

Wahoo 15

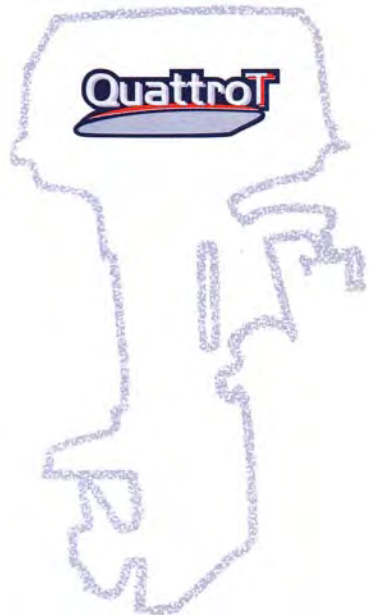
Wahoo 20

Production year 2011

Production année 2011

PARTS CATALOGUE

CATALOGUE DE PIÈCES DÉTACHÉES



ENGINE STARTING SERIAL NUMBER

Wahoo 15 : 1058405

Wahoo 20 : 1072453



FOREWORD

This Parts Catalogue is related to the parts for the model(s) on the cover page. When you are ordering replacement parts, please refer to this Parts Catalogue and quote both part numbers and part names correctly.

1. Modifications or additions which have been made after the issue of the Parts Catalogue will be announced in the Parts News.
It is advisable that you make the necessary corrections to the Parts Catalogue according to the Parts News.

2. Abbreviations

The following abbreviations are used in this Parts Catalogue.

“UR” Use specified parts number.

“UN” Use as many as needed.

“AP” Alternate Parts

“LM” Locally Made (Parts need to be ordered locally)

“F#” Frame No. (Applicable machine No.)

“O/S” Over Size

3. The number of components for assembly

- Parts, which are to be supplied in an assembly, are listed with a dot (.) in front of the part name as shown below.
- The numeral appearing to the right of each component part indicates the quantity of parts for each assembly unit.

PART NO.	DESCRIPTION	Q'TY	REMARKS
2F5-83310-60	FRONT FLASHER LIGHT ASSY	2	
115-83311-60	.BULB (6V-18W)	1	

4. Applicable colours of graphics are represented in the “REMARKS” as shown below.

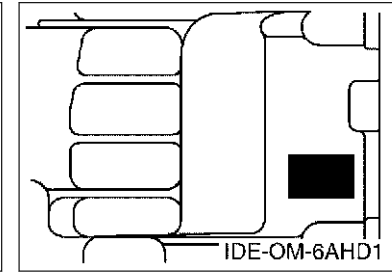
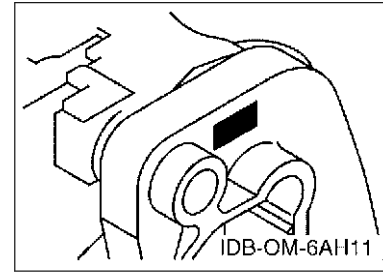
PART NO.	DESCRIPTION	Q'TY	REMARKS
2N4-24110-00-X5	FUEL TANK COMP.	2	MXR
3J1-24240-10	.GRAPHIC, FUEL TANK	1	FOR MXR

5. Note that the illustrations for reference in finding parts numbers are not to be used for assembling. When assembling, please use the applicable service manual.

6. The asterisk (*) before a reference number indicates modified items after the first edition.

7. Applicable Serial No.

Engine Serial No.



8. Applicable Engine Starting Serial No.

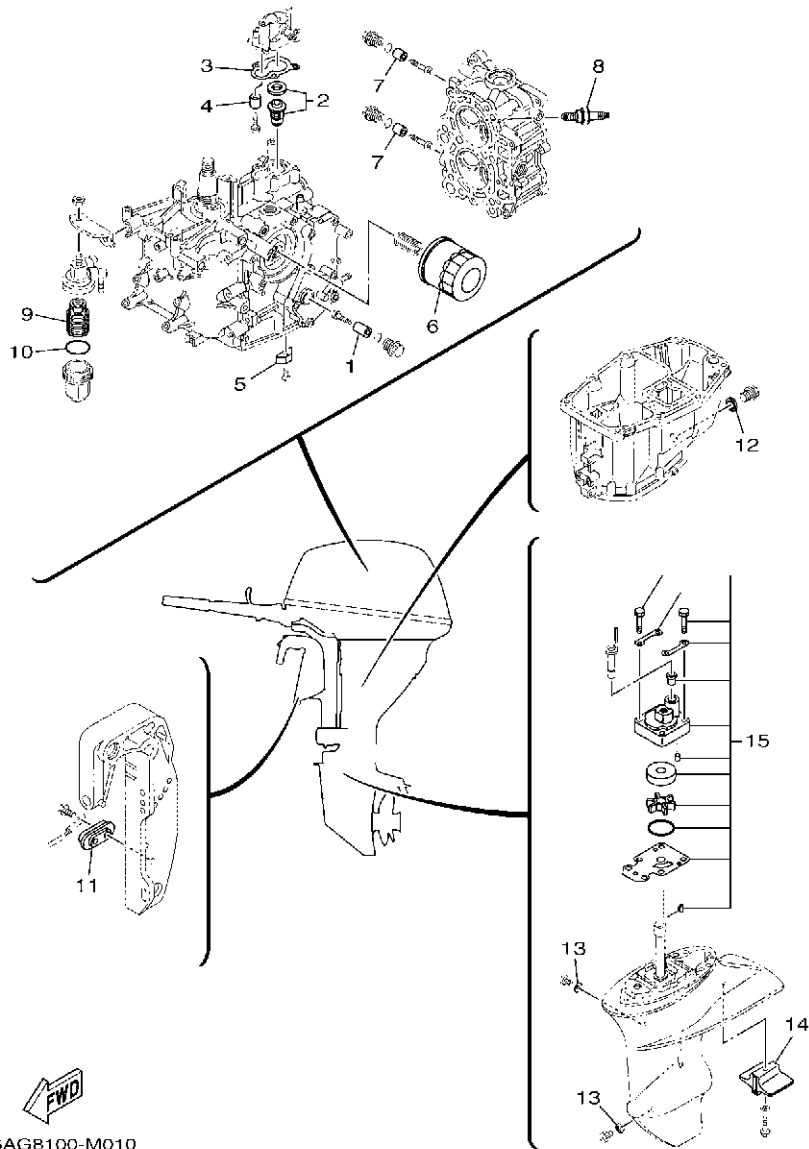
Model	Serial No.	Model	Serial No.
F15C	6AGK-1058405	F20B	6AHK-1072453

9. Applicable Colour Code

Abbreviation	Colour Name	Colour Code
DBN1	DARK BLUISH GRAY 1	008D

10. Quantity Column Information

Column No.	Name Of Q'ty Column	Applicable Model
1	MH	F15CMH,F20BMH
2	EH	F15CEH,F20BEH
3	E	F15CE,F20BE
4	EP	F15CEP,F20BEP



6AG8100-M010

FIG. 1 SCHEDULED SERVICE PARTS

PIECES MAINTENANCE PERIODIQUE

REF. NO.	PART NO. N° PIECES	DESCRIPTION DESCRIPTION	M/H	E/H	U	E	REMARKS REMARQUES
1	6G8-11325-00	ANODE ANODE	1	1	1	1	
2	6AH-12411-00	THERMOSTAT THERMOSTAT	1	1	1	1	
3	6AH-12414-00	GASKET, COVER JOINT, COUVERCLE	1	1	1	1	
4	6G8-11325-00	ANODE ANODE	1	1	1	1	
5	6E5-11325-00	ANODE ANODE	1	1	1	1	
6	5GH-13440-60	ELEMENT ASSY, OIL CLEANER ELEMENT, FILTRE A HUILE	1	1	1	1	
7	6G8-11325-00	ANODE ANODE	2	2	2	2	
8	94702-00418	PLUG, SPARK (NGK DPR6EB-9) BOUGIE D, ALLUMAGE (NGK DPR6EB-9)	2	2	2	2	
9	61N-24563-10	ELEMENT, FILTER ELEMENT, FILTRE	1	1	1	1	
10	93210-32738	O-RING JOINT TORIQUE	1	1	1	1	
11	65W-45251-00	ANODE ANODE				1	
12	90430-14M09	GASKET JOINT	1	1	1	1	
13	90430-08003	GASKET JOINT	2	2	2	2	
14	6AH-45251-00	ANODE ANODE	1	1	1	1	
15	6AH-W0078-01	WATER PUMP REPAIR KIT KIT DE REPARATION DE LA POMPE	1	1	1	1	

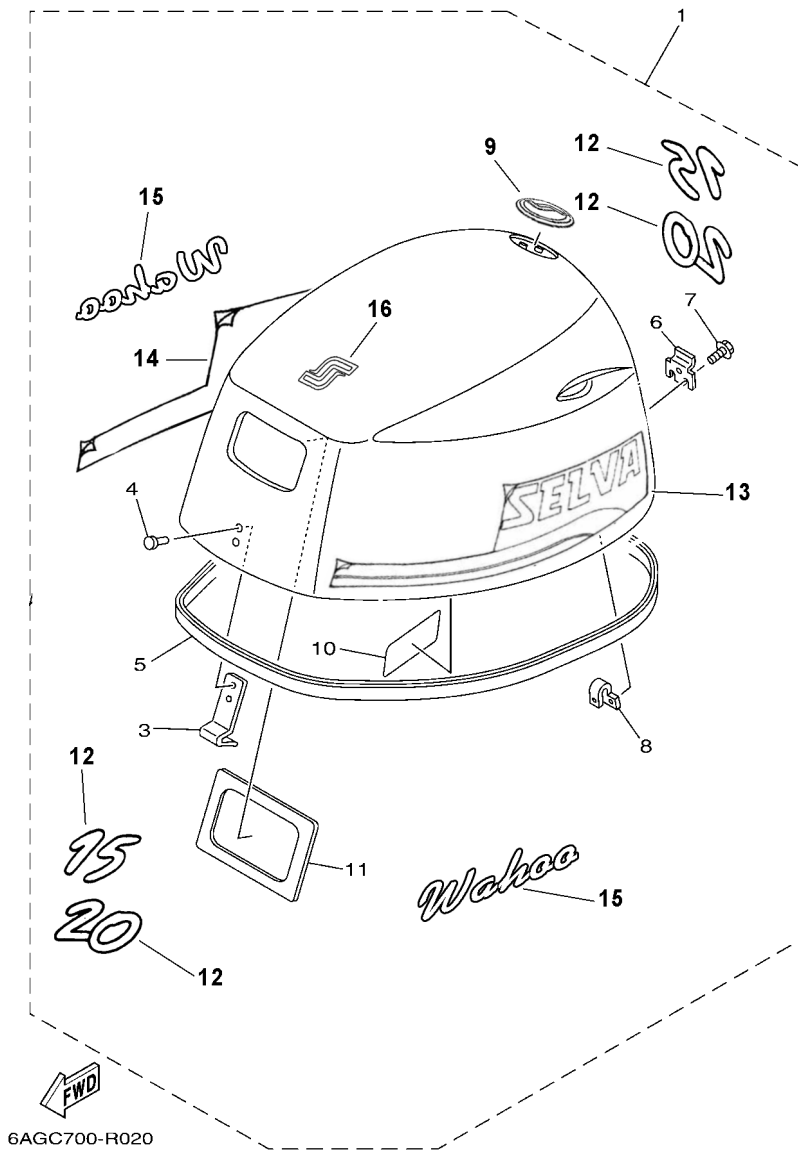
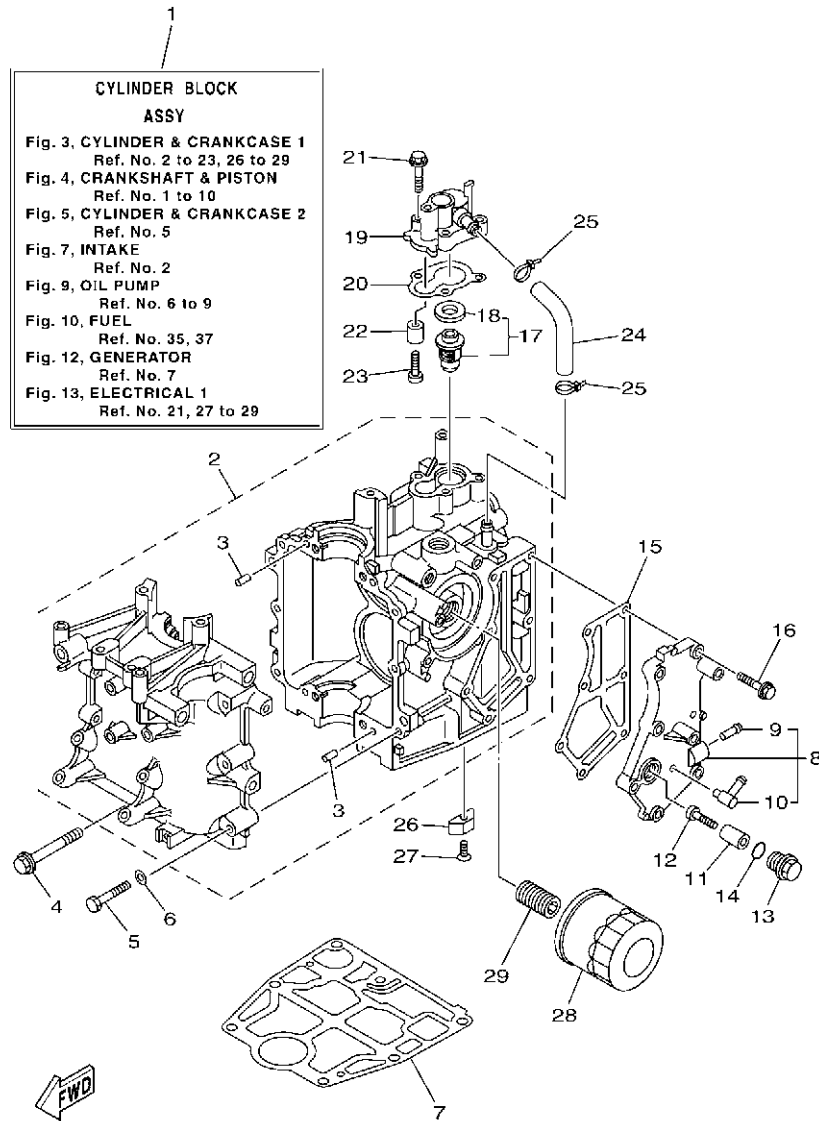


FIG. 2 TOP COWLING

CAPOT SUPERIEUR

REF. NO.	PART NO. N° PIECES	DESCRIPTION DESCRIPTION	M/H	E/H	W	D	REMARKS REMARQUES
1	1504748	TOP COWLING ASSY CAPOT (ENS.)	1				Wahoo 15
	1504752	TOP COWLING ASSY CAPOT (ENS.)	1				Wahoo 20
	1504750	TOP COWLING ASSY CAPOT (ENS.)		1	1	1	Wahoo 15
	1504754	TOP COWLING ASSY CAPOT (ENS.)		1	1	1	Wahoo 20
3	6AH-42651-00	..HOOK ..CROCHET	1	1	1	1	
4	90266-06M02	..RIVET ..RIVET	2	2	2	2	
5	6AH-42615-00	..SEAL ..JOINT	1	1	1	1	
6	60R-42652-00	..HOOK ..CROCHET	1	1	1	1	
7	97595-05514	..BOLT, WITH WASHER ..VIS HEXAGONAL AVC RONDELLE	2	2	2	2	
8	6AH-42649-00	..HOLDER, CLAMP BAND ..SUPPORT, SANDOW DE SERRAGE	1	1	1	1	
9	8093510	..SELVA MARK ..MARQUE, SELVA	1	1	1	1	
10	6AH-42735-00	..PROTECTOR ..PROTECTEUR	1	1	1	1	
11	6AH-42656-00	..PROTECTOR, RUBBER SEAL ..PROTECTEUR, JOINT CAOUTCHOUC	1				
12	8093115	..GRAPHIC, 15 ..ADHESIF, 15	1	2	2	2	
	8093130	..GRAPHIC, 20 ..ADHESIF, 20	1	2	2	2	
13	8093120	..GRAPHIC, LEFT ..ADHESIF, GAUCHE	1	1	1	1	
14	8093125	..GRAPHIC, RIGHT ..ADHESIF, DROIT	1	1	1	1	
15	8093040	..GRAPHIC, WAHOO ..ADHESIF, WAHOO	2	2	2	2	
16	8093516	..GRAPHIC, S ..ADHESIF, S	1	1	1	1	
	1534315	..GRAPHIC, SET ..JEU D'EMBLEMES	1	1	1	1	Wahoo 15
	1534320	..GRAPHIC, SET ..JEU D'EMBLEMES	1	1	1	1	Wahoo 20



6AGD100-S030

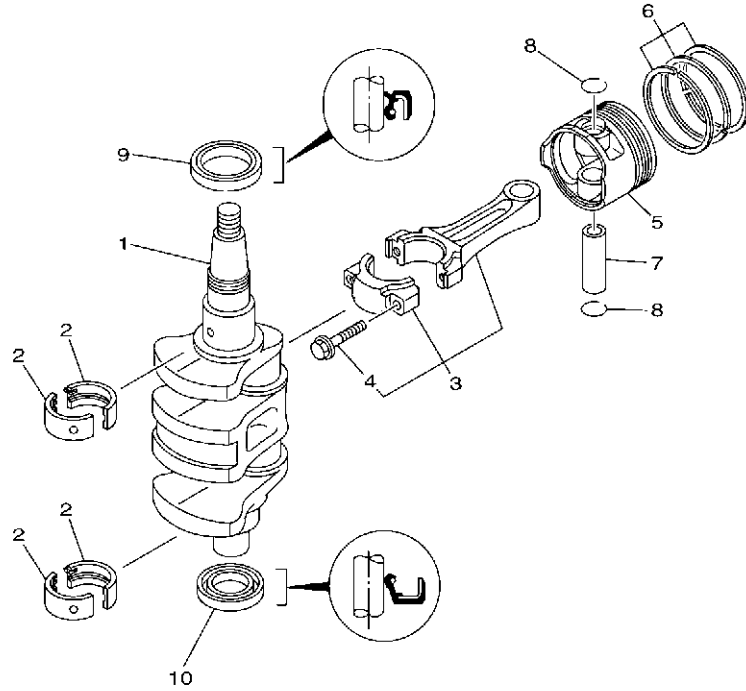
FIG. 3 CYLINDER & CRANKCASE 1

CYLINDRE & CARTER 1

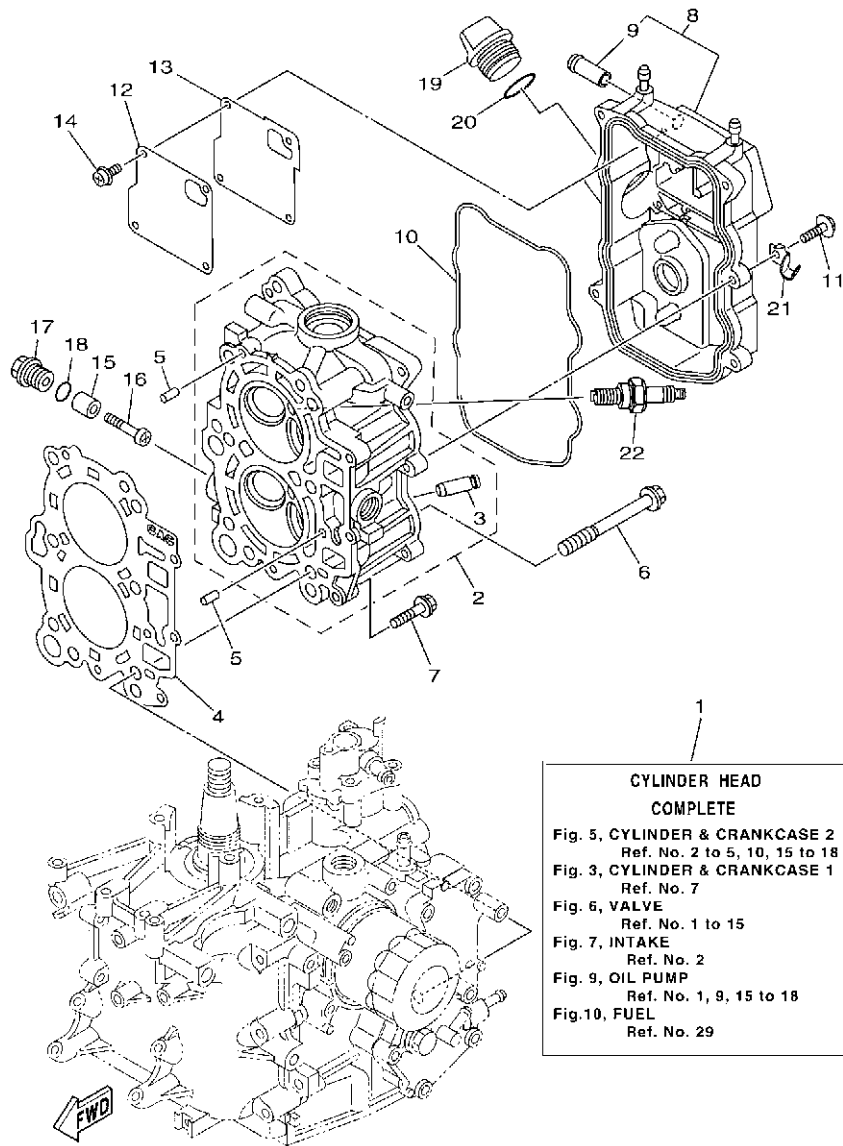
REF. NO.	PART NO. N° PIECES	DESCRIPTION DESCRIPTION	MH	EH	W	CE	REMARKS REMARQUES
1	6AH-W009B-03-1S	CYLINDER BLOCK ASSY CYLINDRE GROUPE (ENS.)	1	1	1	1	
2	6AH-15100-00	CRANKCASE ASSY CARTER DE MOTEUR COMPLET	1	1	1	1	
3	93606-12019	.PIN, DOWEL .GOUILLE	4	4	4	4	
4	90119-08093	BOLT, WITH WASHER BOULON, AVEC RONDELLE	4	4	4	4	
5	97013-06040	BOLT BOULON	6	6	6	6	
6	92903-06600	WASHER, PLATE RONDELLE, PLATE	6	6	6	6	
7	6AH-11351-10	GASKET, CYLINDER JOINT, D'EMBASE	1	1	1	1	
8	6AH-41113-01-1S	OUTER COVER, EXHAUST COUVERCLE, ECHAPPEMENT	1	1	1	1	
9	6E9-24378-00	.PIPE, JOINT 3 .DURITE RACCORDEMENT 3	1	1	1	1	
10	6H1-11372-00	.NIPPLE, HOSE .RACCORD, TUYAU	1	1	1	1	
11	6G8-11325-00	ANODE ANODE	1	1	1	1	
12	98980-05025	SCREW, BIND VIS, DE PRESSION	1	1	1	1	
13	6G8-11197-A0	PLUG, BLIND PLOT, BORGNE	1	1	1	1	
14	93210-13M63	O-RING JOINT TORIQUE	1	1	1	1	
15	6AH-41114-00	GASKET, EXHAUST OUTER COVER JOINT, COUVERCLE D'ECHAPPEMENT	1	1	1	1	
16	90119-06MA3	BOLT, WITH WASHER BOULON, AVEC RONDELLE	7	7	7	7	
17	6AH-12411-00	THERMOSTAT THERMOSTAT	1	1	1	1	
18	688-12412-00	.SEAL, THERMOSTAT .JOINT, THERMOSTAT	1	1	1	1	
19	6AH-12413-00-1S	COVER, THERMOSTAT COUVERCLE, THERMOSTAT	1	1	1	1	
20	6AH-12414-00	GASKET, COVER JOINT, COUVERCLE	1	1	1	1	
21	90119-06MA3	BOLT, WITH WASHER BOULON, AVEC RONDELLE	3	3	3	3	
22	6G8-11325-00	ANODE ANODE	1	1	1	1	
23	98980-05025	SCREW, BIND VIS, DE PRESSION	1	1	1	1	
24	6AH-12481-00	PIPE 1 DURITE 1	1	1	1	1	
25	90465-11M10	CLAMP BRIDE	2	2	2	2	
26	6E5-11325-00	ANODE ANODE	1	1	1	1	
27	98780-04016	SCREW, FLAT HEAD VIS A TETE FRAISEE	1	1	1	1	

FIG. 4 CRANKSHAFT & PISTON

VILEBREQUIN & PISTON



REF. NO.	PART NO. N° PIECES	DESCRIPTION DESCRIPTION	MHT	ÉT	W	ÉT	REMARKS REMARQUES
1	6AH-11411-00	CRANKSHAFT VILEBREQUIN COMPLET	1	1	1	1	
2	6AH-11416-00	PLANE BEARING, CRANKSHAFT 1 COUSSINET DE VILEBREQUIN 1	4	4	4	4	UR BLUE UR BLUE
	6AH-11416-10	PLANE BEARING, CRANKSHAFT 1 COUSSINET DE VILEBREQUIN 1	4	4	4	4	UR BLACK UR BLACK
	6AH-11416-20	PLANE BEARING, CRANKSHAFT 1 COUSSINET DE VILEBREQUIN 1	4	4	4	4	UR BROWN UR BROWN
3	6AH-11650-10	CONNECTING ROD ASSY BIELLE COMPLETE	2	2	2	2	
4	6AH-11654-00	.BOLT, CONNECTING ROD .BOULON, BIELLE	2	2	2	2	
5	6AH-11631-00	PISTON (STD) PISTON (STD)	2	2	2	2	
	6AH-11635-00	PISTON (0.25MM O/S) PISTON (0.25MM O/S)	2	2	2	2	AP AP
	6AH-11636-00	PISTON (0.50MM O/S) PISTON (0.50MM O/S)	2	2	2	2	AP AP
6	6AH-11603-00	PISTON RING SET (STD) JEU DE SEGMENTS (STD)	2	2	2	2	
	6AH-11604-00	PISTON RING SET (0.25MM O/S) JEU DE SEGMENTS (0.25MM O/S)	2	2	2	2	AP AP
	6AH-11605-00	PISTON RING SET (0.50MM O/S) JEU DE SEGMENTS (0.50MM O/S)	2	2	2	2	AP AP
7	137-11633-10	PIN, PISTON AXE, PISTON	2	2	2	2	
8	93450-17129	CIRCLIP CIRCLIP	4	4	4	4	
9	93102-37004	OIL SEAL JOINT SPY	1	1	1	1	
10	93102-25014	OIL SEAL JOINT SPY	1	1	1	1	

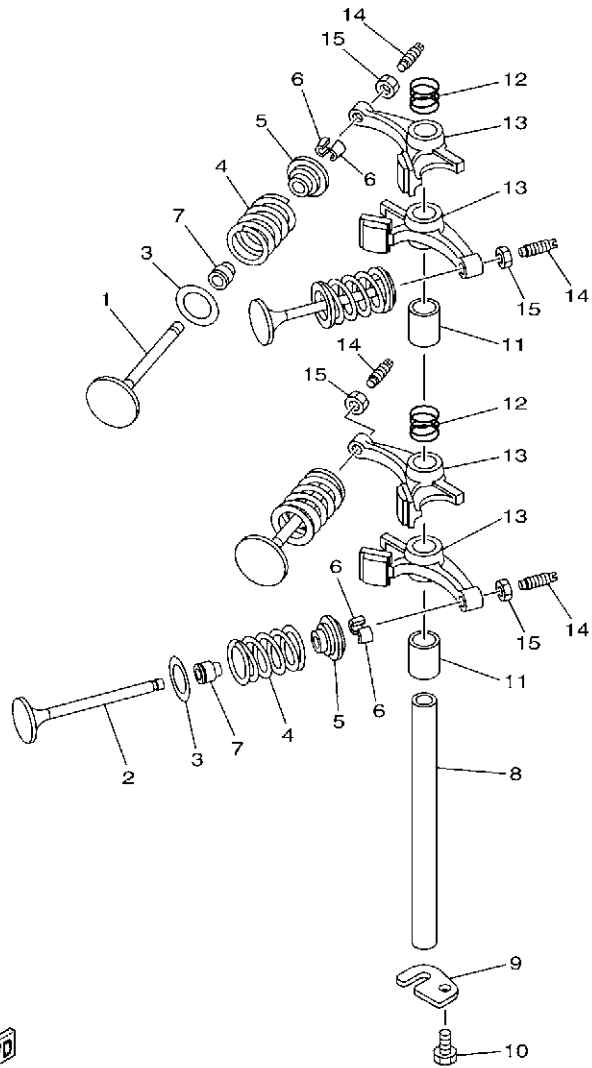


6AGD100-S050

FIG. 5 CYLINDER & CRANKCASE 2

CYLINDRE & CARTER 2

REF. NO.	PART NO. N° PIECES	DESCRIPTION DESCRIPTION	M/H	U/T	L	R	REMARKS REMARQUES
1	6AH-W009A-01-1S	CYLINDER HEAD COMPLETE CULASSE (ENS.)	1	1	1	1	
2	6AH-11111-10-1S	HEAD, CYLINDER 1 CULASSE, 1	1	1	1	1	
3	6AH-11133-10	.GUIDE, VALVE 1 .GUIDE, SOUPAPE 1	4	4	4	4	
4	6AG-11181-10	GASKET, CYLINDER HEAD 1 JOINT, DE CULASSE 1	1	1	1	1	
5	93606-12019	PIN, DOWEL GOUPILLE	2	2	2	2	
6	90105-09006	BOLT, FLANGE BOULON, A COLLERETTE	6	6	6	6	
7	90119-06MA3	BOLT, WITH WASHER BOULON, AVEC RONDELLE	3	3	3	3	
8	6AH-11191-00-1S	COVER, CYLINDER HEAD 1 COUVERCLE, CULASSE 1	1	1	1	1	
9	6AH-11372-00	.NIPPLE, HOSE .RACCORD, TUYAU	1	1	1	1	
10	6AH-11356-00	SEAL, CYLINDER 2 JOINT, SPY CYLINDRE	1	1	1	1	
11	97E95-06520	BOLT, HEXAGON W/W DEEP RECESS VIS HEXAGONAL AVC RONDELLE	5	5	5	5	
12	6AH-11168-00	COVER, BREATHER COUVERCLE, RENIFLARD	1	1	1	1	
13	6AH-11169-00	GASKET, BREATHER COVER JOINT, COUVERCLE DE RENIFLARD	1	1	1	1	
14	97607-04210	SCREW, WITH WASHER VIS, AVEC RONDELLE	4	4	4	4	
15	6G8-11325-00	ANODE	2	2	2	2	
16	98980-05025	SCREW, BIND VIS, DE PRESSION	2	2	2	2	
17	6G8-11197-A0	PLUG, BLIND PLOT, BORGNE	2	2	2	2	
18	93210-13M63	O-RING JOINT TORIQUE	2	2	2	2	
19	6G8-15363-00	PLUG, OIL PLOT, HUILE	1	1	1	1	
20	93210-24M79	O-RING JOINT TORIQUE	1	1	1	1	
21	90465-08059	CLAMP BRIDE	1	1	1	1	
22	94702-00418	PLUG, SPARK (NGK DPR6EB-9) BOUGIE D, ALLUMAGE (NGK DPR6EB-	2	2	2	2	




 6AH1100-F050

FIG. 6 VALVE

SOUPAPE

REF. NO.	PART NO. N° PIECES	DESCRIPTION DESCRIPTION	MFT	U	W	U	REMARKS REMARQUES
1	6AH-12111-00	VALVE, INTAKE SOUPAPE, ADMISSION	2	2	2	2	
2	6AH-12121-10	VALVE, EXHAUST SOUPAPE, ECHAPPEMENT	2	2	2	2	
3	62Y-12116-00	SEAT, VALVE SPRING SIEGE, RESSORT DE SOUPAPE	4	4	4	4	
4	3YF-12113-00	SPRING, VALVE INNER RESSORT DE SOUPAPE, INTERNE	4	4	4	4	
5	30X-12117-00	RETAINER, VALVE SPRING BUTEE DE RESSORT DE SOUPAPE	4	4	4	4	
6	30X-12118-00	LOCK, VALVE SPRING RETAINER FRAISE, SOUPAPE	8	8	8	8	
7	51Y-12119-00	SEAL, VALVE STEM JOINT, QUEUE DE SOUPAPE	4	4	4	4	
8	66M-12146-00	SHAFT, ROCKER AXE, CULBUTEUR	1	1	1	1	
9	6AH-12279-00	PLATE PLAQUE	1	1	1	1	
10	97013-06012	BOLT BOULON	1	1	1	1	
11	90387-13006	COLLAR COLLERETTE	2	2	2	2	
12	90501-120A5	SPRING, COMPRESSION RESSORT, COMPRESSION	2	2	2	2	
13	6AH-12151-00	ARM, VALVE ROCKER CULBUTEUR	4	4	4	4	
14	64J-12159-00	SCREW, VALVE ADJUSTING VIS, REGLAGE DE SOUPAPE	4	4	4	4	
15	62Y-12158-00	NUT, LOCK CONTRE-ECROU	4	4	4	4	

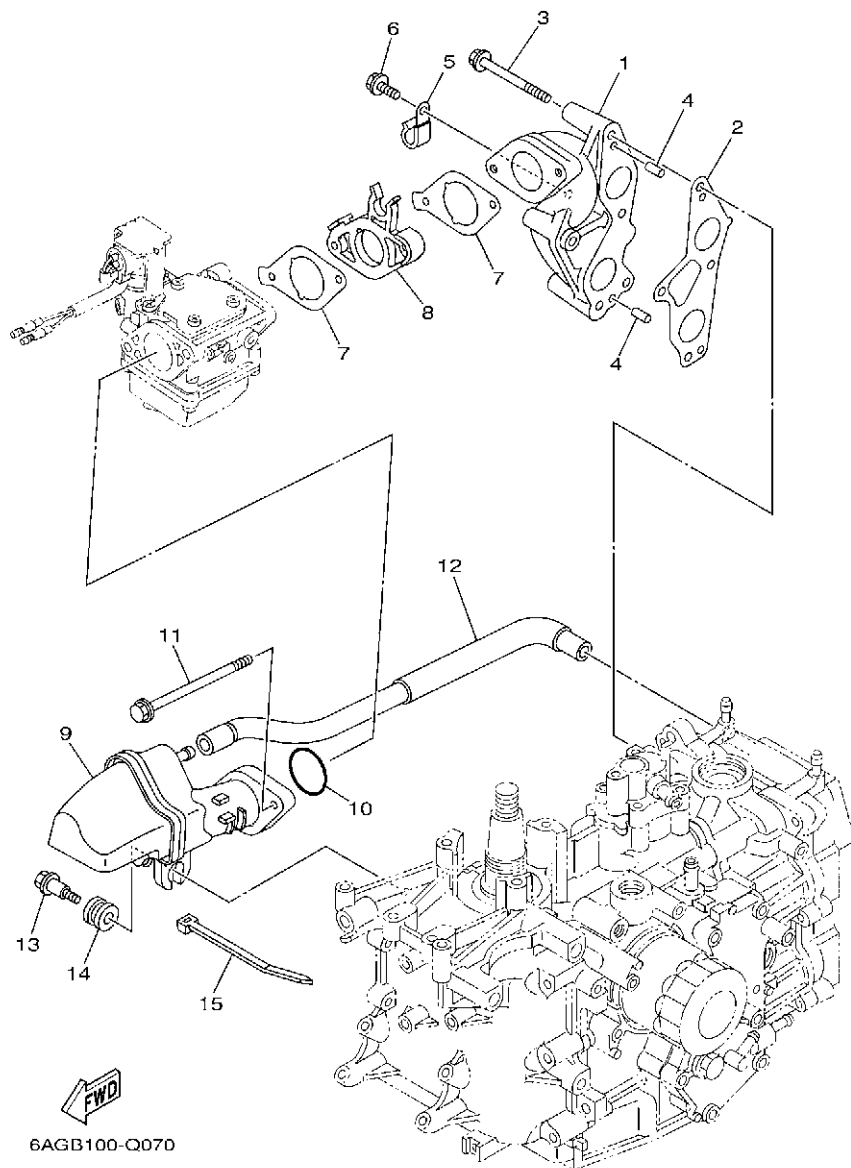


FIG. 7 INTAKE

ADMISSION

REF. NO.	PART NO. N° PIECES	DESCRIPTION DESCRIPTION	M/F	L/R	L	R	REMARKS REMARQUES
1	6AH-13641-00-94	MANIFOLD, INTAKE 1 TUBULURE, ADMISSION 1	1	1	1	1	
2	6AH-13645-00	GASKET, MANIFOLD 1 JOINT, TUBULURE 1	1	1	1	1	
3	97E95-06555	BOLT, HEXAGON W/W DEEP RECESS VIS HEXAGONAL AVC RONDELLE	4	4	4	4	
4	91690-50014	PIN, SPRING AGRAFFE	2	2	2	2	
5	90465-08M83	CLAMP BRIDE	2	2	2	2	
6	97E95-06512	BOLT, HEXAGON W/W DEEP RECESS VIS HEXAGONAL AVC RONDELLE	2	2	2	2	
7	6AH-13646-00	GASKET, MANIFOLD 2 JOINT, TUBULURE 2	2	2	2	2	
8	6AH-14271-00	INSULATOR ISOLATEUR	1	1	1	1	
9	6AH-14440-00	SILENCER ASSY, INTAKE SIENCIEUX D'ADMISSION	1	1	1	1	
10	93210-35M86	O-RING JOINT TORIQUE	1	1	1	1	
11	95D95-06100	BOLT, FLANGE DEEP RECESS BOULON FIXATION	2	2	2	2	
12	6AH-15373-00	PIPE, BREATHER DURITE DE RENIFLARD	1	1	1	1	
13	90109-06MA1	BOLT BOULON	1	1	1	1	
14	90480-16616	GROMMET PASSE-FIL	1	1	1	1	
15	90465-13M18	CLAMP BRIDE	1	1	1	1	

6BY2280-J070

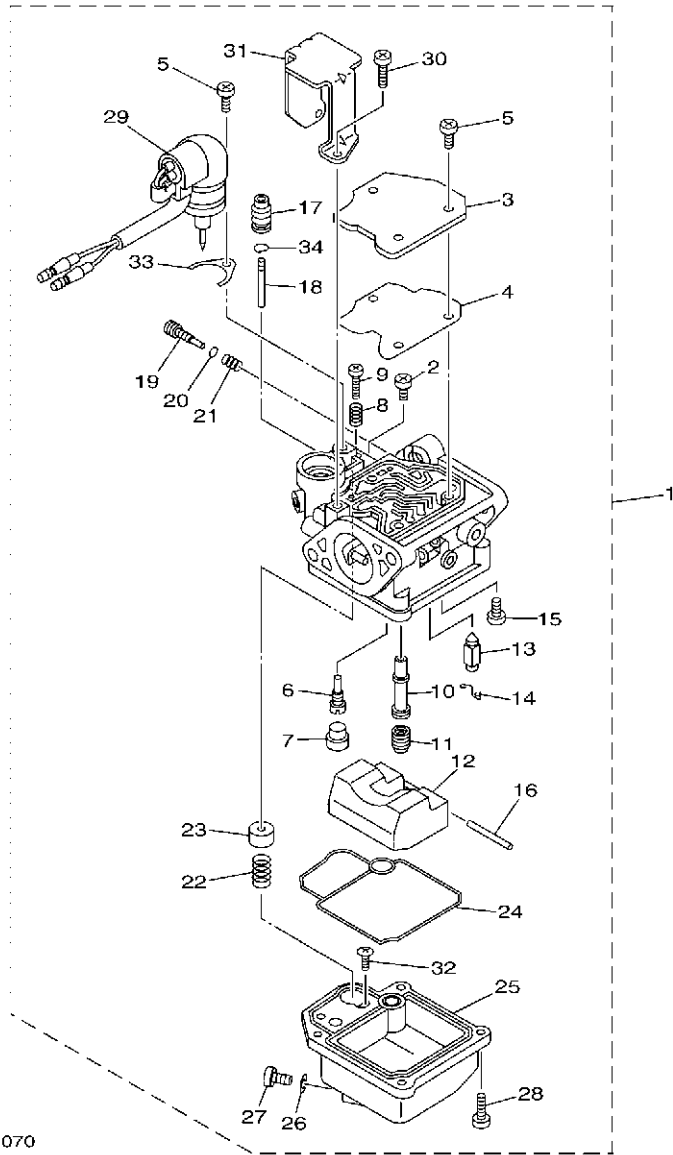
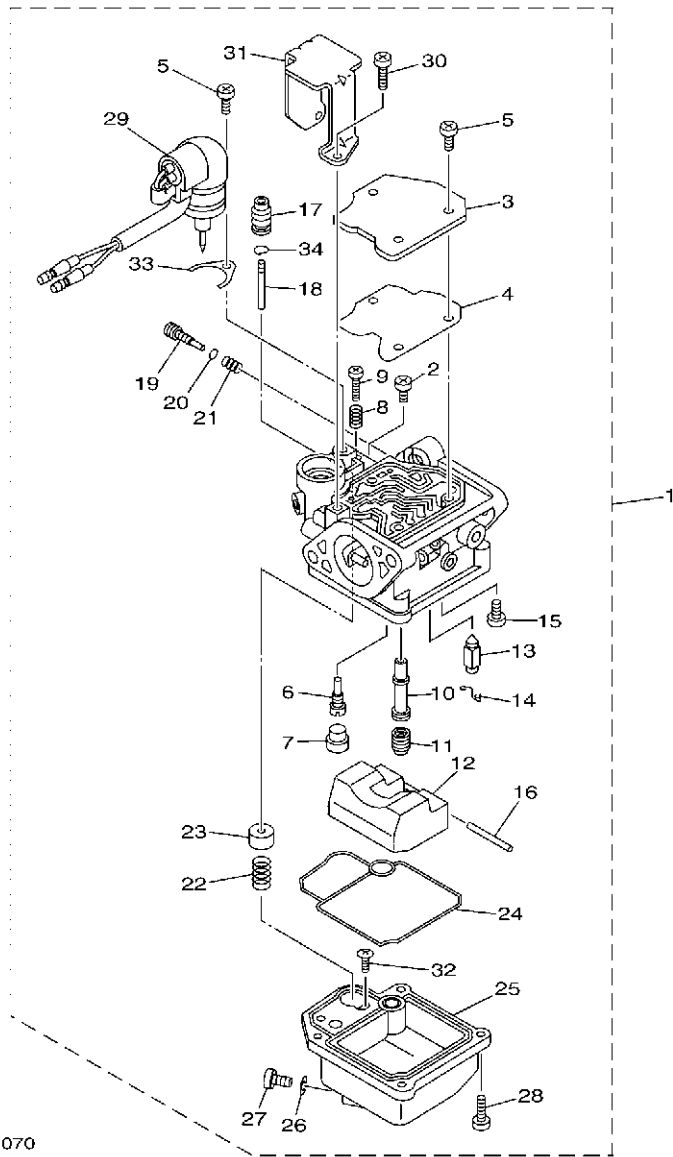


FIG. 8 CARBURETOR

CARBURATEUR

REF. NO.	PART NO. N° PIECES	DESCRIPTION DESCRIPTION	MH	EH	E	EH	REMARKS REMARQUES
1	6AH-14301-B0	CARBURETOR ASSY 1 CARBURATEUR COMPLET 1	1				F20B F20B
	6AG-14301-J0	CARBURETOR ASSY 1 CARBURATEUR COMPLET 1	1				F15C F15C
	6AH-14301-F0	CARBURETOR ASSY 1 CARBURATEUR COMPLET 1		1	1	1	F20B F20B
	6AG-14301-K0	CARBURETOR ASSY 1 CARBURATEUR COMPLET 1		1	1	1	F15C F15C
2	98580-04006	.SCREW, PAN HEAD .VIS	1	1	1	1	
3	65W-14572-00	.PLATE .PLAQUE	1	1	1	1	
4	65W-14126-10	.GASKET .JOINT	1	1	1	1	
5	97980-04110	.SCREW, WITH WASHER .VIS, AVEC RONDELLE	4	4	4	4	
6	6AG-14948-05	.JET (#45) .GICLEUR (#45)	1				FOR 6AH-14301-B0 FOR 6AH-14301-B0
6	6AG-14948-02	.JET (#38) .GICLEUR (#38)	1				FOR 6AG-14301-J0 FOR 6AG-14301-J0
6	676-14948-05	.JET (#45) .GICLEUR (#45)		1	1	1	FOR 6AH-14301-F0 FOR 6AH-14301-F0
6	6AH-14948-02	.JET (#38) .GICLEUR (#38)		1	1	1	FOR 6AG-14301-K0 FOR 6AG-14301-K0
7	679-14966-00	.RUBBER CAP .CAPUCHON	1	1	1	1	
8	90501-10326	.SPRING, COMPRESSION .RESSORT, COMPRESSION	1	1	1	1	
9	63V-14523-00	.SCREW, STOP .VIS, BUTEE	1	1	1	1	
10	6AH-14947-00	.JET, NEEDLE .GICLEUR DE STARTER	1	1	1	1	F20B F20B
	6AH-14947-10	.JET, NEEDLE .GICLEUR DE STARTER	1	1	1	1	F15C F15C
11	65W-14943-29	.JET, MAIN (#112) .GICLEUR, PRINCIPAL (#112)	1	1	1	1	F20B F20B
	676-14943-19	.JET, MAIN (#80) .GICLEUR, PRINCIPAL (#80)	1	1	1	1	F15C F15C
12	6AH-14985-00	.FLOAT .FLOTTEUR	1	1	1	1	
13	6AH-14546-00	.VALVE, NEEDLE .POINTEAU	1	1	1	1	
14	633-14159-00	.CLIP .JONC	1	1	1	1	
15	98580-04008	.SCREW, PAN HEAD .VIS	1	1	1	1	
16	6H4-14548-00	.PIN, FLOAT ARM .AXE, BRAS DE FLOTTEUR	1	1	1	1	
17	65W-14373-02	.COVER, PLUNGER CAP .COUVERCLE DE PLONGEUR	1	1	1	1	
18	6AH-14379-10	.ROD, STARTER .TRINGLE, STARTER	1	1	1	1	F20B F20B
	6AH-14379-00	.ROD, STARTER .TRINGLE, STARTER	1	1	1	1	F15C F15C

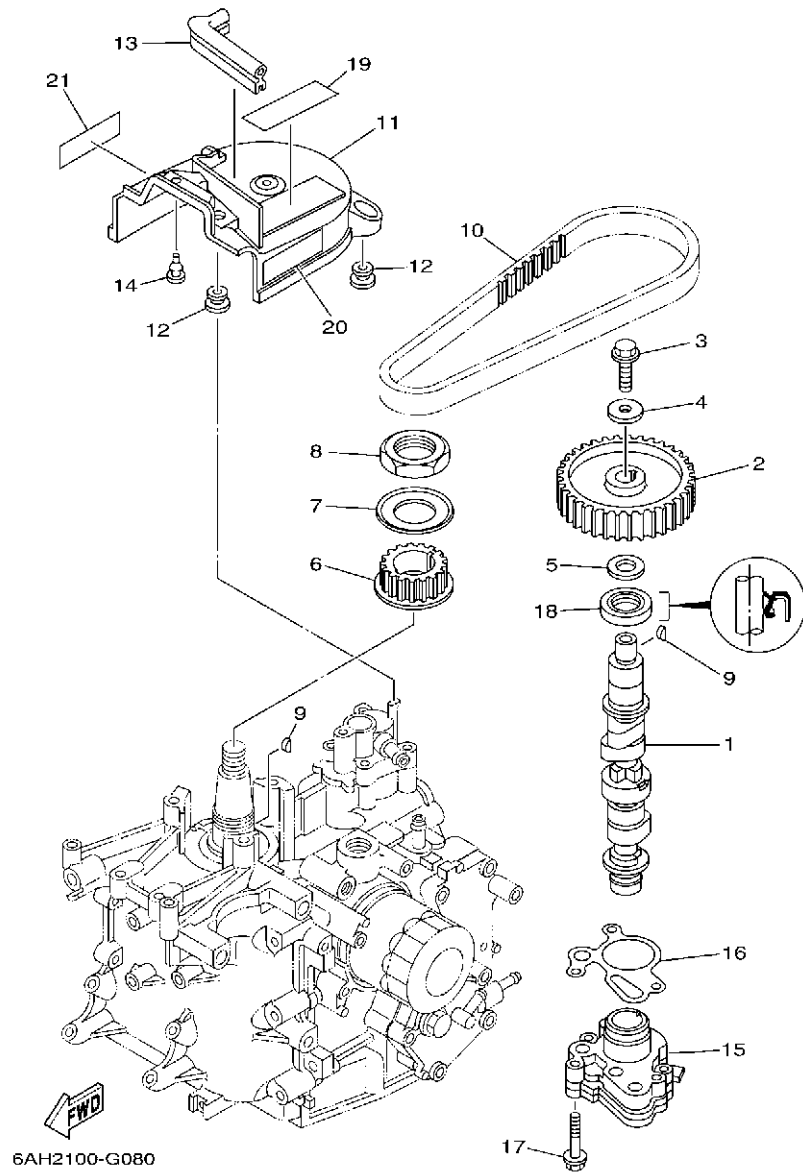


6BY2280-J070

FIG. 8 CARBURETOR

CARBURATEUR

REF. NO.	PART NO. N° PIECES	DESCRIPTION DESCRIPTION	M/H	E/H	U	E	REMARKS REMARQUES
19	6AH-14923-20	.SCREW, PILOT .VIS, RALENTI	1	1	1	1	
20	67F-14398-10	.O-RING .JOINT TORIQUE	1	1	1	1	
21	67C-14555-00	.SPRING .RESSORT	1	1	1	1	
22	6AH-14335-00	.SPRING, PLUNGER .RESSORT, PLONGEUR	1	1	1	1	F20B F20B
	65W-14335-00	.SPRING, PLUNGER .RESSORT, PLONGEUR	1	1	1	1	F15C F15C
23	6AH-14371-00	.PLUNGER, STARTER .PLONGEUR, STARTER	1	1	1	1	
24	6AH-14384-00	.GASKET, FLOAT CHAMBER .JOINT, CUVE DE FLOTTEUR	1	1	1	1	
25	6AH-14980-00	.BODY, FLOAT CHAMBER .CORPS, CUVE DE FLOTTEUR	1	1	1	1	
26	65W-14398-00	.GASKET .JOINT	1	1	1	1	
27	65W-14992-00	.SCREW, DRAIN .BOUCHON, PURGE	1	1	1	1	
28	97980-04114	.SCREW, WITH WASHER .VIS, AVEC RONDELLE	4	4	4	4	
29	6AH-14380-01	.PRIME STARTER ASSY .STARTER AUTOMATIQUE	1				M-SPEC M-SPEC
	6AH-14380-11	.PRIME STARTER ASSY .STARTER AUTOMATIQUE		1	1	1	E-SPEC E-SPEC
30	97980-04108	.SCREW, WITH WASHER .VIS, AVEC RONDELLE	2	2	2	2	
31	6AH-14346-00	.PLATE .PLAQUE	1	1	1	1	
32	67C-14567-00	.SCREW .VIS	1	1	1	1	
33	65W-14346-00	.PLATE .PLAQUE	1	1	1	1	
34	65W-1439G-00	.CLIP 1 .JONC 1	1	1	1	1	



6AH2100-G080

FIG. 9 OIL PUMP

POMPE A HUILE

REF. NO.	PART NO. N° PIECES	DESCRIPTION DESCRIPTION	M/H	E/H	L	E	REMARKS REMARQUES
1	6AH-12170-00	CAMSHAFT ASSY 1 ENS ARBRE A CAMES 1	1	1	1	1	
2	6AH-11537-01	GEAR, DRIVEN PIGNON SECONDAIRE	1	1	1	1	
3	90105-081A7	BOLT, FLANGE BOULON, A COLLERETTE	1	1	1	1	
4	90201-08784	WASHER, PLATE RONDELLE, PLATE	1	1	1	1	
5	90201-15423	WASHER, PLATE RONDELLE, PLATE	1	1	1	1	
6	6AH-11536-00	GEAR, DRIVE ENGRENAGE, MENANT	1	1	1	1	
7	6AH-11557-00	WASHER 1 RONDELLE 1	1	1	1	1	
8	90170-30003	NUT ECROU	1	1	1	1	
9	90280-03M01	KEY, WOODRUFF CLAVETTE, DEMI-LUNE	2	2	2	2	
10	6AH-46241-00	BELT COURROIE TRAPEZOIDALE	1	1	1	1	
11	6AH-46297-00	COVER, DUST COUVERCLE, POUSSIERE	1	1	1	1	
12	90480-10627	GROMMET PASSE-FIL	3	3	3	3	
13	6AH-42617-00	DAMPER, FORM BOURRELET, CAOUTCHOUC	1	1	1	1	
14	90480-06M19	GROMMET PASSE-FIL	1	1	1	1	
15	6AH-13300-00	OIL PUMP ASSY POMPE A HUILE COMPLETE	1	1	1	1	
16	6AH-13329-10	GASKET, PUMP COVER JOINT, COUVERCLE DE POMPE	1	1	1	1	
17	90105-06035	BOLT, FLANGE BOULON, A COLLERETTE	3	3	3	3	
18	93102-22010	OIL SEAL JOINT SPY	1	1	1	1	
19	6AH-13437-61	MARK, CAUTION MAKER	1	1	1	1	
20	6EE-81994-40	LABEL, SAFETY ETIQUETTE, SECURITE	1	1	1	1	
21	6EE-81994-50	LABEL, SAFETY ETIQUETTE, SECURITE	1	1	1	1	

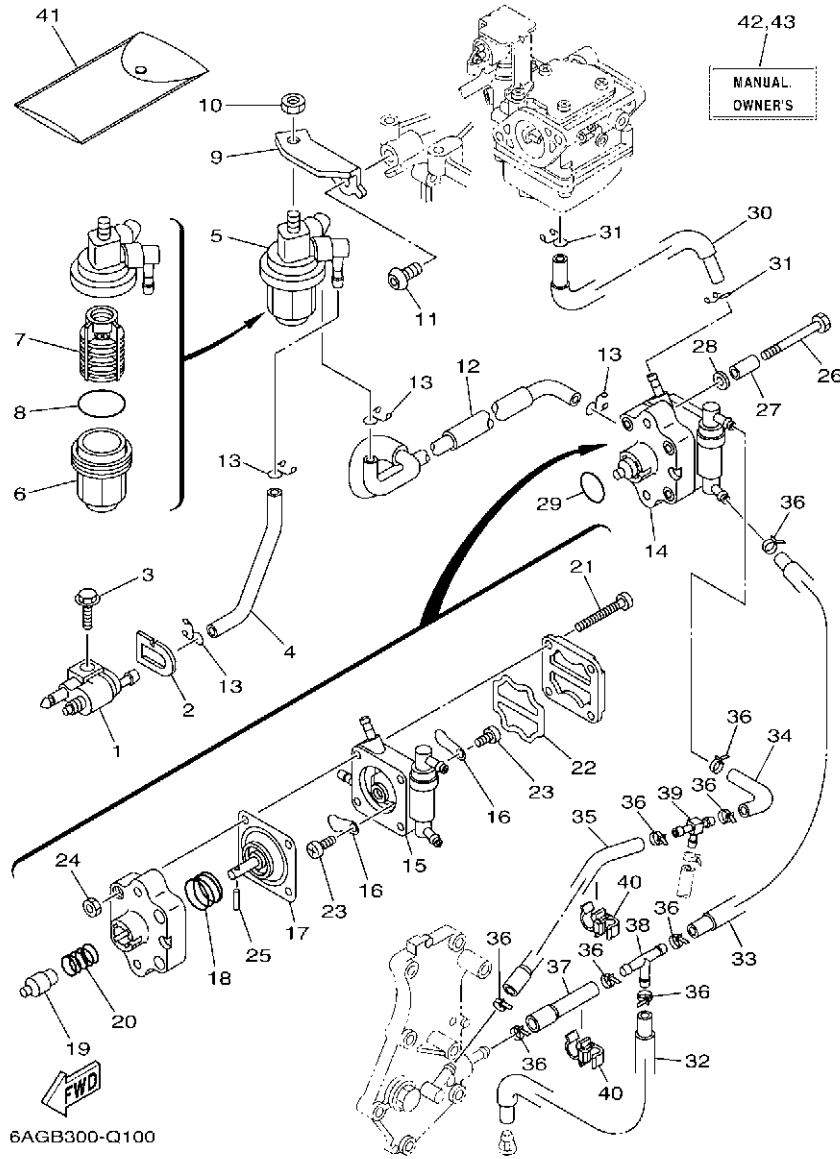


FIG. 10 FUEL

CARBURANT

REF. NO.	PART NO. N° PIECES	DESCRIPTION DESCRIPTION	M/H	U/T	L	U	REMARKS REMARQUES
1	6G1-24304-10	FUEL PIPE JOINT COMP. 1 DURITE RACCORDEMT. A ESSENCE	1	1	1	1	
2	61N-24329-00	SEAL JOINT	1	1	1	1	
3	95D95-06020	BOLT, FLANGE DEEP RECESS BOULON FIXATION	1	1	1	1	
4	6AH-24311-00	PIPE, FUEL 1 DURITE A ESSENCE	1	1	1	1	
5	61N-24560-10	FILTER ASSY ENS FILTRE	1	1	1	1	
6	61N-24521-00	.CUP, FILTER .CUVETTE, FILTRE	1	1	1	1	
7	61N-24563-10	.ELEMENT, FILTER .ELEMENT, FILTRE	1	1	1	1	
8	93210-32738	.O-RING .JOINT TORIQUE	1	1	1	1	
9	6AH-24566-00	BRACKET, FILTER SUPPORT, FILTRE	1	1	1	1	
10	95380-08600	NUT ECROU	1	1	1	1	
11	90111-08055	BOLT, HEX. SOCKET BUTTON BOULON	1	1	1	1	
12	6AH-24312-00	PIPE 2 DURITE 2	1	1	1	1	
13	90467-09M17	CLIP JONC	4	4	4	4	
14	6AH-24410-00	FUEL PUMP ASSY POMPE A ESSENCE	1	1	1	1	
15	6AH-24413-00	.BODY 2 .CORPS 2	1	1	1	1	
16	6A0-24421-01	.VALVE, CHECK .SOUPAPE, RETENUE	2	2	2	2	
17	66M-24411-11	.DIAPHRAGM .DIAPHRAGME	1	1	1	1	
18	66M-24423-00	.SPRING, DIAPHRAGM .RESSORT, DIAPHRAGME	1	1	1	1	
19	66M-13131-10	.PLUNGER .PLONGEUR	1	1	1	1	
20	66M-24454-00	.SPRING .RESSORT	1	1	1	1	
21	66M-24444-00	.SCREW .VIS	4	4	4	4	
22	66M-24471-01	.DIAPHRAGM .DIAPHRAGME	1	1	1	1	
23	6E7-14325-00	.SCREW, PAN HEAD .VIS TETE CONIQUE	2	2	2	2	
24	95380-04600	.NUT .ECROU	4	4	4	4	
25	66M-24374-00	.PIN .GOUPILLE	1	1	1	1	
26	90101-06032	BOLT BOULON	2	2	2	2	
27	90387-06M17	COLLAR COLLERETTE	2	2	2	2	

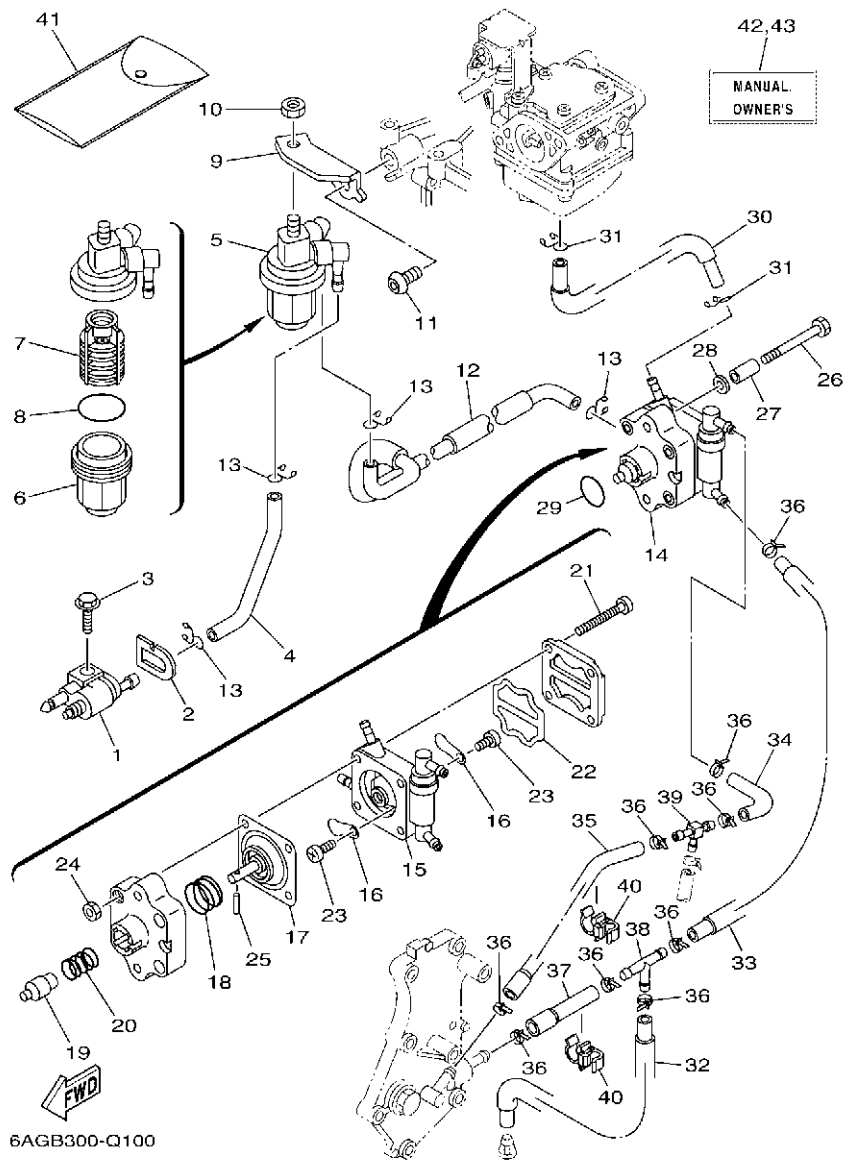
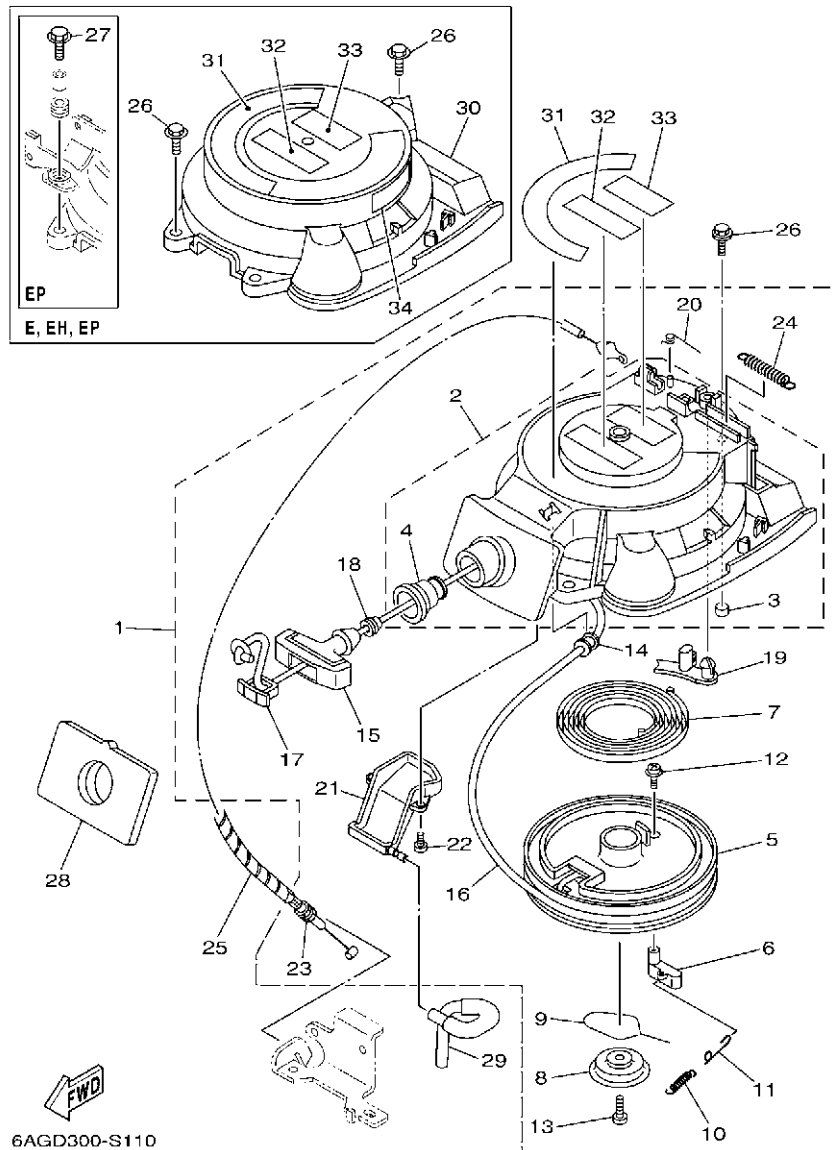


FIG. 10 FUEL

CARBURANT

REF. NO.	PART NO. N° PIECES	DESCRIPTION DESCRIPTION	MFT	LT	W	LT	REMARKS REMARQUES
28	90201-06106	WASHER, PLATE RONDELLE, PLATE	2	2	2	2	
29	93210-20M65	O-RING JOINT TORIQUE	1	1	1	1	
30	6AH-24313-00	PIPE 3 DURITE 3	1	1	1	1	
31	90467-09M17	CLIP JONC	2	2	2	2	
32	6AH-24321-00	PIPE 10 DURITE 10	1	1	1	1	
33	6AH-24322-00	PIPE 11 DURITE 11	1	1	1	1	
34	90445-09026	HOSE (L68) DURITE (L68)	1	1	1	1	
35	6AH-24323-00	PIPE 12 DURITE 12	1	1	1	1	
36	90465-11M10	CLAMP BRIDE	9	9	9	9	
37	6AH-24324-00	PIPE 13 DURITE 13	1	1	1	1	
38	688-24378-00	PIPE, JOINT 3 DURITE RACCORDEMENT 3	1	1	1	1	
39	6C5-24378-00	PIPE, JOINT 3 DURITE RACCORDEMENT 3	1	1	1	1	
40	90464-09018	CLAMP BRIDE	2	2	2	2	
41	62Y-28100-00	TOOL KIT TROUSSE A OUTILS	1	1	1	1	AP AP
42	6AG-28199-7E-E0	MANUAL, OWNER'S MANUEL D'UTILISATION	1	1	1	1	UR (E) UR (E)
	6AG-28199-7E-F0	MANUAL, OWNER'S MANUEL D'UTILISATION	1	1	1	1	UR (F) UR (F)
	6AG-28199-7E-S0	MANUAL, OWNER'S MANUEL D'UTILISATION	1	1	1	1	UR (ES) UR (ES)
	6AG-28199-7E-G0	MANUAL, OWNER'S MANUEL D'UTILISATION	1	1	1	1	UR (D) UR (D)
	6AG-28199-7E-D0	MANUAL, OWNER'S MANUEL D'UTILISATION	1	1	1	1	UR (NL) UR (NL)
	6AG-28199-7E-H0	MANUAL, OWNER'S MANUEL D'UTILISATION	1	1	1	1	UR (I) UR (I)
43	6AG-28199-8E-K0	MANUAL, OWNER'S MANUEL D'UTILISATION	1	1	1	1	UR (DK) UR (DK)
	6AG-28199-8E-R0	MANUAL, OWNER'S MANUEL D'UTILISATION	1	1	1	1	UR (GR) UR (GR)
	6AG-28199-8E-P0	MANUAL, OWNER'S MANUEL D'UTILISATION	1	1	1	1	UR (P) UR (P)
	6AG-28199-8E-N0	MANUAL, OWNER'S MANUEL D'UTILISATION	1	1	1	1	UR (N) UR (N)
	6AG-28199-8E-M0	MANUAL, OWNER'S MANUEL D'UTILISATION	1	1	1	1	UR (S) UR (S)
	6AG-28199-8E-L0	MANUAL, OWNER'S MANUEL D'UTILISATION	1	1	1	1	UR (SF) UR (SF)



6AGD300-S110

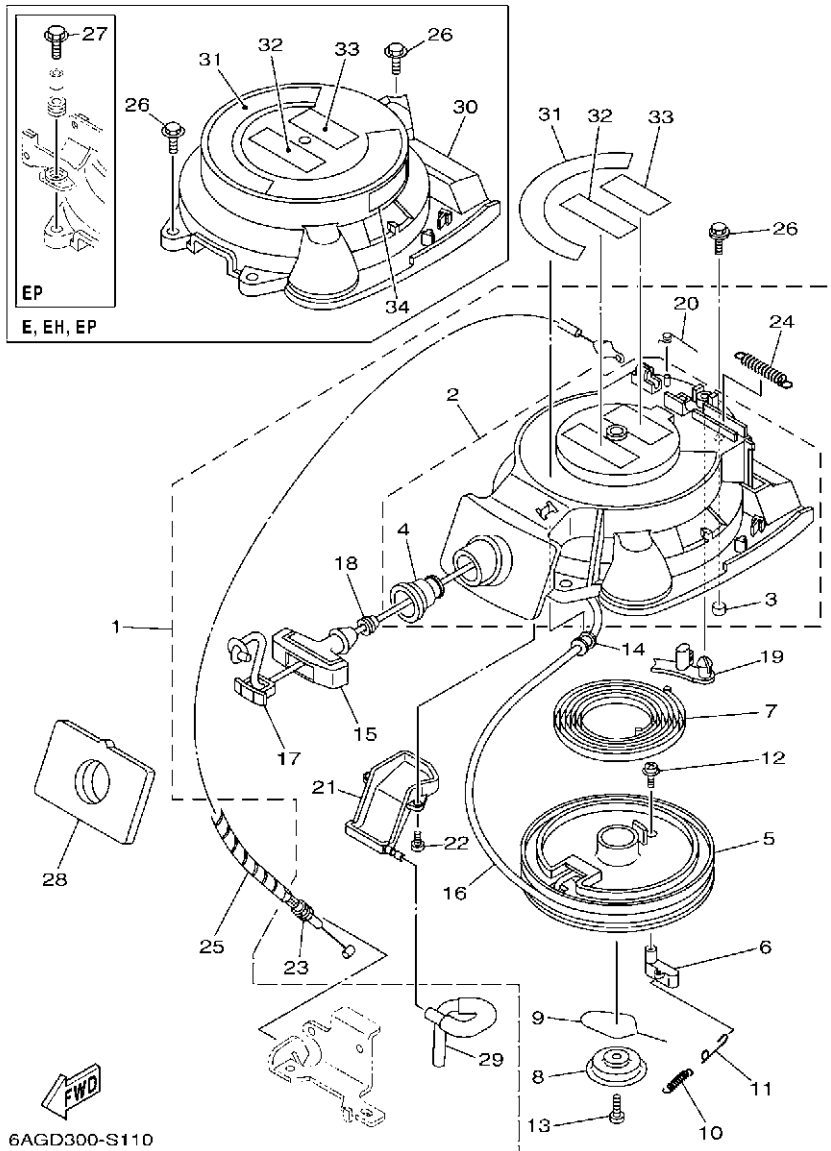
*1: CUT FROM 50M ROLLS, PART NO. 90890-44373, CUTTING LENGTH 1.8M

*1: A PRELEVER SUR BOBINE 50M, REFERENCE 90890-44373.
LONGUEUR DE COUPE 1.8M

FIG. 11 STARTER

DEMARREUR

REF. NO.	PART NO. N° PIECES	DESCRIPTION DESCRIPTION	MH	EH	E	EP	REMARKS REMARQUES
1	6AH-15710-02	STARTER ASSY DEMARREUR COMPLET	1				
2	6AH-15711-01	.CASE, STARTER .CARTER DE DEMARREUR	1				
3	6AH-15764-00	.COLLAR 1 .COLLERETTE 1	3				
4	6AH-15795-00	.GUIDE, ROPE .GUIDE DE CABLE	1				
5	63V-15714-00	.DRUM, SHEAVE .TAMBOUR, POULIE	1				
6	6AH-15741-10	.PAWL, DRIVE .CLIQUET, ENTRAINEMENT	1				
7	63V-15713-00	.SPRING, STARTER .RESSORT DE DEMARREUR	1				
8	68T-15716-00	.PLATE, DRIVE .PLAQUE, ENTRAINEMENT	1				
9	63V-15705-01	.SPRING, DRIVE PAWL .RESSORT DE CLIQUET	1				
10	63V-15767-01	.SPRING .RESSORT	1				
11	68T-15784-00	.SPRING, RETURN .RESSORT, RAPPEL	1				
12	63V-15793-00	.SCREW .VIS	1				
13	68T-15793-00	.SCREW .VIS	1				
14	68T-15764-00	.COLLAR 1 .COLLERETTE 1	1				
15	689-15755-01	.HANDLE, STARTER .POIGNEE, DE DEMARREUR	1				
16	*	.WIRE, STARTER (L:1800MM) .CABLE DE DEMARREUR (L:1800MM)	1				*1 *1
17	6F5-15779-02	.COVER .COUVERCLE	1				
18	6A0-15789-00	.DAMPER .AMORTISSEUR	1				
19	66T-15794-00	.STOPPER .BUTEE	1				
20	66T-15734-00	.SPRING, RETURN .RESSORT, RAPPEL	1				
21	6AH-15782-00	.COVER, SHEAVE .COUVERCLE, POULIE	1				
22	6AH-15793-00	.SCREW .VIS	2				
23	6AH-15770-00	.CABLE COMP., STARTER STOP .CABLE, BUTEE DE DEMAR	1				
24	66T-15731-00	.SPRING, RETURN .RESSORT, RAPPEL	1				
25	90446-06M90	HOSE (L120) DURITE (L120)	1				
26	95D75-06020 97E95-06520	BOLT, FLANGE DEEP RECESS BOULON FIXATION BOLT, HEXAGON W/W DEEP RECESS VIS HEXAGONAL AVC RONDELLE	3		3	3	



6AGD300-S110

*1: CUT FROM 50M ROLLS, PART NO. 90890-44373, CUTTING LENGTH 1.8M

*1: A PRELEVER SUR BOBINE 50M, REFERENCE 90890-44373.
LONGUEUR DE COUPE 1.8M

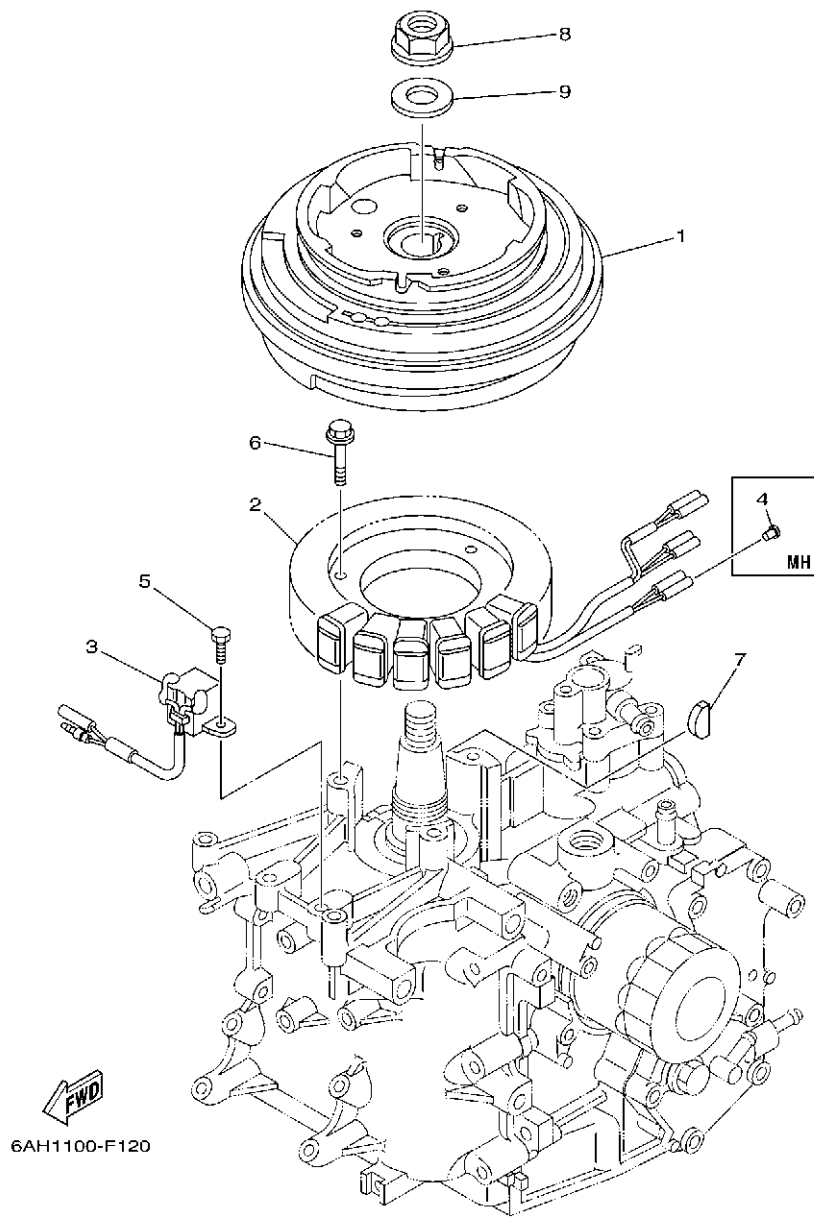
FIG. 11 STARTER

DEMARREUR

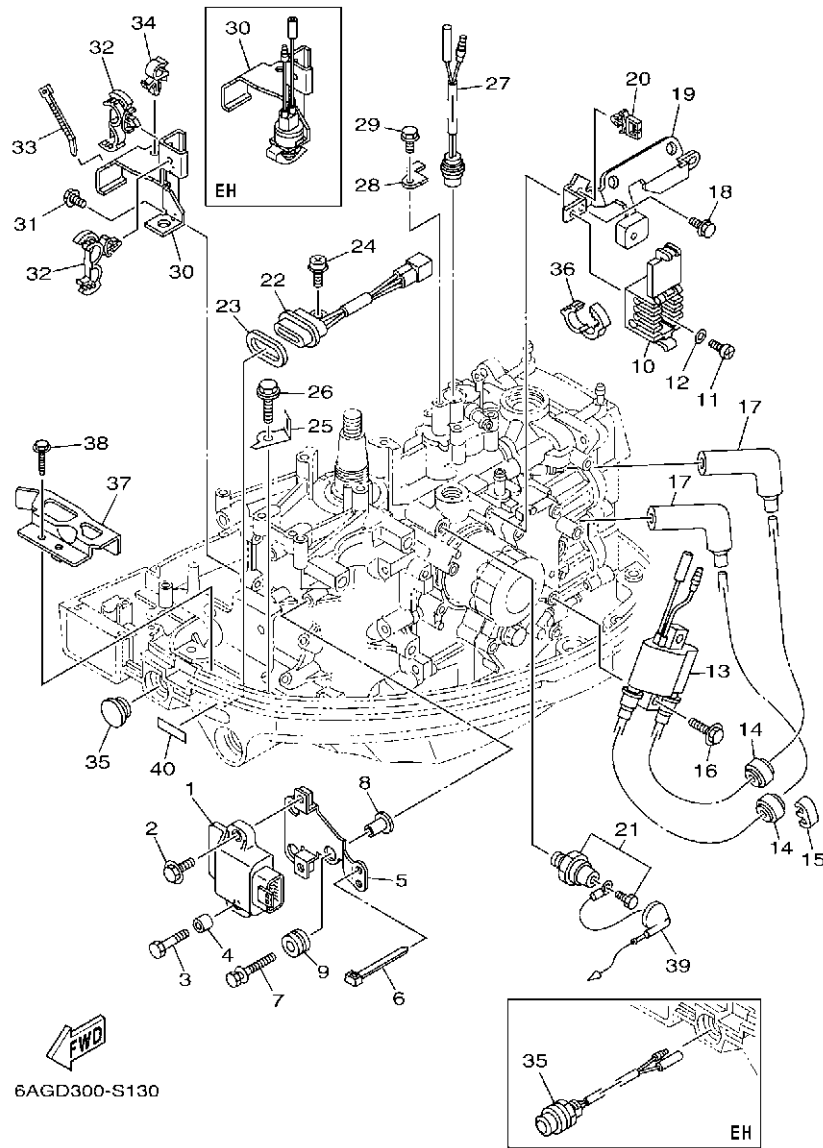
REF. NO.	PART NO. N° PIECES	DESCRIPTION DESCRIPTION	MH	EH	E	EP	REMARKS REMARQUES
26	97E95-06520	BOLT, HEXAGON W/W DEEP RECESS VIS HEXAGONAL AVC RONDELLE				1	
27	90119-06169	BOLT, WITH WASHER BOULON, AVEC RONDELLE				2	
28	6AH-15762-01	SEAL, RUBBER 2 JOINT CAOUTCHOUC 2	1				
29	6AH-24316-00	PIPE 6 DURITE 6	1				
30	6AH-81337-00	COVER, FLYWHEEL COUVERCLE, VOLANT		1	1	1	
31	6AH-14427-60	LABEL, INSTRUCTION ETIQUETTE, INSTRUCTION	1	1	1	1	
32	6EE-81995-40	LABEL, WARNING ETIQUETTE, AVERTISSEMENT	1	1	1	1	
33	6EE-81995-50	LABEL, WARNING ETIQUETTE, AVERTISSEMENT	1	1	1	1	
34	6AG-81996-00	MARK MARQUE			1	1	

FIG. 12 GENERATOR

GENERATRICE



REF. NO.	PART NO. N° PIECES	DESCRIPTION DESCRIPTION	GENERATRICE				REMARKS REMARQUES
			MH	EH	E	EP	
1	6AH-85550-00	ROTOR ASSY ROTOR CPLT	1				
	6AH-85550-10	ROTOR ASSY ROTOR CPLT		1	1	1	
2	6AH-85510-00	STATOR ASSY STATOR CPLT	1	1	1	1	
3	6AH-85580-00	COIL, PULSER BOBINE, PULSEUR	1	1	1	1	
4	703-82119-00	COVER, LEAD WIRE GARNITURE, FIL	2				
5	97095-05012	BOLT BOULON	2	2	2	2	
6	95D95-06030	BOLT, FLANGE DEEP RECESS BOULON FIXATION	3	3	3	3	
7	90280-05013	KEY, WOODRUFF CLAVETTE, DEMI-LUNE	1	1	1	1	
8	90179-16M05	NUT ECROU	1	1	1	1	
9	90201-16M44	WASHER, PLATE RONDELLE, PLATE	1	1	1	1	

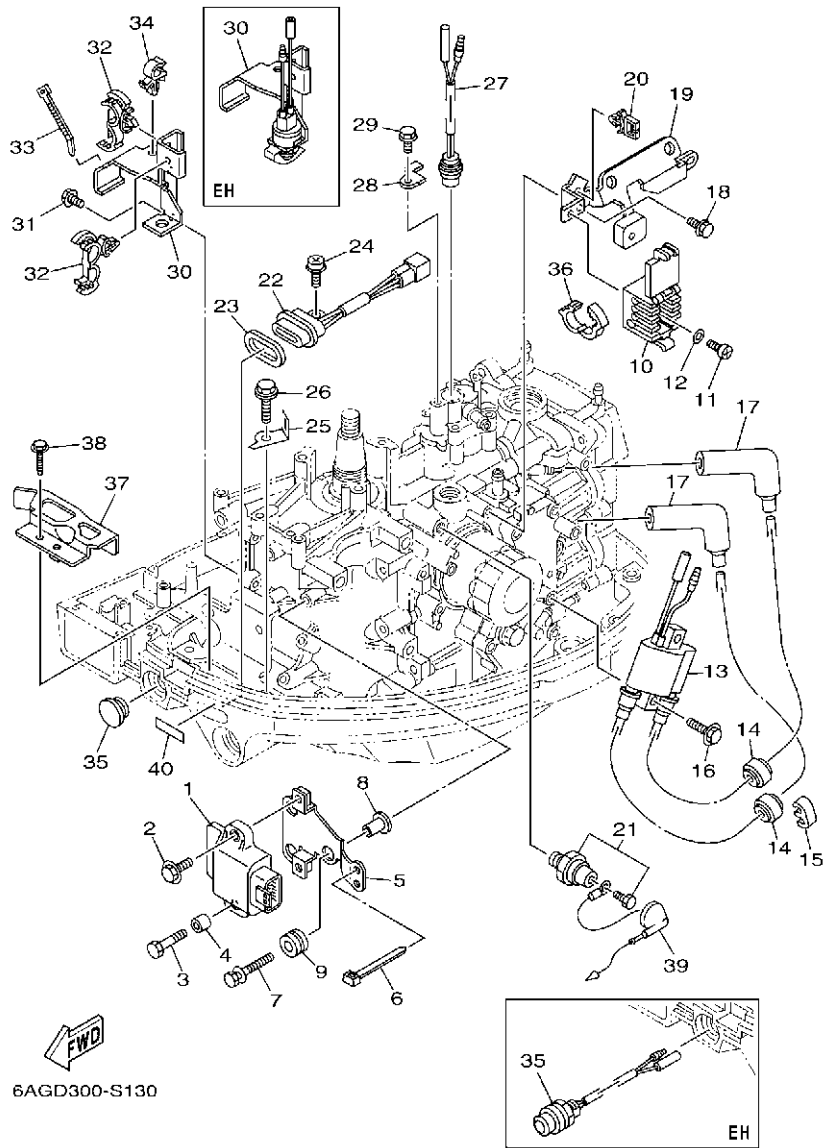


6AGD300-S130

FIG. 13 ELECTRICAL 1

PARTIE ELECTRIQUE 1

REF. NO.	PART NO. N° PIECES	DESCRIPTION DESCRIPTION	M/H	U/T	L	U	REMARKS REMARQUES
1	6AH-85540-10	C.D.I. UNIT ASSY BLOC C.D.I.	1	1	1	1	F20B F20B
	6AH-85540-00	C.D.I. UNIT ASSY BLOC C.D.I.	1	1	1	1	F15C F15C
2	97E95-06520	BOLT, HEXAGON W/W DEEP RECESS VIS HEXAGONAL AVC RONDELLE	1	1	1	1	
3	97D95-06030	BOLT, HEXAGON DEEP RECESS VIS HEXAGONAL	1	1	1	1	
4	90387-06M74	COLLAR COLLERETTE	1	1	1	1	
5	6AH-81948-00	BRACKET SUPPORT	1	1	1	1	
6	90465-13M18	CLAMP BRIDE	1	1	1	1	
7	90119-06M88	BOLT, WITH WASHER BOULON, AVEC RONDELLE	3	3	3	3	
8	90387-06289	COLLAR COLLERETTE	3	3	3	3	
9	90480-10M23	GROMMET PASSE-FIL	3	3	3	3	
10	6AH-82522-00	CLAMP, COUPLER BRIDE, DE CONNECTEUR	1	1	1	1	
11	97880-06010	SCREW, PAN HEAD VIS, TETE TRONCONIQUE	1	1	1	1	
12	90201-06M05	WASHER, PLATE RONDELLE, PLATE	1	1	1	1	
13	6F5-85570-13	IGNITION COIL ASSY BOBINE D'ALLUMAGE (ENS.)	1	1	1	1	
14	90480-25003	GROMMET PASSE-FIL	2	2	2	2	
15	67F-82361-00	CLAMP, CORD COLLIER, CORDON	1	1	1	1	
16	97E95-06525	BOLT, HEXAGON W/W DEEP RECESS VIS HEXAGONAL AVC RONDELLE	2	2	2	2	
17	6AH-82370-00	PLUG CAP ASSY ANTIPARASITE	2	2	2	2	
18	97E95-06514	BOLT, HEXAGON W/W DEEP RECESS VIS HEXAGONAL AVC RONDELLE	2	2	2	2	
19	6AH-85542-00	BRACKET SUPPORT	1	1	1	1	
20	90464-07M56	CLAMP BRIDE	2	2	2	2	
21	64J-82504-00	OIL PRESSURE SWITCH ASSY CONTACTEUR DE PRESSION D'HUILE	1	1	1	1	
22	62Y-84301-00	PILOT LIGHT ASSY 1 LAMPE-TEMOIN 1	1	1	1	1	
23	6FM-83589-00	GASKET GARNITURE	1	1	1	1	
24	97985-06212	SCREW, WITH WASHER VIS, AVEC RONDELLE	1	1	1	1	
25	6AH-82388-00	PLATE PLAQUETTE	1	1	1		
26	90109-06M86	BOLT BOULON	1	1	1		



6AGD300-S130

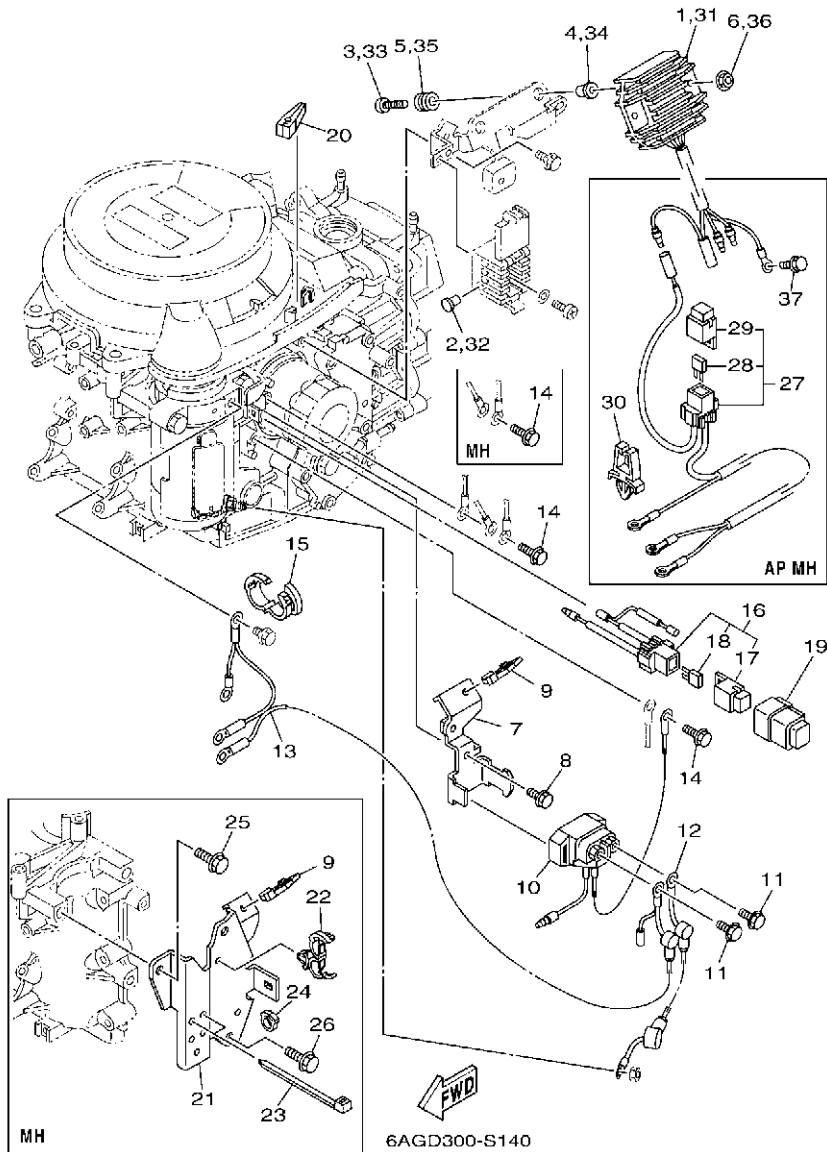
FIG. 13 ELECTRICAL 1

PARTIE ELECTRIQUE 1

REF. NO.	PART NO. N° PIECES	DESCRIPTION DESCRIPTION	M/H	E/H	L	U	REMARKS REMARQUES
27	6AH-82560-00	THERMO SWITCH ASSY THERMO-CONTACT COMPLET	1	1	1	1	
28	6AH-82588-00	PLATE PLAQUE	1	1	1	1	
29	97E95-06514	BOLT, HEXAGON W/W DEEP RECESS VIS HEXAGONAL AVC RONDELLE	1	1	1	1	
30	6AH-82554-00 6AH-82540-01	STAY, NEUTRAL SWITCH SUPPORT, CONT DE POINT-MORT NEUTRAL SWITCH ASSY CONTACTEUR DE POINT-MORT	1		1	1	
31	97E95-06516	BOLT, HEXAGON W/W DEEP RECESS VIS HEXAGONAL AVC RONDELLE	2	2	2	2	
32	90464-18246	CLAMP BRIDE	2	2	2	2	
33	90465-13M18	CLAMP BRIDE	1	1		1	
34	90464-10M32	CLAMP BRIDE	1	1	1	1	
35	6G1-42725-00	GROMMET PASSE-FIL	1		1	1	
36	68T-81870-00	STARTING SWITCH ASSY CONTACT A CLEF		1			
36	90464-16003	CLAMP BRIDE	1	1			
	90464-16001	CLAMP BRIDE			1	1	
37	6AH-82389-00	PLATE 2 PLAQUETTE 2	1	1	1	1	
38	90109-06M86	BOLT BOULON	1	1	1	1	
39	6AH-82553-10	EXTENSION, WIRE LEAD EXTENSION, FAISCEAU	1				
	6AH-82553-00	EXTENSION, WIRE LEAD EXTENSION, FAISCEAU		1	1	1	
40	67C-85415-00	MARK, SIGNAL LAMP ETIQUETTE	1	1	1	1	

FIG. 14 ELECTRICAL 2

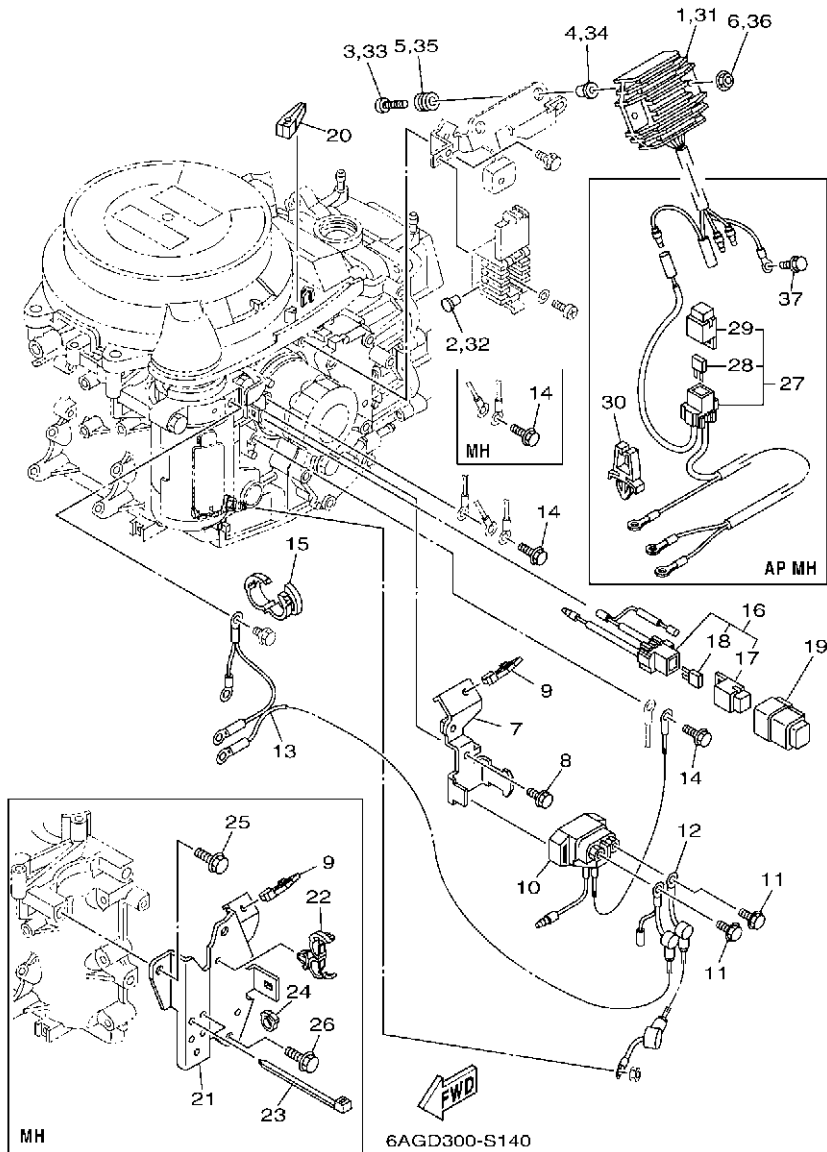
PARTIE ELECTRIQUE 2



REF. NO.	PART NO. N° PIECES	DESCRIPTION DESCRIPTION	MH	ET	W	U	REMARKS REMARQUES
1	6AH-81960-00	RECTIFIER & REGULATOR ASSY REDRESSEUR REGULATEUR CPLT		1	1	1	
2	703-82119-00	COVER, LEAD WIRE GARNITURE, FIL		1	1	1	
3	98980-06030	SCREW, BIND VIS, DE PRESSION		2	2	2	
4	90387-06M70	COLLAR COLLERETTE		2	2	2	
5	90480-13M24	GROMMET PASSE-FIL		2	2	2	
6	95780-06500	NUT, FLANGE ECROU		2	2	2	
7	6AH-81945-00	PLATE, SWITCH FITTING PLAQUE, FIXATION DU RELAIS		1	1	1	
8	97E95-06514	BOLT, HEXAGON W/W DEEP RECESS VIS HEXAGONAL AVC RONDELLE		1	1	1	
9	90464-08004	CLAMP BRIDE	1	1	1	1	
10	68T-81940-00	STARTER RELAY ASSY LANCEUR RELAIS (ENS.)		1	1	1	
11	97E95-06610	BOLT, HEXAGON W/W DEEP RECESS VIS HEXAGONAL AVC RONDELLE		2	2	2	
12	6AH-82117-00	WIRE, LEAD FIL		1	1	1	
13	6AH-82105-01	BATTERY CABLE CABLE DE BATTERIE		1	1	1	
14	97E95-06514	BOLT, HEXAGON W/W DEEP RECESS VIS HEXAGONAL AVC RONDELLE	1				
	97E95-06514	BOLT, HEXAGON W/W DEEP RECESS VIS HEXAGONAL AVC RONDELLE	2	2	2		
15	90464-16001	CLAMP BRIDE		1	1	1	
16	6AH-82150-00	FUSE HOLDER ASSY SUPPORT DE FUSIBLE		1	1	1	
17	67F-8215B-10	.CAP (YELLOW) .BOUCHON (YELLOW)		1	1	1	
18	67F-82151-00	.FUSE (20A) .FUSIBLE (20A)		2	2	2	
19	6AH-82157-00	DAMPER AMORTISSEUR		1	1	1	
20	67F-2812A-00	PULLER, FUSE TENDEUR, FUSIBLE		1	1	1	
21	6AH-82398-00	PLATE 3 PLAQUETTE 3	1				
22	90464-18246	CLAMP BRIDE	1				
23	90465-13M18	CLAMP BRIDE	3				
24	90464-09010	CLAMP BRIDE	1				
25	97E95-08525	BOLT, HEXAGON W/W DEEP RECESS VIS HEXAGONAL AVC RONDELLE	2				
26	97E95-08516	BOLT, HEXAGON W/W DEEP RECESS VIS HEXAGONAL AVC RONDELLE	1				

FIG. 14 ELECTRICAL 2

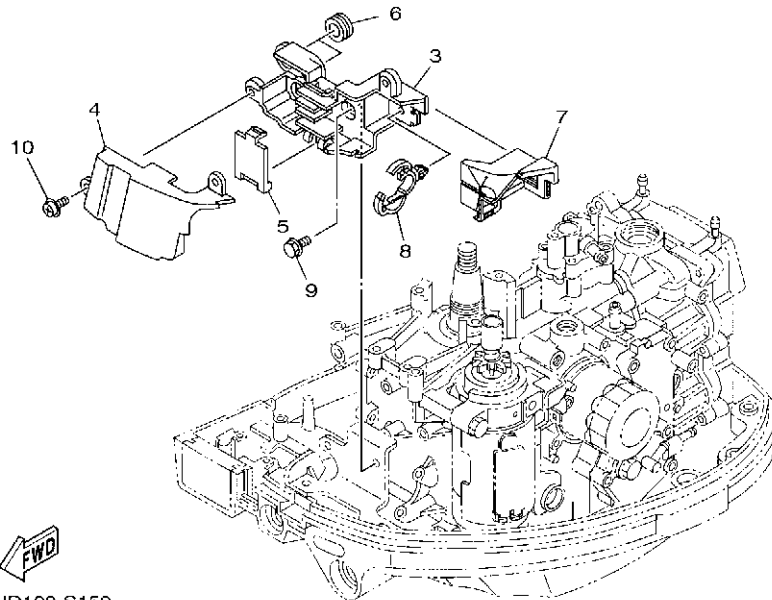
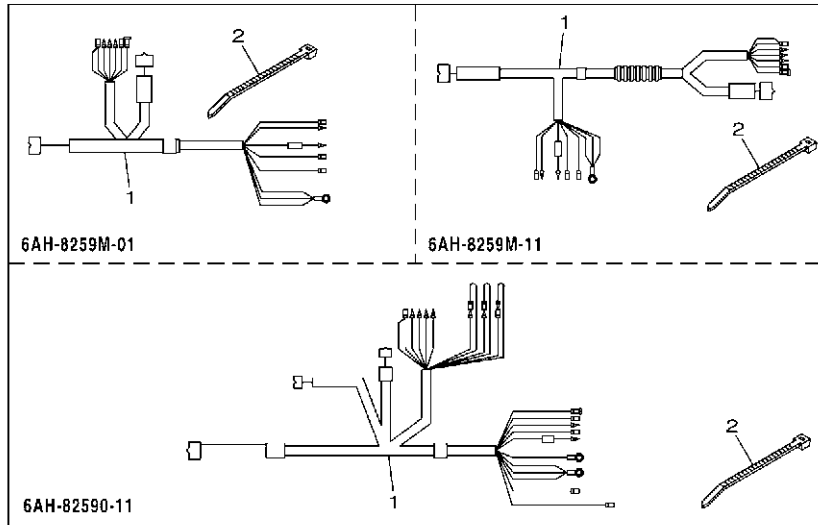
PARTIE ELECTRIQUE 2



REF. NO.	PART NO. N° PIECES	DESCRIPTION DESCRIPTION	MH	EH	E	EP	REMARKS REMARQUES
27	6AH-81949-00	WIRE, LEAD FIL	1				AP AP
28	67F-82151-00	.FUSE (20A) .FUSIBLE (20A)	2				
29	67F-8215B-00	.CAP (BLACK) .BOUCHON (NOIR)	1				
30	90464-06001	CLAMP BRIDE	1				AP AP
31	6AH-81960-00	RECTIFIER & REGULATOR ASSY REDRESSEUR REGULATEUR CPLT	1				AP AP AP
32	703-82119-00	COVER, LEAD WIRE GARNITURE, FIL	1				AP AP
33	98980-06030	SCREW, BIND VIS, DE PRESSION	2				AP AP
34	90387-06M70	COLLAR COLLERETTE	2				AP AP
35	90480-13M24	GROMMET PASSE-FIL	2				AP AP
36	95780-06500	NUT, FLANGE ECROU	2				AP AP
37	97E95-06514	BOLT, HEXAGON W/W DEEP RECESS VIS HEXAGONAL AVC RONDELLE	1				AP AP

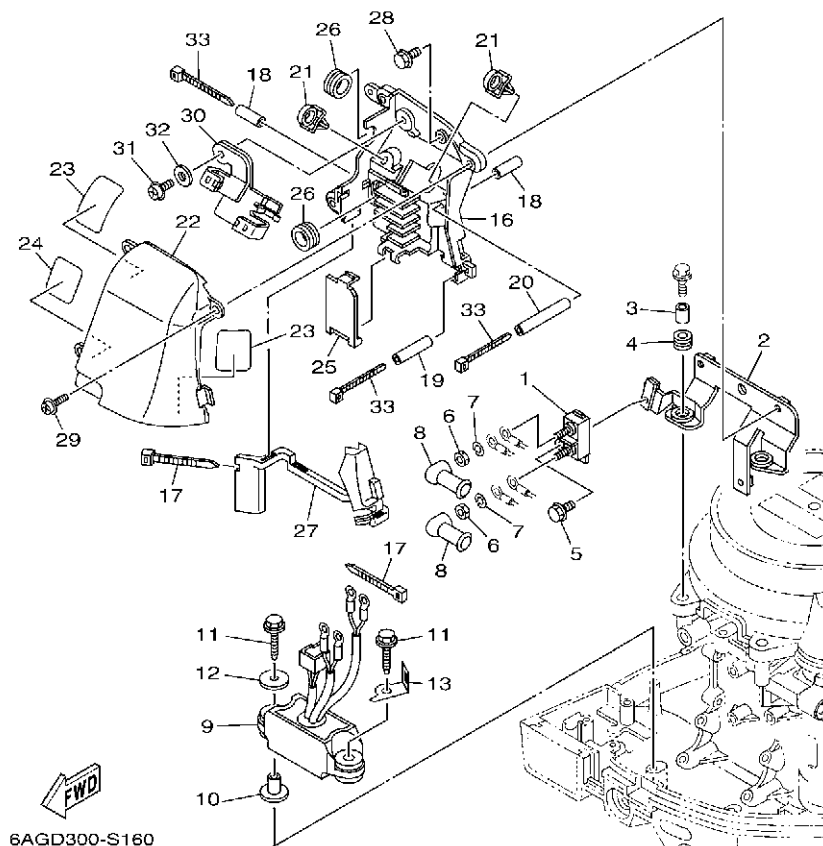
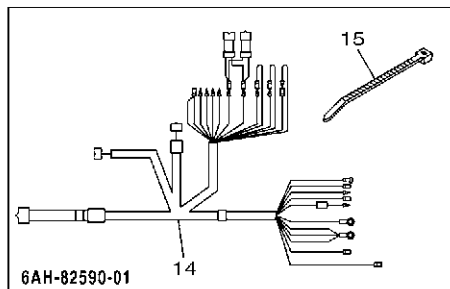
FIG. 15 ELECTRICAL 3

PARTIE ELECTRIQUE 3



6AH-82590-11
 FWD

REF. NO.	PART NO. N° PIECES	DESCRIPTION DESCRIPTION	M/H	E/H	E	E/P	REMARKS REMARQUES
1	6AH-8259M-11	WIRE HARNESS ASSY 2 FAISCEAU DE FILS	1				
	6AH-8259M-01	WIRE HARNESS ASSY 2 FAISCEAU DE FILS		1			
	6AH-82590-11	WIRE HARNESS ASSY FAISCEAU DE FILS COMPLET			1		
2	90465-13M18	CLAMP BRIDE	1	1	1		
3	6AH-8552A-00	HOUSING CARTER	1	1	1		
4	6AH-8552E-00	COVER, CASE COUVERCLE	1	1	1		
5	6AH-85537-00	COVER COUVERCLE	1	1	1		
6	90480-19368	GROMMET PASSE-FIL	2	2	2		
7	6AH-85547-00	DAMPER AMORTISSEUR	1	1	1		
8	90464-20181	CLAMP BRIDE	1	1	1		
9	97E95-06514	BOLT, HEXAGON W/W DEEP RECESS VIS HEXAGONAL AVC RONDELLE	2	2	2		
10	97985-06214	SCREW, WITH WASHER VIS, AVEC RONDELLE	2	2	2		



6AGD300-S160

FIG. 16 ELECTRICAL 4

PARTIE ELECTRIQUE 4

REF. NO.	PART NO. N° PIECES	DESCRIPTION DESCRIPTION	M/H	E/H	E	Q	REMARKS REMARQUES
1	6H5-81925-00	TERMINAL BORNE				1	
2	6AH-81929-01	BRACKET, TERMINAL SUPPORT				1	
3	90387-06182	COLLAR COLLERETTE				2	
4	6AH-82317-00	DAMPER, IGNITION COIL AMORTISSEUR, BOBINE D'ALLUM				2	
5	97E95-06514	BOLT, HEXAGON W/W DEEP RECESS VIS HEXAGONAL AVC RONDELLE				1	
6	90170-06M30	NUT ECROU				2	
7	90204-06M00	WASHER, SPRING RONDELLE, GROWER				2	
8	6G5-82119-00	COVER, LEAD WIRE GARNITURE, FIL				2	
9	6AH-81950-00	RELAY ASSY RELAIS COMPLET				1	
10	90387-06M03	COLLAR COLLERETTE				2	
11	90109-06MA2	BOLT BOULON				2	
12	90201-06416	WASHER, PLATE RONDELLE, PLATE				1	
13	6AH-82388-00	PLATE PLAQUETTE				1	
14	6AH-82590-01	WIRE HARNESS ASSY FAISCEAU DE FILS COMPLET				1	
15	90465-13M18	CLAMP BRIDE				1	
16	6AH-8552A-10	HOUSING CARTER				1	
17	90465-13M18	CLAMP BRIDE				2	
18	90445-07025	HOSE DURITE				2	
19	90445-07026	HOSE DURITE				1	
20	90445-07027	HOSE DURITE				1	
21	90464-12001	CLAMP BRIDE				2	
22	6AH-8552E-10	COVER, CASE COUVERCLE				1	
23	6AH-42735-10	PROTECTOR PROTECTEUR				2	
24	6AH-42735-20	PROTECTOR PROTECTEUR				1	
25	6AH-85537-10	COVER COUVERCLE				1	
26	90480-19368	GROMMET PASSE-FIL				2	
27	6AH-85547-10	DAMPER AMORTISSEUR				1	

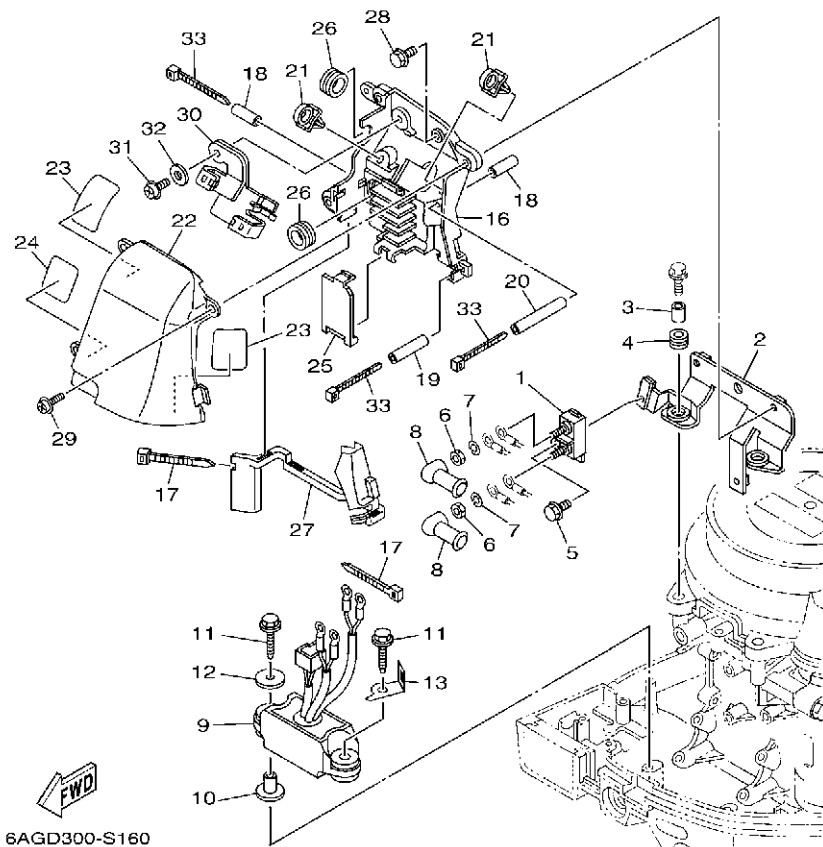
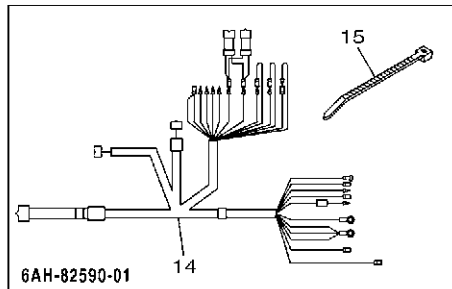


FIG. 16 ELECTRICAL 4

PARTIE ELECTRIQUE 4

REF. NO.	PART NO. N° PIECES	DESCRIPTION DESCRIPTION	M/H	E/H	E	Q/P	REMARKS REMARQUES
28	97E95-06514	BOLT, HEXAGON W/W DEEP RECESS VIS HEXAGONAL AVEC RONDELLE				3	
29	97985-06214	SCREW, WITH WASHER VIS, AVEC RONDELLE				3	
30	6AH-85525-10	PLATE PLAQUE				1	
31	97985-06214	SCREW, WITH WASHER VIS, AVEC RONDELLE				1	
32	90201-06068	WASHER, PLATE RONDELLE, PLATE				1	
33	90464-76001	CLAMP BRIDE				3	

FIG. 17 ELECTRICAL 5

PARTIE ELECTRIQUE 5

REF. NO.	PART NO. N° PIECES	DESCRIPTION DESCRIPTION	MH	EH	E	Q	REMARKS REMARQUES
1	6AH-82563-00	TRIM & TILT SWITCH ASSY INCLINER ET PARER COMMUTATEUR				1	
2	90465-11M10	CLAMP BRIDE				2	
3	97985-06220	SCREW, WITH WASHER VIS, AVEC RONDELLE				2	

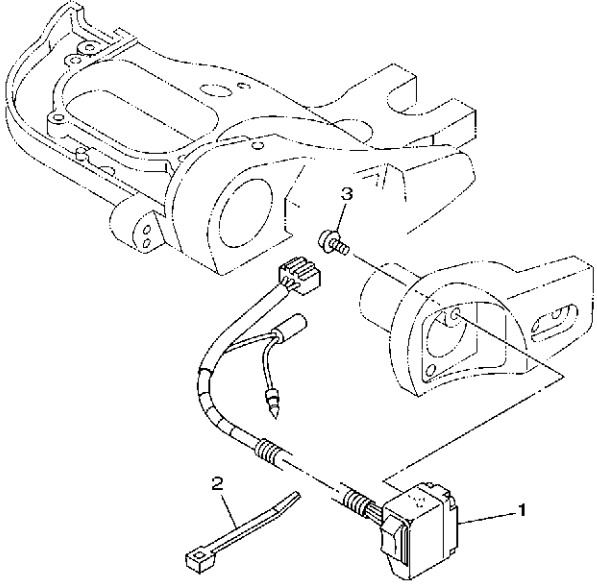
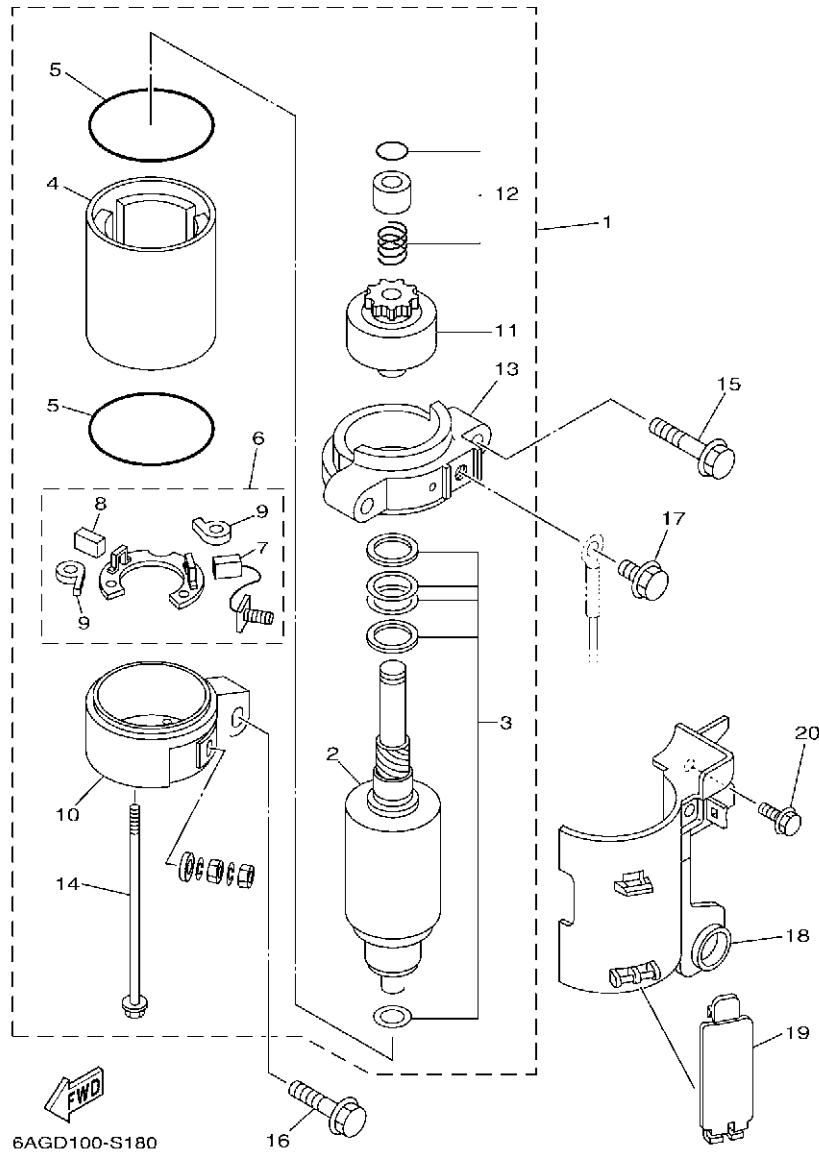
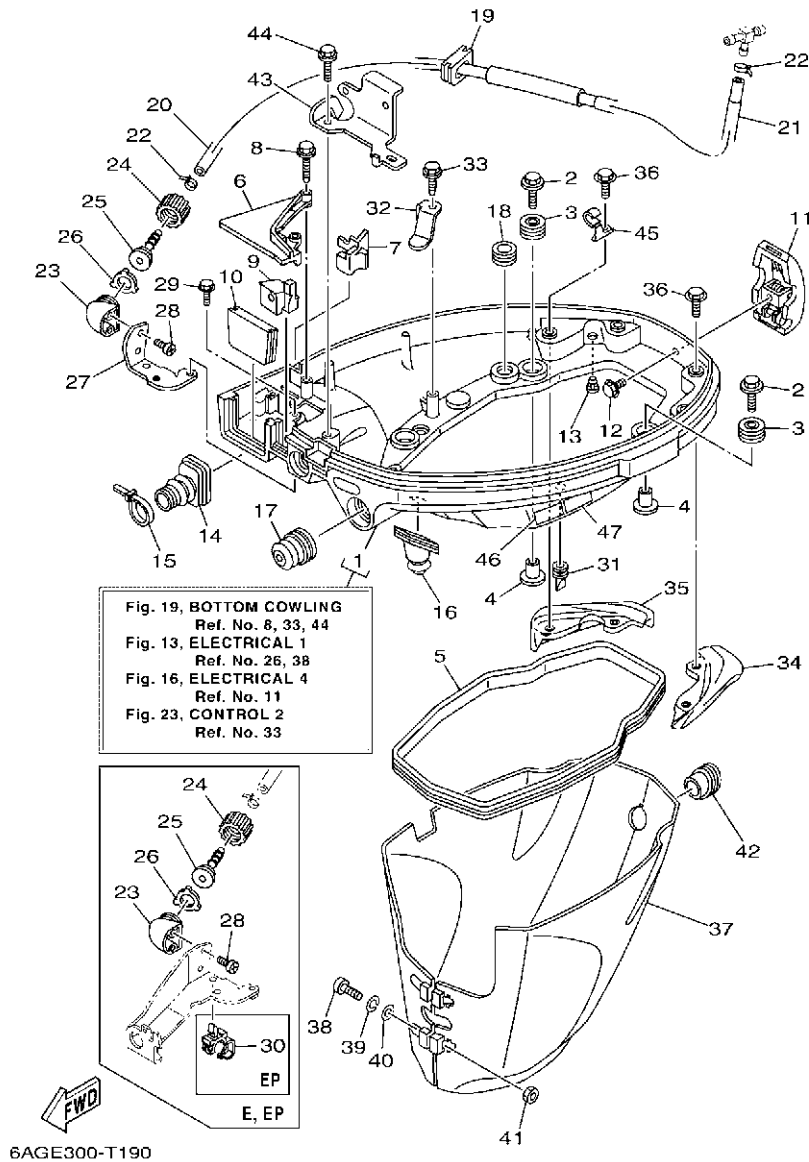


FIG. 18 STARTING MOTOR

DEMARREUR ELECTRIQUE



REF. NO.	PART NO. N° PIECES	DESCRIPTION DESCRIPTION	M/H	E/H	U	E	REMARKS REMARQUES
1	6AH-81800-01	STARTING MOTOR ASSY DEMARREUR ELECTRIQUE COMPLET		1	1	1	
2	689-81850-11	.ARMATURE ASSY .INDUIT		1	1	1	
3	689-81809-11	.WASHER KIT .JEU DE RONDELLES		1	1	1	
4	689-81810-11	.STATOR ASSY .STATOR COMPLET		1	1	1	
5	689-81847-11	.O-RING .JOINT TORIQUE		2	2	2	
6	689-81840-11	.BRUSH HOLDER ASSY .SUPPORT DE CHARBON		1	1	1	
7	689-81811-11	.BRUSH 1 .CHARBON 1		1	1	1	
8	689-81812-11	.BRUSH 2 .CHARBON 2		1	1	1	
9	689-81813-10	.SPRING, BRUSH .RESSORT, DE CHARBON		2	2	2	
10	6AH-81820-01	.REAR BRACKET ASSY .SUPPORT ARRIERE COMPLET		1	1	1	
11	689-81807-12	.GEAR ASSY, STARTING MOTOR .PIGNON, DEMARREUR ELECTRIQUE		1	1	1	
12	68T-81857-00	.PINION STOPPER SET .BUTEE PIGNON		1	1	1	
13	6AH-81830-00	.FRONT BRACKET ASSY .SUPPORT AVANT		1	1	1	
14	689-81826-10	.BOLT .BOULON		2	2	2	
15	97513-08545	BOLT, WITH WASHER VIS HEXAGONAL AVC RONDELLE		2	2	2	
16	97513-08535	BOLT, WITH WASHER VIS HEXAGONAL AVC RONDELLE		1	1	1	
17	97E95-08516	BOLT, HEXAGON W/W DEEP RECESS VIS HEXAGONAL AVC RONDELLE		1	1	1	
18	6AH-81942-00	COVER COUVERCLE		1	1	1	
19	6AH-82581-00	STAY, CORD CLAMP SUPPORT, COLLIER DE CORDON		1	1	1	
20	97E95-06514	BOLT, HEXAGON W/W DEEP RECESS VIS HEXAGONAL AVC RONDELLE		1	1	1	

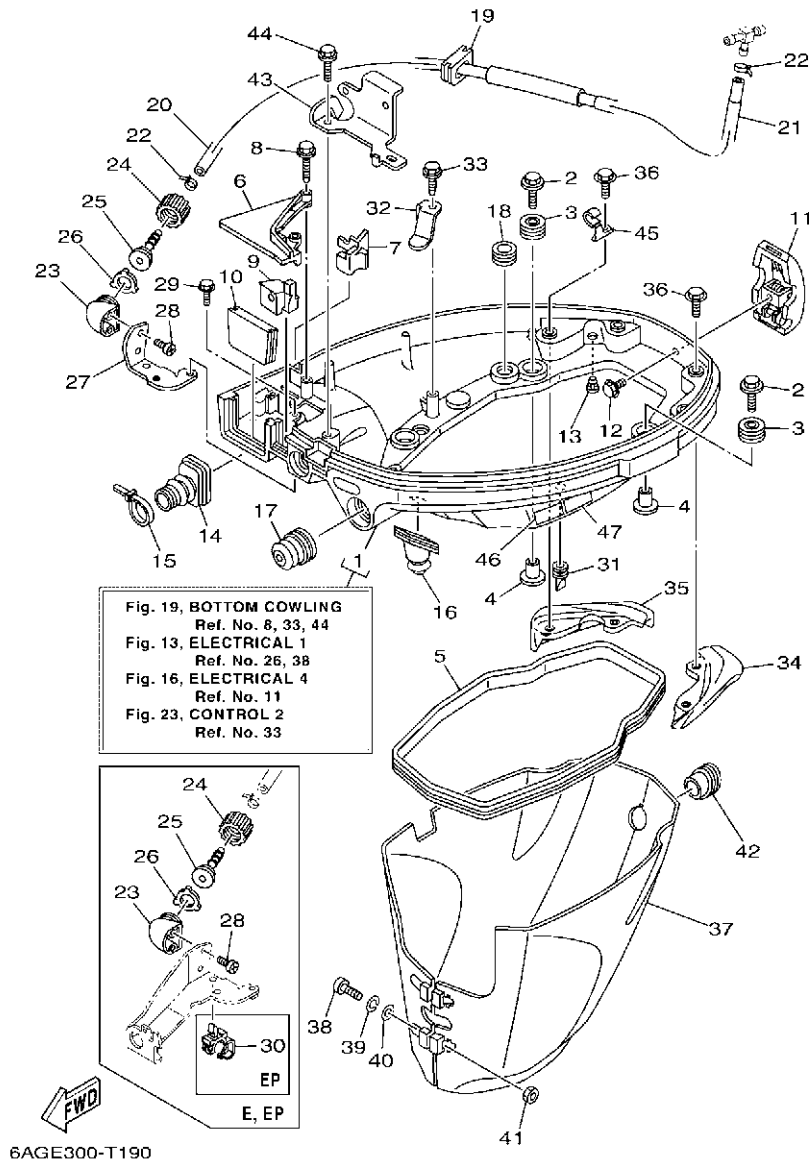


6AGE300-T190

FIG. 19 BOTTOM COWLING

CAPOT INFERIEUR

REF. NO.	PART NO. N° PIECES	DESCRIPTION DESCRIPTION	M/H	E/H	L	EP	REMARKS REMARQUES
1	6AH-42710-00-8D	BOTTOM COWLING ASSY ENS. EMBASE	1	1	1		
	6AH-42710-10-8D	BOTTOM COWLING ASSY ENS. EMBASE				1	
2	68F-85119-00	BOLT BOULON	4	4	4	4	
3	90480-21M82	GROMMET PASSE-FIL	4	4	4	4	
4	90387-06176	COLLAR COLLERETTE	4	4	4	4	
5	6AH-42716-00	RUBBER SEAL 1 JOINT EN CAOUTCHOUC 1	1	1	1	1	
6	6AH-42738-00-8D	PLATE, FITTING ETRIER	1	1	1	1	
7	6AH-42718-00	RUBBER, SEAL 3 JOINT	1	1	1	1	
8	90109-06M82	BOLT BOULON	2	2	2	2	
9	6AH-42725-00	GROMMET PASSE-FIL	1				
	6AH-42725-10	GROMMET PASSE-FIL		1			
	6AH-42725-20	GROMMET PASSE-FIL			1	1	
10	6AH-42724-00	GROMMET PASSE-FIL	1	1			
	6AH-42724-10	GROMMET PASSE-FIL			1	1	
11	6AH-42801-00	COWLING CLAMP COMP. BRIDE DE CAPOT COMP.	1	1	1	1	
12	97E95-06512	BOLT, HEXAGON W/W DEEP RECESS VIS HEXAGONAL AVC RONDELLE	1	1	1	1	
13	6BL-44391-00	NIPPLE, HOSE RACCORD D'ESSENCE	1	1	1	1	
14	6AH-26326-00	GROMMET RONDELLE CAOUTCHOUC	1	1		1	
	6AH-26326-10	GROMMET RONDELLE CAOUTCHOUC			1		
15	90465-11M10	CLAMP BRIDE	1	1		1	
16	6AH-42727-00	GROMMET PASSE-FIL	1	1	1	1	
17	65W-42726-00	GROMMET PASSE-FIL	1	1			
	65W-42726-10	GROMMET PASSE-FIL			1	1	
18	90480-16007	GROMMET PASSE-FIL	1	1	1	1	
19	6AH-42726-00	GROMMET PASSE-FIL	1	1	1	1	
20	6AH-24314-01	PIPE 4 DURITE 4	1	1	1	1	
21	90445-15003	HOSE (L230) DURITE (L230)	1	1	1	1	



6AGE300-T190

FIG. 19 BOTTOM COWLING

CAPOT INFERIEUR

REF. NO.	PART NO. N° PIECES	DESCRIPTION DESCRIPTION	MHT	ÉT	W	ÉT	REMARKS REMARQUES
22	90465-11M10	CLAMP BRIDE	2	2	2	2	
23	6DR-12572-00	ADAPTER ADAPTATEUR	1	1	1	1	
24	6R3-12581-00	JOINT, HOSE 1 JOINT DE TUYAU	1	1	1	1	
25	6R3-12582-00	JOINT, HOSE 2 RACCORD DE TUYAU 1	1	1	1	1	
26	6R3-12583-00	GASKET, HOSE JOINT JOINT	1	1	1	1	
27	6AH-12535-00	PLATE PLAQUE	1	1			
28	90167-06002	SCREW, TAPPING VIS, TETE FRAISEE	2	2	2	2	
29	97E95-06510	BOLT, HEXAGON W/W DEEP RECESS VIS HEXAGONAL AVC RONDELLE	2	2			
30	90464-12M58	CLAMP BRIDE				1	
31	65W-42717-00	RUBBER, SEAL 2 JOINT EN CAOUTCHOUC 2	2	2	2	2	
32	6AH-42743-00	BRACKET SUPPORT	1	1	1	1	
33	90109-06M86	BOLT BOULON	1	1	1	1	
34	6AH-42761-A0	STOPPER PLAQUETTE	1	1	1	1	
35	6AH-42762-A0	STOPPER PLAQUETTE	1	1	1	1	
36	97E75-06512	BOLT, HEXAGON W/W DEEP RECESS VIS HEXAGONAL AVC RONDELLE	4	4	4	4	
37	6AH-42741-00	APRON CAPOT LATERAL	1	1	1	1	
38	97885-06030	SCREW, PAN HEAD VIS, A ENCOCHE	2	2	2	2	
39	92995-06100	WASHER, SPRING RONDELLE, GROWER	2	2	2	2	
40	92995-06600	WASHER RONDELLE	2	2	2	2	
41	95380-06600	NUT, HEXAGON ECROU	2	2	2	2	
42	6AH-42717-00	RUBBER, SEAL 2 JOINT EN CAOUTCHOUC 2	1	1	1	1	
43	6AH-15774-00	STAY 4 SUPPORT 4	1	1	1		
44	90109-06M86	BOLT BOULON	1	1	1		
45	90465-08M82	CLAMP BRIDE	1	1	1	1	
46	6EE-42794-40	LABEL, WARNING (GENERAL) ETIQUETTE, AVERTISSEMENT	1	1	1	1	
47	6EE-42794-50	LABEL, WARNING (GENERAL) ETIQUETTE, AVERTISSEMENT	1	1	1	1	

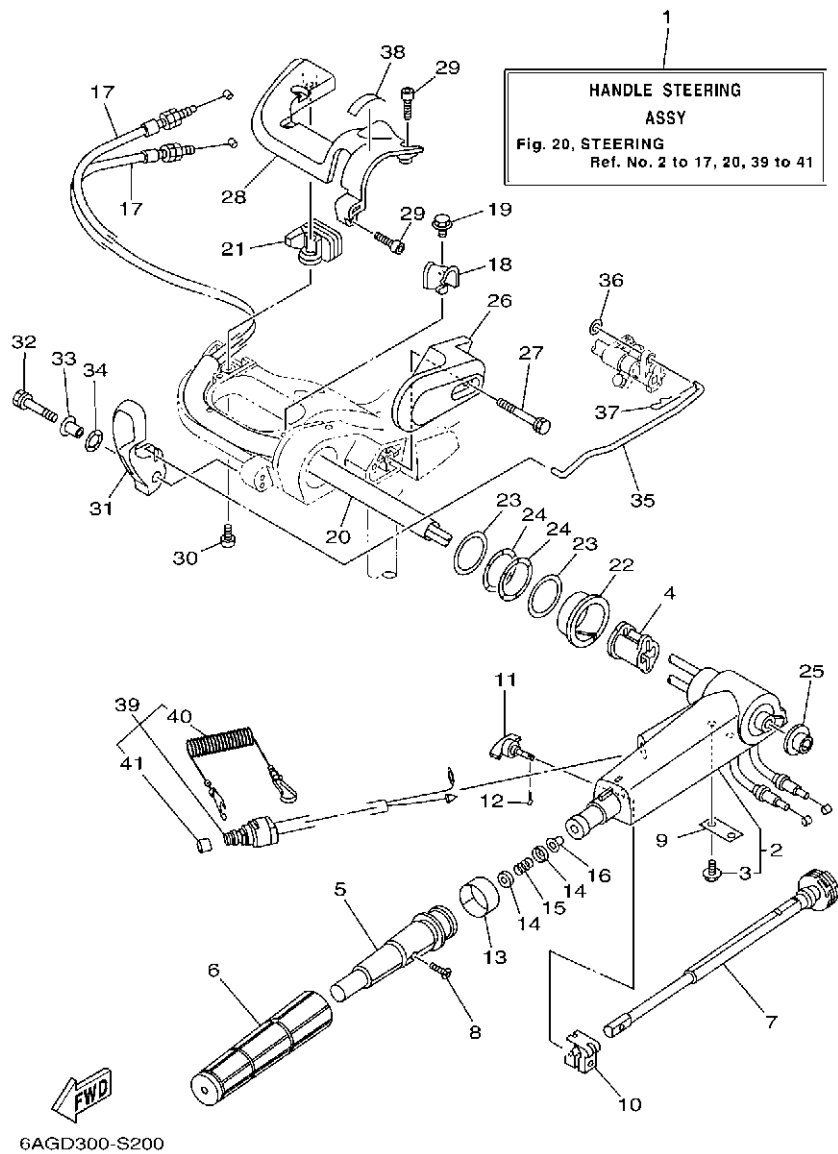


FIG. 20 STEERING

DIRECTION

REF. NO.	PART NO. N° PIECES	DESCRIPTION DESCRIPTION	M/F	L/R	E	EP	REMARKS REMARQUES
1	6AH-W0084-03-8D	HANDLE STEERING ASSY BARRE FRANCHE (ENS.)	1	1			
2	6AH-42101-02-8D	HANDLE, STEERING POIGNEE	1	1			
3	90109-06M86	.BOLT .BOULON	2	2			
4	6AH-26288-00	GROMMET, CABLE OEILLET DE CABLE	1	1			
5	66M-42119-01	GRIP, STEERING HANDLE POIGNEE, BARRE FRANCHE	1	1			
6	67D-42177-00	RUBBER, HANDLE CAOUTCHOUC, POIGNEE	1	1			
7	65W-42138-00	LEVER, THROTTLE LEVIER, ACCELERATEUR	1	1			
8	90152-05011	SCREW, COUNTERSUNK VIS, TETE NOYEE	1	1			
9	65W-42159-00	STAY SUPPORT	1	1			
10	6G1-42126-00	FRICTION, STEERING HANDLE GRIP CUVETTE, POIGNEE DE DIRECTION	1	1			
11	65W-42125-00	BOLT, FRICTION ADJUSTING BOULON	1	1			
12	91490-16010	PIN, COTTER GOUPILLE	1	1			
13	6J0-42137-10	INDICATOR, THROTTLE INDICATEUR, ACCELERATION	1	1			
14	6X4-44188-00	WASHER RONDELLE	2	2			
15	90501-23215	SPRING, COMPRESSION RESSORT, COMPRESSION	1	1			
16	90386-08004	BUSH DOUILLE	1	1			
17	6AH-26311-00	WIRE, THROTTLE 1 CABLE 1, ACCELERATEUR	2	2			
18	6AH-44554-00	PLATE PLAQUETTE	1	1			
19	97E95-06514	BOLT, HEXAGON W/W DEEP RECESS VIS HEXAGONAL AVC RONDELLE	1	1			
20	6AH-2634E-00	PROTECTOR 1 PROTECTEUR 1	1	1			
21	6AH-42551-00	GROMMET PASSE-FIL	1	1			
22	90386-45001	BUSH DOUILLE	1	1			
23	90201-39008	WASHER, PLATE RONDELLE, PLATE	2	2			
24	90206-39001	WASHER, WAVE RONDELLE, ONDULEE	2	2			
25	90381-20001	BUSH, SOLID DOUILLE, SOLIDE	1	1			
26	6AH-42131-00-8D	COVER, HANDLE STEERING COUVERCLE	1	1			
27	97E95-06555	BOLT, HEXAGON W/W DEEP RECESS VIS HEXAGONAL AVC RONDELLE	2	2			

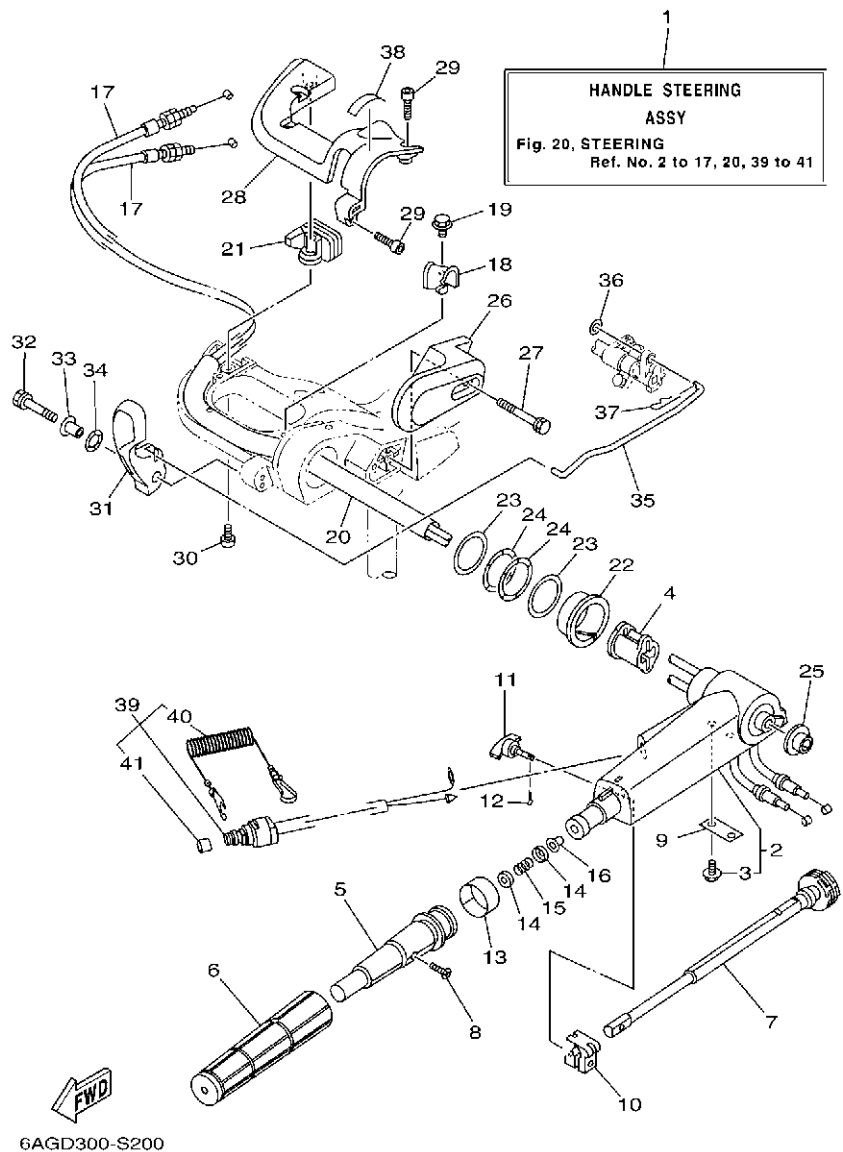


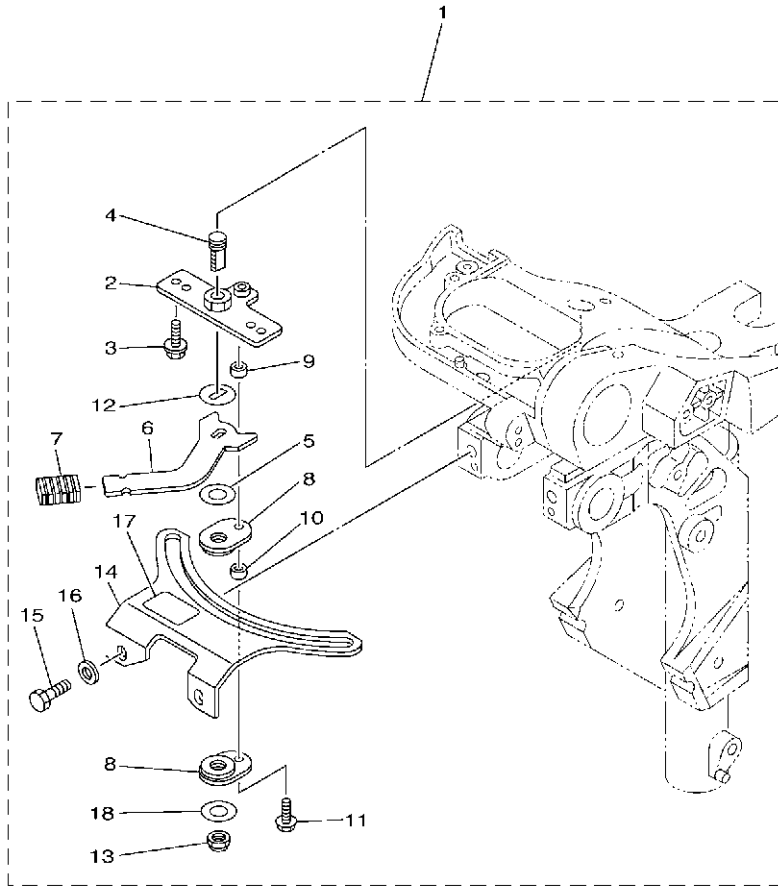
FIG. 20 STEERING

DIRECTION

REF. NO.	PART NO. N° PIECES	DESCRIPTION DESCRIPTION	M/H	E/H	E	EP	REMARKS REMARQUES
28	6AH-42532-A0	COVER COUVERCLE	1	1			
29	90111-06072	BOLT, HEX. SOCKET BUTTON BOULON	4	4			
30	97780-60520	SCREW, TAPPING VIS, TETE BOMBEE	1	1			
31	6AH-44111-00	HANDLE, GEAR SHIFT POIGNEE, LEVIER D'EMBAYAGE	1	1			
32	90119-06M05	BOLT, WITH WASHER BOULON, AVEC RONDELLE	1	1			
33	90387-06M86	COLLAR COLLERETTE	1	1			
34	90206-15M18	WASHER, WAVE RONDELLE, ONDULEE	1	1			
35	6AH-44124-00	LINK, SHIFT ROD BIELLETTE	1	1			
36	92990-06200	WASHER, PLAIN RONDELLE, PLATE	1	1			
37	90468-18008	CLIP JONC	1	1			
38	6X3-44191-00	INDICATOR, SHIFT ETIQUETTE, EMBRAYAGE	1	1			
39	6AH-82575-00	ENGINE STOP SWITCH ASSY COUPE CIRCUIT CPLT	1	1			
40	682-82556-00	.LANYARD, STOP SWITCH .CORDON DU COUPE CIRCUIT	1	1			
41	689-8257Y-00	.CAP .COUVERCLE	1	1			

FIG. 21 STEERING FRICTION

CUVETTE POIGNEE DE DIRECTION

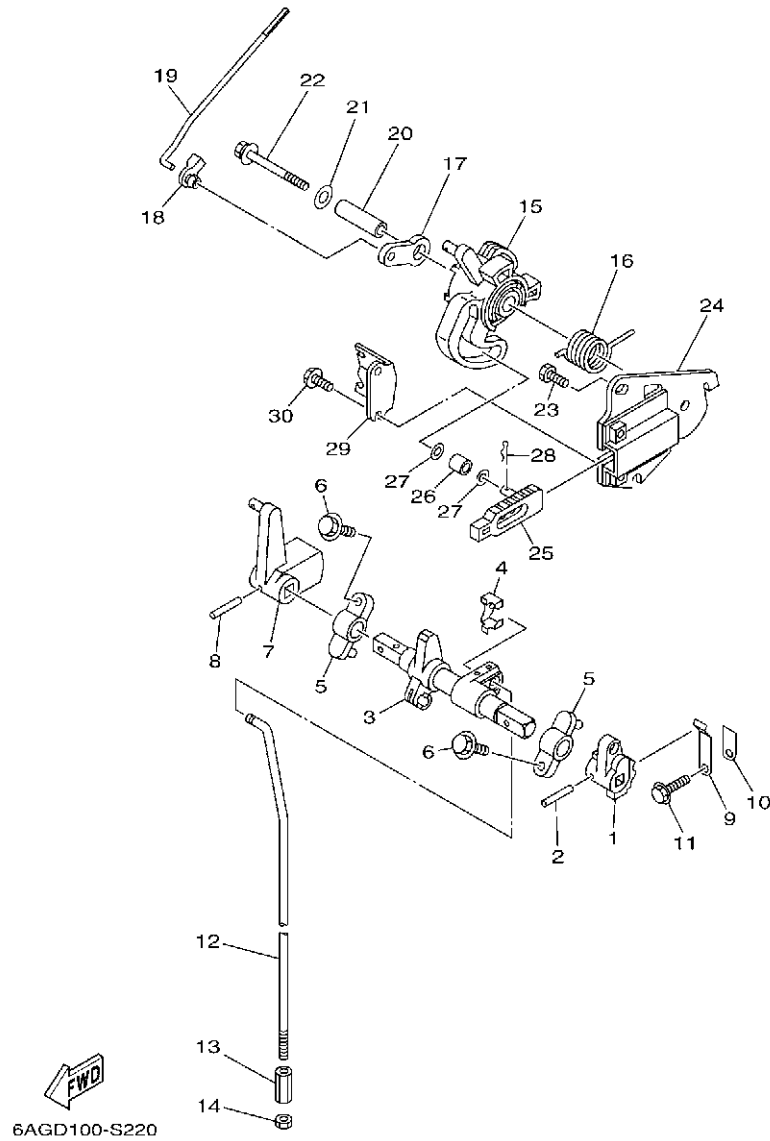


REF. NO.	PART NO. N° PIECES	DESCRIPTION DESCRIPTION	M/H	E/H	E	E/H	REMARKS REMARQUES
1	6AH-42508-01	STEERING FRICTION ASSY DIRECTION FRICTION (ENS.)	1	1			
2	68T-42525-01	.PLATE, FRICTION .PLAQUE, FRICTION	1	1			
3	90119-05018	.BOLT, WITH WASHER .BOULON, AVEC RONDELLE	2	2			
4	67C-42562-A0	.SHAFT, STEERING LOCK .ARBRE, ANTIVOL DE DIRECTION	1	1			
5	90202-10M56	.WASHER, PLATE .RONDELLE, PLATE	1	1			
6	68T-42561-00	.KNOB, STEERING LOCK .BOUTON	1	1			
7	689-43633-00	.COVER, TILT LEVER .COUVERCLE	1	1			
8	65W-42528-00	.PLATE, FRICTION .PLAQUE, FRICTION	2	2			
9	90387-05053	.COLLAR .COLLERETTE	1	1			
10	90387-05054	.COLLAR .COLLERETTE	1	1			
11	97595-05520	.BOLT, WITH WASHER .VIS HEXAGONAL AVEC RONDELLE	1	1			
12	90209-10M26	.WASHER .RONDELLE	1	1			
13	90185-10M14	.NUT, SELF-LOCKING .ECROU, AUTO-BLOQUANT	1	1			
14	6AH-42527-00	.PLATE, FRICTION .PLAQUE, FRICTION	1	1			
15	90101-08022	.BOLT .BOULON	2	2			
16	90201-08065	.WASHER, PLATE .RONDELLE, PLATE	2	2			
17	68T-43155-00	.MARK 1 .ETIQUETTE 1	1	1			
18	90201-106M5	.WASHER, PLATE .RONDELLE, PLATE	1	1			


6AGD300-S210

FIG. 22 CONTROL 1

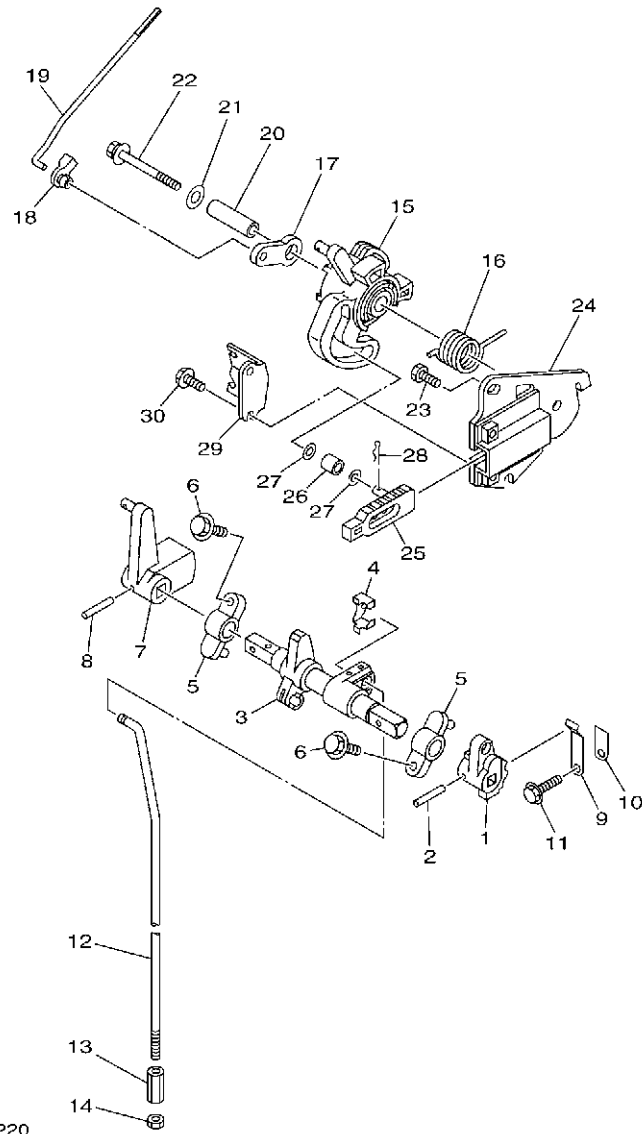
COMMANDE 1



REF. NO.	PART NO. N° PIECES	DESCRIPTION DESCRIPTION	M/H	E/H	E	EP	REMARKS REMARQUES
1	6AH-44123-00	ARM, SHIFT ROD BRAS, TIGE D'INVERSION	1	1			
2	90254-03M05	PIN, SPRING RIVET, TETE TRONCONIQUE	1	1			
3	6AH-44121-01	LEVER, SHIFT ROD LEVIER, TIGE D'INVERSION	1	1			
4	6AH-26364-00	END, CABLE 2 EMBOU, DE CABLE	1	1			
5	6G1-41662-01-94	BRACKET 2 SUPPORT 2	2	2			
6	97E95-06520	BOLT, HEXAGON W/W DEEP RECESS VIS HEXAGONAL AVC RONDELLE	2	2			
7	6AH-44125-00	LEVER, SHIFT ROD LEVIER, TIGE D'INVERSION	1	1			
8	90254-03M05	PIN, SPRING RIVET, TETE TRONCONIQUE	1	1			
9	65W-44116-00	SPRING RESSORT	1	1			
10	66R-44114-00	STOPPER PLAQUETTE	1	1			
11	95D95-06014	BOLT, FLANGE DEEP RECESS BOULON FIXATION	1	1			
12	6AH-44143-00 6AH-44143-10	ROD, SHIFT 1 TIGE D'EMBRAYAGE 1 ROD, SHIFT 1 TIGE D'EMBRAYAGE 1	1 1	1 1			S(17.1") S(17.1") L(22.1") L(22.1")
13	90170-06015	NUT ECROU	1	1			
14	95380-06700	NUT ECROU	1	1			
15	6AH-41638-00	PULLEY POULIE	1	1			
16	90508-20M44	SPRING, TORSION RESSORT, TORSION	1	1			
17	65W-41283-00	LEVER, FREE ACCEL. LEVIER	1	1			
18	6J8-41262-00	JOINT, CHOKE LEVER RACCORD, LEVIER DE STARTER	1	1			
19	6AH-41211-00	LINK, ACCEL. BIELLETTE, ACCELERATION	1	1			
20	90387-06139	COLLAR COLLERETTE	1	1			
21	90201-06M31	WASHER, PLATE RONDELLE, PLATE	1	1			
22	97E95-06555	BOLT, HEXAGON W/W DEEP RECESS VIS HEXAGONAL AVC RONDELLE	1	1			
23	97D95-06014	BOLT, HEXAGON DEEP RECESS VIS HEXAGONAL	2	2			
24	6AH-14571-00	BRACKET, THROTTLE SUPPORT, ACCELERATEUR	1	1			
25	6AH-44167-10	PLUNGER, SHIFT CAM POUSSOIR D'EMBRAYAGE	1	1			
26	62Y-42171-00	BUSHING COUSSINET	1	1			

FIG. 22 CONTROL 1

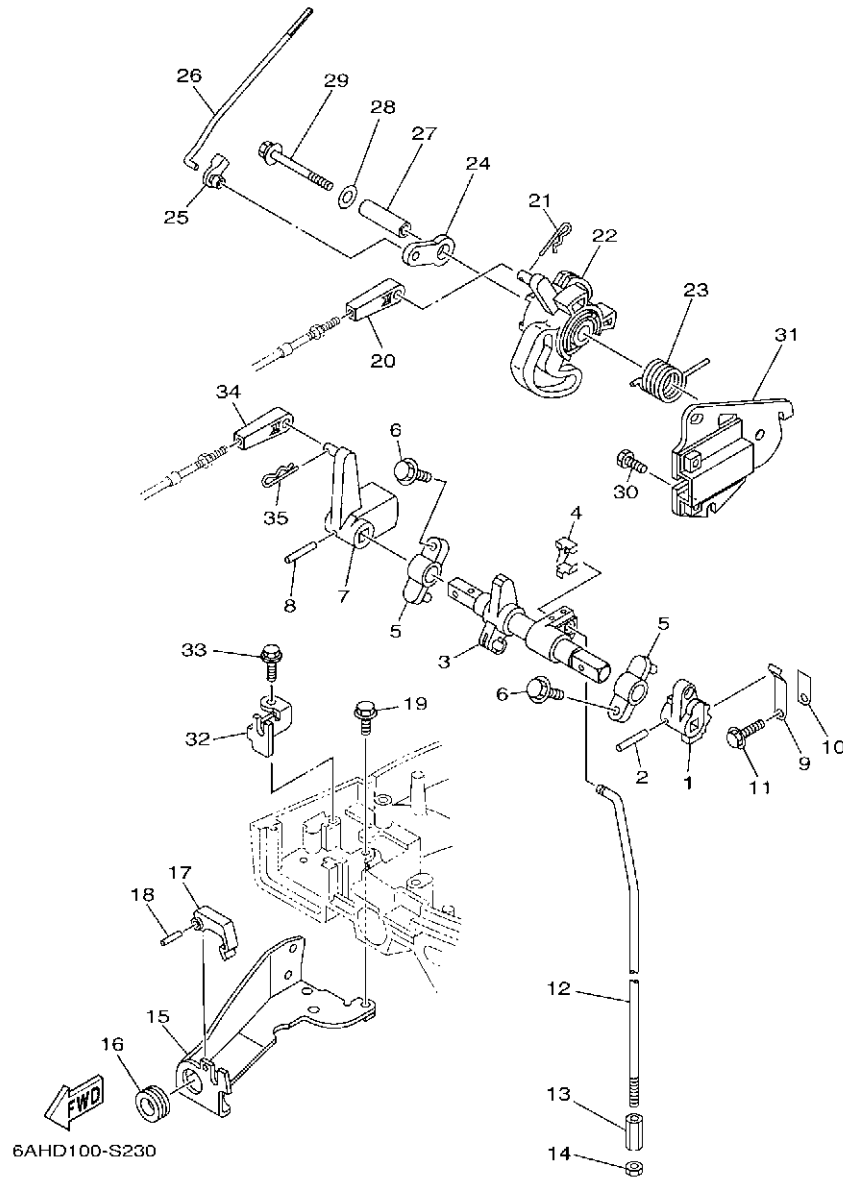
COMMANDE 1



REF. NO.	PART NO. N° PIECES	DESCRIPTION DESCRIPTION	M/H	E/H	E	EP	REMARKS REMARQUES
27	90201-05M04	WASHER, PLATE RONDELLE, PLATE	2	2			
28	90468-10005	CLIP JONC	1	1			
29	6AH-14497-00	STAY, THROTTLE WIRE SUPPORT DE BOISSEAU	1	1			
30	97E95-06514	BOLT, HEXAGON W/W DEEP RECESS VIS HEXAGONAL AVC RONDELLE	2	2			

FIG. 23 CONTROL 2

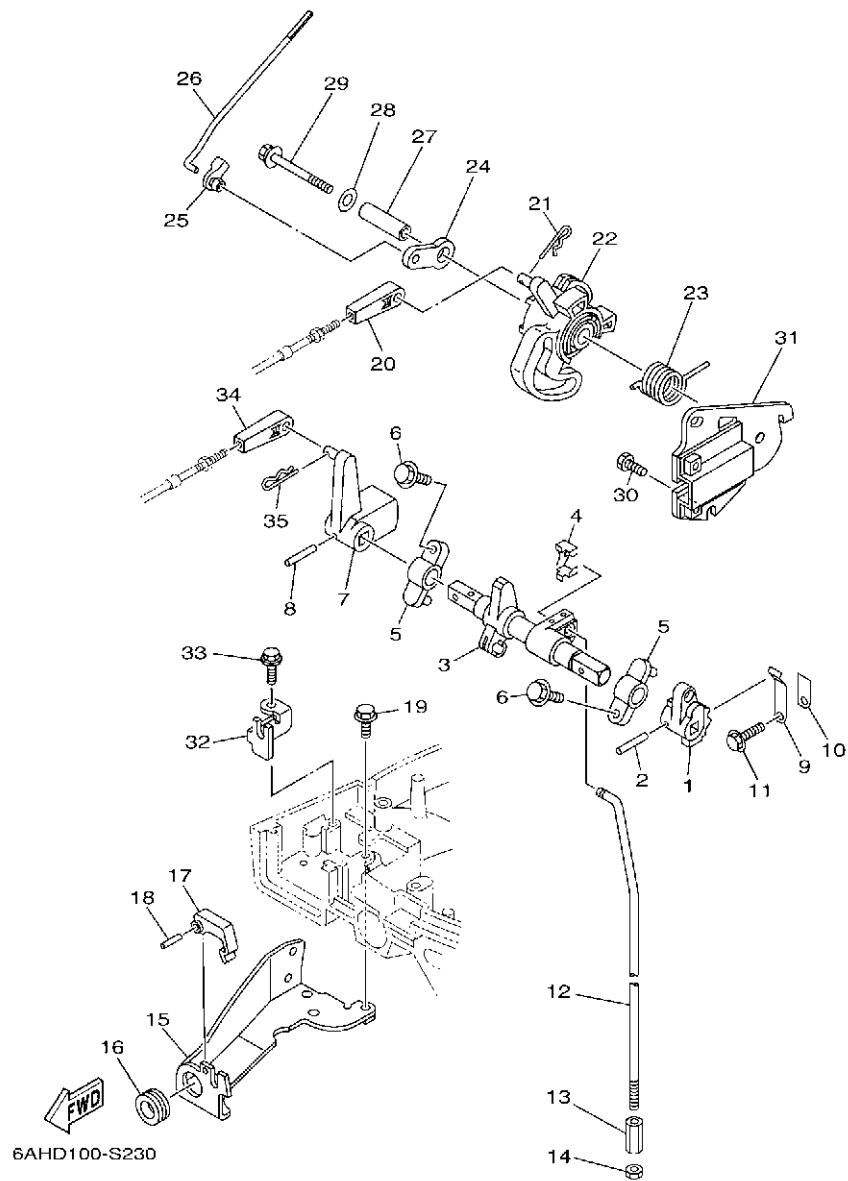
COMMANDE 2



REF. NO.	PART NO. N° PIECES	DESCRIPTION DESCRIPTION	M/H	E/H	U	U	REMARKS REMARQUES
1	6AH-44123-00	ARM, SHIFT ROD BRAS, TIGE D'INVERSION			1	1	
2	90254-03M05	PIN, SPRING RIVET, TETE TRONCONIQUE			1	1	
3	6AH-44121-01	LEVER, SHIFT ROD LEVIER, TIGE D'INVERSION			1	1	
4	6AH-26364-00	END, CABLE 2 EMBOU, DE CABLE			1	1	
5	6G1-41662-01-94	BRACKET 2 SUPPORT 2			2	2	
6	97E95-06520	BOLT, HEXAGON W/W DEEP RECESS VIS HEXAGONAL AVC RONDELLE			2	2	
7	6AH-44125-00	LEVER, SHIFT ROD LEVIER, TIGE D'INVERSION			1	1	
8	90254-03M05	PIN, SPRING RIVET, TETE TRONCONIQUE			1	1	
9	65W-44116-00	SPRING RESSORT			1	1	
10	66R-44114-00	STOPPER PLAQUETTE			1	1	
11	95D95-06014	BOLT, FLANGE DEEP RECESS BOULON FIXATION			1	1	
12	6AH-44143-00 6AH-44143-10	ROD, SHIFT 1 TIGE D'EMBRAYAGE 1 ROD, SHIFT 1 TIGE D'EMBRAYAGE 1			1	1	S(17.1") S(17.1") L(22.1") L(22.1")
13	90170-06015	NUT ECROU			1	1	
14	95380-06700	NUT ECROU			1	1	
15	6AH-48532-00	BRACKET, REMOTE CONTROL 2 ETRIER 2, COMMANDE A DISTANCE			1	1	
16	90480-19031	GROMMET PASSE-FIL			1	1	
17	682-48538-50	CLAMP, CABLE 1 COLLIER			1	1	
18	91690-30012	PIN, SPRING AGRAFFE			1	1	
19	97E95-06514	BOLT, HEXAGON W/W DEEP RECESS VIS HEXAGONAL AVC RONDELLE			2	2	
20	6FM-48344-00	CABLE END, REMOTE CONTROL CHAPE CABLE			1	1	
21	90468-18008	CLIP JONC			1	1	
22	6AH-41638-00	PULLEY POULIE			1	1	
23	90508-20M44	SPRING, TORSION RESSORT, TORSION			1	1	
24	65W-41283-00	LEVER, FREE ACCEL. LEVIER			1	1	
25	6J8-41262-00	JOINT, CHOKE LEVER RACCORD, LEVIER DE STARTER			1	1	
26	6AH-41211-00	LINK, ACCEL. BIELLETTTE, ACCELERATION			1	1	

FIG. 23 CONTROL 2

COMMANDE 2

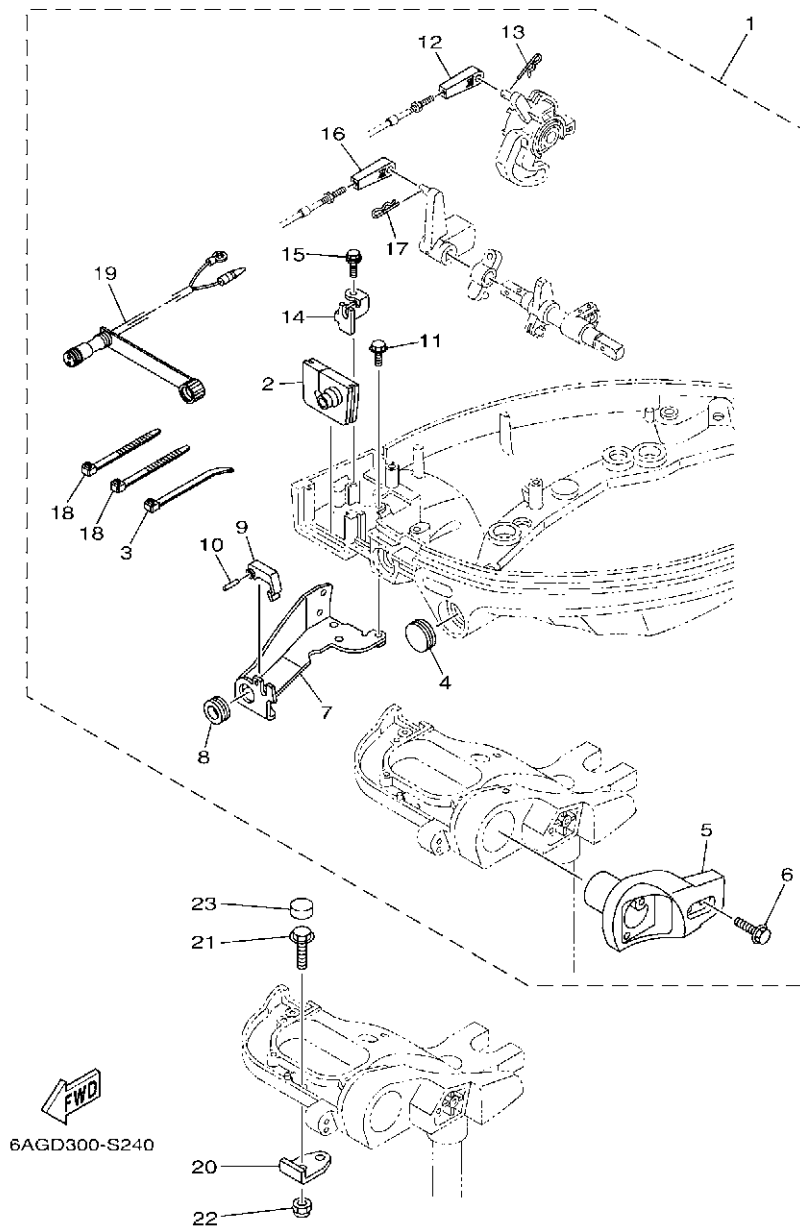


6AHD100-S230

REF. NO.	PART NO. N° PIECES	DESCRIPTION DESCRIPTION	M/H	E/H	U	U ₂	REMARKS REMARQUES
27	90387-06139	COLLAR COLLERETTE			1	1	
28	90201-06M31	WASHER, PLATE RONDELLE, PLATE			1	1	
29	97E95-06555	BOLT, HEXAGON W/W DEEP RECESS VIS HEXAGONAL AVC RONDELLE			1	1	
30	97D95-06014	BOLT, HEXAGON DEEP RECESS VIS HEXAGONAL			2	2	
31	6AH-14571-00	BRACKET, THROTTLE SUPPORT, ACCELERATEUR			1	1	
32	6AH-48531-00	BRACKET, REMOTE CONTROL 1 ETRIER 1, COMMANDE A DISTANCE			1	1	
33	90109-06M86	BOLT BOULON			1	1	
34	6FM-48344-00	CABLE END, REMOTE CONTROL CHAPE CABLE			1	1	
35	90468-18008	CLIP JONC			1	1	

FIG. 24 REMO CON ATTACHMENT

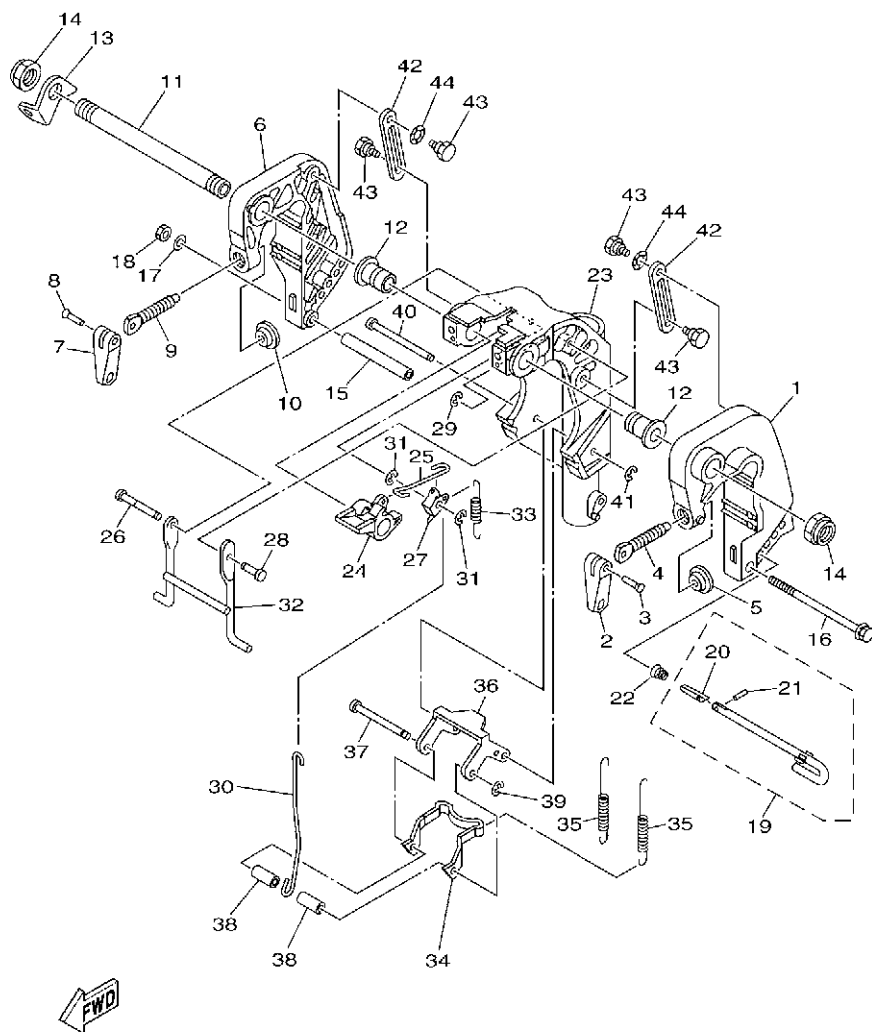
COMMANDE A DISTANCE



REF. NO.	PART NO. N° PIECES	DESCRIPTION DESCRIPTION	M/H	E/H	E	E/H	REMARKS REMARQUES
1	6AH-48501-01	REMOTE CONT. ATTACHMENT ASSY. COMMANDE A DISTANCE (KIT)	1	1			AP AP
2	6AH-42724-10	.GROMMET .PASSE-FIL	1	1			
3	90465-11M10	.CLAMP .BRIDE	1	1			
4	65W-42726-10	.GROMMET .PASSE-FIL	1	1			
5	6AH-83773-00	.BRACKET, SWITCH .JOINT TORIQUE, COMMUTATEUR	1	1			
6	97E95-06530	.BOLT, HEXAGON W/W DEEP RECESS .VIS HEXAGONAL AVC RONDELLE	2	2			
7	6AH-48532-00	.BRACKET, REMOTE CONTROL 2 .ETRIER 2, COMMANDE A DISTANCE	1	1			
8	90480-19031	.GROMMET .PASSE-FIL	1	1			
9	682-48538-50	.CLAMP, CABLE 1 .COLLIER	1	1			
10	91690-30012	.PIN, SPRING .AGRAFFE	1	1			
11	97E95-06514	.BOLT, HEXAGON W/W DEEP RECESS .VIS HEXAGONAL AVC RONDELLE	2	2			
12	6FM-48344-00	.CABLE END, REMOTE CONTROL .CHAPE CABLE	1	1			
13	90468-18008	.CLIP .JONC	1	1			
14	6AH-48531-00	.BRACKET, REMOTE CONTROL 1 .ETRIER 1, COMMANDE A DISTANCE	1	1			
15	90109-06M86	.BOLT .BOULON	1	1			
16	6FM-48344-00	.CABLE END, REMOTE CONTROL .CHAPE CABLE	1	1			
17	90468-18008	.CLIP .JONC	1	1			
18	90465-13M18	.CLAMP .BRIDE	2	2			
19	6D5-84340-00	.SOCKET CORD ASSY 1 .DOUILLE	1	1			
20	6AH-48511-01	HOOK, STEERING ATTACHE, DIRECTION	1	1			AP AP
21	97E95-08525	BOLT, HEXAGON W/W DEEP RECESS VIS HEXAGONAL AVC RONDELLE	1	1			AP AP
22	90185-08057	NUT, SELF-LOCKING ECROU, AUTO-BLOQUANT	1	1			AP AP
23	6AH-44194-00	CAP CAPUCHON	1	1			AP AP

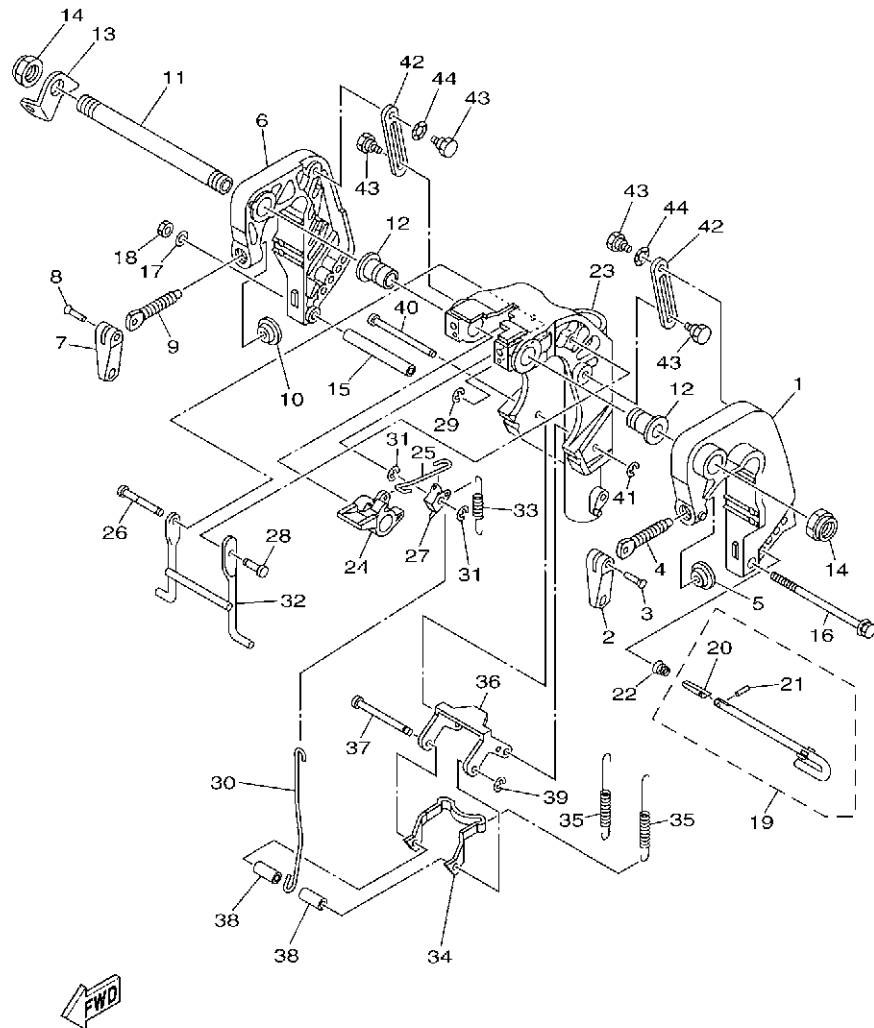
FIG. 25 BRACKET 1

SUPPORT 1



6AH8700-M240

REF. NO.	PART NO. N° PIECES	DESCRIPTION DESCRIPTION	M/H	E/H	L	EP	REMARKS REMARQUES
1	6AH-43111-00-8D	BRACKET, CLAMP 1 PRESSE 1	1	1	1		
2	6E0-43118-01	HANDLE, TRANSOM CLAMP POIGNEE DE VIS DE PRESSE	1	1	1		
3	90243-04M01	PIN GOUPILLE	1	1	1		
4	6E7-43116-00	SCREW, TRANSOM CLAMP VIS DE PRESSE	1	1	1		
5	648-43114-01	PAD, TRANSOM CLAMP RONDELLE D'APPUI	1	1	1		
6	6AH-43112-00-8D	BRACKET, CLAMP 2 PRESSE 2	1	1	1		
7	6E0-43118-01	HANDLE, TRANSOM CLAMP POIGNEE DE VIS DE PRESSE	1	1	1		
8	90243-04M01	PIN GOUPILLE	1	1	1		
9	6E7-43116-00	SCREW, TRANSOM CLAMP VIS DE PRESSE	1	1	1		
10	648-43114-01	PAD, TRANSOM CLAMP RONDELLE D'APPUI	1	1	1		
11	69A-43131-00	BOLT, CLAMP BRACKET BOULON, PRESSE	1	1	1		FOR REMOTE CONTROL FOR REMOTE CONTROL
12	90386-22MA4	BUSH DOUILLE	2	2	2		
13	66R-43113-00	PLATE, CLAMP BRACKET PLAQUETTE, PRESSE	1	1	1		
14	90185-22043	NUT, SELF-LOCKING ECROU, AUTO-BLOQUANT	2	2	2		
15	90387-06M13	COLLAR COLLERETTE	1	1	1		
16	90101-06M18	BOLT BOULON	1	1	1		
17	92995-06600	WASHER RONDELLE	1	1	1		
18	95380-06700	NUT ECROU	1	1	1		
19	6L2-43160-01	TILT ROD ASSY BROCHE D'INCLINAISON (ENS.)	1	1	1		
20	689-43165-00	.PLATE, TILT LOCK .TAQUET, BROCHE INCLINAISON	1	1	1		
21	91690-30008	.PIN, SPRING .AGRAFFE	1	1	1		
22	90502-10M07	SPRING, CONICAL RESSORT, CONIQUE	1	1	1		
23	6AH-43311-00-8D 6AH-43311-10-8D	BRACKET, SWIVEL 1 SUPPORT, PIVOT 1 BRACKET, SWIVEL 1 SUPPORT, PIVOT 1	1 1	1 1	1 1		S(17.1") S(17.1") L(22.1") L(22.1")
24	6DR-43631-00	LEVER, TILT LEVIER, INCLINAISON	1	1	1		
25	6DR-43616-00	ROD, TILT LOCK TIGE	1	1	1		
26	6AH-43646-10	SHAFT, LEVER AXE, LEIVER	1	1	1		



6AH8700-M240

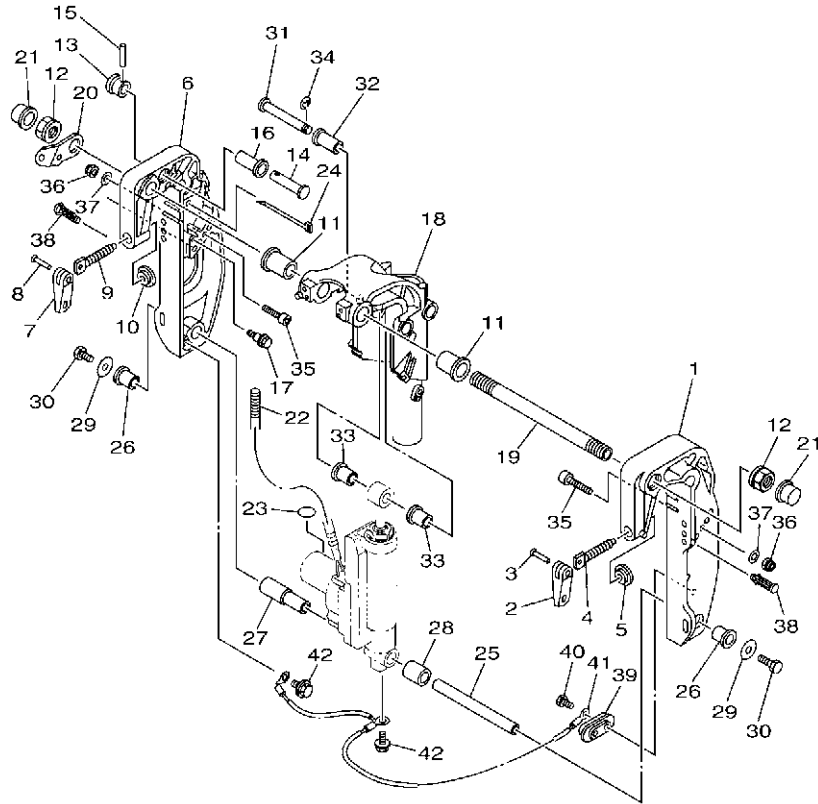
FIG. 25 BRACKET 1

SUPPORT 1

REF. NO.	PART NO. N° PIECES	DESCRIPTION DESCRIPTION	M/H	E/H	U	EP	REMARKS REMARQUES
27	6DR-43641-00	LEVER, TILT LEVIER, INCLINAISON	1	1	1		
28	6AH-43191-10	SHAFT, STOPPER AXE, BUTEE	1	1	1		
29	99080-05600	CIRCLIP CIRCLIP	1	1	1		
30	6AH-43617-00	ROD, TILT LOCK TIGE	1	1	1		
31	99080-05600	CIRCLIP CIRCLIP	2	2	2		
32	6AH-43350-00	RECEIVER ASSY RECEIVER ASSY	1	1	1		
33	90506-18014	SPRING, TENSION RESSORT, TENSION	1	1	1		
34	6AH-43614-00	PLATE, TILT LOCK ETRIER, VERROUILLAGE MARCHE AR	1	1	1		
35	90506-20020	SPRING, TENSION RESSORT, TENSION	2	2	2		
36	6AH-43615-00	PLATE, TILT LOCK ETRIER, VERROUILLAGE MARCHE AR	1	1	1		
37	68T-43611-00	SHAFT, TILT LOCK AXE, VERROUILLAGE MARCHE AR	1	1	1		
38	90387-06138	COLLAR COLLERETTE	2	2	2		
39	93430-04M03	CIRCLIP CLIPS	1	1	1		
40	68T-43659-00	SHAFT, REVERSE LOCK AXE, VERROUILLAGE MARCHE AR	1	1	1		
41	99080-05600	CIRCLIP CIRCLIP	1	1	1		
42	6AH-43627-00	STOPPER PLAQUETTE	2	2	2		
43	90109-06M84	BOLT BOULON	4	4	4		
44	90206-10M24	WASHER, WAVE RONDELLE, ONDULEE	2	2	2		

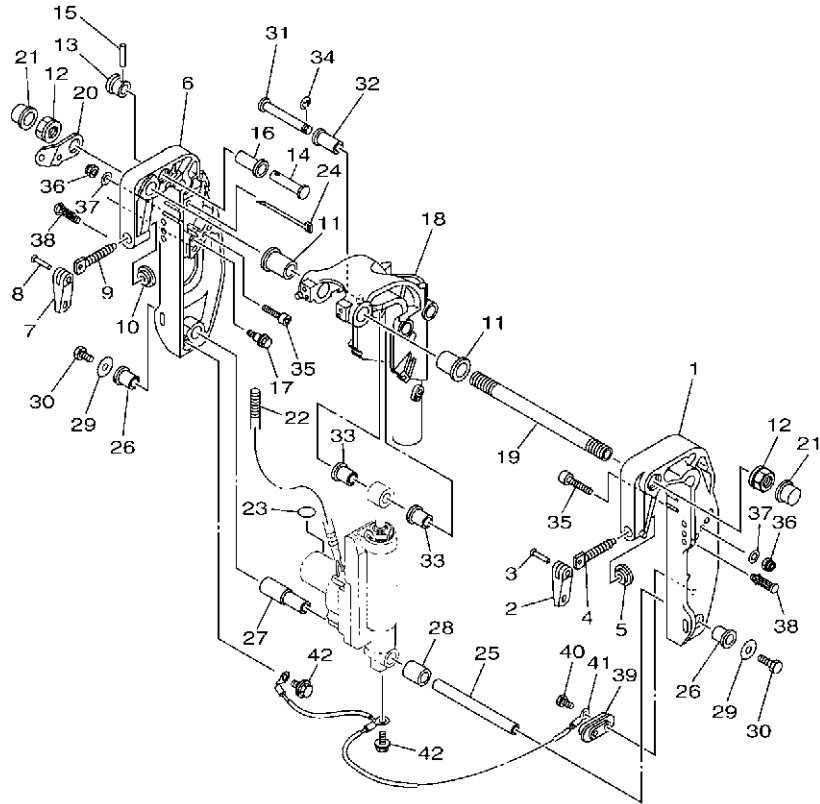
FIG. 26 BRACKET 2

SUPPORT 2




6AGB100-Q240

REF. NO.	PART NO. N° PIECES	DESCRIPTION DESCRIPTION	MH	EH	E	EP	REMARKS REMARQUES
1	69A-43111-01-8D	BRACKET, CLAMP 1 PRESSE 1				1	
2	6E0-43118-01	HANDLE, TRANSOM CLAMP POIGNEE DE VIS DE PRESSE				1	
3	90243-04M01	PIN GOUILLE				1	
4	6E7-43116-00	SCREW, TRANSOM CLAMP VIS DE PRESSE				1	
5	648-43114-01	PAD, TRANSOM CLAMP RONDELLE D'APPUI				1	
6	69A-43112-02-8D	BRACKET, CLAMP 2 PRESSE 2				1	
7	6E0-43118-01	HANDLE, TRANSOM CLAMP POIGNEE DE VIS DE PRESSE				1	
8	90243-04M01	PIN GOUILLE				1	
9	6E7-43116-00	SCREW, TRANSOM CLAMP VIS DE PRESSE				1	
10	648-43114-01	PAD, TRANSOM CLAMP RONDELLE D'APPUI				1	
11	90386-22MA4	BUSH DOUILLE				2	
12	90185-22043	NUT, SELF-LOCKING ECROU, AUTO-BLOQUANT				2	
13	65W-43192-00	KNOB, STOPPER BOUTON, BUTEE DE RELEVAGE				1	
14	65W-43191-00	SHAFT, STOPPER AXE, BUTEE				1	
15	91690-30018	PIN, SPRING AGRAFFE				1	
16	90386-14MA1	BUSH DOUILLE				1	
17	90109-06MA1	BOLT BOULON				1	
18	6AH-43311-20-8D	BRACKET, SWIVEL 1 SUPPORT, PIVOT 1				1	S(17.1") S(17.1")
	69A-43311-11-8D	BRACKET, SWIVEL 1 SUPPORT, PIVOT 1				1	L(22.1") L(22.1")
19	69A-43131-00	BOLT, CLAMP BRACKET BOULON, PRESSE				1	FOR REMOTE CONTROL FOR REMOTE CONTROL
20	69A-43113-00	PLATE, CLAMP BRACKET PLAQUETTE, PRESSE				1	
21	6G5-43145-01	CAP, CLAMP BRACKET CAPUCHON, PRESSE				2	
22	90446-14MH7	HOSE (L560) DURITE (L560)				1	
23	69A-43155-00	MARK 1 ETIQUETTE 1				1	
24	90465-13M97	CLAMP BRIDE				1	
25	69G-43818-00	PIN, LOWER SHOCK MOUNT AXE, INFERIEUR AMORTISSEUR				1	
26	90386-16MA7	BUSH DOUILLE				2	



6AGB100-Q240

FIG. 26 BRACKET 2

SUPPORT 2

REF. NO.	PART NO. N° PIECES	DESCRIPTION DESCRIPTION	M/H	E/H	E	Q. U.	REMARKS REMARQUES
27	90386-16MA8	BUSH DOUILLE				1	
28	90387-16M02	COLLAR COLLERETTE				1	
29	90201-08M00	WASHER, PLATE RONDELLE, PLATE				2	
30	97080-08016	BOLT BOULON				2	
31	90249-12M36	PIN GOUILLE				1	
32	90381-12M10	BUSH, SOLID DOUILLE, SOLIDE				1	
33	90381-12M11	BUSH, SOLID DOUILLE, SOLIDE				2	
34	99080-10600	CIRCLIP CIRCLIP				1	
35	90110-08081	BOLT, HEXAGON SOCKET HEAD BOULON, TETE HEXAGONALE CREUSE				2	
36	90185-08057	NUT, SELF-LOCKING ECROU, AUTO-BLOQUANT				2	
37	92990-08600	WASHER, PLATE RONDELLE, PLATE				2	
38	90338-08M19	PLUG PLOT				4	S(17.1")
	90338-08M19	PLUG PLOT				2	L(22.1") L(22.1")
39	65W-45251-00	ANODE ANODE				1	
40	90101-06020	BOLT BOULON				2	
41	63V-82127-00	WIRE, LEAD 2 FIL 2				1	
42	97E95-06510	BOLT, HEXAGON W/W DEEP RECESS VIS HEXAGONAL AVC RONDELLE				2	

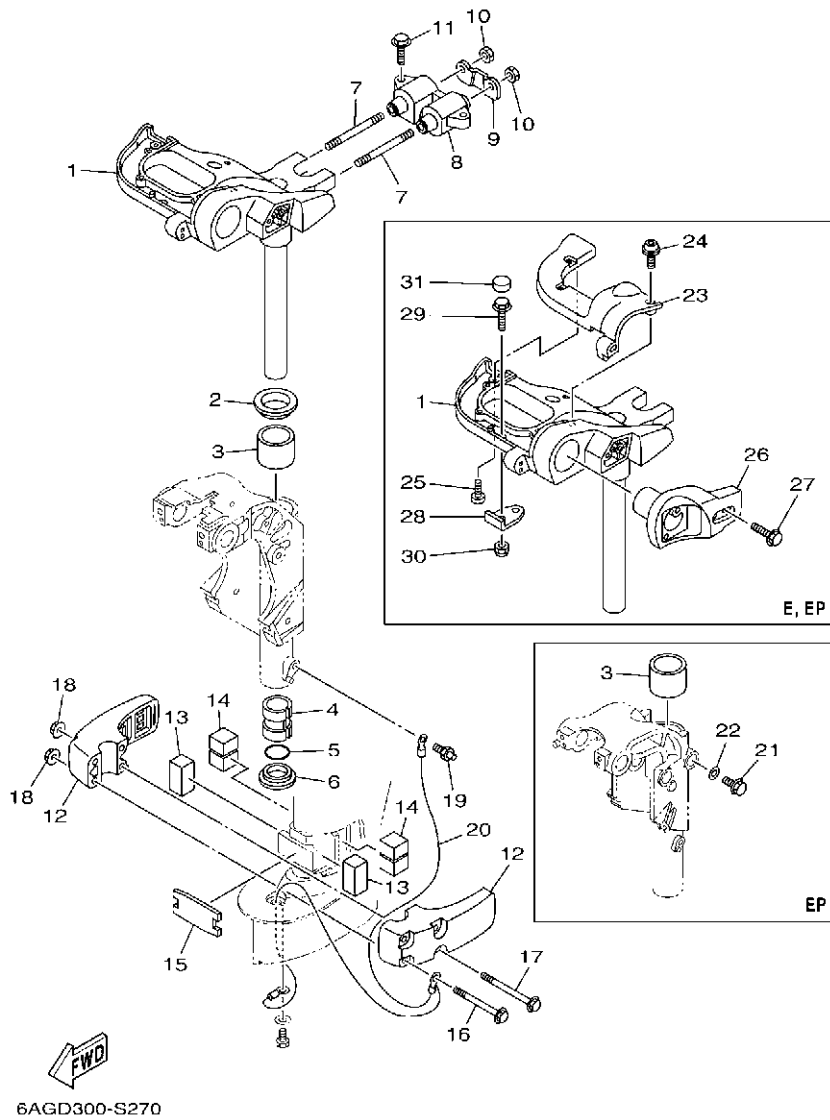


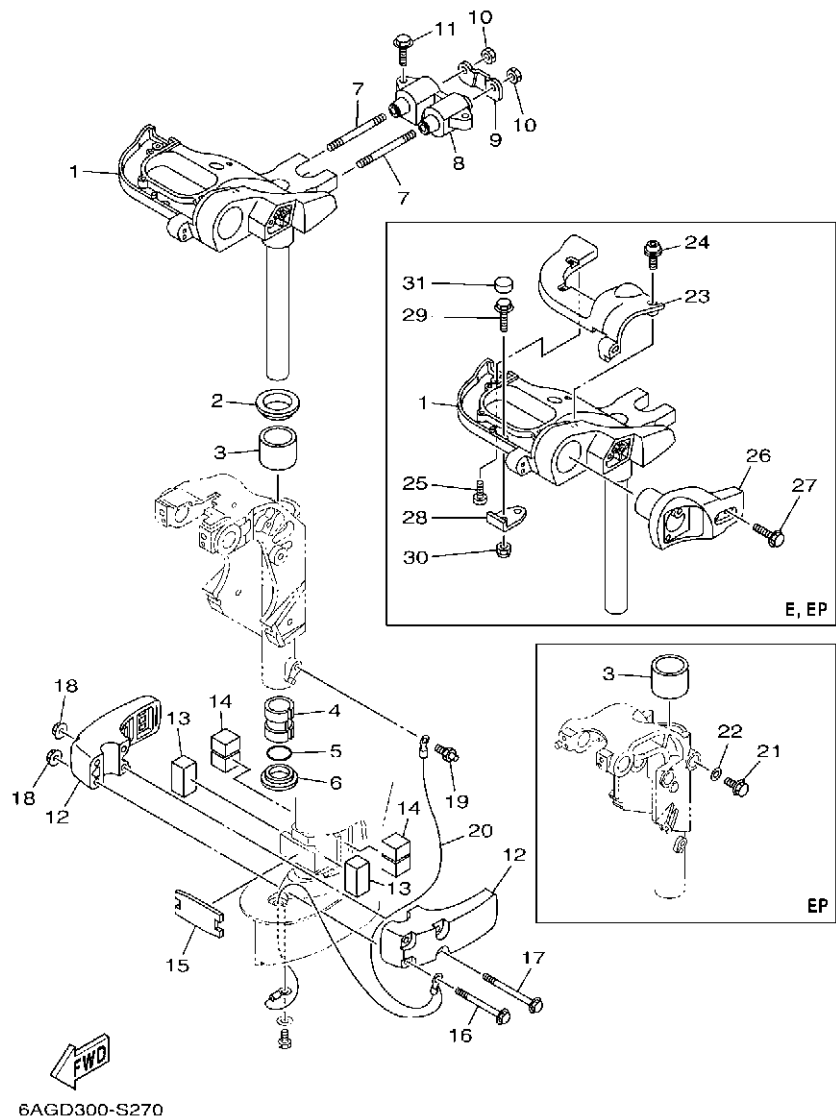
FIG. 27 BRACKET 3

SUPPORT 3

REF. NO.	PART NO. N° PIECES	DESCRIPTION DESCRIPTION	M/H	L/H	L	L	REMARKS REMARQUES
1	6AH-42510-00-8D	STEERING BRACKET ASSY DIRECTION SUPPORT (ENS.)	1	1	1	1	S(17.1") S(17.1")
	6AH-42510-10-8D	STEERING BRACKET ASSY DIRECTION SUPPORT (ENS.)	1	1	1	1	L(22.1") L(22.1")
2	90209-40008	WASHER RONDELLE	1	1	1	1	
3	90386-40001	BUSH DOUILLE	1	1	1	1	
4	90386-30048	BUSH DOUILLE	1	1	1	1	
5	93210-29M94	O-RING JOINT TORIQUE	1	1	1	1	
6	90386-30M60	BUSH DOUILLE	1	1	1	1	
7	90116-10033	BOLT, STUD GOUJON	2	2	2	2	
8	6AH-44514-00	MOUNT DAMPER, UPPER SIDE SILENT-BLOC, SUPERIEUR LATERAL	1	1	1	1	
9	6AH-44526-00	PLATE PLAQUE	1	1	1	1	
10	95380-10600	NUT ECROU	2	2	2	2	
11	90119-08094	BOLT, WITH WASHER BOULON, AVEC RONDELLE	2	2	2	2	
12	6AH-44551-A0-8D	HOUSING, LOWER MOUNT RUBBER 1 BOITIER, SILENT-BLOC INFERIEUR	2	2	2	2	
13	6AH-44557-00	MOUNT DAMPER, LOWER FRONT SILENT-BLOC, INFERIEUR AVANT	2	2	2	2	
14	6AH-44555-00	MOUNT DAMPER, LOWER SIDE SILENT-BLOC, INFERIEUR LATERAL	2	2	2	2	
15	6AH-44574-00	STOPPER, LOWER MOUNT RUBBER BUTEE	1	1	1	1	
16	90119-08M45	BOLT, WITH WASHER BOULON, AVEC RONDELLE	2	2	2	2	
17	90119-08M46	BOLT, WITH WASHER BOULON, AVEC RONDELLE	2	2	2	2	
18	90179-08M34	NUT ECROU	4	4	4	4	
19	93700-06M03	NIPPLE, GREASE PION	1	1	1	1	
20	6AH-82127-00	WIRE, LEAD 2 FIL 2	1	1	1	1	EP-S(17.1") EP-S(17.1")
	6AH-82127-11	WIRE, LEAD 2 FIL 2				1	L(22.1") L(22.1")
21	97E95-06514	BOLT, HEXAGON W/W DEEP RECESS VIS HEXAGONAL AVC RONDELLE				1	
22	92995-06600	WASHER RONDELLE				1	
23	6AH-42532-B0	COVER COUVERCLE			1	1	
24	90111-06072	BOLT, HEX. SOCKET BUTTON BOULON			4	4	
25	97780-60520	SCREW, TAPPING VIS, TETE BOMBEE			1	1	

FIG. 27 BRACKET 3

SUPPORT 3



REF. NO.	PART NO. N° PIECES	DESCRIPTION DESCRIPTION	M/H	E/H	E	EP	REMARKS REMARQUES
26	6AH-83773-00	BRACKET, SWITCH JOINT TORIQUE, COMMUTATEUR			1	1	
27	97E95-06530	BOLT, HEXAGON W/W DEEP RECESS VIS HEXAGONAL AVC RONDELLE			2	2	
28	6AH-48511-01	HOOK, STEERING ATTACHE, DIRECTION			1	1	
29	97E95-08525	BOLT, HEXAGON W/W DEEP RECESS VIS HEXAGONAL AVC RONDELLE			1	1	
30	90185-08057	NUT, SELF-LOCKING ECROU,AUTO-BLOQUANT			1	1	
31	6AH-44194-00	CAP CAPUCHON			1	1	

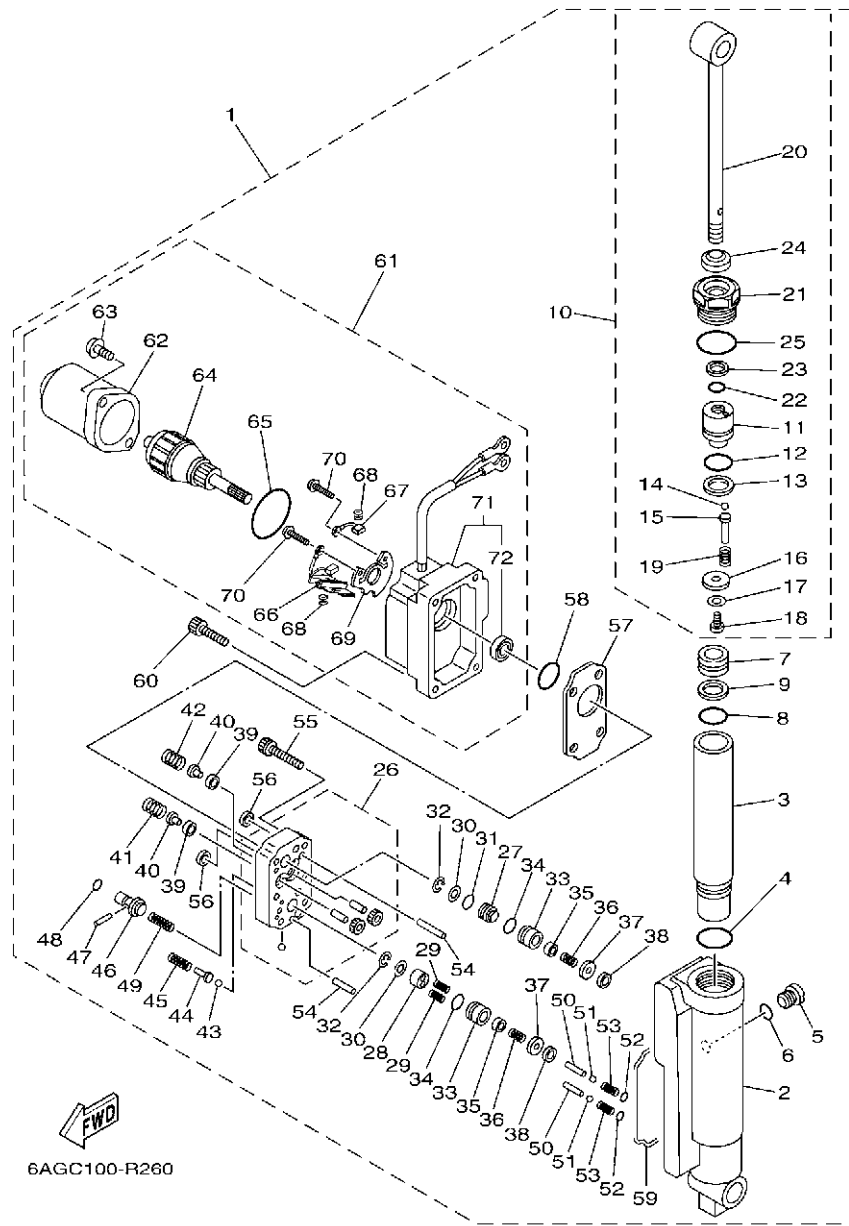


FIG. 28 POWER TILT ASSY

PUISSANCE PARER ET INCLINER

REF. NO.	PART NO. N° PIECES	DESCRIPTION DESCRIPTION	MH	EH	E	EP	REMARKS REMARQUES
1	6AH-43840-02-8D	POWER TILT ASSY PUISSANCE INCLINER (ENS.)				1	
2	6AH-4380K-00	.CYLINDER, TILT SUB ASSY .CYLINDRE				1	
3	6AH-22471-00	.CYLINDER, SHOCK ABSORBER .CYLINDRE, AMORTISSEUR				1	
4	93210-320A7	.O-RING				1	
5	6H1-4388E-11	.JOINT TORIQUE .PLUG, TAPER SCREW .BOUCHON				1	
6	93210-07003	.O-RING				1	
7	6AH-43814-00	.JOINT TORIQUE .PISTON, FREE .PISTON				1	
8	93210-24709	.O-RING				1	
9	6C5-43871-00	.JOINT TORIQUE .RING, BACK UP .SEGMENT				1	
10	6AH-43810-00	.TILT PISTON SUB ASSY .INCLINER PISTON AUXILIAIRE(ENS)				1	
11	6AH-4380D-00	.PISTON COMP. .PISTON COMP.				1	
12	93210-24709	.O-RING				1	
13	6C5-43871-00	.JOINT TORIQUE .RING, BACK UP .SEGMENT				1	
14	93501-08001	.BALL .BILLE				5	
15	6AH-4386A-00	.PIN, ABSORBER VALVE .GOUPILLE, SOUPAPE				5	
16	6AH-4385E-00	.PLATE, PISTON .PLAQUE DE PISTON				1	
17	92902-06200	.WASHER .RONDELLE				1	
18	6AH-43878-00	.BOLT, SOCKET .BOULON				1	
19	6AH-43857-00	.SPRING, ABSORBER VALVE .RESSORT				5	
20	6AH-43801-00	.ROD .TIGE				1	
21	6AH-43811-00	.SCREW, CYLINDER END .VIS, CYLINDRE RACCORD				1	
22	6H1-43866-01	.O-RING .JOINT TORIQUE				1	
23	69A-43871-00	.RING, BACK UP .SEGMENT				1	
24	69A-43812-00	.SEAL, DUST .JOINT				1	
25	62X-43862-00	.O-RING .JOINT TORIQUE				1	
26	6AH-43830-00	.GEAR PUMP ASSY .POMPE A PIGNON (ENS.)				1	
27	69A-43841-00	.PISTON, SHUTTLE .PISTON				1	

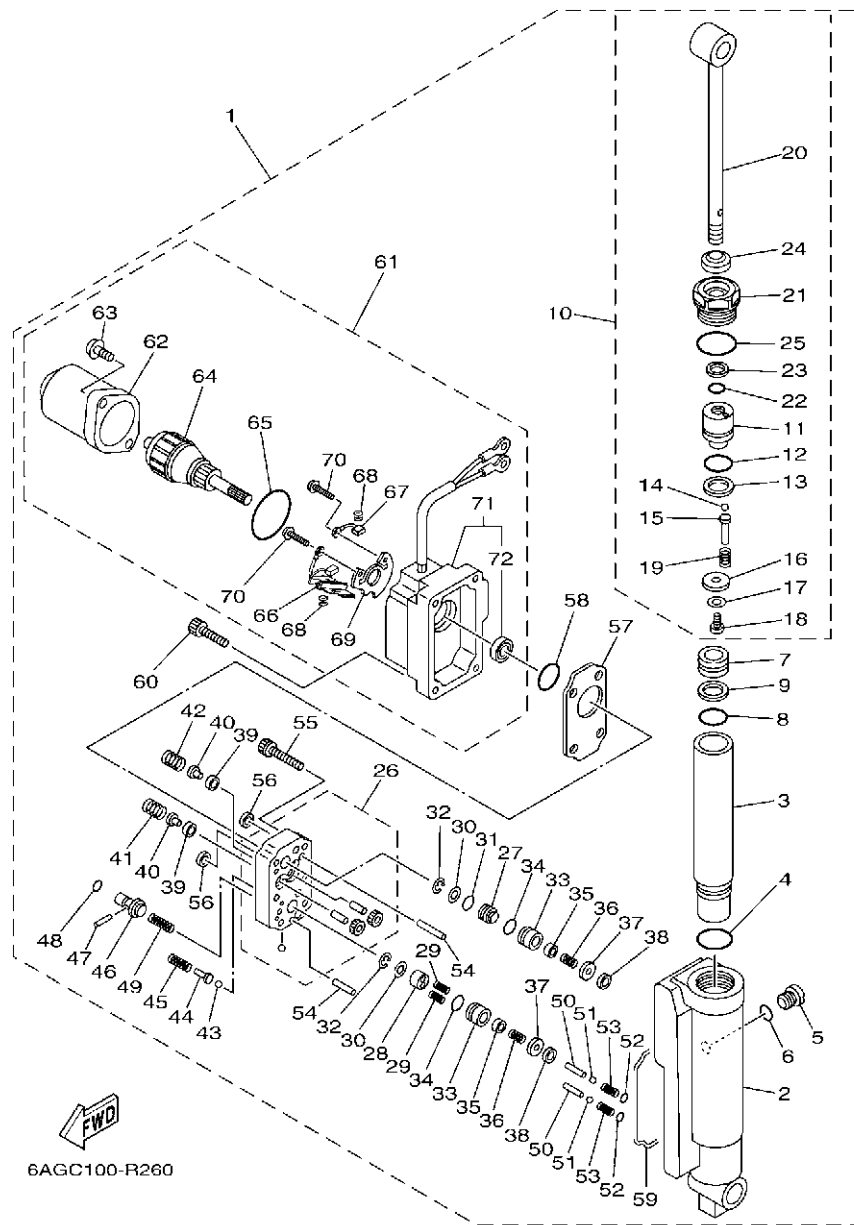
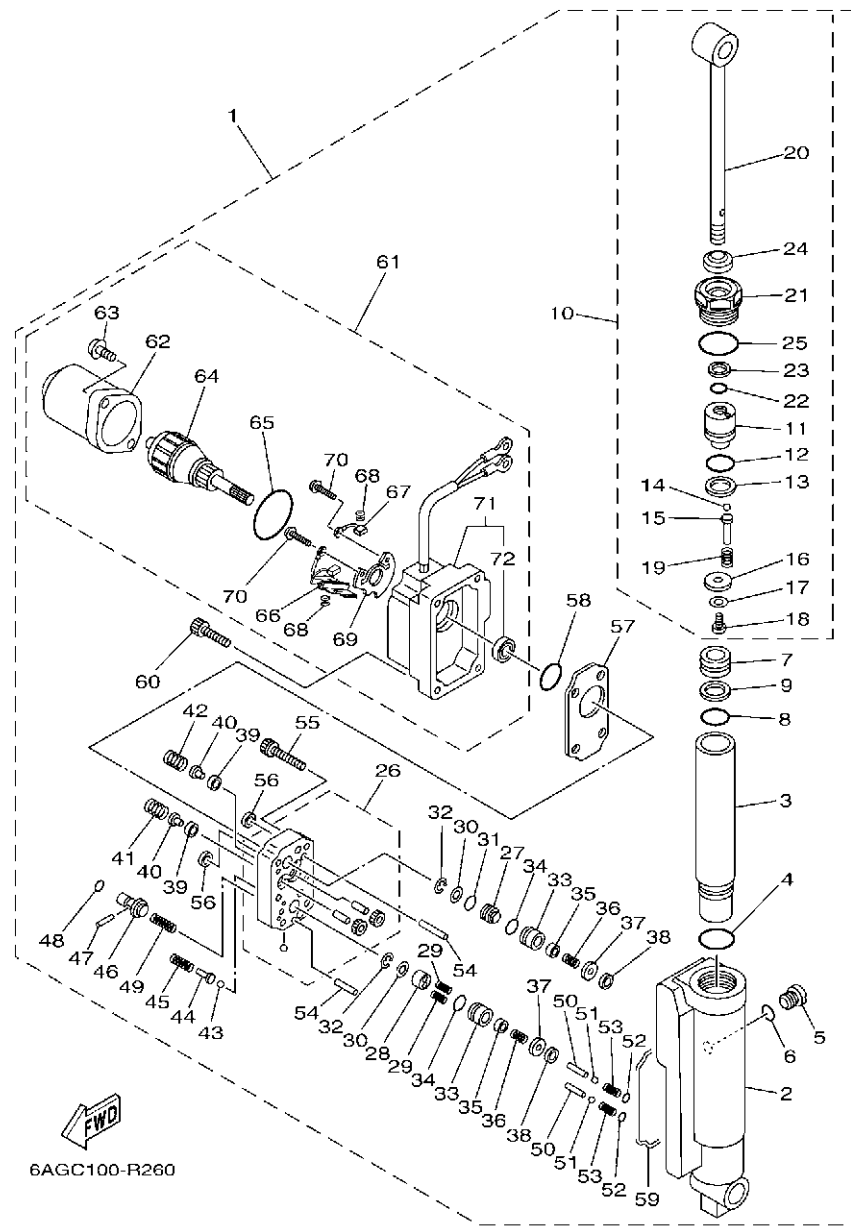


FIG. 28 POWER TILT ASSY

PUISSANCE PARER ET INCLINER

REF. NO.	PART NO. N° PIÈCES	DESCRIPTION DESCRIPTION	M/H	E/H	E	Q. U.	REMARKS REMARQUES
28	69A-4384M-00	.PISTON, SHUTTLE 2 .PISTON 2				1	
29	62Y-43894-00	.SPRING, SHUTTLE RETURN .RESSORT				2	
30	69A-4384F-00	.SEAL, MAIN VALVE .JOINT				2	
31	6H1-43883-00	.O-RING .JOINT TORIQUE				1	
32	99002-03600	.CIRCLIP .CIRCLIP				2	
33	69G-4382G-00	.VALVE SEAT .JEU DE POINTEAUX				2	
34	93210-12N52	.O-RING .JOINT TORIQUE				2	
35	6T4-43808-00	.SEAT VALVE COMP. 1 .SIEGE VALVE COMP. 1				2	
36	69G-43853-00	.SPRING, MAIN VALVE .RESSORT				2	
37	69G-4388F-00	.SPACER .ENTRETOISE				2	
38	69J-4381C-00	.FILTER 3 .FILTRE 3				2	
39	6H1-4384G-11	.SEAL, RELIEF VALVE .JOINT				2	
40	6H1-43844-10	.PIN, VALVE SUPPORT .GOUPILLE				2	
41	6F2-43855-00	.SPRING, UP RELIEF .RESSORT				1	
42	6H1-43856-10	.SPRING, DOWN RELIEF .RESSORT				1	
43	93501-08001	.BALL .BILLE				2	
44	69A-4386A-00	.PIN, ABSORBER VALVE .GOUPILLE, SOUPAPE				2	
45	69A-43824-00	.SPRING, DOWN RELIEF 2 .RESSORT 2				2	
46	69A-43848-10	.ROD, MANUAL RELEASE .TIGE				1	
47	93602-15250	.PIN, DOWEL .GOUJON				1	
48	93210-06001	.O-RING .JOINT TORIQUE				1	
49	6AH-43854-00	.SPRING, MANUAL RELEASE .RESSORT				1	
50	69A-4381G-00	.PIN 1 .GOUPILLE 1				2	
51	93501-08001	.BALL .BILLE				2	
52	6H1-43883-00	.O-RING .JOINT TORIQUE				2	
53	69A-4384H-00	.SPRING .RESSORT				2	
54	93606-14081	.PIN, DOWEL .GOUPILLE				2	



6AGC100-R260

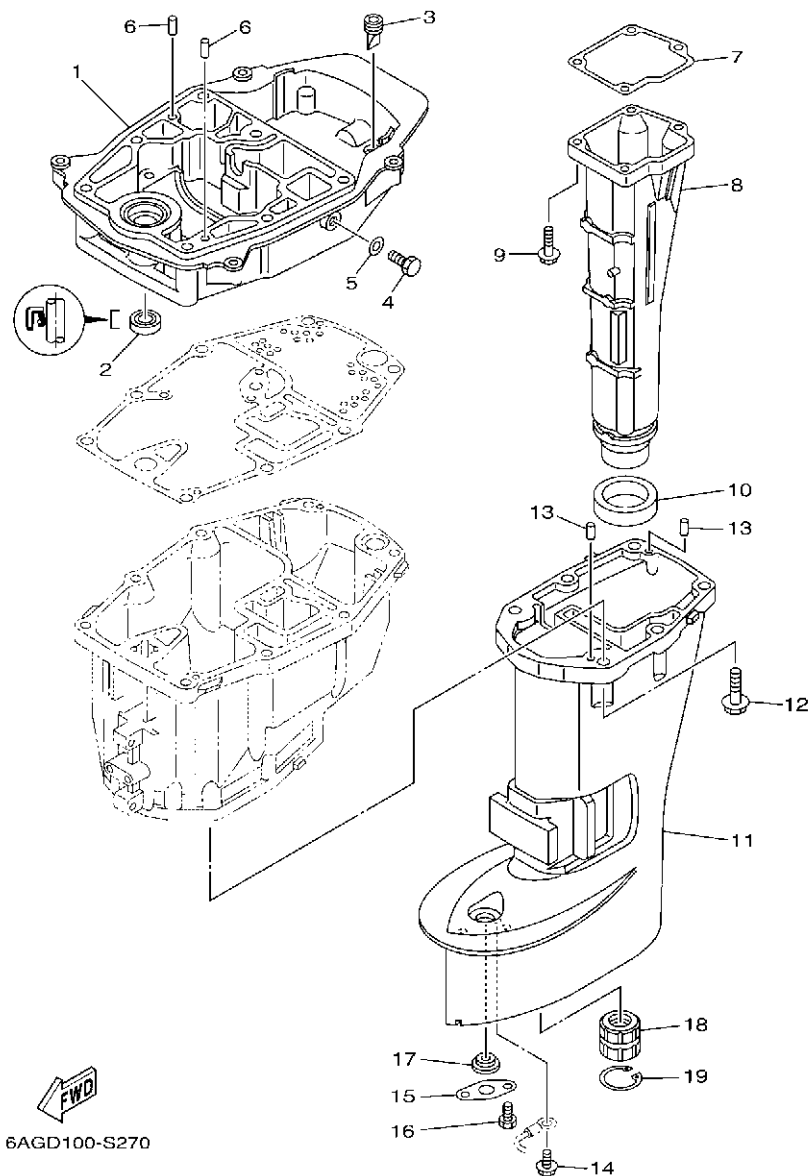
FIG. 28 POWER TILT ASSY

PUISSANCE PARER ET INCLINER

REF. NO.	PART NO. N° PIECES	DESCRIPTION DESCRIPTION	M/H	E/H	E	Q	REMARKS REMARQUES
55	91312-05025	.BOLT, HEXAGON SOCKET HEAD .BOULON, TETE HEXAGONALE CREUSE				6	
56	69J-4381C-00	.FILTER 3 .FILTRE 3				2	
57	6AH-4381J-00	.PLATE .PLAQUE				1	
58	N35-43862-10	.O-RING .JOINT TORIQUE				1	
59	69A-23129-00	.GASKET, DRAIN PLUG .JOINT, PLOT DE VIDANGE				1	
60	69A-43878-00	.BOLT, SOCKET .BOULON				4	
61	6AH-43880-00	.MOTOR ASSY .MOTEUR (ENS.)				1	
62	6AH-43804-00	.STATOR ASSY .STATOR (ENS.)				1	
63	67C-43879-10	.SCREW, WITH WASHER .VIS, AVEC RONDELLE				2	
64	67C-43805-11	.ARMATURE ASSY .INDUIT (ENS.)				1	
65	67C-43862-10	.O-RING .JOINT TORIQUE				1	
66	67C-82181-10	.CIRCUIT BREAKER COMP. .RUPTEUR COMPLET				1	
67	67C-43892-10	.BRUSH 2 .BALAI 2				1	
68	67C-4386K-10	.SPRING, BRUSH .RESSORT, BALAI				2	
69	67C-4380F-10	.PLATE, BRUSH HOLDER .PLAQUE				1	
70	97602-04316	.SCREW, PAN HEAD WITH WASHER .VIS, AVEC RONDELLE				2	
71	6AH-43881-00	.FRAME, END .BATI				1	
72	67C-43882-10	.OIL SEAL .JOINT SPI				1	

FIG. 29 UPPER CASING

FOURREAU

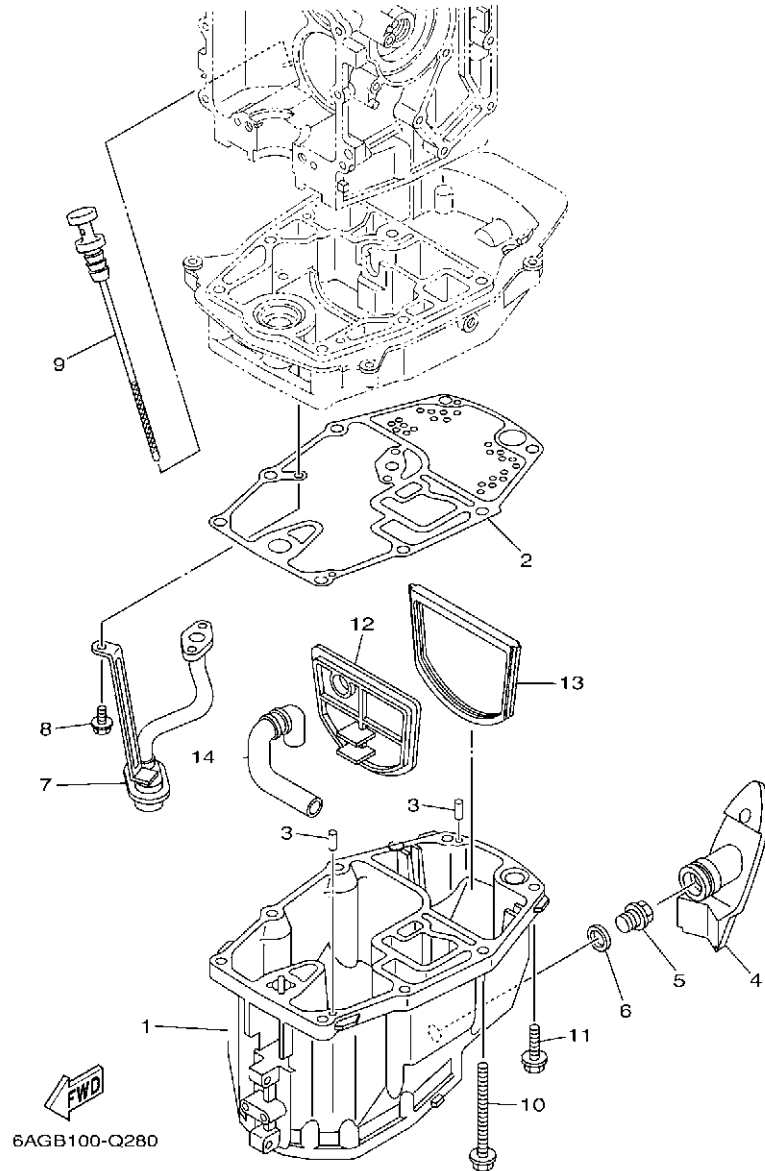


6AGD100-S270

REF. NO.	PART NO. N° PIECES	DESCRIPTION DESCRIPTION	M/H	E/H	L	E	REMARKS REMARQUES
1	6AH-41137-00-CA	GUIDE, EXHAUST COLLECTEUR D'ECHAPPEMENT	1	1	1	1	
2	93101-12M63	OIL SEAL JOINT SPY	1	1	1	1	
3	65W-42717-00	RUBBER, SEAL 2 JOINT EN CAOUTCHOUC 2	1	1	1	1	
4	97D95-08014	BOLT, HEXAGON DEEP RECESS VIS HEXAGONAL	1	1	1	1	
5	90430-08143	GASKET JOINT	1	1	1	1	
6	93606-19M23	PIN, DOWEL GOUPILLE	2	2	2	2	
7	6AH-41134-00	GASKET, EXHAUST MANIFOLD JOINT, PIPE D'ECHAPPEMENT	1	1	1	1	
8	6AH-14711-00-CA	MUFFLER 1 POT D'ECHAPPEMENT 1	1	1	1	1	S(17.1") S(17.1")
	6AH-14711-A0-CA	MUFFLER 1 POT D'ECHAPPEMENT 1	1	1	1	1	L(22.1") L(22.1")
9	97E75-06525	BOLT, HEXAGON W/W DEEP RECESS VIS HEXAGONAL AVC RONDELLE	4	4	4	4	
10	6AH-41138-00	SEAL, EXT. 1 JOINT DE GROUPE 1	1	1	1	1	
11	6AH-45111-00-8D	CASING, UPPER FOURREAU	1	1	1	1	S(17.1") S(17.1")
	6AH-45111-10-8D	CASING, UPPER FOURREAU	1	1	1	1	L(22.1") L(22.1")
12	97E75-08530	BOLT, HEXAGON W/W DEEP RECESS VIS HEXAGONAL AVC RONDELLE	6	6	6	6	
13	93604-12M07	PIN, DOWEL CLAVETTE	2	2	2	2	
14	97595-05510	BOLT HEX. HEAD VIS HEXAGONAL AVC RONDELLE	1	1	1	1	
15	68T-45321-00	PLATE PLAQUETTE	1	1	1	1	
16	97D95-06008	BOLT, HEXAGON DEEP RECESS VIS HEXAGONAL	1	1	1	1	
17	90480-14M54	GROMMET PASSE-FIL	1	1	1	1	
18	682-45318-00	BUSHING, DRIVE SHAFT DOUILLE, ARBRE MOTEUR	1	1	1	1	L(22.1") L(22.1")
19	93420-30042	CIRCLIP CIRCLIP, TYPE S	1	1	1	1	L(22.1") L(22.1")

FIG. 30 OIL PAN

VENTILATEUR D'HUILE



REF. NO.	PART NO. N° PIECES	DESCRIPTION DESCRIPTION	M/H	E/T	L	E	REMARKS REMARQUES
1	6AH-15311-00-CA	OIL PAN VENTILATEUR D'HUILE	1	1	1	1	
2	6AH-15312-10	GASKET, OIL PAN JOINT DE VENTILATEUR D'HUILE	1	1	1	1	
3	93604-12M07	PIN, DOWEL CLAVETTE	2	2	2	2	
4	6AH-15316-00	DAMPER 1 AMORTISSEUR 1	1	1	1	1	
5	90340-14M06	PLUG, STRAIGHT SCREW PLOT, FILETE DROIT	1	1	1	1	
6	90430-14M09	GASKET JOINT	1	1	1	1	
7	6AH-13411-00	STRAINER, OIL FILTRE, HUILE	1	1	1	1	
8	97513-06516	BOLT, WITH WASHER VIS HEXAGONAL AVC RONDELLE	3	3	3	3	
9	6AH-15362-10	PLUG, OIL LEVEL PLOT, NIVEAU D'HUILE	1	1	1	1	
10	90119-08103	BOLT, WITH WASHER BOULON, AVEC RONDELLE	6	6	6	6	
11	97E75-08530	BOLT, HEXAGON W/W DEEP RECESS VIS HEXAGONAL AVC RONDELLE	2	2	2	2	
12	6AH-45126-00	PLATE, SEAL DAMPER PLAQUETTE	1	1	1	1	
13	6AH-45115-00	GASKET, UPPER CASING JOINT, TUBE D'ARBRE	1	1	1	1	
14	6AH-45135-00	PIPE TUYAU	1	1	1	1	

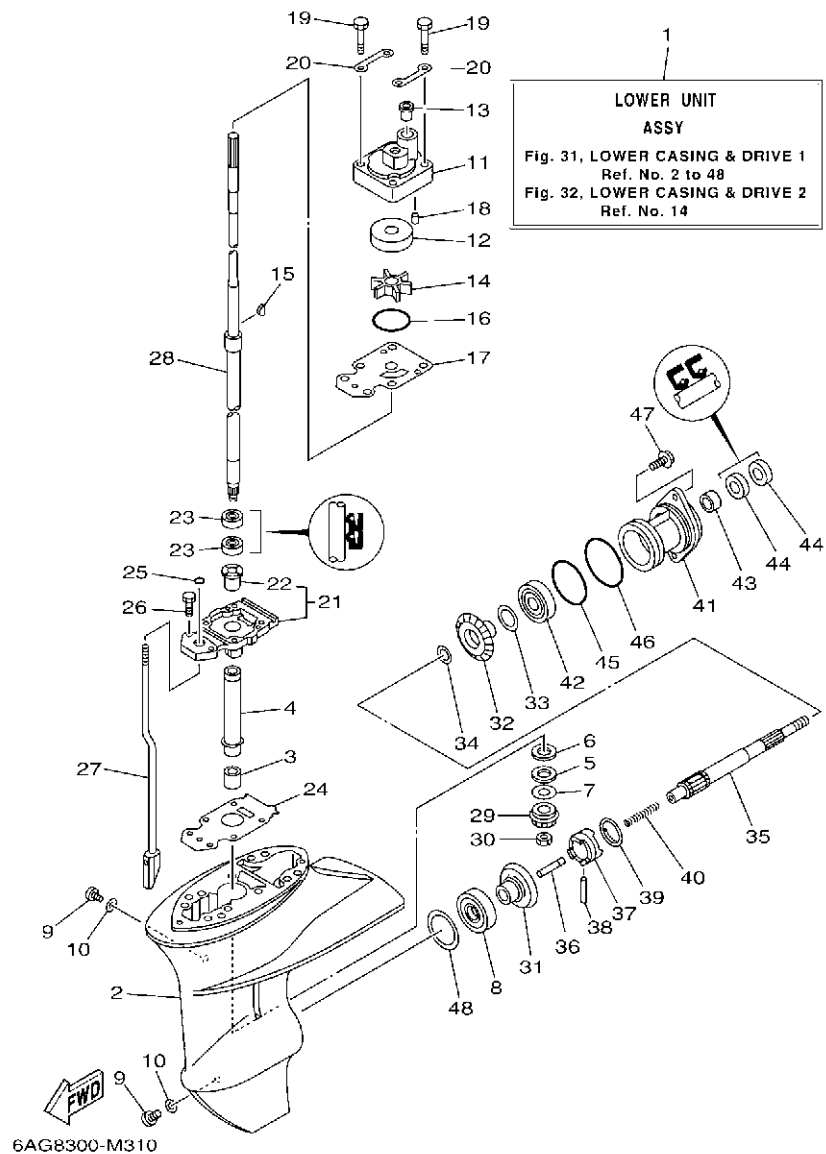


FIG. 31 LOWER CASING & DRIVE 1

BOITIER D'HELICE TRANSMISSION1

REF. NO.	PART NO. N° PIECES	DESCRIPTION DESCRIPTION	MFT	U-T	W	U-T	REMARKS REMARQUES
1	6AH-45300-01-8D	LOWER UNIT ASSY UNITE INFERIEURE (ENS.)	1	1	1	1	S(17.1") S(17.1")
	6AH-45300-11-8D	LOWER UNIT ASSY UNITE INFERIEURE (ENS.)	1	1	1	1	L(22.1") L(22.1")
2	6AH-45311-00-8D	CASING, LOWER BOITIER D'HELICE	1	1	1	1	
3	93315-314V8	BEARING ROULEMENT	1	1	1	1	
4	63V-45536-00	SLEEVE, DRIVE SHAFT MANCHON, ARBRE MOTEUR	1	1	1	1	
5	90209-14011	WASHER RONDELLE	1	1	1	1	
6	90201-15017	WASHER, PLATE RONDELLE, PLATE	1	1	1	1	
7	6E8-45587-10	SHIM (T:1.13MM) CALE (T:1.13MM)	1	1	1	1	UR
	6E8-45587-30	SHIM (T:1.20MM) CALE (T:1.20MM)	1	1	1	1	UR
8	93332-00005	BEARING ROULEMENT	1	1	1	1	UR
9	90340-08002	PLUG, STRAIGHT SCREW PLOT, FILETE DROIT	2	2	2	2	
10	90430-08003	GASKET JOINT	2	2	2	2	
11	6AH-44311-00	HOUSING, WATER PUMP CORPS, POMPE A EAU	1	1	1	1	
12	63V-44322-00	INSERT, CARTRIDGE CUVETTE	1	1	1	1	
13	6L2-44367-00	DAMPER, WATER SEAL 3 JOINT TUBE D'EAU 3	1	1	1	1	
14	63V-44352-01	IMPELLER TURBINE	1	1	1	1	
15	664-44338-00	KEY, WOODRUFF CLAVETTE, VOLANT	1	1	1	1	
16	93210-49046	O-RING JOINT TORIQUE	1	1	1	1	
17	68T-44323-00	OUTER PLATE, CARTRIDGE PLAQUE EXTERIEURE	1	1	1	1	
18	93604-12M07	PIN, DOWEL CLAVETTE	2	2	2	2	
19	97D95-08045	BOLT, HEXAGON DEEP RECESS VIS HEXAGONAL	4	4	4	4	
20	63V-44328-01	PLATE PLAQUETTE	2	2	2	2	
21	69G-45331-01-CA	HOUSING, BEARING FLASQUE, ROULEMENT	1	1	1	1	
22	626-45316-09	BUSHING, DRIVE SHAFT DOUILLE, ARBRE MOTEUR	1	1	1	1	
23	93101-20001	OIL SEAL JOINT SPY	2	2	2	2	
24	69G-45315-A0	PACKING, LOWER CASING JOINT, BOITIER D'HELICE	1	1	1	1	
25	93210-06ME6	O-RING JOINT TORIQUE	1	1	1	1	

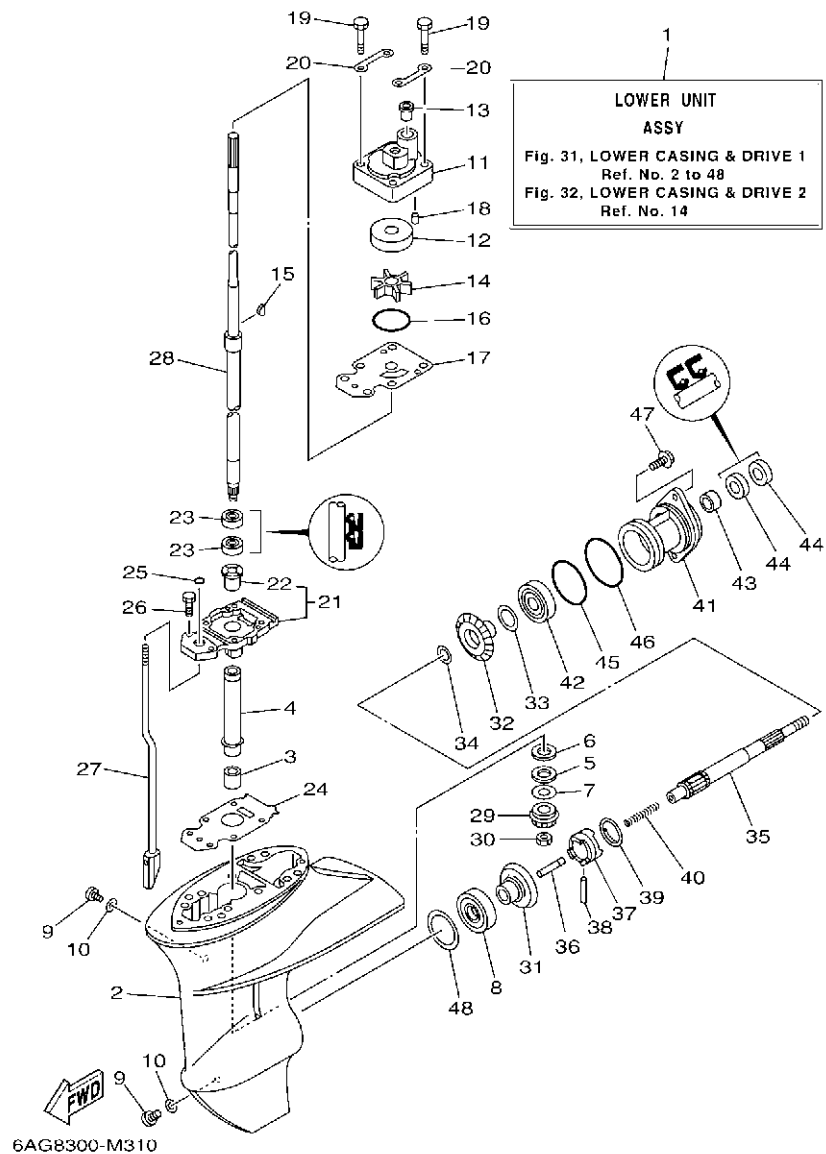


FIG. 31 LOWER CASING & DRIVE 1

BOITIER D'HELICE TRANSMISSION1

REF. NO.	PART NO. N° PIECES	DESCRIPTION DESCRIPTION	MFT	U-T	W	U-T	REMARKS REMARQUES
26	97080-08025	BOLT BOULON	2	2	2	2	
27	6AH-44150-00	SHIFT CAM ASSY CAME D'INVERSION	1	1	1	1	S(17.1") S(17.1")
	6AH-44150-10	SHIFT CAM ASSY CAME D'INVERSION	1	1	1	1	L(22.1") L(22.1")
28	6AH-45510-00	DRIVE SHAFT ASSY ARBRE MOTEUR (ENS.)	1	1	1	1	S(17.1") S(17.1")
	6AH-45510-10	DRIVE SHAFT ASSY ARBRE MOTEUR (ENS.)	1	1	1	1	L(22.1") L(22.1")
29	63V-45551-00	PINION (13T) PIGNON D'ATTAQUE (13D)	1	1	1	1	
30	90179-08M06	NUT ECROU	1	1	1	1	
31	6E7-45560-01	GEAR 1 (27T) PIGNON 1 (27T)	1	1	1	1	
32	6E7-45571-00	GEAR 2 (27T) PIGNON 2 (27T)	1	1	1	1	
33	626-45577-00	SHIM (T:0.10MM) CALE (T:0.10MM)	1	1	1	1	UR UR
	626-45577-10	SHIM (T:0.20MM) CALE (T:0.20MM)	1	1	1	1	UR UR
	626-45577-20	SHIM (T:0.30MM) CALE (T:0.30MM)	1	1	1	1	UR UR
	626-45577-30	SHIM (T:0.40MM) CALE (T:0.40MM)	1	1	1	1	UR UR
	626-45577-40	SHIM (T:0.50MM) CALE (T:0.50MM)	1	1	1	1	UR UR
34	90201-17682	WASHER, PLATE RONDELLE, PLATE	1	1	1	1	
35	683-45611-00	SHAFT, PROPELLER ARBRE, HELICE	1	1	1	1	
36	650-45635-00	PLUNGER, SHIFT POUSSOIR D'EMBRAYAGE	1	1	1	1	
37	682-45631-00	CLUTCH, DOG CRABOT	1	1	1	1	
38	90250-05010	PIN, STRAIGHT GOUPILLE, DROITE	1	1	1	1	
39	648-45633-11	RING, CROSS PIN JONC, GOUPILLE CRABOT	1	1	1	1	
40	90501-150A0	SPRING, COMPRESSION RESSORT, COMPRESSION	1	1	1	1	
41	683-45361-02-8D	CAP, LOWER CASING COUVERCLE, BOITIER D'HELICE	1	1	1	1	
42	93306-00501	BEARING ROULEMENT	1	1	1	1	
43	93315-317U2	BEARING ROULEMENT	1	1	1	1	
44	93101-17054	OIL SEAL JOINT SPY	2	2	2	2	
45	93210-57M09	O-RING JOINT TORIQUE	1	1	1	1	
46	93210-56M80	O-RING JOINT TORIQUE	1	1	1	1	

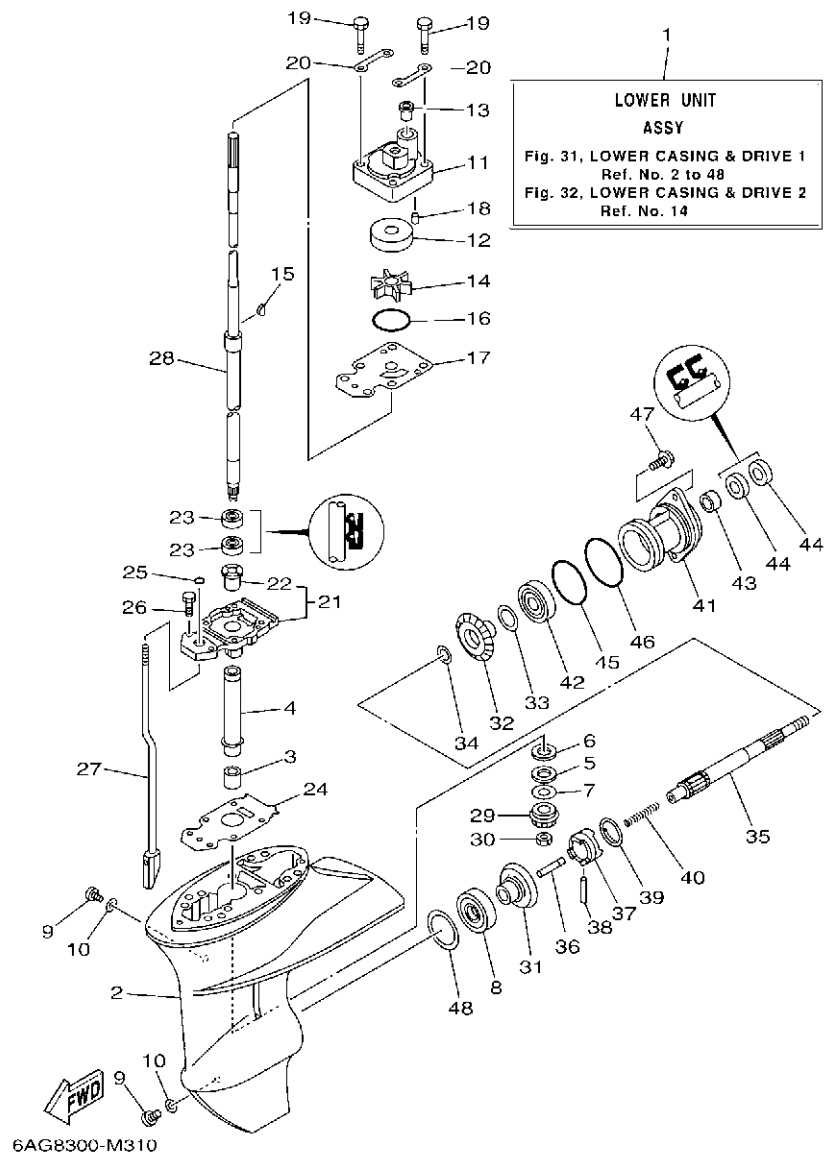


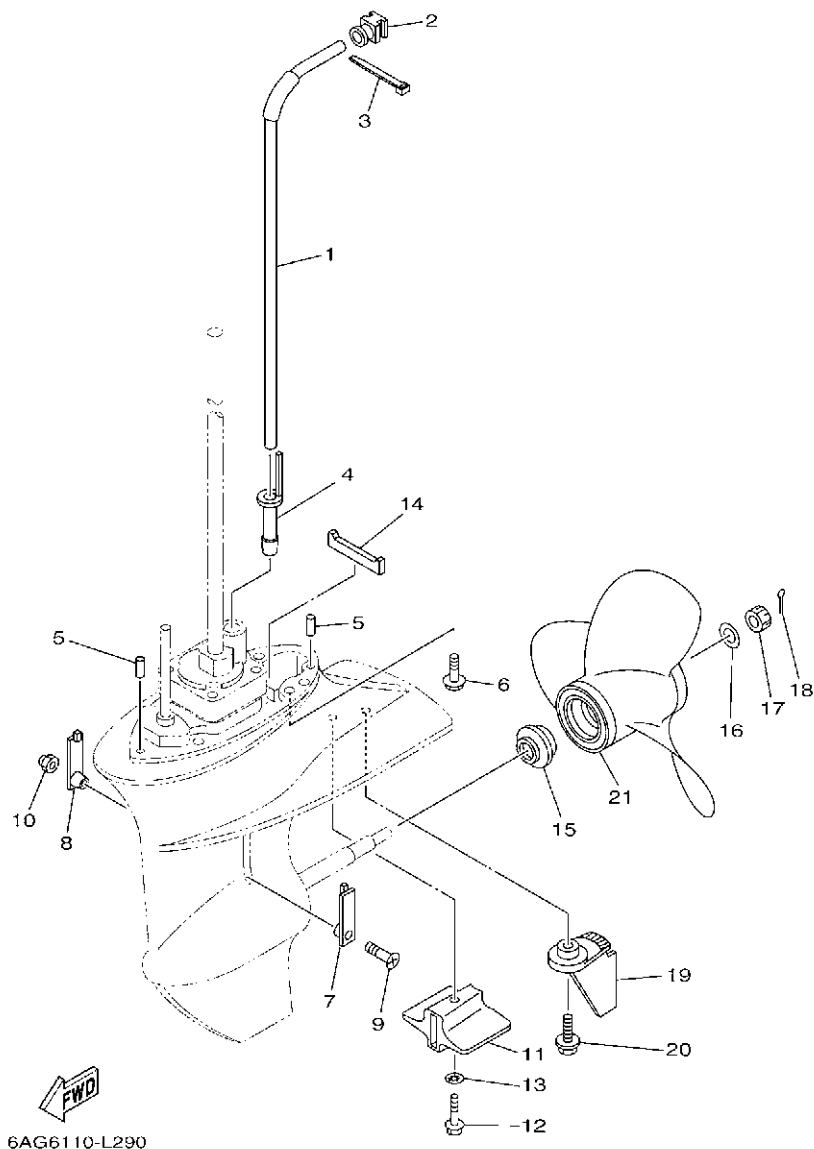
FIG. 31 LOWER CASING & DRIVE 1

BOITIER D'HELICE TRANSMISSION1

REF. NO.	PART NO. N° PIECES	DESCRIPTION DESCRIPTION	M/H	L/H	L	R	REMARKS REMARQUES
47	97E75-06520	BOLT, HEXAGON W/W DEEP RECESS VIS HEXAGONAL AVC RONDELLE	2	2	2	2	
48	664-45567-01	SHIM (T:0.10MM) CALE (T:0.10MM)	1	1	1	1	UR UR
	664-45567-10	SHIM (T:0.12MM) CALE (T:0.12MM)	1	1	1	1	UR UR
	664-45567-20	SHIM (T:0.15MM) CALE (T:0.15MM)	1	1	1	1	UR UR
	664-45567-30	SHIM (T:0.18MM) CALE (T:0.18MM)	1	1	1	1	UR UR
	664-45567-40	SHIM (T:0.30MM) CALE (T:0.30MM)	1	1	1	1	UR UR
	664-45567-50	SHIM (T:0.40MM) CALE (T:0.40MM)	1	1	1	1	UR UR
	664-45567-60	SHIM (T:0.50MM) CALE (T:0.50MM)	1	1	1	1	UR UR

FIG. 32 LOWER CASING & DRIVE 2

BOITIER D'HELICE TRANSMISSION2



6AG6110-L290

REF. NO.	PART NO. N° PIECES	DESCRIPTION DESCRIPTION	M/H	U/T	W	U	REMARKS REMARQUES
1	6AH-44361-01	TUBE, WATER 1 TUBE D'EAU 1	1	1	1	1	S(17.1") S(17.1")
	6AH-44361-11	TUBE, WATER 1 TUBE D'EAU 1	1	1	1	1	L(22.1") L(22.1")
2	6AH-44365-00	DAMPER, WATER SEAL 1 JOINT, TUBE D'EAU 1	1	1	1	1	
3	90465-11M10	CLAMP BRIDE	1	1	1	1	
4	6AH-44368-00	RUBBER, WATER SEAL 4 CAOUTCHOUC EAU JUNTA 4	1	1	1	1	
5	93604-12M07	PIN, DOWEL CLAVETTE	2	2	2	2	
6	97E75-08530	BOLT, HEXAGON W/W DEEP RECESS VIS HEXAGONAL AVC RONDELLE	4	4	4	4	
7	6G1-45214-00	COVER, WATER INLET 1 GRILLE, ENTREE D'EAU 1	1	1	1	1	
8	63V-45215-00	COVER, WATER INLET 2 GRILLE, ENTREE D'EAU 2	1	1	1	1	
9	90152-05011	SCREW, COUNTERSUNK VIS, TETE NOYEE	1	1	1	1	
10	90185-05002	NUT, NYLON ECROU,AUTO-BLOQUANT	1	1	1	1	
11	6AH-45251-00	ANODE ANODE	1	1	1	1	
12	95D95-06035	BOLT, FLANGE DEEP RECESS BOULON FIXATION	1	1	1	1	
13	92990-06300	WASHER, INTERNAL TOOTH RONDELLE, DENTURE INTERNE	1	1	1	1	
14	63V-45375-00	DAMPER, SEAL BOURRELET, CAOUTCHOUC	1	1	1	1	
15	6E7-45987-01	SPACER 1 ENTRETOISE 1	1	1	1	1	
16	90201-10M01	WASHER, PLATE RONDELLE, PLATE	1	1	1	1	
17	90171-10M01	NUT, CASTLE ECROU, CRENELE	1	1	1	1	
18	91490-30020	PIN. COTTER GOUPILLE	1	1	1	1	
19	6AH-45371-A0-8D	TAB-TRIM ANODE DERIVE	1	1	1	1	
20	90119-06M88	BOLT, WITH WASHER BOULON, AVEC RONDELLE	1	1	1	1	
21	683-45952-00	PROPELLER (3X9-1/4"X9-3/4"-J) HELICE (3X9-1/4"X9-3/4"-J)	1	1	1	1	UR UR
	63V-45945-10	PROPELLER (3X9-1/4"X9"-J1) HELICE (3X9-1/4"X9"-J1)	1	1	1	1	UR UR
	683-45943-00	PROPELLER (3X9-1/4"X10-1/2"-J) HELICE (3X9-1/4"X10-1/2"-J)	1	1	1	1	UR UR
	63V-45952-10	PROPELLER (3X9-1/4"X10"-J1) HELICE (3X9-1/4"X10"-J1)	1	1	1	1	UR UR
	63V-45943-10	PROPELLER (3X9-1/4"X11"-J1) HELICE (3X9-1/4"X11"-J1)	1	1	1	1	UR UR
	683-45941-00	PROPELLER (3X9-1/4"X12"-J) HELICE (3X9-1/4"X12"-J)	1	1	1	1	UR UR

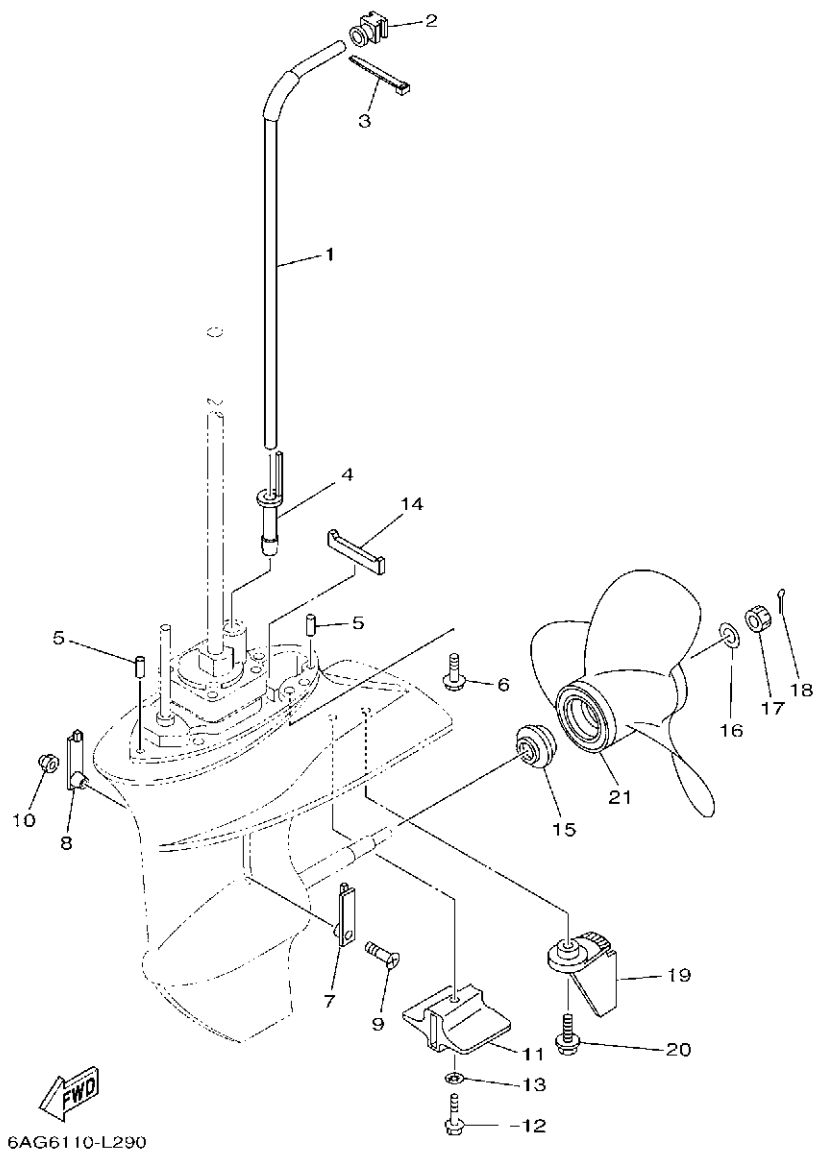


FIG. 32 LOWER CASING & DRIVE 2

BOITIER D'HELICE TRANSMISSION2

REF. NO.	PART NO. N° PIECES	DESCRIPTION DESCRIPTION	MH	EH	E	EP	REMARKS REMARQUES
21	63V-45941-10	PROPELLER (3X9-1/4"X12"-J1) HELICE (3X9-1/4"X12"-J1)	1	1	1	1	UR UR

FIG. 33 FUEL TANK 12 L

RESEVOIR A ESSENCE 12 L

REF. NO.	PART NO. NO. PIECES	DESCRIPTION DESCRIPTION					REMARKS REMARQUES
1	8085070	COMPLETE FUEL TANK 12 L RESEVOIR A ESSENCE (ENS.) 12 L				1	
2	3540275	GASKET JOINT				1	
3	1598845	FUEL TANK PLUG (POS. NO 2+3) BOUCHON (ENS.) (POS. 2+3)				1	
4	8055075	COMPLETE FUEL SUCTION DURITE DE SUCCION				1	
5	7080500	CLAMP COLLIER				1	
6	8050270	FUEL HOSE DURITE A ESSENCE				1	
7	7080490	CLAMP COLLIER				1	
8	6G1-24305-01	FUEL CONNECTOR - FEMALE DURITE RACCORDMENT A ESSENCE				1	
	1575260	FUEL TANK WITH PIPE RESEVOIR A ESSENCE + DURITE				1	
	1581280	COMPLETE PIPE (POS.NO. 5+6+7) DURITE A ESSENCE (ENS) (POS. 5+6+7)				1	

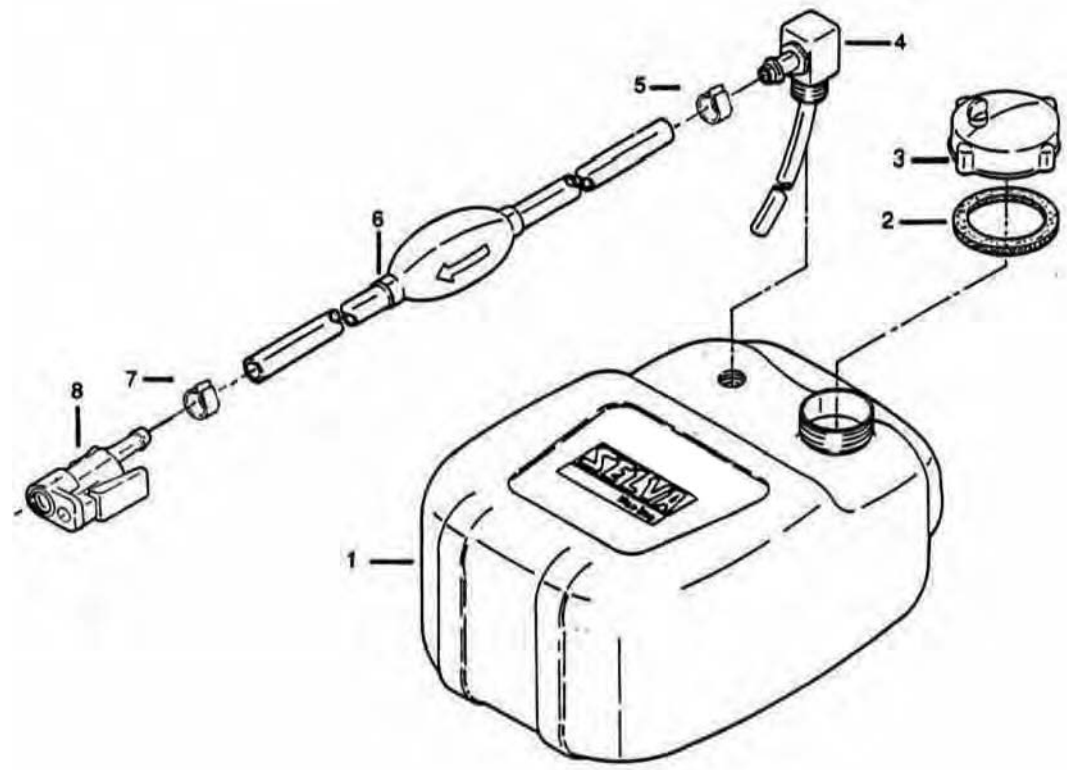


FIG. 34 FUEL TANK 23 L

RESEVOIR A ESSENCE 23 L

REF. NO.	PART NO. NO. PIECES	DESCRIPTION DESCRIPTION					REMARKS REMARQUES
1	8085080	COMPLETE FUEL TANK 23 L RESEVOIR A ESSENCE (ENS.) 23 L				1	
2	3540275	GASKET JOINT				1	
3	1598845	FUEL TANK PLUG (POS. NO 2+3) BOUCHON (ENS.) (POS. 2+3)				1	
4	8055085	COMPLETE FUEL SUCTION DURITE DE SUCCION				1	
5	7080500	CLAMP COLLIER				1	
6	8050270	FUEL HOSE DURITE A ESSENCE				1	
7	7080490	CLAMP COLLIER				1	
8	6G1-24305-01	FUEL CONNECTOR - FEMALE DURITE RACCORDMENT A ESSENCE				1	
	1575270	FUEL TANK WITH PIPE RESEVOIR A ESSENCE + DURITE				1	
	1581280	COMPLETE PIPE (POS.NO. 5+6+7) DURITE A ESSENCE (ENS) (POS. 5+6+7)				1	

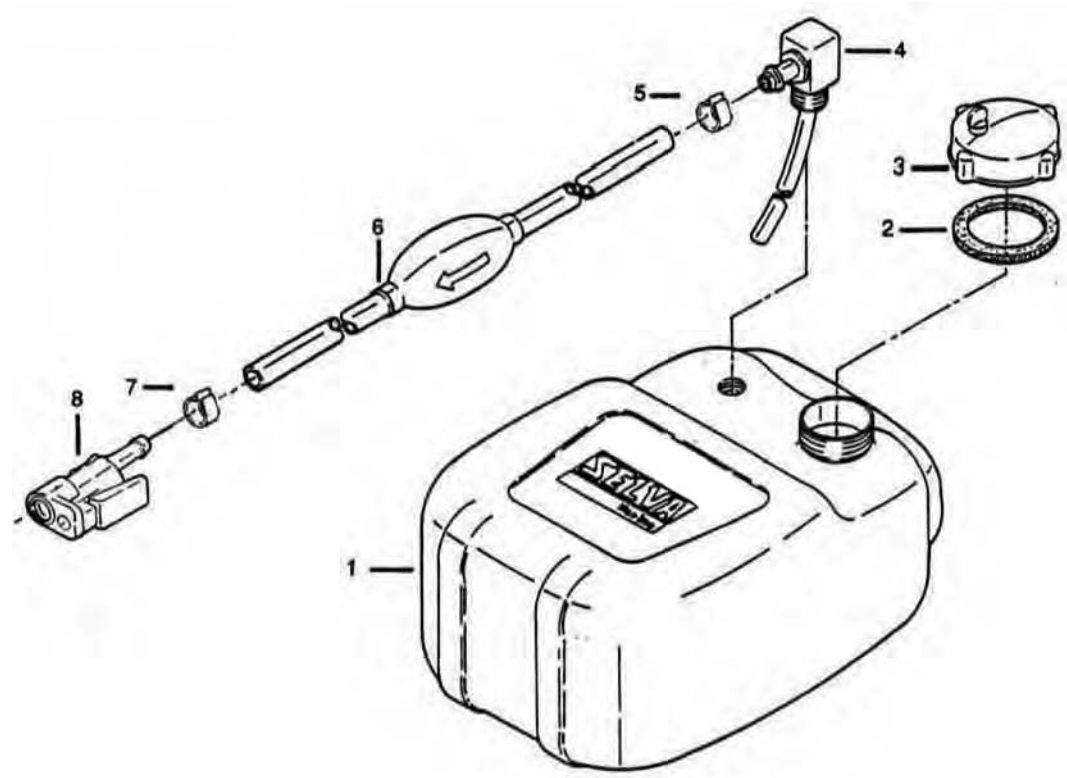
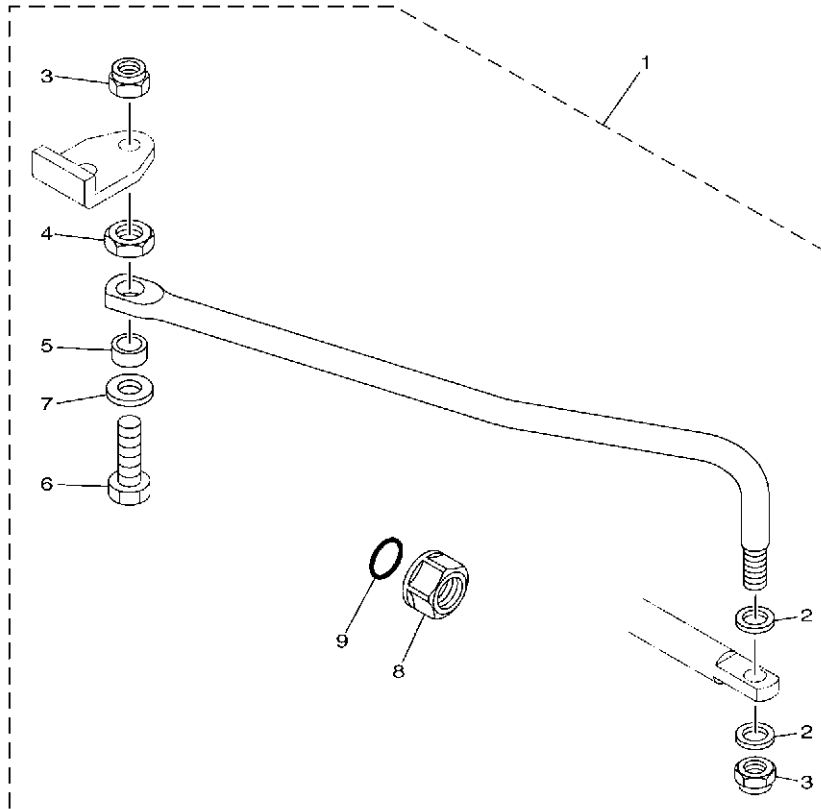


FIG. 35 STEERING GUIDE

FIXATION DE DIRECTION

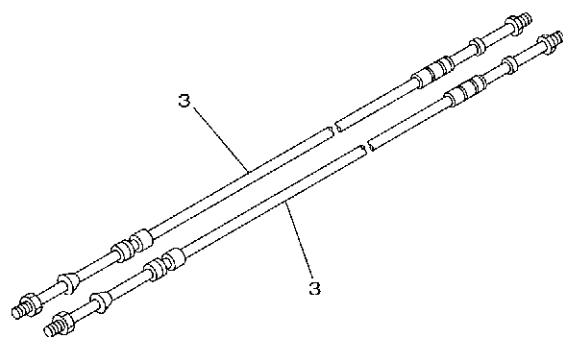
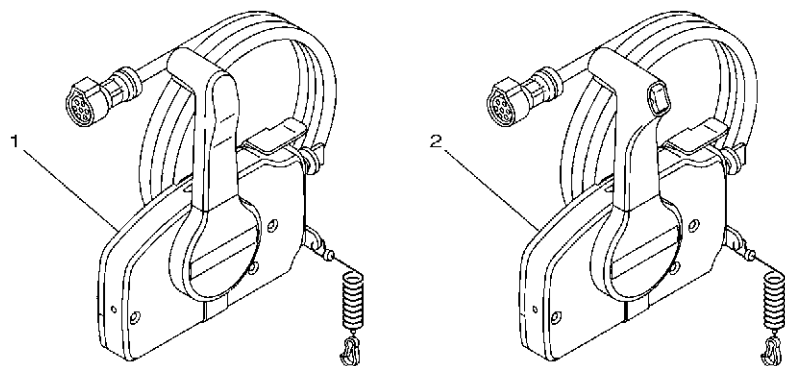
REF. NO.	PART NO. N° PIECES	DESCRIPTION DESCRIPTION	M/H	L/H	L	R	REMARKS REMARQUES
1	6AH-61350-00	STEERING GUIDE ATTACHMENT KIT FIXATIONS DE DIRECTION	1	1	1	1	AP AP
2	90201-10M20	.WASHER, PLATE .RONDELLE, PLATE	2	2	2	2	
3	90185-09M01	.NUT, SELF-LOCKING .ECROU,AUTO-BLOQUANT	2	2	2	2	
4	90170-09M03	.NUT .ECROU	1	1	1	1	
5	90387-10M42	.COLLAR .COLLERETTE	1	1	1	1	
6	6E5-61355-00	.BOLT .BOULON	1	1	1	1	
7	90201-10M63	.WASHER, PLATE .RONDELLE, PLATE	1	1	1	1	
8	6E5-43145-01	.CAP, CLAMP BRACKET .CAPUCHON, PRESSE	1	1	1	1	
9	93210-16275	.O-RING .JOINT TORIQUE	1	1	1	1	



 6AH1100-F341

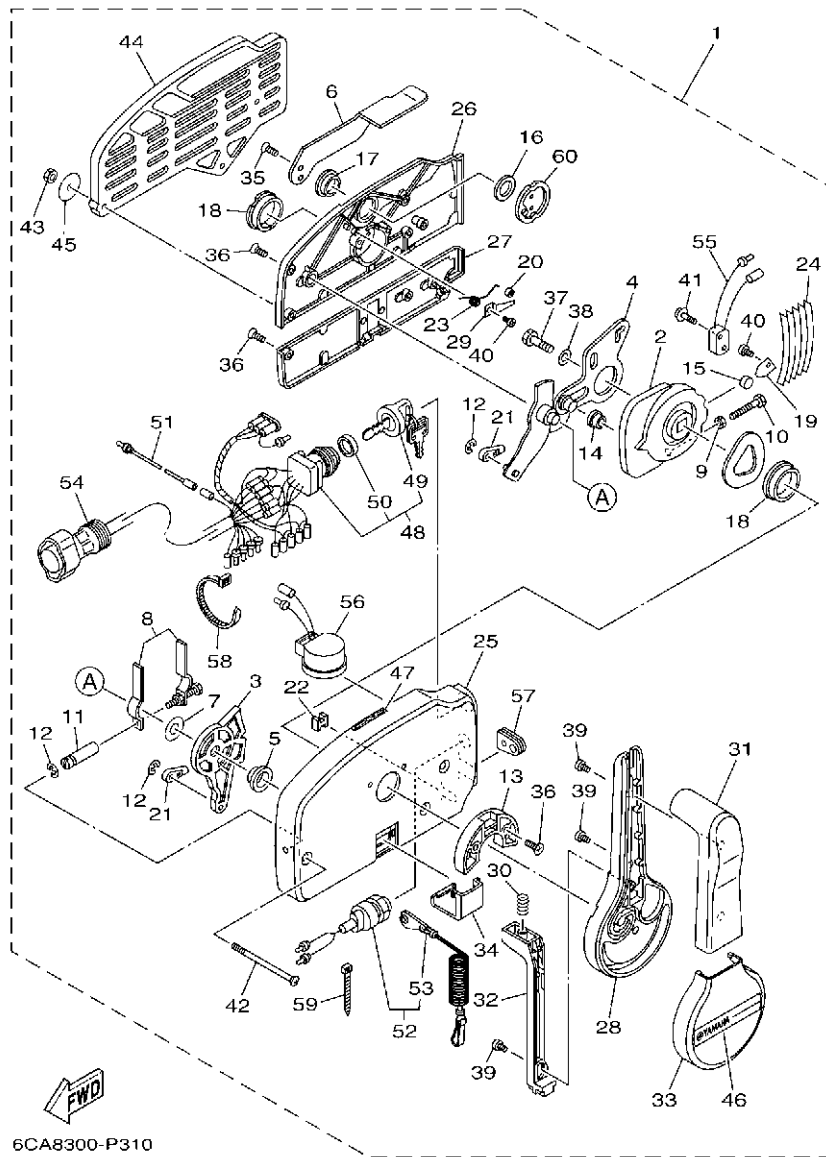
FIG. 36 REMOTE CONTROL BOX

BOITIER DE COMMANDE A DISTANCE




6FX1300-P340

REF. NO.	PART NO. N° PIECES	DESCRIPTION DESCRIPTION	M/H	E/H	U	U	REMARKS REMARQUES
1	703-48201-B1	REMOTE CONTROL ASSY (10P) BOITIER DE COMMANDE A DISTANCE			1		AP WITHOUT PT/T SW.
2	703-48205-B2	REMOTE CONTROL ASSY (10P, PTT) BOITIER DE COMMANDE A DISTANCE				1	AP WITH PT/T SW.
3	701-48310-90	CABLE, REMOTE CONTROL L=11F CABLE, COMMANDE A DISTANCE:11F			2	2	UR
	701-48320-00	CABLE, REMOTE CONTROL L=12F CABLE, COMMANDE A DISTANCE:12F			2	2	UR
	701-48320-20	CABLE, REMOTE CONTROL L=13F CABLE, COMMANDE A DISTANCE:13F			2	2	UR
	701-48320-50	CABLE, REMOTE CONTROL L=15F CABLE, COMMANDE A DISTANCE:15F			2	2	UR



6CA8300-P310

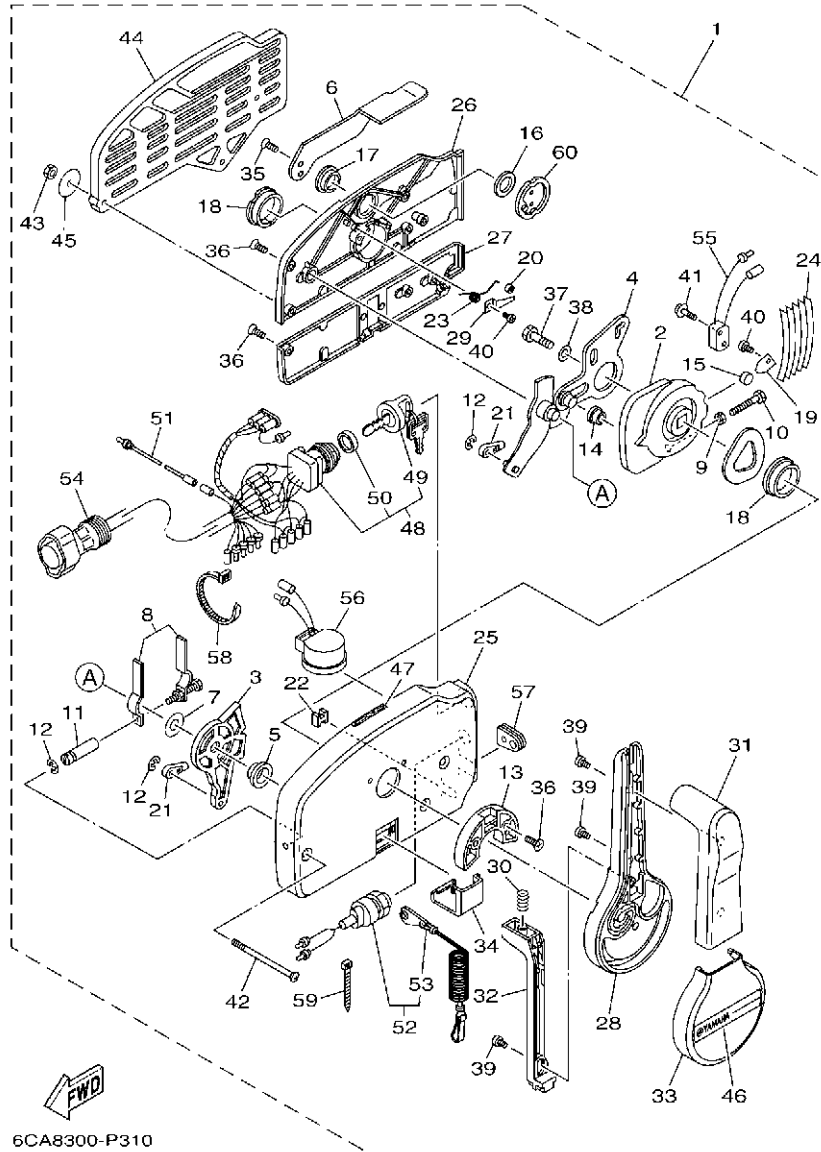
FIG. 37 REMOTE CONTROL ASSY 1

BOITIER DE COMMANDE A DISTANCE

REF. NO.	PART NO. N° PIECES	DESCRIPTION DESCRIPTION	M/H	E/H	U	E/P	REMARKS REMARQUES
1	703-48201-B1	REMOTE CONTROL ASSY (10P) BOITIER DE COMMANDE A DISTANCE			1		AP WITHOUT PT/T SW. AP WITHOUT PT/T SW.
2	703-48232-00	.GEAR .PIGNON			1		
3	703-48271-00	.ARM, SHIFT .BRAS			1		
4	703-48261-01	.ARM, THROTTLE .BRAS, ACCELERATION			1		
5	703-48235-00	.BUSHING .COUSSINET			1		
6	703-48152-10	.KNOB, FREE ACCEL. .BOUTON			1		
7	703-48268-00	.SPACER .ENTRETOISE			1		
8	703-48264-00	.FRICTION, THROTTLE .FRICTION, ACCELERATION			1		
9	95380-05600	.NUT .ECROU			1		
10	97380-05025	.BOLT .BOULON, HEXAGONAL			1		
11	703-48265-10	.SHAFT, FRICTION .AXE, COPILOTE			1		
12	93430-06024	.CIRCLIP .CLIPS			3		
13	703-48245-00	.PLATE, LOCK .PLAQUE, VERROU			1		
14	703-48252-00	.ROLLER, CAM .POULIE			1		
15	701-48248-00	.ROLLER, FREE ACCEL. .POULIE			1		
16	703-48198-00	.WASHER, WAVE .RONDELLE, ELASTIQUE ONDULEE			1		
17	703-48243-00	.BUSHING .COUSSINET			1		
18	703-48236-00	.BUSHING 1 .POULIE			2		
19	703-48189-00	.RETAINER .FLASQUE			1		
20	703-48234-00	.ROLLER, DETENT .POULIE			1		
21	703-48345-01	.CABLE END, REMOTE CONTROL 2 .CHAPE CABLE			2		
22	703-48358-00	.ANCHOR, CABLE .COLLIER			1		
23	703-48244-00	.SPRING, FREE ACCEL. .RESSORT			1		
24	703-48238-00	.SPRING, DETENT .RESSORT			5		
25	703-48211-10	.HOUSING, 1 .CORPS			1		
26	703-48212-10	.BACK PLATE 1 .PLAQUETTE 1			1		
27	703-48213-10	.BACK PLATE 2 .PLAQUETTE 2			1		

FIG. 37 REMOTE CONTROL ASSY 1

BOITIER DE COMMANDE A DISTANCE

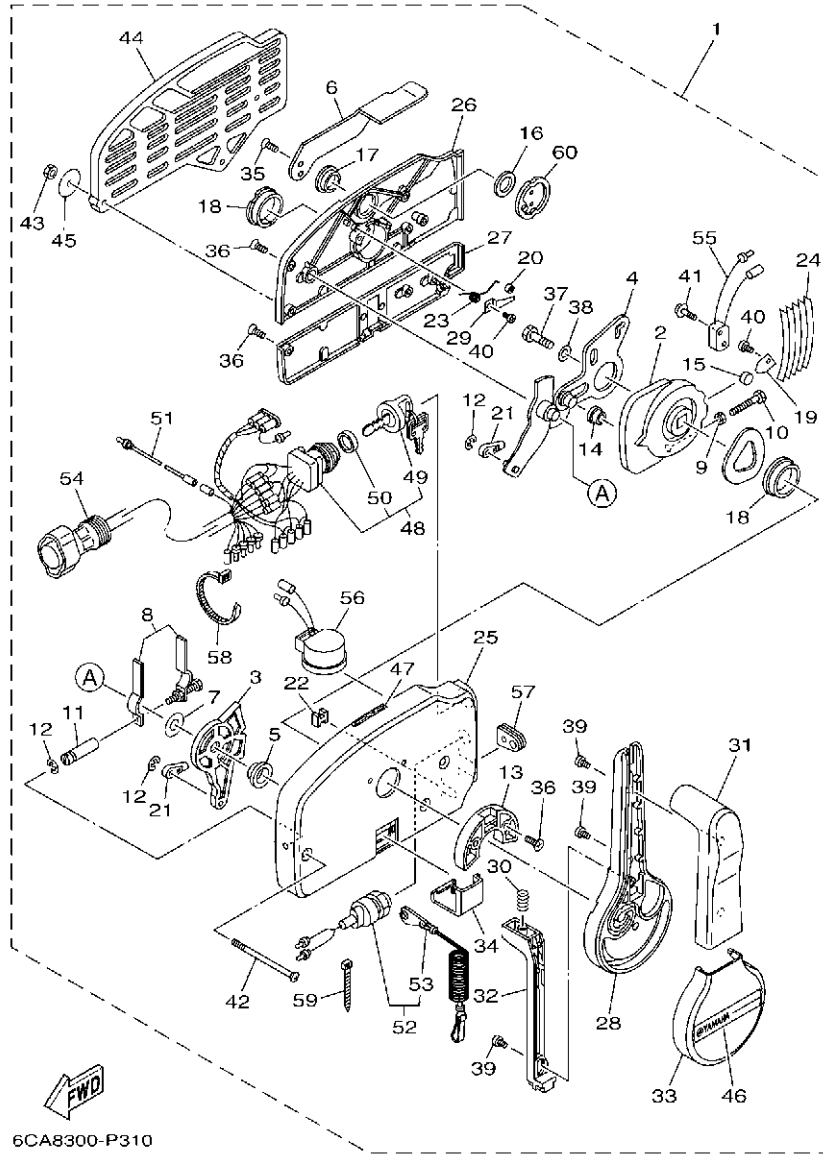


6CA8300-P310

REF. NO.	PART NO. N° PIECES	DESCRIPTION DESCRIPTION	M/H	E/H	U	EP	REMARKS REMARQUES
28	703-48221-10	.LEVER, CONTROL .LEVIER, COMMANDE			1		
29	703-48246-00	.SPACER .ENTRETOISE			1		
30	703-48227-00	.SPRING, NEUTRAL LOCK .RESSORT			1		
31	703-48222-30	.GRIP, CONTROL LEVER .POIGNEE, COMMANDE LEVIER			1		SINGLE SINGLE
32	703-48223-10	.LOCK, NEUTRAL .VERROU, NEUTRAL			1		
33	703-48225-10	.COVER .COUVERCLE			1		
34	703-48219-10	.COVER, LEAD .COUVERCLE			1		
35	703-48281-00	.SCREW .VIS			2		
36	703-44189-20	.SCREW .VIS			7		
37	97380-08030	.BOLT .BOULON, HEXAGONAL			1		
38	92990-08600	.WASHER, PLATE .RONDELLE, PLATE			1		
39	703-48128-10	.SCREW 2 .VIS 2			3		
40	98580-04006	.SCREW, PAN HEAD .VIS			2		
41	703-48129-00	.SCREW 3 .VIS 3			2		
42	703-44189-30	.SCREW .VIS			3		
43	95380-06600	.NUT, HEXAGON .ECROU			3		
44	703-48293-10	.SPACER, REMOTE CONTROL .ENTRETOISE			1		SINGLE SINGLE
45	701-48287-00	.WASHER .RONDELLE			3		
46	703-48215-10	.GRAPHIC .ADHESIF			1		
47	6X3-44191-00	.INDICATOR, SHIFT .ETIQUETTE, EMBRAYAGE			1		
48	703-82510-13	.MAIN SWITCH ASSY .CONTACTEUR A CLEF COMPLET			1		PRIME START PRIME START
49	676-82577-01	.CAP, KEY .CABOCHON			1		
50	703-82532-00	.CAP .COUVERCLE			1		
51	703-82531-00	.WIRE, LEAD (L70) .FIL (L70)			1		
52	688-82575-02	.ENGINE STOP SWITCH ASSY .COUPE CIRCUIT CPLT			1		
53	682-82556-00	.LANYARD, STOP SWITCH .CORDON DU COUPE CIRCUIT			1		
54	688-8258A-20	.EXTENSION, WIRE HARNESS (4.9M) .EXTENSION, FAISCEAU DE FILS (4			1		(10P) (10P)

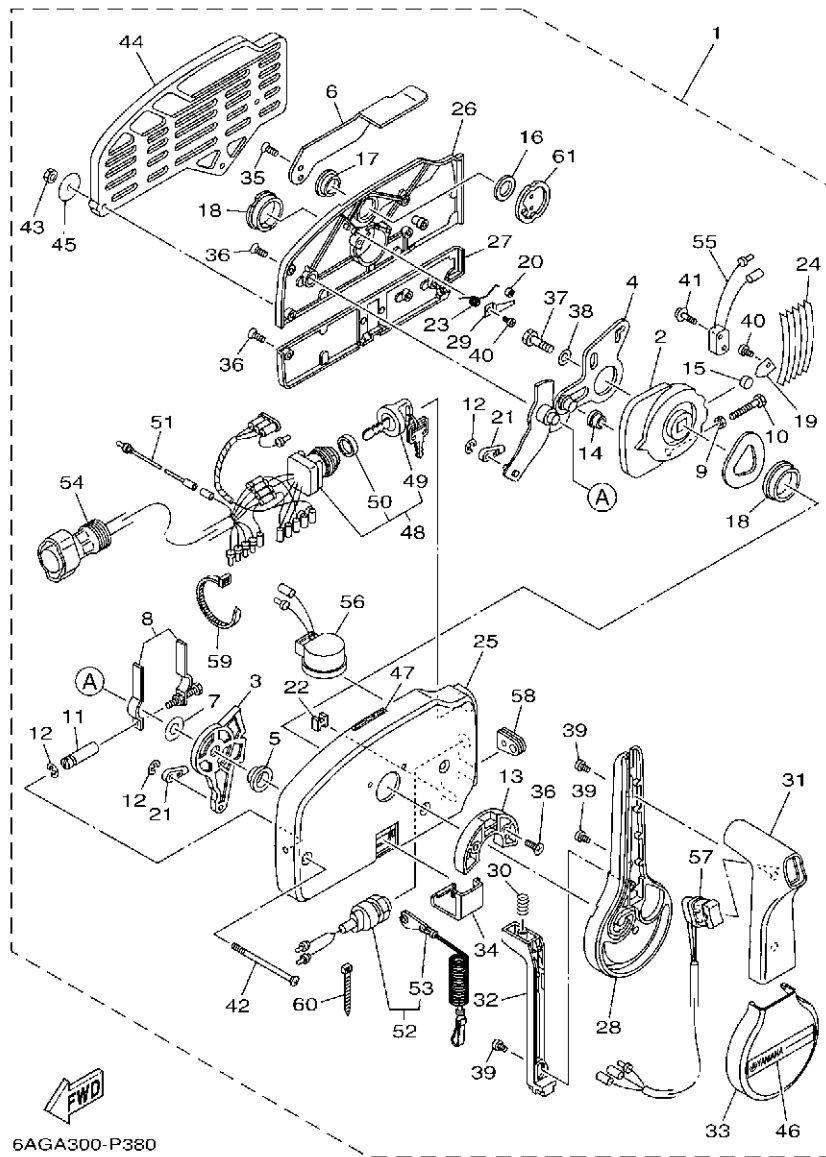
FIG. 37 REMOTE CONTROL ASSY 1

BOITIER DE COMMANDE A DISTANCE



6CA8300-P310

REF. NO.	PART NO. N° PIECES	DESCRIPTION DESCRIPTION	M/H	E/H	E	EP	REMARKS REMARQUES
55	703-82540-00	.NEUTRAL SWITCH ASSY .CONTACTEUR DE POINT-MORT			1		
56	703-83383-11	.BUZZER .RONFLEUR			1		
57	703-48284-00	.GROMMET .PASSE-FIL			1		
58	703-82591-00	.BAND .COLLIER			1		
59	703-82592-00	.BAND .COLLIER			1		
60	703-48153-00	.SHAFT, FREE ACCEL. .AXE			1		



6AGA300-P380

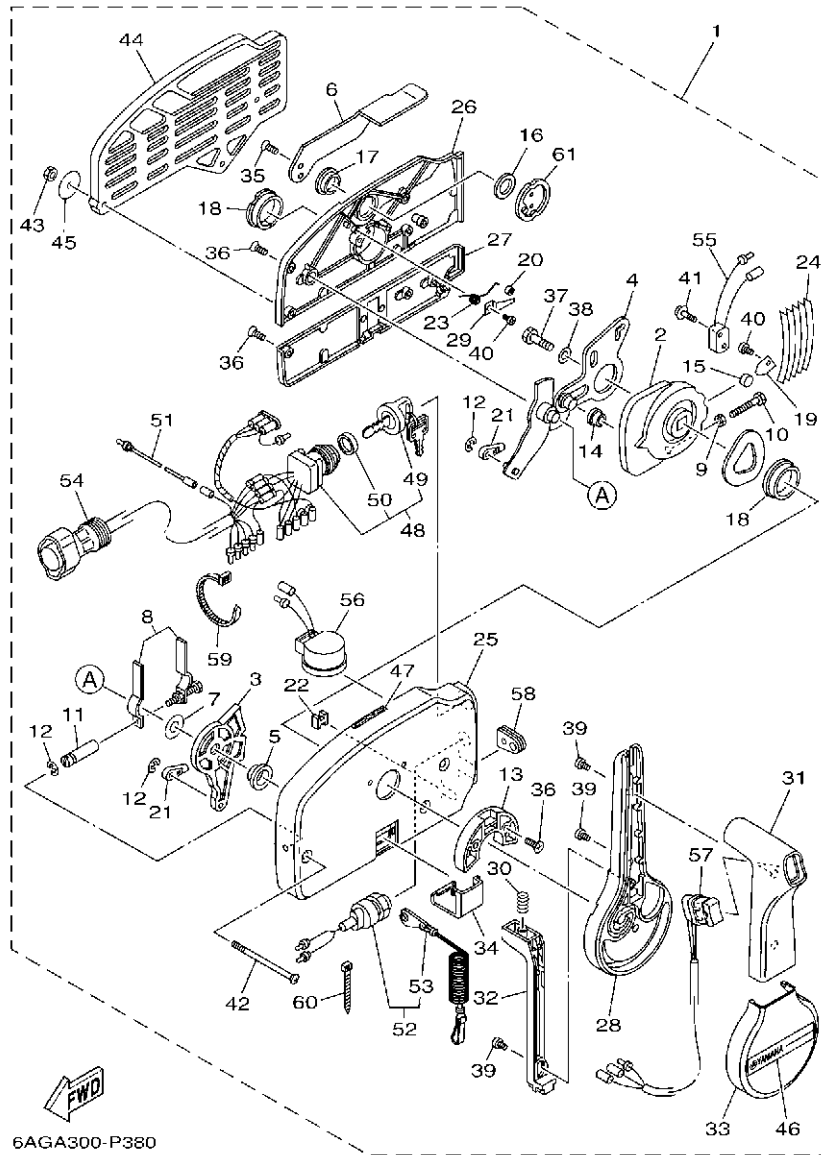
FIG. 38 REMOTE CONTROL ASSY 2

BOITIER DE COMMANDE A DISTANCE

REF. NO.	PART NO. N° PIECES	DESCRIPTION DESCRIPTION	M/H	E/H	E	Q	REMARKS REMARQUES
1	703-48205-B2	REMOTE CONTROL ASSY (10P, PTT) BOITIER DE COMMANDE A DISTANCE				1	AP WITH PT/T SW. AP WITH PT/T SW.
2	703-48232-00	.GEAR .PIGNON				1	
3	703-48271-00	.ARM, SHIFT .BRAS				1	
4	703-48261-01	.ARM, THROTTLE .BRAS, ACCELERATION				1	
5	703-48235-00	.BUSHING .COUSSINET				1	
6	703-48152-10	.KNOB, FREE ACCEL. .BOUTON				1	
7	703-48268-00	.SPACER .ENTRETOISE				1	
8	703-48264-00	.FRICTION, THROTTLE .FRICTION, ACCELERATION				1	
9	95380-05600	.NUT .ECROU				1	
10	97380-05025	.BOLT .BOULON, HEXAGONAL				1	
11	703-48265-10	.SHAFT, FRICTION .AXE, COPILOTE				1	
12	93430-06024	.CIRCLIP .CLIPS				3	
13	703-48245-00	.PLATE, LOCK .PLAQUE, VERROU				1	
14	703-48252-00	.ROLLER, CAM .POULIE				1	
15	701-48248-00	.ROLLER, FREE ACCEL. .POULIE				1	
16	703-48198-00	.WASHER, WAVE .RONDELLE, ELASTIQUE ONDULEE				1	
17	703-48243-00	.BUSHING .COUSSINET				1	
18	703-48236-00	.BUSHING 1 .POULIE				2	
19	703-48189-00	.RETAINER .FLASQUE				1	
20	703-48234-00	.ROLLER, DETENT .POULIE				1	
21	703-48345-01	.CABLE END, REMOTE CONTROL 2 .CHAPE CABLE				2	
22	703-48358-00	.ANCHOR, CABLE .COLLIER				1	
23	703-48244-00	.SPRING, FREE ACCEL. .RESSORT				1	
24	703-48238-00	.SPRING, DETENT .RESSORT				5	
25	703-48211-10	.HOUSING, 1 .CORPS				1	
26	703-48212-10	.BACK PLATE 1 .PLAQUETTE 1				1	
27	703-48213-10	.BACK PLATE 2 .PLAQUETTE 2				1	

FIG. 38 REMOTE CONTROL ASSY 2

BOITIER DE COMMANDE A DISTANCE



6AGA300-P380

REF. NO.	PART NO. N° PIECES	DESCRIPTION DESCRIPTION	M/H	E/H	E	Q	REMARKS REMARQUES
28	703-48221-10	.LEVER, CONTROL .LEVIER, COMMANDE				1	
29	703-48246-00	.SPACER .ENTRETOISE				1	
30	703-48227-00	.SPRING, NEUTRAL LOCK .RESSORT				1	
31	703-48222-20	.GRIP, CONTROL LEVER .POIGNEE, COMMANDE LEVIER				1	SINGLE SINGLE
32	703-48223-10	.LOCK, NEUTRAL .VERROU, NEUTRAL				1	
33	703-48225-10	.COVER .COUVERCLE				1	
34	703-48219-10	.COVER, LEAD .COUVERCLE				1	
35	703-48281-00	.SCREW .VIS				2	
36	703-44189-20	.SCREW .VIS				7	
37	97380-08030	.BOLT .BOULON, HEXAGONAL				1	
38	92990-08600	.WASHER, PLATE .RONDELLE, PLATE				1	
39	703-48128-10	.SCREW 2 .VIS 2				3	
40	98580-04006	.SCREW, PAN HEAD .VIS				2	
41	703-48129-00	.SCREW 3 .VIS 3				2	
42	703-44189-30	.SCREW .VIS				3	
43	95380-06600	.NUT, HEXAGON .ECROU				3	
44	703-48293-10	.SPACER, REMOTE CONTROL .ENTRETOISE				1	SINGLE SINGLE
45	701-48287-00	.WASHER .RONDELLE				3	
46	703-48215-10	.GRAPHIC .ADHESIF				1	
47	6X3-44191-00	.INDICATOR, SHIFT .ETIQUETTE, EMBRAYAGE				1	
48	703-82510-13	.MAIN SWITCH ASSY .CONTACTEUR A CLEF COMPLET				1	PRIME START PRIME START
49	676-82577-01	.CAP, KEY .CABOCHON				1	
50	703-82532-00	.CAP .COUVERCLE				1	
51	703-82531-00	.WIRE, LEAD (L70) .FIL (L70)				1	
52	688-82575-02	.ENGINE STOP SWITCH ASSY .COUPE CIRCUIT CPLT				1	
53	682-82556-00	.LANYARD, STOP SWITCH .CORDON DU COUPE CIRCUIT				1	
54	688-8258A-20	.EXTENSION, WIRE HARNESS (4.9M) .EXTENSION, FAISCEAU DE FILS (4				1	(10P) (10P)

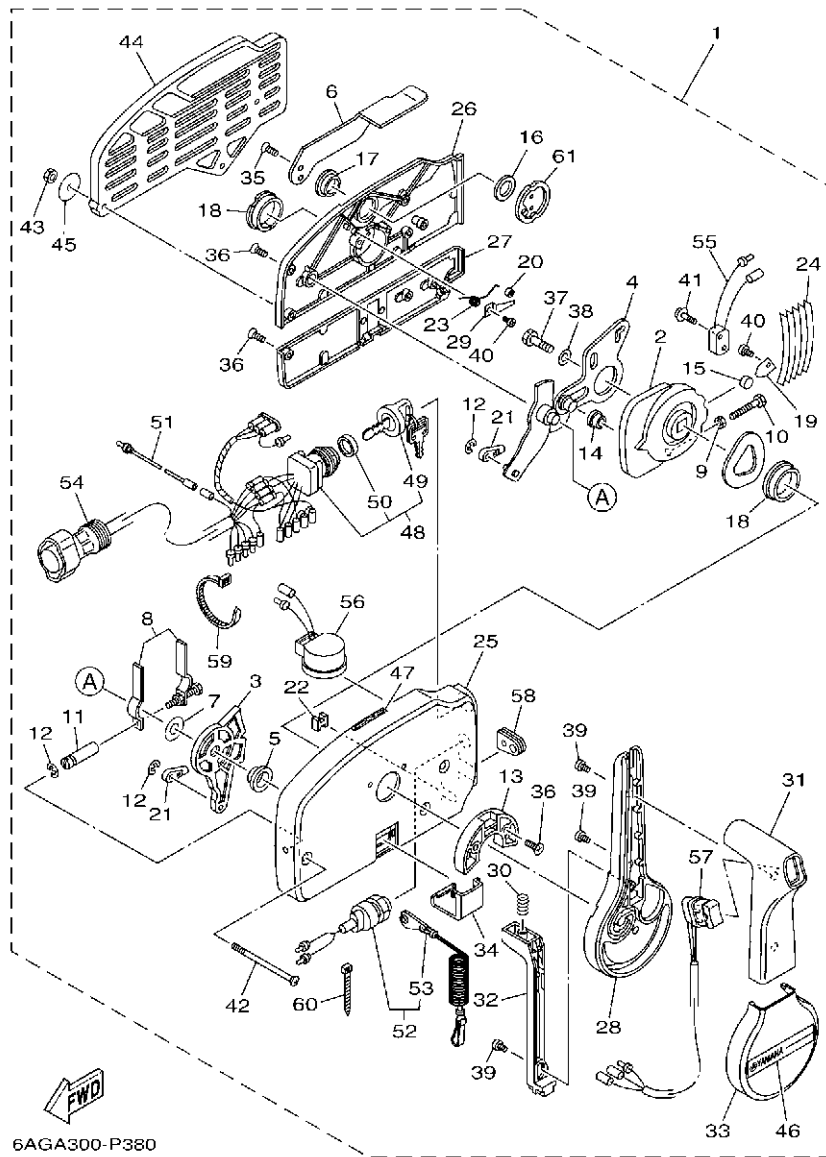


FIG. 38 REMOTE CONTROL ASSY 2

BOITIER DE COMMANDE A DISTANCE

REF. NO.	PART NO. N° PIECES	DESCRIPTION DESCRIPTION	M/H	E/H	E	Q.P.	REMARKS REMARQUES
55	703-82540-00	.NEUTRAL SWITCH ASSY .CONTACTEUR DE POINT-MORT				1	
56	703-83383-11	.BUZZER .RONFLEUR				1	
57	703-82563-31	.TRIM & TILT SWITCH ASSY .INCLINER ET PARER COMMUTATEUR				1	
58	703-48284-00	.GROMMET .PASSE-FIL				1	
59	703-82591-00	.BAND .COLLIER				1	
60	703-82592-00	.BAND .COLLIER				1	
61	703-48153-00	.SHAFT, FREE ACCEL. .AXE				1	

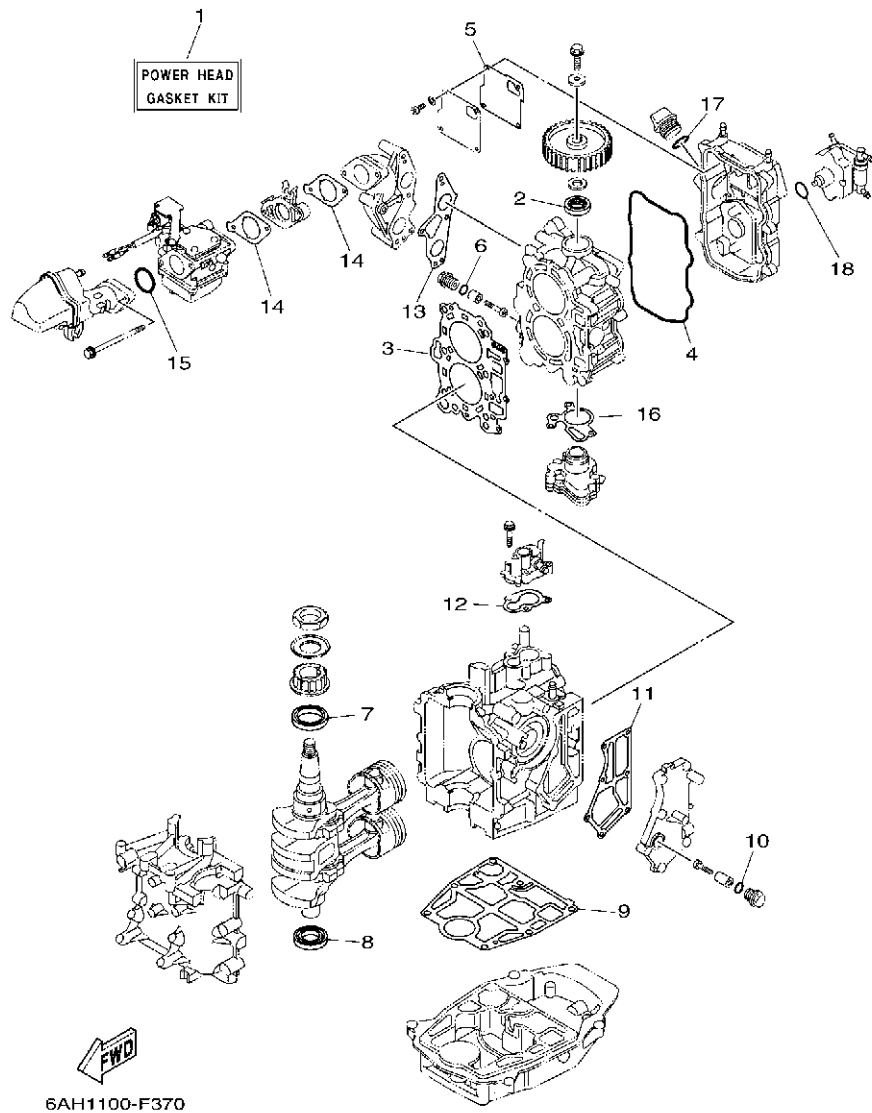


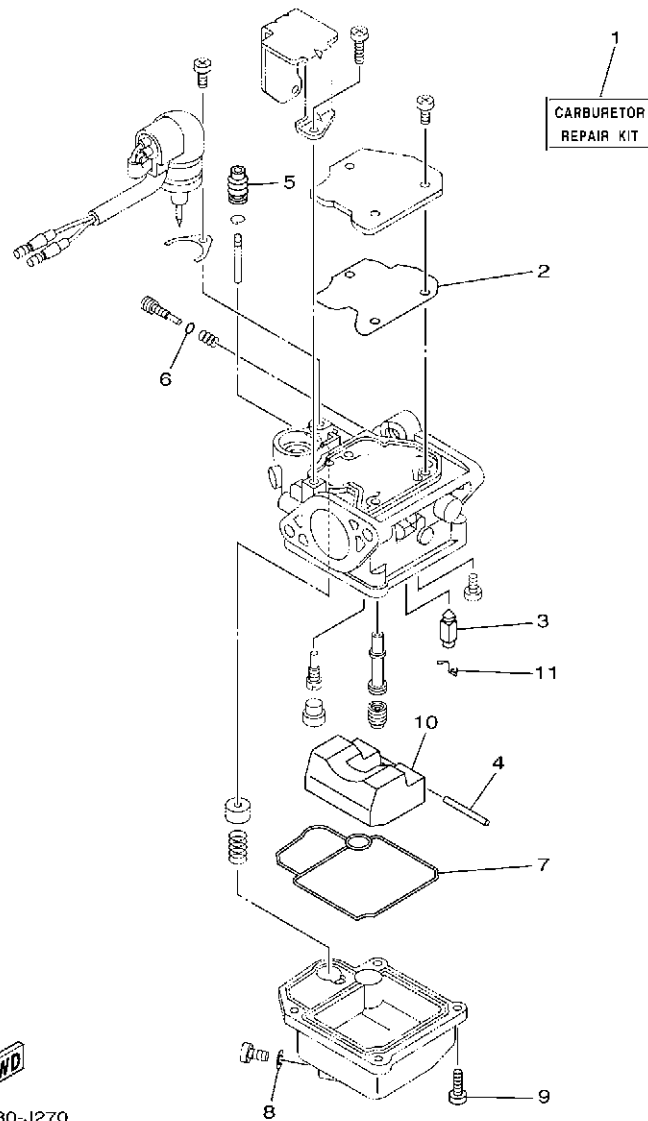
FIG. 39 REPAIR KIT 1

KITS DE REPARATION 1

REF. NO.	PART NO. N° PIECES	DESCRIPTION DESCRIPTION	MH	EH	L	EP	REMARKS REMARQUES
1	6AG-W0001-00	POWER HEAD GASKET KIT POCHETTE DE JINTS TETE MOTRICE	1	1	1	1	
2	93102-22010	.OIL SEAL .JOINT SPY	1	1	1	1	
3	6AG-11181-10	.GASKET, CYLINDER HEAD 1 .JOINT, DE CULASSE 1	1	1	1	1	
4	6AH-11356-00	.SEAL, CYLINDER 2 .JOINT, SPY CYLINDRE	1	1	1	1	
5	6AH-11169-00	.GASKET, BREATHER COVER .JOINT, COUVERCLE DE RENIFLARD	1	1	1	1	
6	93210-13M63	.O-RING .JOINT TORIQUE	2	2	2	2	
7	93102-37004	.OIL SEAL .JOINT SPY	1	1	1	1	
8	93102-25014	.OIL SEAL .JOINT SPY	1	1	1	1	
9	6AH-11351-10	.GASKET, CYLINDER .JOINT, D'EMBASE	1	1	1	1	
10	93210-13M63	.O-RING .JOINT TORIQUE	1	1	1	1	
11	6AH-41114-00	.GASKET, EXHAUST OUTER COVER .JOINT, COUVERCLE D'ECHAPPEMENT	1	1	1	1	
12	6AH-12414-00	.GASKET, COVER .JOINT, COUVERCLE	1	1	1	1	
13	6AH-13645-00	.GASKET, MANIFOLD 1 .JOINT, TUBULURE 1	1	1	1	1	
14	6AH-13646-00	.GASKET, MANIFOLD 2 .JOINT, TUBULURE 2	2	2	2	2	
15	93210-35M86	.O-RING .JOINT TORIQUE	1	1	1	1	
16	6AH-13329-10	.GASKET, PUMP COVER .JOINT, COUVERCLE DE POMPE	1	1	1	1	
17	93210-24M79	.O-RING .JOINT TORIQUE	1	1	1	1	
18	93210-20M65	.O-RING .JOINT TORIQUE	1	1	1	1	

FIG. 40 REPAIR KIT 2

KITS DE REPARATION 2

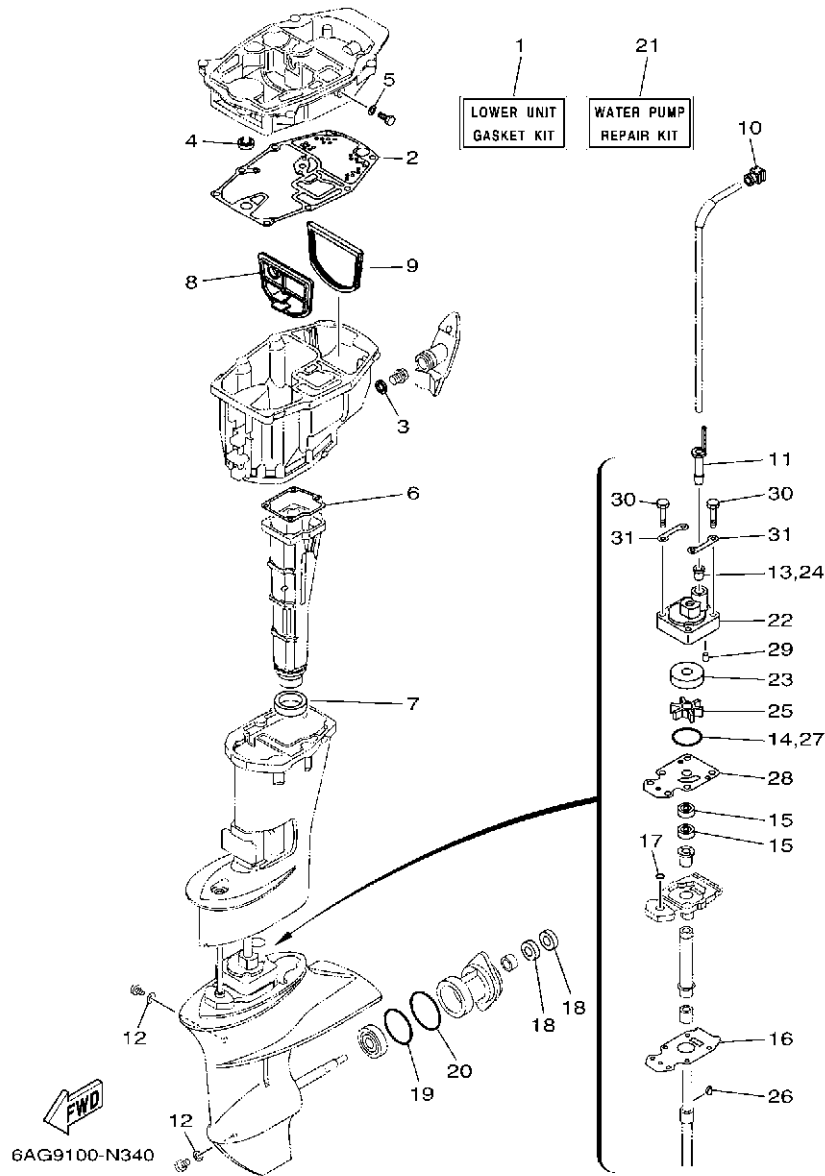


6BY2280-J270

REF. NO.	PART NO. N° PIECES	DESCRIPTION DESCRIPTION	MH	EH	E	EP	REMARKS REMARQUES
1	6AH-W0093-01	CARBURETOR REPAIR KIT KIT DE REPARATION CARBURATEUR	1	1	1	1	
2	65W-14126-10	.GASKET .JOINT	1	1	1	1	
3	6AH-14546-00	.VALVE, NEEDLE .POINTEAU	1	1	1	1	
4	6H4-14548-00	.PIN, FLOAT ARM .AXE, BRAS DE FLOTTEUR	1	1	1	1	
5	65W-14373-02	.COVER, PLUNGER CAP .COUVERCLE DE PLONGEUR	1	1	1	1	
6	67F-14398-10	.O-RING .JOINT TORIQUE	1	1	1	1	
7	6AH-14384-00	.GASKET, FLOAT CHAMBER .JOINT, CUVE DE FLOTTEUR	1	1	1	1	
8	65W-14398-00	.GASKET .JOINT	1	1	1	1	
9	97980-04114	.SCREW, WITH WASHER .VIS, AVEC RONDELLE	4	4	4	4	
10	6AH-14985-00	.FLOAT .FLOTTEUR	1	1	1	1	
11	633-14159-00	.CLIP .JONC	1	1	1	1	

FIG. 41 REPAIR KIT 3

KITS DE REPARATION 3



REF. NO.	PART NO. N° PIECES	DESCRIPTION DESCRIPTION	M/H	E/H	W	E	REMARKS REMARQUES
1	6AH-W0001-20	LOWER UNIT GASKET KIT POCHETTE DE JOINTS EMBASE	1	1	1	1	
2	6AH-15312-10	.GASKET, OIL PAN .JOINT DE VENTILATEUR D'HUILE	1	1	1	1	
3	90430-14M09	.GASKET .JOINT	1	1	1	1	
4	93101-12M63	.OIL SEAL .JOINT SPY	1	1	1	1	
5	90430-08143	.GASKET .JOINT	1	1	1	1	
6	6AH-41134-00	.GASKET, EXHAUST MANIFOLD .JOINT, PIPE D'ECHAPPEMENT	1	1	1	1	
7	6AH-41138-00	.SEAL, EXT. 1 .JOINT DE GROUPE 1	1	1	1	1	
8	6AH-45126-00	.PLATE, SEAL DAMPER .PLAQUETTE	1	1	1	1	
9	6AH-45115-00	.GASKET, UPPER CASING .JOINT, TUBE D'ARBRE	1	1	1	1	
10	6AH-44365-00	.DAMPER, WATER SEAL 1 .JOINT, TUBE D'EAU 1	1	1	1	1	
11	6AH-44368-00	.RUBBER, WATER SEAL 4 .CAOUTCHOUC EAU JUNTA 4	1	1	1	1	
12	90430-08003	.GASKET .JOINT	2	2	2	2	
13	6L2-44367-00	.DAMPER, WATER SEAL 3 .JOINT TUBE D'EAU 3	1	1	1	1	
14	93210-49046	.O-RING .JOINT TORIQUE	1	1	1	1	
15	93101-20001	.OIL SEAL .JOINT SPY	2	2	2	2	
16	69G-45315-A0	.PACKING, LOWER CASING .JOINT, BOITIER D'HELICE	1	1	1	1	
17	93210-06ME6	.O-RING .JOINT TORIQUE	1	1	1	1	
18	93101-17054	.OIL SEAL .JOINT SPY	2	2	2	2	
19	93210-57M09	.O-RING .JOINT TORIQUE	1	1	1	1	
20	93210-56M80	.O-RING .JOINT TORIQUE	1	1	1	1	
21	6AH-W0078-01	WATER PUMP REPAIR KIT KIT DE REPARATION DE LA POMPE	1	1	1	1	
22	6AH-44311-00	.HOUSING, WATER PUMP .CORPS, POMPE A EAU	1	1	1	1	
23	63V-44322-00	.INSERT, CARTRIDGE .CUVETTE	1	1	1	1	
24	6L2-44367-00	.DAMPER, WATER SEAL 3 .JOINT TUBE D'EAU 3	1	1	1	1	
25	63V-44352-01	.IMPELLER .TURBINE	1	1	1	1	
26	664-44338-00	.KEY, WOODRUFF .CLAVETTE, VOLANT	1	1	1	1	
27	93210-49046	.O-RING .JOINT TORIQUE	1	1	1	1	

FIG. 41 REPAIR KIT 3

KITS DE PEPAIATION 3

REF. NO.	PART NO. N° PIECES	DESCRIPTION DESCRIPTION	M/H	E/H	W	D	REMARKS REMARQUES
28	68T-44323-00	.OUTER PLATE, CARTRIDGE .PLAQUE EXTERIEURE	1	1	1	1	
29	93604-12M07	.PIN, DOWEL .CLAVETTE	2	2	2	2	
30	97D95-08045	.BOLT, HEXAGON DEEP RECESS .VIS HEXAGONAL	4	4	4	4	
31	63V-44328-01	.PLATE .PLAQUETTE	2	2	2	2	
<hr style="border-top: 1px dashed black;"/>							
<hr style="border-top: 1px dashed black;"/>							
<hr style="border-top: 1px dashed black;"/>							
<hr style="border-top: 1px dashed black;"/>							
<hr style="border-top: 1px dashed black;"/>							
<hr style="border-top: 1px dashed black;"/>							
<hr style="border-top: 1px dashed black;"/>							
<hr style="border-top: 1px dashed black;"/>							
<hr style="border-top: 1px dashed black;"/>							
<hr style="border-top: 1px dashed black;"/>							

