

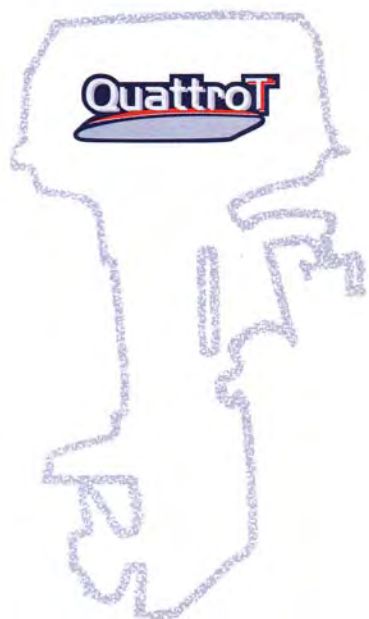
Aruana 40

Production year 2011

Production année 2011

PARTS CATALOGUE

CATALOGUE DE PIÈCES DÉTACHÉES



ENGINE STARTING SERIAL NUMBER: 1054685



FOREWORD

This Parts Catalogue is related to the parts for the model(s) on the cover page. When you are ordering replacement parts, please refer to this Parts Catalogue and quote both part numbers and part names correctly.

1. Modifications or additions which have been made after the issue of the Parts Catalogue will be announced in the Parts News.
It is advisable that you make the necessary corrections to the Parts Catalogue according to the Parts News.

2. Abbreviations

The following abbreviations are used in this Parts Catalogue.

“UR” Use specified parts number.

“UN” Use as many as needed.

“AP” Alternate Parts

“LM” Locally Made (Parts need to be ordered locally)

“F#” Frame No. (Applicable machine No.)

“O/S” Over Size

3. The number of components for assembly

- Parts, which are to be supplied in an assembly, are listed with a dot (.) in front of the part name as shown below.
- The numeral appearing to the right of each component part indicates the quantity of parts for each assembly unit.

PART NO.	DESCRIPTION	Q'TY	REMARKS
2F5-83310-60	FRONT FLASHER LIGHT ASSY	2	
115-83311-60	.BULB (6V-18W)	1	

4. Applicable colours of graphics are represented in the “REMARKS” as shown below.

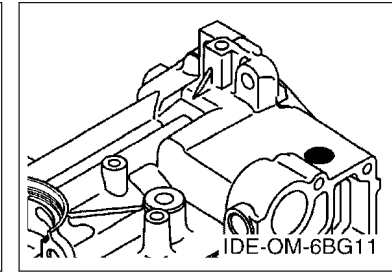
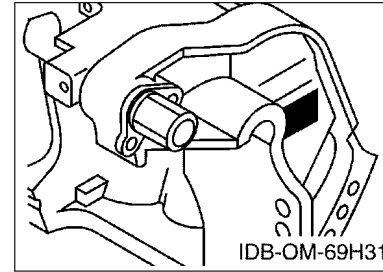
PART NO.	DESCRIPTION	Q'TY	REMARKS
2N4-24110-00-X5	FUEL TANK COMP.	2	MXR
3J1-24240-10	.GRAPHIC, FUEL TANK	1	FOR MXR

5. Note that the illustrations for reference in finding parts numbers are not to be used for assembling. When assembling, please use the applicable service manual.

6. The asterisk (*) before a reference number indicates modified items after the first edition.

7. Applicable Serial No.

Engine Serial No.



8. Applicable Engine Starting Serial No.

Model	Serial No.	Model	Serial No.
Aruana 40	6BG-1054685		

9. Applicable Colour Code

Abbreviation	Colour Name	Colour Code
DBN1	DARK BLUISH GRAY 1	008D

10. Quantity Column Information

Column No.	Name Of Q'ty Column	Applicable Model
1	ET	F30BET,F40FET
2	ED	F40FED
3	EHD	F30BEHD,F40FEHD

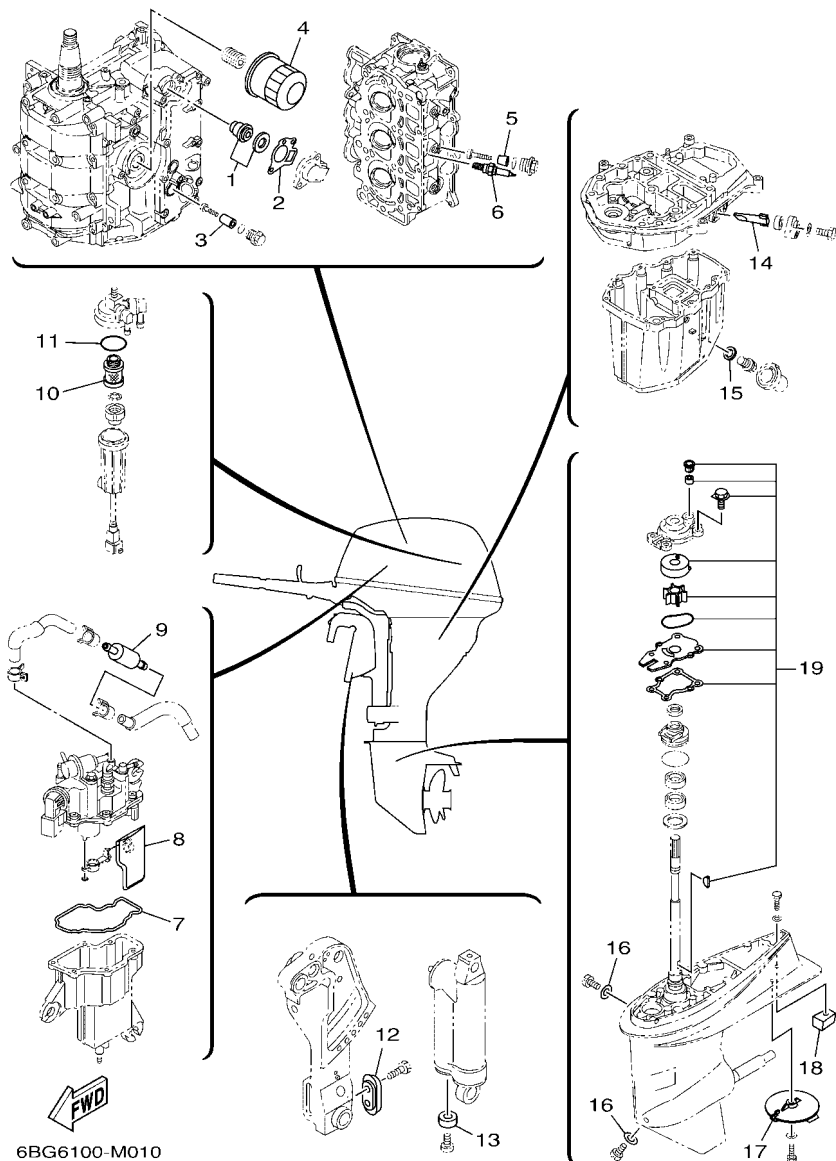


FIG. 1 SCHEDULED SERVICE PARTS

PIECES MAINTENANCE PERIODIQUE

REF. NO.	PART NO. N° PIECES	DESCRIPTION DESCRIPTION	ET	ED	EHD	REMARKS REMARQUES
1	6G8-12411-03	THERMOSTAT THERMOSTAT	1	1	1	
2	62Y-12414-00	GASKET, COVER JOINT, COUVERCLE	1	1	1	
3	6G8-11325-00	ANODE ANODE	1	1	1	
4	5GH-13440-50	ELEMENT ASSY, OIL CLEANER ELEMENT, FILTRE A HUILE	1	1	1	
5	6G8-11325-00	ANODE ANODE	3	3	3	
6	94702-00418	PLUG, SPARK (NGK DPR6EB-9) BOUGIE D, ALLUMAGE (NGK DPR6EB-9)	3	3	3	
7	6BG-14984-00	GASKET, FLOAT CHAMBER JOINT, CUVE DE FLOTTEUR	1	1	1	
8	6BG-13915-01	FILTER FILTRE	1	1	1	
9	6C5-24251-00	STRAINER 1 FILTRE 1	1	1	1	
10	6D8-24563-00	ELEMENT, FILTER ELEMENT, FILTRE	1	1	1	
11	6D8-24564-00	GASKET JOINT	1	1	1	
12	65W-45251-00	ANODE ANODE	1	1	1	
13	663-45251-00	ANODE ANODE		1	1	
14	62Y-11325-00	ANODE ANODE	1	1	1	
15	90430-14M09	GASKET JOINT	1	1	1	
16	90430-08003	GASKET JOINT	2	2	2	
17	67C-45371-00	TAB-TRIM ANODE DERIVE	1	1	1	
18	67C-45251-00	ANODE ANODE	1	1	1	
19	6BG-W0078-00	WATER PUMP REPAIR KIT KIT DE REPARATION DE LA POMPE	1	1	1	

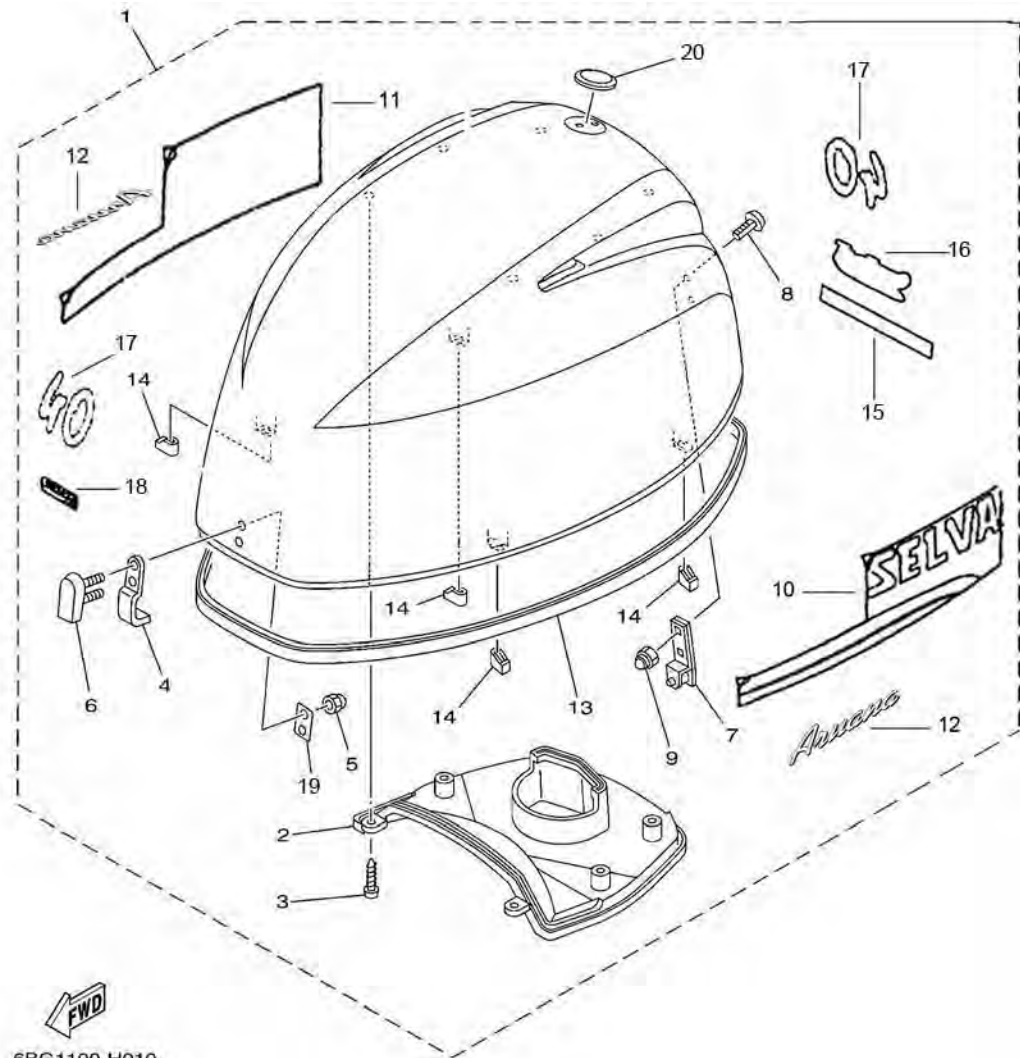


FIG. 1 TOP COWLING

CAPOT SUPERIEUR

REF. NO.	PART NO. N° PIECES	DESCRIPTION DESCRIPTION	ET	ED	EHD	REMARKS REMARQUES
1	1504760	TOP COWLING ASSY CAPOT (ENS.)	1	1	1	
2	6BG-42613-00	.MOLDING, AIR DUCT .MANCHON A AIR	1	1	1	
3	97780-50616	.SCREW, TAPPING .VIS, TETE BOMBEE	6	6	6	
4	6BG-42651-00	.HOOK .CROCHET	1	1	1	
5	95380-05800	.NUT .ECROU	2	2	2	
6	6BG-42851-00	.COVER, CLAMP .COUVERCLE, BRIDE	1	1	1	
7	6BG-42652-00	.HOOK .CROCHET	1	1	1	
8	90109-06047	.BOLT .BOULON	2	2	2	
9	90185-06M05	.NUT, SELF-LOCKING .ECROU, AUTO-BLOQUANT	2	2	2	
10	8093145	.GRAPHIC, LEFT .ADHESIF, GAUCHE	1	1	1	
11	8093150	.GRAPHIC, RIGHT .ADHESIF, DROITE	1	1	1	
12	8093155	.GRAPHIC, ARUANA .ADHESIF, ARUANA	2	1	2	
13	6BG-42615-00	.SEAL .JOINT	1	1	1	
14	6BG-42662-00	.DAMPER .AMORTISSEUR	4	1	4	
15	8093165	.GRAPHIC, ELECTRONIC FUEL INJECTION .ADHESIF, ELECTRONIC FUEL INJECTION	1	1	1	
16	8093050	.GRAPHIC, QUATTRO T .ADHESIF, 4T	1	4	1	
17	8093160	.GRAPHIC, 40 .ADHESIF, 40	2	1	2	
18	8092605	.GRAPHIC, SELVA MARINE .ADHESIF, SELVA MARINE	1	1	1	
19	6BG-42649-00	.HOLDER, CLAMP BAND .SUPPORT, SANDOW DE SERRAGE	1	1	1	
20	1533976	.GRAPHIC, SELVA MARINE EUROPE .ADHESIF, SELVA MARINE EUROPE	1	1	1	
	1534335	.GRAPHIC SET .JEU DIEMBLEMES	1	1	1	

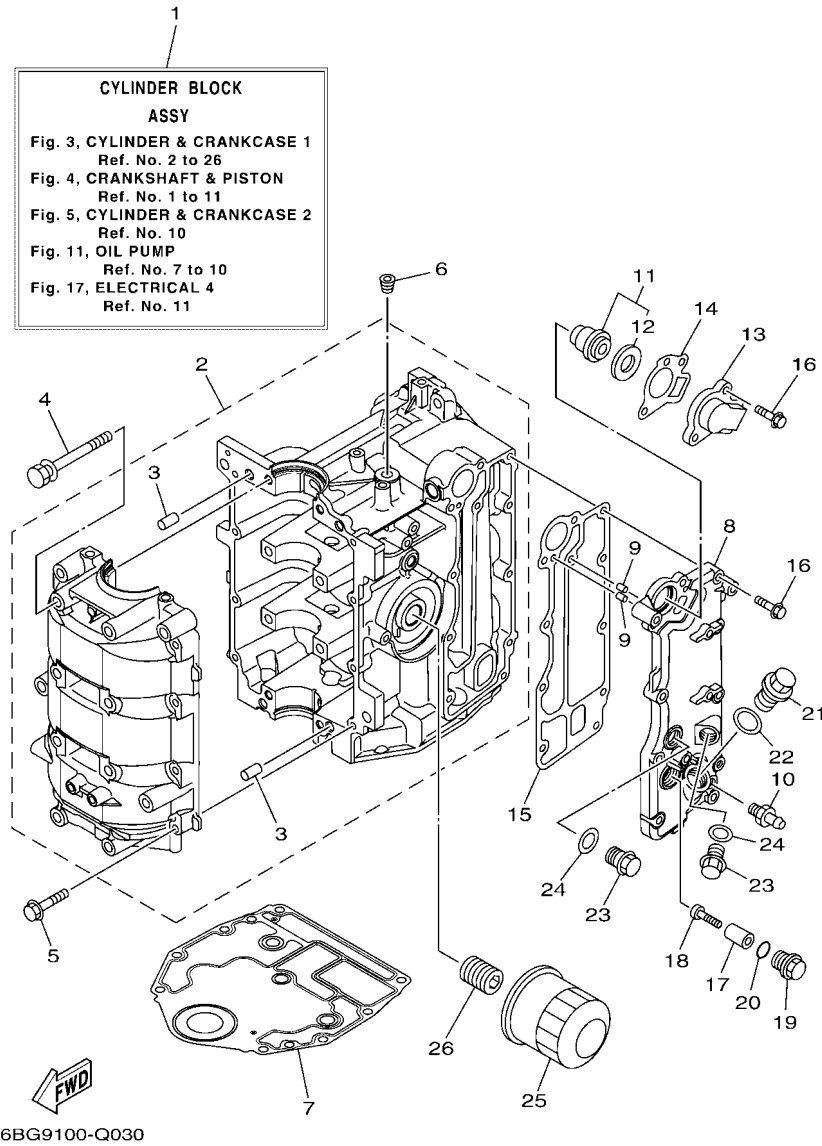
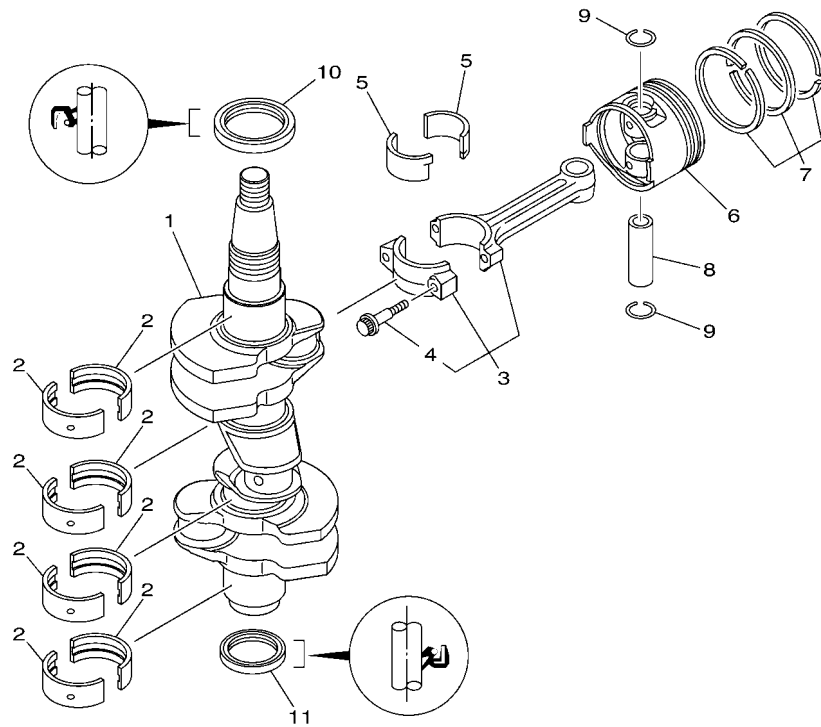


FIG. 3 CYLINDER & CRANKCASE 1

CYLINDRE & CARTER 1

REF. NO.	PART NO. N° PIECES	DESCRIPTION DESCRIPTION	ET	ED	EHD	REMARKS REMARQUES
1	6BG-W009B-00-9S	CYLINDER BLOCK ASSY CYLINDRE GROUPE (ENS.)	1	1	1	
2	6BG-15100-00	CRANKCASE ASSY CARTER DE MOTEUR COMPLET	1	1	1	
3	93606-12019	.PIN, DOWEL .GOUPILLE	4	4	4	
4	90119-08154	BOLT, WITH WASHER BOULON, AVEC RONDELLE	8	8	8	
5	97513-06535	BOLT, WITH WASHER VIS HEXAGONAL AVC RONDELLE	8	8	8	
6	90344-51003	PLUG, TAPER SCREW PLOT, FILETE CONIQUE	1	1	1	
7	6BG-11351-00	GASKET, CYLINDER JOINT, D'EMBASE	1	1	1	
8	6BG-41113-00-9S	OUTER COVER, EXHAUST COUVERCLE, ECHAPPEMENT	1	1	1	
9	93604-10M03	PIN, DOWEL CLAVETTE	2	2	2	
10	62Y-12481-10	PIPE 1 DURITE 1	1	1	1	
11	6G8-12411-03	THERMOSTAT THERMOSTAT	1	1	1	
12	688-12412-00	.SEAL, THERMOSTAT .JOINT, THERMOSTAT	1	1	1	
13	6C5-12413-00-9S	COVER, THERMOSTAT COUVERCLE, THERMOSTAT	1	1	1	
14	62Y-12414-00	GASKET, COVER JOINT, COUVERCLE	1	1	1	
15	6BG-41114-00	GASKET, EXHAUST OUTER COVER JOINT, COUVERCLE D'ECHAPPEMENT	1	1	1	
16	90119-06MA5	BOLT, WITH WASHER BOULON, AVEC RONDELLE	10	10	10	
17	6G8-11325-00	ANODE ANODE	1	1	1	
18	98980-05025	SCREW, BIND VIS, DE PRESSION	1	1	1	
19	6G8-11197-A0	PLUG, BLIND PLOT, BORGNE	1	1	1	
20	93210-13M63	O-RING JOINT TORIQUE	1	1	1	
21	90340-18M09	PLUG, STRAIGHT SCREW PLOT, FILETE DROIT	1	1	1	
22	90201-186F1	WASHER, PLATE RONDELLE, PLATE	1	1	1	
23	90340-14M06	PLUG, STRAIGHT SCREW PLOT, FILETE DROIT	2	2	2	
24	90430-14115	GASKET JOINT	2	2	2	
25	5GH-13440-50	ELEMENT ASSY, OIL CLEANER ELEMENT, FILTRE A HUILE	1	1	1	
26	6C5-12858-00	BOLT, UNION BOULON, RACCORD	1	1	1	




6BG1100-H030

FIG. 4 CRANKSHAFT & PISTON

VILEBREQUIN & PISTON

REF. NO.	PART NO. N° PIECES	DESCRIPTION DESCRIPTION	ET	ED	EHD	REMARKS REMARQUES
1	6BG-11411-00	CRANKSHAFT VILEBREQUIN COMPLET	1	1	1	
2	6BG-11416-00	PLANE BEARING, CRANKSHAFT 1 COUSSINET DE VILEBREQUIN 1	8	8	8	UR YELLOW UR YELLOW
	6BG-11416-10	PLANE BEARING, CRANKSHAFT 1 COUSSINET DE VILEBREQUIN 1	8	8	8	UR RED UR RED
	6BG-11416-20	PLANE BEARING, CRANKSHAFT 1 COUSSINET DE VILEBREQUIN 1	8	8	8	UR PINK UR PINK
	6BG-11416-30	PLANE BEARING, CRANKSHAFT 1 COUSSINET DE VILEBREQUIN 1	8	8	8	UR GREEN UR GREEN
3	6C5-11650-10	CONNECTING ROD ASSY BIELLE COMPLETE	3	3	3	
4	6C5-11654-00	.BOLT, CONNECTING ROD .BOULON, BIELLE	2	2	2	
5	6CJ-11656-00	PLANE BEARING, CONNECTING ROD ROULEMENT DE BIELLE	6	6	6	UR YELLOW UR YELLOW
	6CJ-11656-10	PLANE BEARING, CONNECTING ROD ROULEMENT DE BIELLE	6	6	6	UR RED UR RED
	6CJ-11656-20	PLANE BEARING, CONNECTING ROD ROULEMENT DE BIELLE	6	6	6	UR PINK UR PINK
	6CJ-11656-30	PLANE BEARING, CONNECTING ROD ROULEMENT DE BIELLE	6	6	6	UR GREEN UR GREEN
6	69W-11631-01-97	PISTON (STD) PISTON (STD)	3	3	3	
	69W-11635-01	PISTON (0.25MM O/S) PISTON (0.25MM O/S)	3	3	3	AP AP
	69W-11636-01	PISTON (0.50MM O/S) PISTON (0.50MM O/S)	3	3	3	AP AP
7	67C-11603-00	PISTON RING SET (STD) JEU DE SEGMENTS (STD)	3	3	3	
	67C-11604-00	PISTON RING SET (0.25MM O/S) JEU DE SEGMENTS (0.25MM O/S)	3	3	3	AP AP
	67C-11605-00	PISTON RING SET (0.50MM O/S) JEU DE SEGMENTS (0.50MM O/S)	3	3	3	AP AP
8	62Y-11633-00	PIN, PISTON AXE, PISTON	3	3	3	
9	93450-17129	CIRCLIP CIRCLIP, TYPE S	6	6	6	
10	93102-43M42	OIL SEAL JOINT SPY	1	1	1	
11	93101-35002	OIL SEAL JOINT SPY	1	1	1	

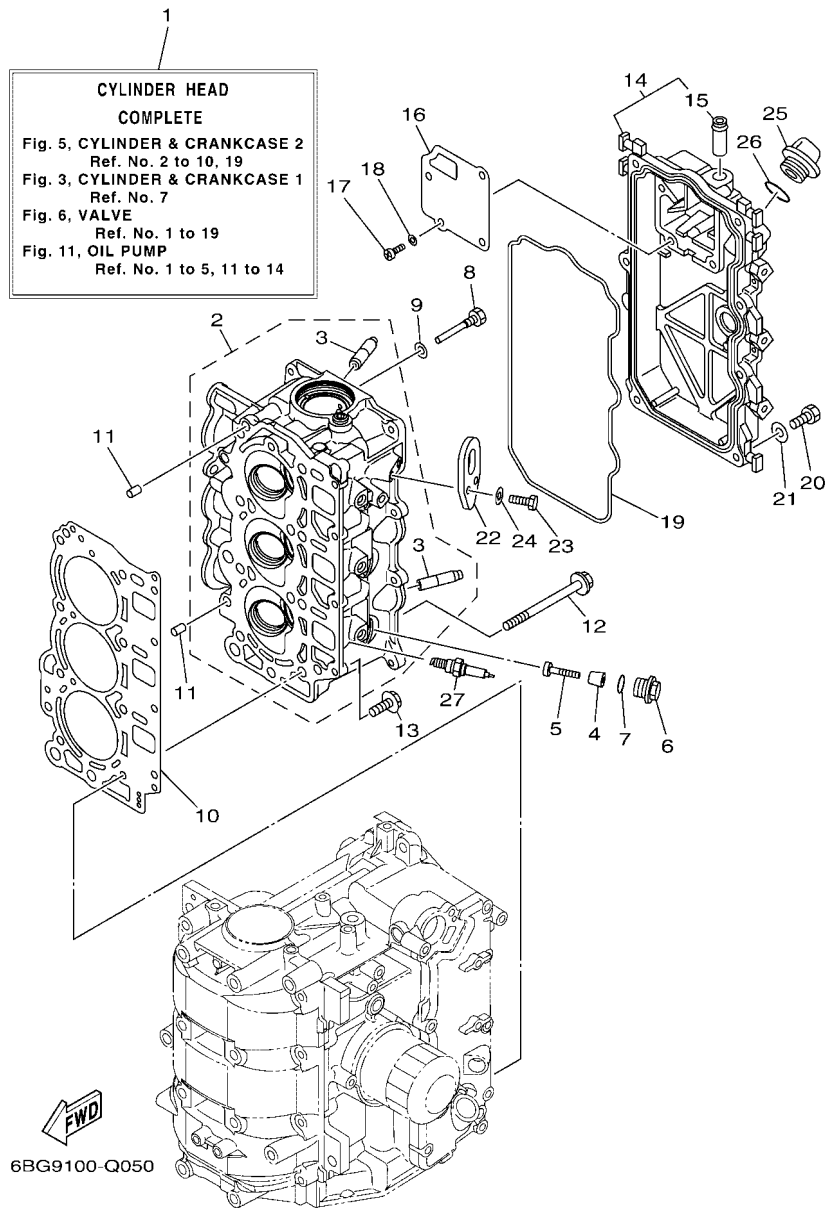
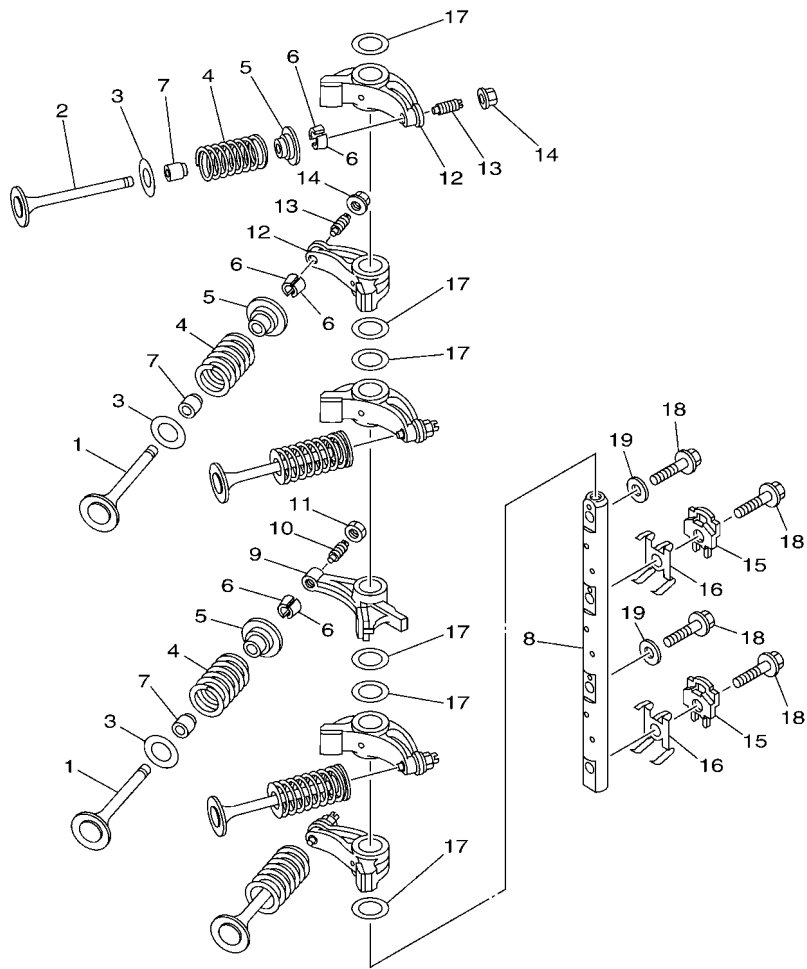


FIG. 5 CYLINDER & CRANKCASE 2

CYLINDRE & CARTER 2

REF. NO.	PART NO. N° PIECES	DESCRIPTION DESCRIPTION	U1	U2	EHD	REMARKS REMARQUES
1	6BG-W009A-02-9S	CYLINDER HEAD COMPLETE CULASSE (ENS.)	1	1	1	
2	6BG-11111-10-9S	HEAD, CYLINDER 1 CULASSE	1	1	1	
3	62Y-11133-30	.GUIDE, VALVE 1 .GUIDE, SOUPEPE 1	6	6	6	
4	6G8-11325-00	ANODE ANODE	3	3	3	
5	98980-05025	SCREW, BIND VIS, DE PRESSION	3	3	3	
6	6G8-11197-A0	PLUG, BLIND PLOT, BORGNE	3	3	3	
7	93210-13M63	O-RING JOINT TORIQUE	3	3	3	
8	90109-06M65	BOLT BOULON	1	1	1	
9	90430-06014	GASKET JOINT	1	1	1	
10	6BG-11181-00	GASKET, CYLINDER HEAD 1 JOINT, DE CULASSE 1	1	1	1	
11	99530-08012	PIN, DOWEL GOUJON, D'ASSEMBLAGE	2	2	2	
12	90105-09009	BOLT, FLANGE BOULON	8	8	8	
13	90119-06MA3	BOLT, WITH WASHER BOULON, AVEC RONDELLE	4	4	4	
14	6BG-11191-00-9S	COVER, CYLINDER HEAD 1 COUVERCLE, CULASSE 1	1	1	1	
15	62Y-14485-00	.PIPE, JOINT .DURITE	1	1	1	
16	6BG-11168-00	COVER, BREATHER COUVERCLE, RENIFLARD	1	1	1	
17	98507-04010	SCREW, PAN HEAD VIS, TETE TRONCONIQUE	4	4	4	
18	92907-04600	WASHER RONDELLE	4	4	4	
19	6BG-11356-00	SEAL, CYLINDER 2 JOINT, SPY CYLINDRE	1	1	1	
20	97095-06020	BOLT BOULON	7	7	7	
21	92995-06600	WASHER RONDELLE	7	7	7	
22	6BG-11119-00	HANGER, ENGINE ANNEAU, LEVAGE	1	1	1	
23	97095-06020	BOLT BOULON	2	2	2	
24	92995-06600	WASHER RONDELLE	2	2	2	
25	6G8-15363-00	PLUG, OIL PLOT, HUILE	1	1	1	
26	93210-24M79	O-RING JOINT TORIQUE	1	1	1	
27	94702-00418	PLUG, SPARK (NGK DPR6EB-9) BOUGIE D,ALLUMAGE (NGK DPR6EB-	3	3	3	



FWD
6BG1100-H050

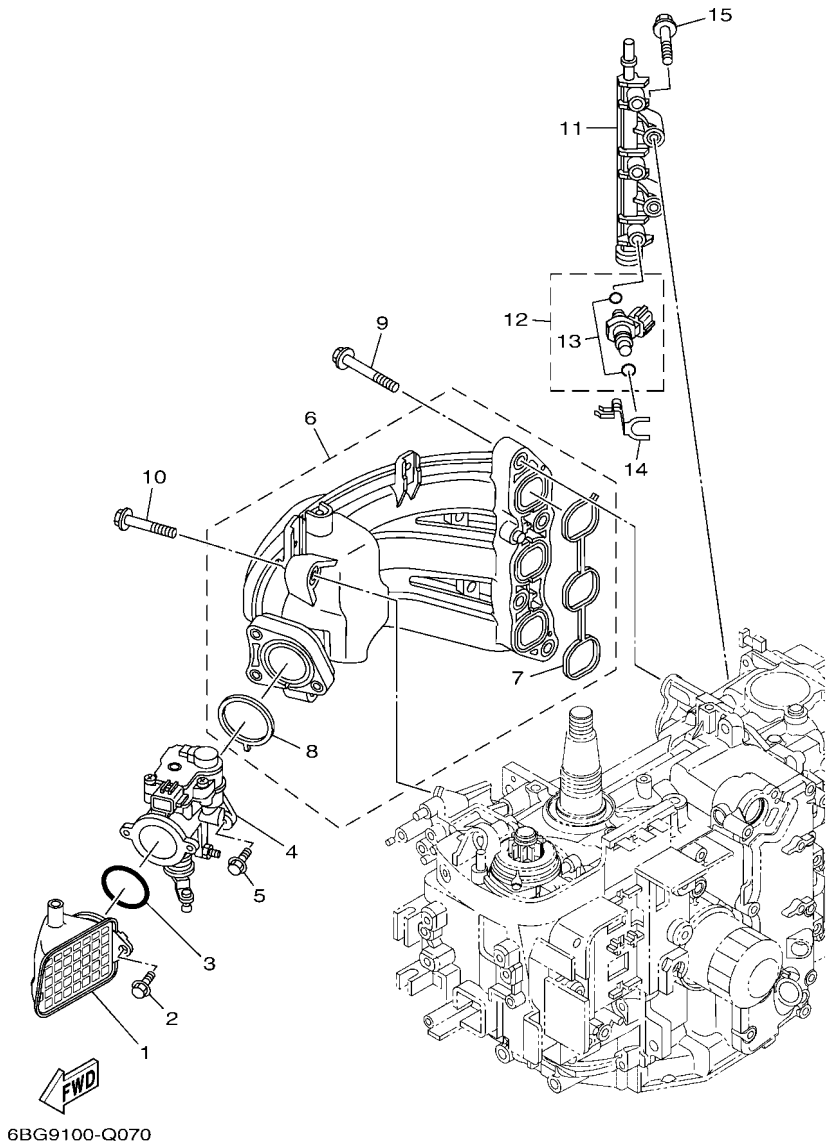
FIG. 6 VALVE

SOUPAPE

REF. NO.	PART NO. N° PIECES	DESCRIPTION DESCRIPTION	U	D	EHD	REMARKS REMARQUES
1	69W-12111-00	VALVE, INTAKE SOUPAPE, ADMISSION	3	3	3	
2	69W-12121-10	VALVE, EXHAUST SOUPAPE, ECHAPPEMENT	3	3	3	
3	62Y-12116-00	SEAT, VALVE SPRING SIEGE, RESSORT DE SOUPAPE	6	6	6	
4	51Y-12114-00	SPRING, VALVE OUTER RESSORT DE SOUPAPE, EXTERNE	6	6	6	
5	30X-12117-00	RETAINER, VALVE SPRING BUTEE DE RESSORT DE SOUPAPE	6	6	6	
6	30X-12118-00	LOCK, VALVE SPRING RETAINER FRAISE, SOUPAPE	12	12	12	
7	51Y-12119-00	SEAL, VALVE STEM JOINT, QUEUE DE SOUPAPE	6	6	6	
8	6BG-12146-00	SHAFT, ROCKER AXE, CULBUTEUR	1	1	1	
9	62Y-12151-00	ARM, VALVE ROCKER CULBUTEUR	1	1	1	
10	64J-12159-00	SCREW, VALVE ADJUSTING VIS, REGLAGE DE SOUPAPE	1	1	1	
11	62Y-12158-00	NUT, LOCK CONTRE-ECROU	1	1	1	
12	6C5-12151-00	ARM, VALVE ROCKER CULBUTEUR	5	5	5	
13	6C5-12159-00	SCREW, VALVE ADJUSTING VIS, REGLAGE DE SOUPAPE	5	5	5	
14	6C5-12158-00	NUT, LOCK CONTRE-ECROU	5	5	5	
15	6C5-12231-00	GUIDE, STOPPER 1 GUIDE, BUTEE 1	2	2	2	
16	6C5-12233-00	PLATE, GUIDE STOPPER 1 PLAQUE, GUIDE BUTEE 1	2	2	2	
17	90201-16014	WASHER, PLATE RONDELLE, PLATE	6	6	6	
18	90105-08060	BOLT, FLANGE BOULON	4	4	4	
19	92990-08200	WASHER, PLAIN RONDELLE, PLATE	2	2	2	

FIG. 7 INTAKE 1

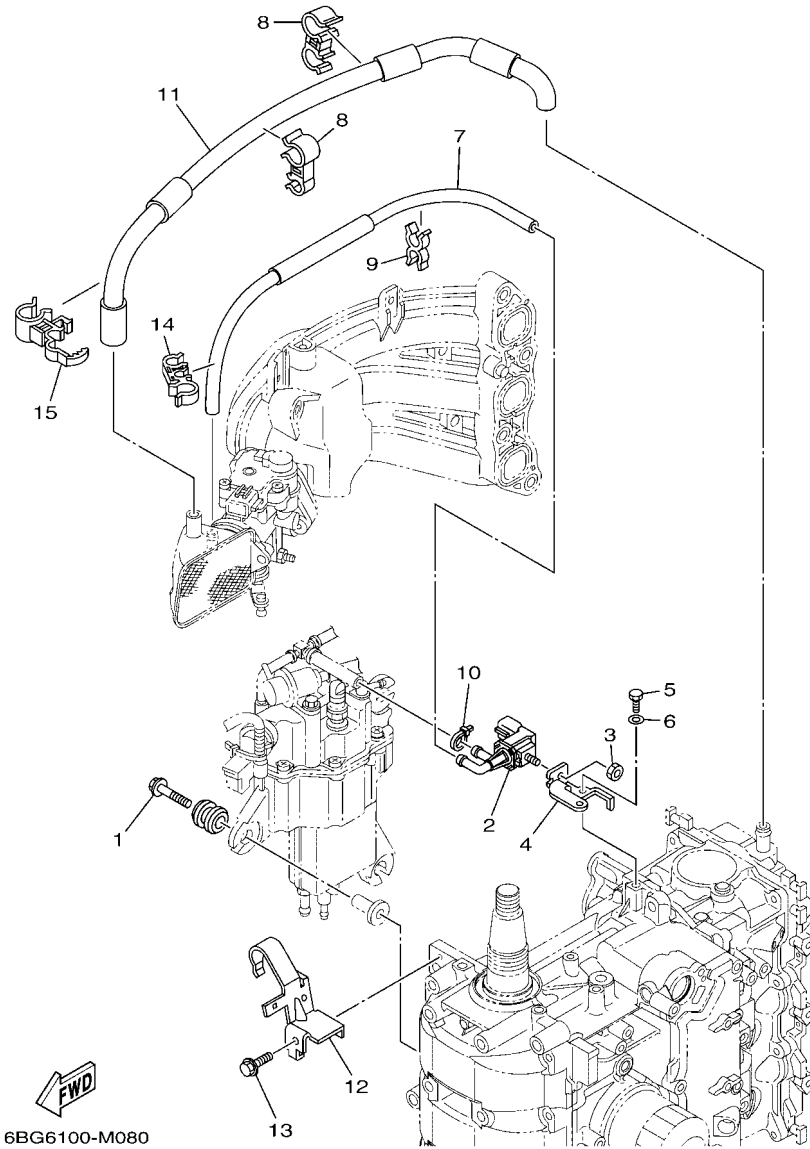
ADMISSION 1



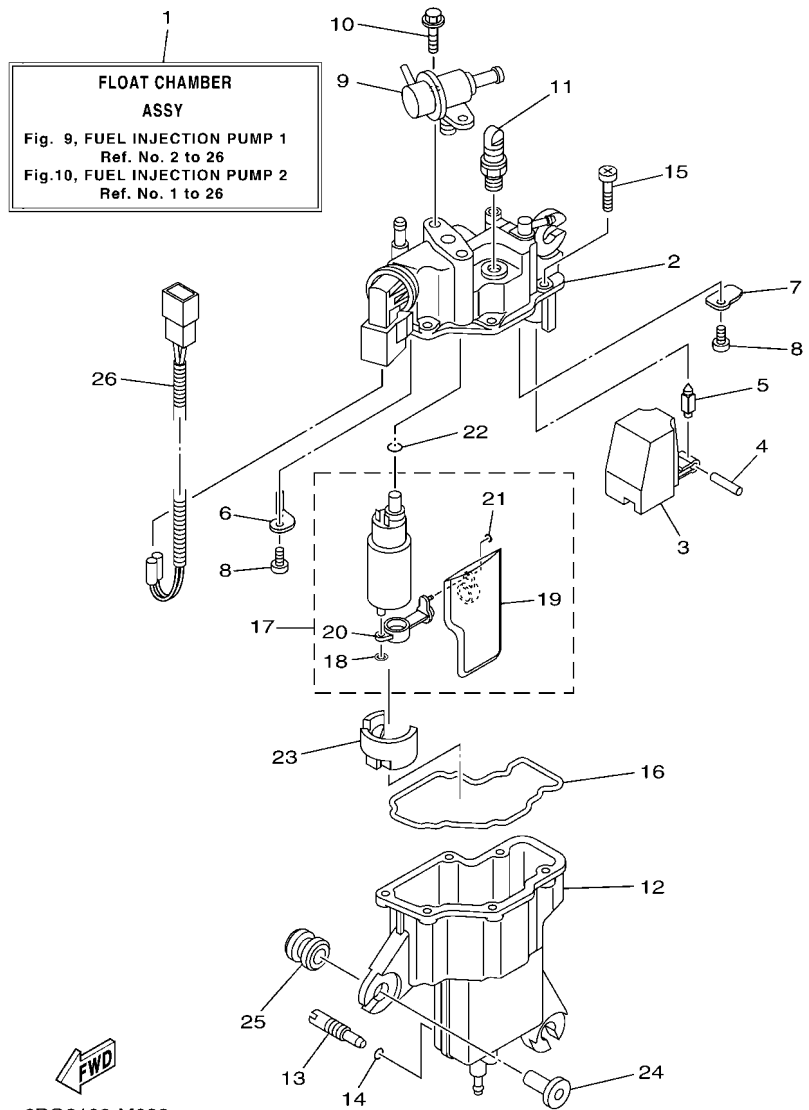
REF. NO.	PART NO. N° PIECES	DESCRIPTION DESCRIPTION	ET	ED	EHD	REMARKS REMARQUES
1	6BG-14440-A0	SILENCER ASSY, INTAKE SIENCIEUX D'ADMISSION	1	1	1	F40F
	6BT-14440-A0	SILENCER ASSY, INTAKE SIENCIEUX D'ADMISSION	1	1	1	F40F F30B F30B
2	95895-06016	BOLT, FLANGE BOULON	2	2	2	
3	93210-42159	O-RING JOINT TORIQUE	1	1	1	
4	6BG-13750-02	THROTTLE BODY ASSY CARTER D'ACCELERATEUR COMPLET	1	1	1	
5	95895-06016	BOLT, FLANGE BOULON	3	3	3	
6	6BG-13641-00	MANIFOLD, INTAKE 1 TUBULURE, ADMISSION 1	1	1	1	
7	6BG-13645-00	.GASKET, MANIFOLD 1 .JOINT, TUBULURE 1	1	1	1	
8	6BG-13557-00	.GASKET .JOINT	1	1	1	
9	90119-08069	BOLT, WITH WASHER BOULON, AVEC RONDELLE	4	4	4	
10	90119-06126	BOLT, WITH WASHER BOULON, AVEC RONDELLE	2	2	2	
11	6BG-13161-00	PIPE, DELIVERY 1 DURITE REFOULEMENT 1	1	1	1	
12	6BG-13761-00	INJECTOR INJECTEUR	3	3	3	
13	6C5-1410B-00	.PACKING KIT .POCHETTE DE JOINTS	1	1	1	
14	6BG-13577-00	CLIP AGRAFE	3	3	3	
15	95895-06040	BOLT, FLANGE BOULON	2	2	2	

FIG. 8 INTAKE 2

ADMISSION 2



REF. NO.	PART NO. N° PIECES	DESCRIPTION DESCRIPTION	ET	ED	EHD	REMARKS REMARQUES
1	90119-06M61	BOLT, WITH WASHER BOULON, AVEC RONDELLE	3	3	3	
2	6C5-86120-00	SOLENOID VALVE ASSY SOLENOIDE	1	1	1	
3	95380-06600	NUT, HEXAGON ECROU	1	1	1	
4	6BG-86112-10	STAY, SOLENOID SUPPORT, SOLENOIDE	1	1	1	
5	97095-06016	BOLT BOULON	1	1	1	
6	92995-06600	WASHER RONDELLE	1	1	1	
7	6BG-12576-00	HOSE 1 TUYAU 1	1	1	1	
8	90464-15007	CLAMP BRIDE	2	2	2	
9	90464-11M24	CLAMP BRIDE	1	1	1	
10	90465-11M10	CLAMP BRIDE	1	1	1	
11	6BG-1531A-00	HOSE, BREATHER 1 DURITE DE RENIFLARD 1	1	1	1	
12	6BG-15378-00	HOLDER SUPPORT	1	1	1	
13	90119-06037	BOLT, WITH WASHER BOULON, AVEC RONDELLE	1	1	1	
14	90464-15008	CLAMP BRIDE	1	1	1	
15	90464-15011	CLAMP BRIDE	1	1	1	



6BG6100-M090

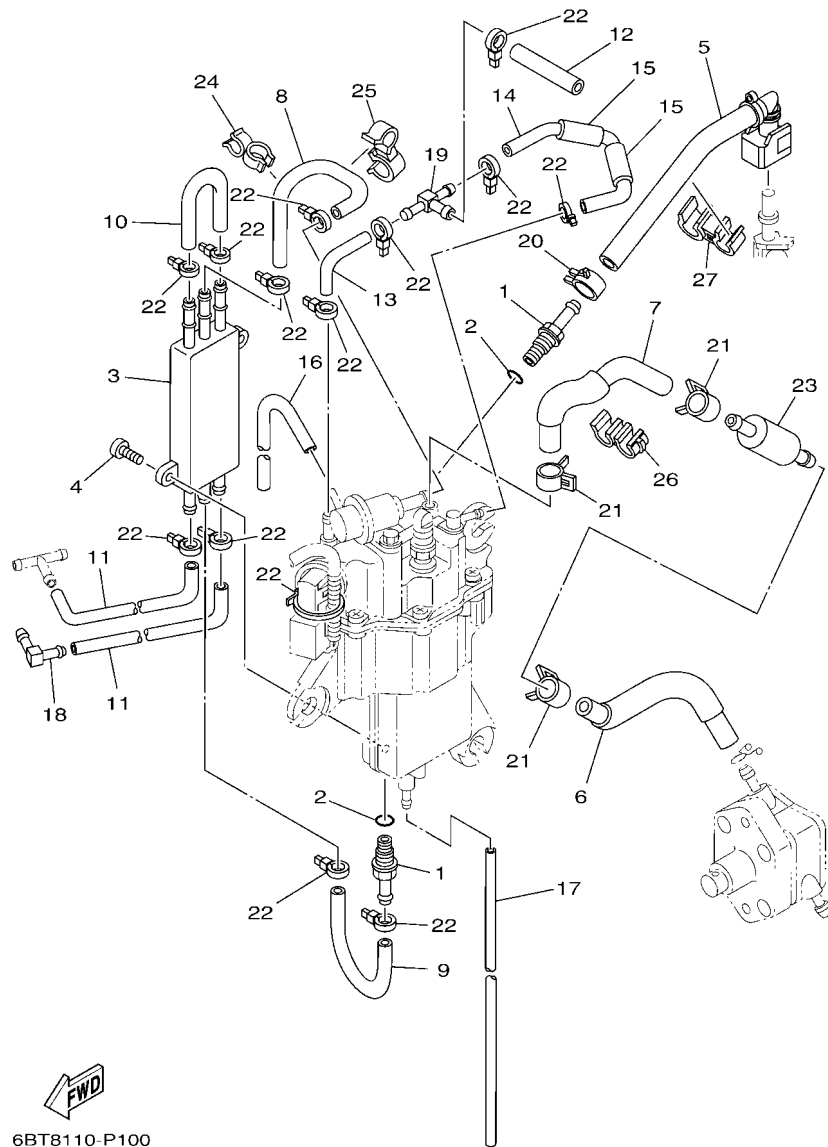
FIG. 9 FUEL INJECTION PUMP 1

POMPE A INJECTEUR 1

REF. NO.	PART NO. N° PIECES	DESCRIPTION DESCRIPTION	ET	ED	EHD	REMARKS REMARQUES
1	6BG-14180-04	FLOAT CHAMBER ASSY CUVE DE FLOTTEUR	1	1	1	
2	6BG-14182-10	COVER, FLOAT CHAMBER COUVERCLE, CUVE DE FLOTTEUR	1	1	1	
3	6BG-14985-00	FLOAT FLOTTEUR	1	1	1	
4	6C5-14386-00	PIN, FLOAT AXE, FLOTTEUR	1	1	1	
5	6C5-14546-10	VALVE, NEEDLE POINTEAU	1	1	1	
6	6BG-2441R-10	PLATE, BAFFLE 1 SEPARATEUR 1	1	1	1	
7	6BG-2441T-10	PLATE, BAFFLE 2 SEPARATEUR 2	1	1	1	
8	6C5-24453-00	SCREW VIS	2	2	2	
9	6C5-13906-01	REGULATOR, PRESSURE REGULATEUR DE PRESSION	1	1	1	
10	6C5-24592-00	BOLT BOLTE	2	2	2	
11	6C5-14225-00	CAP COUVERCLE	1	1	1	
12	6BG-14960-10	BODY ASSY CARTER (ENS.)	1	1	1	
13	6C5-14191-00	PLUG, DRAIN PLOT, VIDANGE	1	1	1	
14	6C5-14397-00	O-RING JOINT TORIQUE	1	1	1	
15	6C5-14567-00	SCREW VIS	6	6	6	
16	6BG-14984-00	GASKET, FLOAT CHAMBER JOINT, CUVE DE FLOTTEUR	1	1	1	
17	6BG-13910-02	FUEL PUMP ASSY POMPE A ESSENCE COMPLET	1	1	1	
18	6C5-14127-10	.CLIP .JONC	1	1	1	
19	6BG-13915-01	.FILTER .FILTRE	1	1	1	
20	6BG-13938-00	.PIPE .DURITE	1	1	1	
21	6BG-14137-00	.CLIP .JONC	1	1	1	
22	6BG-14561-00	O-RING JOINT TORIQUE	1	1	1	
23	6BG-13593-00	DAMPER AMORTISSEUR	1	1	1	
24	90387-06M69	COLLAR COLLERETTE	3	3	3	
25	90480-09M12	GROMMET PASSE-FIL	3	3	3	
26	6BG-82553-00	EXTENSION, WIRE LEAD EXTENSION, FAISCEAU	1	1	1	

FIG. 10 FUEL INJECTION PUMP 2

POMPE A INJECTEUR 2

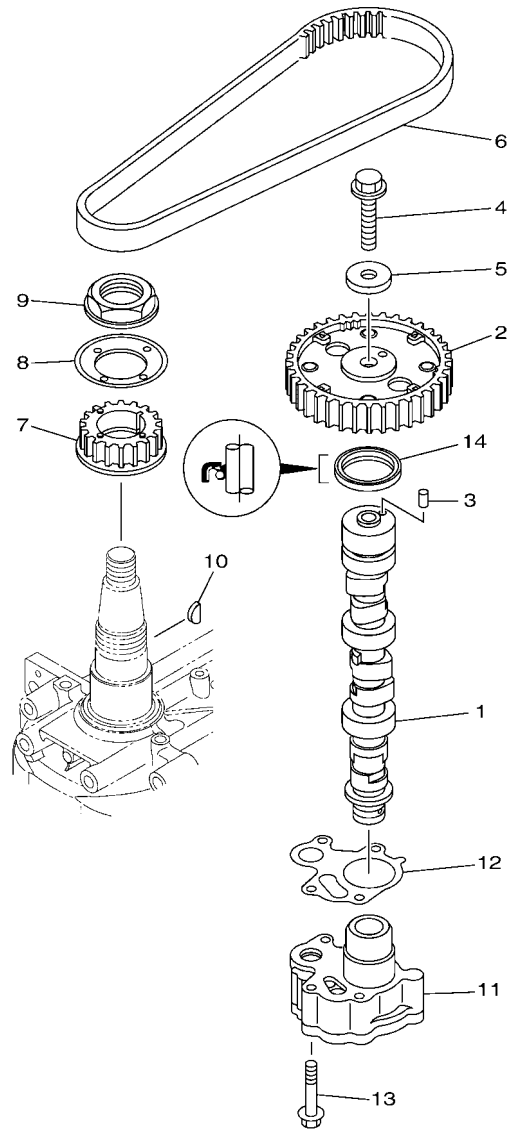


6BT8110-P100

REF. NO.	PART NO. N° PIECES	DESCRIPTION DESCRIPTION	EL	ED	EHD	REMARKS REMARQUES
1	6C5-14251-00	NIPPLE RACCORD	2	2	2	
2	6C5-13739-00	O-RING JOINT TORIQUE	2	2	2	
3	6C5-21841-01	COOLER RADIATEUR	1	1	1	
4	6C5-24444-00	SCREW VIS	2	2	2	
5	6BG-13974-00	PIPE, FUEL 4 TUBE 4, CARBURANT	1	1	1	
6	6BG-2451B-00	HOSE, FUEL INLET DURITE	1	1	1	
7	6BG-14148-00	PIPE DURITE	1	1	1	
8	6BG-24321-00	PIPE 10 DURITE 10	1	1	1	
9	6BG-24322-00	PIPE 11 DURITE 11	1	1	1	
10	6BG-24323-00	PIPE 12 DURITE 12	1	1	1	
11	6BG-24324-00	PIPE 13 DURITE 13	2	2	2	
12	6C5-13547-00	HOSE 3 DURITE 3	1	1	1	
13	6BG-13545-00	HOSE 1 DURITE 1	1	1	1	
14	6BG-13546-00	HOSE 2 DURITE 2	1	1	1	
15	6BG-13548-00	HOSE, AIR 4 DURITE, A AIR 4	2	2	2	
16	6BG-13542-00	HOSE, VACUUM SENSING 1 DURITE 1	1	1	1	
17	6BG-14149-00	PIPE DURITE	1	1	1	
18	6C5-1410F-00	CONNECTOR CONNECTEUR	1	1	1	
19	6C5-24379-00	PIPE, JOINT 4 DURITE RACCORDEMENT 4	1	1	1	
20	6C5-13577-00	CLIP AGRAFE	1	1	1	
21	6BG-24387-00	CLIP SANDOW	3	3	3	
22	90465-11M10	CLAMP BRIDE	14	14	14	
23	6C5-24251-00	STRAINER 1 FILTRE 1	1	1	1	
24	90464-12006	CLAMP BRIDE	1	1	1	
25	90464-12010	CLAMP BRIDE	1	1	1	
26	90464-12224	CLAMP BRIDE	1	1	1	
27	90464-15007	CLAMP BRIDE	1	1	1	

FIG. 11 OIL PUMP

POMPE A HUILE



REF. NO.	PART NO. N° PIECES	DESCRIPTION DESCRIPTION	ET	ED	EHD	REMARKS REMARQUES
1	6BG-12171-01	CAMSHAFT 1 ARBRE A CAMES 1	1	1	1	
2	6C5-11537-10	GEAR, DRIVEN PIGNON SECONDAIRE	1	1	1	
3	93605-17002	PIN, DOWEL AXE	1	1	1	
4	95817-10035	BOLT, FLANGE BOULON, A COLLERETTE	1	1	1	
5	90201-10144	WASHER, PLATE RONDELLE, PLATE	1	1	1	
6	6C5-46241-00	BELT COURROIE TRAPEZOIDALE	1	1	1	
7	6C5-11536-00	GEAR, DRIVE ENGRENAGE, MENANT	1	1	1	
8	62Y-11557-00	WASHER 1 RONDELLE 1	1	1	1	
9	90179-35001	NUT ECROU	1	1	1	
10	90280-03017	KEY, WOODRUFF CLAVETTE, DEMI-LUNE	1	1	1	
11	6BG-13300-01	OIL PUMP ASSY POMPE A HUILE COMPLETE	1	1	1	
12	6C5-13329-00	GASKET, PUMP COVER JOINT, COUVERCLE DE POMPE	1	1	1	
13	90119-06025	BOLT, WITH WASHER BOULON, AVEC RONDELLE	4	4	4	
14	93102-37M40	OIL SEAL JOINT SPY	1	1	1	


6BG9100-Q110

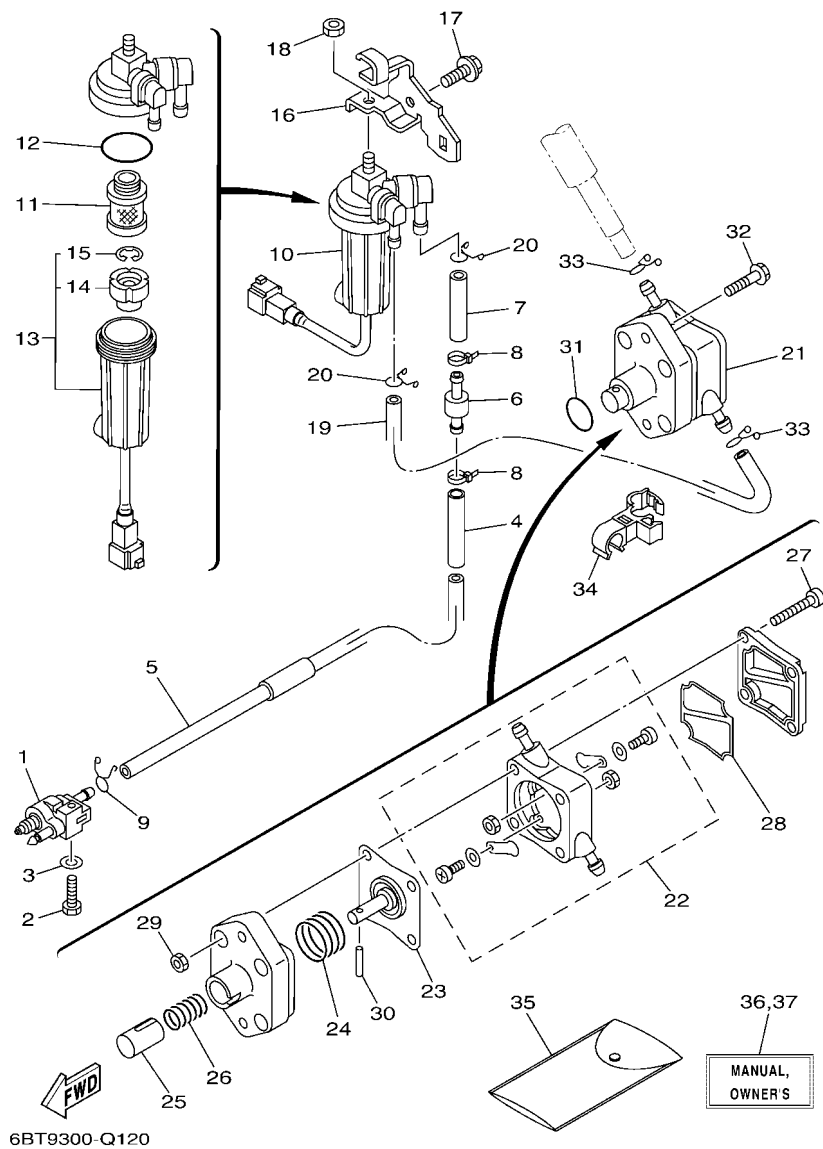


FIG. 12 FUEL

CARBURANT

REF. NO.	PART NO. N° PIECES	DESCRIPTION DESCRIPTION	Et	Ed	Ehd	REMARKS REMARQUES
1	6G1-24304-10	FUEL PIPE JOINT COMP. 1 DURITE RACCORDEMT. A ESSENCE	1	1	1	
2	97095-06025	BOLT BOULON	1	1	1	
3	92995-06600	WASHER RONDELLE	1	1	1	
4	90445-14020	HOSE (L65) DURITE (L65)	1	1	1	
5	6BG-24313-00	PIPE 3 DURITE 3	1	1	1	
6	67F-24377-00	PIPE, JOINT 2 DURITE RACCORDEMENT 2	1	1	1	
7	90445-13M02	HOSE (L40) DURITE (L40)	1	1	1	
8	90465-11M10	CLAMP BRIDE	2	2	2	
9	90467-09M17	CLIP JONC	1	1	1	
10	6D8-24560-01	FILTER ASSY ENS FILTRE	1	1	1	
11	6D8-24563-00	.ELEMENT, FILTER .ELEMENT, FILTRE	1	1	1	
12	6D8-24564-00	.GASKET .JOINT	1	1	1	
13	6D8-24562-00	.CUP, FILTER .CUVETTE, FILTRE	1	1	1	
14	6D8-24469-00	.FLOAT, WATER LEVEL .FLOTTEUR	1	1	1	
15	6D8-24519-00	.CLIP .JONC	1	1	1	
16	6BG-24566-01	BRACKET, FILTER SUPPORT, FILTRE	1	1	1	
17	95895-08016	BOLT, FLANGE BOULON	1	1	1	
18	95380-08600	NUT ECROU	1	1	1	
19	6BG-24311-00	PIPE, FUEL 1 DURITE A ESSENCE	1	1	1	
20	90467-11M08	CLIP JONC	2	2	2	
21	6C5-24410-00	FUEL PUMP ASSY POMPE A ESSENCE	1	1	1	
22	6C5-24415-00	.BODY 4 .CORPS 4	1	1	1	
23	62Y-24411-02	.DIAPHRAGM .DIAPHRAGME	1	1	1	
24	62Y-24423-00	.SPRING, DIAPHRAGM .RESSORT, DIAPHRAGME	1	1	1	
25	62Y-13131-00	.PLUNGER .PLONGEUR	1	1	1	
26	62Y-24454-00	.SPRING .RESSORT	1	1	1	
27	62Y-24444-01	.SCREW .VIS	4	4	4	

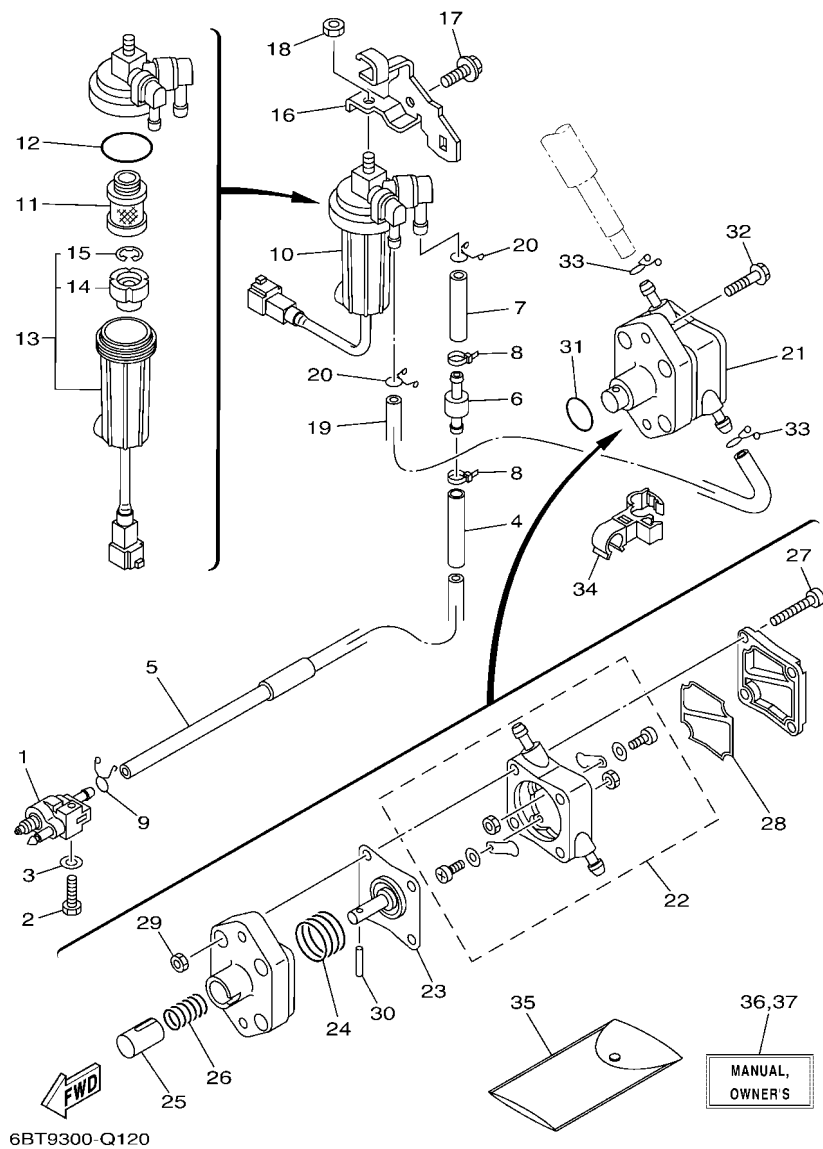


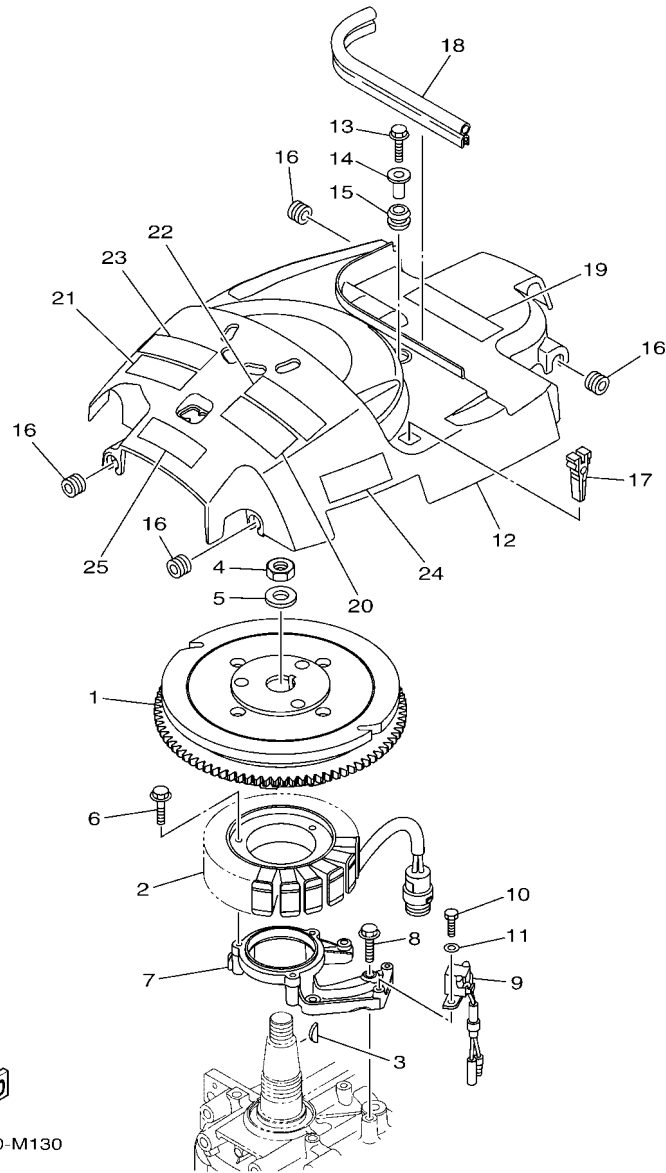
FIG. 12 FUEL

CARBURANT

REF. NO.	PART NO. N° PIECES	DESCRIPTION DESCRIPTION	E1	E2	EHD	REMARKS REMARQUES
28	6C5-24471-00	.DIAPHRAGM .DIAPHRAGME	1	1	1	
29	95380-05600	.NUT .ECROU	4	4	4	
30	62Y-24374-01	.PIN .PIN	1	1	1	
31	93210-24M79	O-RING JOINT TORIQUE	1	1	1	
32	97595-06530	BOLT, WITH WASHER VIS HEXAGONAL AVC RONDELLE	2	2	2	
33	90467-10M04	CLIP JONC	2	2	2	
34	90464-12012	CLAMP BRIDE	1	1	1	
35	6C5-28100-00	TOOL KIT TROUSSE A OUTILS	1	1	1	AP
36	6BG-28199-79-E0	MANUAL, OWNER'S MANUEL D'UTILISATION	1	1	1	UR (E)
	6BG-28199-79-F0	MANUAL, OWNER'S MANUEL D'UTILISATION	1	1	1	UR (F)
	6BG-28199-79-S0	MANUAL, OWNER'S MANUEL D'UTILISATION	1	1	1	UR (ES)
	6BG-28199-79-G0	MANUAL, OWNER'S MANUEL D'UTILISATION	1	1	1	UR (D)
	6BG-28199-79-D0	MANUAL, OWNER'S MANUEL D'UTILISATION	1	1	1	UR (NL)
	6BG-28199-79-H0	MANUAL, OWNER'S MANUEL D'UTILISATION	1	1	1	UR (I)
37	6BG-28199-89-K0	MANUAL, OWNER'S MANUEL D'UTILISATION	1	1	1	UR (DK)
	6BG-28199-89-R0	MANUAL, OWNER'S MANUEL D'UTILISATION	1	1	1	UR (GR)
	6BG-28199-89-P0	MANUAL, OWNER'S MANUEL D'UTILISATION	1	1	1	UR (P)
	6BG-28199-89-N0	MANUAL, OWNER'S MANUEL D'UTILISATION	1	1	1	UR (N)
	6BG-28199-89-M0	MANUAL, OWNER'S MANUEL D'UTILISATION	1	1	1	UR (S)
	6BG-28199-89-L0	MANUAL, OWNER'S MANUEL D'UTILISATION	1	1	1	UR (SF)

FIG. 13 GENERATOR

GENERATRICE

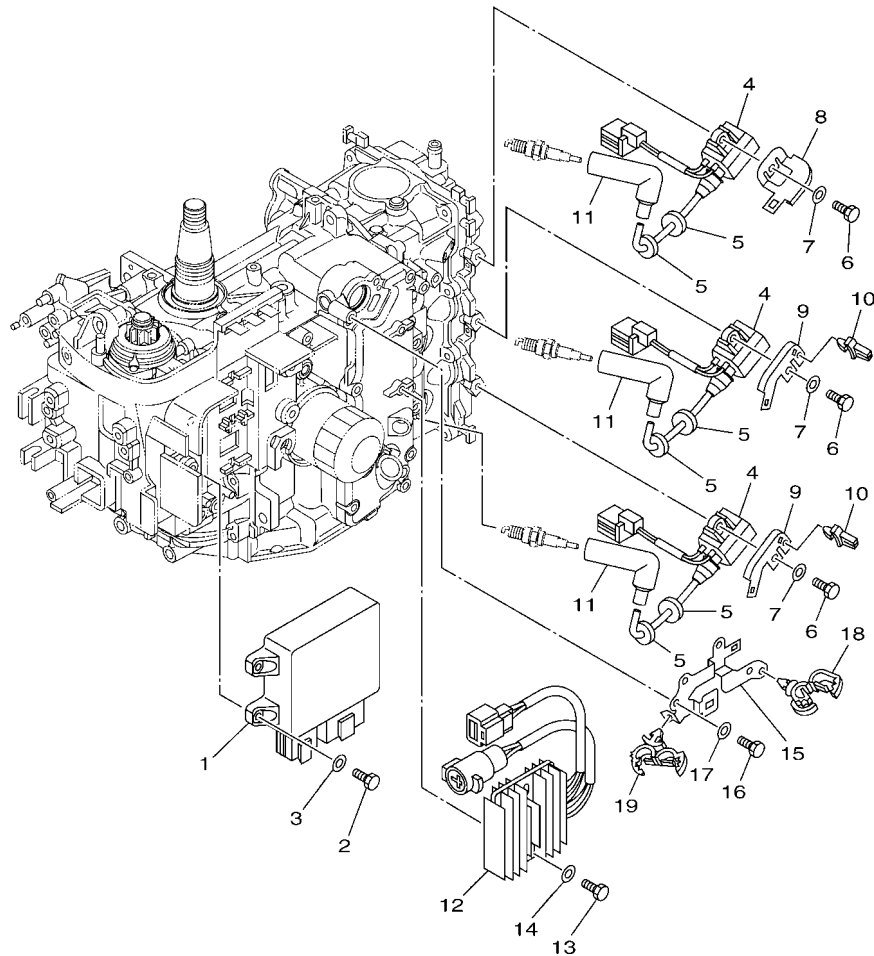


FWD
6BG6300-M130

REF. NO.	PART NO. N° PIECES	DESCRIPTION DESCRIPTION	ET	ED	EHD	REMARKS REMARQUES
1	6BG-81450-00	ROTOR ASSY ROTOR COMPLET	1	1	1	
2	6BG-81410-00	STATOR ASSY STATOR COMPLET	1	1	1	
3	6H4-11545-00	KEY, WOODRUFF CLAVETTE, DEMI-LUNE	1	1	1	
4	90170-20137	NUT ECROU	1	1	1	
5	90201-21M18	WASHER, PLATE RONDELLE, PLATE	1	1	1	
6	95023-06030	BOLT BOULON, A COLLERETTE	3	3	3	
7	6BG-85561-00-94	BASE, MAGNETO BASE, MAGNETO	1	1	1	
8	95023-06030	BOLT BOULON, A COLLERETTE	4	4	4	
9	6AH-85580-00	COIL, PULSER BOBINE, PULSEUR	1	1	1	
10	97095-05016	BOLT BOULON	2	2	2	
11	92995-05600	WASHER RONDELLE	2	2	2	
12	6BG-81337-10	COVER, FLYWHEEL COUVERCLE, VOLANT	1	1	1	
13	95895-06020	BOLT, FLANGE BOULON	1	1	1	
14	90387-06285	COLLAR COLLERETTE	1	1	1	
15	90480-15M31	GROMMET PASSE-FIL	1	1	1	
16	90480-12314	GROMMET PASSE-FIL	4	4	4	
17	67F-2812A-00	PULLER, FUSE TENDEUR, FUSIBLE	1	1	1	
18	6BG-42617-00	DAMPER, FORM BOURRELET, CAOUTCHOUC	1	1	1	
19	6BG-13437-60	MARK, CAUTION MAKER	1	1	1	
20	6EE-81995-40	LABEL, WARNING ETIQUETTE, AVERTISSEMENT	1	1	1	
21	6EE-81995-50	LABEL, WARNING ETIQUETTE, AVERTISSEMENT	1	1	1	
22	6EE-81994-40	LABEL, SAFETY ETIQUETTE, SECURITE	1	1	1	
23	6EE-81994-50	LABEL, SAFETY ETIQUETTE, SECURITE	1	1	1	
24	6BG-81919-00	GRAPHIC, REGULATOR ADHESIF, REGULATEUR	1	1	1	
25	6AG-81996-00	MARK MARQUE	1	1		

FIG. 14 ELECTRICAL 1

PARTIE ELECTRIQUE 1

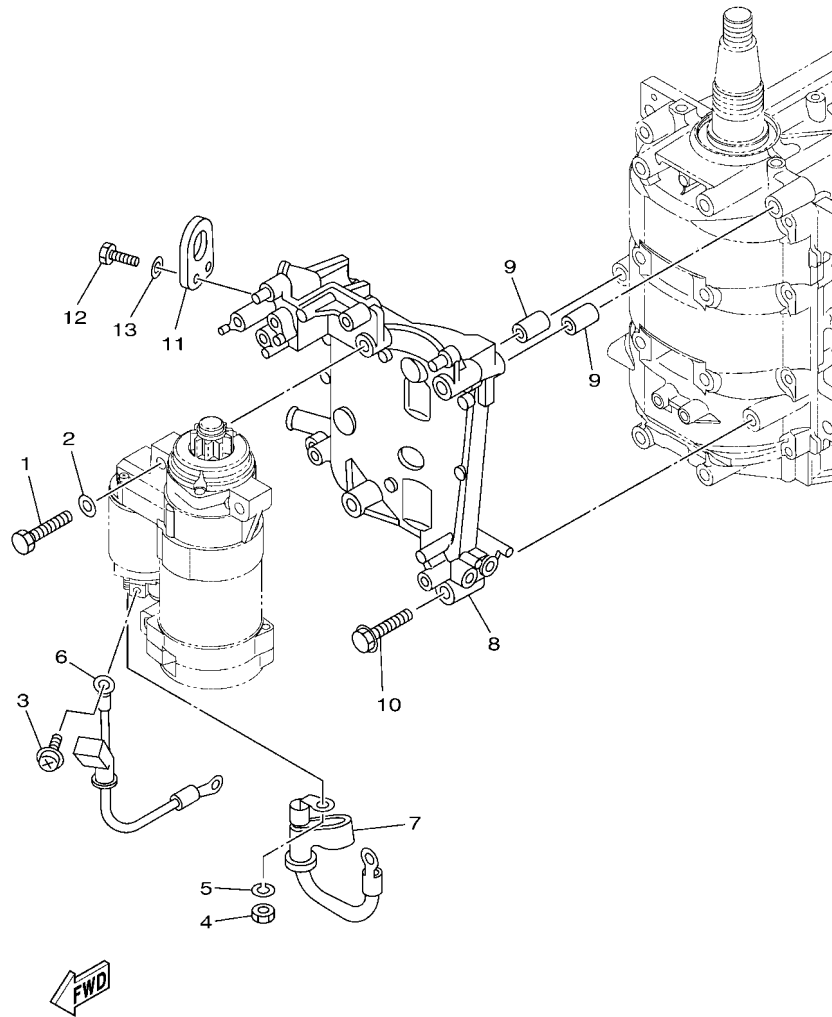


REF. NO.	PART NO. N° PIECES	DESCRIPTION DESCRIPTION	ET	ED	EHD	REMARKS REMARQUES
1	6BG-8591A-04	ENGINE CONTROL UNIT ASSY BLOC DE CONTROL	1	1	1	F40F
	6BT-8591A-03	ENGINE CONTROL UNIT ASSY BLOC DE CONTROL	1	1		F40F F30B F30B
2	97095-06025	BOLT BOULON	4	4	4	
3	92995-06600	WASHER RONDELLE	4	4	4	
4	6BG-85570-00	IGNITION COIL ASSY BOBINE D'ALLUMAGE (ENS.)	3	3	3	
5	90480-25003	GROMMET PASSE-FIL	6	6	6	
6	97095-06025	BOLT BOULON	3	3	3	
7	92995-06600	WASHER RONDELLE	3	3	3	
8	6BG-82398-00	PLATE 3 PLAQUETTE 3	1	1	1	
9	6BG-82389-00	PLATE 2 PLAQUETTE 2	2	2	2	
10	90464-06001	CLAMP BRIDE	2	2	2	
11	6AH-82370-00	PLUG CAP ASSY ANTIPARASITE	3	3	3	
12	6BG-81960-00	RECTIFIER & REGULATOR ASSY REDRESSEUR REGULATEUR CPLT	1	1	1	
13	97095-06025	BOLT BOULON	2	2	2	
14	92995-06600	WASHER RONDELLE	2	2	2	
15	6BG-81528-00	CLAMP 1 COLLIER 1	1	1	1	
16	97095-06016	BOLT BOULON	2	2	2	
17	92995-06600	WASHER RONDELLE	2	2	2	
18	90464-13249	CLAMP BRIDE	3	3	3	
19	90464-18246	CLAMP BRIDE	1	1	1	


6BG1100-H130

FIG. 15 ELECTRICAL 2

PARTIE ELECTRIQUE 2

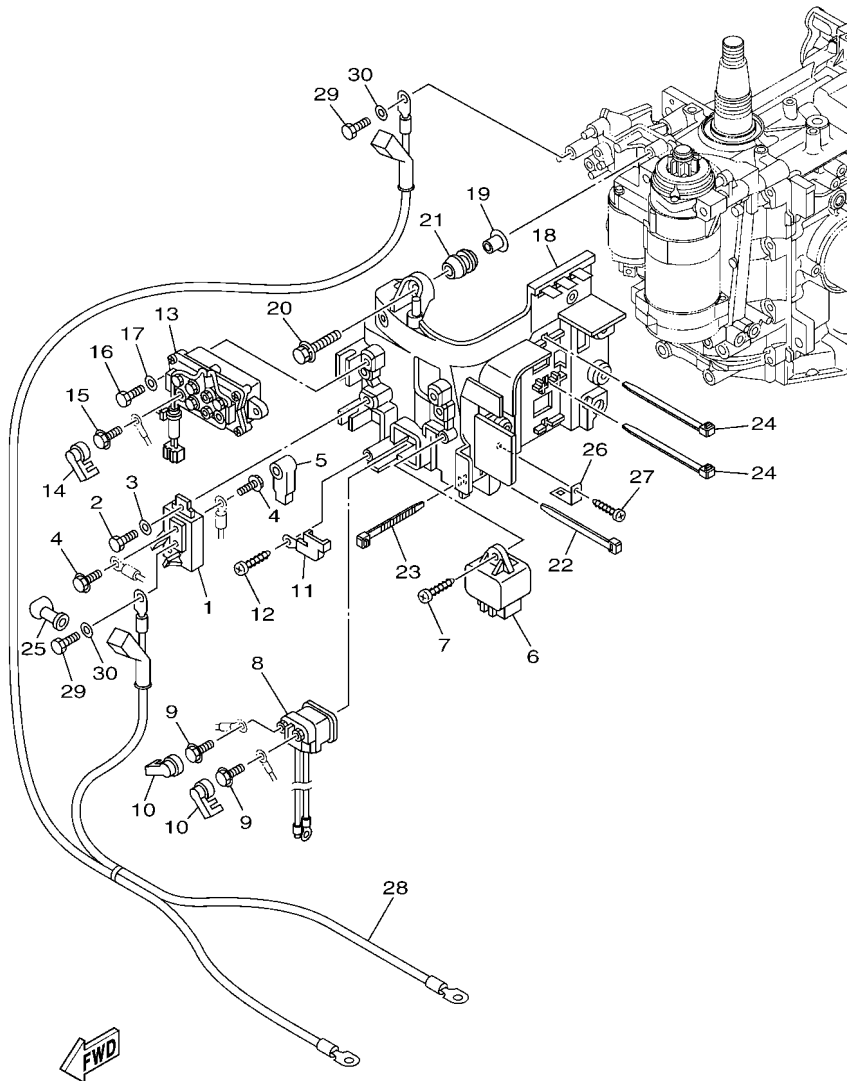


6BG9100-Q150

REF. NO.	PART NO. N° PIECES	DESCRIPTION DESCRIPTION	ET	ED	EHD	REMARKS REMARQUES
1	97013-08045	BOLT BOULON	3	3	3	
2	92903-08600	WASHER, PLATE RONDELLE, PLATE	3	3	3	
3	90159-05M12	SCREW, WITH WASHER VIS, AVEC RONDELLE	1	1	1	
4	95333-08600	NUT ECROU	1	1	1	
5	92903-08100	WASHER, SPRING RONDELLE, GROWER	1	1	1	
6	6BG-81815-00	CORD, STARTER MOTOR FIL, DEMARREUR ELECTRIQUE	1	1	1	
7	6BG-82115-00	WIRE, PLUS LEAD FIL, POSITIF	1	1	1	
8	6BG-81822-00	BRACKET, STARTING MOTOR SUPPORT, DEMARREUR ELECTRIQUE	1	1	1	
9	99530-10114	PIN, DOWEL GOUJON, D'ASSEMBLAGE	2	2	2	
10	97595-08545	BOLT, WITH WASHER VIS HEXAGONAL AVC RONDELLE	4	4	4	
11	62Y-11119-00	HANGER, ENGINE ANNEAU, LEVAGE	1	1	1	
12	97095-06020	BOLT BOULON	2	2	2	
13	92995-06600	WASHER RONDELLE	2	2	2	

FIG. 16 ELECTRICAL 3

PARTIE ELECTRIQUE 3

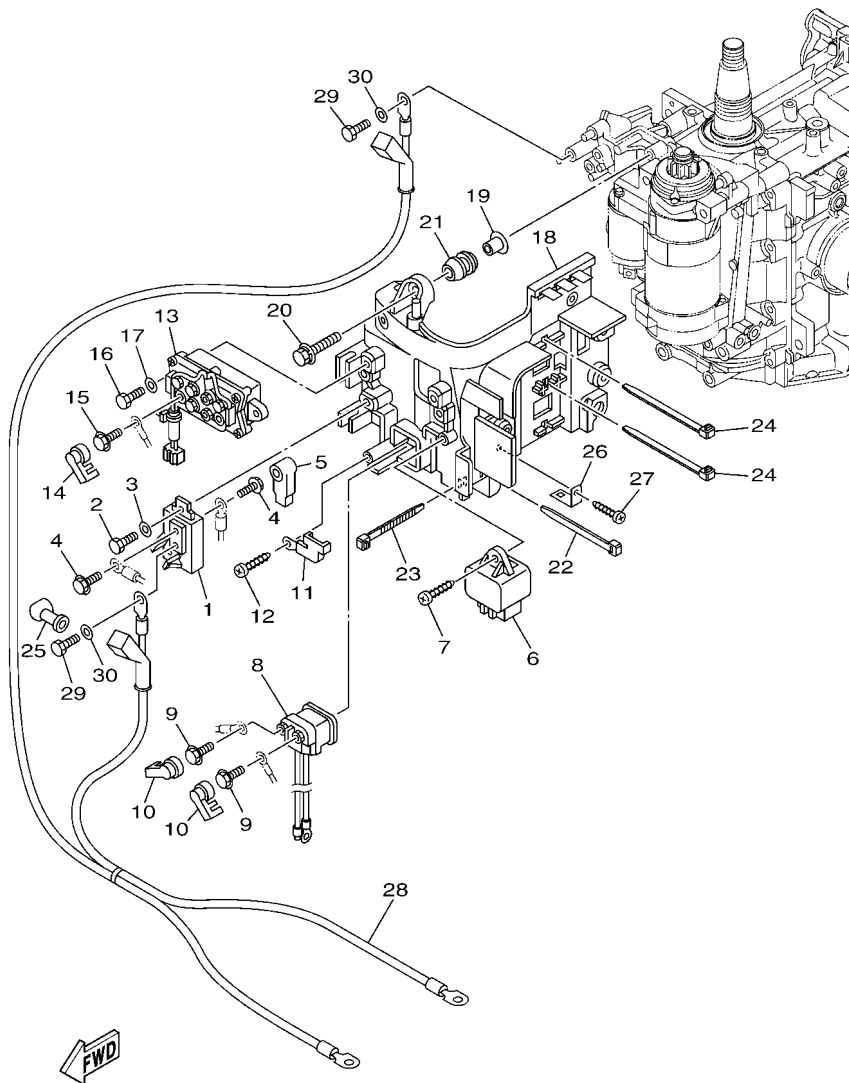


6BG3110-K160

REF. NO.	PART NO. N° PIECES	DESCRIPTION DESCRIPTION	ET	ED	EHD	REMARKS REMARQUES
1	6BG-81925-00	TERMINAL BORNE	1	1	1	
2	97095-06016	BOLT BOULON	1	1	1	
3	92995-06600	WASHER RONDELLE	1	1	1	
4	97595-06610	BOLT, WITH WASHER VIS HEXAGONAL AVC RONDELLE	2	2	2	
5	682-82119-01	COVER, LEAD WIRE GARNITURE, FIL	1	1	1	
6	60E-81950-00	RELAY ASSY RELAIS COMPLET	1	1	1	
7	97780-60620	SCREW, TAPPING VIS, TETE BOMBEE	1	1	1	
8	6AW-8194A-00	RELAY RELAIS	1	1	1	
9	97595-06610	BOLT, WITH WASHER VIS HEXAGONAL AVC RONDELLE	2	2	2	
10	6P2-8183X-00	CAP, TERMINAL COUVERCLE, BORNE	2	2	2	
11	68F-81953-00	STAY, RELAY SUPPORT, RELAIS	1	1	1	
12	97780-60620	SCREW, TAPPING VIS, TETE BOMBEE	1	1	1	
13	63P-81950-00	RELAY ASSY RELAIS COMPLET	1			
14	6P2-8183X-00	CAP, TERMINAL COUVERCLE, BORNE	2			
15	97595-06610	BOLT, WITH WASHER VIS HEXAGONAL AVC RONDELLE	2			
16	97095-06020	BOLT BOULON	2			
17	92995-06600	WASHER RONDELLE	2			
18	6BG-81948-00	BRACKET SUPPORT	1	1	1	
19	90387-06119	COLLAR COLLERETTE	6	6	6	
20	95895-06025	BOLT, FLANGE BOULON	6	6	6	
21	6A0-82317-00	DAMPER, IGNITION COIL AMORTISSEUR, BOBINE D'ALLUM	6	6	6	
22	90465-13M24	CLAMP BRIDE	1	1	1	
23	90465-13M39	CLAMP BRIDE	1	1	1	
24	90465-14M66	CLAMP BRIDE	2	2	2	
25	6G5-82119-00	COVER, LEAD WIRE GARNITURE, FIL	1	1	1	
26	68V-85548-01	HOLDER SUPPORT	1	1	1	
27	97780-60620	SCREW, TAPPING VIS, TETE BOMBEE	1	1	1	

FIG. 16 ELECTRICAL 3

PARTIE ELECTRIQUE 3

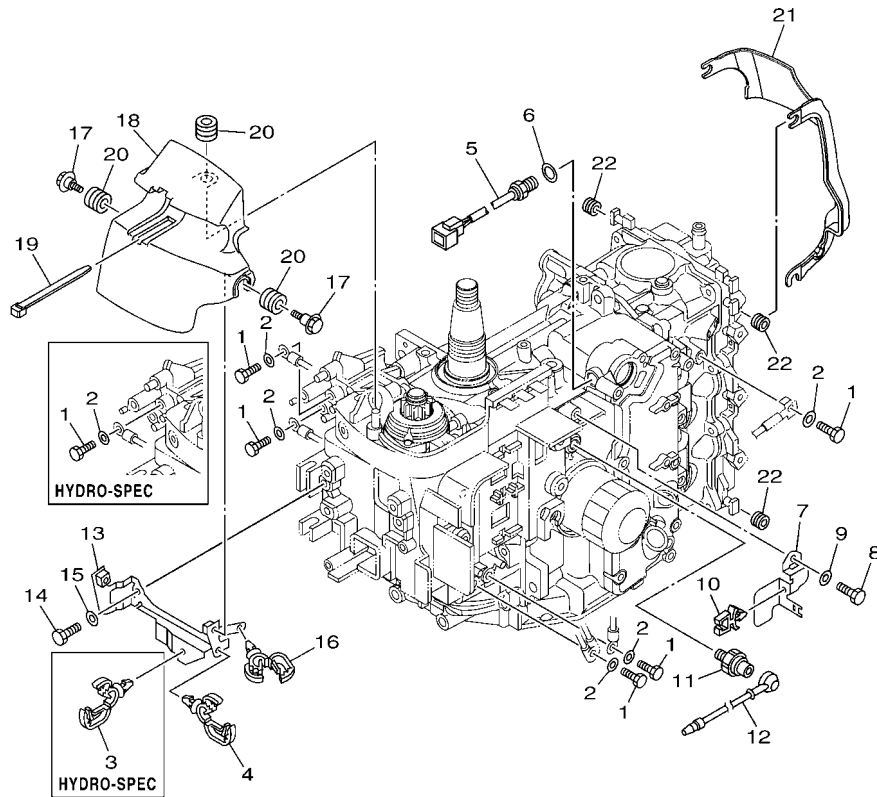


6BG3110-K160

REF. NO.	PART NO. N° PIECES	DESCRIPTION DESCRIPTION	ET	ED	EHD	REMARKS REMARQUES
28	6BG-82105-01	BATTERY CABLE CABLE DE BATTERIE	1	1	1	AP
29	97095-06016	BOLT BOULON	2	2	2	AP
30	92995-06600	WASHER RONDELLE	2	2	2	AP

FIG. 17 ELECTRICAL 4

PARTIE ELECTRIQUE 4

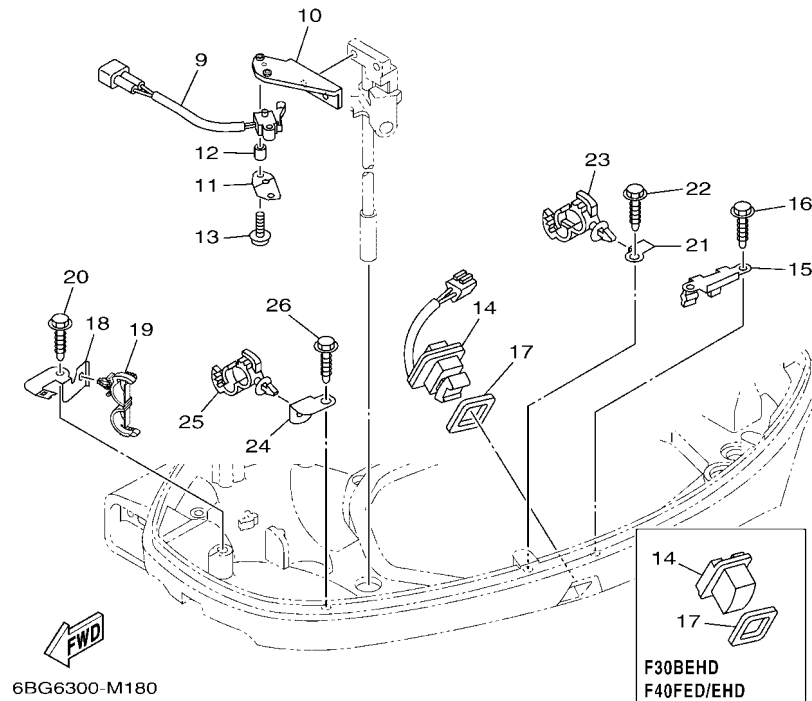
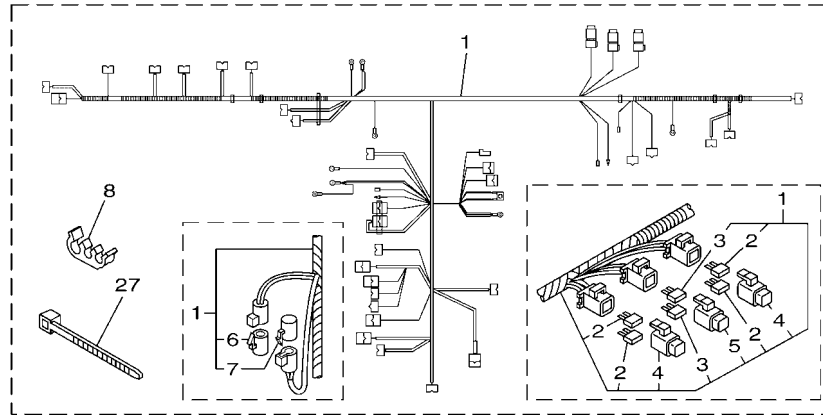


6BG1100-H160

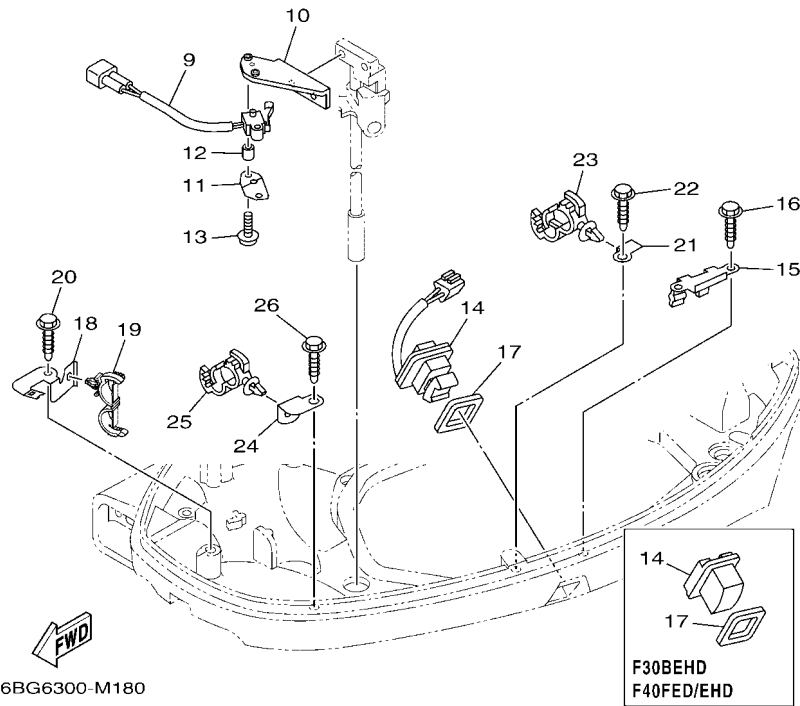
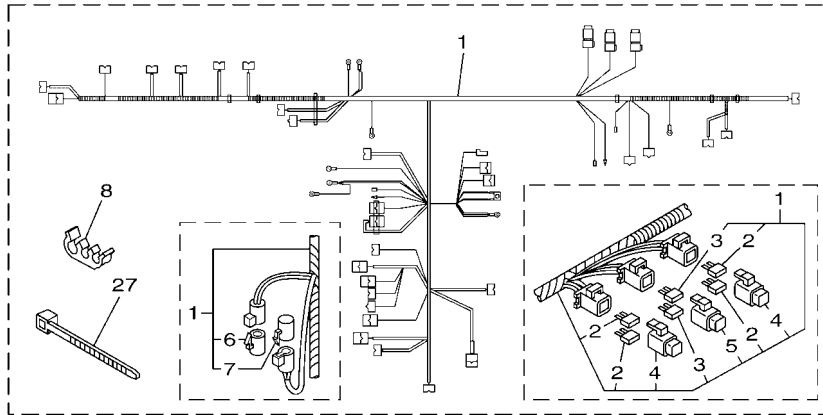
REF. NO.	PART NO. N° PIECES	DESCRIPTION DESCRIPTION	ET	ED	EHD	REMARKS REMARQUES
1	97095-06016	BOLT BOULON	5			
	97095-06016	BOLT BOULON		4	4	
2	92995-06600	WASHER RONDELLE	5			
	92995-06600	WASHER RONDELLE		4	4	
3	90464-13249	CLAMP BRIDE	1	1	1	
4	90464-13249	CLAMP BRIDE	1	1	1	
5	6CJ-85790-00	THERMOSENSOR ASSY SENSITOMETRE	1	1	1	
6	90430-14115	GASKET JOINT	1	1	1	
7	6BG-82388-00	PLATE PLAQUETTE	1	1	1	
8	97095-06016	BOLT BOULON	1	1	1	
9	92995-06600	WASHER RONDELLE	1	1	1	
10	90464-06001	CLAMP BRIDE	1	1	1	
11	64J-82504-00	OIL PRESSURE SWITCH ASSY CONTACTEUR DE PRESSION D'HUILE	1	1	1	
12	68V-81315-00	LEAD WIRE ASSY FIL	1	1	1	
13	6BG-8257V-00	PLATE, CONNECTOR PLAQUE, CONNECTEUR	1	1	1	
14	97095-06016	BOLT BOULON	2	2	2	
15	92995-06600	WASHER RONDELLE	2	2	2	
16	90464-18246	CLAMP BRIDE	1	1	1	
17	90109-06MA1	BOLT BOULON	2	2	2	
18	6BG-81942-00	COVER COUVERCLE	1	1	1	
19	90465-13M24	CLAMP BRIDE	1	1	1	
20	90480-12314	GROMMET PASSE-FIL	3	3	3	
21	6BG-11192-00	COVER, CYLINDER HEAD 2 COUVERCLE, CULASSE 2	1	1	1	
22	90480-12314	GROMMET PASSE-FIL	3	3	3	

FIG. 18 ELECTRICAL 5

PARTIE ELECTRIQUE 5



REF. NO.	PART NO. N° PIECES	DESCRIPTION DESCRIPTION	ET	ED	EHD	REMARKS REMARQUES
1	6BG-82590-04	WIRE HARNESS ASSY FAISCEAU DE FILS COMPLET	1			
	6BG-82590-13	WIRE HARNESS ASSY FAISCEAU DE FILS COMPLET		1	1	
2	67F-82151-00	.FUSE (20A) .FUSIBLE (20A)	4	4	4	
3	67F-82151-10	.FUSE (30A) .FUSIBLE (30A)	2	2	2	
4	67F-8215B-10	.CAP (YELLOW) .BOUCHON (YELLOW)	2	2	2	
5	67F-8215B-20	.CAP (GREEN) .BOUCHON (GREEN)	1	1	1	
6	6P2-82582-00	.CAP 1 (FEMALE) .BOUCHON 1 (FEMME)	1			FOR 6BG-82590-04 FOR 6BG-82590-04
7	6P2-82582-10	.CAP 1 (MALE) .BOUCHON 1 (MALE)	1			FOR 6BG-82590-04 FOR 6BG-82590-04
8	90464-11008	CLAMP BRIDE	1	1	1	
9	60V-8259F-00	SWITCH ASSY COMMUTATEUR	1	1	1	
10	6CJ-82554-00	STAY, NEUTRAL SWITCH SUPPORT, CONT DE POINT-MORT	1	1	1	
11	61A-82588-01	PLATE PLAQUE	1	1	1	
12	90387-04001	COLLAR COLLERETTE	1	1	1	
13	97985-04116	SCREW, WITH WASHER VIS, AVEC RONDELLE	2	2	2	
14	69J-82563-01	TRIM & TILT SWITCH ASSY INCLINER ET PARER COMMUTATEUR	1			
	69J-42723-01	COVER, BOTTOM COUVERCLE		1	1	
15	6BG-83614-00	BRACKET SUPPORT	1	1	1	
16	90109-06M86	BOLT BOULON	2	2	2	
17	69J-82587-00	GASKET JOINT	1	1	1	
18	6BG-42811-01	STAY SUPPORT	1	1	1	
19	90464-18205	CLAMP BRIDE	1	1	1	
20	90109-06M86	BOLT BOULON	1	1	1	
21	6BG-42743-00	BRACKET SUPPORT	1	1	1	
22	90109-06M86	BOLT BOULON	1	1	1	
23	90464-20181	CLAMP BRIDE	1	1	1	
24	63P-42756-00	STAY, CLAMP SUPPORT, COLLIER	1	1	1	
25	90464-20181	CLAMP BRIDE	1	1	1	



6BG6300-M180

FIG. 18 ELECTRICAL 5

PARTIE ELECTRIQUE 5

REF. NO.	PART NO. N° PIECES	DESCRIPTION DESCRIPTION	ET	ED	EHD	REMARKS REMARQUES
26	90109-06M86	BOLT BOULON	1	1	1	
27	90465-13M97	CLAMP BRIDE	1	1	1	

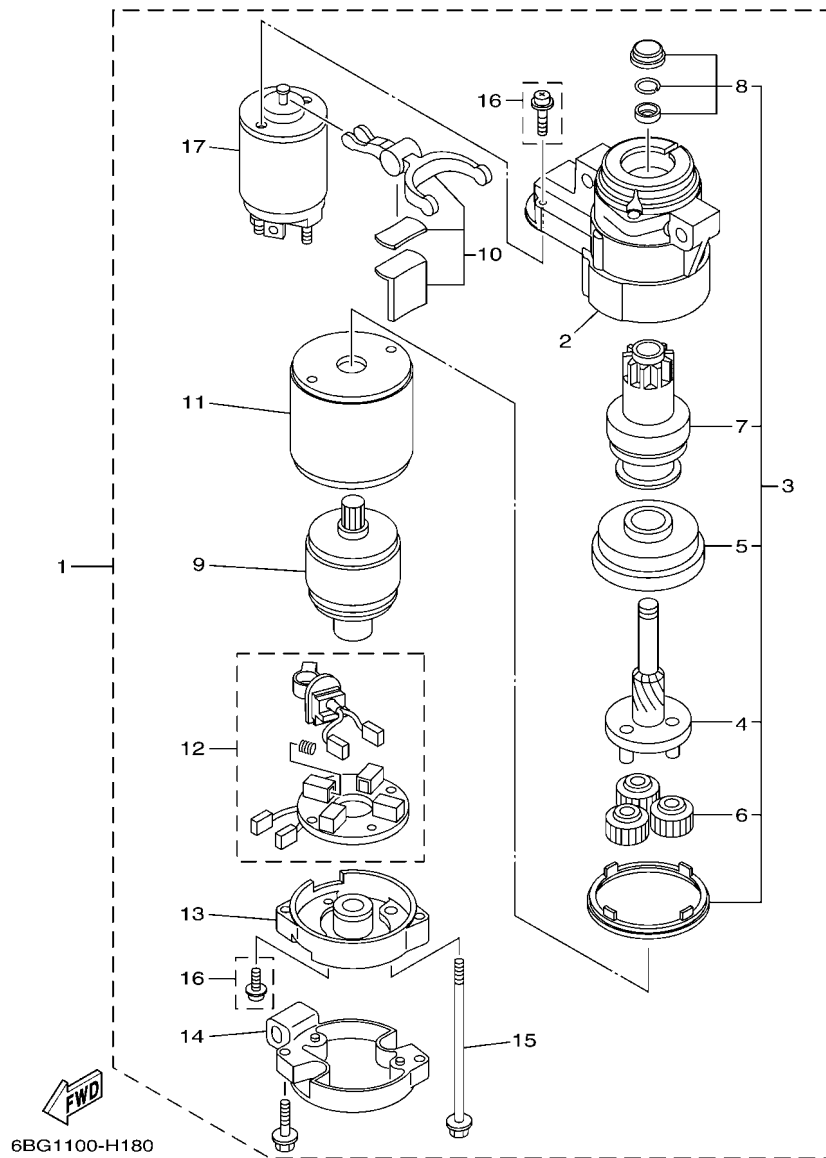


FIG. 19 STARTING MOTOR

DEMARREUR ELECTRIQUE

REF. NO.	PART NO. N° PIECES	DESCRIPTION DESCRIPTION	ET	ED	EHD	REMARKS REMARQUES
1	6BG-81800-00	STARTING MOTOR ASSY DEMARREUR ELECTRIQUE COMPLET	1	1	1	
2	6BG-81830-00	.FRONT BRACKET ASSY .SUPPORT AVANT	1	1	1	
3	6BG-81807-00	.GEAR ASSY, STARTING MOTOR .PIGNON, DEMARREUR ELECTRIQUE	1	1	1	
4	6BG-81836-00	.SPRING, LEVER .RESSORT, LEVIER	1	1	1	
5	6BG-81891-00	.GEAR, RING .ROUE DENTEE	1	1	1	
6	6AW-8183T-00	.GEAR, IDLER .PIGNON, INTERMEDIAIRE	3	3	3	
7	6BG-81832-00	.CLUTCH, OVER RUN .EMBAYAGE, ROUE LIBRE	1	1	1	
8	6BG-81857-00	.PINION STOPPER SET .BUTEE PIGNON	1	1	1	
9	6BG-81850-00	.ARMATURE ASSY .INDUIT	1	1	1	
10	6BG-81839-00	.LEVER ASSY .LEVIER COMPLET	1	1	1	
11	6BG-81810-00	.STATOR ASSY .STATOR COMPLET	1	1	1	
12	6BG-81840-00	.BRUSH HOLDER ASSY .SUPPORT DE CHARBON	1	1	1	
13	6BG-81820-00	.REAR BRACKET ASSY .SUPPORT ARRIERE COMPLET	1	1	1	
14	6BG-8182J-00	.BRACKET COMPLETE .SUPPORTE COMPLETE	1	1	1	
15	6BG-81826-00	.BOLT .BOULON	2	2	2	
16	6BG-81846-00	.SCREW SET .VIS	1	1	1	
17	6BG-81941-00	.STARTER RELAY ASSY .LANCEUR RELAIS (ENS.)	1	1	1	

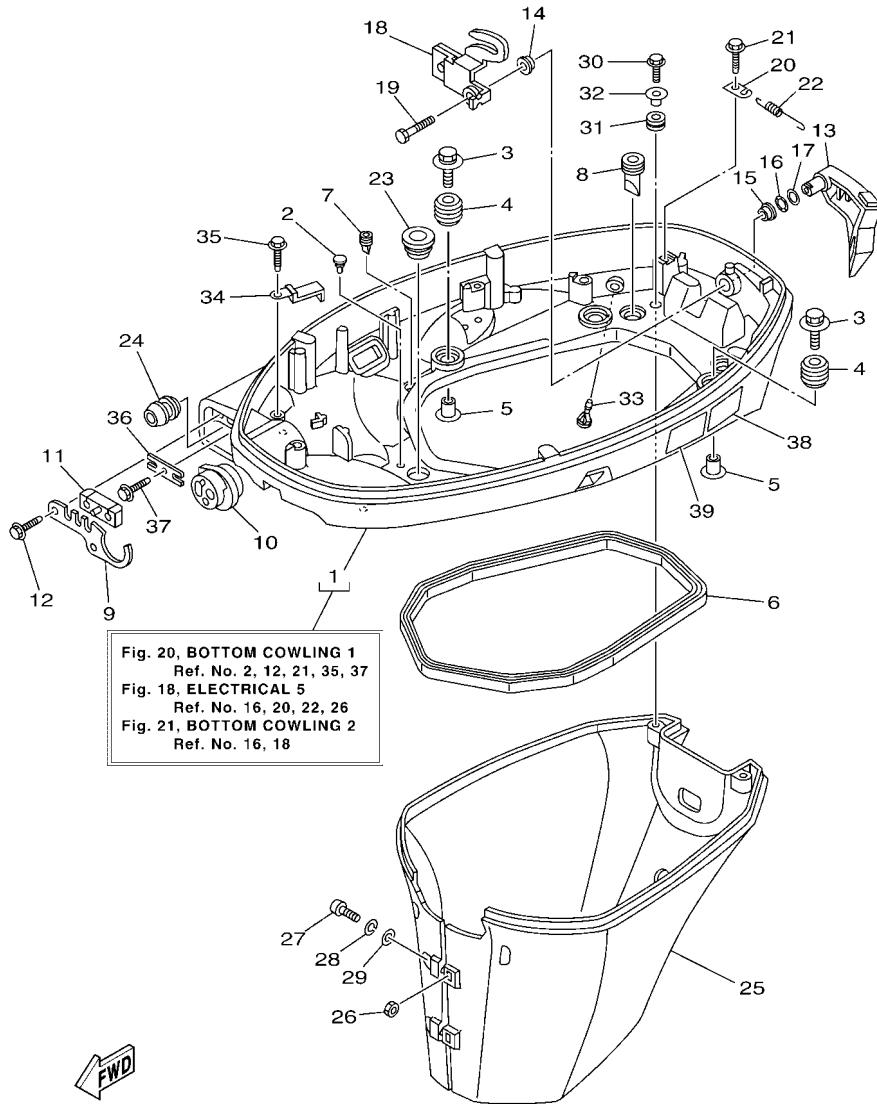


Fig. 20, BOTTOM COWLING 1
 Ref. No. 2, 12, 21, 35, 37
 Fig. 18, ELECTRICAL 5
 Ref. No. 16, 20, 22, 26
 Fig. 21, BOTTOM COWLING 2
 Ref. No. 16, 18

FWD
 6BG6300-M200

FIG. 20 BOTTOM COWLING 1

CAPOT INFERIEUR 1

REF. NO.	PART NO. N° PIECES	DESCRIPTION DESCRIPTION	U1	U2	EHD	REMARKS REMARQUES
1	6BG-42710-01-8D	BOTTOM COWLING ASSY ENS. EMBASE	1	1	1	
2	6H4-42748-00	GROMMET PASSE-FIL	3	3	3	
3	90119-06M61	BOLT, WITH WASHER BOULON, AVEC RONDELLE	4	4	4	
4	6BG-42748-00	GROMMET PASSE-FIL	4	4	4	
5	90387-06M69	COLLAR COLLERETTE	4	4	4	
6	62Y-42716-00	RUBBER, SEAL 1 JOINT EN CAOUTCHOUC 1	1	1	1	
7	65W-42717-00	RUBBER, SEAL 2 JOINT EN CAOUTCHOUC 2	2	2	2	
8	61A-42717-00	RUBBER, SEAL 2 JOINT EN CAOUTCHOUC 2	2	2	2	
9	6BG-42761-00	STOPPER PLAQUETTE	1	1	1	
10	6BG-42725-00	GROMMET PASSE-FIL	1	1	1	
11	6BG-42727-00	GROMMET PASSE-FIL	1	1	1	
12	90109-06M86	BOLT BOULON	2	2	2	
13	6BG-42815-00-8D	LEVER, CLAMP LEVIER, PRESSE	1	1	1	
14	90386-12M37	BUSH DOUILLE	1	1	1	
15	90386-12MA2	BUSH DOUILLE	1	1	1	
16	90206-12052	WASHER, WAVE RONDELLE, ONDULEE	1	1	1	
17	90201-12M07	WASHER, PLATE RONDELLE, PLATE	1	1	1	
18	6BG-42816-00	LEVER, CLAMP LEVIER, PRESSE	1	1	1	
19	97095-06014	BOLT BOULON	1	1	1	
20	66T-43144-00	HOOK, SPRING CROCHET	1	1	1	
21	90109-06M86	BOLT BOULON	1	1	1	
22	90506-18M40	SPRING, TENSION RESSORT, TENSION	1	1	1	
23	68U-42727-00	GROMMET PASSE-FIL	1	1	1	
24	6BG-24329-00	SEAL JOINT	1	1	1	
25	6BG-42741-00-8D	APRON CAPOT LATERAL	1	1	1	S(16.3") S(16.3")
	6BG-42741-10-8D	APRON CAPOT LATERAL	1	1	1	L(21.1") L(21.1")
26	95380-06600	NUT, HEXAGON ECROU	2	2	2	

FIG. 20 BOTTOM COWLING 1

CAPOT INFERIEUR 1

REF. NO.	PART NO. N° PIECES	DESCRIPTION DESCRIPTION	ET	ED	EHD	REMARKS REMARQUES
27	97880-06025	SCREW, PAN HEAD VIS, TETE TRONCONIQUE	2	2	2	
28	92990-06100	WASHER, SPRING RONDELLE, GROWER	2	2	2	
29	92990-06600	WASHER, PLATE RONDELLE, PLATE	2	2	2	
30	90109-06M80	BOLT BOULON	2	2	2	
31	90480-13M24	GROMMET PASSE-FIL	2	2	2	
32	90387-06M43	COLLAR COLLERETTE	2	2	2	
33	6BL-44391-00	NIPPLE, HOSE RACCORD D'ESSENCE	1	1	1	Go to P/N : PE0-OM-160024
34	90462-20005	CLAMP BRIDE	1	1	1	
35	90109-06M86	BOLT BOULON	1	1	1	
36	6BG-48538-00	CLAMP, CABLE 1 COLLIER	1	1	1	
37	90109-06M86	BOLT BOULON	1	1	1	
38	6EE-42794-40	LABEL, WARNING (GENERAL) ETIQUETTE, AVERTISSEMENT	1	1	1	
39	6EE-42794-50	LABEL, WARNING (GENERAL) ETIQUETTE, AVERTISSEMENT	1	1	1	

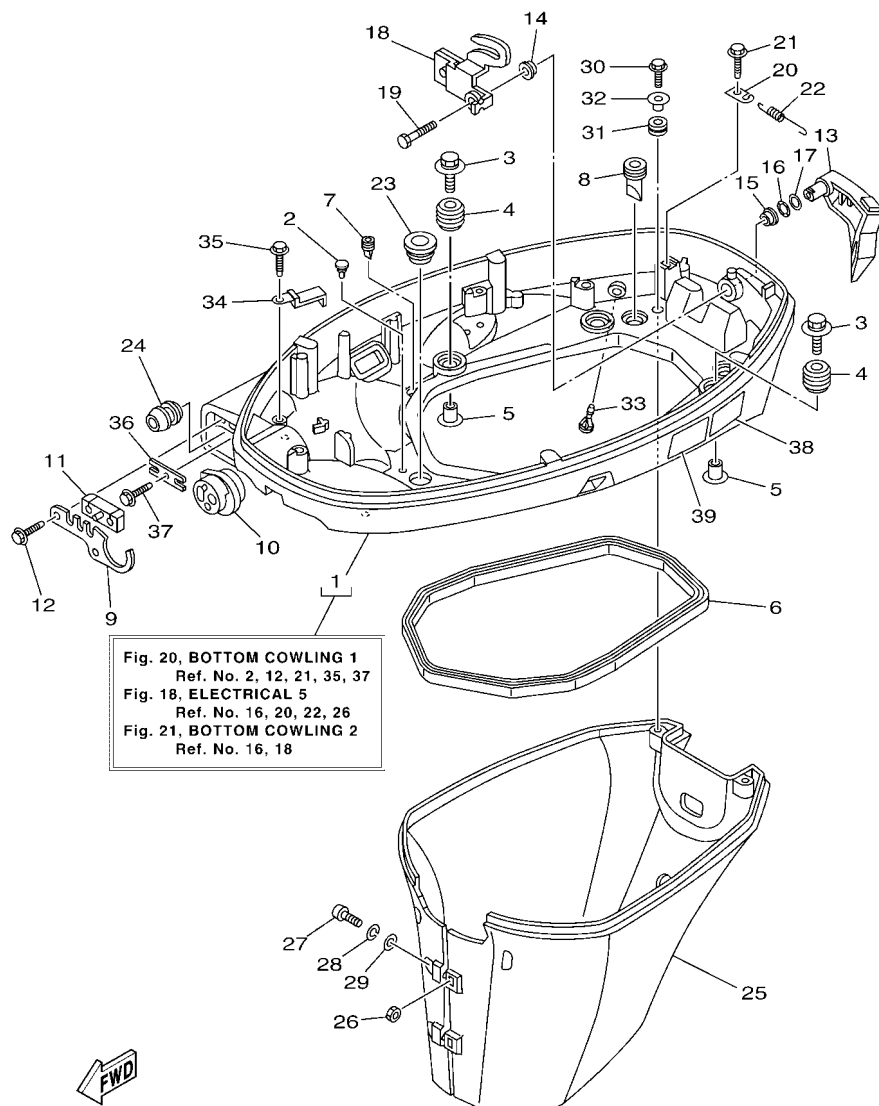
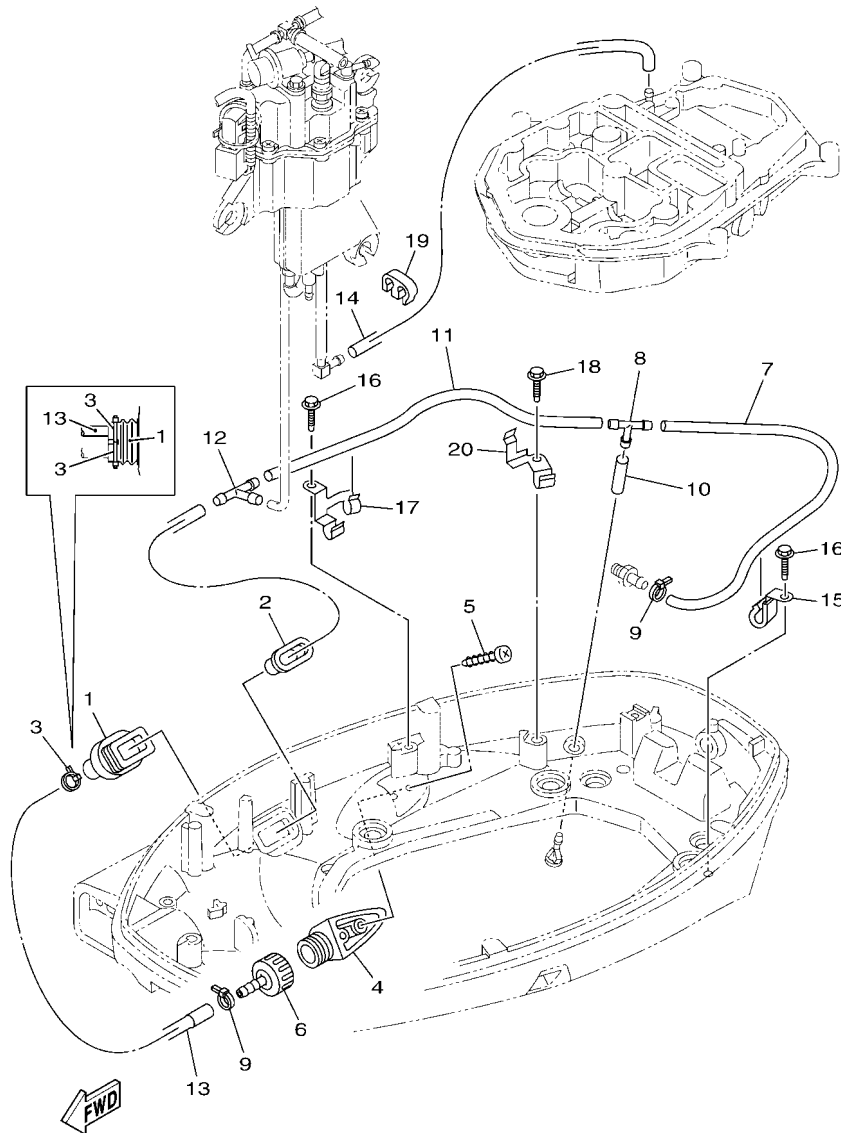


Fig. 20, BOTTOM COWLING 1
Ref. No. 2, 12, 21, 35, 37
Fig. 18, ELECTRICAL 5
Ref. No. 16, 20, 22, 26
Fig. 21, BOTTOM COWLING 2
Ref. No. 16, 18

FWD
6BG6300-M200

FIG. 21 BOTTOM COWLING 2

CAPOT INFERIEUR 2



6BT8110-P210

REF. NO.	PART NO. N° PIECES	DESCRIPTION DESCRIPTION	ET	ED	EHD	REMARKS REMARQUES
1	6H1-42726-21	GROMMET PASSE-FIL	1	1	1	
2	6BG-42384-00	SEAL, CAP JOINT, CAPUCHON	1	1	1	
3	90465-11M10	CLAMP BRIDE	2	2	2	
4	6AW-12572-00	ADAPTER ADAPTATEUR	1	1	1	
5	97780-60520	SCREW, TAPPING VIS, TETE BOMBEE	2	2	2	
6	6R3-12580-00	JOINT ASSY ARTICULER (ENS.)	1	1	1	
7	90445-09035	HOSE (L380) DURITE (L380)	1	1	1	Go to P/N : PE0-OM-160024
8	688-24378-00	PIPE, JOINT 3 DURITE RACCORDEMENT 3	1	1	1	Go to P/N : PE0-OM-160024
9	90465-11M10	CLAMP BRIDE	2	2	2	Go to P/N : PE0-OM-160024
10	90445-09220	HOSE (L30) DURITE (L30)	1	1	1	Go to P/N : PE0-OM-160024
11	90445-09224	HOSE (L270) DURITE (L270)	1	1	1	Go to P/N : PE0-OM-160024
12	688-24378-00	PIPE, JOINT 3 DURITE RACCORDEMENT 3	1	1	1	
13	6BG-12481-00	PIPE 1 DURITE 1	1	1	1	
14	6A1-24311-00	PIPE, FUEL 1 DURITE A ESSENCE	1	1	1	Go to P/N : PE0-OM-160024
15	90462-08067	CLAMP BRIDE	1	1	1	
16	90109-06M86	BOLT BOULON	2	2	2	
17	6BG-24135-01	CLAMP 1 COLLIER 1	1	1	1	
18	90109-06M86	BOLT BOULON	1	1	1	
19	90464-09M21	CLAMP BRIDE	1	1	1	Go to P/N : PE0-OM-160024
20	6BG-24136-01	CLAMP 2 COLLIER 2	1	1	1	

PARTS NEWS

News No.PE0-OM-160024(1/:

Date:2017/1/13

Signature:K. Tanaka

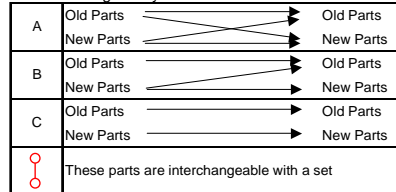
Cause : Revision Notice Correction Sales Unit Change Others

Model	F40A, F40F (6BG9) / F30A, F30B (6BT9)
Subject	PARTS CATALOGUE CORRECTIONS
CATALOGUE NO.	1Q6BG-100EA / 1Q6BG-110EA / 1Q6BG-200SA 1Q6BT-100EA / 1Q6BT-110EA / 1Q6BT-300FA / 1Q6BT-370EA
Time of YPEC Revision	Text, Illustration --> Oct./25/2016 PDF Replace --> Oct./25/2016 (YPEC = Yamaha Parts Electrical Catalogue = Website parts catalogue)

Applicable Engine Serial No.

MODEL NAME	MODEL CODE	Applicable Engine Serial No.
F40A, F40F	6BG9	6BG:1059193-
F30A, F30B	6BT9	6BT:1014299-

*1: Interchangeability



1. LIST CORRECTION

FIG.20 BOTTOM COWLING 1

Fig. No.	Ref. No.	OLD P/No.	NEW P/No.	DESCRIPTION	Q'TY	*Interchangeability	
						REMARKS	
20	33	6BL-44391-00	6BG-44391-00	NIPPLE, HOSE	1	○	*Part number revision

FIG.21 BOTTOM COWLING 2

21	7	90445-09035	6BG-42541-00	HOSE(L380) --> PIPE 1	1	○	*Part number revision
	8	688-24378-00	-	PIPE, JOINT 3	1	○	
	9	90465-11M10	-	CLAMP	2-->5	○	*Q'TY change
	10	90445-09220	6BG-42542-00	HOSE(L30) --> PIPE	1	○	
	11	90445-09224	6BG-24314-00	HOSE(L270) --> PIPE 4	1	○	*Part number revision
	14	6A1-24311-00	90445-09091	PIPE, FUEL 1 --> HOSE(L135)	1	○	
	19	90464-09M21	-	CLAMP	1-->2	○	*Q'TY change
	21	-	90467-08M18	CLIP	2	○	*Added part

Parts
Manage

Service
Manage

Parts
Manage

YAMAHA MOTOR CO.,LTD
2500 Shingai Iwata Shizuoka 438-8501.Japan
Parts & Acc. Engineering Div., YMC

PARTS NEWS

News No. PE0-OM-160024(2/)

Date: 2017/1/13

Signature: K. Tanaka

Cause : Revision Notice Correction Sales Unit Change Others

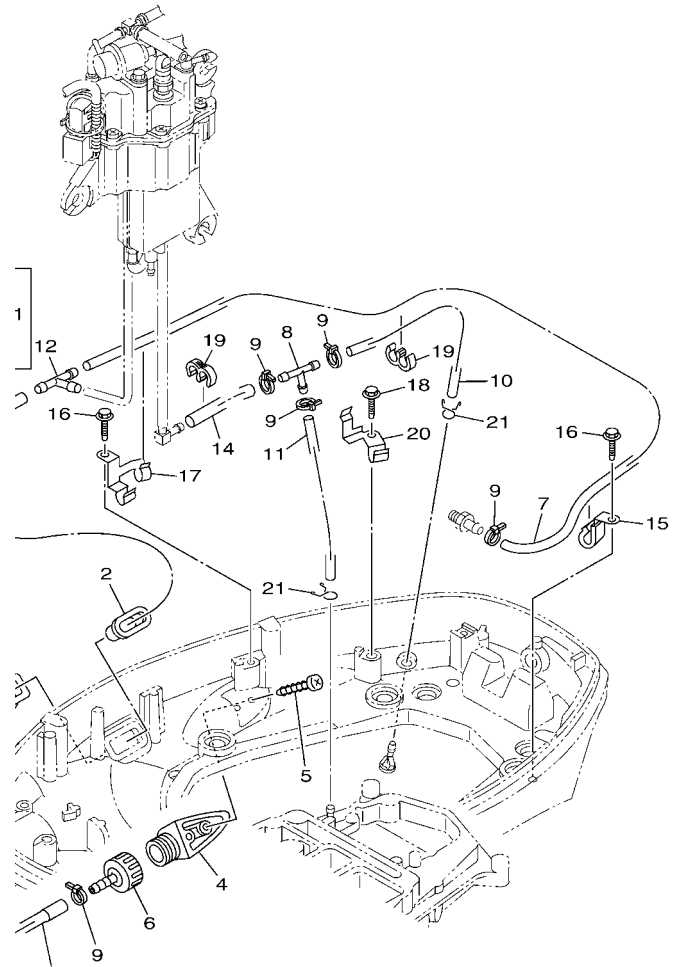
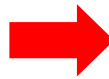
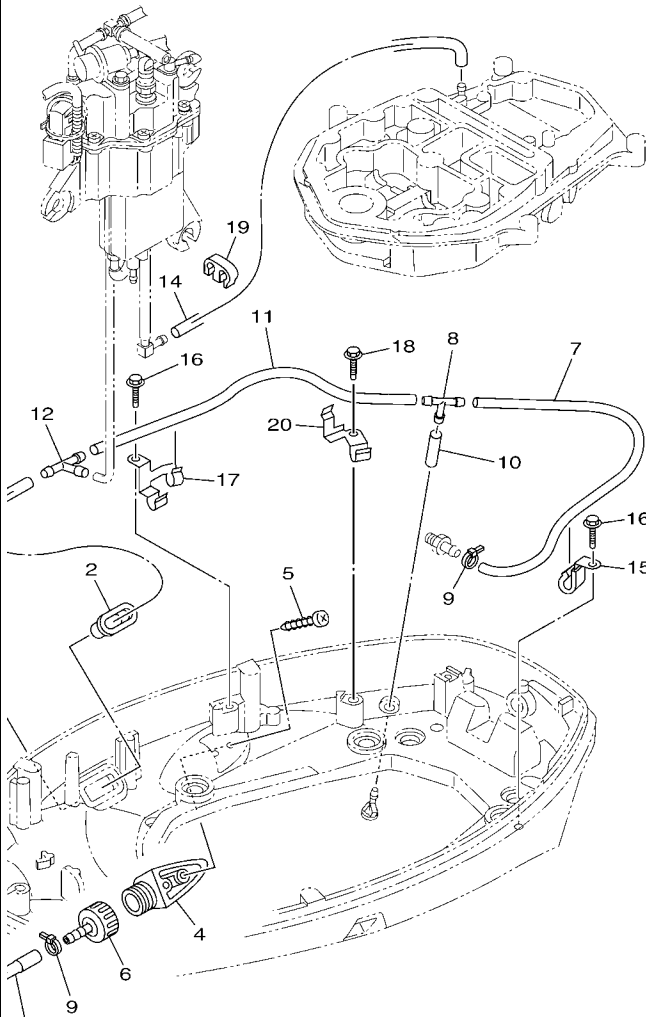
Model	F40A, F40F (6BG9) / F30A, F30B (6BT9)
Subject	PARTS CATALOGUE CORRECTIONS
CATALOGUE NO.	1Q6BG-100EA / 1Q6BG-110EA / 1Q6BG-200SA 1Q6BT-100EA / 1Q6BT-110EA / 1Q6BT-300FA / 1Q6BT-370EA
Time of YPEC Revision	Text, Illustration --> Oct./25/2016
	PDF Replace --> Oct./25/2016
(YPEC = Yamaha Parts Electrical Catalogue = Website parts catalogue)	

2. ILLUSTRATION CORRECTION

FIG.21 BOTTOM COWLING 2

(OLD)

(NEW)



Thank you very much for your cooperation.

Parts
Manage

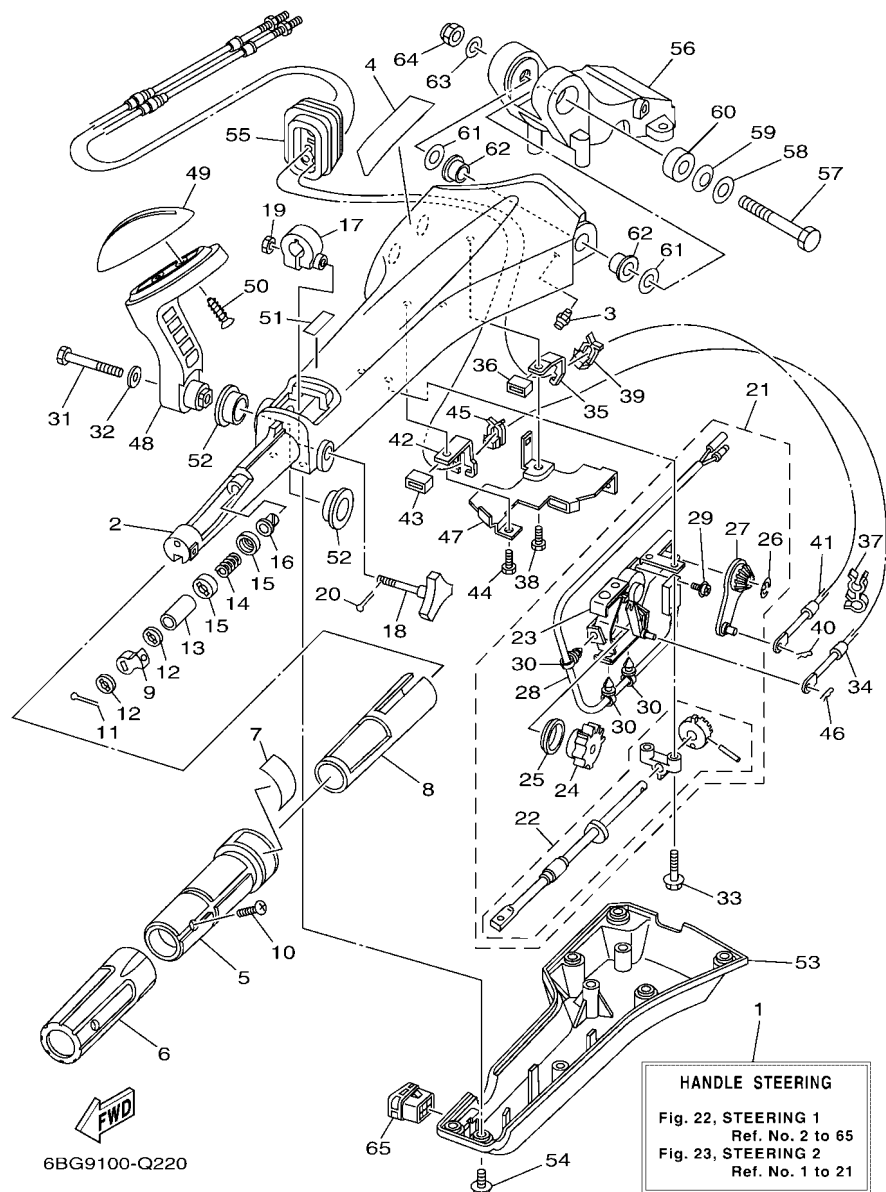
Service
Manage

Parts
Manage

YAMAHA MOTOR CO.,LTD
2500 Shingai Iwata Shizuoka 438-8501.Japan
Parts & Acc. Engineering Div., YMC

FIG. 22 STEERING 1

DIRECTION 1



REF. NO.	PART NO. N° PIECES	DESCRIPTION DESCRIPTION	ET	ED	EHD	REMARKS REMARQUES
1	6X4-42101-K6	HANDLE, STEERING POIGNEE			1	
2	6X4-42111-02-8D	HANDLE, STEERING POIGNEE			1	
3	93700-06M03	NIPPLE, GREASE PION			1	
4	6X4-48215-00	GRAPHIC ADHESIF			1	
5	6X4-42119-01	GRIP, STEERING HANDLE POIGNEE, BARRE FRANCHE			1	
6	6X4-42177-00	RUBBER, HANDLE CAOUTCHOUC, POIGNEE			1	
7	6X4-42137-00	INDICATOR, THROTTLE INDICATEUR, ACCELERATION			1	
8	6X4-41291-00	BUSHING COUSSINET			1	
9	6X4-44139-01	COLLAR COLLIER			1	
10	90152-05007	SCREW, COUNTERSUNK VIS, TETE NOYEE			1	
11	91490-20010	PIN, COTTER GOUPILLE			1	
12	6X4-44177-00	WASHER RONDELLE			2	
13	6X4-42128-00	COLLAR, DISTANCE 1 COLLIER, D'ENTRETOISE 1			1	
14	90501-23215	SPRING, COMPRESSION RESSORT, COMPRESSION			1	
15	6X4-44188-00	WASHER RONDELLE			2	
16	90386-08032	BUSH DOUILLE			1	
17	63D-42126-00	FRICTION, STEERING HANDLE GRIP CUVETTE, POIGNEE DE DIRECTION			1	
18	6X4-48154-00	KNOB, THROTTLE BOUTON, ACCELERATEUR			1	
19	95380-06600	NUT, HEXAGON ECROU			1	
20	91490-20010	PIN, COTTER GOUPILLE			1	
21	6X4-44100-01	SHIFT LINK ASSY MAILLON DE SELECTEUR			1	
22	6X4-42115-00	.SHAFT, STEERING HANDLE .AXE, BARRE FRANCHE			1	
23	6X4-44102-00	.SHIFT ASSIST ASSY. .SELECTEUR DE MAINTIEN			1	
24	6X4-47731-01	.GEAR, DRIVE .PIGNON D'ENTRAINEMENT			1	
25	6X4-44132-00	.BUSHING .COUSSINET			1	
26	6X4-14137-00	.CLIP .JONC			1	
27	6X4-48261-00	.ARM, THROTTLE .BRAS, ACCELERATION			1	

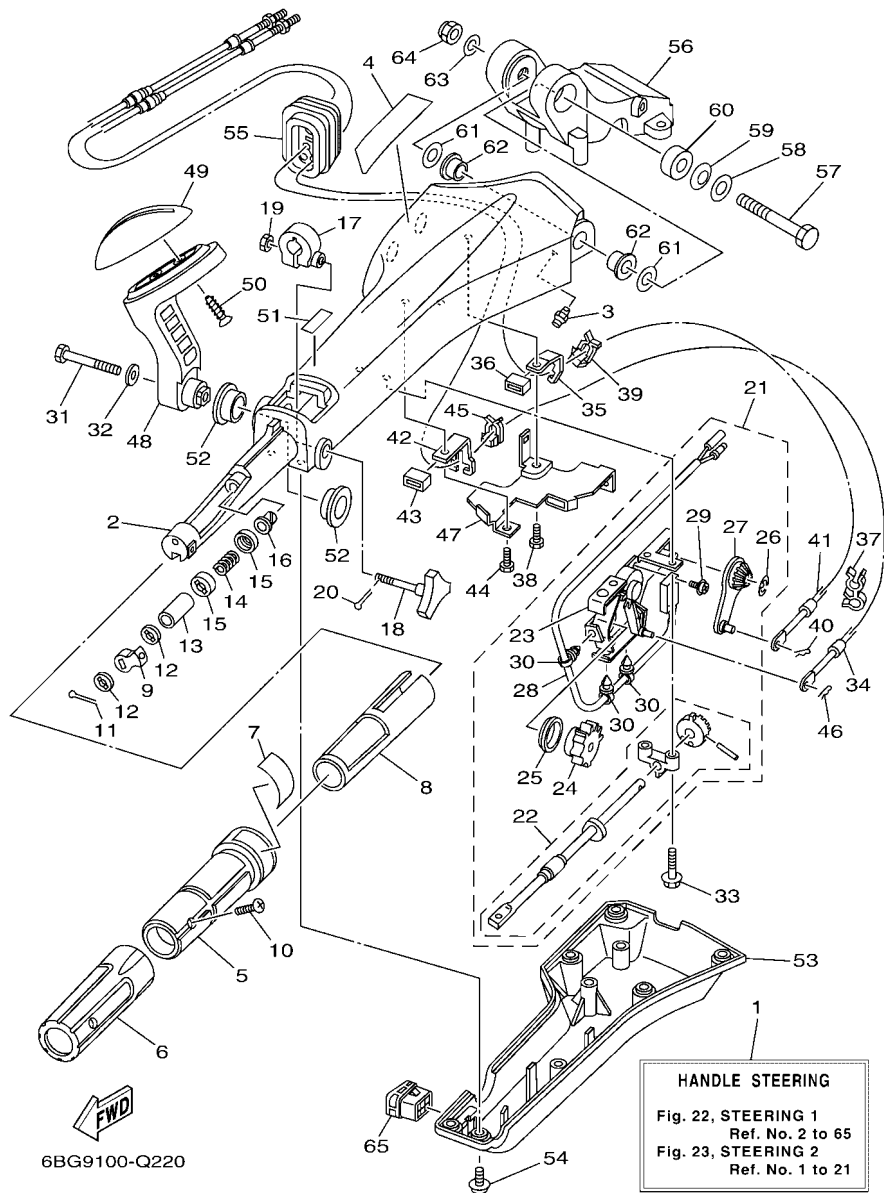


FIG. 22 STEERING 1

DIRECTION 1

REF. NO.	PART NO. N° PIECES	DESCRIPTION DESCRIPTION	ET	ED	EHD	REMARKS REMARQUES
28	6X4-82540-00	.NEUTRAL SWITCH ASSY .CONTACTEUR DE POINT-MORT			1	
29	703-48129-00	.SCREW 3 .VIS 3			2	
30	6X4-42821-00	.BAND, CLAMP .BRIDE, COLLIER			3	
31	97095-08040	BOLT BOULON			1	
32	92995-08600	WASHER RONDELLE			1	
33	97595-06530	BOLT, WITH WASHER VIS HEXAGONAL AVC RONDELLE			2	
34	67C-48321-11	CABLE CABLE			1	
35	6X4-48538-00	CLAMP, CABLE 1 COLLIER			1	
36	6X4-26367-00	PROTECTOR PROTECTEUR			1	
37	90464-09M42	CLAMP BRIDE			1	
38	97095-06014	BOLT BOULON			1	
39	63D-48538-00	CLAMP, CABLE 1 COLLIER			1	
40	90468-10005	CLIP JONC			1	
41	69W-26301-00	THROTTLE CABLE ASSY CABLE D'ACCELERATEUR			1	
42	6X4-48538-10	CLAMP, CABLE 1 COLLIER			1	
43	6X4-26367-00	PROTECTOR PROTECTEUR			1	
44	97095-06014	BOLT BOULON			1	
45	63D-48538-00	CLAMP, CABLE 1 COLLIER			1	
46	90468-10005	CLIP JONC			1	
47	6X4-42159-00	STAY SUPPORT			1	
48	6X4-44159-00-8D	HANDLE, GEAR SHIFT POIGNEE, LEVIER D'EMBRAYAGE			1	
49	6X4-44173-00	LEVER, SHIFT CONTROL POIGNEE, INVERSION			1	
50	97780-60920	SCREW, TAPPING VIS, TETE BOMBEE			2	
51	6X3-44191-00	INDICATOR, SHIFT ETIQUETTE, EMBRAYAGE			1	
52	90386-26MA3	BUSH DOUILLE			2	
53	6X4-42131-11	COVER, HANDLE STEERING COUVERCLE			1	
54	97985-06216	SCREW, WITH WASHER VIS, AVEC RONDELLE			6	

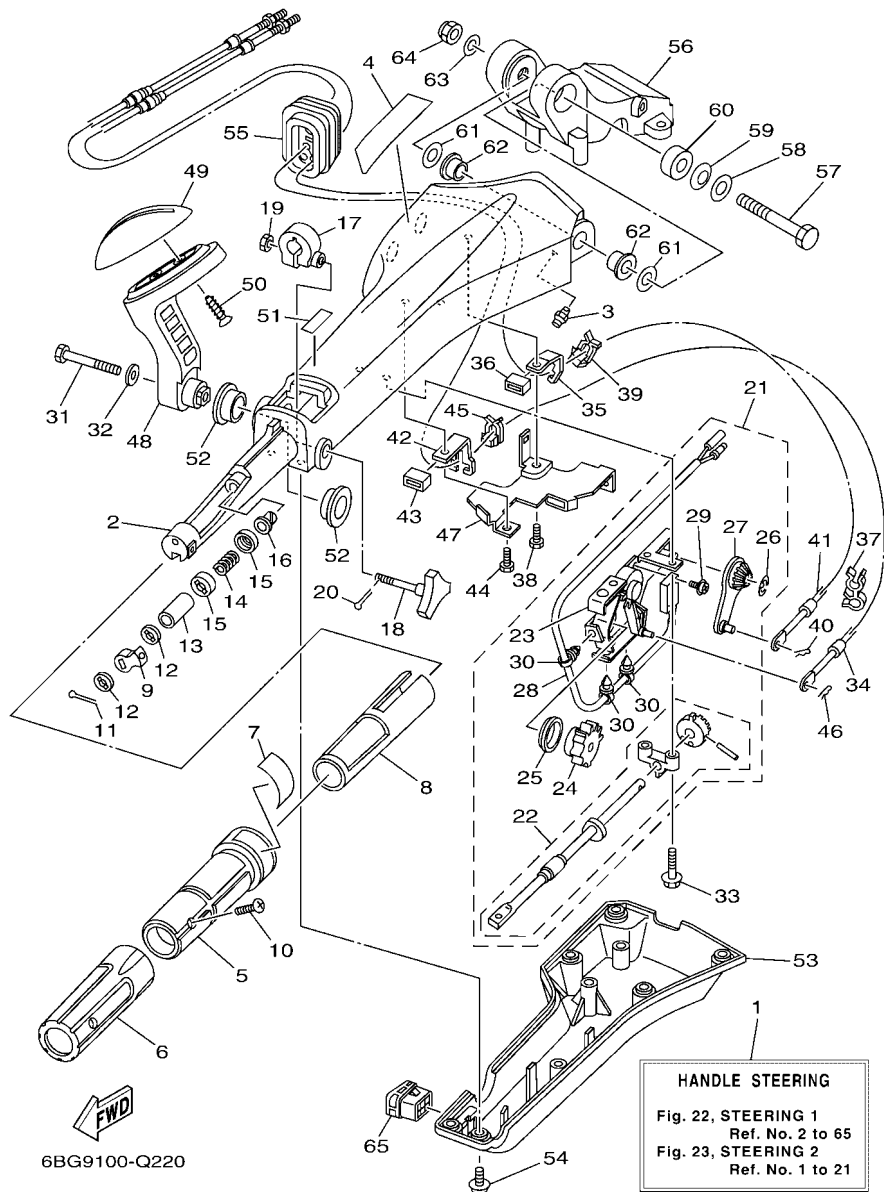


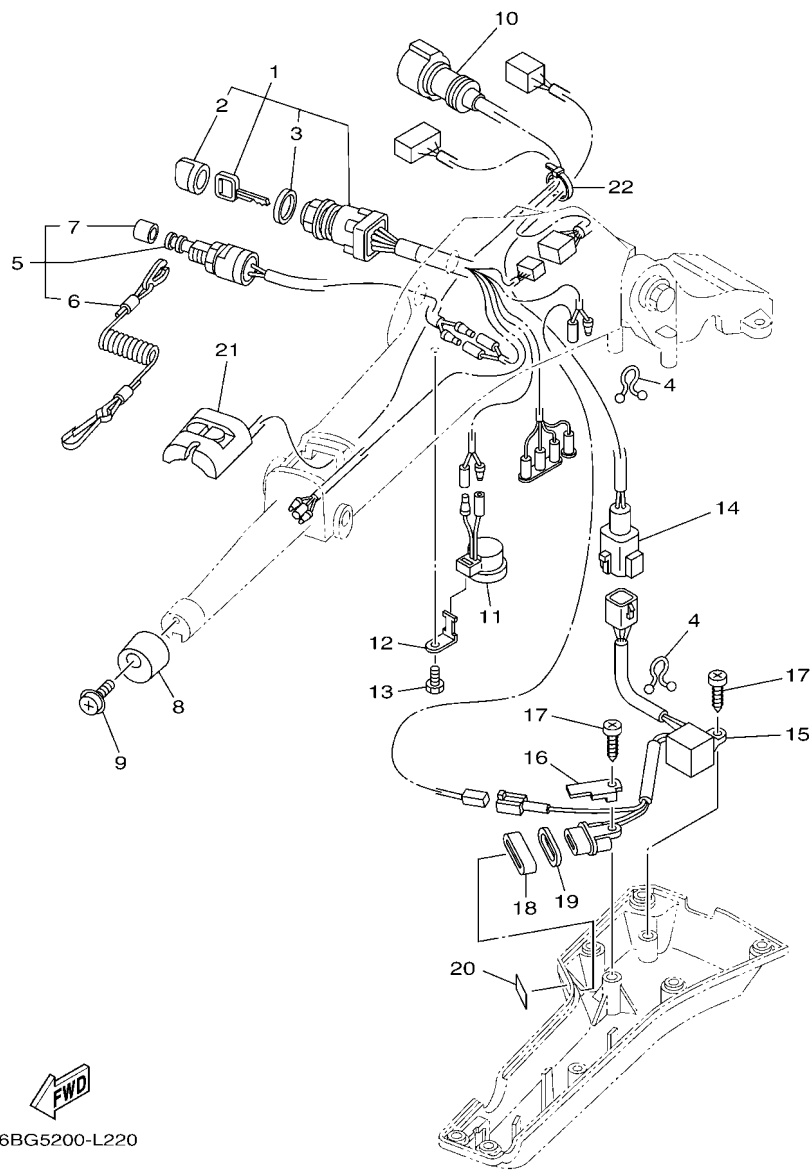
FIG. 22 STEERING 1

DIRECTION 1

REF. NO.	PART NO. N° PIECES	DESCRIPTION DESCRIPTION	ET	ED	EHD	REMARKS REMARQUES
55	6X4-42725-01	GROMMET PASSE-FIL			1	
56	63D-42121-22-8D	BRACKET SUPPORT			1	
57	90101-12014	BOLT BOULON			1	
58	92990-12200	WASHER, PLAIN RONDELLE, PLATE			1	
59	90206-12M22	WASHER, WAVE RONDELLE, ONDULEE			1	
60	90387-12M02	COLLAR COLLERETTE			1	
61	90201-12035	WASHER, PLATE RONDELLE, PLATE			2	
62	90386-12003	BUSH DOUILLE			2	
63	92990-12600	WASHER, PLATE RONDELLE, PLATE			1	
64	90185-12M12	NUT, SELF-LOCKING ECROU, AUTO-BLOQUANT			1	
65	6X4-42728-10	CAP CAPUCHON			1	

FIG. 23 STEERING 2

DIRECTION 2

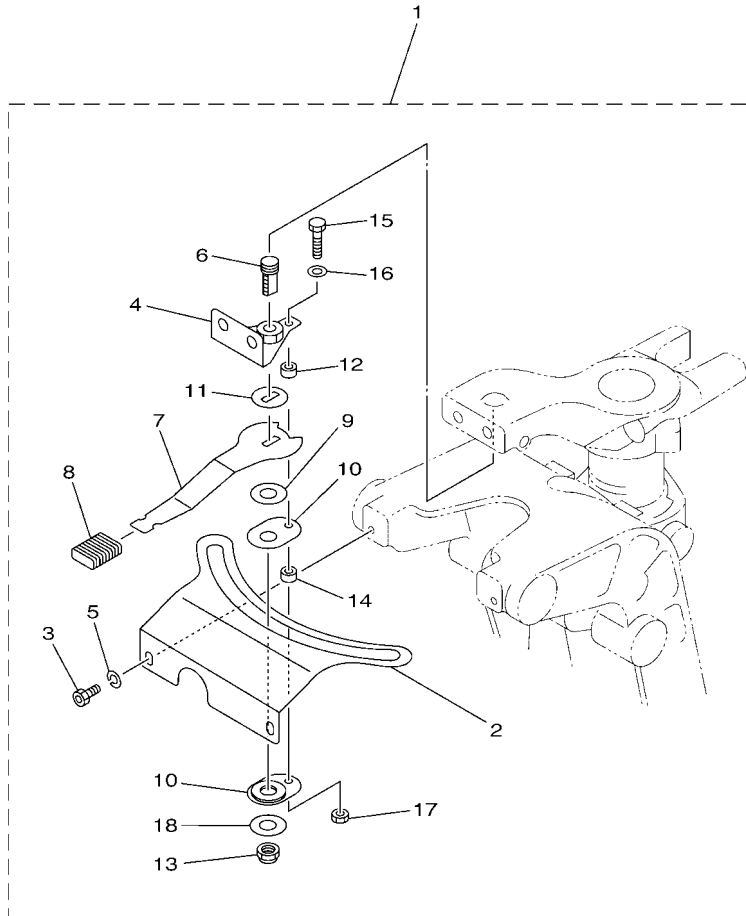


6BG5200-L220

REF. NO.	PART NO. N° PIECES	DESCRIPTION DESCRIPTION	ET	ED	EHD	REMARKS REMARQUES
1	6X4-82510-41	MAIN SWITCH ASSY CONTACTEUR A CLEF COMPLET			1	
2	676-82577-01	.CAP, KEY .CABOCHON			1	
3	703-82532-00	.CAP .COUVERCLE			1	
4	90464-08M07	CLAMP BRIDE			2	
5	69W-82575-00	ENGINE STOP SWITCH ASSY COUPE CIRCUIT CPLT			1	
6	682-82556-00	.LANYARD, STOP SWITCH .CORDON DU COUPE CIRCUIT			1	
7	689-8257Y-00	.CAP .COUVERCLE			1	
8	6X4-42728-00	CAP CAPUCHON			1	
9	97980-06216	SCREW, WITH WASHER VIS, AVEC RONDELLE			1	
10	6X4-82586-10	EXT., WIRE HARNESS (L:950MM) EXT., FAISCEAU DE FILS (L:950MM)			1	
11	6X4-83383-00	BUZZER RONFLEUR			1	
12	6X4-83386-00	STAY, BUZZER SUPPOR, RONFLEUR			1	
13	97095-06014	BOLT BOULON			1	
14	6X4-83653-20	WIRE, LEAD (L:700MM) FIL (L:700MM)			1	
15	6C5-84301-00	PILOT LIGHT ASSY 1 LAMPE-TEMOIN 1			1	
16	6X4-44114-00	STOPPER PLAQUETTE			1	
17	97780-60620	SCREW, TAPPING VIS, TETE BOMBEE			2	
18	6X4-42727-00	GROMMET PASSE-FIL			1	
19	6H4-83589-00	GASKET GARNITURE			1	
20	6X4-85415-00	MARK, SIGNAL LAMP ETIQUETTE			1	
21	6X4-81860-00	SWITCH ASSY COMMUTATEUR COMPLET			1	
22	90465-13M36	CLAMP BRIDE			1	

FIG. 24 STEERING FRICTION

CUVETTE POIGNEE DE DIRECTION

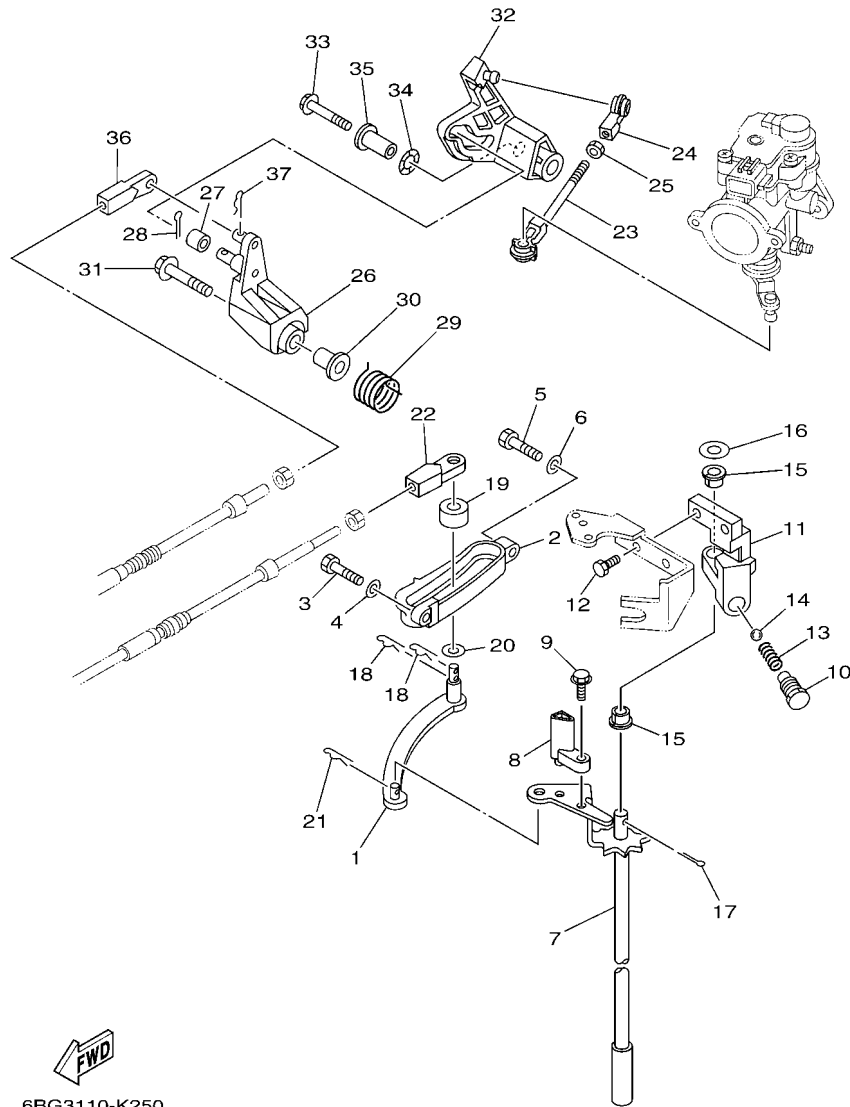


REF. NO.	PART NO. N° PIECES	DESCRIPTION DESCRIPTION	ET	ED	EHD	REMARKS REMARQUES
1	67C-42508-04	STEERING FRICTION ASSY DIRECTION FRICTION (ENS.)			1	
2	67C-42527-03	.PLATE, FRICTION .PLAQUE, FRICTION			1	
3	90109-06M88	.BOLT .BOULON			2	
4	67C-42525-00	.PLATE, FRICTION .PLAQUE, FRICTION			1	
5	92990-06100	.WASHER, SPRING .RONDELLE, GROWER			2	
6	67C-42562-00	.SHAFT, STEERING LOCK .ARBRE, ANTIVOL DE DIRECTION			1	
7	67C-42561-00	.KNOB, STEERING LOCK .BOUTON			1	
8	689-43633-00	.COVER, TILT LEVER .COUVERCLE			1	
9	90202-10M56	.WASHER, PLATE .RONDELLE, PLATE			1	
10	65W-42528-00	.PLATE, FRICTION .PLAQUE, FRICTION			2	
11	90209-10M26	.WASHER .RONDELLE			1	
12	90387-05053	.COLLAR .COLLERETTE			1	
13	90185-10M14	.NUT, SELF-LOCKING .ECROU, AUTO-BLOQUANT			1	
14	90387-05054	.COLLAR .COLLERETTE			1	
15	97095-05020	.BOLT .BOULON			1	
16	92995-05600	.WASHER .RONDELLE			1	
17	95380-05600	.NUT .ECROU			1	
18	90201-106M5	.WASHER, PLATE .RONDELLE, PLATE			1	

 6BG4110-L231

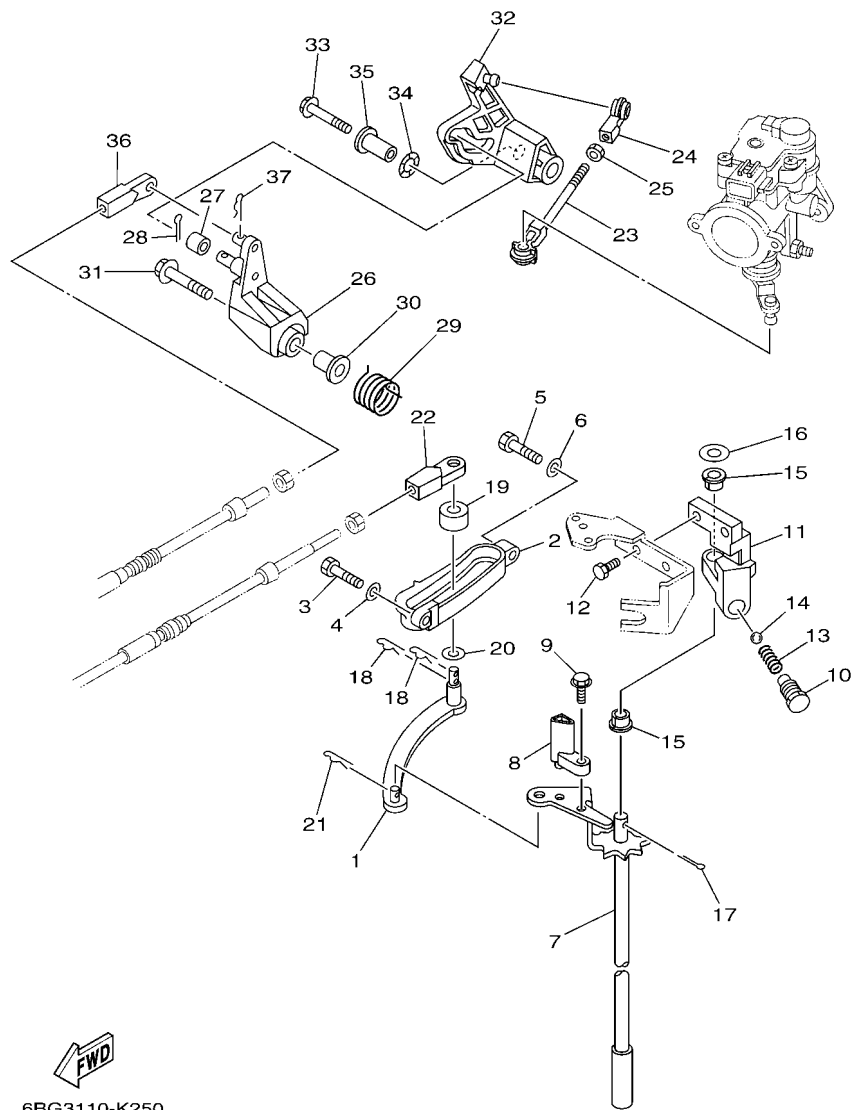
FIG. 25 CONTROL

COMMANDE



6BG3110-K250

REF. NO.	PART NO. N° PIECES	DESCRIPTION DESCRIPTION	E1	E2	EHD	REMARKS REMARQUES
1	69W-44121-00	LEVER, SHIFT ROD LEVIER, TIGE D'INVERSION	1	1	1	
2	62Y-44117-01	BRACKET SUPPORT	1	1	1	
3	97095-06020	BOLT BOULON	1	1	1	
4	92995-06600	WASHER RONDELLE	1	1	1	
5	97095-06025	BOLT BOULON	1	1	1	
6	92995-06600	WASHER RONDELLE	1	1	1	
7	6BG-44120-01	HANDLE GEAR SHIFT ASSY LEVIER D'EMBAYAGE	1		1	S(16.3") S(16.3")
	6C5-44120-02	HANDLE GEAR SHIFT ASSY LEVIER D'EMBAYAGE	1	1	1	L(21.1") L(21.1")
8	6C5-44122-00	BUSHING, SHIFT ROD LEVER DOUILLE, LEVIER D'EMBAYAGE	1	1	1	
9	97595-05514	BOLT, WITH WASHER VIS HEXAGONAL AVC RONDELLE	1	1	1	
10	62Y-42715-01	BUSHING COUSSINET	1	1	1	
11	62Y-44118-00-94	BRACKET SUPPORT	1	1	1	
12	90101-06054	BOLT BOULON	2	2	2	
13	90501-12082	SPRING, COMPRESSION RESSORT, COMPRESSION	1	1	1	
14	93501-04M02	BALL BILLE	1	1	1	
15	90386-90M90	BUSH DOUILLE	2	2	2	
16	90201-10M20	WASHER, PLATE RONDELLE, PLATE	1	1	1	
17	91490-20015	PIN, COTTER GOUPILLE	1	1	1	
18	90468-18008	CLIP JONC	2	2	2	
19	688-44122-00	BUSHING, SHIFT ROD LEVER DOUILLE, LEVIER D'EMBAYAGE	1	1	1	
20	90202-07M07	WASHER, PLATE RONDELLE, PLATE	1	1	1	
21	90468-18008	CLIP JONC	1	1	1	
22	69W-48344-00	CABLE END, REMOTE CONTROL CHAPE CABLE	1	1	1	
23	6J8-41237-00	JOINT, LINK RACCORD	1	1	1	
24	682-41237-00	JOINT, LINK RACCORD	1	1	1	
25	95380-05700	NUT ECROU	1	1	1	
26	62Y-42154-00	LEVER, THROTTLE CONTROL LEVIER DE COMMANDE D'AVANCE	1	1	1	

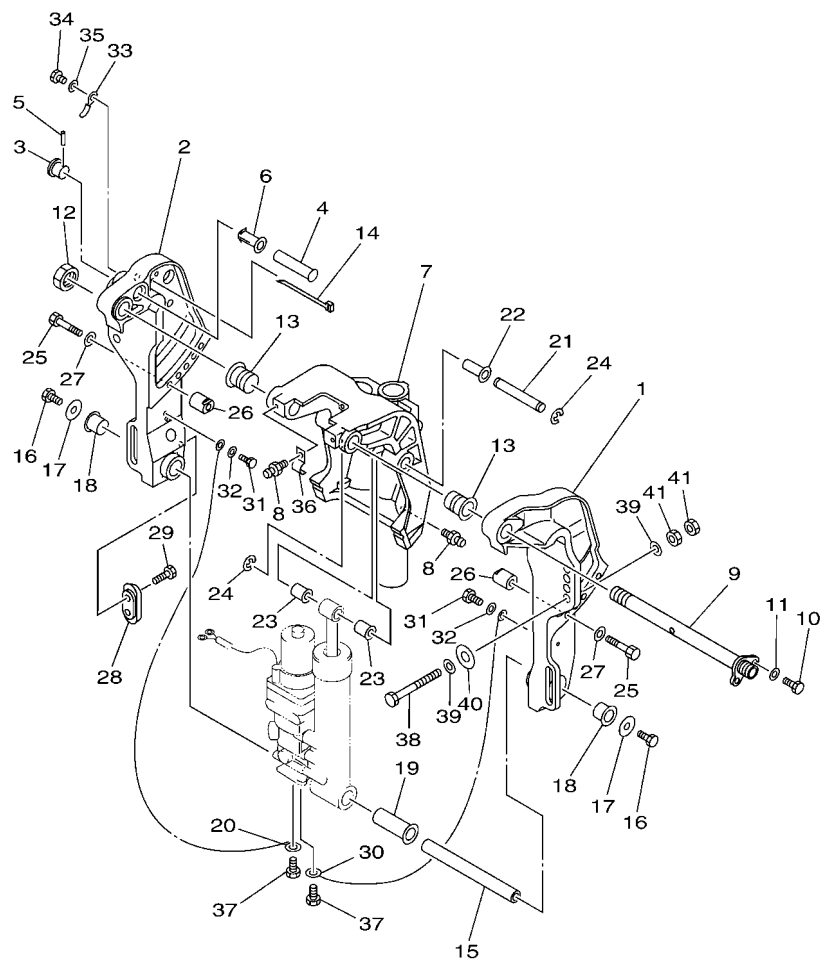


6BG3110-K250

FIG. 25 CONTROL

COMMANDE

REF. NO.	PART NO. N° PIECES	DESCRIPTION DESCRIPTION	ET	ED	EHD	REMARKS REMARQUES
27	6C5-42171-00	BUSHING COUSSINET	1	1	1	
28	91490-16010	PIN. COTTER GOUILLE	1	1	1	
29	62Y-44135-00	SPRING RESSORT	1	1	1	
30	90387-06M45	COLLAR COLLERETTE	1	1	1	
31	90119-06126	BOLT, WITH WASHER BOULON, AVEC RONDELLE	1	1	1	
32	6BG-42335-00	LEVER, ACCEL. CONTROL LEVIER, ACCELERATION	1	1	1	
33	95895-06045	BOLT, FLANGE BOULON	1	1	1	
34	90206-10M04	WASHER, WAVE RONDELLE, ONDULEE	1	1	1	
35	90387-06279	COLLAR COLLERETTE	1	1	1	
36	69W-48344-00	CABLE END, REMOTE CONTROL CHAPE CABLE	1	1	1	
37	90468-18008	CLIP JONC	1	1	1	

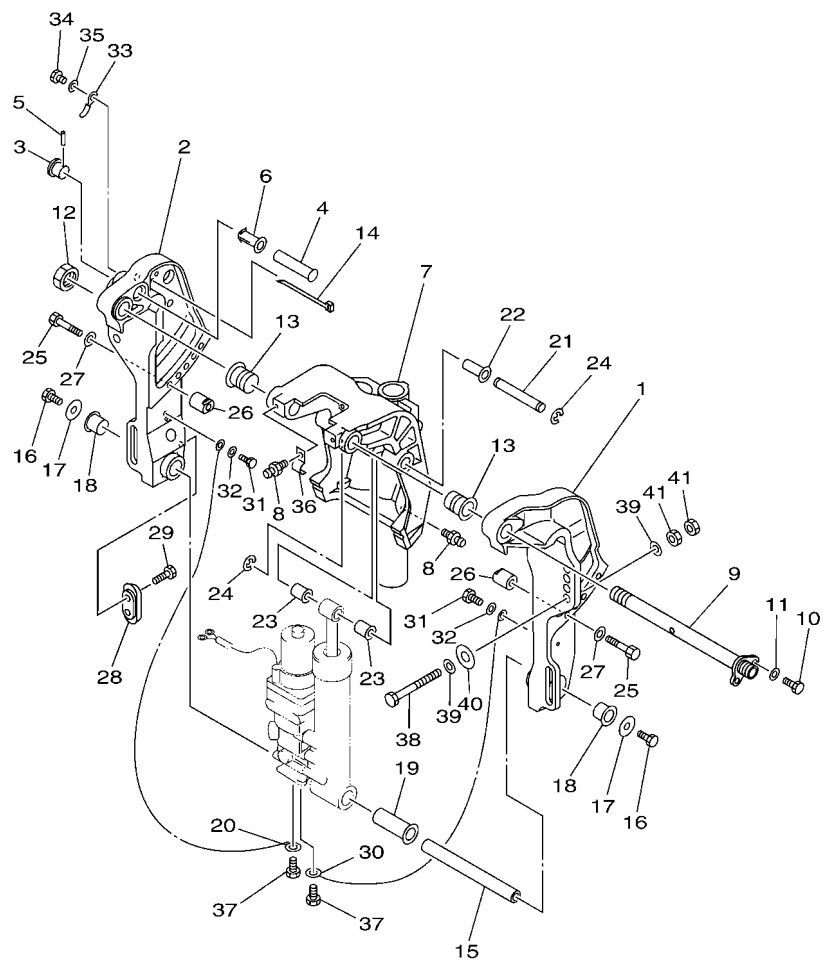


6BG1110-H260

FIG. 26 BRACKET 1

SUPPORT 1

REF. NO.	PART NO. N° PIECES	DESCRIPTION DESCRIPTION	ET	ED	EHD	REMARKS REMARQUES
1	6K9-43111-10-8D	BRACKET, CLAMP 1 PRESSE 1	1			
2	6BG-43112-10-8D	BRACKET, CLAMP 2 PRESSE 2	1			
3	65W-43192-00	KNOB, STOPPER BOUTON, BUTEE DE RELEVAGE	1			
4	65W-43191-00	SHAFT, STOPPER AXE, BUTEE	1			
5	91690-30018	PIN, SPRING AGRAFFE	1			
6	90386-14MA1	BUSH DOUILLE	1			
7	6BG-43311-00-8D	BRACKET, SWIVEL 1 SUPPORT, PIVOT 1	1			S(16.3")
	6BG-43311-10-8D	BRACKET, SWIVEL 1 SUPPORT, PIVOT 1	1			S(16.3") L(21.1")
8	93700-06M03	NIPPLE, GREASE PION	3			
9	6K9-43131-01	BOLT, CLAMP BRACKET BOULON, PRESSE	1			
10	97095-08020	BOLT BOULON	1			
11	92995-08600	WASHER RONDELLE	1			
12	90185-22M11	NUT, SELF-LOCKING ECROU, AUTO-BLOQUANT	1			
13	90386-22MA4	BUSH DOUILLE	2			
14	90465-13M11	CLAMP BRIDE	2			
15	90249-18M35	PIN GOUPILLE	1			
16	97080-08016	BOLT BOULON	2			
17	90201-08M00	WASHER, PLATE RONDELLE, PLATE	2			
18	90386-18M44	BUSH DOUILLE	2			
19	90386-18MA0	BUSH DOUILLE	1			
20	6H1-82148-00	WIRE, LEAD 4 FIL 4	1			
21	90249-12M38	PIN GOUPILLE	1			
22	90381-12M10	BUSH, SOLID DOUILLE, SOLIDE	1			
23	90381-12M11	BUSH, SOLID DOUILLE, SOLIDE	2			
24	99080-10600	CIRCLIP CIRCLIP	2			
25	97095-10050	BOLT BOULON	2			
26	6BG-43654-00	NUT 1 ECROU 1	2			



FWD
6BG1110-H260

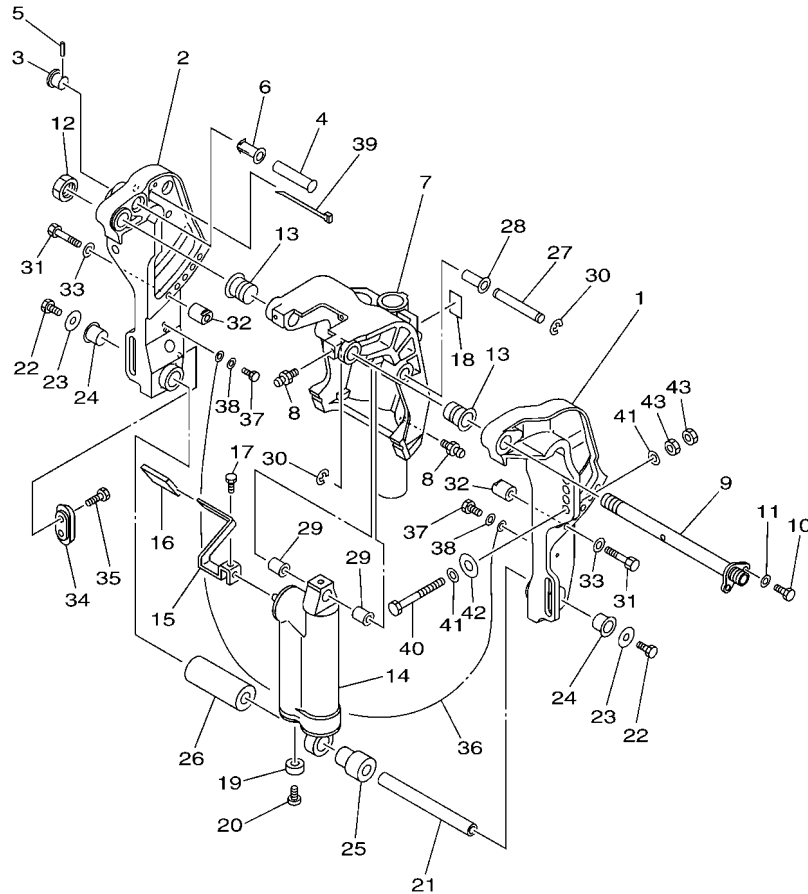
FIG. 26 BRACKET 1

SUPPORT 1

REF. NO.	PART NO. N° PIECES	DESCRIPTION DESCRIPTION	ET	ED	EHD	REMARKS REMARQUES
27	92995-10600	WASHER RONDELLE	2			
28	65W-45251-00	ANODE ANODE	1			
29	90101-06020	BOLT BOULON	2			
30	6U0-82127-00	WIRE, LEAD 2 FIL 2	1			
31	97095-06014	BOLT BOULON	2			
32	92995-06600	WASHER RONDELLE	2			
33	90465-10M77	CLAMP BRIDE	1			
34	97095-06014	BOLT BOULON	1			
35	92995-06600	WASHER RONDELLE	1			
36	90465-08M63	CLAMP BRIDE	1			
37	97085-06010	BOLT BOULON	2			
38	90101-12M65	BOLT BOULON	4			
39	90201-12062	WASHER, PLATE RONDELLE, PLATE	8			
40	90201-12426	WASHER, PLATE RONDELLE, PLATE	4			
41	95380-12600	NUT ECROU	8			

FIG. 27 BRACKET 2

SUPPORT 2

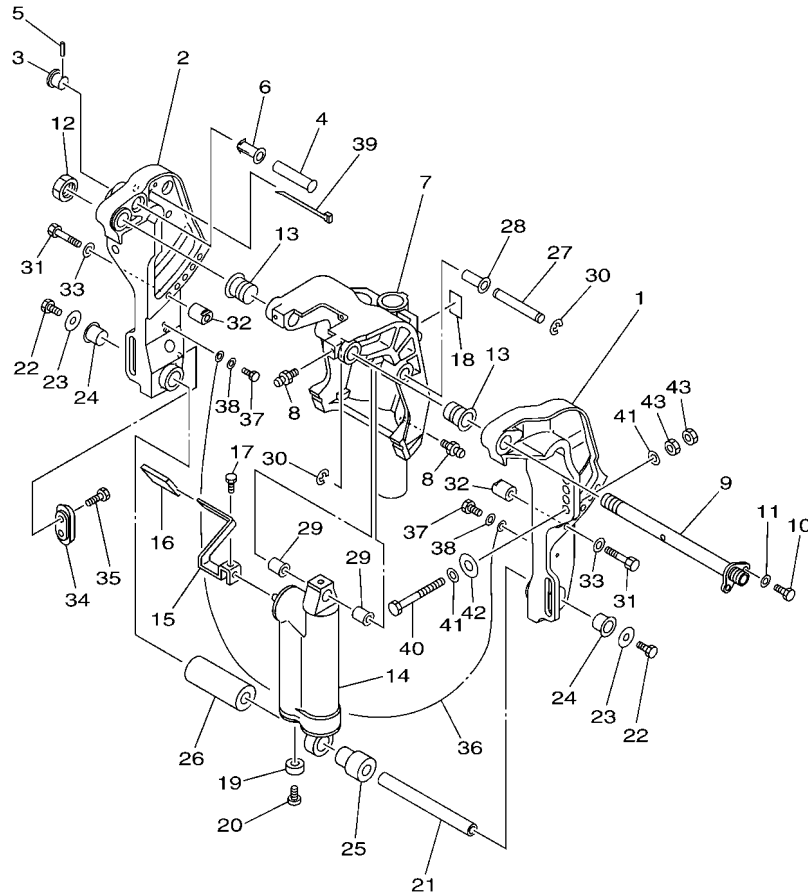


6BG1110-H270

REF. NO.	PART NO. N° PIECES	DESCRIPTION DESCRIPTION	ET	ED	EHD	REMARKS REMARQUES
1	6K9-43111-10-8D	BRACKET, CLAMP 1 PRESSE 1		1	1	
2	6BG-43112-10-8D	BRACKET, CLAMP 2 PRESSE 2		1	1	
3	65W-43192-00	KNOB, STOPPER BOUTON, BUTEE DE RELEVAGE		1	1	
4	65W-43191-00	SHAFT, STOPPER AXE, BUTEE		1	1	
5	91690-30018	PIN, SPRING AGRAFFE		1	1	
6	90386-14MA1	BUSH DOUILLE		1	1	
7	6BG-43311-00-8D	BRACKET, SWIVEL 1 SUPPORT, PIVOT 1			1	S(16.3") S(16.3")
	6BG-43311-10-8D	BRACKET, SWIVEL 1 SUPPORT, PIVOT 1		1	1	L(21.1") L(21.1")
8	93700-06M03	NIPPLE, GREASE PION		3		
	93700-06M03	NIPPLE, GREASE PION			1	
9	6K9-43131-01	BOLT, CLAMP BRACKET BOULON, PRESSE		1	1	
10	97095-08020	BOLT BOULON		1	1	
11	92995-08600	WASHER RONDELLE		1	1	
12	90185-22M11	NUT, SELF-LOCKING ECROU, AUTO-BLOQUANT		1	1	
13	90386-22MA4	BUSH DOUILLE		2	2	
14	67C-43107-02-8D	SHOCK ABSORBER SUB-ASSY AMORTISSEUR (ENS.)			1	S(16.3") S(16.3")
	67C-43107-12-8D	SHOCK ABSORBER SUB-ASSY AMORTISSEUR (ENS.)		1	1	L(21.1") L(21.1")
15	67C-43631-00	LEVER, TILT LEVIER, INCLINAISON		1	1	
16	682-43318-01	COVER CAPUCHON		1	1	
17	97095-06010	BOLT BOULON		1	1	
18	63D-43691-00	INDICATOR, TILT ETIQUETTE, RELEVAGE		1	1	
19	663-45251-00	ANODE ANODE		1	1	
20	90152-06M01	SCREW, COUNTERSUNK VIS, TETE NOYEE		1	1	
21	90249-18M35	PIN GOUPILLE		1	1	
22	97080-08016	BOLT BOULON		2	2	
23	90201-08M00	WASHER, PLATE RONDELLE, PLATE		2	2	
24	90386-18M44	BUSH DOUILLE		2	2	

FIG. 27 BRACKET 2

SUPPORT 2



REF. NO.	PART NO. N° PIECES	DESCRIPTION DESCRIPTION	ET	ED	EHD	REMARKS REMARQUES
25	90386-18MA5	BUSH DOUILLE		1	1	
26	90387-18M03	COLLAR COLLERETTE		1	1	
27	90249-12M38	PIN GOUPILLE		1	1	
28	90381-12M10	BUSH, SOLID DOUILLE, SOLIDE		1	1	
29	90381-12M11	BUSH, SOLID DOUILLE, SOLIDE		2	2	
30	99080-10600	CIRCLIP CIRCLIP		2	2	
31	97095-10050	BOLT BOULON		2	2	
32	6BG-43654-00	NUT 1 ECROU 1		2	2	
33	92995-10600	WASHER RONDELLE		2	2	
34	65W-45251-00	ANODE ANODE		1	1	
35	90101-06020	BOLT BOULON		2	2	
36	67C-82127-20	WIRE, LEAD 2 FIL 2		1	1	
37	97095-06014	BOLT BOULON		2	2	
38	92995-06600	WASHER RONDELLE		2	2	
39	90465-13M11	CLAMP BRIDE		1	1	
40	90101-12M65	BOLT BOULON		4	4	
41	90201-12062	WASHER, PLATE RONDELLE, PLATE		8	8	
42	90201-12426	WASHER, PLATE RONDELLE, PLATE		4	4	
43	95380-12600	NUT ECROU		8	8	


6BG1110-H270

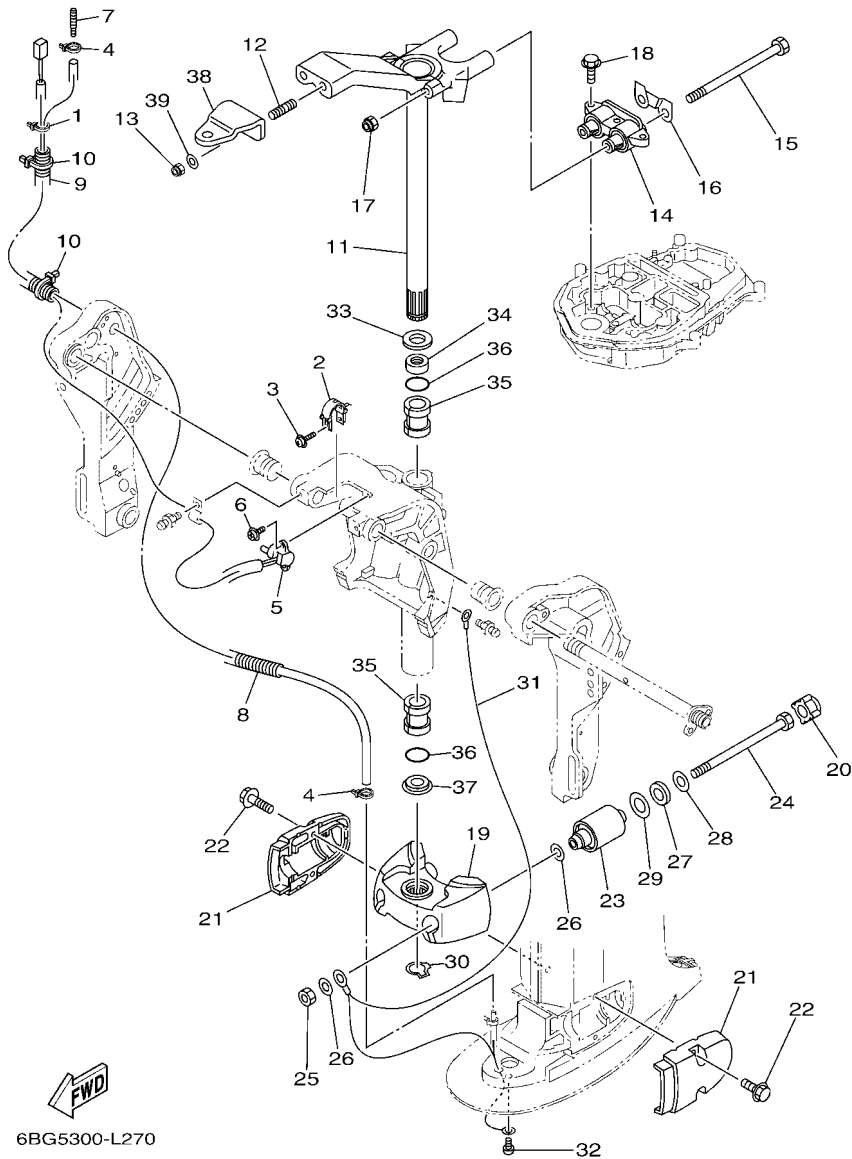


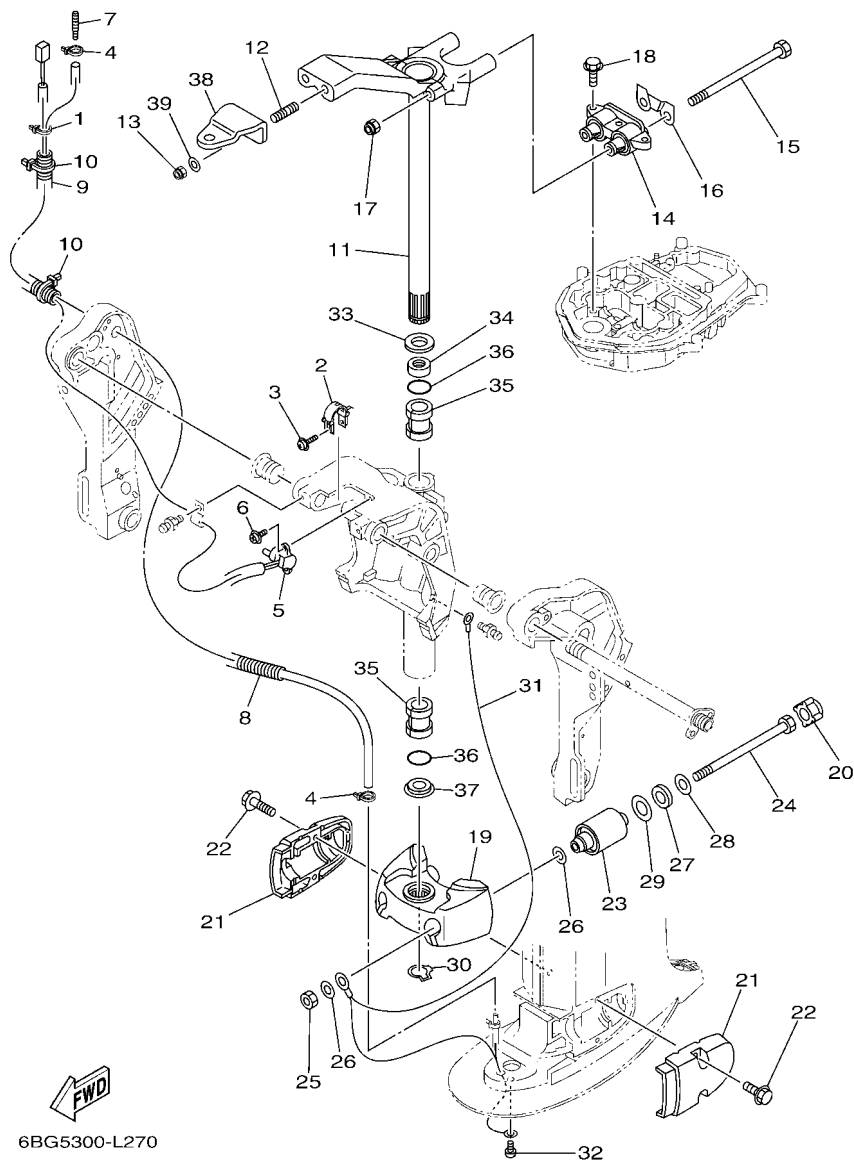
FIG. 28 BRACKET 3

SUPPORT 3

REF. NO.	PART NO. N° PIECES	DESCRIPTION DESCRIPTION	ET	ED	EHD	REMARKS REMARQUES
1	90465-11M10	CLAMP BRIDE	1			
2	6K9-43139-10	CAM, TRIM SENDER VILEBREQUIN TRUM	1			
3	90159-05059	SCREW, WITH WASHER VIS, AVEC RONDELLE	1			
4	90465-11M10	CLAMP BRIDE	2	2	2	
5	67H-83672-01	TRIM SENDER INCLINER RACCORD	1			
6	97985-06216	SCREW, WITH WASHER VIS, AVEC RONDELLE	2			
7	6E5-83558-00	END, NIPPLE RACCORD DE NIPPLE	1	1	1	
8	6BG-44385-00	HOSE, WATER 1 TUBE D'EAU 1	1		1	S(16.3") S(16.3")
	6BG-44385-10	HOSE, WATER 1 TUBE D'EAU 1	1	1	1	L(21.1") L(21.1")
9	90447-19014	TUBE (L300) DURITE (L300)	1			
10	90465-13M18	CLAMP BRIDE	2			
11	6BG-42510-00-8D	STEERING BRACKET ASSY DIRECTION SUPPORT (ENS.)	1		1	S(16.3") S(16.3")
	6BG-42510-10-8D	STEERING BRACKET ASSY DIRECTION SUPPORT (ENS.)	1	1	1	L(21.1") L(21.1")
12	90116-10063	BOLT, STUD GOUJON	2	2	2	
13	90185-10027	NUT, SELF-LOCKING ECROU,AUTO-BLOQUANT	2	2	2	
14	67C-44514-00	MOUNT DAMPER, UPPER SIDE SILENT-BLOC, SUPERIEUR LATERAL	1		1	S(16.3") S(16.3")
	67C-44514-10	MOUNT DAMPER, UPPER SIDE SILENT-BLOC, SUPERIEUR LATERAL	1	1	1	L(21.1") L(21.1")
15	90109-08229	BOLT BOULON	2	2	2	
16	66T-44526-30	PLATE PLAQUE	1	1	1	
17	90185-08018	NUT, SELF-LOCKING ECROU,AUTO-BLOQUANT	2	2	2	
18	97575-08530	BOLT, WITH WASHER VIS HEXAGONAL AVC RONDELLE	3	3	3	
19	67C-44551-01-8D	HOUSING, LOWER MOUNT RUBBER 1 BOITIER, SILENT-BLOC INFERIEUR	1		1	S(16.3") S(16.3")
	6C5-44551-00-8D	HOUSING, LOWER MOUNT RUBBER 1 BOITIER, SILENT-BLOC INFERIEUR	1	1	1	L(21.1") L(21.1")
20	69W-44575-00	DAMPER, LOWER MOUNT RUBBER SILENT-BLOC, INFERIEUR	2	2	2	
21	6C5-44552-00-8D	HOUSING, LOWER MOUNT RUBBER 2 BOITIER, SILENT-BLOC INFERIEUR	2	2	2	
22	97575-08530	BOLT, WITH WASHER VIS HEXAGONAL AVC RONDELLE	4	4	4	
23	67C-44555-21	MOUNT DAMPER, LOWER SIDE SILENT-BLOC, INFERIEUR LATERAL	2		2	S(16.3") S(16.3")

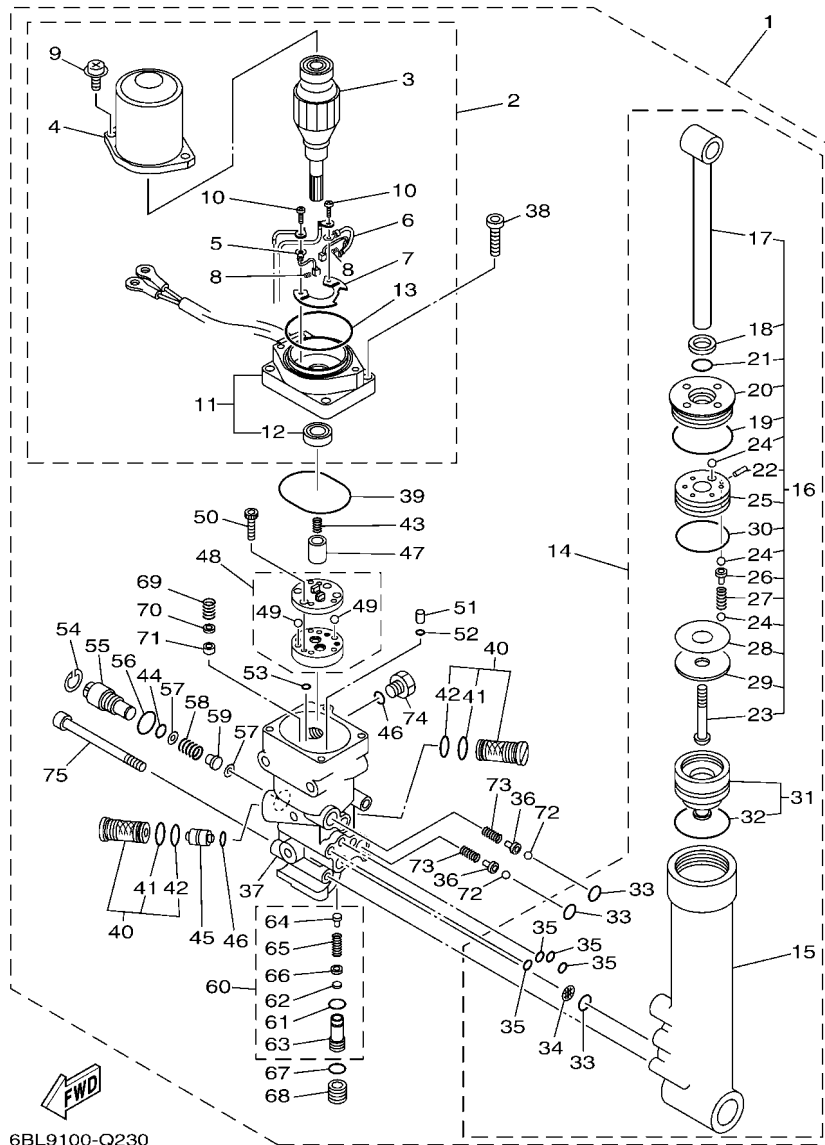
FIG. 28 BRACKET 3

SUPPORT 3



6BG5300-L270

REF. NO.	PART NO. N° PIECES	DESCRIPTION DESCRIPTION	ET	ED	EHD	REMARKS REMARQUES
23	67C-44555-11	MOUNT DAMPER, LOWER SIDE SILENT-BLOC, INFÉRIEUR LATERAL	2	2	2	L(21.1") L(21.1")
24	90109-12MA3	BOLT BOULON	2	2	2	
25	95380-12700	NUT ECROU	2	2	2	
26	90201-12M16	WASHER, PLATE RONDELLE, PLATE	4	4	4	
27	90202-21100	WASHER, PLATE RONDELLE, PLATE	2	2	2	
28	90201-13M19	WASHER, PLATE RONDELLE, PLATE	2	2	2	
29	90201-22M05	WASHER, PLATE RONDELLE, PLATE	2	2	2	
30	93410-28M06	CIRCLIP CLIPS	1	1	1	
31	67C-82127-00	WIRE, LEAD 2 FIL 2	1		1	S(16.3") S(16.3")
	67C-82127-10	WIRE, LEAD 2 FIL 2	1	1	1	L(21.1") L(21.1")
32	97885-06008	SCREW, PAN HEAD VIS, A ENCOCHE	1	1	1	
33	90201-30M00	WASHER, PLATE RONDELLE, PLATE	1	1	1	
34	90386-30M78	BUSH DOUILLE	1	1	1	
35	90386-30M77	BUSH DOUILLE	2	2	2	
36	93210-29M94	O-RING JOINT TORIQUE	2	2	2	
37	90386-30M60	BUSH DOUILLE	1	1	1	
38	65W-48511-01	HOOK, STEERING ATTACHE, DIRECTION	1	1		
39	90201-10049	WASHER, PLATE RONDELLE, PLATE	2	2		

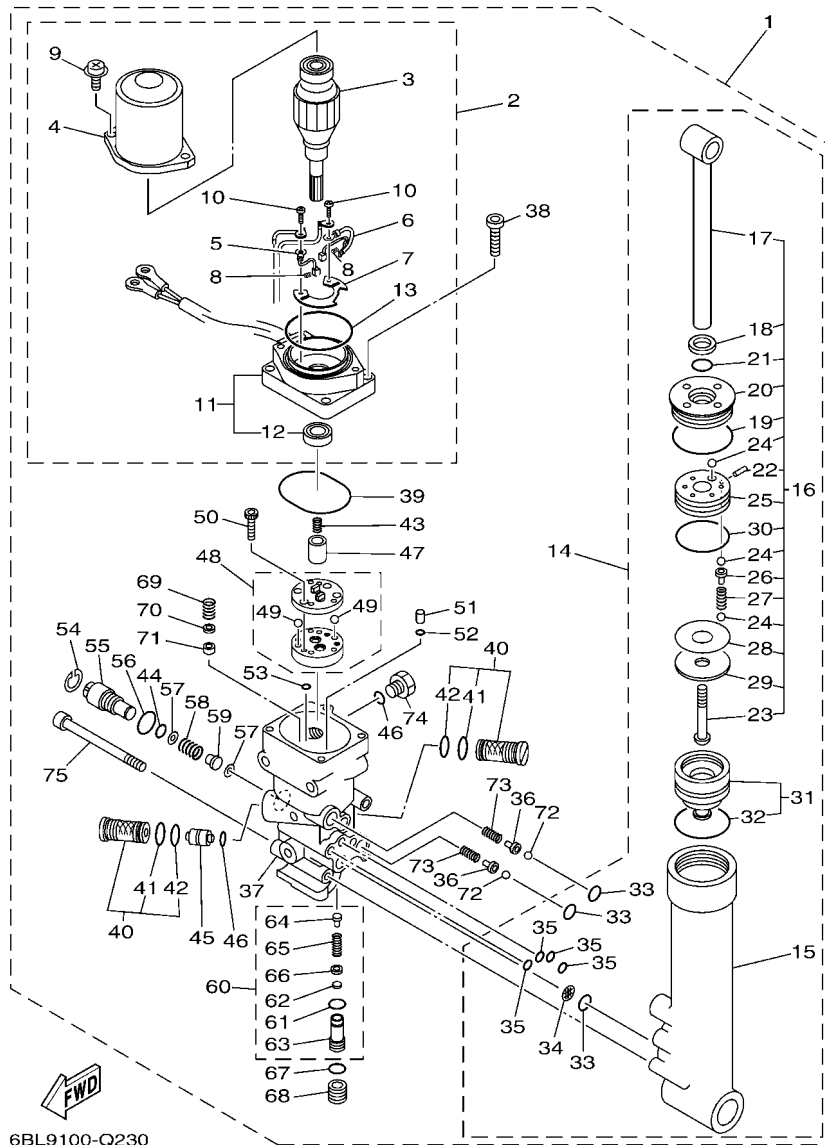


6BL9100-Q230

FIG. 29 POWER TRIM & TILT ASSY

PUISSANCE PARER ET INCLINER

REF. NO.	PART NO. N° PIECES	DESCRIPTION DESCRIPTION	ET	ED	EHD	REMARKS REMARQUES
1	67C-43800-12-8D	POWER TRIM & TILT ASSY PUISSANCE PARER ET INCLINER (E)	1			
2	67C-43880-10	.MOTOR ASSY .MOTEUR (ENS.)	1			
3	67C-43805-10	.ARMATURE ASSY .INDUIT (ENS.)	1			
4	67C-43804-10	.STATOR ASSY .STATOR (ENS.)	1			
5	67C-43892-10	.BRUSH 2 .BALAI 2	1			
6	67C-82181-10	.CIRCUIT BREAKER COMP. .RUPTEUR COMPLET	1			
7	67C-4380F-10	.PLATE, BRUSH HOLDER .PLAQUE	1			
8	67C-4386K-10	.SPRING, BRUSH .RESSORT, BALAI	2			
9	67C-43879-10	.SCREW, WITH WASHER .VIS, AVEC RONDELLE	2			
10	97602-04316	.SCREW, PAN HEAD WITH WASHER .VIS	2			
11	67C-43881-10	.FRAME, END .BATI	1			
12	67C-43882-10	...OIL SEAL ...JOINT SPI	1			
13	67C-43862-10	...O-RING ...JOINT TORIQUE	1			
14	67C-43840-01	POWER TILT ASSY PUISSANCE INCLINER (ENS.)	1			
15	65W-4380K-00	.CYLINDER, TILT SUB ASSY .CYLINDRE	1			
16	67C-43810-01	.TILT PISTON SUB ASSY ...INCLINER PISTON AUXILIAIRE(ENS)	1			
17	65W-43801-01	...ROD ...TIGE	1			
18	65W-43812-00	...SEAL, DUST ...JOINT	1			
19	65W-43865-00	...O-RING ...JOINT TORIQUE	1			
20	65W-43811-01	...SCREW, CYLINDER END ...VIS, CYLINDRE RACCORD	1			
21	67C-43867-00	...O-RING ...JOINT TORIQUE	1			
22	91609-16012	...PIN, SPRING ...AXE DE RESSORT	1			
23	92012-10040	...BOLT, BUTTON HEAD ...BOULON	1			
24	93505-32038	...BALL ...BILLE	11			
25	65W-4385A-01	...PISTON, TILT ...PISTON	1			
26	65W-4386A-00	...PIN, ABSORBER VALVE ...GOUPILLE, SOUPAPE	5			
27	67C-43857-00	...SPRING, ABSORBER VALVE ...RESSORT	5			



6BL9100-Q230

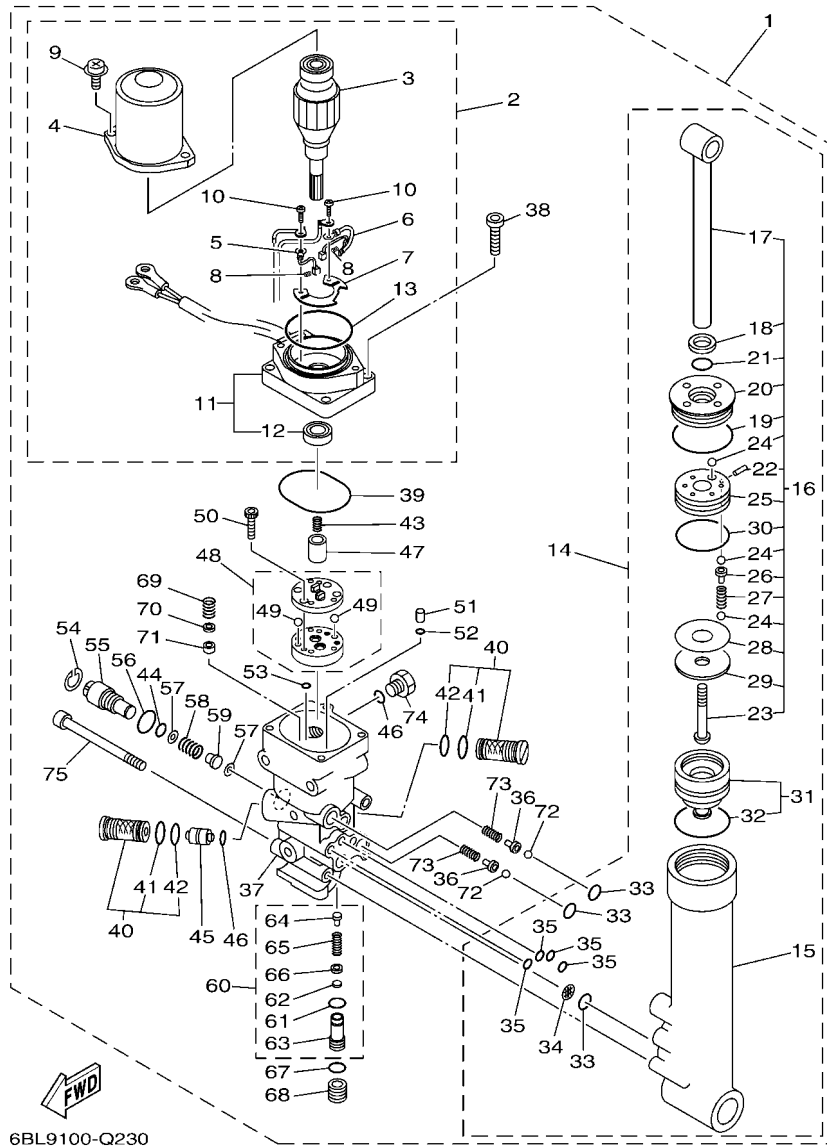
FIG. 29 POWER TRIM & TILT ASSY

PUISSANCE PARER ET INCLINER

REF. NO.	PART NO. N° PIECES	DESCRIPTION DESCRIPTION	ET	ED	EHD	REMARKS REMARQUES
28	15A-22442-00	...SHIM ...CALE	1			UN UN
29	90201-10038	...WASHER, PLATE ...RONDELLE, PLATE	1			
30	6H1-43862-00	...O-RING ...JOINT TORIQUE	1			
31	65W-4381B-00	..FREE PISTON SUB ASSY ..PISTON AUXILIAIRE (ENS.)	1			
32	6H1-43861-10	...O-RING ...JOINT TORIQUE	1			
33	93210-11368	..O-RING ..JOINT TORIQUE	3			
34	69J-4381C-00	..FILTER 3 ..FILTRE 3	1			
35	93210-064A5	..O-RING ..JOINT TORIQUE	4			
36	65W-4386A-00	..PIN, ABSORBER VALVE ..GOUPILLE, SOUPAPE	2			
37	67C-4380L-03	..HOUSING, TRIM & TILT SUB ASSY ..CARTER	1			
38	91380-06020	..BOLT ..BOULON	4			
39	93210-50768	..O-RING ..JOINT TORIQUE	1			
40	67F-43802-00	..VALVE SUB ASSY ..CLAPET AUXILIAIRE (ENS.)	2			
41	6H1-43866-01	..O-RING ..JOINT TORIQUE	1			
42	93210-12N52	..O-RING ..JOINT TORIQUE	1			
43	6T4-43853-00	..SPRING, MAIN VALVE ..RESSORT	1			
44	93210-10M74	..O-RING ..JOINT TORIQUE	1			
45	62X-43841-00	..PISTON, SHUTTLE ..PISTON	1			
46	93210-09165	..O-RING ..JOINT TORIQUE	2			
47	65W-43831-00	..CONNECTOR, SHAFT ..RACCORD	1			
48	65W-43830-00	..GEAR PUMP ASSY ..POMPE A PIGNON (ENS.)	1			
49	93505-32038	..BALL ..BILLE	2			
50	91318-04025	..BOLT ..BOULON	4			
51	65W-43817-00	..FILTER 2 ..FILTRE 2	2			
52	93210-04N50	..O-RING ..JOINT TORIQUE	2			
53	93210-04N51	..O-RING ..JOINT TORIQUE	2			
54	6H1-43875-00	..RING, SNAP ..RESSORT	1			

FIG. 29 POWER TRIM & TILT ASSY

PUISSANCE PARER ET INCLINER



6BL9100-Q230

REF. NO.	PART NO. N° PIECES	DESCRIPTION DESCRIPTION	ET	ED	EHD	REMARKS REMARQUES
55	6H1-43845-00	.SCREW, MANUAL RELEASE .VIS	1			
56	6D8-43863-00	.O-RING .JOINT TORIQUE	1			
57	6H1-43847-00	.SEAT, MANUAL VALVE .SIEGE	2			
58	65W-43854-00	.SPRING, MANUAL RELEASE .RESSORT	1			
59	65W-4382A-00	.ADAPTOR 1 .ADAPTEUR 1	1			
60	CS2-43803-81	.CASE VALVE COMP. .CARTER VALVE COMP.	1			
61	93210-10M74	.O-RING .JOINT TORIQUE	1			
62	6H1-4384G-11	.SEAL, RELIEF VALVE .JOINT	1			
63	67C-43851-00	.SEAT, RELIEF VALVE .SIEGE	1			
64	67F-43843-00	.SCREW, VALVE LOCK .VIS	1			
65	6H1-43856-10	.SPRING, DOWN RELIEF .RESSORT	1			
66	6H1-43844-10	.PIN, VALVE SUPPORT .GOUPILLE	1			
67	93210-11073	.O-RING .JOINT TORIQUE	1			
68	65W-43843-00	.SCREW, VALVE LOCK .VIS	1			
69	6H1-43856-10	.SPRING, DOWN RELIEF .RESSORT	1			
70	6H1-43844-10	.PIN, VALVE SUPPORT .GOUPILLE	1			
71	6H1-4384F-10	.SEAL, MAIN VALVE .JOINT	1			
72	93501-08001	.BALL .BILLE	2			
73	65W-43853-00	.SPRING, MAIN VALVE .RESSORT	2			
74	6H1-43829-00	.PLUG, RESERVOIR .BOUCHON	1			
75	62X-43878-01	.BOLT, SOCKET .BOULON	3			

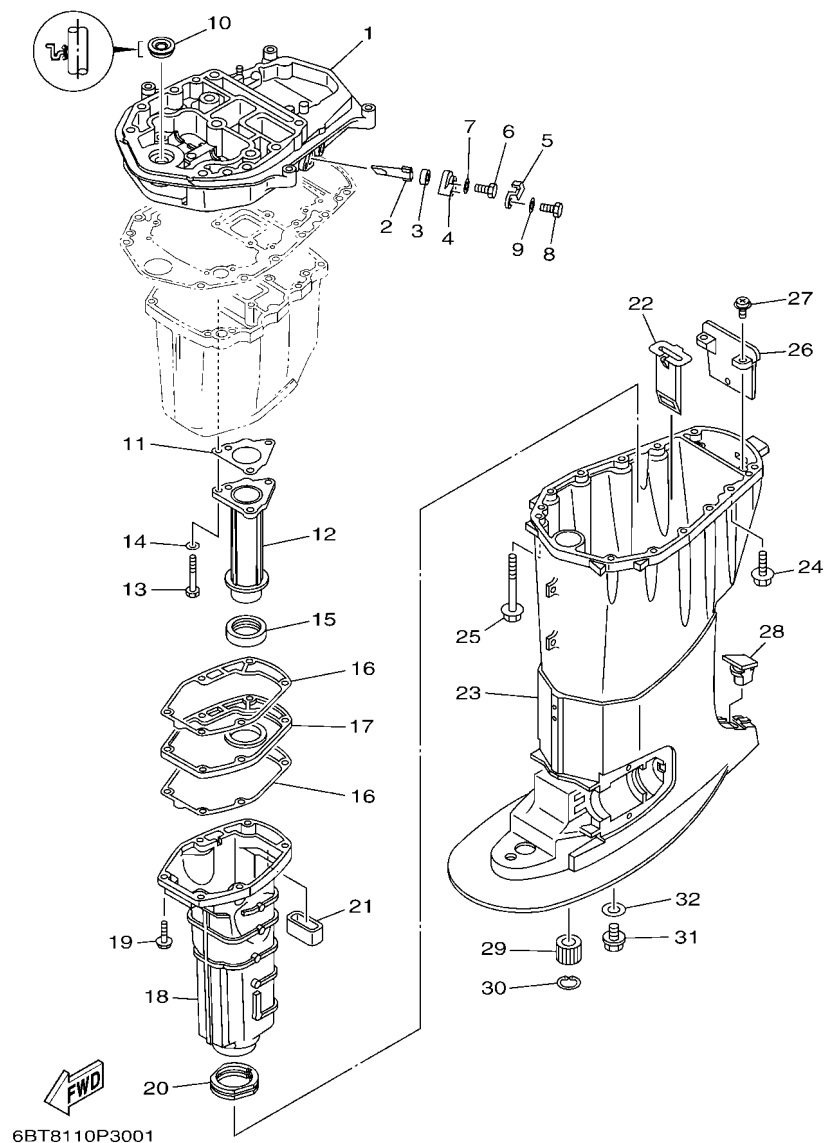


FIG. 30 UPPER CASING

FOURREAU

REF. NO.	PART NO. N° PIECES	DESCRIPTION DESCRIPTION	ET	ED	EHD	REMARKS REMARQUES
1	6BG-41137-10-CA	GUIDE, EXHAUST COLLECTEUR D'ECHAPPEMENT	1	1	1	
2	62Y-11325-00	ANODE ANODE	1	1	1	
3	66M-11328-00	GROMMET, ANODE PASSE-FIL	1	1	1	
4	66M-11327-00-94	COVER, ANODE COUVERCLE ANODE	1	1	1	
5	66M-12535-00	PLATE PLAQUE	1	1	1	
6	97095-05012	BOLT BOULON	1	1	1	
7	92995-05600	WASHER RONDELLE	1	1	1	
8	97013-06020	BOLT BOULON	1	1	1	
9	92903-06600	WASHER, PLATE RONDELLE, PLATE	1	1	1	
10	93103-16011	OIL SEAL JOINT SPY	1	1	1	
11	64J-41133-10	GASKET, EXHAUST MANIFOLD 1 JOINT, PIPE D'ECHAPPEMENT	1	1	1	
12	6BG-41131-00-CA	MANIFOLD, EXT. 1 PIPE D'ECHAPPEMENT	1	1	1	
13	97075-06050	BOLT BOULON	3	3	3	
14	92995-06600	WASHER RONDELLE	3	3	3	
15	64J-46132-10	GASKET 1 JOINT 1	1	1	1	
16	6BG-41134-00	GASKET, EXHAUST MANIFOLD JOINT, PIPE D'ECHAPPEMENT	2	2	2	
17	6BG-45181-00-CA	PLATE PLAQUETTE	1	1	1	
18	6BG-14711-00-CA	MUFFLER 1 POT D'ECHAPPEMENT 1	1		1	S(16.3") S(16.3")
	69W-14711-00-CA	MUFFLER 1 POT D'ECHAPPEMENT 1	1	1	1	L(21.1") L(21.1")
19	97575-06525	BOLT, WITH WASHER VIS HEXAGONAL AVC RONDELLE	6	6	6	
20	67C-45123-00	GASKET, MUFFLER JOINT, POT DE DETENTE	1	1	1	
21	62Y-45127-00	SEAL JOINT	1	1	1	
22	64J-77123-00	GUIDE 1 GUIDE 1	1	1	1	
23	6BG-45111-00-8D	CASING, UPPER FOURREAU	1		1	S(16.3") S(16.3")
	6BG-45111-20-8D	CASING, UPPER FOURREAU	1	1	1	L(21.1") L(21.1")
24	90119-08102	BOLT, WITH WASHER BOULON, AVEC RONDELLE	4	4	4	
25	90119-08132	BOLT, WITH WASHER BOULON, AVEC RONDELLE	8	8	8	

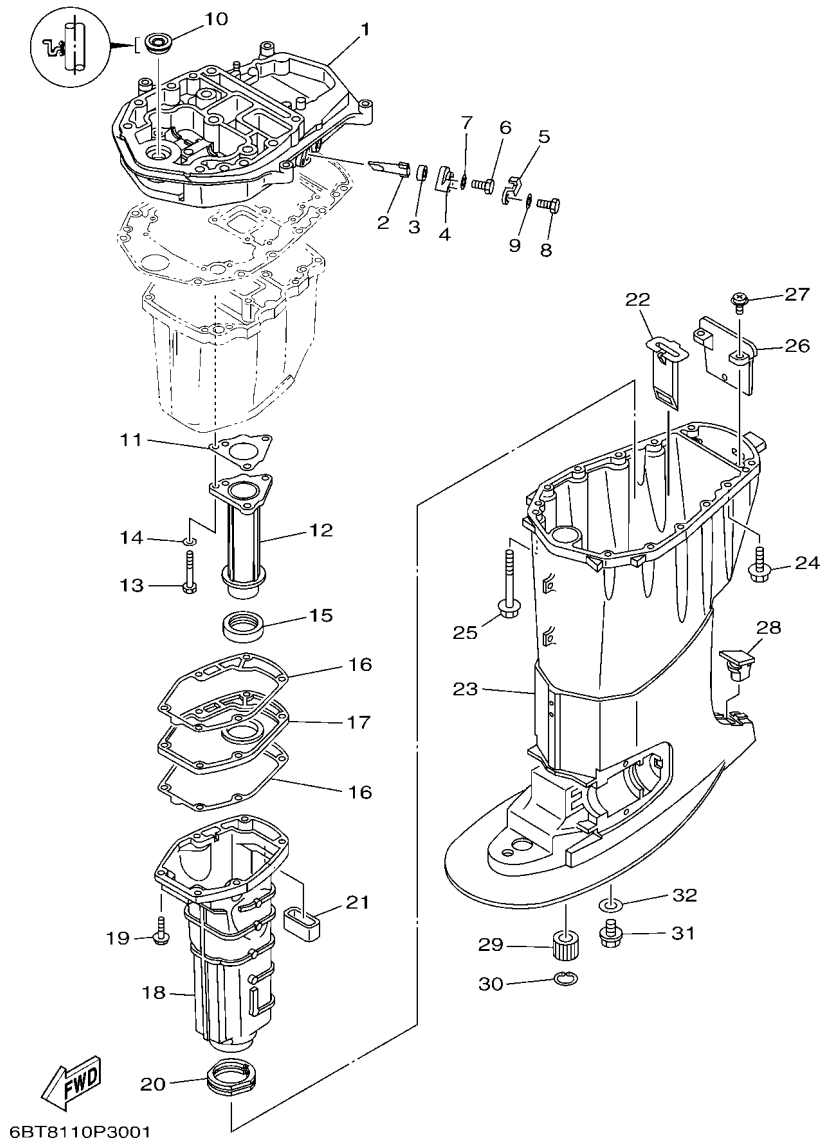


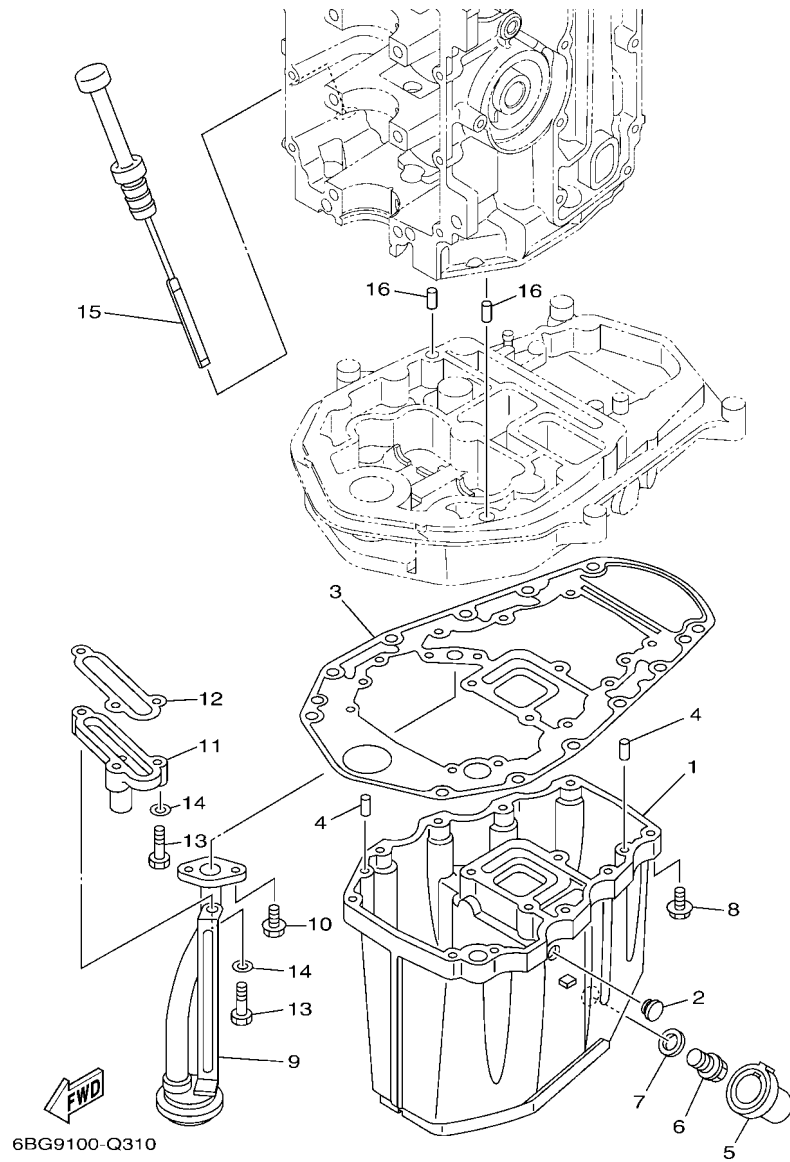
FIG. 30 UPPER CASING

FOURREAU

REF. NO.	PART NO. N° PIECES	DESCRIPTION DESCRIPTION	E1	ED	EHD	REMARKS REMARQUES
26	67C-45151-00	COVER, UPPER CASING CAPUCHON, FOURREAU	1	1	1	
27	97980-05216	SCREW, WITH WASHER VIS, AVEC RONDELLE	2	2	2	
28	63D-45155-00	CAP CAPUCHON	1		1	S(16.3") S(16.3")
	6C5-45155-00	CAP CAPUCHON	1	1	1	L(21.1") L(21.1")
29	6A0-45318-00	BUSHING, DRIVE SHAFT DOUILLE, ARBRE MOTEUR	1	1	1	L(21.1") L(21.1")
30	93420-36M01	CIRCLIP CIRCLIP, TYPE S	1	1	1	L(21.1") L(21.1")
31	90340-14M06	PLUG, STRAIGHT SCREW PLOT, FILETE DROIT	1	1	1	L(21.1") L(21.1")
32	90430-14M09	GASKET JOINT	1	1	1	L(21.1") L(21.1")

FIG. 31 OIL PAN

VENTILATEUR D'HUILE



6BG9100-Q310

REF. NO.	PART NO. N° PIECES	DESCRIPTION DESCRIPTION	ET	ED	EHD	REMARKS REMARQUES
1	6BG-15311-00-CA	OIL PAN VENTILATEUR D'HUILE	1	1	1	
2	90480-12M25	GROMMET PASSE-FIL	1	1	1	
3	69W-15312-00	GASKET, OIL PAN JOINT DE VENTILATEUR D'HUILE	1	1	1	
4	93606-12019	PIN, DOWEL GOUILLE	4	4	4	
5	67C-15316-10	DAMPER 1 AMORTISSEUR 1	1		1	S(16.3") S(16.3")
	67C-15316-00	DAMPER 1 AMORTISSEUR 1	1	1	1	L(21.1") L(21.1")
6	90340-14M06	PLUG, STRAIGHT SCREW PLOT, FILETE DROIT	1	1	1	
7	90430-14M09	GASKET JOINT	1	1	1	
8	97575-06525	BOLT, WITH WASHER VIS HEXAGONAL AVC RONDELLE	10	10	10	
9	62Y-13411-00	STRAINER, OIL FILTRE, HUILE	1	1	1	
10	97513-06516	BOLT, WITH WASHER VIS HEXAGONAL AVC RONDELLE	2	2	2	
11	6BG-11576-00-94	BODY, RELIEF CORPS DE SECURITE	1	1	1	
12	62Y-13475-00	GASKET JOINT	1	1	1	
13	97013-06025	BOLT BOULON	3	3	3	
14	92903-06600	WASHER, PLATE RONDELLE, PLATE	3	3	3	
15	6BG-15362-00	PLUG, OIL LEVEL PLOT, NIVEAU D'HUILE	1	1	1	
16	93608-12M05	PIN, DOWEL AXE	2	2	2	

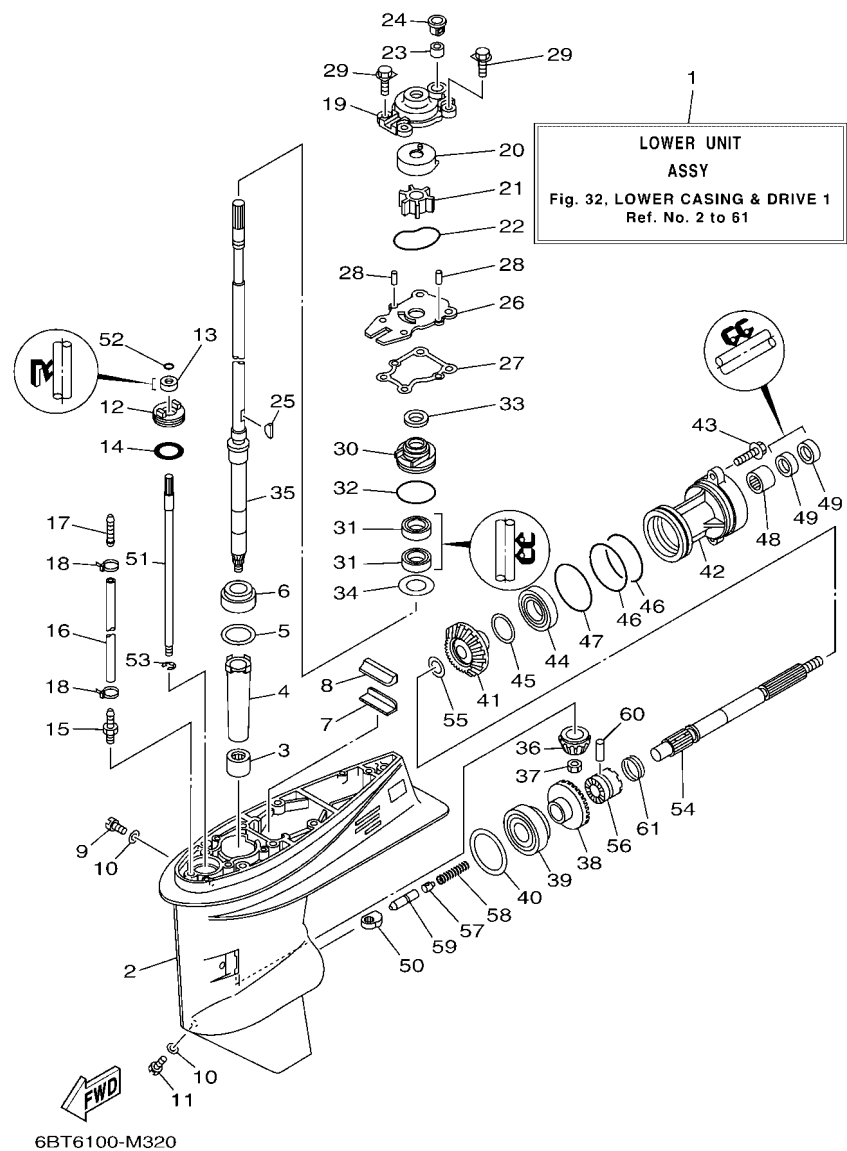
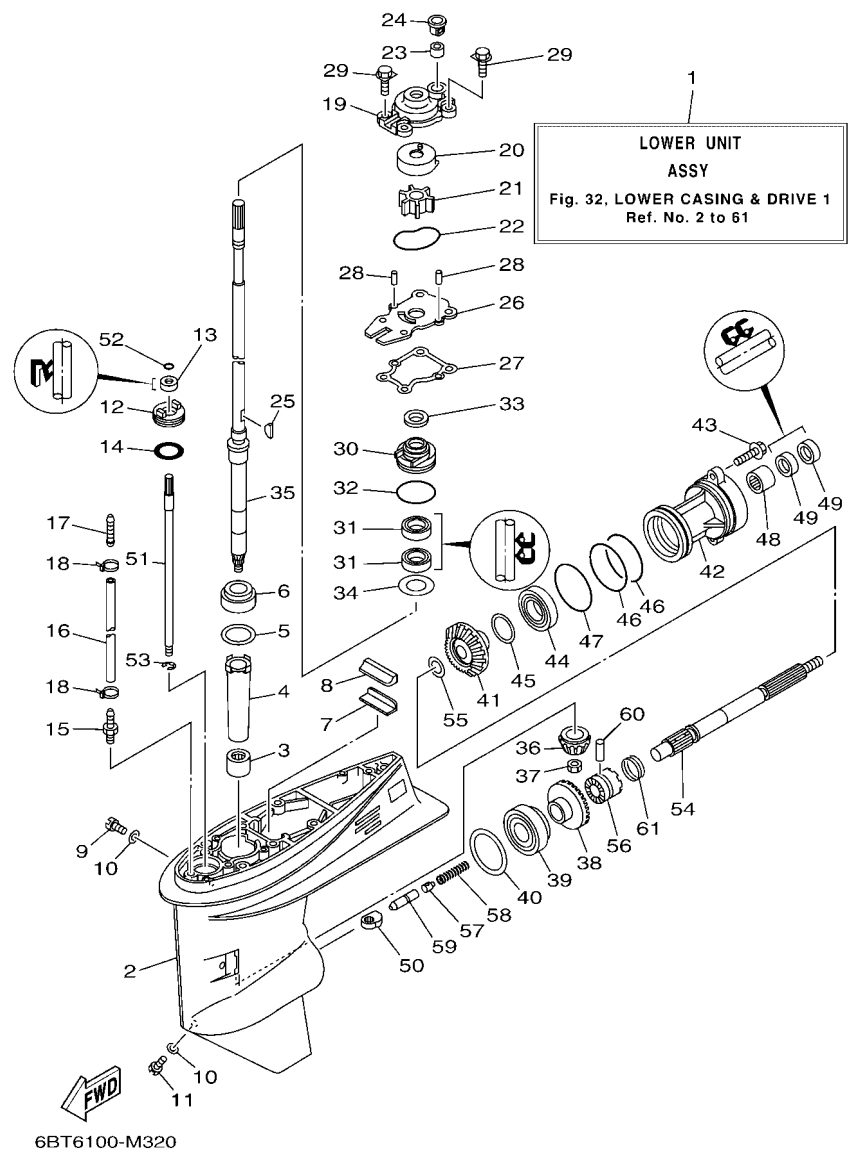


FIG. 32 LOWER CASING & DRIVE 1

BOITIER D'HELICE TRANSMISSION1

REF. NO.	PART NO. N° PIECES	DESCRIPTION DESCRIPTION	ET	ED	EHD	REMARKS REMARQUES
1	6BG-45300-00-8D	LOWER UNIT ASSY UNITE INFERIEURE (ENS.)	1		1	S(16.3") S(16.3")
	6BG-45300-10-8D	LOWER UNIT ASSY UNITE INFERIEURE (ENS.)	1	1	1	L(21.1") L(21.1")
2	62Y-45301-00-8D	CASING, LOWER BEQUILLE	1	1	1	
3	93315-32224	BEARING ROULEMENT	1	1	1	
4	6H4-45536-00	SLEEVE, DRIVE SHAFT MANCHON, ARBRE MOTEUR	1	1	1	
5	663-45587-01	SHIM (T:0.10MM) CALE (T:0.10MM)	1	1	1	UR
	663-45587-10	SHIM (T:0.12MM) CALE (T:0.12MM)	1	1	1	UR
	663-45587-20	SHIM (T:0.15MM) CALE (T:0.15MM)	1	1	1	UR
	663-45587-30	SHIM (T:0.18MM) CALE (T:0.18MM)	1	1	1	UR
	663-45587-40	SHIM (T:0.30MM) CALE (T:0.30MM)	1	1	1	UR
	663-45587-50	SHIM (T:0.40MM) CALE (T:0.40MM)	1	1	1	UR
	663-45587-60	SHIM (T:0.50MM) CALE (T:0.50MM)	1	1	1	UR
6	93332-00001	BEARING ROULEMENT	1	1	1	
7	663-45376-00	GUIDE, SEAL DAMPER BUTEE, JOINT CAOUTCHOUC	1	1	1	
8	63D-45375-00	DAMPER, SEAL BOURRELET, CAOUTCHOUC	1	1	1	
9	90340-08002	PLUG, STRAIGHT SCREW PLOT, FILETE DROIT	1	1	1	
10	90430-08003	GASKET JOINT	2	2	2	
11	688-45341-10	PLUG, DRAIN BOUCHON DE VIDANGE	1	1	1	
12	63D-45321-00	PLATE PLAQUETTE	1	1	1	
13	93106-09014	OIL SEAL JOINT SPY	1	1	1	
14	93210-33MG4	O-RING JOINT TORIQUE	1	1	1	
15	6E5-45378-00	NIPPLE, HOSE RACCORD, TUYAU	1	1	1	
16	90445-07ME8	HOSE (L80) DURITE (L80)	1	1	1	
17	6E5-83558-10	END, NIPPLE RACCORD DE NIPPLE	1	1	1	
18	90465-11M10	CLAMP BRIDE	2	2	2	
19	66T-44311-00	HOUSING, WATER PUMP CORPS, POMPE A EAU	1	1	1	
20	63D-44322-00	INSERT, CARTRIDGE CUVETTE	1	1	1	



6BT6100-M320

FIG. 32 LOWER CASING & DRIVE 1

BOITIER D'HELICE TRANSMISSION1

REF. NO.	PART NO. N° PIECES	DESCRIPTION DESCRIPTION	EL	ED	EHD	REMARKS REMARQUES
21	6H4-44352-02	IMPELLER TURBINE	1	1	1	
22	93210-59MG7	O-RING JOINT TORIQUE	1	1	1	
23	663-44366-00	DAMPER, WATER SEAL 2 JOINT, TUBE D'EAU 2	1	1	1	
24	63D-44312-00	COVER, WATER PUMP HOUSING COUVERCLE	1	1	1	
25	90280-03M03	KEY, WOODRUFF CLAVETTE, DEMI-LUNE	1	1	1	
26	63D-44323-00	OUTER PLATE, CARTRIDGE PLAQUE EXTERIEURE	1	1	1	
27	63D-44316-00	GASKET, WATER PUMP JOINT, POMPE A EAU	1	1	1	
28	93604-08062	PIN, DOWEL CLAVETTE	2	2	2	
29	90119-08M15	BOLT, WITH WASHER BOULON, AVEC RONDELLE	4	4	4	
30	6BG-44341-00	HOUSING, WATER PUMP CORPS, POMPE A EAU	1	1	1	
31	93101-22M60	OIL SEAL JOINT SPY	2	2	2	
32	93210-48001	O-RING JOINT TORIQUE	1	1	1	
33	66T-45344-01	COVER, OIL SEAL FLASQUE, JOINT D'HUILE	1	1	1	
34	90201-27M00	WASHER, PLATE RONDELLE, PLATE	1	1	1	
35	67C-45501-00	DRIVE SHAFT COMP. ARBRE MOTEUR COMP.	1		1	S(16.3") S(16.3")
	67C-45501-10	DRIVE SHAFT COMP. ARBRE MOTEUR COMP.	1	1	1	L(21.1") L(21.1")
36	66T-45551-00	PINION (13T) PIGNON D'ATTAQUE (13D)	1	1	1	
37	90170-12138	NUT ECROU	1	1	1	
38	66T-45560-01	GEAR 1 (26T) PIGNON 1 (26T)	1	1	1	
39	93332-00003	BEARING ROULEMENT	1	1	1	
40	663-45567-01	SHIM (T:0.10MM) CALE (T:0.10MM)	1	1	1	UR
	663-45567-10	SHIM (T:0.12MM) CALE (T:0.12MM)	1	1	1	UR
	663-45567-20	SHIM (T:0.15MM) CALE (T:0.15MM)	1	1	1	UR
	663-45567-30	SHIM (T:0.18MM) CALE (T:0.18MM)	1	1	1	UR
	663-45567-40	SHIM (T:0.30MM) CALE (T:0.30MM)	1	1	1	UR
	663-45567-50	SHIM (T:0.40MM) CALE (T:0.40MM)	1	1	1	UR
	663-45567-60	SHIM (T:0.50MM) CALE (T:0.50MM)	1	1	1	UR

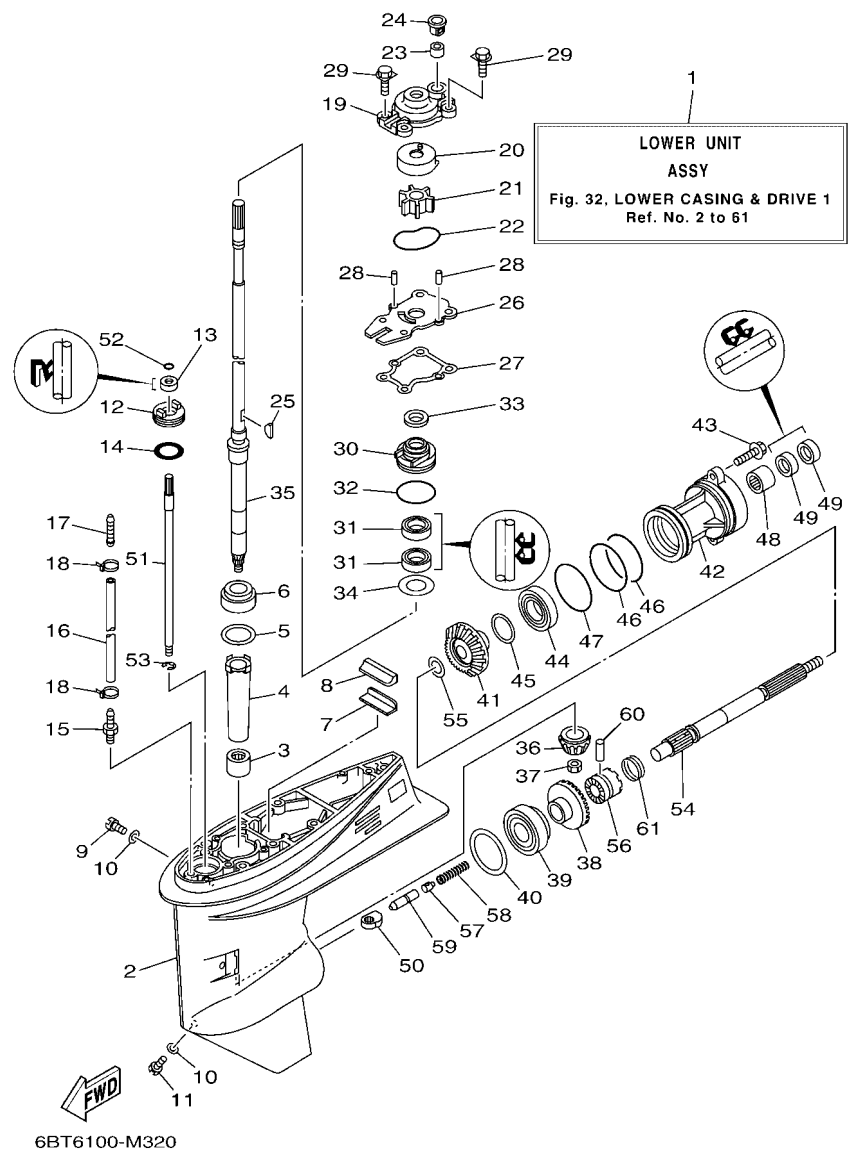


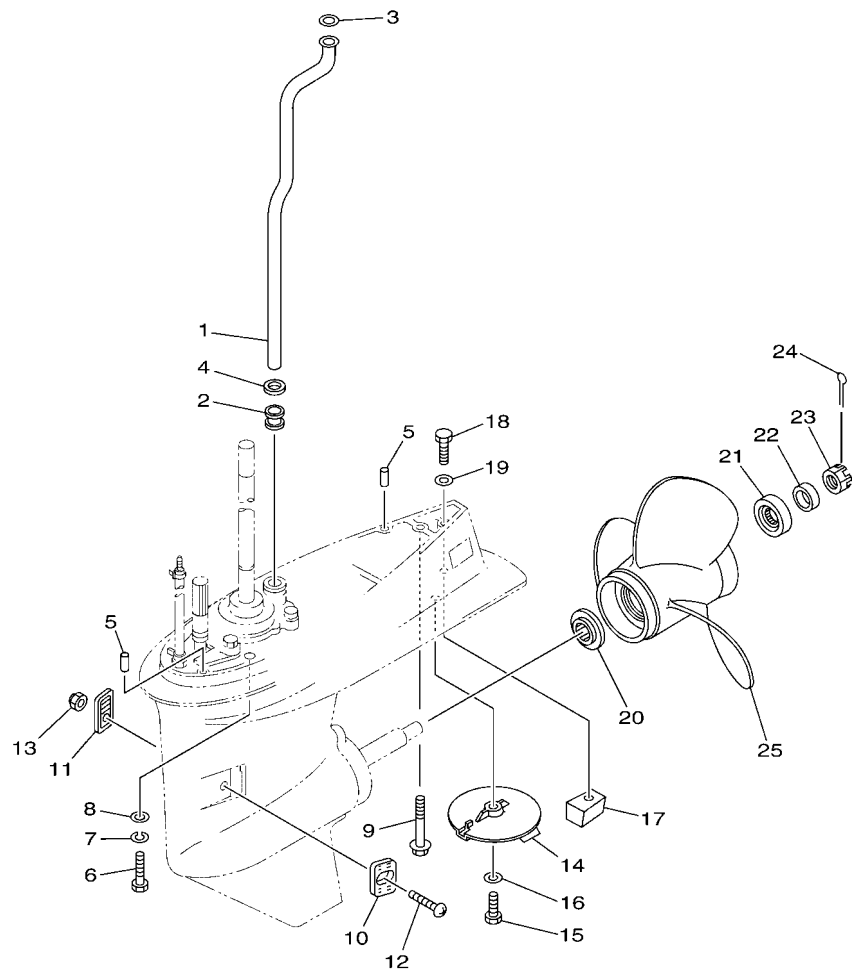
FIG. 32 LOWER CASING & DRIVE 1

BOITIER D'HELICE TRANSMISSION1

REF. NO.	PART NO. N° PIECES	DESCRIPTION DESCRIPTION	ET	ED	EHD	REMARKS REMARQUES
41	66T-45571-00	GEAR 2 (26T) PIGNON 2 (26T)	1	1	1	
42	63D-45361-02-8D	CAP. LOWER CASING COUVERCLE, BOITIER D'HELICE	1	1	1	
43	90105-08M61	BOLT, FLANGE BOULON	2	2	2	
44	93306-001U1	BEARING ROULEMENT	1	1	1	
45	63D-45577-00	SHIM (T:0.10MM) CALE (T:0.10MM)	1	1	1	UR UR
63D-45577-10	SHIM (T:0.12MM) CALE (T:0.12MM)	1	1	1	UR UR	
63D-45577-20	SHIM (T:0.15MM) CALE (T:0.15MM)	1	1	1	UR UR	
63D-45577-30	SHIM (T:0.18MM) CALE (T:0.18MM)	1	1	1	UR UR	
63D-45577-40	SHIM (T:0.30MM) CALE (T:0.30MM)	1	1	1	UR UR	
63D-45577-50	SHIM (T:0.40MM) CALE (T:0.40MM)	1	1	1	UR UR	
63D-45577-60	SHIM (T:0.50MM) CALE (T:0.50MM)	1	1	1	UR UR	
46	93210-74MG5	O-RING JOINT TORIQUE	2	2	2	
47	93210-69MG6	O-RING JOINT TORIQUE	1	1	1	
48	93317-22204	BEARING ROULEMENT	1	1	1	
49	93101-22M00	OIL SEAL JOINT SPY	2	2	2	
50	62Y-44151-00	CAM, SHIFT CAME, INVERSION	1	1	1	
51	63D-44144-00	ROD, SHIFT TIGE D'EMBAYAGE	1	1	1	
52	93210-07003	O-RING JOINT TORIQUE	1	1	1	
53	99001-08600	CIRCLIP CIRCLIP	1	1	1	
54	63D-45611-00	SHAFT, PROPELLER ARBRE, HELICE	1	1	1	
55	90201-22429	WASHER, PLATE RONDELLE, PLATE	1	1	1	
56	63D-45631-01	CLUTCH, DOG CRABOT	1	1	1	
57	663-45634-00	SLIDE, SHIFT CONTRE-POUSSOIR	1	1	1	
58	90501-18001	SPRING, COMPRESSION RESSORT, COMPRESSION	1	1	1	
59	63D-45635-00	PLUNGER, SHIFT POUSSOIR D'EMBAYAGE	1	1	1	
60	90250-06023	PIN, STRAIGHT GOUILLE, DROITE	1	1	1	
61	67C-45633-00	RING, CROSS PIN JONC, GOUILLE CRABOT	1	1	1	

FIG. 33 LOWER CASING & DRIVE 2

BOITIER D'HELICE TRANSMISSION2

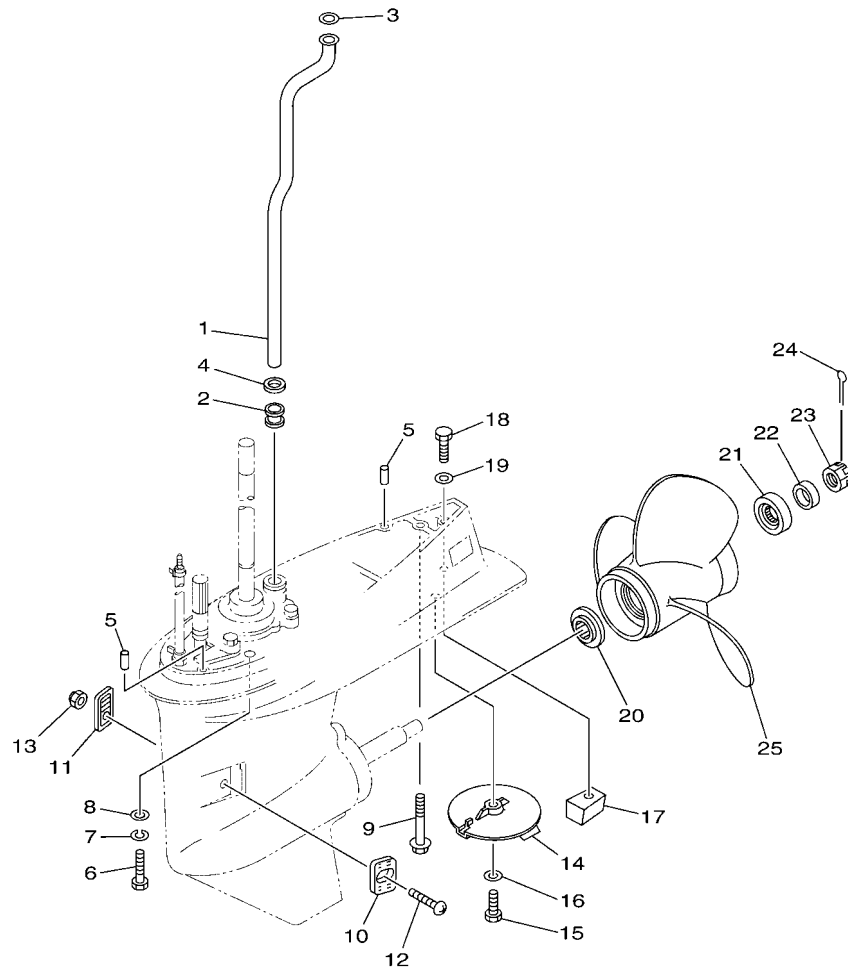


6BT6100-M330

REF. NO.	PART NO. N° PIECES	DESCRIPTION DESCRIPTION	ET	ED	EHD	REMARKS REMARQUES
1	67C-44361-00	TUBE, WATER 1 TUBE D'EAU 1	1		1	S(16.3") S(16.3")
	62Y-44361-00	TUBE, WATER 1 TUBE D'EAU 1	1	1	1	L(21.1") L(21.1")
2	663-44367-00	DAMPER, WATER SEAL 3 JOINT TUBE D'EAU 3	1	1	1	
3	90202-12060	WASHER, PLATE RONDELLE, PLATE	1	1	1	
4	90430-12072	GASKET JOINT	1	1	1	
5	93606-12019	PIN, DOWEL GOUPILLE	2	2	2	
6	97075-10040	BOLT BOULON	4	4	4	
7	92995-10100	WASHER RONDELLE	4	4	4	
8	92995-10600	WASHER RONDELLE	4	4	4	
9	90119-08M84	BOLT, WITH WASHER BOULON, AVEC RONDELLE	1	1	1	
10	63D-45214-00	COVER, WATER INLET 1 GRILLE, ENTREE D'EAU 1	1	1	1	
11	63D-45215-00	COVER, WATER INLET 2 GRILLE, ENTREE D'EAU 2	1	1	1	
12	90152-05010	SCREW, COUNTERSUNK VIS, TETE NOYEE	1	1	1	
13	95380-05600	NUT ECROU	1	1	1	
14	67C-45371-00	TAB-TRIM ANODE DERIVE	1	1	1	
15	97095-08025	BOLT BOULON	1	1	1	
16	92995-08600	WASHER RONDELLE	1	1	1	
17	67C-45251-00	ANODE ANODE	1	1	1	
18	97095-08035	BOLT BOULON	1	1	1	
19	92995-08600	WASHER RONDELLE	1	1	1	
20	663-45987-02	SPACER 1 ENTRETOISE 1	1	1	1	
21	66T-45997-00	SPACER 2 ENTRETOISE 2	1	1	1	
22	90389-22M01	BUSH DOUILLE	1	1	1	
23	90171-16011	NUT, CASTLE ECROU, CRENELE	1	1	1	
24	91490-30025	PIN, COTTER GOUPILLE	1	1	1	
25	69W-45943-00	PROPELLER (3X11"X15"-G) HELICE (3X11"X15"-G)	1	1	1	UR UR
	69W-45945-00	PROPELLER (3X11-1/8"X13"-G) HELICE (3X11-1/8"X13"-G)	1	1	1	UR UR

FIG. 33 LOWER CASING & DRIVE 2

BOITIER D'HELICE TRANSMISSION2




6BT6100-M330

REF. NO.	PART NO. N° PIECES	DESCRIPTION DESCRIPTION	E1	E2	EHD	REMARKS REMARQUES
25	69W-45947-00	PROPELLER (3X11-5/8"X11"-G) HELICE (3X11-5/8"X11"-G)	1	1	1	UR
	69W-45952-00	PROPELLER (3X11-3/8"X12"-G) HELICE (3X11-3/8"X12"-G)	1	1	1	UR
	663-45941-01	PROPELLER (3X10-3/4"X17"-G) HELICE (3X10-3/4"X17"-G)	1	1	1	UR
	663-45949-01	PROPELLER (3X10-3/4"X16"-G) HELICE (3X10-3/4"X16"-G)	1	1	1	UR
	663-45952-02	PROPELLER (3X11-3/8"X12"-G) HELICE (3X11-3/8"X12"-G)	1	1	1	UR
	663-45956-01	PROPELLER (3X12-1/4"X9"-G) HELICE (3X12-1/4"X9"-G)	1	1	1	UR
	663-45958-01	PROPELLER (3X11-1/4"X14"-G) HELICE (3X11-1/4"X14"-G)	1	1	1	UR
	6H5-45943-00	PROPELLER (3X10"X15"-G) HELICE (3X10"X15"-G)	1	1	1	UR WITH LIP CUP
	6H5-45945-00	PROPELLER (3X10-3/8"X13"-G) HELICE (3X10-3/8"X13"-G)	1	1	1	UR WITH LIP CUP
	6H5-45952-00	PROPELLER (3X10-5/8"X12"-G) HELICE (3X10-5/8"X12"-G)	1	1	1	UR WITH LIP CUP
	6H5-45958-00	PROPELLER (3X10-1/4"X14"-G) HELICE (3X10-1/4"X14"-G)	1	1	1	UR WITH LIP CUP
	663-45970-60	PROPELLER (3X11-3/4"X12"-G) HELICE (3X11-3/4"X12"-G)	1	1	1	UR
	663-45972-60	PROPELLER (3X12"X11"-G) HELICE (3X12"X11"-G)	1	1	1	UR
	663-45974-60	PROPELLER (3X11-1/2"X13"-G) HELICE (3X11-1/2"X13"-G)	1	1	1	UR
	697-45970-00	PROPELLER (3X11-1/4"X14"-G) HELICE (3X11-1/4"X14"-G)	1	1	1	UR
	663-45930-00	PROPELLER (3X10-1/4"X14"-G) HELICE (3X10-1/4"X14"-G)	1	1	1	UR
	663-45974-02	PROPELLER (3X10-5/8"X13"-G) HELICE (3X10-5/8"X13"-G)	1	1	1	UR
	663-45976-00	PROPELLER (3X10-1/4"X15"-G) HELICE (3X10-1/4"X15"-G)	1	1	1	UR
	663-45978-00	PROPELLER (3X10-1/4"X16"-G) HELICE (3X10-1/4"X16"-G)	1	1	1	UR

FIG. 26 FUEL TANK 23 L

RESEVOIR A ESSENCE 23 L

REF. NO.	PART NO. NO. PIECES	DESCRIPTION DESCRIPTION					REMARKS REMARQUES
1	8085080	COMPLETE FUEL TANK 23 L RESEVOIR A ESSENCE (ENS.) 23 L				1	
2	3540275	GASKET JOINT				1	
3	1598845	FUEL TANK PLUG (POS. NO 2+3) BOUCHON (ENS.) (POS. 2+3)				1	
4	8055085	COMPLETE FUEL SUCTION DURITE DE SUCCION				1	
5	7080500	CLAMP COLLIER				1	
6	8050270	FUEL HOSE DURITE A ESSENCE				1	
7	7080490	CLAMP COLLIER				1	
8	6G1-24305-01	FUEL CONNECTOR - FEMALE DURITE RACCORDEMENT A ESSENCE				1	
	1575270	FUEL TANK WITH PIPE RESEVOIR A ESSENCE + DURITE				1	
	1581280	COMPLETE PIPE (POS.NO. 5+6+7) DURITE A ESSENCE (ENS) (POS. 5+6+7)				1	

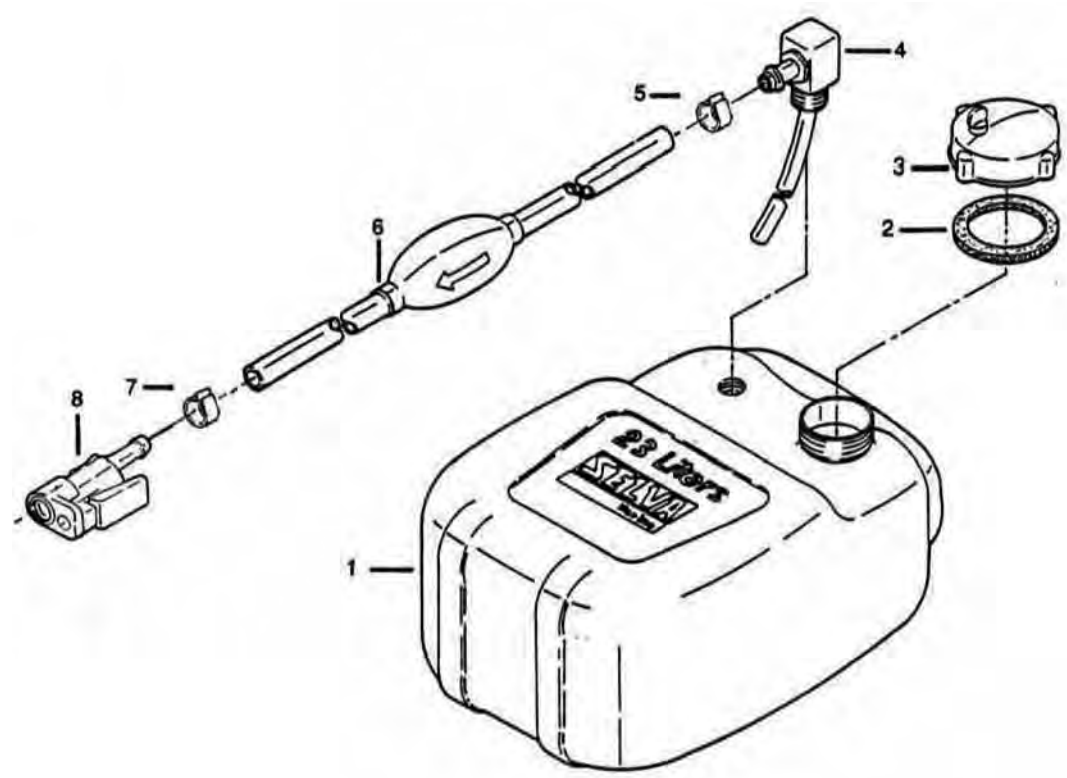
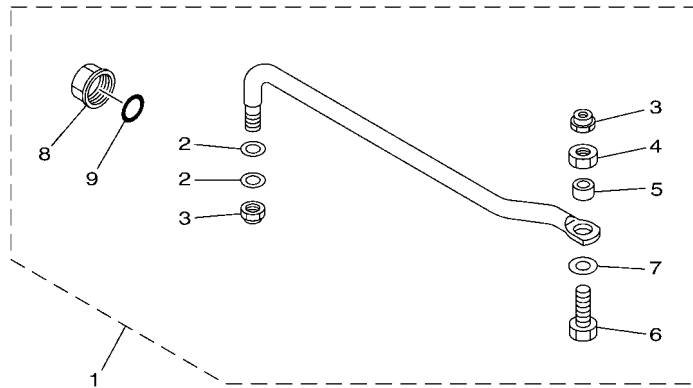


FIG. 35 STEERING GUIDE

FIXATION DE DIRECTION



REF. NO.	PART NO. N° PIECES	DESCRIPTION DESCRIPTION	ET	ED	EHD	REMARKS REMARQUES
1	6BG-61350-00	STEERING GUIDE ATTACHMENT KIT FIXATIONS DE DIRECTION	1	1		AP AP
2	90201-10M20	.WASHER, PLATE .RONDELLE, PLATE	2	2		
3	90185-09M01	.NUT, SELF-LOCKING .ECROU, AUTO-BLOQUANT	2	2		
4	90170-09M03	.NUT .ECROU	1	1		
5	90387-10M42	.COLLAR .COLLERETTE	1	1		
6	90101-09M01	.BOLT .BOULON	1	1		
7	90201-10M63	.WASHER, PLATE .RONDELLE, PLATE	1	1		
8	6E5-43145-01	.CAP, CLAMP BRACKET .CAPUCHON, PRESSE	1	1		
9	93210-16275	.O-RING .JOINT TORIQUE	1	1		

6BG1100-H340

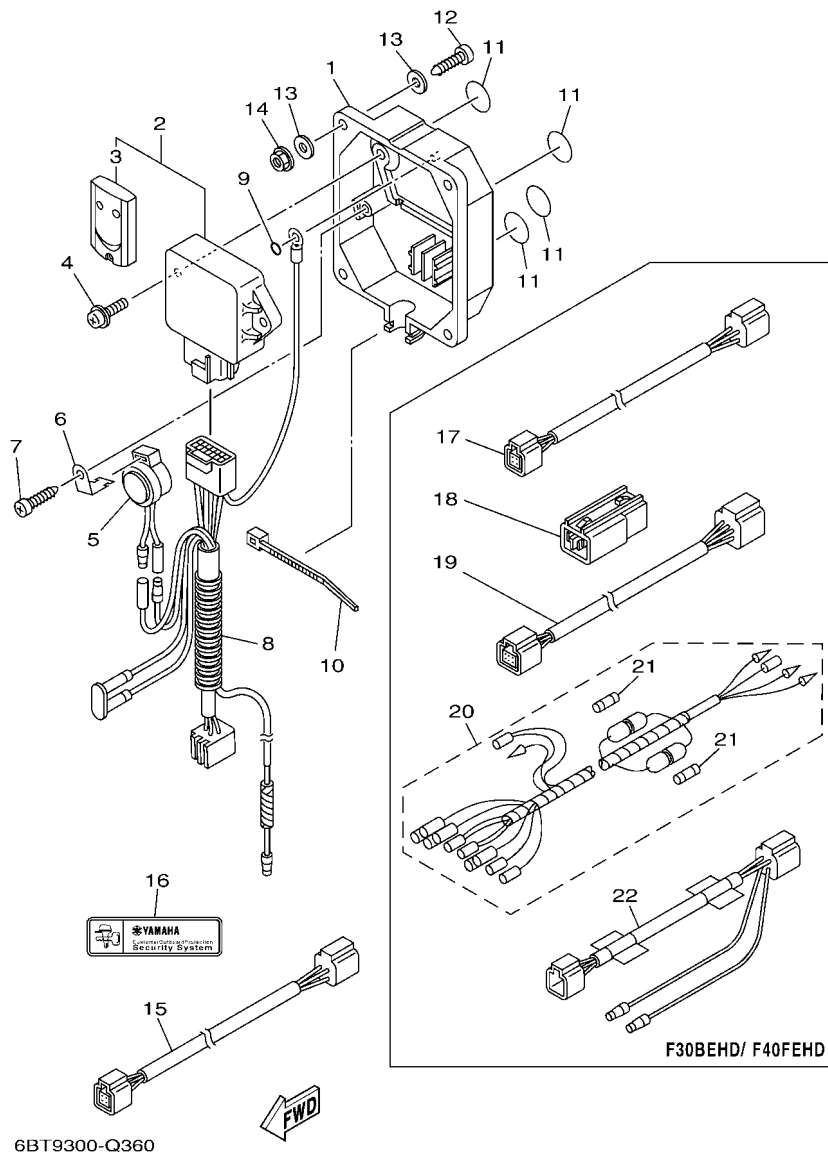
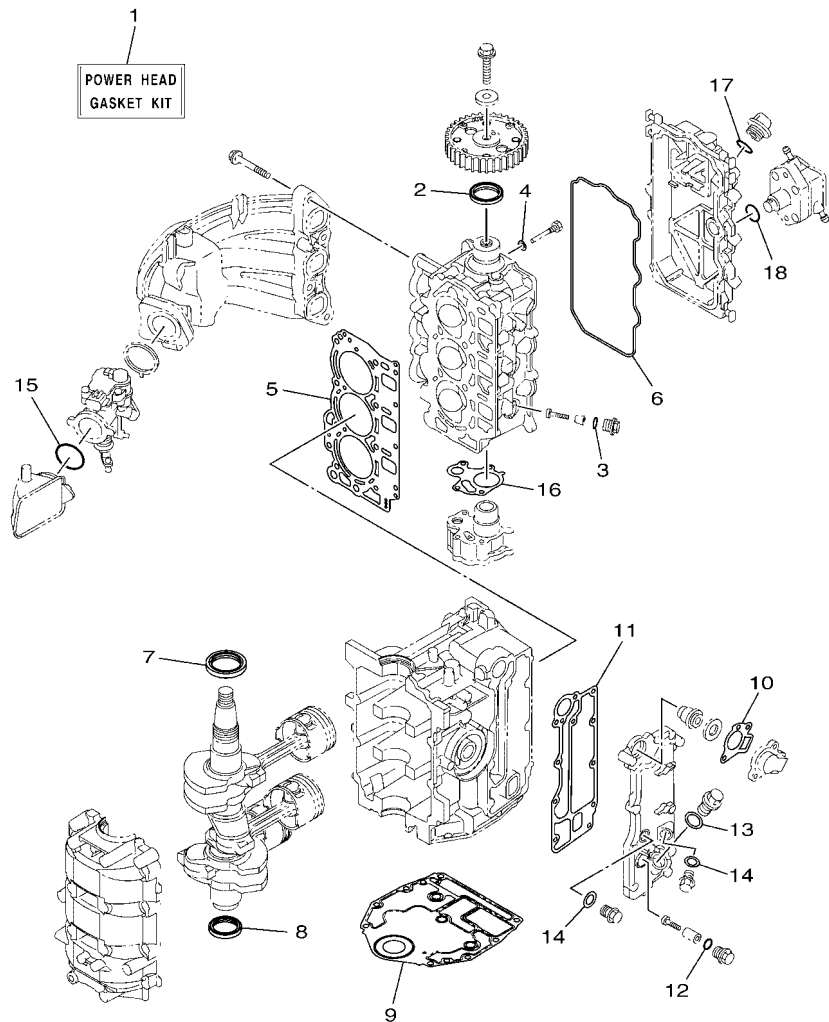


FIG. 36 OPTIONAL PARTS

PIECES OPTIONNELLES

REF. NO.	PART NO. N° PIECES	DESCRIPTION DESCRIPTION	EL	ED	EHD	REMARKS REMARQUES
1	6Y8-86267-00	CASE COMPLETE 1 CARTER (ENS.) 1	1	1	1	
2	6Y8-86260-02	REMOTE CONTROL UNIT ASSY UNITE DE TELECOMMANDE (ENS.)	1	1	1	
3	6AA-86261-00	.XMTR. COMP. .XMTR. COMP.	2	2	2	
4	97980-06216	SCREW, WITH WASHER VIS, AVEC RONDELLE	2	2	2	
5	6X4-83383-00	BUZZER RONFLEUR	1	1	1	
6	6X4-83386-00	STAY, BUZZER SUPPOR, RONFLEUR	1	1	1	
7	97780-60620	SCREW, TAPPING VIS, TETE BOMBEE	1	1	1	
8	6Y8-82509-10	WIRE, SUB LEAD FIL, SECONDAIRE	1	1	1	
9	93210-04279	O-RING JOINT TORIQUE	1	1	1	
10	90465-11M10	CLAMP BRIDE	1	1	1	
11	6Y8-8454G-00	PATCH 1 TAMPON 1	4	4	4	
12	90167-06M00	SCREW, TAPPING VIS, TETE FRAISEE	4	4	4	UR
	97880-06035	SCREW, PAN HEAD VIS, TETE TRONCONIQUE	4	4	4	UR
						UR
13	90201-06M30	WASHER, PLATE RONDELLE, PLATE	8	8	8	
14	95780-06300	NUT, FLANGE ECROU	4	4	4	
15	6Y8-82521-11	2FT PIGTAIL BUS FAISCEAU (L: 2FT.)	1	1	1	
16	6Y8-48277-00	STICKER 1 ETIQUETTE 1	4	4	4	
17	6Y8-82521-51	12FT PIGTAIL BUS FAISCEAU (L: 12FT.)			1	
18	6Y8-81920-11	IN-LINE HUB ASSY BORNE			2	
19	6Y8-82553-01	1FT MAIN BUS EXTENSION, FAISCEAU			1	
20	6Y5-83553-M0	WIRE, LEAD (L=2.5M) FIL (L=2.5M)			1	
21	1E6-82151-00	.FUSE (10A) .FUSIBLE (10A)			2	
22	6Y8-82117-00	WIRE, LEAD FIL			1	



6BG7100-N370

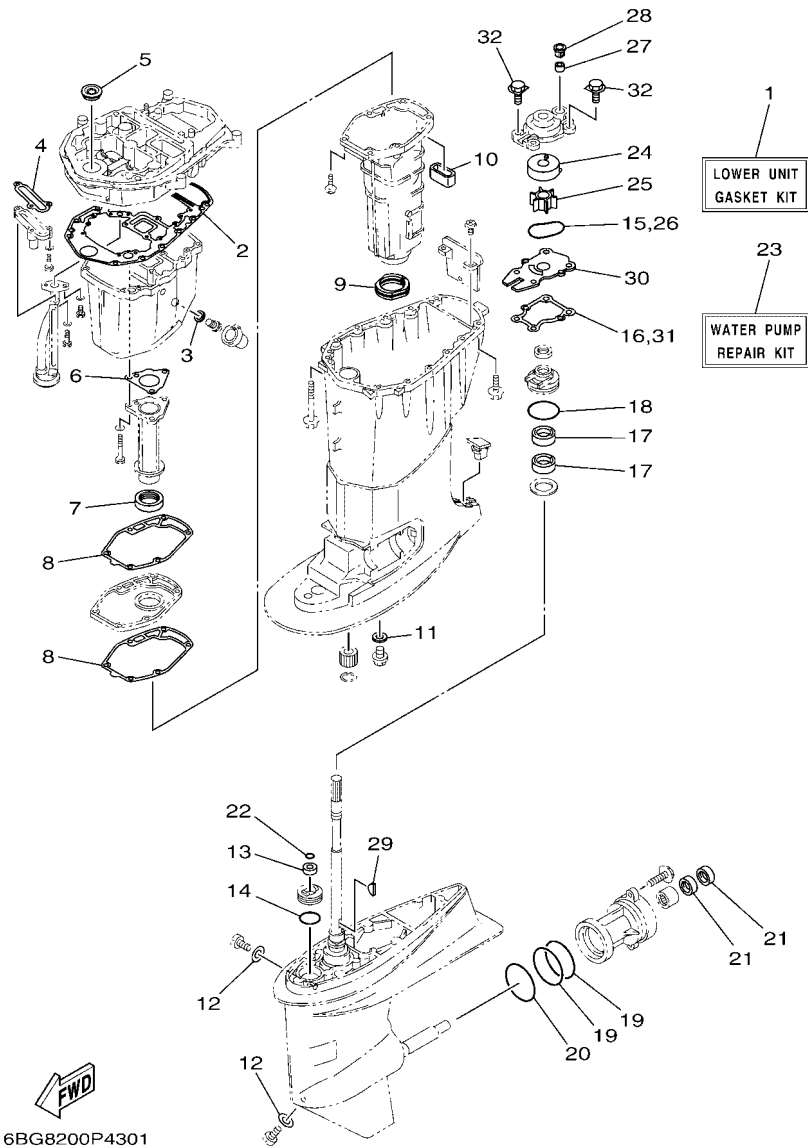
FIG. 37 REPAIR KIT 1

KITS DE REPARATION 1

REF. NO.	PART NO. N° PIECES	DESCRIPTION DESCRIPTION	ET	ED	EHD	REMARKS REMARQUES
1	6BG-W0001-01	POWER HEAD GASKET KIT POCHETTE DE JINTS TETE MOTRICE	1	1	1	
2	93102-37M40	.OIL SEAL .JOINT SPY	1	1	1	
3	93210-13M63	.O-RING .JOINT TORIQUE	3	3	3	
4	90430-06014	.GASKET .JOINT	1	1	1	
5	6BG-11181-00	.GASKET, CYLINDER HEAD 1 .JOINT, DE CULASSE 1	1	1	1	
6	6BG-11356-00	.SEAL, CYLINDER 2 .JOINT, SPY CYLINDRE	1	1	1	
7	93102-43M42	.OIL SEAL .JOINT SPY	1	1	1	
8	93101-35002	.OIL SEAL .JOINT SPY	1	1	1	
9	6BG-11351-00	.GASKET, CYLINDER .JOINT, D'EMBASE	1	1	1	
10	62Y-12414-00	.GASKET, COVER .JOINT, COUVERCLE	1	1	1	
11	6BG-41114-00	.GASKET, EXHAUST OUTER COVER .JOINT, COUVERCLE D'ECHAPPEMENT	1	1	1	
12	93210-13M63	.O-RING .JOINT TORIQUE	1	1	1	
13	90201-186F1	.WASHER, PLATE .RONDELLE, PLATE	1	1	1	
14	90430-14115	.GASKET .JOINT	2	2	2	
15	93210-42159	.O-RING .JOINT TORIQUE	1	1	1	
16	6C5-13329-00	.GASKET, PUMP COVER .JOINT, COUVERCLE DE POMPE	1	1	1	
17	93210-24M79	.O-RING .JOINT TORIQUE	1	1	1	
18	93210-24M79	.O-RING .JOINT TORIQUE	1	1	1	

FIG. 38 REPAIR KIT 2

KITS DE REPARATION 2

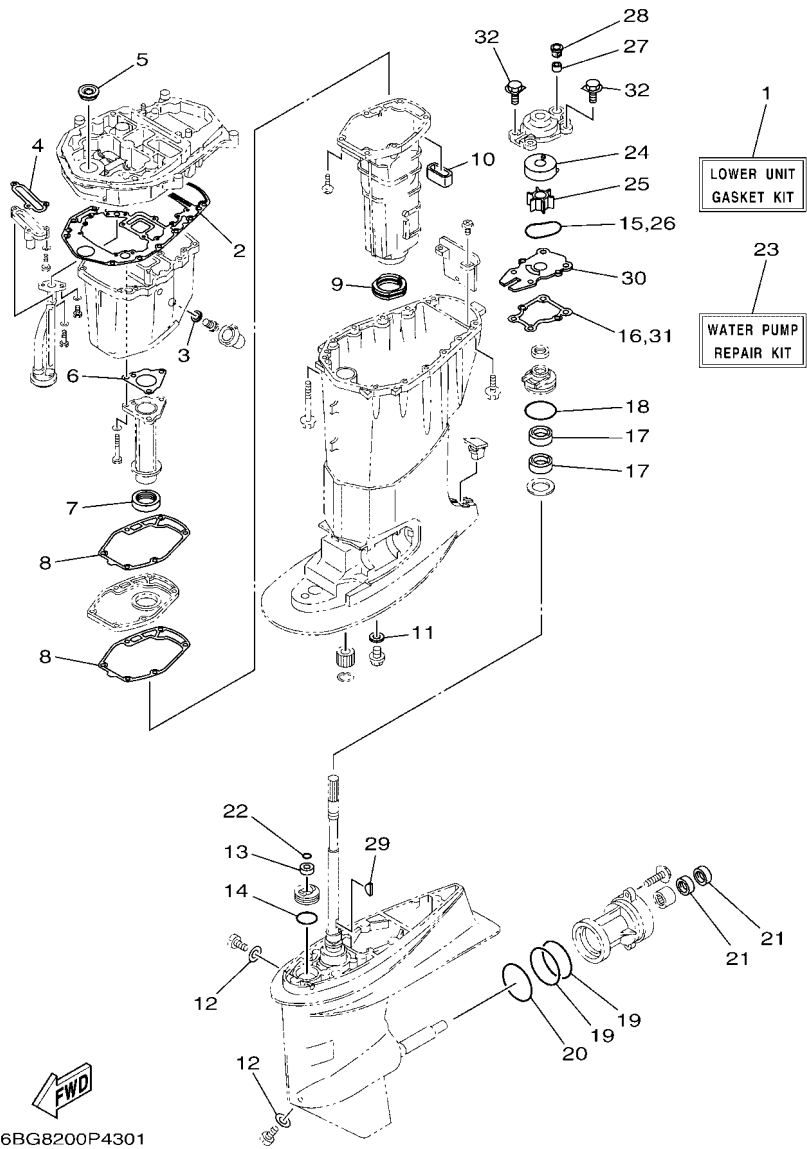


6BG8200P4301

REF. NO.	PART NO. N° PIECES	DESCRIPTION DESCRIPTION	Et	Ed	EHD	REMARKS REMARQUES
1	6BG-W0001-21	LOWER UNIT GASKET KIT POCHETTE DE JOINTS EMBASE	1	1	1	
2	69W-15312-00	.GASKET, OIL PAN .JOINT DE VENTILATEUR D'HUILE	1	1	1	
3	90430-14M09	.GASKET .JOINT	1	1	1	
4	62Y-13475-00	.GASKET .JOINT	1	1	1	
5	93103-16011	.OIL SEAL .JOINT SPY	1	1	1	
6	64J-41133-10	.GASKET, EXHAUST MANIFOLD 1 .JOINT, PIPE D'ECHAPPEMENT	1	1	1	
7	64J-46132-10	.GASKET 1 .JOINT 1	1	1	1	
8	6BG-41134-00	.GASKET, EXHAUST MANIFOLD .JOINT, PIPE D'ECHAPPEMENT	2	2	2	
9	67C-45123-00	.GASKET, MUFFLER .JOINT, POT DE DETENTE	1	1	1	
10	62Y-45127-00	.SEAL .JOINT	1	1	1	
11	90430-14M09	.GASKET .JOINT	1	1	1	
12	90430-08003	.GASKET .JOINT	2	2	2	
13	93106-09014	.OIL SEAL .JOINT SPY	1	1	1	
14	93210-33MG4	.O-RING .JOINT TORIQUE	1	1	1	
15	93210-59MG7	.O-RING .JOINT TORIQUE	1	1	1	
16	63D-44316-00	.GASKET, WATER PUMP .JOINT, POMPE A EAU	1	1	1	
17	93101-22M60	.OIL SEAL .JOINT SPY	2	2	2	
18	93210-48001	.O-RING .JOINT TORIQUE	1	1	1	
19	93210-74MG5	.O-RING .JOINT TORIQUE	2	2	2	
20	93210-69MG6	.O-RING .JOINT TORIQUE	1	1	1	
21	93101-22M00	.OIL SEAL .JOINT SPY	2	2	2	
22	93210-07003	.O-RING .JOINT TORIQUE	1	1	1	
23	6BG-W0078-00	WATER PUMP REPAIR KIT KIT DE REPARATION DE LA POMPE	1	1	1	
24	63D-44322-00	.INSERT, CARTRIDGE .CUVETTE	1	1	1	
25	6H4-44352-02	.IMPELLER .TURBINE	1	1	1	
26	93210-59MG7	.O-RING .JOINT TORIQUE	1	1	1	
27	663-44366-00	.DAMPER, WATER SEAL 2 .JOINT, TUBE D'EAU 2	1	1	1	

FIG. 38 REPAIR KIT 2

KITS DE REPARATION 2



REF. NO.	PART NO. N° PIECES	DESCRIPTION DESCRIPTION	ET	ED	EHD	REMARKS REMARQUES
28	63D-44312-00	.COVER, WATER PUMP HOUSING .COUVERCLE	1	1	1	
29	90280-03M03	.KEY, WOODRUFF .CLAVETTE, DEMI-LUNE	1	1	1	
30	63D-44323-00	.OUTER PLATE, CARTRIDGE .PLAQUE EXTERIEURE	1	1	1	
31	63D-44316-00	.GASKET, WATER PUMP .JOINT, POMPE A EAU	1	1	1	
32	90119-08M15	.BOLT, WITH WASHER .BOULON, AVEC RONDELLE	4	4	4	
<hr/>						
<hr/>						
<hr/>						
<hr/>						
<hr/>						
<hr/>						
<hr/>						
<hr/>						
<hr/>						