

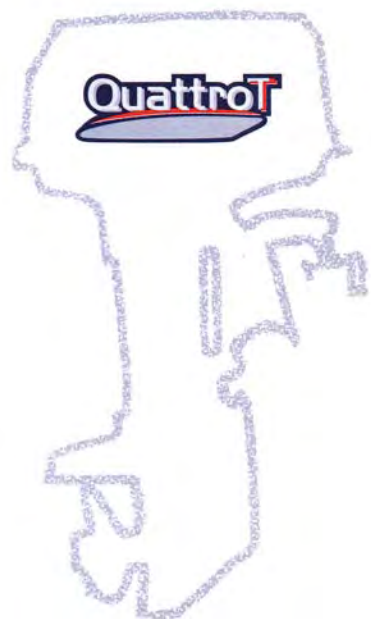
Aruana 40

Production year 2019

Production année 2019

PARTS CATALOGUE

CATALOGUE DE PIÈCES DÉTACHÉES



ENGINE STARTING SERIAL NUMBER: 1067572



FOREWORD

This Parts Catalogue is related to the parts for the model(s) on the cover page. When you are ordering replacement parts, please refer to this Parts Catalogue and quote both part numbers and part names correctly.

1. Modifications or additions which have been made after the issue of the Parts Catalogue will be announced in the Parts News.
It is advisable that you make the necessary corrections to the Parts Catalogue according to the Parts News.

2. Abbreviations

The following abbreviations are used in this Parts Catalogue.

“UR” Use specified parts number.

“UN” Use as many as needed.

“AP” Alternate Parts

“LM” Locally Made (Parts need to be ordered locally)

“F#” Frame No. (Applicable machine No.)

“O/S” Over Size

3. The number of components for assembly

- Parts, which are to be supplied in an assembly, are listed with a dot (.) in front of the part name as shown below.
- The numeral appearing to the right of each component part indicates the quantity of parts for each assembly unit.

PART NO.	DESCRIPTION	Q'TY	REMARKS
2F5-83310-60	FRONT FLASHER LIGHT ASSY	2	
115-83311-60	.BULB (6V-18W)	1	

4. Applicable colours of graphics are represented in the “REMARKS” as shown below.

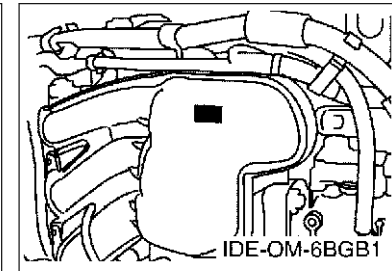
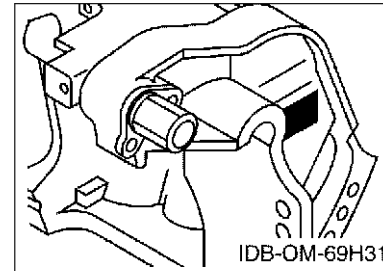
PART NO.	DESCRIPTION	Q'TY	REMARKS
2N4-24110-00-X5	FUEL TANK COMP.	2	MXR
3J1-24240-10	.GRAPHIC, FUEL TANK	1	FOR MXR

5. Note that the illustrations for reference in finding parts numbers are not to be used for assembling. When assembling, please use the applicable service manual.

6. The asterisk (*) before a reference number indicates modified items after the first edition.

7. Applicable Serial No.

Engine Serial No.



8. Applicable Engine Starting Serial No.

Model	Serial No.	Model	Serial No.
F30B	6BTK-1000511	F40F	6BGK-1002471

9. Applicable Colour Code

Abbreviation	Colour Name	Colour Code
DBN1	DARK BLUISH GRAY 1	008D

10. Quantity Column Information

Column No.	Name Of Q'ty Column	Applicable Model
1	ET	F30BET, F40FET
2	ED	F40FED
3	EHD	F30BEHD, F40FEHD

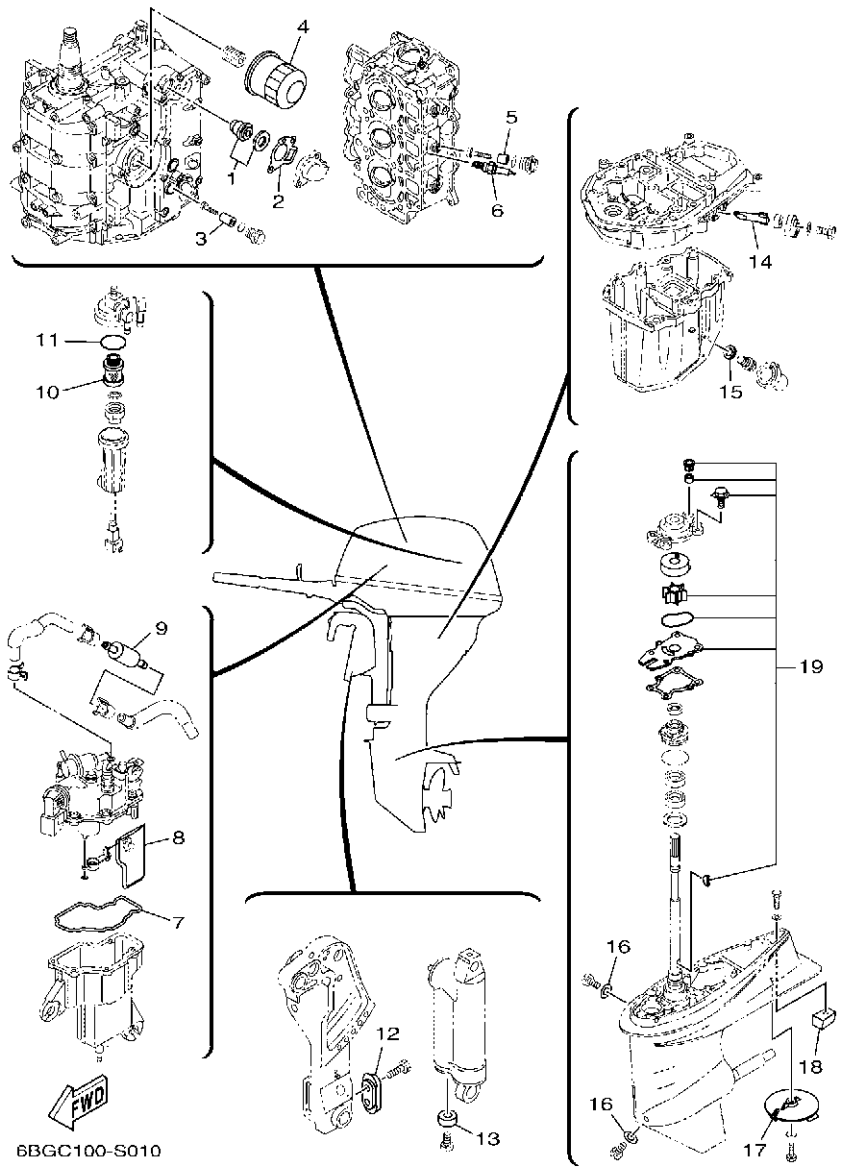
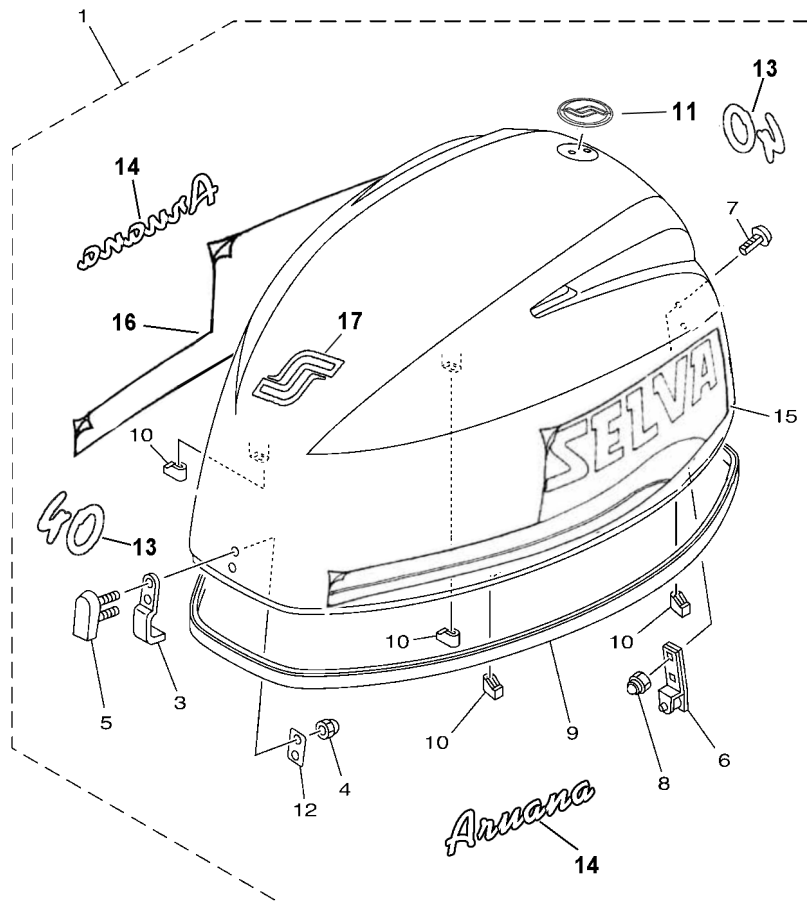


FIG. 1 SCHEDULED SERVICE PARTS

PIECES MAINTENANCE PERIODIQUE

REF. NO.	PART NO. N° PIECES	DESCRIPTION DESCRIPTION	ET	ED	EHD	REMARKS REMARQUES
1	6G8-12411-03	THERMOSTAT THERMOSTAT	1	1	1	
2	62Y-12414-00	GASKET, COVER JOINT, COUVERCLE	1	1	1	
3	6G8-11325-00	ANODE ANODE	1	1	1	
4	5GH-13440-60	ELEMENT ASSY, OIL CLEANER ELEMENT, FILTRE A HUILE	1	1	1	
5	6G8-11325-00	ANODE ANODE	3	3	3	
6	94702-00418	PLUG, SPARK (NGK DPR6EB-9) BOUGIE D, ALLUMAGE (NGK DPR6EB-	3	3	3	
7	6BG-14984-00	GASKET, FLOAT CHAMBER JOINT, CUVE DE FLOTTEUR	1	1	1	
8	6BG-13915-01	FILTER FILTRE	1	1	1	
9	6C5-24251-00	STRAINER 1 FILTRE 1	1	1	1	
10	6D8-24563-00	ELEMENT, FILTER ELEMENT, FILTRE	1	1	1	
11	6D8-24564-00	GASKET JOINT	1	1	1	
12	65W-45251-00	ANODE ANODE	1	1	1	
13	663-45251-00	ANODE ANODE		1	1	
14	62Y-11325-00	ANODE ANODE	1	1	1	
15	90430-14M09	GASKET JOINT	1	1	1	
16	90430-08003	GASKET JOINT	2	2	2	
17	67C-45371-00	TAB-TRIM ANODE DERIVE	1	1	1	
18	67C-45251-00	ANODE ANODE	1	1	1	
19	6BG-W0078-00	WATER PUMP REPAIR KIT KIT DE REPARATION DE LA POMPE	1	1	1	



6BGA100-R020

FIG. 2 TOP COWLING

CAPOT SUPERIEUR

REF. NO.	PART NO. N° PIECES	DESCRIPTION DESCRIPTION	U1	U2	EHD	REMARKS REMARQUES
1	1504760	TOP COWLING ASSY CAPOT (ENS.)	1	1	1	
3	6BG-42651-00	..HOOK ..CROCHET	1	1	1	
4	95380-05800	..NUT ..ECROU	2	2	2	
5	6BG-42851-00	..COVER, CLAMP ..COUVERCLE, BRIDE	1	1	1	
6	6BG-42652-00	..HOOK ..CROCHET	1	1	1	
7	90109-06047	..BOLT ..BOULON	2	2	2	
8	90185-06M05	..NUT, SELF-LOCKING ..ECROU, AUTO-BLOQUANT	2	2	2	
9	6BG-42615-00	..SEAL ..JOINT	1	1	1	
10	6BG-42662-00	..DAMPER ..AMORTISSEUR	4	4	4	
11	8093510	..SELVA MARK ..MARQUE, SELVA	1	1	1	
12	6BG-42649-00	..HOLDER, CLAMP BAND ..SUPPORT, SANDOW DE SERRAGE	1	1	1	
13	8093160	..GRAPHIC, 40 ..ADHESIF, 40	2	2	2	
14	8093155	..GRAPHIC, ARUANA ..ADHESIF, ARUANA	2		2	
15	8093145	..GRAPHIC, LEFT ..ADHESIF, GAUCHE	1	1	1	
16	8093150	..GRAPHIC, RIGHT ..ADHESIF, DROIT	1		1	
17	8093516	..GRAPHIC, S ..ADHESIF, S	1	1	1	
	1534330	..GRAPHIC, SET ..JEU D'EMBLEME	1	1	1	

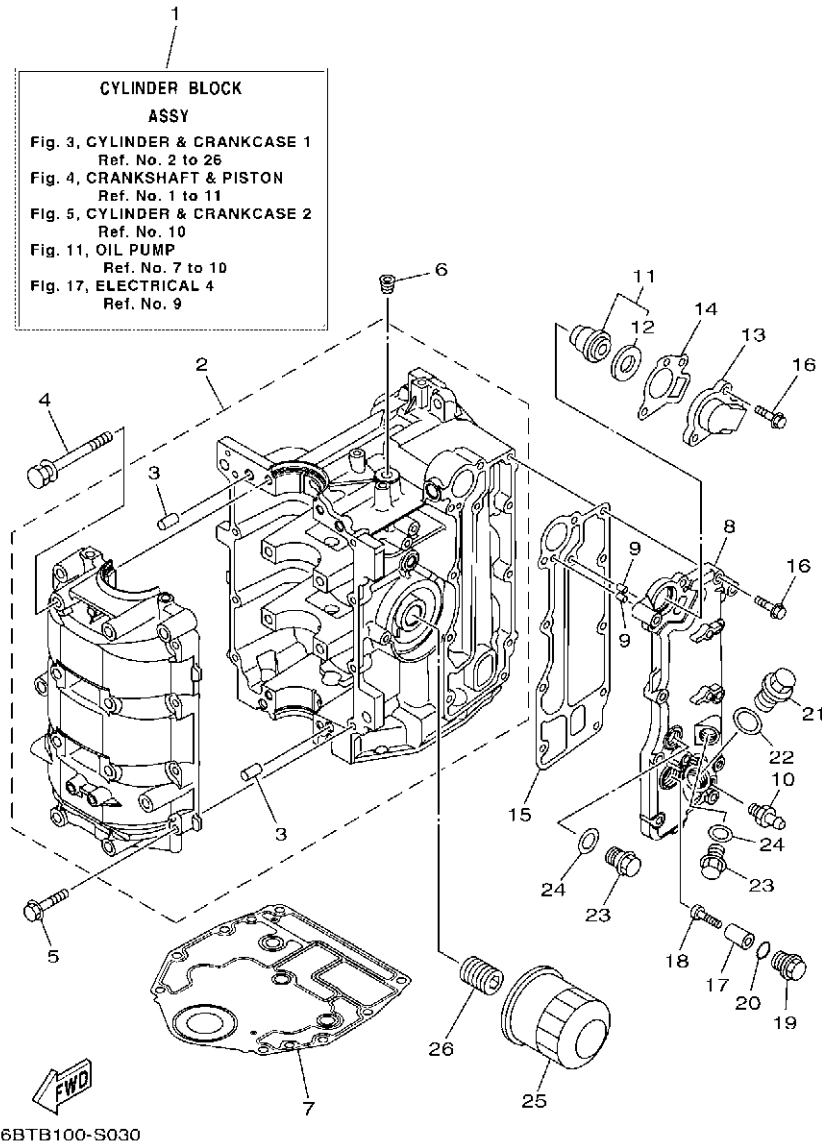
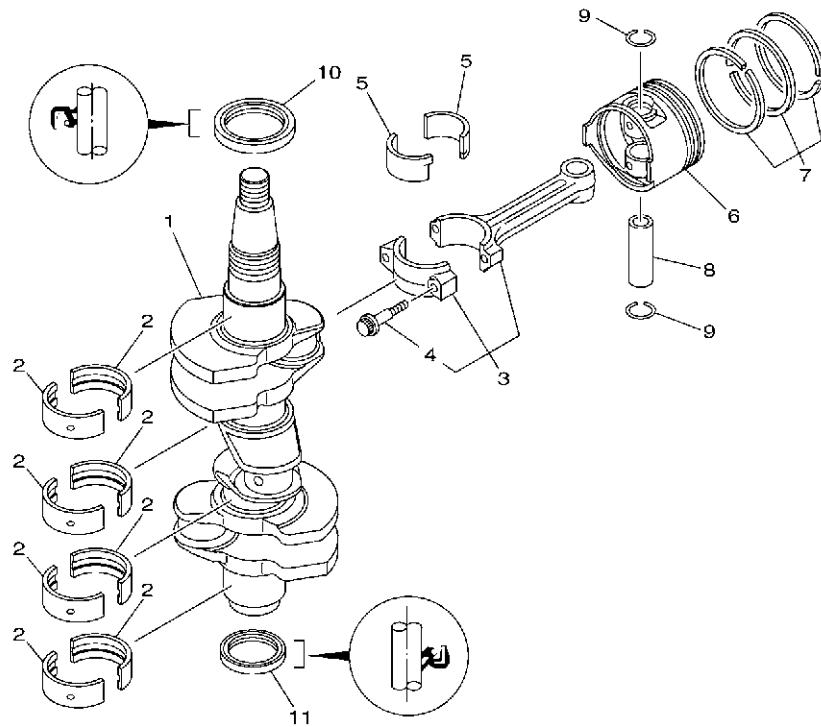


FIG. 3 CYLINDER & CRANKCASE 1

CYLINDRE & CARTER 1

REF. NO.	PART NO. N° PIECES	DESCRIPTION DESCRIPTION	ET	ED	EHD	REMARKS REMARQUES
1	6BG-W009B-01-1S	CYLINDER BLOCK ASSY CYLINDRE GROUPE (ENS.)	1	1	1	
2	6BG-15109-01-1S	CRANKCASE ASSY CARTER DE MOTEUR COMPLET	1	1	1	
3	93606-12019	.PIN, DOWEL .GOUPILLE	4	4	4	
4	90119-08154	BOLT, WITH WASHER BOULON, AVEC RONDELLE	8	8	8	
5	97513-06535	BOLT, WITH WASHER VIS HEXAGONAL AVC RONDELLE	8	8	8	
6	90344-51003	PLUG, TAPER SCREW PLOT, FILETE CONIQUE	1	1	1	
7	6BG-11351-00	GASKET, CYLINDER JOINT, D'EMBASE	1	1	1	
8	6BG-41113-00-1S	OUTER COVER, EXHAUST COUVERCLE, ECHAPPEMENT	1	1	1	
9	93604-10M03	PIN, DOWEL CLAVETTE	2	2	2	
10	62Y-12481-10	PIPE 1 DURITE 1	1	1	1	
11	6G8-12411-03	THERMOSTAT THERMOSTAT	1	1	1	
12	688-12412-00	.SEAL, THERMOSTAT .JOINT, THERMOSTAT	1	1	1	
13	6BG-12413-00-1S	COVER, THERMOSTAT COUVERCLE, THERMOSTAT	1	1	1	
14	62Y-12414-00	GASKET, COVER JOINT, COUVERCLE	1	1	1	
15	6BG-41114-00	GASKET, EXHAUST OUTER COVER JOINT, COUVERCLE D'ECHAPPEMENT	1	1	1	
16	90119-06MA5	BOLT, WITH WASHER BOULON, AVEC RONDELLE	10	10	10	
17	6G8-11325-00	ANODE ANODE	1	1	1	
18	98980-05025	SCREW, BIND VIS, DE PRESSION	1	1	1	
19	6G8-11197-A0	PLUG, BLIND PLOT, BORGNE	1	1	1	
20	93210-13M63	O-RING JOINT TORIQUE	1	1	1	
21	90340-18M09	PLUG, STRAIGHT SCREW PLOT, FILETE DROIT	1	1	1	
22	90201-186F1	WASHER, PLATE RONDELLE, PLATE	1	1	1	
23	90340-14M06	PLUG, STRAIGHT SCREW PLOT, FILETE DROIT	2	2	2	
24	90430-14115	GASKET JOINT	2	2	2	
25	5GH-13440-60	ELEMENT ASSY, OIL CLEANER ELEMENT, FILTRE A HUILE	1	1	1	
26	6C5-12858-A0	BOLT, UNION BOULON, RACCORD	1	1	1	




6BG1100-H030

FIG. 4 CRANKSHAFT & PISTON

VILEBREQUIN & PISTON

REF. NO.	PART NO. N° PIECES	DESCRIPTION DESCRIPTION	Et	Ed	Ehd	REMARKS REMARQUES
1	6BG-11411-00	CRANKSHAFT VILEBREQUIN COMPLET	1	1	1	
2	6BG-11416-00	PLANE BEARING, CRANKSHAFT 1 COUSSINET DE VILEBREQUIN 1	8	8	8	UR YELLOW UR YELLOW
	6BG-11416-10	PLANE BEARING, CRANKSHAFT 1 COUSSINET DE VILEBREQUIN 1	8	8	8	UR RED UR RED
	6BG-11416-20	PLANE BEARING, CRANKSHAFT 1 COUSSINET DE VILEBREQUIN 1	8	8	8	UR PINK UR PINK
	6BG-11416-30	PLANE BEARING, CRANKSHAFT 1 COUSSINET DE VILEBREQUIN 1	8	8	8	UR GREEN UR GREEN
3	6C5-11650-10	CONNECTING ROD ASSY BIELLE COMPLETE	3	3	3	
4	6C5-11654-00	.BOLT, CONNECTING ROD .BOULON, BIELLE	2	2	2	
5	6CJ-11656-00	PLANE BEARING, CONNECTING ROD ROULEMENT DE BIELLE	6	6	6	UR YELLOW UR YELLOW
	6CJ-11656-10	PLANE BEARING, CONNECTING ROD ROULEMENT DE BIELLE	6	6	6	UR RED UR RED
	6CJ-11656-20	PLANE BEARING, CONNECTING ROD ROULEMENT DE BIELLE	6	6	6	UR PINK UR PINK
	6CJ-11656-30	PLANE BEARING, CONNECTING ROD ROULEMENT DE BIELLE	6	6	6	UR GREEN UR GREEN
6	69W-11631-01-97	PISTON (STD) PISTON (STD)	3	3	3	
	69W-11635-01	PISTON (0.25MM O/S) PISTON (0.25MM O/S)	3	3	3	AP AP
	69W-11636-01	PISTON (0.50MM O/S) PISTON (0.50MM O/S)	3	3	3	AP AP
7	67C-11603-00	PISTON RING SET (STD) JEU DE SEGMENTS (STD)	3	3	3	
	67C-11604-00	PISTON RING SET (0.25MM O/S) JEU DE SEGMENTS (0.25MM O/S)	3	3	3	AP AP
	67C-11605-00	PISTON RING SET (0.50MM O/S) JEU DE SEGMENTS (0.50MM O/S)	3	3	3	AP AP
8	62Y-11633-00	PIN, PISTON AXE, PISTON	3	3	3	
9	93450-17129	CIRCLIP CIRCLIP	6	6	6	
10	93102-43M42	OIL SEAL JOINT SPY	1	1	1	
11	93101-35002	OIL SEAL JOINT SPY	1	1	1	

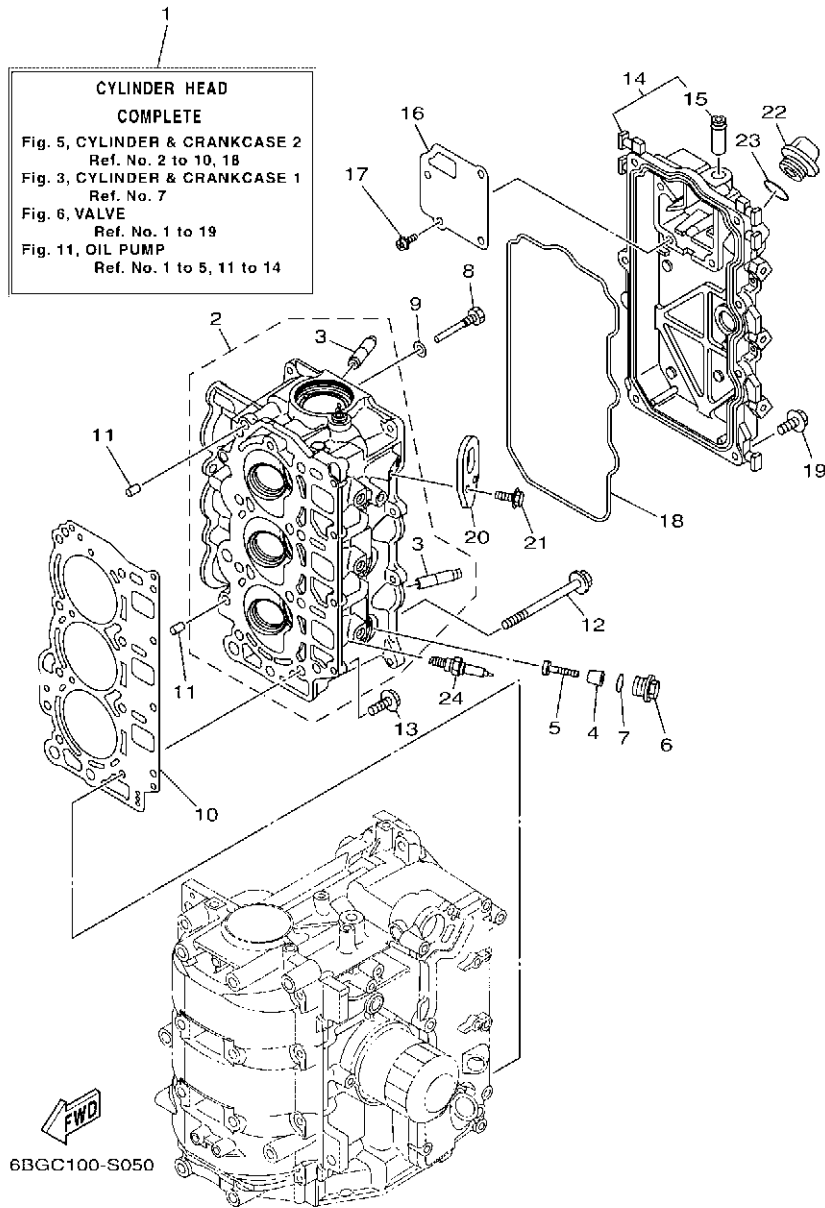
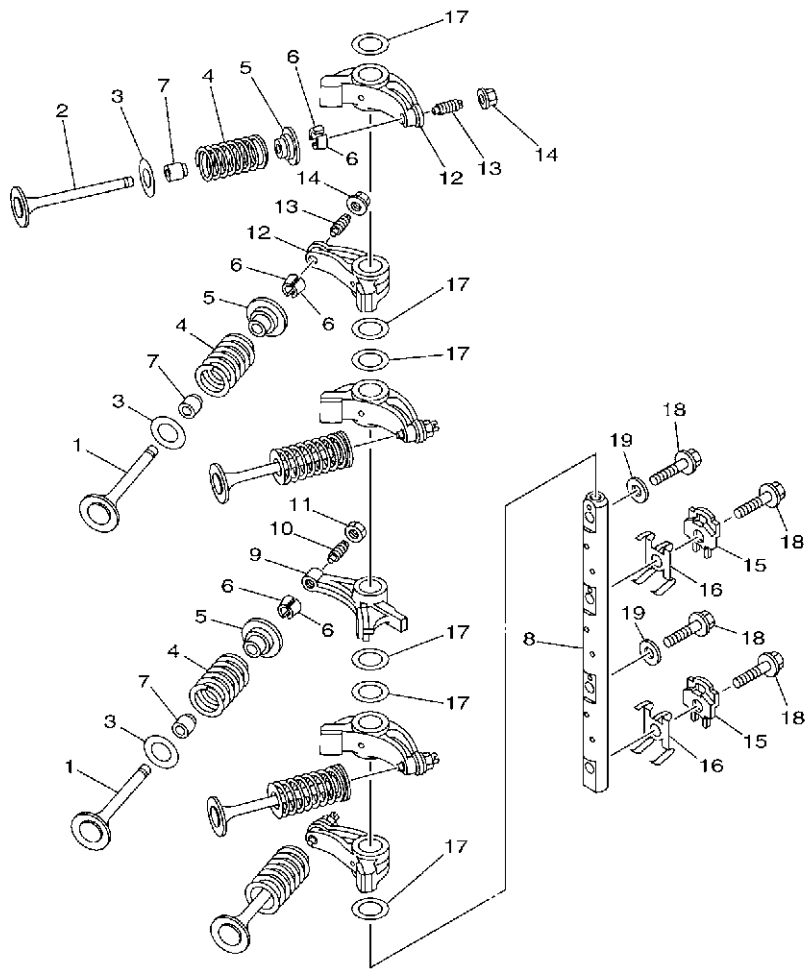


FIG. 5 CYLINDER & CRANKCASE 2

CYLINDRE & CARTER 2

REF. NO.	PART NO. N° PIECES	DESCRIPTION DESCRIPTION	Et	Ed	EHD	REMARKS REMARQUES
1	6BG-W009A-03-1S	CYLINDER HEAD COMPLETE CULASSE (ENS.)	1	1	1	
2	6BG-11111-11-1S	HEAD, CYLINDER 1 CULASSE, 1	1	1	1	
3	62Y-11133-30	.GUIDE, VALVE 1 .GUIDE, SOUPAPE 1	6	6	6	
4	6G8-11325-00	ANODE ANODE	3	3	3	
5	98980-05025	SCREW, BIND VIS, DE PRESSION	3	3	3	
6	6G8-11197-A0	PLUG, BLIND PLOT, BORGNE	3	3	3	
7	93210-13M63	O-RING JOINT TORIQUE	3	3	3	
8	90109-06M65	BOLT BOULON	1	1	1	
9	90430-06014	GASKET JOINT	1	1	1	
10	6BG-11181-00	GASKET, CYLINDER HEAD 1 JOINT, DE CULASSE 1	1	1	1	
11	99530-08012	PIN, DOWEL GOUJON, D'ASSEMBLAGE	2	2	2	
12	90105-09009	BOLT, FLANGE BOULON, A COLLERETTE	8	8	8	
13	90119-06MA3	BOLT, WITH WASHER BOULON, AVEC RONDELLE	4	4	4	
14	6BG-11191-10-1S	COVER, CYLINDER HEAD 1 COUVERCLE, CULASSE 1	1	1	1	
15	62Y-14485-00	.PIPE, JOINT .DURITE	1	1	1	
16	6BG-11168-00	COVER, BREATHER COUVERCLE, RENIFLARD	1	1	1	
17	97607-04210	SCREW, WITH WASHER VIS, AVEC RONDELLE	4	4	4	
18	6BG-11356-00	SEAL, CYLINDER 2 JOINT, SPY CYLINDRE	1	1	1	
19	97E95-06520	BOLT, HEXAGON W/W DEEP RECESS VIS HEXAGONAL AVC RONDELLE	7	7	7	
20	6BG-11119-00	HANGER, ENGINE ANNEAU, LEVAGE	1	1	1	
21	97E95-06520	BOLT, HEXAGON W/W DEEP RECESS VIS HEXAGONAL AVC RONDELLE	2	2	2	
22	6G8-15363-00	PLUG, OIL PLOT, HUILE	1	1	1	
23	93210-24M79	O-RING JOINT TORIQUE	1	1	1	
24	94702-00418	PLUG, SPARK (NGK DPR6EB-9) BOUGIE D, ALLUMAGE (NGK DPR6EB-	3	3	3	



6BG1100-H050

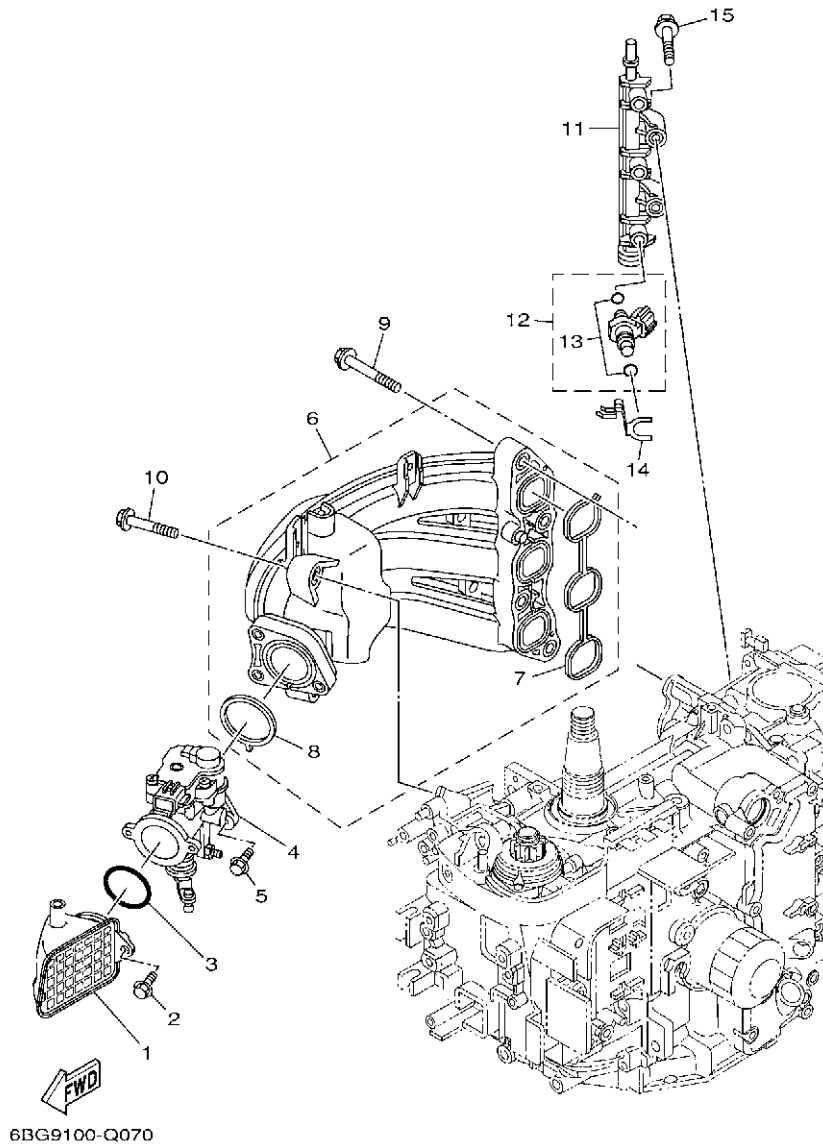
FIG. 6 VALVE

SOUPAPE

REF. NO.	PART NO. N° PIECES	DESCRIPTION DESCRIPTION	U	D	EHD	REMARKS REMARQUES
1	69W-12111-00	VALVE, INTAKE SOUPAPE, ADMISSION	3	3	3	
2	69W-12121-10	VALVE, EXHAUST SOUPAPE, ECHAPPEMENT	3	3	3	
3	62Y-12116-00	SEAT, VALVE SPRING SIEGE, RESSORT DE SOUPAPE	6	6	6	
4	51Y-12114-00	SPRING, VALVE OUTER RESSORT DE SOUPAPE, EXTERNE	6	6	6	
5	30X-12117-00	RETAINER, VALVE SPRING BUTEE DE RESSORT DE SOUPAPE	6	6	6	
6	30X-12118-00	LOCK, VALVE SPRING RETAINER FRAISE, SOUPAPE	12	12	12	
7	51Y-12119-00	SEAL, VALVE STEM JOINT, QUEUE DE SOUPAPE	6	6	6	
8	6BG-12146-00	SHAFT, ROCKER AXE, CULBUTEUR	1	1	1	
9	62Y-12151-00	ARM, VALVE ROCKER CULBUTEUR	1	1	1	
10	64J-12159-00	SCREW, VALVE ADJUSTING VIS, REGLAGE DE SOUPAPE	1	1	1	
11	62Y-12158-00	NUT, LOCK CONTRE-ECROU	1	1	1	
12	6C5-12151-00	ARM, VALVE ROCKER CULBUTEUR	5	5	5	
13	6C5-12159-00	SCREW, VALVE ADJUSTING VIS, REGLAGE DE SOUPAPE	5	5	5	
14	6C5-12158-00	NUT, LOCK CONTRE-ECROU	5	5	5	
15	6C5-12231-00	GUIDE, STOPPER 1 GUIDE, BUTEE 1	2	2	2	
16	6C5-12233-00	PLATE, GUIDE STOPPER 1 PLAQUE, GUIDE BUTEE 1	2	2	2	
17	90201-16014	WASHER, PLATE RONDELLE, PLATE	6	6	6	
18	90105-08060	BOLT, FLANGE BOULON, A COLLERETTE	4	4	4	
19	92990-08200	WASHER, PLAIN RONDELLE, PLATE	2	2	2	

FIG. 7 INTAKE 1

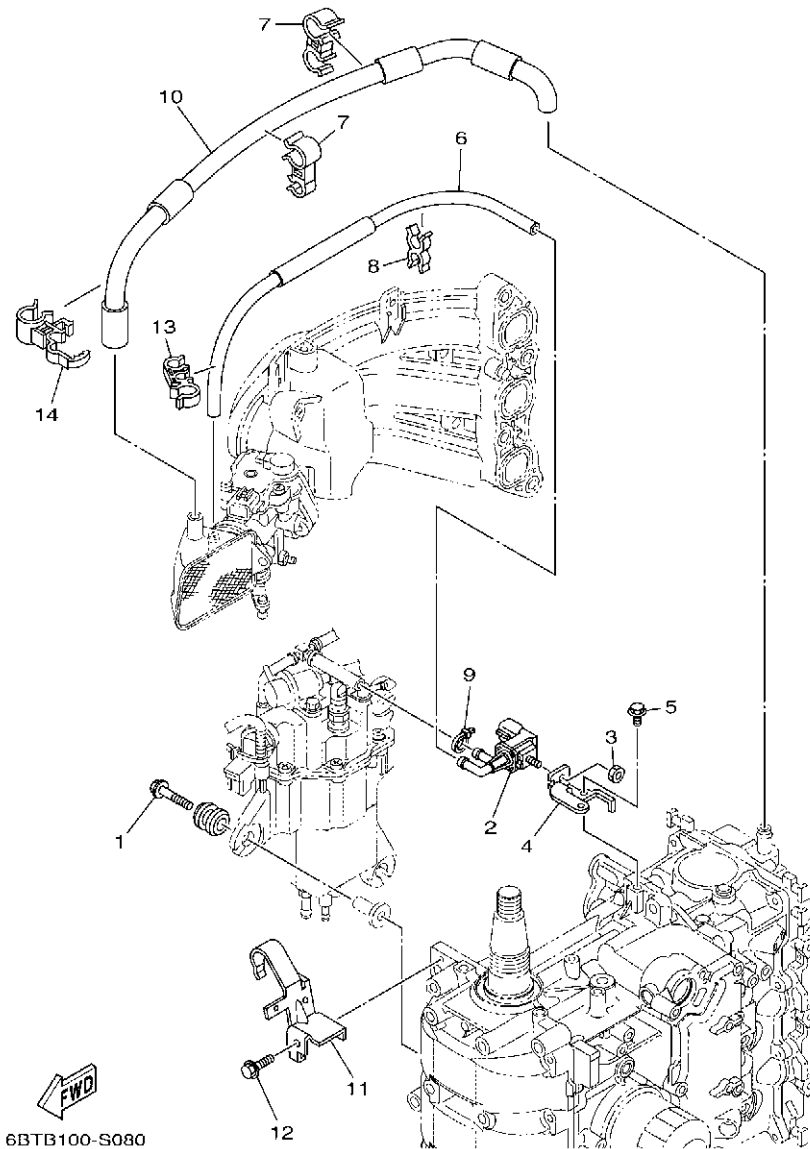
ADMISSION 1



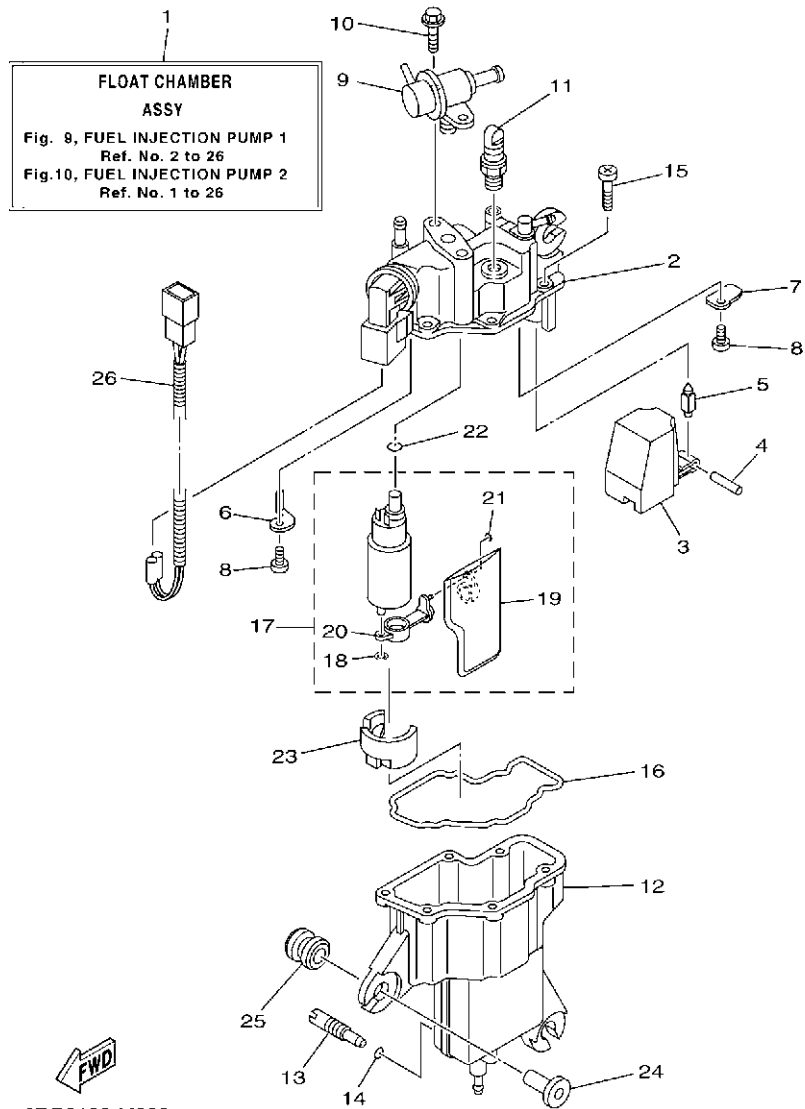
REF. NO.	PART NO. N° PIECES	DESCRIPTION DESCRIPTION	Et	Ed	Ehd	REMARKS REMARQUES
1	6BG-14440-A0	SILENCER ASSY, INTAKE SIENCIEUX D'ADMISSION	1	1	1	F40F
	6BT-14440-A0	SILENCER ASSY, INTAKE SIENCIEUX D'ADMISSION	1	1		F40F F30B F30B
2	95D95-06016	BOLT, FLANGE DEEP RECESS BOULON FIXATION	2	2	2	
3	93210-42159	O-RING JOINT TORIQUE	1	1	1	
4	6BG-13750-02	THROTTLE BODY ASSY CARTER D'ACCELERATEUR COMPLET	1	1	1	
5	95D95-06016	BOLT, FLANGE DEEP RECESS BOULON FIXATION	3	3	3	
6	6BG-13641-01	MANIFOLD, INTAKE 1 TUBULURE, ADMISSION 1	1	1	1	
7	6BG-13645-00	.GASKET, MANIFOLD 1 .JOINT, TUBULURE 1	1	1	1	
8	6BG-13557-00	.GASKET .JOINT	1	1	1	
9	90119-08069	BOLT, WITH WASHER BOULON, AVEC RONDELLE	4	4	4	
10	90119-06126	BOLT, WITH WASHER BOULON, AVEC RONDELLE	2	2	2	
11	6BG-13161-00	PIPE, DELIVERY 1 DURITE REFOULEMENT 1	1	1	1	
12	6BG-13761-00	INJECTOR INJECTEUR	3	3	3	
13	6C5-1410B-00	.PACKING KIT .POCHETTE DE JOINTS	1	1	1	
14	6BG-13577-00	CLIP AGRAFE	3	3	3	
15	95D95-06040	BOLT, FLANGE DEEP RECESS BOULON FIXATION	2	2	2	

FIG. 8 INTAKE 2

ADMISSION 2



REF. NO.	PART NO. N° PIECES	DESCRIPTION DESCRIPTION	ET	ED	EHD	REMARKS REMARQUES
1	90119-06M61	BOLT, WITH WASHER BOULON, AVEC RONDELLE	3	3	3	
2	6C5-86120-00	SOLENOID VALVE ASSY SOLENOIDE	1	1	1	
3	95380-06600	NUT, HEXAGON ECROU	1	1	1	
4	6BG-86112-10	STAY, SOLENOID SUPPORT, SOLENOIDE	1	1	1	
5	97E95-06516	BOLT, HEXAGON W/W DEEP RECESS VIS HEXAGONAL AVEC RONDELLE	1	1	1	
6	6BG-12576-00	HOSE 1 TUYAU 1	1	1	1	
7	90464-15007	CLAMP BRIDE	2	2	2	
8	90464-11M24	CLAMP BRIDE	1	1	1	
9	90465-11M10	CLAMP BRIDE	1	1	1	
10	6BG-1531A-00	HOSE, BREATHER 1 DURITE DE RENIFLARD 1	1	1	1	
11	6BG-15378-00	HOLDER SUPPORT	1	1	1	
12	90119-06037	BOLT, WITH WASHER BOULON, AVEC RONDELLE	1	1	1	
13	90464-15008	CLAMP BRIDE	1	1	1	
14	90464-15011	CLAMP BRIDE	1	1	1	



6BG6100-M090

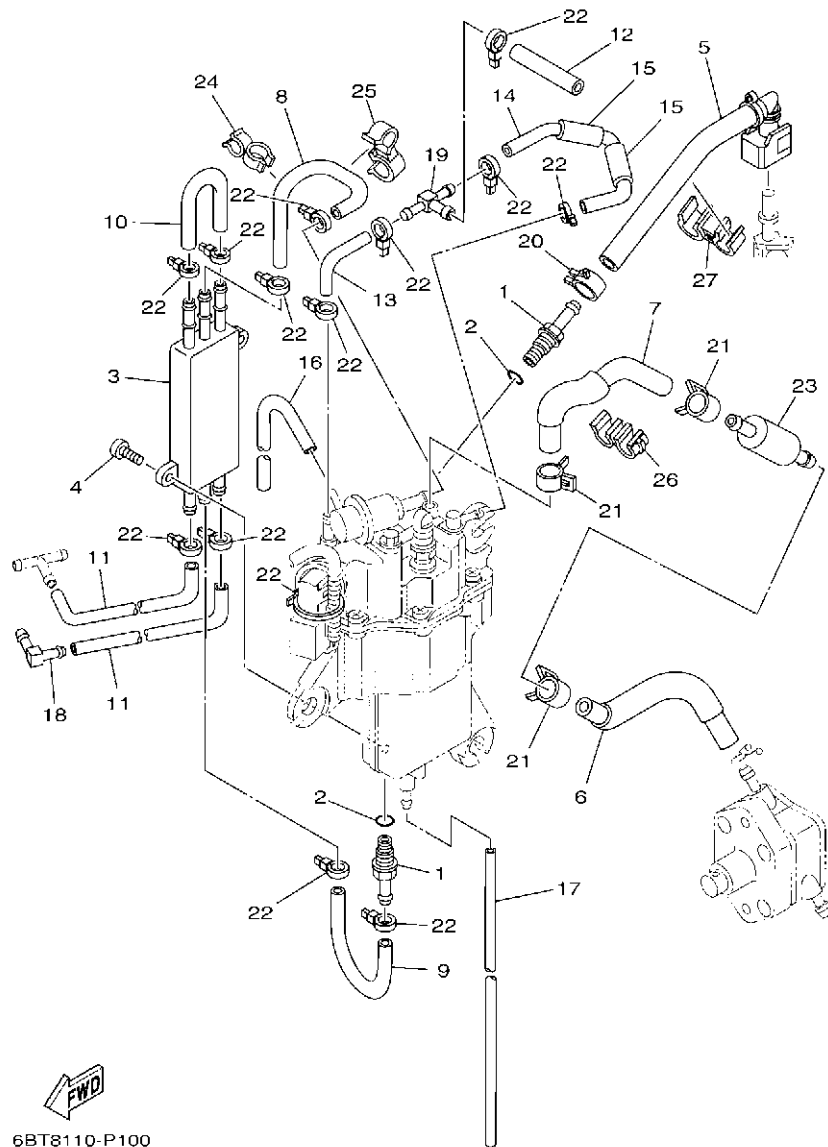
FIG. 9 FUEL INJECTION PUMP 1

POMPE A INJECTEUR 1

REF. NO.	PART NO. N° PIECES	DESCRIPTION DESCRIPTION	ET	ED	EHD	REMARKS REMARQUES
1	6BG-14180-05	FLOAT CHAMBER ASSY CUVE DE FLOTTEUR	1	1	1	
2	6BG-14182-10	COVER, FLOAT CHAMBER COUVERCLE, CUVE DE FLOTTEUR	1	1	1	
3	6BG-14985-00	FLOAT FLOTTEUR	1	1	1	
4	6C5-14386-00	PIN, FLOAT AXE, FLOTTEUR	1	1	1	
5	6C5-14546-10	VALVE, NEEDLE POINTEAU	1	1	1	
6	6BG-2441R-10	PLATE, BAFFLE 1 SEPARATEUR 1	1	1	1	
7	6BG-2441T-10	PLATE, BAFFLE 2 SEPARATEUR 2	1	1	1	
8	6C5-24453-00	SCREW VIS	2	2	2	
9	6C5-13906-01	REGULATOR, PRESSURE REGULATEUR DE PRESSION	1	1	1	
10	6C5-24592-00	BOLT BOLTE	2	2	2	
11	6C5-14225-00	CAP COUVERCLE	1	1	1	
12	6BG-14960-10	BODY ASSY CARTER (ENS.)	1	1	1	
13	6C5-14191-00	PLUG, DRAIN PLOT, VIDANGE	1	1	1	
14	6C5-14397-00	O-RING JOINT TORIQUE	1	1	1	
15	6C5-14567-00	SCREW VIS	6	6	6	
16	6BG-14984-00	GASKET, FLOAT CHAMBER JOINT, CUVE DE FLOTTEUR	1	1	1	
17	6BG-13910-03	FUEL PUMP ASSY POMPE A ESSENCE COMPLET	1	1	1	
18	6C5-14127-10	.CLIP .JONC	1	1	1	
19	6BG-13915-01	.FILTER .FILTRE	1	1	1	
20	6BG-13938-00	.PIPE .DURITE	1	1	1	
21	6BG-14137-00	.CLIP .JONC	1	1	1	
22	6BG-14561-00	O-RING JOINT TORIQUE	1	1	1	
23	6BG-13593-00	DAMPER AMORTISSEUR	1	1	1	
24	90387-06M69	COLLAR COLLERETTE	3	3	3	
25	90480-09M12	GROMMET PASSE-FIL	3	3	3	
26	6BG-82553-00	EXTENSION, WIRE LEAD EXTENSION, FAISCEAU	1	1	1	

FIG. 10 FUEL INJECTION PUMP 2

POMPE A INJECTEUR 2

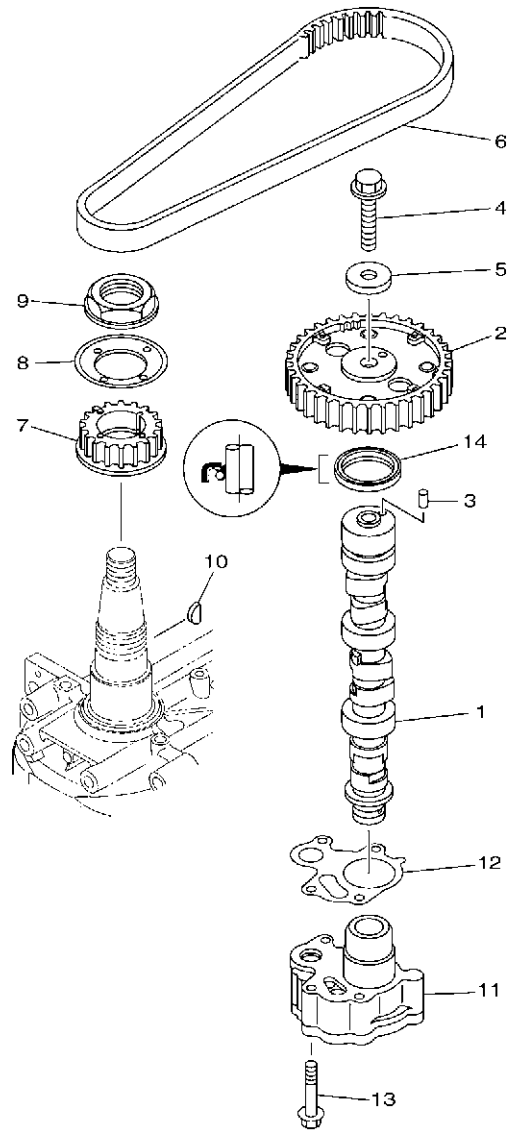


6BT8110-P100

REF. NO.	PART NO. N° PIECES	DESCRIPTION DESCRIPTION	EL	ED	EHD	REMARKS REMARQUES
1	6C5-14251-00	NIPPLE RACCORD	2	2	2	
2	6C5-13739-00	O-RING JOINT TORIQUE	2	2	2	
3	6C5-21841-01	COOLER RADIATEUR	1	1	1	
4	6C5-24444-00	SCREW VIS	2	2	2	
5	6BG-13974-00	PIPE, FUEL 4 TUBE 4, CARBURANT	1	1	1	
6	6BG-2451B-00	HOSE, FUEL INLET DURITE	1	1	1	
7	6BG-14148-00	PIPE DURITE	1	1	1	
8	6BG-24321-00	PIPE 10 DURITE 10	1	1	1	
9	6BG-24322-00	PIPE 11 DURITE 11	1	1	1	
10	6BG-24323-00	PIPE 12 DURITE 12	1	1	1	
11	6BG-24324-00	PIPE 13 DURITE 13	2	2	2	
12	6C5-13547-00	HOSE 3 DURITE 3	1	1	1	
13	6BG-13545-00	HOSE 1 DURITE 1	1	1	1	
14	6BG-13546-00	HOSE 2 DURITE 2	1	1	1	
15	6BG-13548-00	HOSE, AIR 4 DURITE, A AIR 4	2	2	2	
16	6BG-13542-00	HOSE, VACUUM SENSING 1 DURITE, SOUS VIDE DETECTION 1	1	1	1	
17	6BG-14149-00	PIPE DURITE	1	1	1	
18	6C5-1410F-00	NIPPLE, 1 RACCORD, 1	1	1	1	
19	6C5-24379-00	PIPE, JOINT 4 DURITE RACCORDEMENT 4	1	1	1	
20	6C5-13577-00	CLIP AGRAFE	1	1	1	
21	6BG-24387-00	CLIP SANDOW	3	3	3	
22	90465-11M10	CLAMP BRIDE	14	14	14	
23	6C5-24251-00	STRAINER 1 FILTRE 1	1	1	1	
24	90464-12006	CLAMP BRIDE	1	1	1	
25	90464-12010	CLAMP BRIDE	1	1	1	
26	90464-12224	CLAMP BRIDE	1	1	1	
27	90464-15007	CLAMP BRIDE	1	1	1	

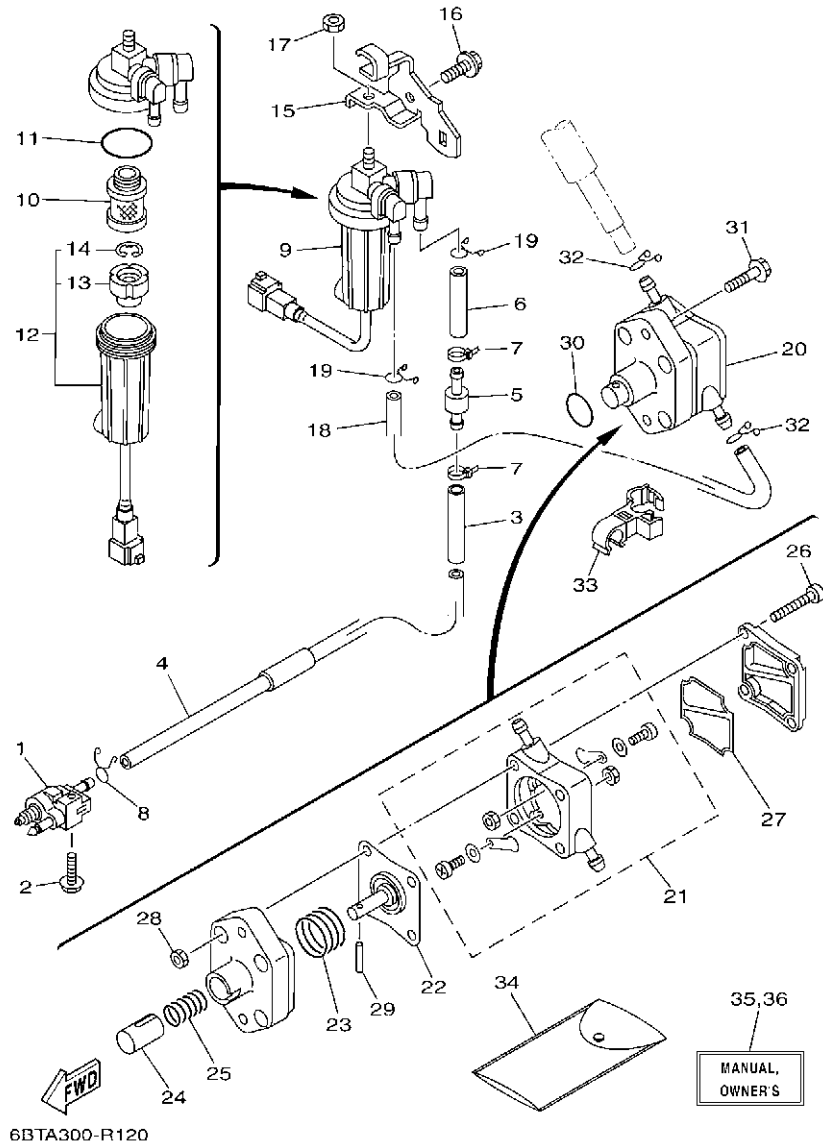
FIG. 11 OIL PUMP

POMPE A HUILE




6BG9100-Q110

REF. NO.	PART NO. N° PIECES	DESCRIPTION DESCRIPTION	ET	ED	EHD	REMARKS REMARQUES
1	6BG-12171-01	CAMSHAFT 1 ARBRE A CAMES 1	1	1	1	
2	6C5-11537-10	GEAR, DRIVEN PIGNON SECONDAIRE	1	1	1	
3	93605-17002	PIN, DOWEL AXE	1	1	1	
4	95817-10035	BOLT, FLANGE BOULON, A COLLERETTE	1	1	1	
5	90201-10144	WASHER, PLATE RONDELLE, PLATE	1	1	1	
6	6C5-46241-00	BELT COURROIE TRAPEZOIDALE	1	1	1	
7	6C5-11536-00	GEAR, DRIVE ENGRENAGE, MENANT	1	1	1	
8	62Y-11557-00	WASHER 1 RONDELLE 1	1	1	1	
9	90179-35001	NUT ECROU	1	1	1	
10	90280-03017	KEY, WOODRUFF CLAVETTE, DEMI-LUNE	1	1	1	
11	6BG-13300-01	OIL PUMP ASSY POMPE A HUILE COMPLETE	1	1	1	
12	6C5-13329-00	GASKET, PUMP COVER JOINT, COUVERCLE DE POMPE	1	1	1	
13	90119-06025	BOLT, WITH WASHER BOULON, AVEC RONDELLE	4	4	4	
14	93102-37M40	OIL SEAL JOINT SPY	1	1	1	



6BT A300-R120

FIG. 12 FUEL

CARBURANT

REF. NO.	PART NO. N° PIECES	DESCRIPTION DESCRIPTION	ET	ED	EHD	REMARKS REMARQUES
1	6G1-24304-10	FUEL PIPE JOINT COMP. 1 DURITE RACCORDEMT. A ESSENCE	1	1	1	
2	97E95-06525	BOLT, HEXAGON W/W DEEP RECESS VIS HEXAGONAL AVC RONDELLE	1	1	1	
3	90445-14020	HOSE (L65) DURITE (L65)	1	1	1	
4	6BG-24313-00	PIPE 3 DURITE 3	1	1	1	
5	67F-24377-00	PIPE, JOINT 2 DURITE RACCORDEMENT 2	1	1	1	
6	90445-13M02	HOSE (L40) DURITE (L40)	1	1	1	
7	90465-11M10	CLAMP BRIDE	2	2	2	
8	90467-09M17	CLIP JONC	1	1	1	
9	6D8-24560-01	FILTER ASSY ENS FILTRE	1	1	1	
10	6D8-24563-00	.ELEMENT, FILTER .ELEMENT, FILTRE	1	1	1	
11	6D8-24564-00	.GASKET .JOINT	1	1	1	
12	6D8-24562-00	.CUP, FILTER .CUVETTE, FILTRE	1	1	1	
13	6D8-24469-00	.FLOAT, WATER LEVEL .FLOTTEUR	1	1	1	
14	6D8-24519-00	.CLIP .JONC	1	1	1	
15	6BG-24566-01	BRACKET, FILTER SUPPORT, FILTRE	1	1	1	
16	95D95-08016	BOLT, FLANGE DEEP RECESS BOULON FIXATION	1	1	1	
17	95380-08600	NUT ECROU	1	1	1	
18	6BG-24311-00	PIPE, FUEL 1 DURITE A ESSENCE	1	1	1	
19	90467-11M08	CLIP JONC	2	2	2	
20	6C5-24410-00	FUEL PUMP ASSY POMPE A ESSENCE	1	1	1	
21	6C5-24415-00	.BODY 4 .CORPS 4	1	1	1	
22	62Y-24411-02	.DIAPHRAGM .DIAPHRAGME	1	1	1	
23	62Y-24423-00	.SPRING, DIAPHRAGM .RESSORT, DIAPHRAGME	1	1	1	
24	62Y-13131-00	.PLUNGER .PLONGEUR	1	1	1	
25	62Y-24454-00	.SPRING .RESSORT	1	1	1	
26	62Y-24444-01	.SCREW .VIS	4	4	4	
27	6C5-24471-00	.DIAPHRAGM .DIAPHRAGME	1	1	1	

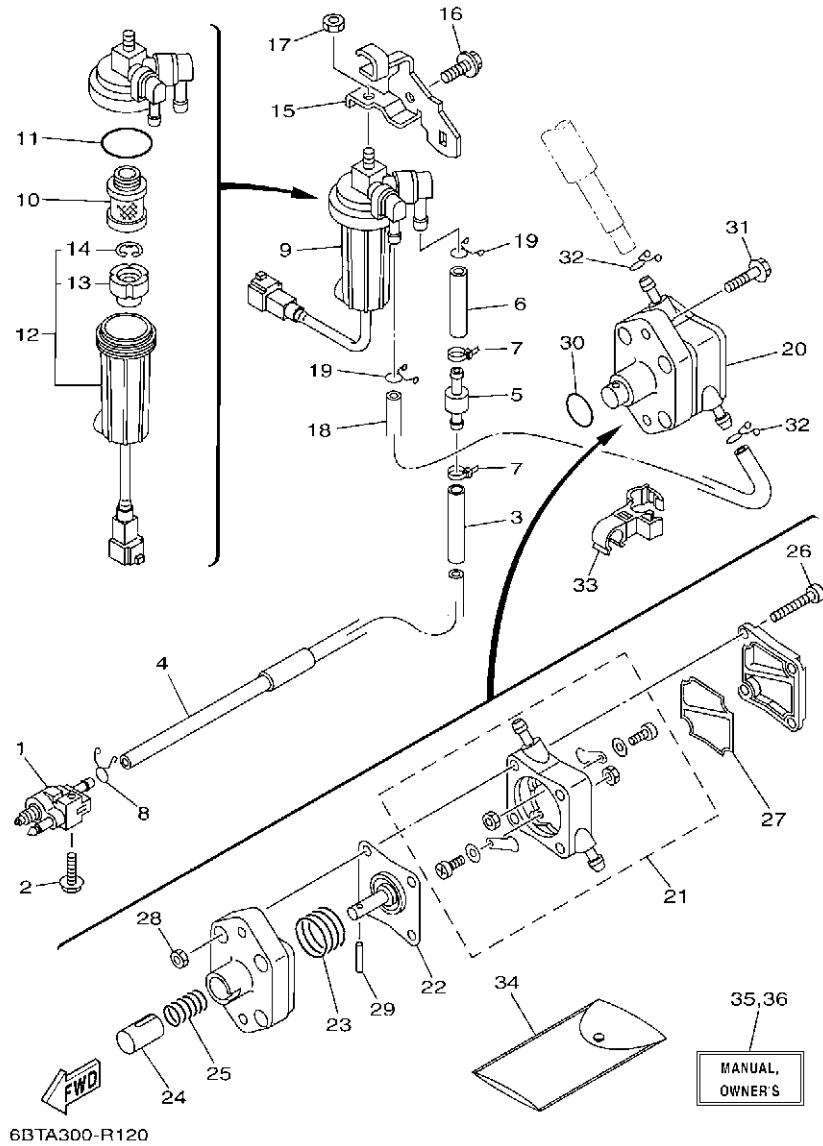


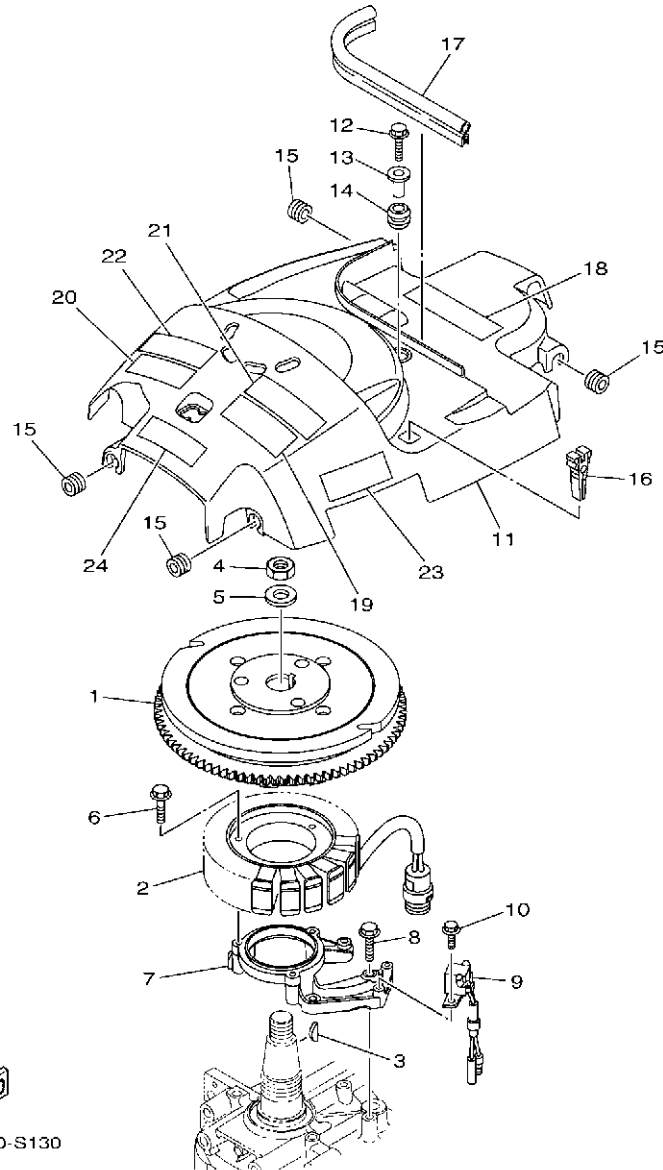
FIG. 12 FUEL

CARBURANT

REF. NO.	PART NO. N° PIECES	DESCRIPTION DESCRIPTION	E1	E2	EHD	REMARKS REMARQUES
28	95380-05600	.NUT .ECROU	4	4	4	
29	62Y-24374-01	.PIN .PIN	1	1	1	
30	93210-24M79	O-RING JOINT TORIQUE	1	1	1	
31	97E95-06530	BOLT, HEXAGON W/W DEEP RECESS VIS HEXAGONAL AVC RONDELLE	2	2	2	
32	90467-10M04	CLIP JONC	2	2	2	
33	90464-12012	CLAMP BRIDE	1	1	1	
34	6C5-28100-00	TOOL KIT TROUSSE A OUTILS	1	1	1	AP AP
35	6BG-28199-7C-E0	MANUAL, OWNER'S MANUEL D'UTILISATION	1	1	1	UR (E) UR (E)
	6BG-28199-7C-F0	MANUAL, OWNER'S MANUEL D'UTILISATION	1	1	1	UR (F) UR (F)
	6BG-28199-7C-S0	MANUAL, OWNER'S MANUEL D'UTILISATION	1	1	1	UR (ES) UR (ES)
	6BG-28199-7C-G0	MANUAL, OWNER'S MANUEL D'UTILISATION	1	1	1	UR (D) UR (D)
	6BG-28199-7C-D0	MANUAL, OWNER'S MANUEL D'UTILISATION	1	1	1	UR (NL) UR (NL)
	6BG-28199-7C-H0	MANUAL, OWNER'S MANUEL D'UTILISATION	1	1	1	UR (I) UR (I)
36	6BG-28199-8C-K0	MANUAL, OWNER'S MANUEL D'UTILISATION	1	1	1	UR (DK) UR (DK)
	6BG-28199-8C-R0	MANUAL, OWNER'S MANUEL D'UTILISATION	1	1	1	UR (GR) UR (GR)
	6BG-28199-8C-P0	MANUAL, OWNER'S MANUEL D'UTILISATION	1	1	1	UR (P) UR (P)
	6BG-28199-8C-N0	MANUAL, OWNER'S MANUEL D'UTILISATION	1	1	1	UR (N) UR (N)
	6BG-28199-8C-M0	MANUAL, OWNER'S MANUEL D'UTILISATION	1	1	1	UR (S) UR (S)
	6BG-28199-8C-L0	MANUAL, OWNER'S MANUEL D'UTILISATION	1	1	1	UR (SF) UR (SF)

FIG. 13 GENERATOR

GENERATRICE

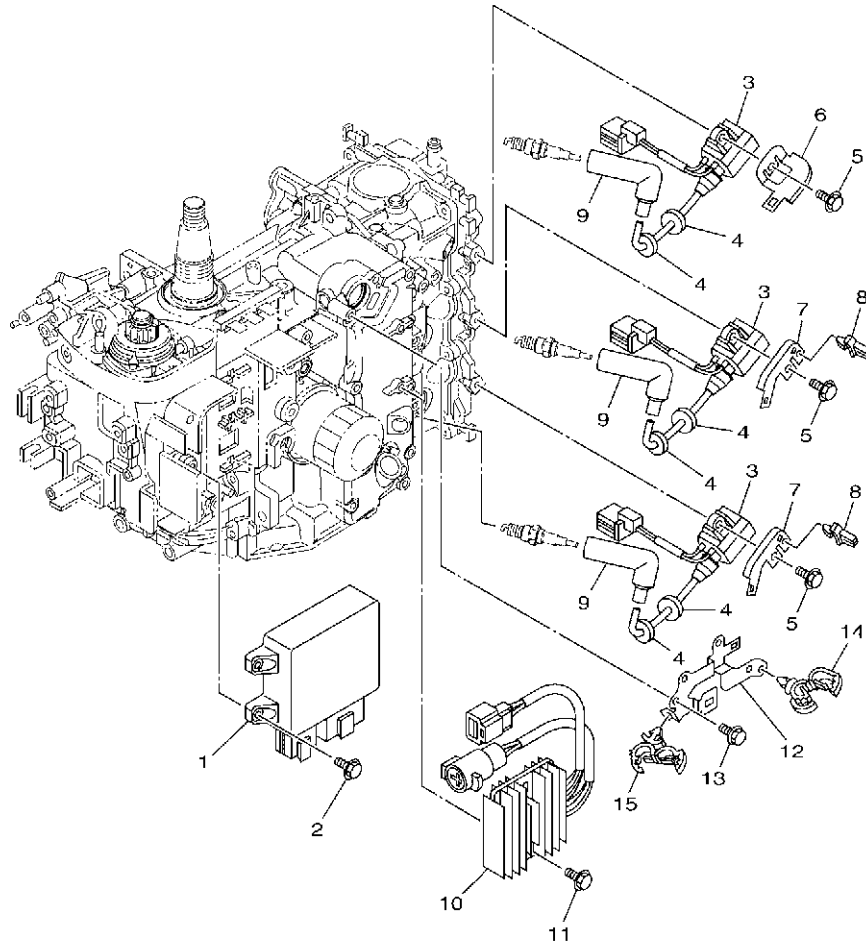


6BGB300-S130

REF. NO.	PART NO. N° PIECES	DESCRIPTION DESCRIPTION	Et	Ed	EHD	REMARKS REMARQUES
1	6BG-81450-00	ROTOR ASSY ROTOR COMPLET	1	1	1	
2	6BG-81410-00	STATOR ASSY STATOR COMPLET	1	1	1	
3	6H4-11545-00	KEY, WOODRUFF CLAVETTE, DEMI-LUNE	1	1	1	
4	90170-20137	NUT ECROU	1	1	1	
5	90201-21M18	WASHER, PLATE RONDELLE, PLATE	1	1	1	
6	95023-06030	BOLT BOULON, A COLLERETTE	3	3	3	
7	6BG-85561-00-94	BASE, MAGNETO BASE, MAGNETO	1	1	1	
8	95023-06030	BOLT BOULON, A COLLERETTE	4	4	4	
9	6AH-85580-00	COIL, PULSER BOBINE, PULSEUR	1	1	1	
10	97595-05516	BOLT, WITH WASHER VIS HEXAGONAL AVC RONDELLE	2	2	2	
11	6BG-81337-10	COVER, FLYWHEEL COUVERCLE, VOLANT	1	1	1	
12	95D95-06020	BOLT, FLANGE DEEP RECESS BOULON FIXATION	1	1	1	
13	90387-06285	COLLAR COLLERETTE	1	1	1	
14	90480-15M31	GROMMET PASSE-FIL	1	1	1	
15	90480-12314	GROMMET PASSE-FIL	4	4	4	
16	67F-2812A-00	PULLER, FUSE TENDEUR, FUSIBLE	1	1	1	
17	6BG-42617-00	DAMPER, FORM BOURRELET, CAOUTCHOUC	1	1	1	
18	6BG-13437-61	MARK, CAUTION MARKER	1	1	1	
19	6EE-81995-40	LABEL, WARNING ETIQUETTE, AVERTISSEMENT	1	1	1	
20	6EE-81995-50	LABEL, WARNING ETIQUETTE, AVERTISSEMENT	1	1	1	
21	6EE-81994-40	LABEL, SAFETY ETIQUETTE, SECURITE	1	1	1	
22	6EE-81994-50	LABEL, SAFETY ETIQUETTE, SECURITE	1	1	1	
23	6BG-81919-00	GRAPHIC, REGULATOR ADHESIF, REGULATEUR	1	1	1	
24	6AG-81996-00	MARK MARQUE	1	1		

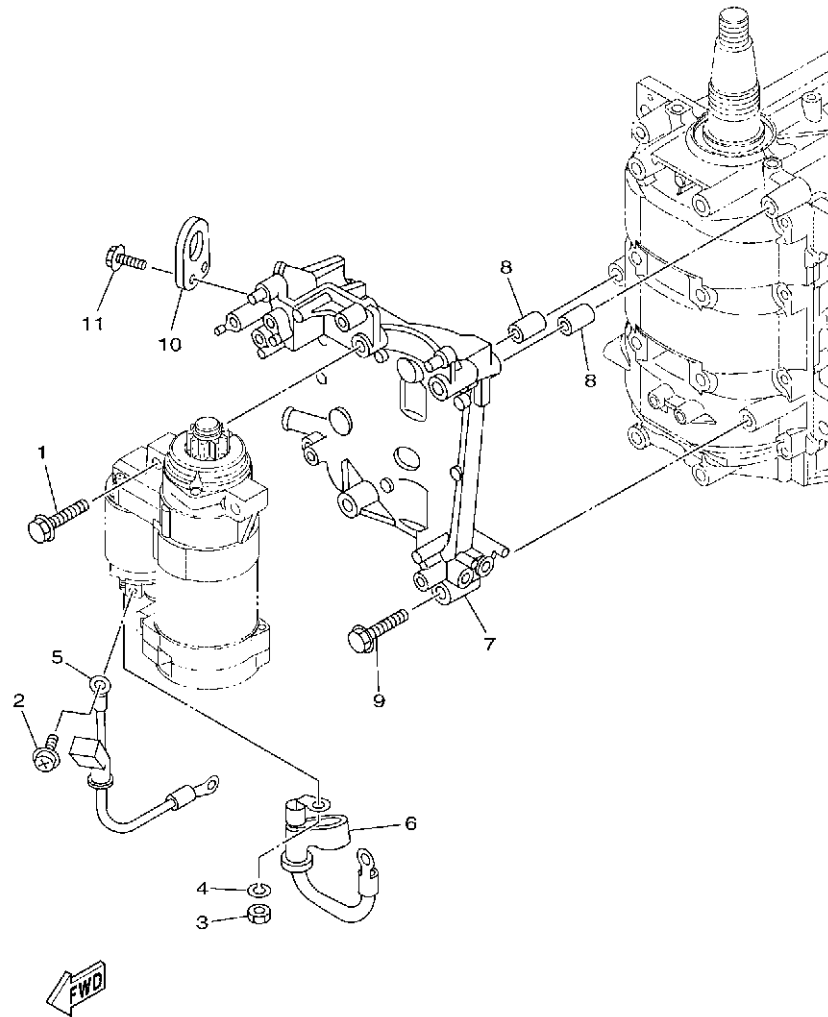
FIG. 14 ELECTRICAL 1

PARTIE ELECTRIQUE 1



REF. NO.	PART NO. N° PIECES	DESCRIPTION DESCRIPTION	Et	Ed	Ehd	REMARKS REMARQUES
1	6BG-8591A-04	ENGINE CONTROL UNIT ASSY BLOC DE CONTROL	1	1	1	F40F
	6BT-8591A-03	ENGINE CONTROL UNIT ASSY BLOC DE CONTROL	1	1		F40F F30B F30B
2	97E95-06525	BOLT, HEXAGON W/W DEEP RECESS VIS HEXAGONAL AVC RONDELLE	4	4	4	
3	6BG-85570-00	IGNITION COIL ASSY BOBINE D'ALLUMAGE (ENS.)	3	3	3	
4	90480-25003	GROMMET PASSE-FIL	6	6	6	
5	97E95-06525	BOLT, HEXAGON W/W DEEP RECESS VIS HEXAGONAL AVC RONDELLE	3	3	3	
6	6BG-82398-00	PLATE 3 PLAQUETTE 3	1	1	1	
7	6BG-82389-00	PLATE 2 PLAQUETTE 2	2	2	2	
8	90464-06001	CLAMP BRIDE	2	2	2	
9	6AH-82370-00	PLUG CAP ASSY ANTIPARASITE	3	3	3	
10	6BG-81960-00	RECTIFIER & REGULATOR ASSY REDRESSEUR REGULATEUR CPLT	1	1	1	
11	97E95-06525	BOLT, HEXAGON W/W DEEP RECESS VIS HEXAGONAL AVC RONDELLE	2	2	2	
12	6BG-81528-00	CLAMP 1 COLLIER 1	1	1	1	
13	97E95-06516	BOLT, HEXAGON W/W DEEP RECESS VIS HEXAGONAL AVC RONDELLE	2	2	2	
14	90464-13249	CLAMP BRIDE	3	3	3	
15	90464-18246	CLAMP BRIDE	1	1	1	


 6BTB100-S140



6BTB100-S150

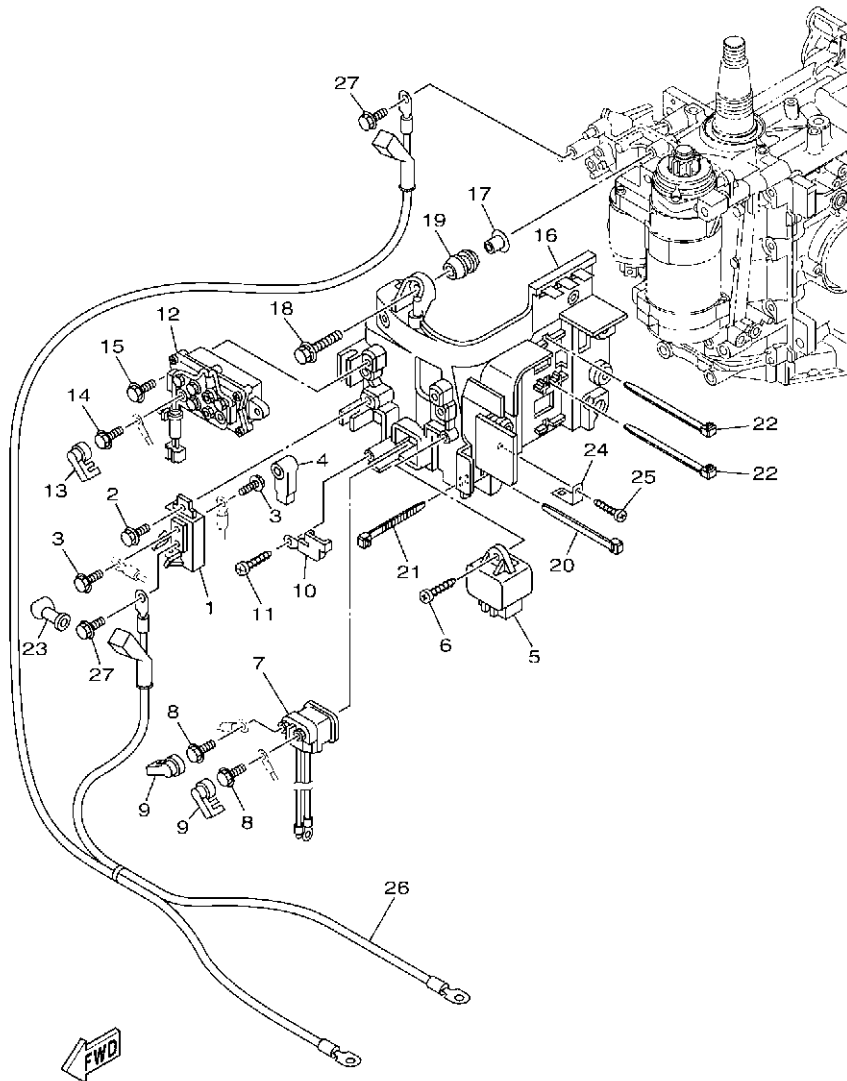
FIG. 15 ELECTRICAL 2

PARTIE ELECTRIQUE 2

REF. NO.	PART NO. N° PIECES	DESCRIPTION DESCRIPTION	ET	ED	EHD	REMARKS REMARQUES
1	97513-08545	BOLT, WITH WASHER VIS HEXAGONAL AVC RONDELLE	3	3	3	
2	90159-05M12	SCREW, WITH WASHER VIS, AVEC RONDELLE	1	1	1	
3	95333-08600	NUT ECROU	1	1	1	
4	92903-08100	WASHER, SPRING RONDELLE, GROWER	1	1	1	
5	6BG-81815-00	CORD, STARTER MOTOR FIL, DEMARREUR ELECTRIQUE	1	1	1	
6	6BG-82115-00	WIRE, PLUS LEAD FIL, POSITIF	1	1	1	
7	6BG-81822-00	BRACKET, STARTING MOTOR SUPPORT, DEMARREUR ELECTRIQUE	1	1	1	
8	99530-10114	PIN, DOWEL GOUJON, D'ASSEMBLAGE	2	2	2	
9	97E95-08545	BOLT, HEXAGON W/W DEEP RECESS VIS HEXAGONAL AVC RONDELLE	4	4	4	
10	62Y-11119-00	HANGER, ENGINE ANNEAU, LEVAGE	1	1	1	
11	97E95-06520	BOLT, HEXAGON W/W DEEP RECESS VIS HEXAGONAL AVC RONDELLE	2	2	2	

FIG. 16 ELECTRICAL 3

PARTIE ELECTRIQUE 3



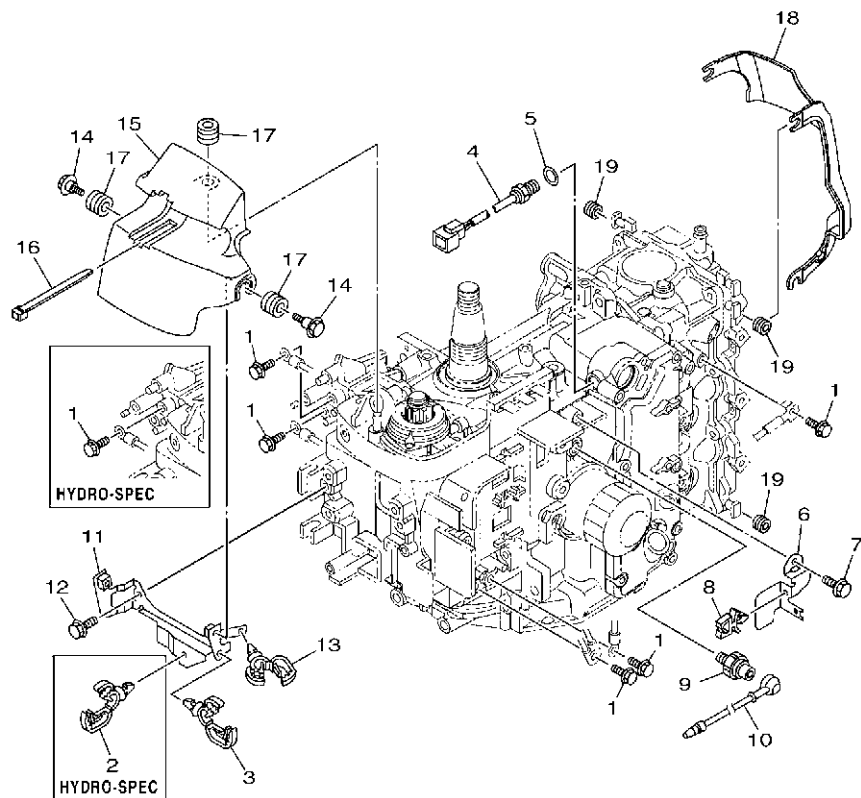
6BTB100-S160

REF. NO.	PART NO. N° PIECES	DESCRIPTION DESCRIPTION	Et	ED	EHD	REMARKS REMARQUES
1	6BG-81925-00	TERMINAL BORNE	1	1	1	
2	97E95-06516	BOLT, HEXAGON W/W DEEP RECESS VIS HEXAGONAL AVC RONDELLE	1	1	1	
3	97E95-06610	BOLT, HEXAGON W/W DEEP RECESS VIS HEXAGONAL AVC RONDELLE	2	2	2	
4	682-82119-01	COVER, LEAD WIRE GARNITURE, FIL	1	1	1	
5	60E-81950-00	RELAY ASSY RELAIS COMPLET	1	1	1	
6	97780-60620	SCREW, TAPPING VIS, TETE BOMBEE	1	1	1	
7	6AW-8194A-00	RELAY RELAIS	1	1	1	
8	97E95-06610	BOLT, HEXAGON W/W DEEP RECESS VIS HEXAGONAL AVC RONDELLE	2	2	2	
9	6P2-8183X-00	CAP, TERMINAL COUVERCLE, BORNE	2	2	2	
10	68F-81953-00	STAY, RELAY SUPPORT, RELAIS	1	1	1	
11	97780-60620	SCREW, TAPPING VIS, TETE BOMBEE	1	1	1	
12	63P-81950-00	RELAY ASSY RELAIS COMPLET	1			
13	6P2-8183X-00	CAP, TERMINAL COUVERCLE, BORNE	2			
14	97E95-06610	BOLT, HEXAGON W/W DEEP RECESS VIS HEXAGONAL AVC RONDELLE	2			
15	97E95-06520	BOLT, HEXAGON W/W DEEP RECESS VIS HEXAGONAL AVC RONDELLE	2			
16	6BG-81948-01	BRACKET SUPPORT	1	1	1	
17	90387-06119	COLLAR COLLERETTE	6	6	6	
18	95D95-06025	BOLT, FLANGE DEEP RECESS BOULON FIXATION	6	6	6	
19	6A0-82317-00	DAMPER, IGNITION COIL AMORTISSEUR, BOBINE D'ALLUM	6	6	6	
20	90465-13M24	CLAMP BRIDE	1	1	1	
21	90465-13M39	CLAMP BRIDE	1	1	1	
22	90465-14M66	CLAMP BRIDE	2	2	2	
23	6G5-82119-00	COVER, LEAD WIRE GARNITURE, FIL	1	1	1	
24	68V-85548-01	HOLDER SUPPORT	1	1	1	
25	97780-60620	SCREW, TAPPING VIS, TETE BOMBEE	1	1	1	
26	6BG-82105-01	BATTERY CABLE CABLE DE BATTERIE	1	1	1	AP
27	97E95-06516	BOLT, HEXAGON W/W DEEP RECESS VIS HEXAGONAL AVC RONDELLE	2	2	2	AP AP AP

FIG. 17 ELECTRICAL 4

PARTIE ELECTRIQUE 4

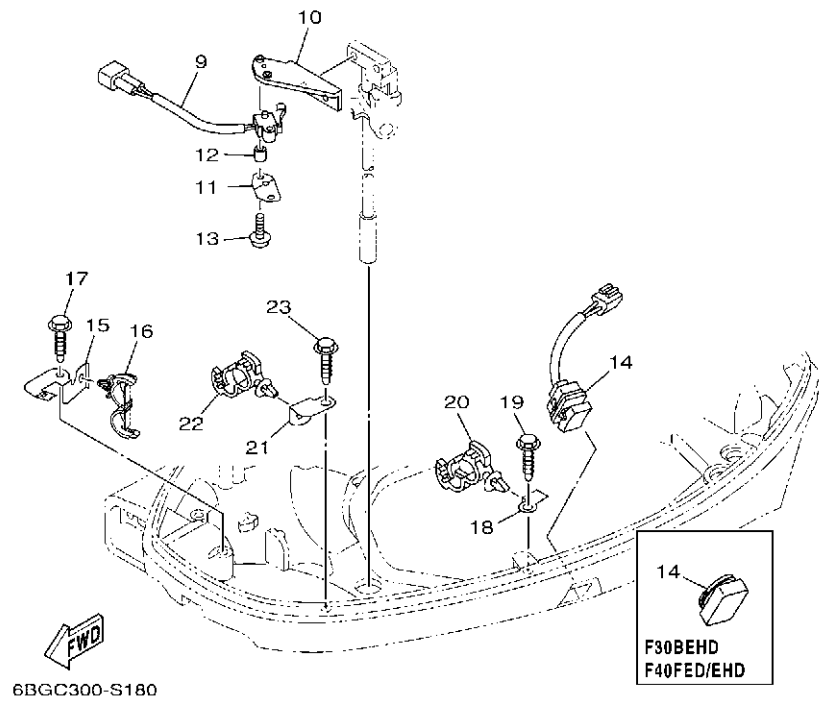
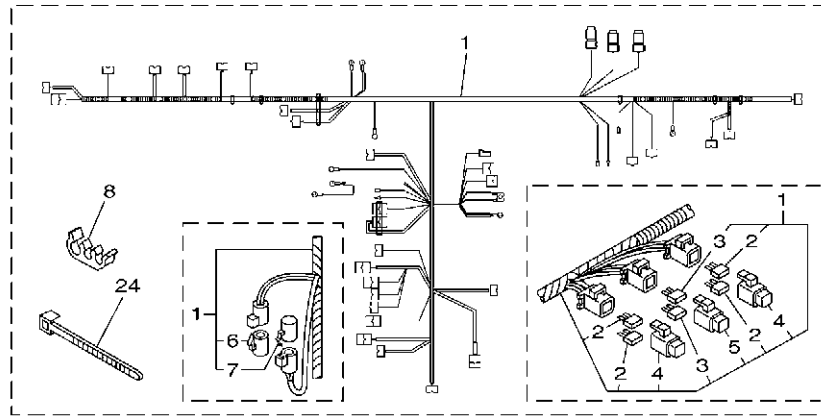
REF. NO.	PART NO. N° PIECES	DESCRIPTION DESCRIPTION	ET	ED	EHD	REMARKS REMARQUES
1	97E95-06516	BOLT, HEXAGON W/W DEEP RECESS VIS HEXAGONAL AVC RONDELLE	5			
	97E95-06516	BOLT, HEXAGON W/W DEEP RECESS VIS HEXAGONAL AVC RONDELLE		4	4	
2	90464-13249	CLAMP BRIDE		1	1	
3	90464-13249	CLAMP BRIDE	1	1	1	
4	6CJ-85790-00	THERMOSENSOR ASSY SENSITOMETRE	1	1	1	
5	90430-14115	GASKET JOINT	1	1	1	
6	6BG-82388-00	PLATE PLAQUETTE	1	1	1	
7	97E95-06516	BOLT, HEXAGON W/W DEEP RECESS VIS HEXAGONAL AVC RONDELLE	1	1	1	
8	90464-06001	CLAMP BRIDE	1	1	1	
9	64J-82504-00	OIL PRESSURE SWITCH ASSY CONTACTEUR DE PRESSION D'HUILE	1	1	1	
10	68V-81315-00	LEAD WIRE ASSY FIL	1	1	1	
11	6BG-8257V-00	PLATE, CONNECTOR PLAQUE, CONNECTEUR	1	1	1	
12	97E95-06516	BOLT, HEXAGON W/W DEEP RECESS VIS HEXAGONAL AVC RONDELLE	2	2	2	
13	90464-18246	CLAMP BRIDE	1	1	1	
14	90109-06MA1	BOLT BOULON	2	2	2	
15	6BG-81942-00	COVER COUVERCLE	1	1	1	
16	90465-13M24	CLAMP BRIDE	1	1	1	
17	90480-12314	GROMMET PASSE-FIL	3	3	3	
18	6BG-11192-00	COVER, CYLINDER HEAD 2 COUVERCLE, CULASSE 2	1	1	1	
19	90480-12314	GROMMET PASSE-FIL	3	3	3	



6BTB100-S170

FIG. 18 ELECTRICAL 5

PARTIE ELECTRIQUE 5



REF. NO.	PART NO. N° PIECES	DESCRIPTION DESCRIPTION	ET	ED	EHD	REMARKS REMARQUES
1	6BG-82590-05	WIRE HARNESS ASSY FAISCEAU DE FILS COMPLET	1			
	6BG-82590-14	WIRE HARNESS ASSY FAISCEAU DE FILS COMPLET		1	1	
2	67F-82151-00	.FUSE (20A) .FUSIBLE (20A)	4	4	4	
3	67F-82151-10	.FUSE (30A) .FUSIBLE (30A)	2	2	2	
4	67F-8215B-10	.CAP (YELLOW) .BOUCHON (YELLOW)	2	2	2	
5	67F-8215B-20	.CAP (GREEN) .BOUCHON (GREEN)	1	1	1	
6	6P2-82582-00	.CAP 1 (FEMALE) .BOUCHON 1 (FEMME)	1			FOR 6BG-82590-05 FOR 6BG-82590-05
7	6P2-82582-10	.CAP 1 (MALE) .BOUCHON 1 (MALE)	1			FOR 6BG-82590-05 FOR 6BG-82590-05
8	90464-11008	CLAMP BRIDE	1	1	1	
9	60V-8259F-00	SWITCH ASSY COMMUTATEUR	1	1	1	
10	6CJ-82554-00	STAY, NEUTRAL SWITCH SUPPORT, CONT DE POINT-MORT	1	1	1	
11	61A-82588-01	PLATE PLAQUE	1	1	1	
12	90387-04001	COLLAR COLLERETTE	1	1	1	
13	97985-04116	SCREW, WITH WASHER VIS, AVEC RONDELLE	2	2	2	
14	6FM-82563-01	TRIM & TILT SWITCH ASSY INCLINER ET PARER COMMUTATEUR	1			
	6FM-42723-00	COVER, BOTTOM COUVERCLE		1	1	
15	6BG-42811-01	STAY SUPPORT	1	1	1	
16	90464-18205	CLAMP BRIDE	1	1	1	
17	90109-06M86	BOLT BOULON	1	1	1	
18	6BG-42743-00	BRACKET SUPPORT	1	1	1	
19	90109-06M86	BOLT BOULON	1	1	1	
20	90464-20181	CLAMP BRIDE	1	1	1	
21	63P-42756-00	STAY, CLAMP SUPPORT, COLLIER	1	1	1	
22	90464-20181	CLAMP BRIDE	1	1	1	
23	90109-06M86	BOLT BOULON	1	1	1	
24	90465-13M97	CLAMP BRIDE	1	1	1	

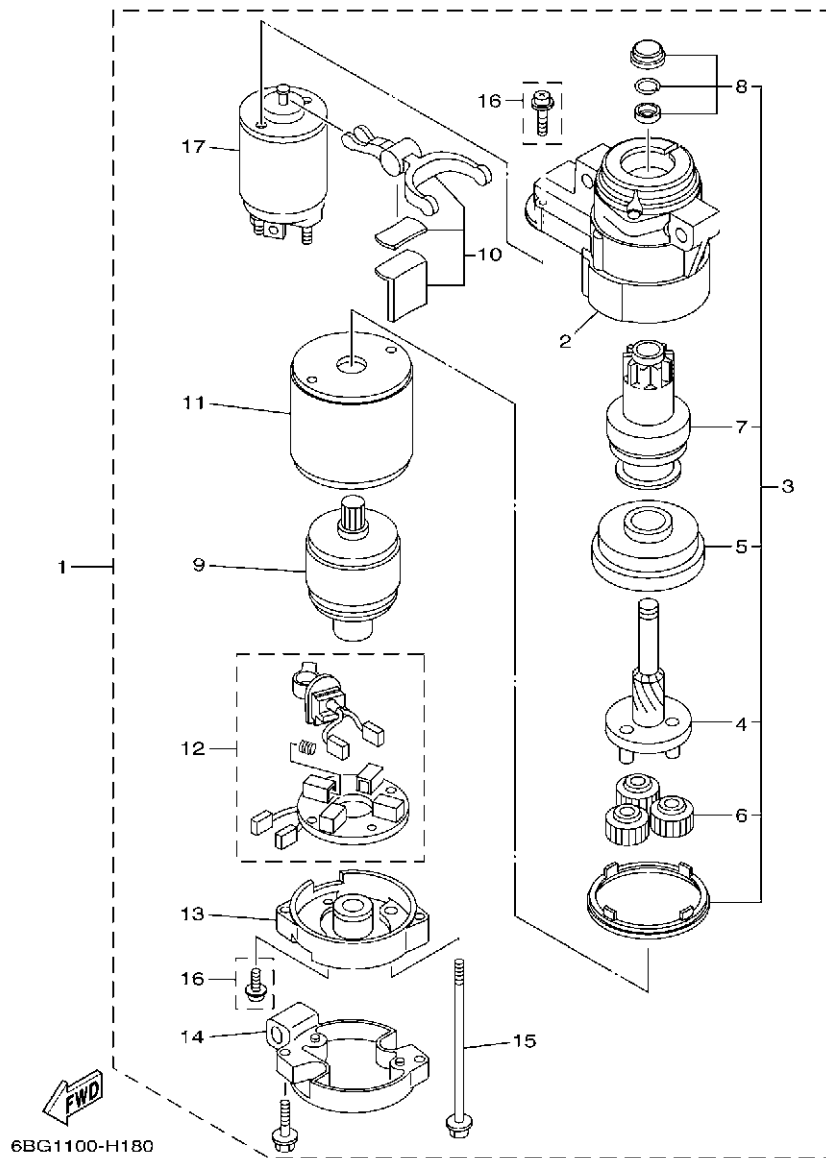


FIG. 19 STARTING MOTOR

DEMARREUR ELECTRIQUE

REF. NO.	PART NO. N° PIECES	DESCRIPTION DESCRIPTION	ET	ED	EHD	REMARKS REMARQUES
1	6BG-81800-00	STARTING MOTOR ASSY DEMARREUR ELECTRIQUE COMPLET	1	1	1	
2	6BG-81830-00	.FRONT BRACKET ASSY .SUPPORT AVANT	1	1	1	
3	6BG-81807-00	.GEAR ASSY, STARTING MOTOR .PIGNON, DEMARREUR ELECTRIQUE	1	1	1	
4	6BG-81836-00	.SPRING, LEVER .RESSORT, LEVIER	1	1	1	
5	6BG-81891-00	.GEAR, RING .ROUE DENTEE	1	1	1	
6	6AW-8183T-00	.GEAR, IDLER .PIGNON, INTERMEDIAIRE	3	3	3	
7	6BG-81832-00	.CLUTCH, OVER RUN .EMBAYAGE, ROUE LIBRE	1	1	1	
8	6BG-81857-00	.PINION STOPPER SET .BUTEE PIGNON	1	1	1	
9	6BG-81850-00	.ARMATURE ASSY .INDUIT	1	1	1	
10	6BG-81839-00	.LEVER ASSY .LEVIER COMPLET	1	1	1	
11	6BG-81810-00	.STATOR ASSY .STATOR COMPLET	1	1	1	
12	6BG-81840-00	.BRUSH HOLDER ASSY .SUPPORT DE CHARBON	1	1	1	
13	6BG-81820-00	.REAR BRACKET ASSY .SUPPORT ARRIERE COMPLET	1	1	1	
14	6BG-8182J-00	.BRACKET COMPLETE .SUPPORTE COMPLETE	1	1	1	
15	6BG-81826-00	.BOLT .BOULON	2	2	2	
16	6BG-81846-00	.SCREW SET .VIS	1	1	1	
17	6BG-81941-00	.STARTER RELAY ASSY .LANCEUR RELAIS (ENS.)	1	1	1	

FIG. 20 BOTTOM COWLING 1

CAPOT INFERIEUR 1

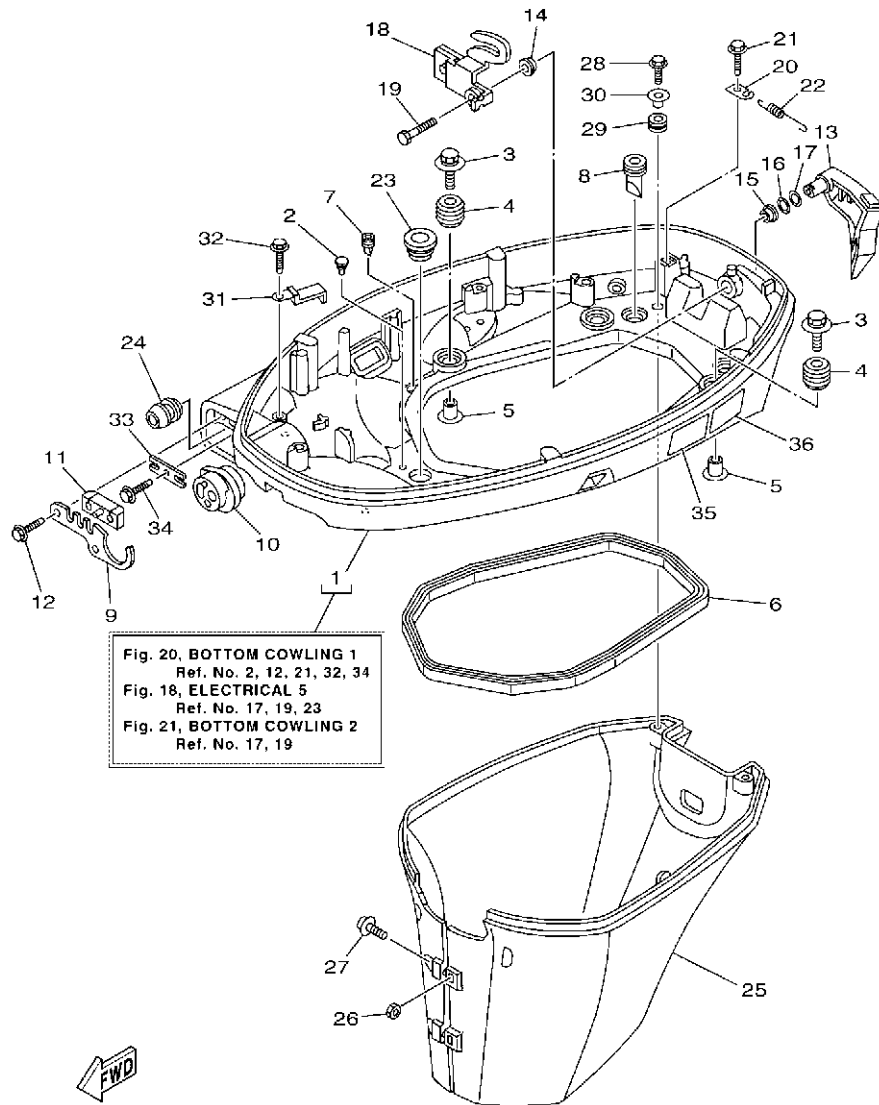


Fig. 20, BOTTOM COWLING 1
 Ref. No. 2, 12, 21, 32, 34
 Fig. 18, ELECTRICAL 5
 Ref. No. 17, 19, 23
 Fig. 21, BOTTOM COWLING 2
 Ref. No. 17, 19

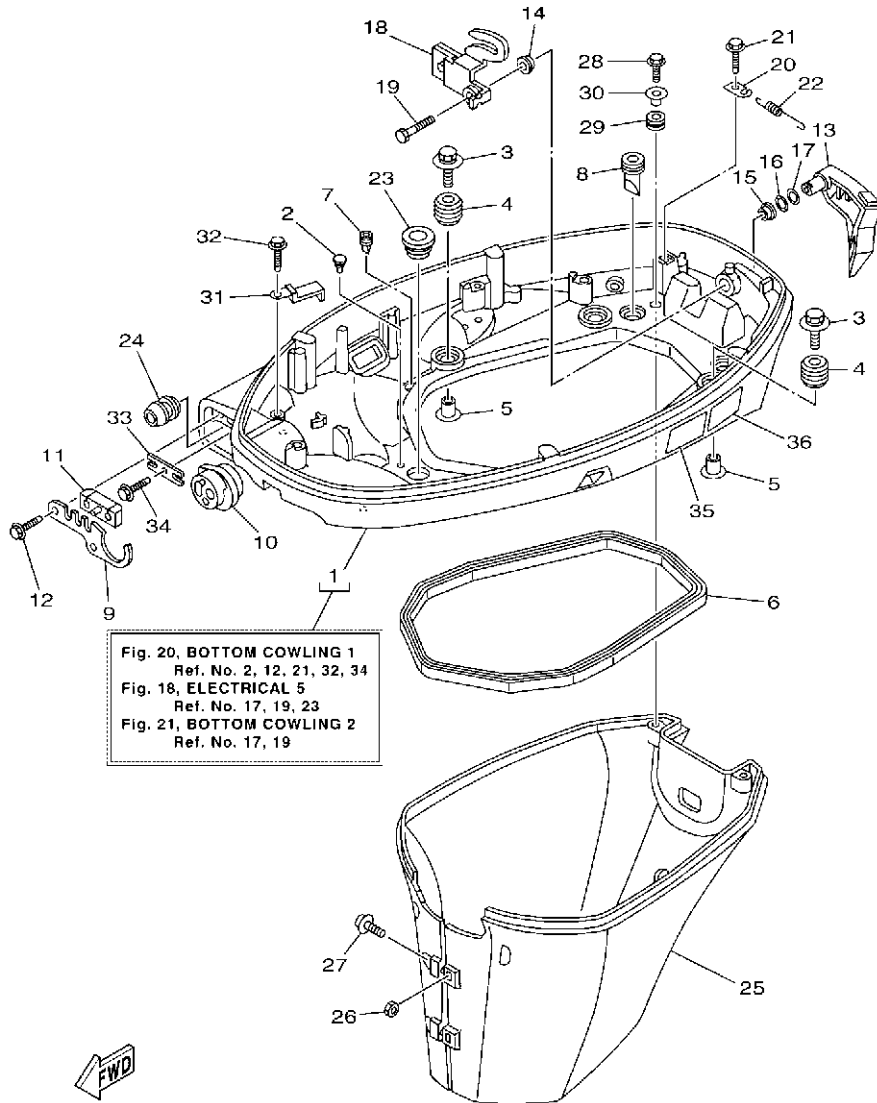
6BTD100 T200

REF. NO.	PART NO. N° PIECES	DESCRIPTION DESCRIPTION	ET	ED	EHD	REMARKS REMARQUES
1	6BG-42710-02-8D	BOTTOM COWLING ASSY ENS. EMBASE	1	1	1	
2	6H4-42748-00	GROMMET PASSE-FIL	3	3	3	
3	90119-06M61	BOLT, WITH WASHER BOULON, AVEC RONDELLE	4	4	4	
4	6BG-42748-00	GROMMET PASSE-FIL	4	4	4	
5	90387-06M69	COLLAR COLLERETTE	4	4	4	
6	62Y-42716-00	RUBBER SEAL 1 JOINT EN CAOUTCHOUC 1	1	1	1	
7	65W-42717-00	RUBBER, SEAL 2 JOINT EN CAOUTCHOUC 2	2	2	2	
8	61A-42717-00	RUBBER, SEAL 2 JOINT EN CAOUTCHOUC 2	2	2	2	
9	6BG-42761-00	STOPPER PLAQUETTE	1	1	1	
10	6BG-42725-00	GROMMET PASSE-FIL	1	1	1	
11	6BG-42727-00	GROMMET PASSE-FIL	1	1	1	
12	90109-06316	BOLT BOULON	2	2	2	
13	6BG-42815-00-8D	LEVER, CLAMP 1 LEVIER, PRESSE 1	1	1	1	
14	90386-12M37	BUSH DOUILLE	1	1	1	
15	90386-12MA2	BUSH DOUILLE	1	1	1	
16	90206-12052	WASHER, WAVE RONDELLE, ONDULEE	1	1	1	
17	90201-12M07	WASHER, PLATE RONDELLE, PLATE	1	1	1	
18	6BG-42816-00	LEVER, CLAMP 2 LEVIER, PRESSE 2	1	1	1	
19	97D95-06014	BOLT, HEXAGON DEEP RECESS VIS HEXAGONAL	1	1	1	
20	66T-43144-00	HOOK, SPRING CROCHET	1	1	1	
21	90109-06M86	BOLT BOULON	1	1	1	
22	90506-18M40	SPRING, TENSION RESSORT, TENSION	1	1	1	
23	68U-42727-00	GROMMET PASSE-FIL	1	1	1	
24	6BG-24329-00	SEAL JOINT	1	1	1	
25	6BG-42741-00-8D	APRON CAPOT LATERAL	1	1	1	S(16.3") S(16.3")
	6BG-42741-10-8D	APRON CAPOT LATERAL	1	1	1	L(21.1") L(21.1")
26	95380-06600	NUT, HEXAGON ECROU	2	2	2	

FIG. 20 BOTTOM COWLING 1

CAPOT INFERIEUR 1

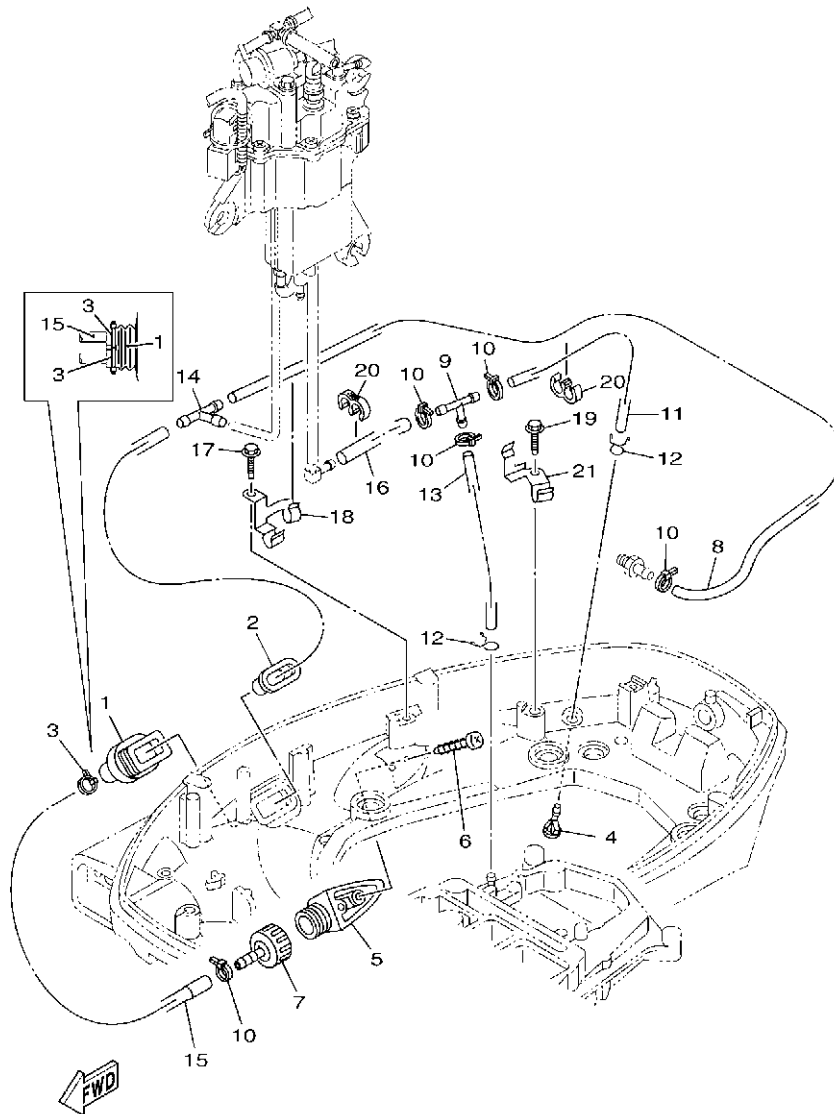
REF. NO.	PART NO. N° PIECES	DESCRIPTION DESCRIPTION	ET	ED	EHD	REMARKS REMARQUES
27	97980-06325	SCREW, WITH WASHER VIS, AVEC RONDELLE	2	2	2	
28	90109-06M80	BOLT BOULON	2	2	2	
29	90480-13M24	GROMMET PASSE-FIL	2	2	2	
30	90387-06M43	COLLAR COLLERETTE	2	2	2	
31	90462-20005	CLAMP BRIDE	1	1	1	
32	90109-06M86	BOLT BOULON	1	1	1	
33	6BG-48538-00	CLAMP, CABLE 1 COLLIER	1	1	1	
34	90109-06316	BOLT BOULON	1	1	1	
35	6EE-42794-40	LABEL, WARNING (GENERAL) ETIQUETTE, AVERTISSEMENT	1	1	1	
36	6EE-42794-50	LABEL, WARNING (GENERAL) ETIQUETTE, AVERTISSEMENT	1	1	1	



6BTD100 T200

FIG. 21 BOTTOM COWLING 2

CAPOT INFERIEUR 2

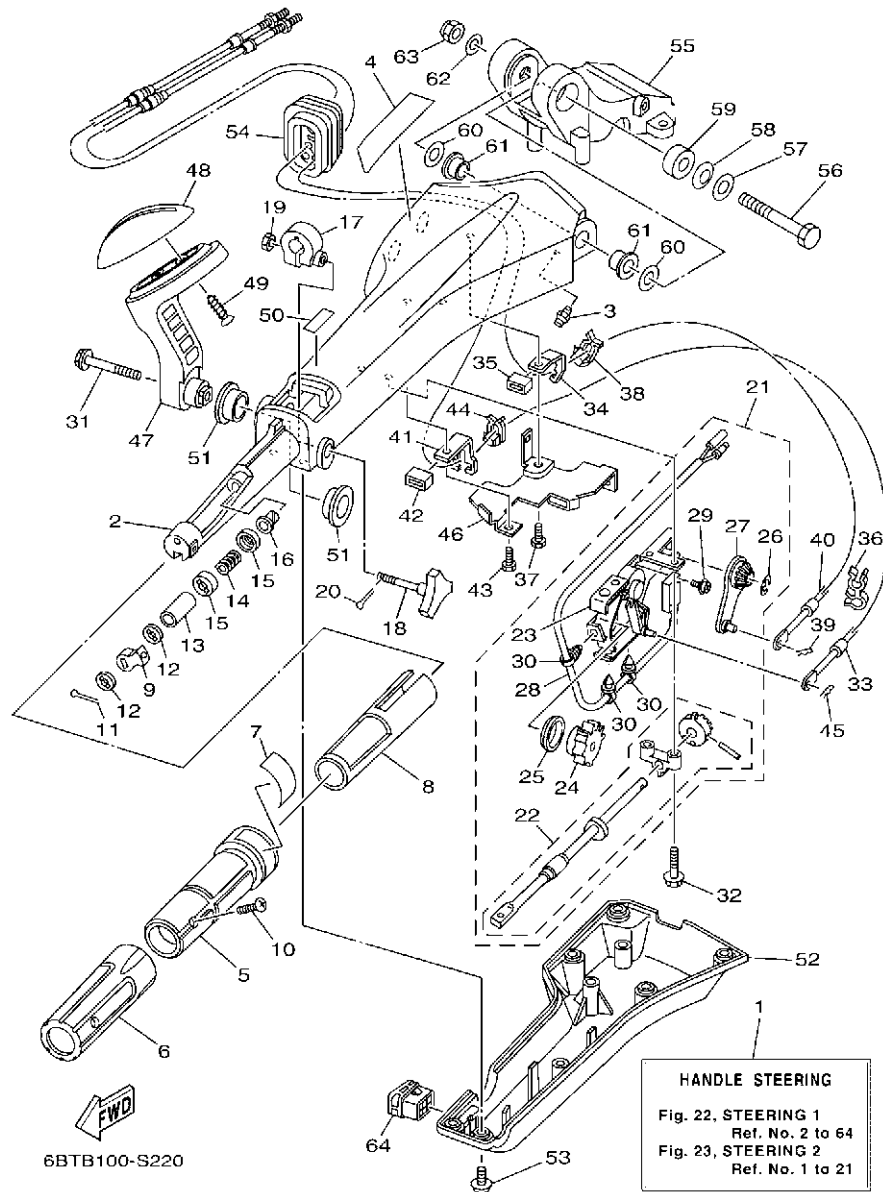


6BGC200 S210

REF. NO.	PART NO. N° PIECES	DESCRIPTION DESCRIPTION	ET	ED	EHD	REMARKS REMARQUES
1	6H1-42726-21	GROMMET PASSE-FIL	1	1	1	
2	6BG-42384-00	SEAL, CAP JOINT, CAPUCHON	1	1	1	
3	90465-11M10	CLAMP BRIDE	2	2	2	
4	6BG-44391-00	NIPPLE, HOSE RACCORD D'ESSENCE	1	1	1	
5	6AW-12572-00	ADAPTER ADAPTATEUR	1	1	1	
6	97780-60520	SCREW, TAPPING VIS, TETE BOMBEE	2	2	2	
7	6R3-12580-00	JOINT ASSY ARTICULER (ENS.)	1	1	1	
8	6BG-42541-00	PIPE 1 TUYAU 1	1	1	1	
9	688-24378-00	PIPE, JOINT 3 DURITE RACCORDEMENT 3	1	1	1	
10	90465-11M10	CLAMP BRIDE	5	5	5	
11	6BG-42542-00	PIPE TUYAU	1	1	1	
12	90467-08M18	CLIP JONC	2	2	2	
13	6BG-24314-00	PIPE 4 DURITE 4	1	1	1	
14	688-24378-00	PIPE, JOINT 3 DURITE RACCORDEMENT 3	1	1	1	
15	6BG-12481-00	PIPE 1 DURITE 1	1	1	1	
16	90445-09091	HOSE (L135) DURITE (L135)	1	1	1	
17	90109-06M86	BOLT BOULON	1	1	1	
18	6BG-24135-01	CLAMP 1 COLLIER 1	1	1	1	
19	90109-06M86	BOLT BOULON	1	1	1	
20	90464-09M21	CLAMP BRIDE	2	2	2	
21	6BG-24136-01	CLAMP 2 COLLIER 2	1	1	1	

FIG. 22 STEERING 1

DIRECTION 1



REF. NO.	PART NO. N° PIECES	DESCRIPTION DESCRIPTION	ET	ED	EHD	REMARKS REMARQUES
1	6X4-42101-K7	HANDLE, STEERING POIGNEE			1	
2	6X4-42111-02-8D	HANDLE, STEERING POIGNEE			1	
3	93700-06002	NIPPLE, GREASE PION			1	
4	6X4-48215-00	GRAPHIC ADHESIF			1	
5	6X4-42119-01	GRIP, STEERING HANDLE POIGNEE, BARRE FRANCHE			1	
6	6X4-42177-00	RUBBER, HANDLE CAOUTCHOUC, POIGNEE			1	
7	6X4-42137-00	INDICATOR, THROTTLE INDICATEUR, ACCELERATION			1	
8	6X4-41291-00	BUSHING COUSSINET			1	
9	6X4-44139-01	COLLAR COLLIER			1	
10	90152-05007	SCREW, COUNTERSUNK VIS, TETE NOYEE			1	
11	91490-20010	PIN, COTTER GOUPILLE			1	
12	6X4-44177-00	WASHER RONDELLE			2	
13	6X4-42128-00	COLLAR, DISTANCE 1 COLLIER, D'ENTRETOISE 1			1	
14	90501-23215	SPRING, COMPRESSION RESSORT, COMPRESSION			1	
15	6X4-44188-00	WASHER RONDELLE			2	
16	90386-08032	BUSH DOUILLE			1	
17	63D-42126-00	FRICTION, STEERING HANDLE GRIP CUVETTE, POIGNEE DE DIRECTION			1	
18	6X4-48154-00	KNOB, THROTTLE BOUTON, ACCELERATEUR			1	
19	95380-06600	NUT, HEXAGON ECROU			1	
20	91490-20010	PIN, COTTER GOUPILLE			1	
21	6X4-44100-01	SHIFT LINK ASSY MAILLON DE SELECTEUR			1	
22	6X4-42115-00	.SHAFT, STEERING HANDLE .AXE, BARRE FRANCHE			1	
23	6X4-44102-00	.SHIFT ASSIST ASSY. .SELECTEUR DE MAINTIEN			1	
24	6X4-47731-01	.GEAR, DRIVE .PIGNON D'ENTRAINEMENT			1	
25	6X4-44132-00	.BUSHING .COUSSINET			1	
26	6X4-14137-00	.CLIP .JONC			1	
27	6X4-48261-00	.ARM, THROTTLE .BRAS, ACCELERATION			1	

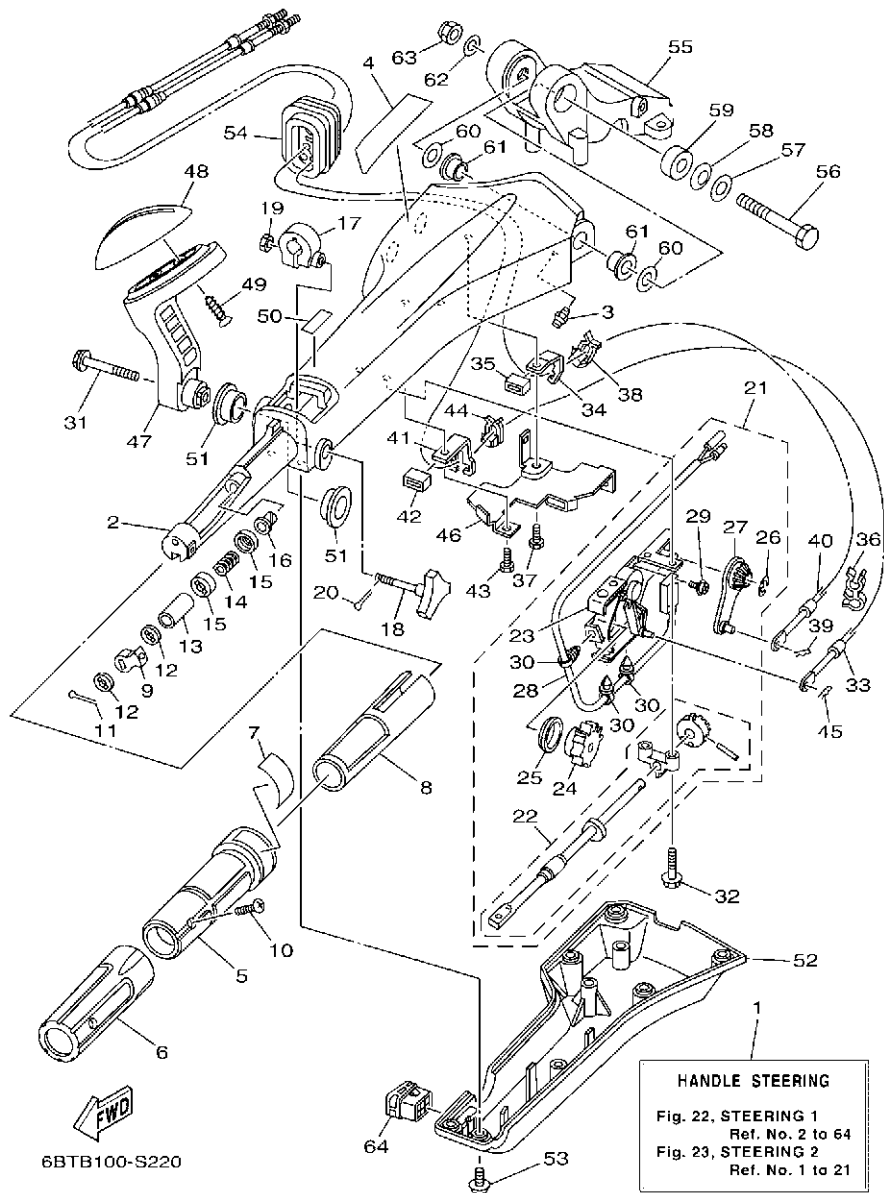


FIG. 22 STEERING 1

DIRECTION 1

REF. NO.	PART NO. N° PIECES	DESCRIPTION DESCRIPTION	ET	ED	EHD	REMARKS REMARQUES
28	6X4-82540-00	.NEUTRAL SWITCH ASSY .CONTACTEUR DE POINT-MORT			1	
29	703-48129-00	.SCREW 3 .VIS 3			2	
30	6X4-42821-00	.BAND, CLAMP .BRIDE, COLLIER			3	
31	97E95-08540	BOLT, HEXAGON W/W DEEP RECESS VIS HEXAGONAL AVC RONDELLE			1	
32	97E95-06530	BOLT, HEXAGON W/W DEEP RECESS VIS HEXAGONAL AVC RONDELLE			2	
33	67C-48321-11	CABLE CABLE			1	
34	6X4-48538-00	CLAMP, CABLE 1 COLLIER			1	
35	6X4-26367-00	PROTECTOR PROTECTEUR			1	
36	90464-09M42	CLAMP BRIDE			1	
37	97D95-06014	BOLT, HEXAGON DEEP RECESS VIS HEXAGONAL			1	
38	63D-48538-00	CLAMP, CABLE 1 COLLIER			1	
39	90468-10005	CLIP JONC			1	
40	69W-26301-00	THROTTLE CABLE ASSY CABLE D'ACCELERATEUR			1	
41	6X4-48538-10	CLAMP, CABLE 1 COLLIER			1	
42	6X4-26367-00	PROTECTOR PROTECTEUR			1	
43	97D95-06014	BOLT, HEXAGON DEEP RECESS VIS HEXAGONAL			1	
44	63D-48538-00	CLAMP, CABLE 1 COLLIER			1	
45	90468-10005	CLIP JONC			1	
46	6X4-42159-00	STAY SUPPORT			1	
47	6X4-44159-A0-8D	HANDLE, GEAR SHIFT POIGNEE, LEVIER D'EMBRAYAGE			1	
48	6X4-44173-00	LEVER, SHIFT CONTROL POIGNEE, INVERSION			1	
49	97780-60920	SCREW, TAPPING VIS, TETE BOMBEE			2	
50	6X3-44191-00	INDICATOR, SHIFT ETIQUETTE, EMBRAYAGE			1	
51	90386-26MA3	BUSH DOUILLE			2	
52	6X4-42131-11	COVER, HANDLE STEERING COUVERCLE			1	
53	97985-06216	SCREW, WITH WASHER VIS, AVEC RONDELLE			6	
54	6X4-42725-01	GROMMET PASSE-FIL			1	

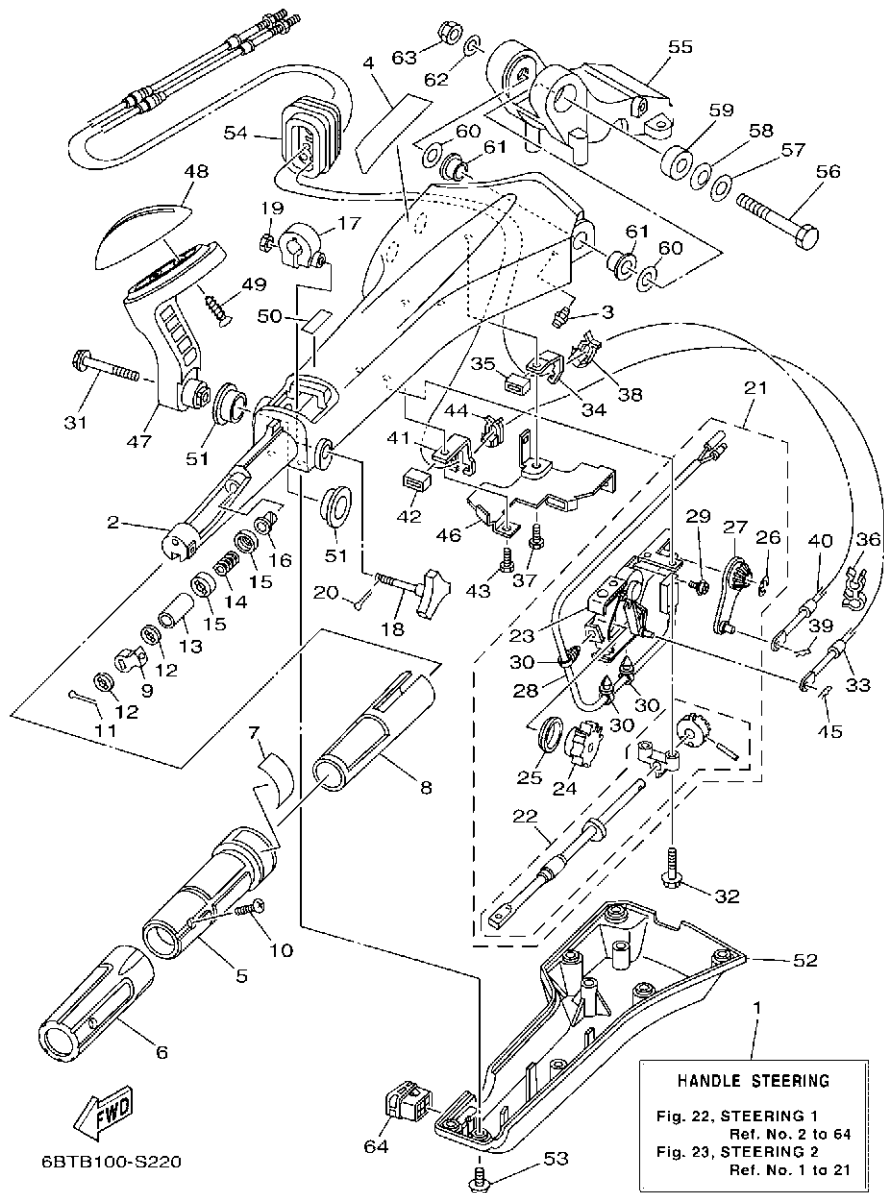


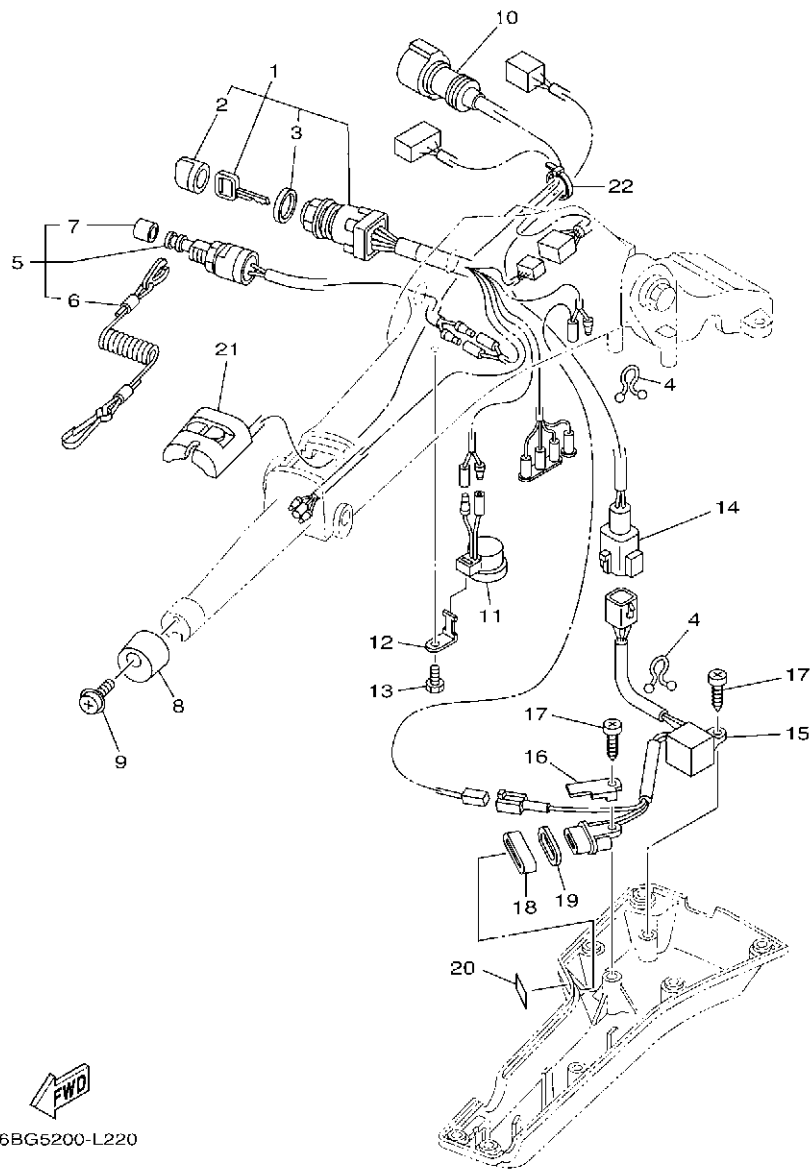
FIG. 22 STEERING 1

DIRECTION 1

REF. NO.	PART NO. N° PIECES	DESCRIPTION DESCRIPTION	ET	ED	EHD	REMARKS REMARQUES
55	63D-42121-22-8D	BRACKET SUPPORT			1	
56	90101-12014	BOLT BOULON			1	
57	92990-12200	WASHER, PLAIN RONDELLE, PLATE			1	
58	90206-12M22	WASHER, WAVE RONDELLE, ONDULEE			1	
59	90387-12M02	COLLAR COLLERETTE			1	
60	90201-12035	WASHER, PLATE RONDELLE, PLATE			2	
61	90386-12003	BUSH DOUILLE			2	
62	92990-12600	WASHER, PLATE RONDELLE, PLATE			1	
63	90185-12M12	NUT, SELF-LOCKING ECROU, AUTO-BLOQUANT			1	
64	6X4-42728-10	CAP CAPUCHON			1	

FIG. 23 STEERING 2

DIRECTION 2

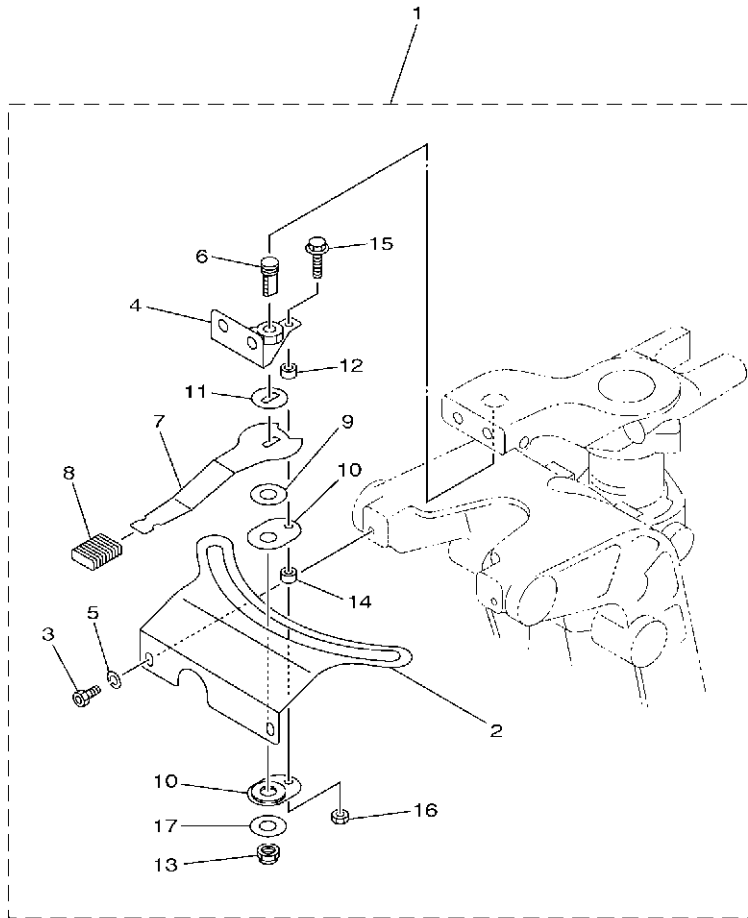


6BG5200-L220

REF. NO.	PART NO. N° PIECES	DESCRIPTION DESCRIPTION	ET	ED	EHD	REMARKS REMARQUES
1	6X4-82510-41	MAIN SWITCH ASSY CONTACTEUR A CLEF COMPLET			1	
2	676-82577-01	.CAP, KEY .CABOCHON			1	
3	703-82532-00	.CAP .COUVERCLE			1	
4	90464-08M07	CLAMP BRIDE			2	
5	69W-82575-00	ENGINE STOP SWITCH ASSY COUPE CIRCUIT CPLT			1	
6	682-82556-00	.LANYARD, STOP SWITCH .CORDON DU COUPE CIRCUIT			1	
7	689-8257Y-00	.CAP .COUVERCLE			1	
8	6X4-42728-00	CAP CAPUCHON			1	
9	97980-06216	SCREW, WITH WASHER VIS, AVEC RONDELLE			1	
10	6X4-82586-10	EXT., WIRE HARNESS (L:950MM) EXT., FAISCEAU DE FILS (L:950MM)			1	
11	6X4-83383-00	BUZZER RONFLEUR			1	
12	6X4-83386-00	STAY, BUZZER SUPPOR, RONFLEUR			1	
13	97D95-06014	BOLT, HEXAGON DEEP RECESS VIS HEXAGONAL			1	
14	6X4-83653-20	WIRE, LEAD (L:700MM) FIL (L:700MM)			1	
15	6C5-84301-00	PILOT LIGHT ASSY 1 LAMPE-TEMOIN 1			1	
16	6X4-44114-00	STOPPER PLAQUETTE			1	
17	97780-60620	SCREW, TAPPING VIS, TETE BOMBEE			2	
18	6X4-42727-00	GROMMET PASSE-FIL			1	
19	6FM-83589-00	GASKET GARNITURE			1	
20	6X4-85415-00	MARK, SIGNAL LAMP ETIQUETTE			1	
21	6X4-81860-00	SWITCH ASSY COMMUTATEUR COMPLET			1	
22	90465-13M36	CLAMP BRIDE			1	

FIG. 24 STEERING FRICTION

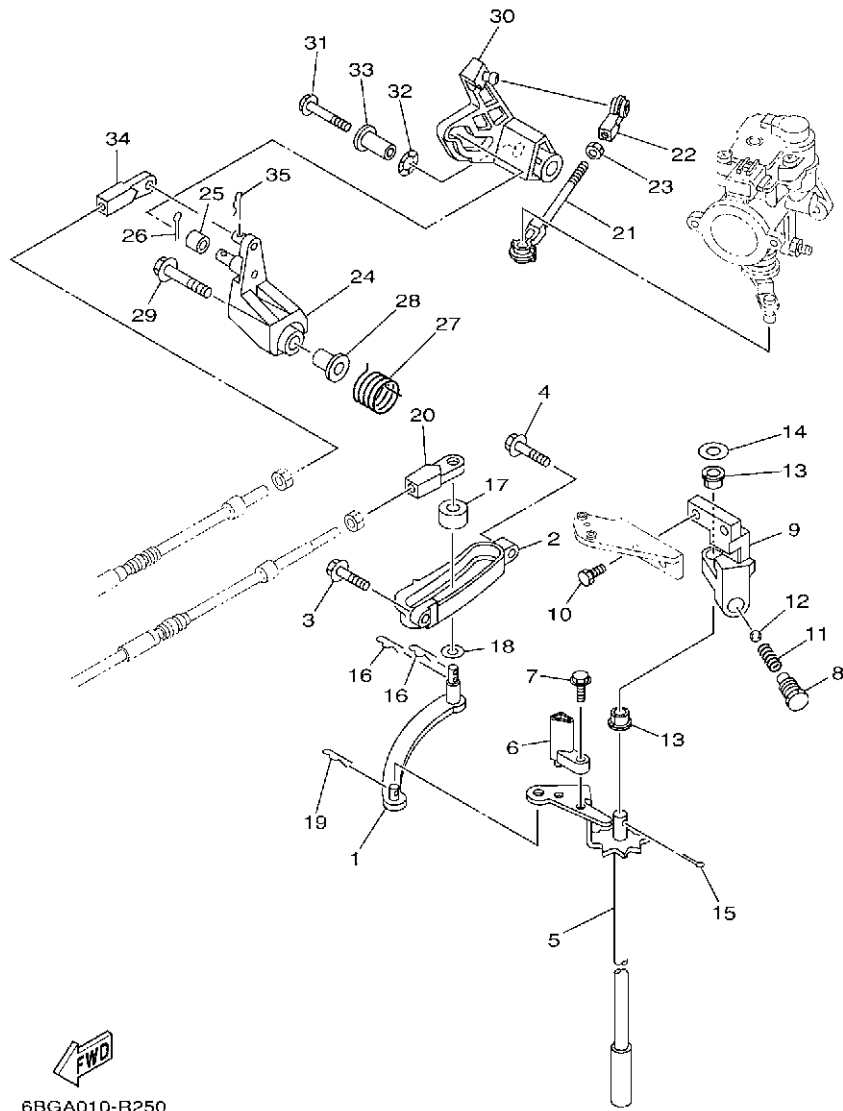
CUVETTE POIGNEE DE DIRECTION



REF. NO.	PART NO. N° PIECES	DESCRIPTION DESCRIPTION	ET	ED	EHD	REMARKS REMARQUES
1	67C-42508-04	STEERING FRICTION ASSY DIRECTION FRICTION (ENS.)			1	
2	67C-42527-03	.PLATE, FRICTION .PLAQUE, FRICTION			1	
3	90109-06M88	.BOLT .BOULON			2	
4	67C-42525-00	.PLATE, FRICTION .PLAQUE, FRICTION			1	
5	92990-06100	.WASHER, SPRING .RONDELLE, GROWER			2	
6	67C-42562-A0	.SHAFT, STEERING LOCK .ARBRE, ANTIVOL DE DIRECTION			1	
7	67C-42561-00	.KNOB, STEERING LOCK .BOUTON			1	
8	689-43633-00	.COVER, TILT LEVER .COUVERCLE			1	
9	90202-10M56	.WASHER, PLATE .RONDELLE, PLATE			1	
10	65W-42528-00	.PLATE, FRICTION .PLAQUE, FRICTION			2	
11	90209-10M26	.WASHER .RONDELLE			1	
12	90387-05053	.COLLAR .COLLERETTE			1	
13	90185-10M14	.NUT, SELF-LOCKING .ECROU, AUTO-BLOQUANT			1	
14	90387-05054	.COLLAR .COLLERETTE			1	
15	97595-05520	.BOLT, WITH WASHER .VIS HEXAGONAL AVC RONDELLE			1	
16	95380-05600	.NUT .ECROU			1	
17	90201-106M5	.WASHER, PLATE .RONDELLE, PLATE			1	



6BTB100-S240

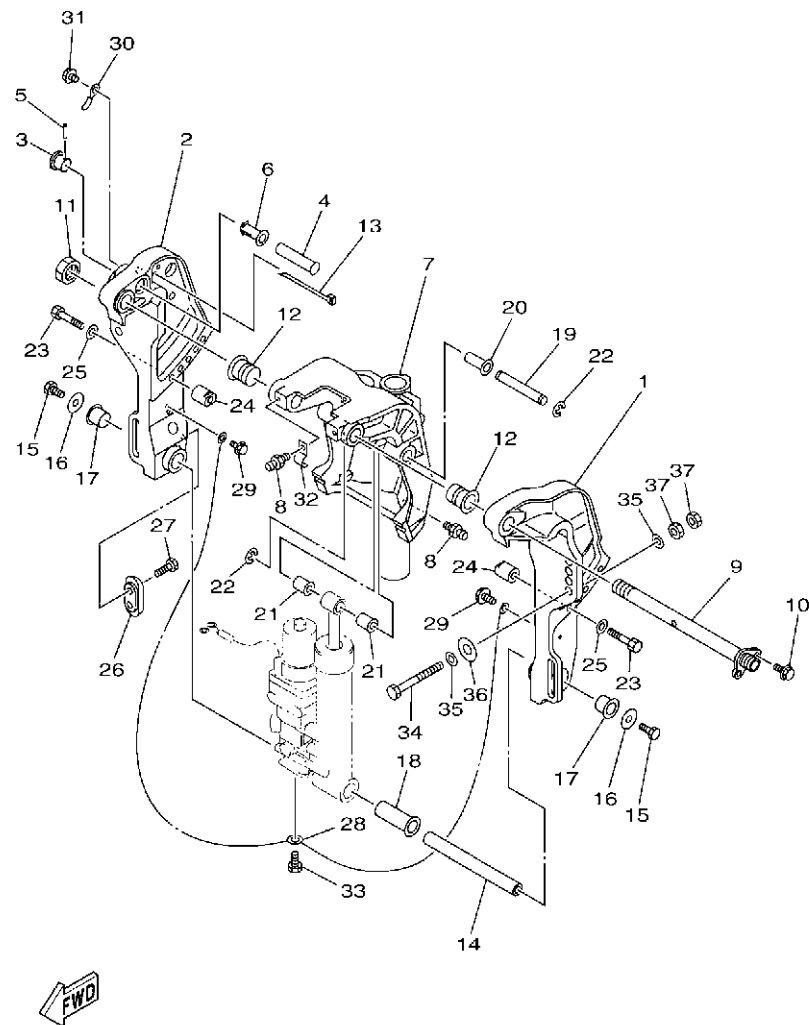


6BGA010-R250

FIG. 25 CONTROL

COMMANDE

REF. NO.	PART NO. N° PIECES	DESCRIPTION DESCRIPTION	EI	ED	EHD	REMARKS REMARQUES
1	69W-44121-00	LEVER, SHIFT ROD LEVIER, TIGE D'INVERSION	1	1	1	
2	62Y-44117-01	BRACKET SUPPORT	1	1	1	
3	97E95-06520	BOLT, HEXAGON W/W DEEP RECESS VIS HEXAGONAL AVC RONDELLE	1	1	1	
4	97E95-06525	BOLT, HEXAGON W/W DEEP RECESS VIS HEXAGONAL AVC RONDELLE	1	1	1	
5	6BG-44120-01	HANDLE GEAR SHIFT ASSY LEVIER D'EMBRAYAGE	1		1	S(16.3") S(16.3")
6	6C5-44120-02	HANDLE GEAR SHIFT ASSY LEVIER D'EMBRAYAGE	1	1	1	L(21.1") L(21.1")
6	6C5-44122-00	BUSHING, SHIFT ROD LEVER DOUILLE, LEVIER D'EMBRAYAGE	1	1	1	
7	97595-05514	BOLT, WITH WASHER VIS HEXAGONAL AVC RONDELLE	1	1	1	
8	62Y-42715-01	BUSHING COUSSINET	1	1	1	
9	62Y-44118-00-94	BRACKET SUPPORT	1	1	1	
10	90101-06054	BOLT BOULON	2	2	2	
11	90501-12082	SPRING, COMPRESSION RESSORT, COMPRESSION	1	1	1	
12	93501-04M02	BALL BILLE	1	1	1	
13	90386-90M90	BUSH DOUILLE	2	2	2	
14	90201-10M20	WASHER, PLATE RONDELLE, PLATE	1	1	1	
15	91490-20015	PIN, COTTER GOUILLE	1	1	1	
16	90468-18008	CLIP JONC	2	2	2	
17	688-44122-00	BUSHING, SHIFT ROD LEVER DOUILLE, LEVIER D'EMBRAYAGE	1	1	1	
18	90202-07M07	WASHER, PLATE RONDELLE, PLATE	1	1	1	
19	90468-18008	CLIP JONC	1	1	1	
20	69W-48344-00	CABLE END, REMOTE CONTROL CHAPE CABLE	1	1	1	
21	6J8-41237-00	JOINT, LINK RACCORD	1	1	1	
22	682-41237-00	JOINT, LINK RACCORD	1	1	1	
23	95380-05700	NUT ECROU	1	1	1	
24	62Y-42154-A0	LEVER, THROTTLE CONTROL LEVIER DE COMMANDE D'AVANCE	1	1	1	
25	6C5-42171-00	BUSHING COUSSINET	1	1	1	
26	91490-16010	PIN, COTTER GOUILLE	1	1	1	



6BGC100-S260

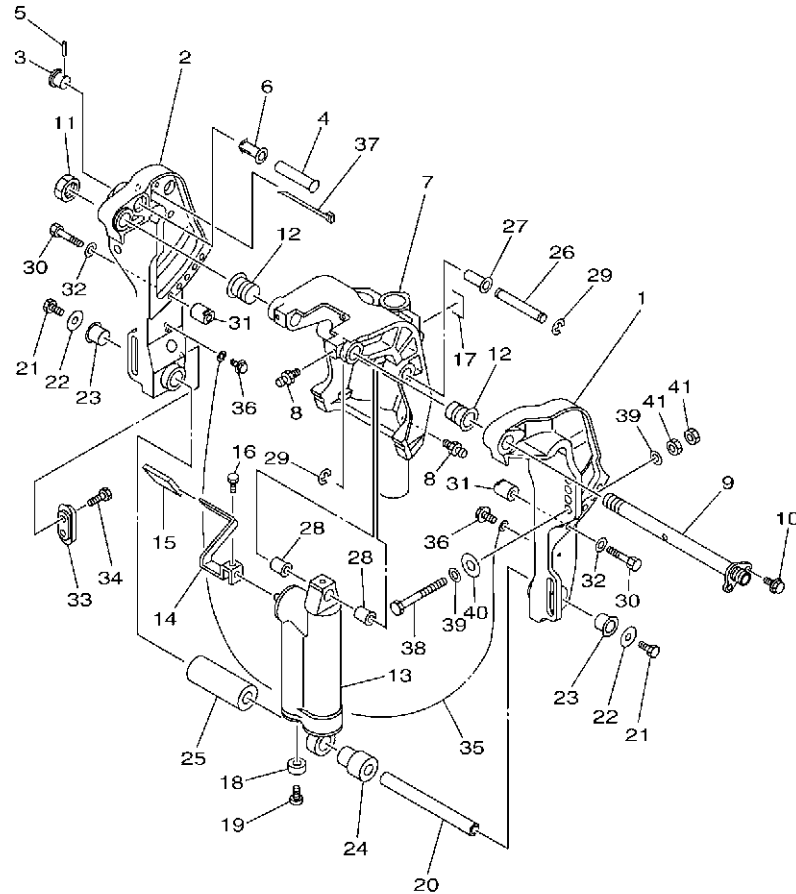
FIG. 26 BRACKET 1

SUPPORT 1

REF. NO.	PART NO. N° PIECES	DESCRIPTION DESCRIPTION	ET	ED	EHD	REMARKS REMARQUES
1	6K9-43111-10-8D	BRACKET, CLAMP 1 PRESSE 1	1			
2	6BG-43112-10-8D	BRACKET, CLAMP 2 PRESSE 2	1			
3	65W-43192-00	KNOB, STOPPER BOUTON, BUTEE DE RELEVAGE	1			
4	65W-43191-00	SHAFT, STOPPER AXE, BUTEE	1			
5	91690-30018	PIN, SPRING AGRAFFE	1			
6	90386-14MA1	BUSH DOUILLE	1			
7	6BG-43311-00-8D	BRACKET, SWIVEL 1 SUPPORT, PIVOT 1	1			S(16.3")
	6BG-43311-10-8D	BRACKET, SWIVEL 1 SUPPORT, PIVOT 1	1			S(16.3") L(21.1")
8	93700-06M03	NIPPLE, GREASE PION	3			
9	6K9-43131-01	BOLT, CLAMP BRACKET BOULON, PRESSE	1			
10	97E95-08520	BOLT, HEXAGON W/W DEEP RECESS VIS HEXAGONAL AVC RONDELLE	1			
11	90185-22043	NUT, SELF-LOCKING ECROU, AUTO-BLOQUANT	1			
12	90386-22MA4	BUSH DOUILLE	2			
13	90465-13M11	CLAMP BRIDE	2			
14	90249-18M35	PIN GOUPILLE	1			
15	97080-08016	BOLT BOULON	2			
16	90201-08M00	WASHER, PLATE RONDELLE, PLATE	2			
17	90386-18M44	BUSH DOUILLE	2			
18	90386-18MA0	BUSH DOUILLE	1			
19	90249-12M38	PIN GOUPILLE	1			
20	90381-12M10	BUSH, SOLID DOUILLE, SOLIDE	1			
21	90381-12M11	BUSH, SOLID DOUILLE, SOLIDE	2			
22	99080-10600	CIRCLIP CIRCLIP	2			
23	97D95-10050	BOLT, HEXAGON DEEP RECESS VIS HEXAGONAL	2			
24	6BG-43654-A0	NUT 1 ECROU 1	2			
25	92995-10600	WASHER RONDELLE	2			
26	65W-45251-00	ANODE ANODE	1			

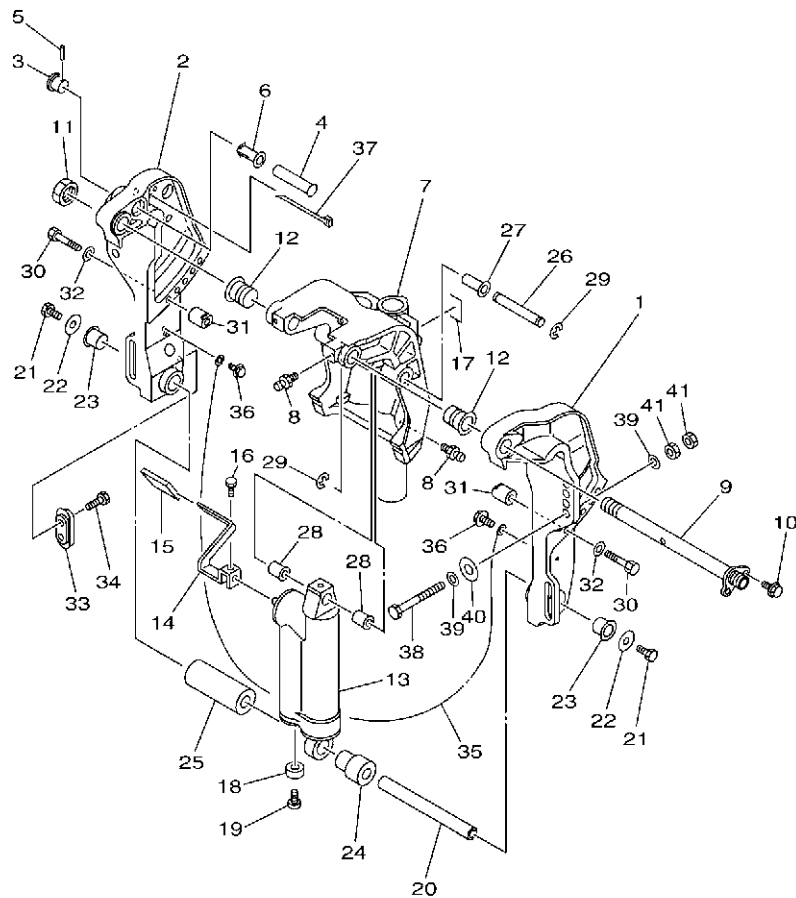
FIG. 27 BRACKET 2

SUPPORT 2



6BGB100-S270

REF. NO.	PART NO. N° PIECES	DESCRIPTION DESCRIPTION	ET	ED	EHD	REMARKS REMARQUES
1	6K9-43111-10-8D	BRACKET, CLAMP 1 PRESSE 1		1	1	
2	6BG-43112-10-8D	BRACKET, CLAMP 2 PRESSE 2		1	1	
3	65W-43192-00	KNOB, STOPPER BOUTON, BUTEE DE RELEVAGE		1	1	
4	65W-43191-00	SHAFT, STOPPER AXE, BUTEE		1	1	
5	91690-30018	PIN, SPRING AGRAFFE		1	1	
6	90386-14MA1	BUSH DOUILLE		1	1	
7	6BG-43311-00-8D	BRACKET, SWIVEL 1 SUPPORT, PIVOT 1			1	S(16.3") S(16.3")
	6BG-43311-10-8D	BRACKET, SWIVEL 1 SUPPORT, PIVOT 1		1	1	L(21.1") L(21.1")
8	93700-06M03	NIPPLE, GREASE PION		3		
	93700-06M03	NIPPLE, GREASE PION			1	
9	6K9-43131-01	BOLT, CLAMP BRACKET BOULON, PRESSE		1	1	
10	97E95-08520	BOLT, HEXAGON W/W DEEP RECESS VIS HEXAGONAL AVC RONDELLE		1	1	
11	90185-22043	NUT, SELF-LOCKING ECROU, AUTO-BLOQUANT		1	1	
12	90386-22MA4	BUSH DOUILLE		2	2	
13	67C-43107-02-8D	SHOCK ABSORBER SUB-ASSY AMORTISSEUR (ENS.)			1	S(16.3") S(16.3")
	67C-43107-12-8D	SHOCK ABSORBER SUB-ASSY AMORTISSEUR (ENS.)		1	1	L(21.1") L(21.1")
14	67C-43631-00	LEVER, TILT LEVIER, INCLINAISON		1	1	
15	682-43318-01	COVER CAPUCHON		1	1	
16	97D95-06010	BOLT, HEXAGON DEEP RECESS VIS HEXAGONAL		1	1	
17	63D-43691-00	INDICATOR, TILT ETIQUETTE, RELEVAGE		1	1	
18	663-45251-00	ANODE ANODE		1	1	
19	90152-06M01	SCREW, COUNTERSUNK VIS, TETE NOYEE		1	1	
20	90249-18M35	PIN GOUPILLE		1	1	
21	97080-08016	BOLT BOULON		2	2	
22	90201-08M00	WASHER, PLATE RONDELLE, PLATE		2	2	
23	90386-18M44	BUSH DOUILLE		2	2	
24	90386-18MA5	BUSH DOUILLE		1	1	



6BGB100-S270

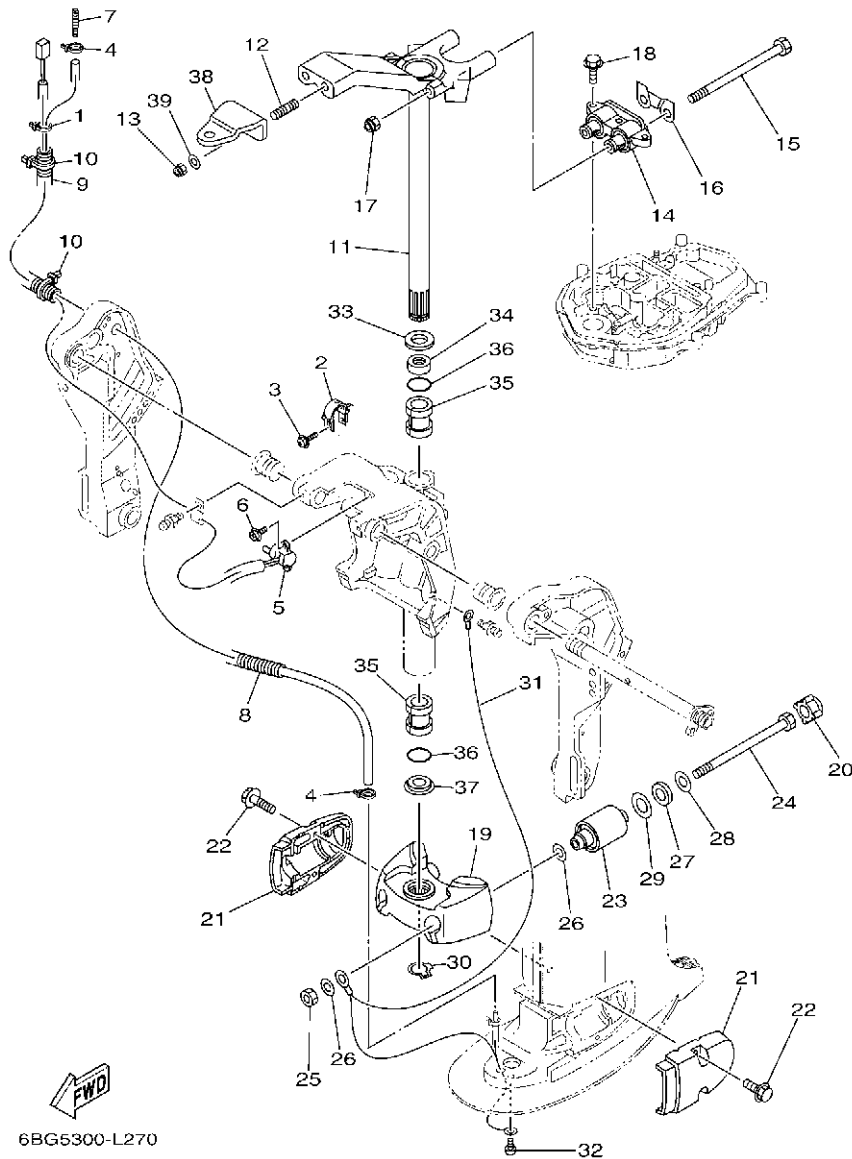
FIG. 27 BRACKET 2

SUPPORT 2

REF. NO.	PART NO. N° PIECES	DESCRIPTION DESCRIPTION	ET	ED	EHD	REMARKS REMARQUES
25	90387-18M03	COLLAR COLLERETTE		1	1	
26	90249-12M38	PIN GOUILLE		1	1	
27	90381-12M10	BUSH, SOLID DOUILLE, SOLIDE		1	1	
28	90381-12M11	BUSH, SOLID DOUILLE, SOLIDE		2	2	
29	99080-10600	CIRCLIP CIRCLIP		2	2	
30	97D95-10050	BOLT, HEXAGON DEEP RECESS VIS HEXAGONAL		2	2	
31	6BG-43654-A0	NUT 1 ECROU 1		2	2	
32	92995-10600	WASHER RONDELLE		2	2	
33	65W-45251-00	ANODE ANODE		1	1	
34	90101-06020	BOLT BOULON		2	2	
35	67C-82127-20	WIRE, LEAD 2 FIL 2		1	1	
36	97E95-06514	BOLT, HEXAGON W/W DEEP RECESS VIS HEXAGONAL AVC RONDELLE		2	2	
37	90465-13M11	CLAMP BRIDE		1	1	
38	90101-12M65	BOLT BOULON		4	4	
39	90201-12062	WASHER, PLATE RONDELLE, PLATE		8	8	
40	90201-12426	WASHER, PLATE RONDELLE, PLATE		4	4	
41	95380-12600	NUT ECROU		8	8	

FIG. 28 BRACKET 3

SUPPORT 3

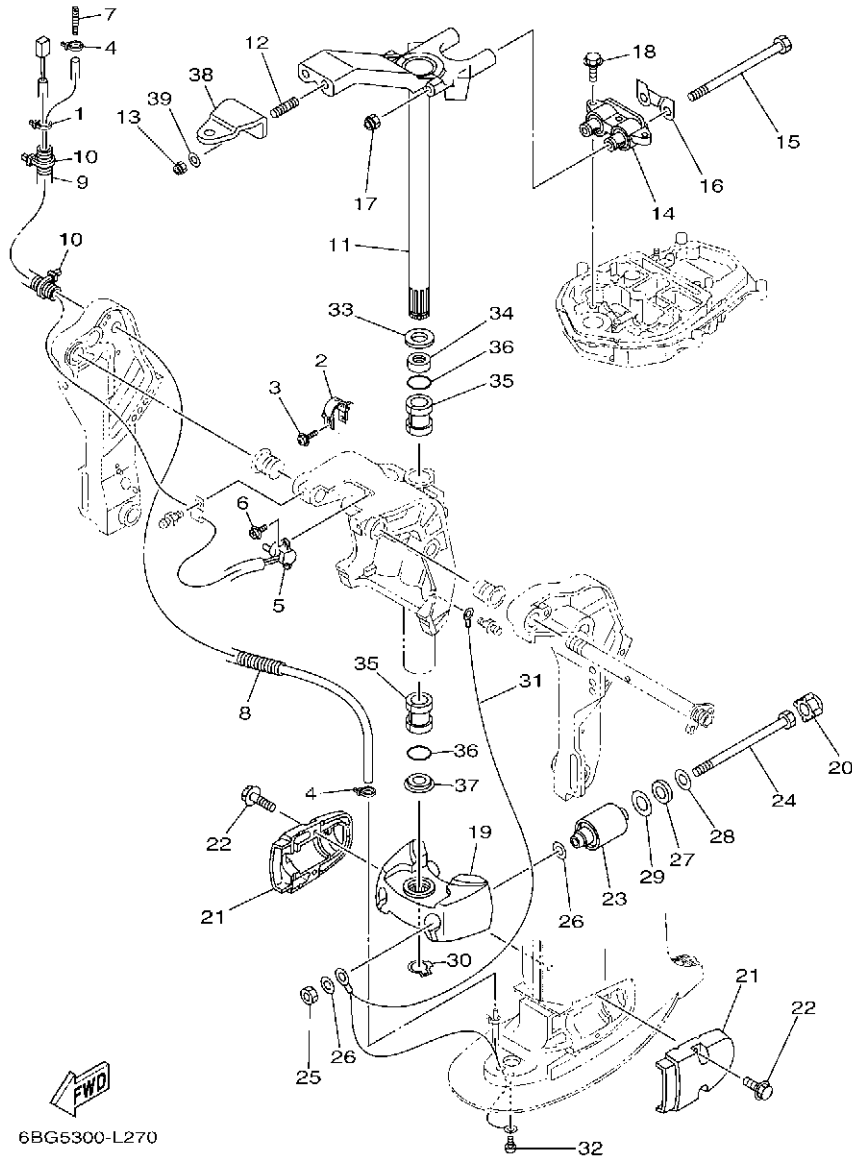


6BG5300-L270

REF. NO.	PART NO. N° PIECES	DESCRIPTION DESCRIPTION	ET	ED	EHD	REMARKS REMARQUES
1	90465-11M10	CLAMP BRIDE	1			
2	6K9-43139-10	CAM, TRIM SENDER VILEBREQUIN TRUM	1			
3	90159-05059	SCREW, WITH WASHER VIS, AVEC RONDELLE	1			
4	90465-11M10	CLAMP BRIDE	2	2	2	
5	67H-83672-01	TRIM SENDER INCLINER RACCORD	1			
6	97985-06216	SCREW, WITH WASHER VIS, AVEC RONDELLE	2			
7	6E5-83558-00	END, NIPPLE RACCORD DE NIPPLE	1	1	1	
8	6BG-44385-00	HOSE, WATER 1 TUBE D'EAU 1	1		1	S(16.3") S(16.3")
	6BG-44385-10	HOSE, WATER 1 TUBE D'EAU 1	1	1	1	L(21.1") L(21.1")
9	90447-19014	TUBE (L300) DURITE (L300)	1			
10	90465-13M18	CLAMP BRIDE	2			
11	6BG-42510-00-8D	STEERING BRACKET ASSY DIRECTION SUPPORT (ENS.)	1		1	S(16.3") S(16.3")
	6BG-42510-10-8D	STEERING BRACKET ASSY DIRECTION SUPPORT (ENS.)	1	1	1	L(21.1") L(21.1")
12	90116-10063	BOLT, STUD GOUJON	2	2	2	
13	90185-10027	NUT, SELF-LOCKING ECROU,AUTO-BLOQUANT	2	2	2	
14	67C-44514-00	MOUNT DAMPER, UPPER SIDE SILENT-BLOC, SUPERIEUR LATERAL	1		1	S(16.3") S(16.3")
	67C-44514-10	MOUNT DAMPER, UPPER SIDE SILENT-BLOC, SUPERIEUR LATERAL	1	1	1	L(21.1") L(21.1")
15	90109-08229	BOLT BOULON	2	2	2	
16	66T-44526-30	PLATE PLAQUE	1	1	1	
17	90185-08018	NUT, SELF-LOCKING ECROU,AUTO-BLOQUANT	2	2	2	
18	97E75-08530	BOLT, HEXAGON W/W DEEP RECESS VIS HEXAGONAL AVC RONDELLE	3	3	3	
19	67C-44551-01-8D	HOUSING, LOWER MOUNT RUBBER 1 BOITIER, SILENT-BLOC INFERIEUR	1		1	S(16.3") S(16.3")
	6C5-44551-00-8D	HOUSING, LOWER MOUNT RUBBER 1 BOITIER, SILENT-BLOC INFERIEUR	1	1	1	L(21.1") L(21.1")
20	69W-44575-00	DAMPER, LOWER MOUNT RUBBER SILENT-BLOC, INFERIEUR	2	2	2	
21	6C5-44552-00-8D	HOUSING, LOWER MOUNT RUBBER 2 BOITIER, SILENT-BLOC INFERIEUR	2	2	2	
22	90119-08094	BOLT, WITH WASHER BOULON, AVEC RONDELLE	4	4	4	
23	67C-44555-21	MOUNT DAMPER, LOWER SIDE SILENT-BLOC, INFERIEUR LATERAL	2		2	S(16.3") S(16.3")

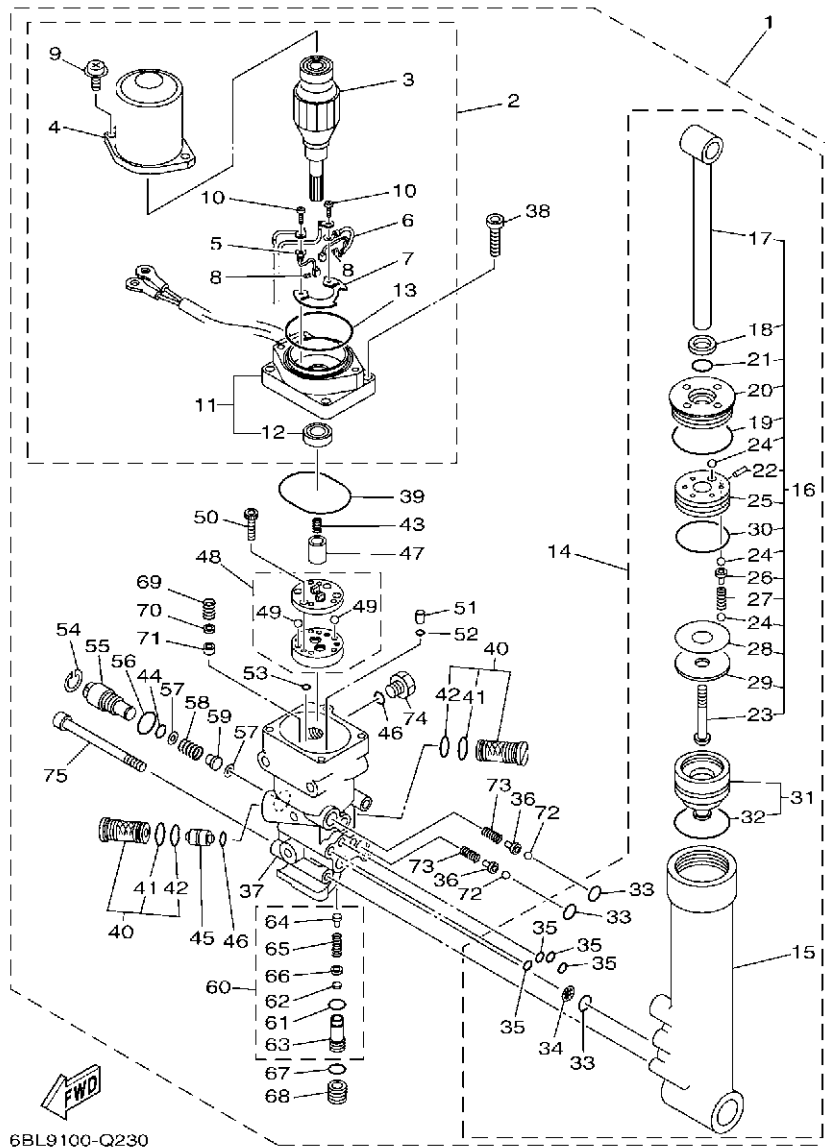
FIG. 28 BRACKET 3

SUPPORT 3



6BG5300-L270

REF. NO.	PART NO. N° PIECES	DESCRIPTION DESCRIPTION	ET	ED	EHD	REMARKS REMARQUES
23	67C-44555-11	MOUNT DAMPER, LOWER SIDE SILENT-BLOC, INFÉRIEUR LATERAL	2	2	2	L(21.1") L(21.1")
24	90109-12MA3	BOLT BOULON	2	2	2	
25	95380-12700	NUT ECROU	2	2	2	
26	90201-12M16	WASHER, PLATE RONDELLE, PLATE	4	4	4	
27	90202-21100	WASHER, PLATE RONDELLE, PLATE	2	2	2	
28	90201-13M19	WASHER, PLATE RONDELLE, PLATE	2	2	2	
29	90201-22M05	WASHER, PLATE RONDELLE, PLATE	2	2	2	
30	93410-28M06	CIRCLIP CIRCLIP	1	1	1	
31	67C-82127-00	WIRE, LEAD 2 FIL 2	1		1	S(16.3") S(16.3")
	67C-82127-10	WIRE, LEAD 2 FIL 2	1	1	1	L(21.1") L(21.1")
32	97885-06008	SCREW, PAN HEAD VIS, A ENCOCHE	1	1	1	
33	90201-30M00	WASHER, PLATE RONDELLE, PLATE	1	1	1	
34	90386-30M78	BUSH DOUILLE	1	1	1	
35	90386-30M77	BUSH DOUILLE	2	2	2	
36	93210-29M94	O-RING JOINT TORIQUE	2	2	2	
37	90386-30M60	BUSH DOUILLE	1	1	1	
38	65W-48511-01	HOOK, STEERING ATTACHE, DIRECTION	1	1		
39	90201-10049	WASHER, PLATE RONDELLE, PLATE	2	2		

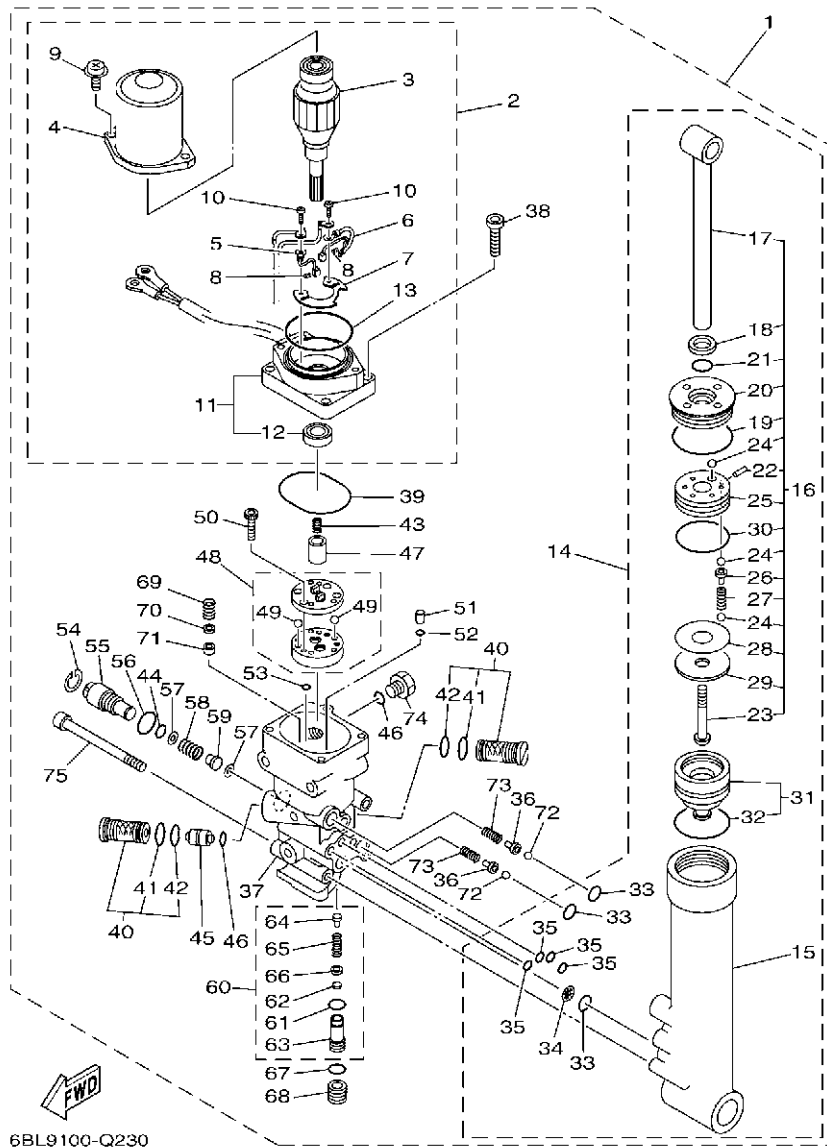


6BL9100-Q230

FIG. 29 POWER TRIM & TILT ASSY

PUISSANCE PARER ET INCLINER

REF. NO.	PART NO. N° PIECES	DESCRIPTION DESCRIPTION	ET	ED	EHD	REMARKS REMARQUES
1	67C-43800-12-8D	POWER TRIM & TILT ASSY PUISSANCE PARER ET INCLINER (E)	1			
2	67C-43880-10	.MOTOR ASSY .MOTEUR (ENS.)	1			
3	67C-43805-11	.ARMATURE ASSY .INDUIT (ENS.)	1			
4	67C-43804-10	.STATOR ASSY .STATOR (ENS.)	1			
5	67C-43892-10	.BRUSH 2 .BALAI 2	1			
6	67C-82181-10	.CIRCUIT BREAKER COMP. .RUPTEUR COMPLET	1			
7	67C-4380F-10	.PLATE, BRUSH HOLDER .PLAQUE	1			
8	67C-4386K-10	.SPRING, BRUSH .RESSORT, BALAI	2			
9	67C-43879-10	.SCREW, WITH WASHER .VIS, AVEC RONDELLE	2			
10	97602-04316	.SCREW, PAN HEAD WITH WASHER .VIS, AVEC RONDELLE	2			
11	67C-43881-10	.FRAME, END .BATI	1			
12	67C-43882-10	...OIL SEAL ...JOINT SPI	1			
13	67C-43862-10	...O-RING ...JOINT TORIQUE	1			
14	67C-43840-01	.POWER TILT ASSY .PUISSANCE INCLINER (ENS.)	1			
15	65W-4380K-00	.CYLINDER, TILT SUB ASSY .CYLINDRE	1			
16	67C-43810-01	.TILT PISTON SUB ASSY ...INCLINER PISTON AUXILIAIRE(ENS)	1			
17	65W-43801-01	...ROD ...TIGE	1			
18	65W-43812-00	...SEAL, DUST ...JOINT	1			
19	65W-43865-00	...O-RING ...JOINT TORIQUE	1			
20	65W-43811-01	...SCREW, CYLINDER END ...VIS, CYLINDRE RACCORD	1			
21	67C-43867-00	...O-RING ...JOINT TORIQUE	1			
22	91609-16012	...PIN, SPRING ...AXE DE RESSORT	1			
23	92012-10040	...BOLT, BUTTON HEAD ...BOULON, TETE BOUTON	1			
24	93505-32038	...BALL ...BILLE	11			
25	65W-4385A-01	...PISTON, TILT ...PISTON	1			
26	65W-4386A-00	...PIN, ABSORBER VALVE ...GOUPILLE, SOUPAPE	5			
27	67C-43857-00	...SPRING, ABSORBER VALVE ...RESSORT	5			

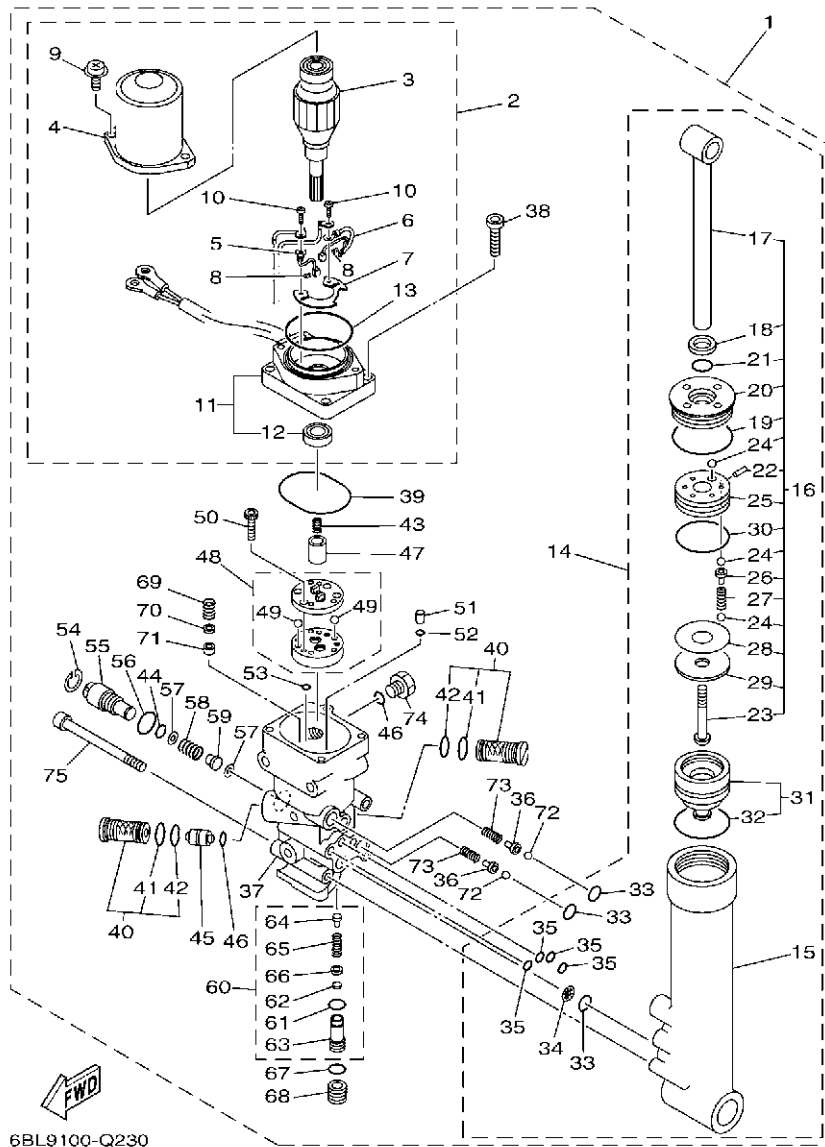


6BL9100-Q230

FIG. 29 POWER TRIM & TILT ASSY

PUISSANCE PARER ET INCLINER

REF. NO.	PART NO. N° PIECES	DESCRIPTION DESCRIPTION	ET	ED	EHD	REMARKS REMARQUES
28	15A-22442-00	...SHIM ...CALE	1			UN UN
29	90201-10038	...WASHER, PLATE ...RONDELLE, PLATE	1			
30	6H1-43862-00	...O-RING ...JOINT TORIQUE	1			
31	65W-4381B-00	..FREE PISTON SUB ASSY ..PISTON AUXILIAIRE (ENS.)	1			
32	6H1-43861-10	...O-RING ...JOINT TORIQUE	1			
33	93210-11368	..O-RING ..JOINT TORIQUE	3			
34	69J-4381C-00	..FILTER 3 ..FILTRE 3	1			
35	93210-064A5	..O-RING ..JOINT TORIQUE	4			
36	65W-4386A-00	..PIN, ABSORBER VALVE ..GOUPILLE, SOUPAPE	2			
37	67C-4380L-03	..HOUSING, TRIM & TILT SUB ASSY ..CARTER	1			
38	91380-06020	..BOLT ..BOULON	4			
39	93210-50768	..O-RING ..JOINT TORIQUE	1			
40	67F-43802-00	..VALVE SUB ASSY ..CLAPET AUXILIAIRE (ENS.)	2			
41	6H1-43866-01	..O-RING ..JOINT TORIQUE	1			
42	93210-12N52	..O-RING ..JOINT TORIQUE	1			
43	6T4-43853-00	..SPRING, MAIN VALVE ..RESSORT	1			
44	93210-10M74	..O-RING ..JOINT TORIQUE	1			
45	62X-43841-00	..PISTON, SHUTTLE ..PISTON	1			
46	93210-09165	..O-RING ..JOINT TORIQUE	2			
47	65W-43831-00	..CONNECTOR, SHAFT ..RACCORD	1			
48	65W-43830-00	..GEAR PUMP ASSY ..POMPE A PIGNON (ENS.)	1			
49	93505-32038	..BALL ..BILLE	2			
50	91318-04025	..BOLT ..BOULON	4			
51	65W-43817-00	..FILTER 2 ..FILTRE 2	2			
52	93210-04N50	..O-RING ..JOINT TORIQUE	2			
53	93210-04N51	..O-RING ..JOINT TORIQUE	2			
54	6H1-43875-00	..RING, SNAP ..RESSORT	1			



6BL9100-Q230

FIG. 29 POWER TRIM & TILT ASSY

PUISSANCE PARER ET INCLINER

REF. NO.	PART NO. N° PIECES	DESCRIPTION DESCRIPTION	ET	ED	EHD	REMARKS REMARQUES
55	6H1-43845-00	.SCREW, MANUAL RELEASE .VIS	1			
56	6D8-43863-00	.O-RING .JOINT TORIQUE	1			
57	6H1-43847-00	.SEAT, MANUAL VALVE .SIEGE	2			
58	65W-43854-00	.SPRING, MANUAL RELEASE .RESSORT	1			
59	65W-4382A-00	.ADAPTOR 1 .ADAPTEUR 1	1			
60	CS2-43803-81	.CASE VALVE COMP. .CARTER VALVE COMP.	1			
61	93210-10M74	.O-RING .JOINT TORIQUE	1			
62	6H1-4384G-11	.SEAL, RELIEF VALVE .JOINT	1			
63	67C-43851-00	.SEAT, RELIEF VALVE .SIEGE	1			
64	67F-43843-00	.SCREW, VALVE LOCK .VIS	1			
65	6H1-43856-10	.SPRING, DOWN RELIEF .RESSORT	1			
66	6H1-43844-10	.PIN, VALVE SUPPORT .GOUPILLE	1			
67	93210-11073	.O-RING .JOINT TORIQUE	1			
68	65W-43843-00	.SCREW, VALVE LOCK .VIS	1			
69	6H1-43856-10	.SPRING, DOWN RELIEF .RESSORT	1			
70	6H1-43844-10	.PIN, VALVE SUPPORT .GOUPILLE	1			
71	6H1-4384F-10	.SEAL, MAIN VALVE .JOINT	1			
72	93501-08001	.BALL .BILLE	2			
73	65W-43853-00	.SPRING, MAIN VALVE .RESSORT	2			
74	6H1-43829-00	.PLUG, RESERVOIR .BOUCHON	1			
75	62X-43878-01	.BOLT, SOCKET .BOULON	3			

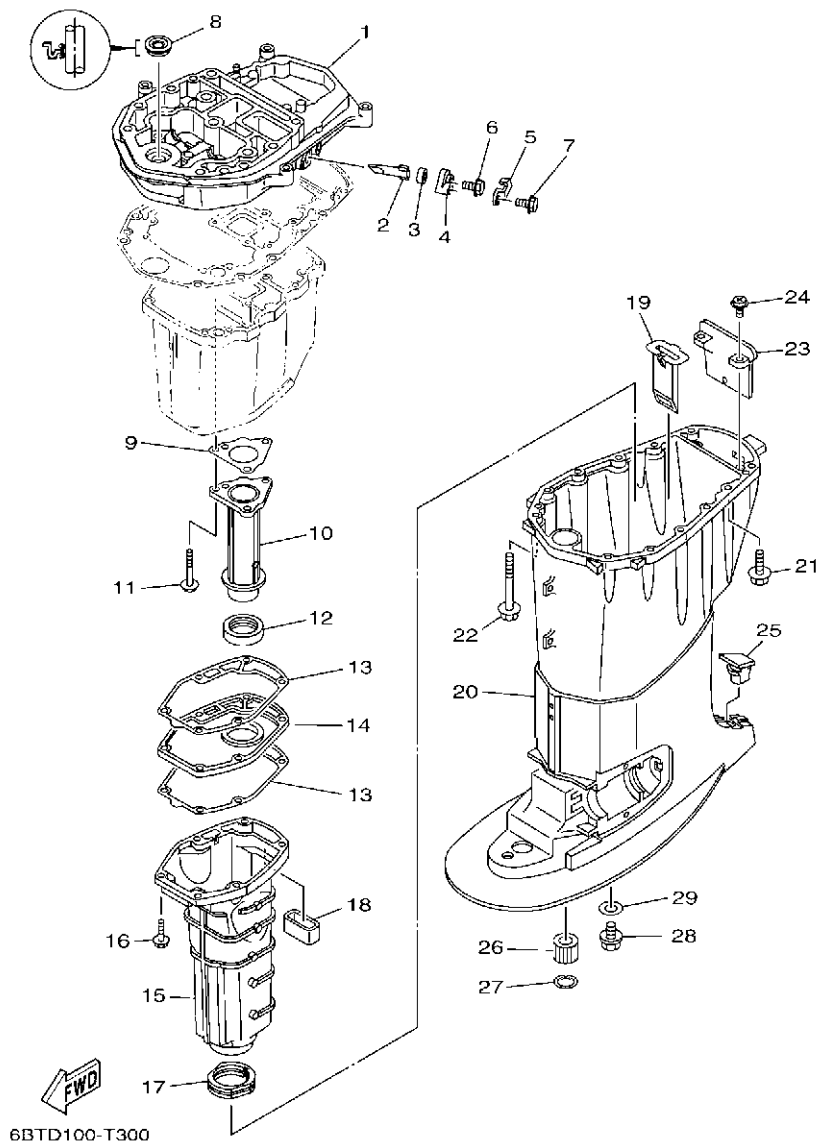


FIG. 30 UPPER CASING

FOURREAU

REF. NO.	PART NO. N° PIECES	DESCRIPTION DESCRIPTION	Et	Ed	Ehd	REMARKS REMARQUES
1	6BG-41137-10-CA	GUIDE, EXHAUST COLLECTEUR D'ECHAPPEMENT	1	1	1	
2	62Y-11325-00	ANODE ANODE	1	1	1	
3	66M-11328-00	GROMMET, ANODE PASSE-FIL	1	1	1	
4	66M-11327-00-94	COVER, ANODE COUVERCLE ANODE	1	1	1	
5	66M-12535-00	PLATE PLAQUE	1	1	1	
6	97595-05512	BOLT, WITH WASHER VIS HEXAGONAL AVC RONDELLE	1	1	1	
7	97513-06520	BOLT, WITH WASHER VIS HEXAGONAL AVC RONDELLE	1	1	1	
8	93103-16011	OIL SEAL JOINT SPY	1	1	1	
9	64J-41133-10	GASKET, EXHAUST MANIFOLD 1 JOINT, PIPE D'ECHAPPEMENT	1	1	1	
10	6BG-41131-A0-CA	MANIFOLD, EXT. 1 PIPE D'ECHAPPEMENT	1	1	1	
11	97E75-06550	BOLT, HEXAGON W/W DEEP RECESS VIS HEXAGONAL AVC RONDELLE	3	3	3	
12	64J-46132-10	GASKET 1 JOINT 1	1	1	1	
13	6BG-41134-00	GASKET, EXHAUST MANIFOLD JOINT, PIPE D'ECHAPPEMENT	2	2	2	
14	6BG-45181-00-CA	PLATE PLAQUETTE	1	1	1	
15	6BG-14711-00-CA	MUFFLER 1 POT D'ECHAPPEMENT 1	1		1	S(16.3") S(16.3")
	69W-14711-10-CA	MUFFLER 1 POT D'ECHAPPEMENT 1	1	1	1	L(21.1") L(21.1")
16	97E75-06525	BOLT, HEXAGON W/W DEEP RECESS VIS HEXAGONAL AVC RONDELLE	6	6	6	
17	67C-45123-00	GASKET, MUFFLER JOINT, POT DE DETENTE	1	1	1	
18	62Y-45127-00	SEAL JOINT	1	1	1	
19	64J-77123-00	GUIDE 1 GUIDE 1	1	1	1	
20	6BG-45111-00-8D	CASING, UPPER FOURREAU	1		1	S(16.3") S(16.3")
	6BG-45111-20-8D	CASING, UPPER FOURREAU	1	1	1	L(21.1") L(21.1")
21	97E75-08530	BOLT, HEXAGON W/W DEEP RECESS VIS HEXAGONAL AVC RONDELLE	4	4	4	
22	90119-08132	BOLT, WITH WASHER BOULON, AVEC RONDELLE	8	8	8	
23	67C-45151-00	COVER, UPPER CASING CAPUCHON, FOURREAU	1	1	1	
24	97980-05216	SCREW, WITH WASHER VIS, AVEC RONDELLE	2	2	2	
25	63D-45155-00	CAP CAPUCHON	1		1	S(16.3") S(16.3")

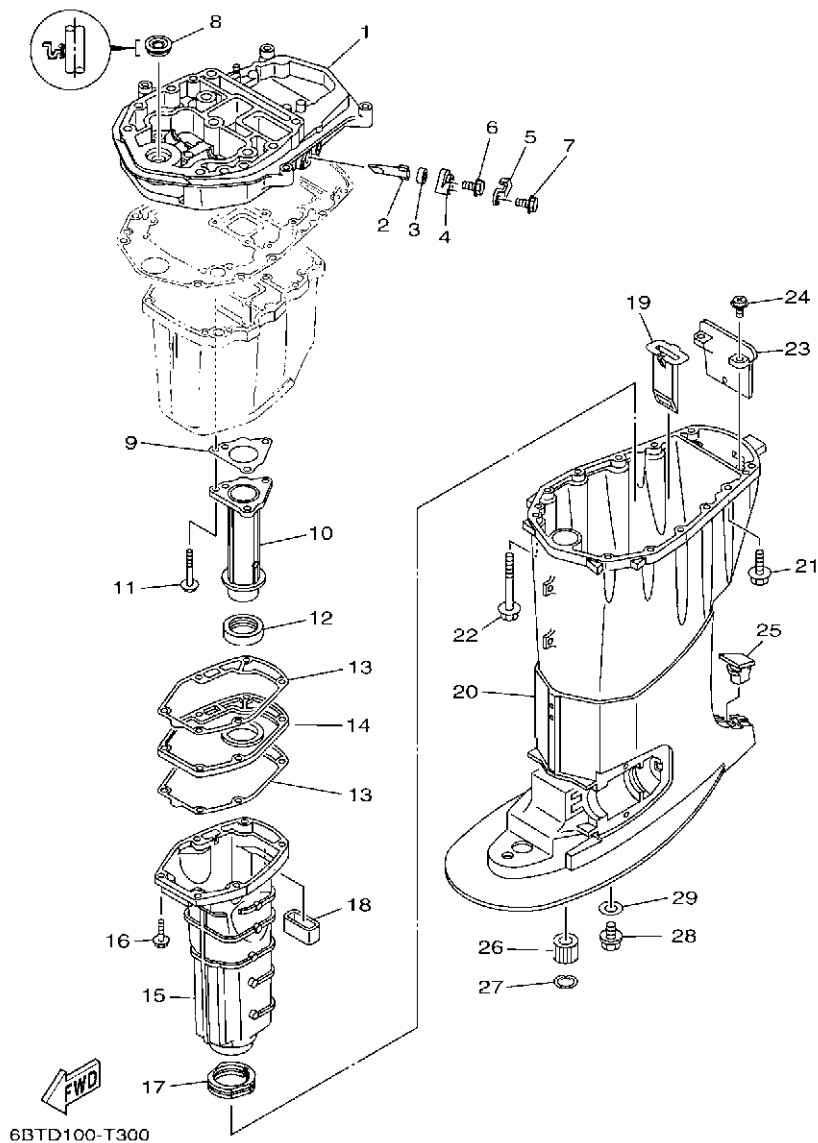


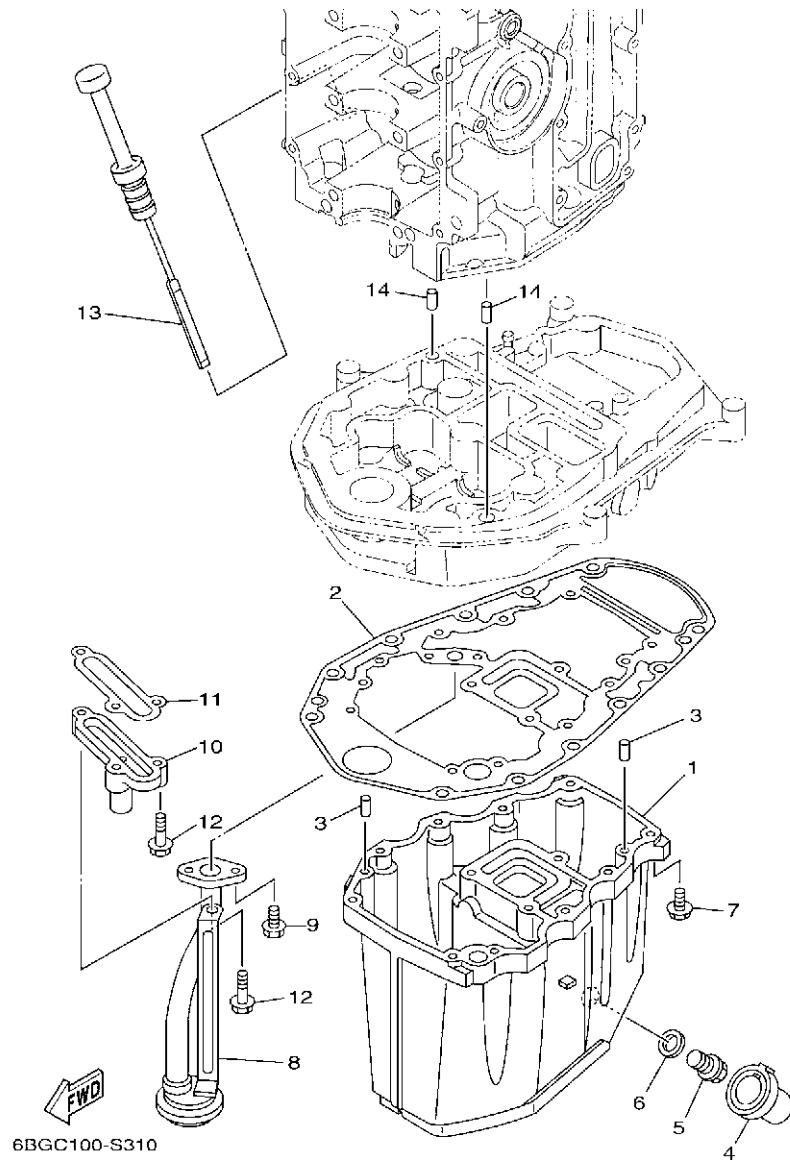
FIG. 30 UPPER CASING

FOURREAU

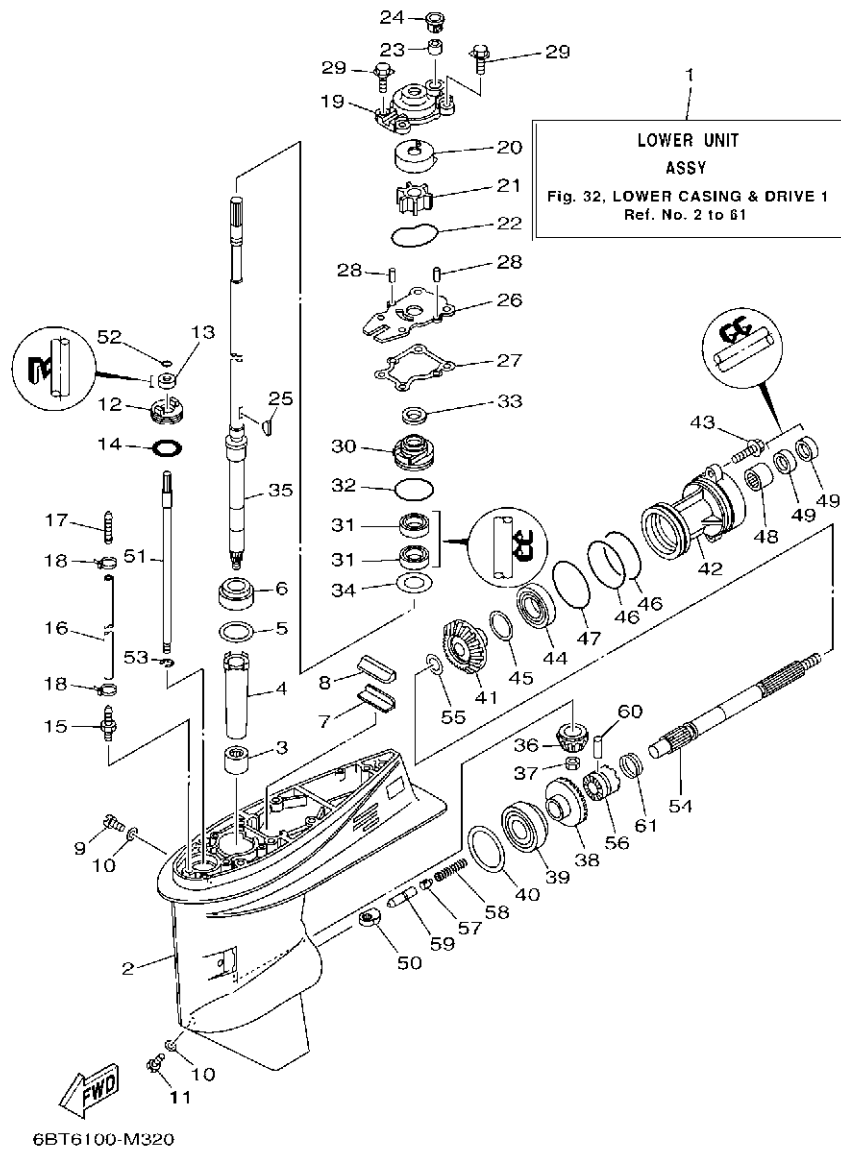
REF. NO.	PART NO. N° PIECES	DESCRIPTION DESCRIPTION	ET	ED	EHD	REMARKS REMARQUES
25	6C5-45155-00	CAP CAPUCHON	1	1	1	L(21.1") L(21.1")
26	6A0-45318-00	BUSHING, DRIVE SHAFT DOUILLE, ARBRE MOTEUR	1	1	1	L(21.1") L(21.1")
27	93420-36M01	CIRCLIP CIRCLIP, TYPE S	1	1	1	L(21.1") L(21.1")
28	90340-14M06	PLUG, STRAIGHT SCREW PLOT, FILETE DROIT	1	1	1	L(21.1") L(21.1")
29	90430-14M09	GASKET JOINT	1	1	1	L(21.1") L(21.1")
<hr/>						
<hr/>						
<hr/>						
<hr/>						
<hr/>						
<hr/>						
<hr/>						
<hr/>						
<hr/>						
<hr/>						

FIG. 31 OIL PAN

VENTILATEUR D'HUILE



REF. NO.	PART NO. N° PIECES	DESCRIPTION DESCRIPTION	ET	ED	EHD	REMARKS REMARQUES
1	6BG-15311-10-CA	OIL PAN VENTILATEUR D'HUILE	1	1	1	
2	69W-15312-01	GASKET, OIL PAN JOINT DE VENTILATEUR D'HUILE	1	1	1	
3	93606-12019	PIN, DOWEL GOUPILLE	4	4	4	
4	67C-15316-10	DAMPER 1 AMORTISSEUR 1	1	1	1	S(16.3") S(16.3")
	67C-15316-00	DAMPER 1 AMORTISSEUR 1	1	1	1	L(21.1") L(21.1")
5	90340-14M06	PLUG, STRAIGHT SCREW PLOT, FILETE DROIT	1	1	1	
6	90430-14M09	GASKET JOINT	1	1	1	
7	97E75-06525	BOLT, HEXAGON W/W DEEP RECESS VIS HEXAGONAL AVC RONDELLE	10	10	10	
8	62Y-13411-00	STRAINER, OIL FILTRE, HUILE	1	1	1	
9	97513-06516	BOLT, WITH WASHER VIS HEXAGONAL AVC RONDELLE	2	2	2	
10	6BG-11576-00-94	BODY, RELIEF CORPS DE SECURITE	1	1	1	
11	62Y-13475-00	GASKET JOINT	1	1	1	
12	97513-06525	BOLT, WITH WASHER VIS HEXAGONAL AVC RONDELLE	3	3	3	
13	6BG-15362-00	PLUG, OIL LEVEL PLOT, NIVEAU D'HUILE	1	1	1	
14	93608-12M05	PIN, DOWEL AXE	2	2	2	

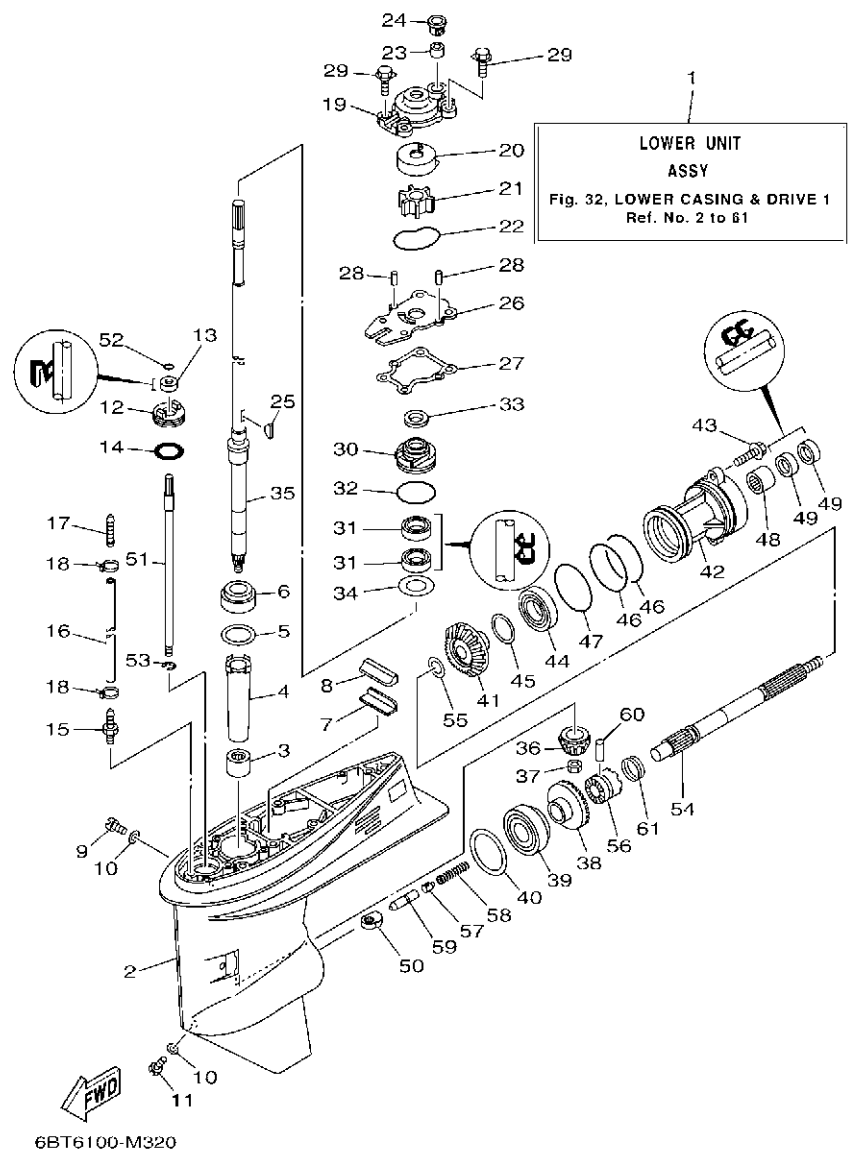


LOWER UNIT
ASSY
Fig. 32. LOWER CASING & DRIVE 1
Ref. No. 2 to 61

FIG. 32 LOWER CASING & DRIVE 1

BOITIER D'HELICE TRANSMISSION1

REF. NO.	PART NO. N° PIECES	DESCRIPTION DESCRIPTION	ET	ED	EHD	REMARKS REMARQUES
1	6BG-45300-00-8D	LOWER UNIT ASSY UNITE INFERIEURE (ENS.)	1		1	S(16.3") S(16.3")
	6BG-45300-10-8D	LOWER UNIT ASSY UNITE INFERIEURE (ENS.)	1	1	1	L(21.1") L(21.1")
2	62Y-45301-00-8D	CASING, LOWER BEQUILLE	1	1	1	
3	93315-32224	BEARING ROULEMENT	1	1	1	
4	6H4-45536-00	SLEEVE, DRIVE SHAFT MANCHON, ARBRE MOTEUR	1	1	1	
5	663-45587-01	SHIM (T:0.10MM) CALE (T:0.10MM)	1	1	1	UR
	663-45587-10	SHIM (T:0.12MM) CALE (T:0.12MM)	1	1	1	UR
	663-45587-20	SHIM (T:0.15MM) CALE (T:0.15MM)	1	1	1	UR
	663-45587-30	SHIM (T:0.18MM) CALE (T:0.18MM)	1	1	1	UR
	663-45587-40	SHIM (T:0.30MM) CALE (T:0.30MM)	1	1	1	UR
	663-45587-50	SHIM (T:0.40MM) CALE (T:0.40MM)	1	1	1	UR
	663-45587-60	SHIM (T:0.50MM) CALE (T:0.50MM)	1	1	1	UR
6	93332-00001	BEARING ROULEMENT	1	1	1	
7	663-45376-00	GUIDE, SEAL DAMPER BUTEE, JOINT CAOUTCHOUC	1	1	1	
8	63D-45375-00	DAMPER, SEAL BOURRELET, CAOUTCHOUC	1	1	1	
9	90340-08002	PLUG, STRAIGHT SCREW PLOT, FILETE DROIT	1	1	1	
10	90430-08003	GASKET JOINT	2	2	2	
11	688-45341-10	PLUG, DRAIN BOUCHON DE VIDANGE	1	1	1	
12	63D-45321-00	PLATE PLAQUETTE	1	1	1	
13	93106-09014	OIL SEAL JOINT SPY	1	1	1	
14	93210-33MG4	O-RING JOINT TORIQUE	1	1	1	
15	6E5-45378-00	NIPPLE, HOSE RACCORD, TUYAU	1	1	1	
16	90445-07ME8	HOSE (L80) DURITE (L80)	1	1	1	
17	6E5-83558-10	END, NIPPLE RACCORD DE NIPPLE	1	1	1	
18	90465-11M10	CLAMP BRIDE	2	2	2	
19	66T-44311-00	HOUSING, WATER PUMP CORPS, POMPE A EAU	1	1	1	
20	63D-44322-00	INSERT, CARTRIDGE CUVETTE	1	1	1	



6BT6100-M320

FIG. 32 LOWER CASING & DRIVE 1

BOITIER D'HELICE TRANSMISSION1

REF. NO.	PART NO. N° PIECES	DESCRIPTION DESCRIPTION	ET	ED	EHD	REMARKS REMARQUES
21	6H4-44352-02	IMPELLER TURBINE	1	1	1	
22	93210-59MG7	O-RING JOINT TORIQUE	1	1	1	
23	663-44366-00	DAMPER, WATER SEAL 2 JOINT, TUBE D'EAU 2	1	1	1	
24	63D-44312-00	COVER, WATER PUMP HOUSING COUVERCLE	1	1	1	
25	90280-03M03	KEY, WOODRUFF CLAVETTE, DEMI-LUNE	1	1	1	
26	63D-44323-00	OUTER PLATE, CARTRIDGE PLAQUE EXTERIEURE	1	1	1	
27	63D-44316-00	GASKET, WATER PUMP JOINT, POMPE A EAU	1	1	1	
28	93604-08062	PIN, DOWEL CLAVETTE	2	2	2	
29	90119-08M15	BOLT, WITH WASHER BOULON, AVEC RONDELLE	4	4	4	
30	6BG-44341-00	HOUSING, WATER PUMP CORPS, POMPE A EAU	1	1	1	
31	93101-22M60	OIL SEAL JOINT SPY	2	2	2	
32	93210-48001	O-RING JOINT TORIQUE	1	1	1	
33	66T-45344-01	COVER, OIL SEAL FLASQUE, JOINT D'HUILE	1	1	1	
34	90201-27M00	WASHER, PLATE RONDELLE, PLATE	1	1	1	
35	67C-45501-00	DRIVE SHAFT COMP. ARBRE MOTEUR COMP.	1		1	S(16.3") S(16.3")
	67C-45501-10	DRIVE SHAFT COMP. ARBRE MOTEUR COMP.	1	1	1	L(21.1") L(21.1")
36	66T-45551-00	PINION (13T) PIGNON D'ATTAQUE (13D)	1	1	1	
37	90170-12138	NUT ECROU	1	1	1	
38	66T-45560-01	GEAR 1 (26T) PIGNON 1 (26T)	1	1	1	
39	93332-00003	BEARING ROULEMENT	1	1	1	
40	663-45567-01	SHIM (T:0.10MM) CALE (T:0.10MM)	1	1	1	UR
	663-45567-10	SHIM (T:0.12MM) CALE (T:0.12MM)	1	1	1	UR
	663-45567-20	SHIM (T:0.15MM) CALE (T:0.15MM)	1	1	1	UR
	663-45567-30	SHIM (T:0.18MM) CALE (T:0.18MM)	1	1	1	UR
	663-45567-40	SHIM (T:0.30MM) CALE (T:0.30MM)	1	1	1	UR
	663-45567-50	SHIM (T:0.40MM) CALE (T:0.40MM)	1	1	1	UR
	663-45567-60	SHIM (T:0.50MM) CALE (T:0.50MM)	1	1	1	UR

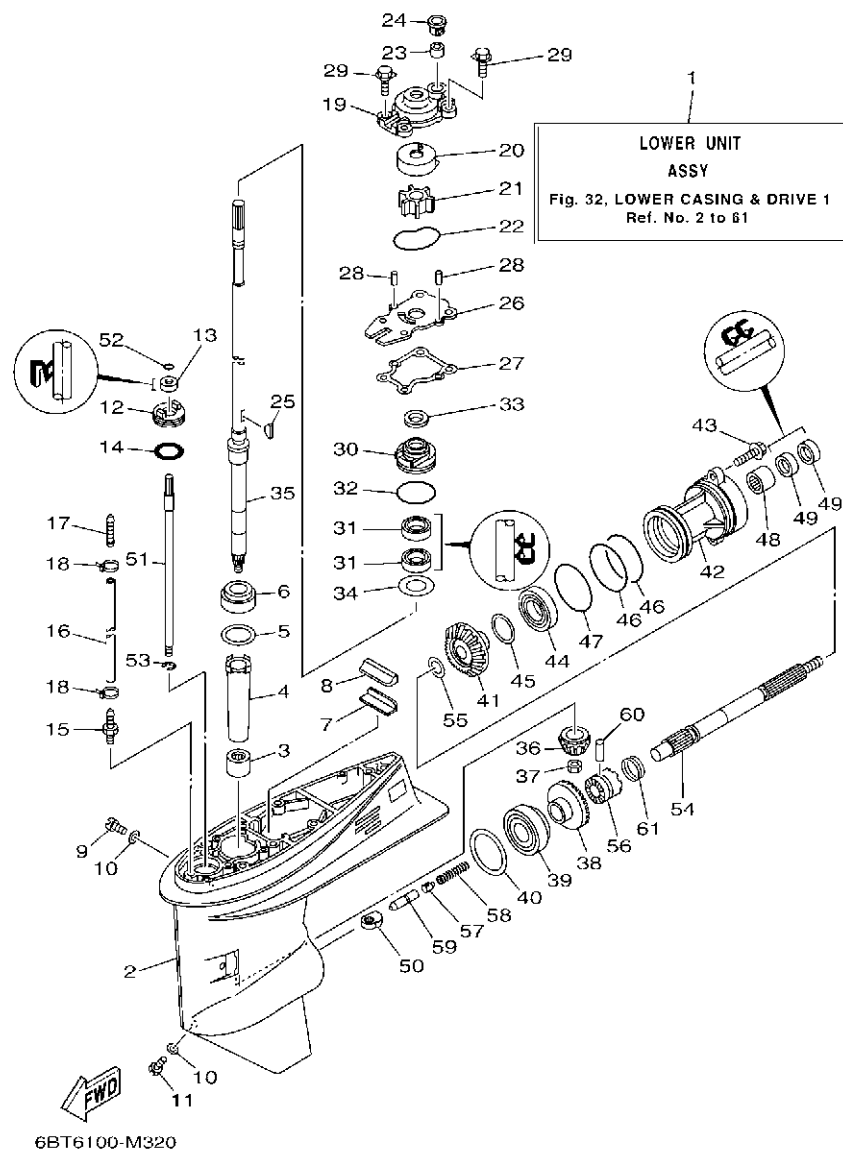


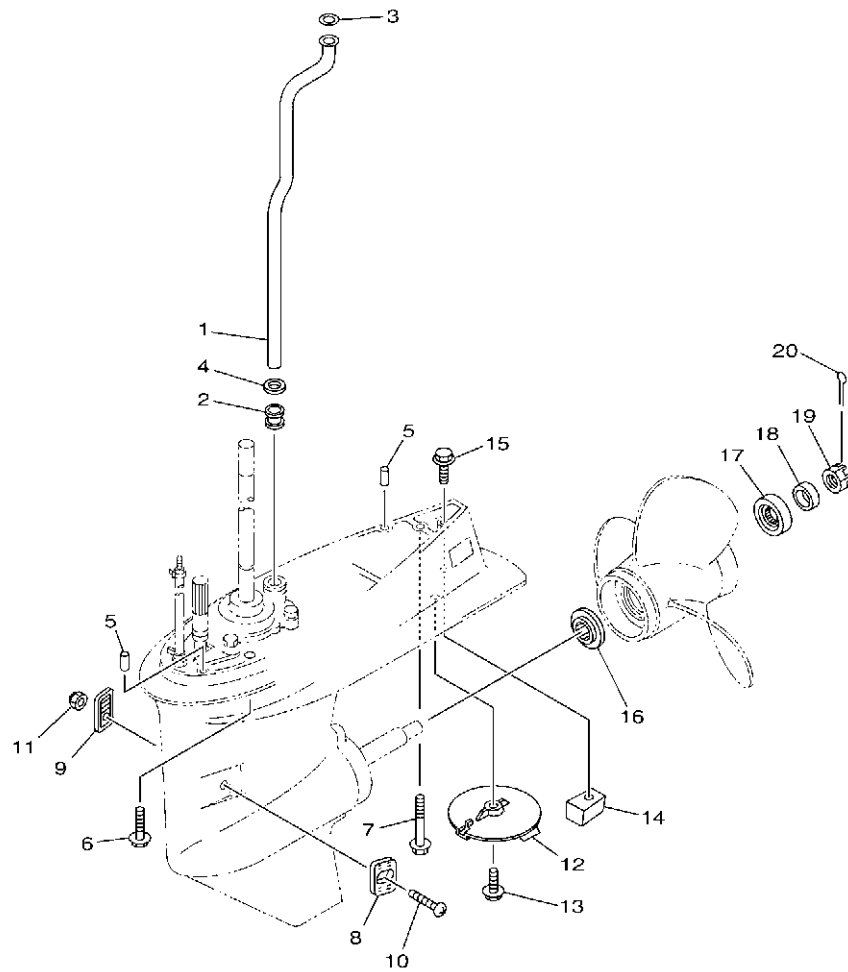
FIG. 32 LOWER CASING & DRIVE 1

BOITIER D'HELICE TRANSMISSION1

REF. NO.	PART NO. N° PIECES	DESCRIPTION DESCRIPTION	ET	ED	EHD	REMARKS REMARQUES
41	66T-45571-00	GEAR 2 (26T) PIGNON 2 (26T)	1	1	1	
42	63D-45361-02-8D	CAP. LOWER CASING COUVERCLE, BOITIER D'HELICE	1	1	1	
43	90105-08M61	BOLT, FLANGE BOULON, A COLLERETTE	2	2	2	
44	93306-001U1	BEARING ROULEMENT	1	1	1	
45	63D-45577-00	SHIM (T:0.10MM) CALE (T:0.10MM)	1	1	1	UR UR
	63D-45577-10	SHIM (T:0.12MM) CALE (T:0.12MM)	1	1	1	UR UR
	63D-45577-20	SHIM (T:0.15MM) CALE (T:0.15MM)	1	1	1	UR UR
	63D-45577-30	SHIM (T:0.18MM) CALE (T:0.18MM)	1	1	1	UR UR
	63D-45577-40	SHIM (T:0.30MM) CALE (T:0.30MM)	1	1	1	UR UR
	63D-45577-50	SHIM (T:0.40MM) CALE (T:0.40MM)	1	1	1	UR UR
	63D-45577-60	SHIM (T:0.50MM) CALE (T:0.50MM)	1	1	1	UR UR
46	93210-74MG5	O-RING JOINT TORIQUE	2	2	2	
47	93210-69MG6	O-RING JOINT TORIQUE	1	1	1	
48	93317-22204	BEARING ROULEMENT	1	1	1	
49	93101-22M00	OIL SEAL JOINT SPY	2	2	2	
50	62Y-44151-00	CAM, SHIFT CAME, INVERSION	1	1	1	
51	63D-44144-00	ROD, SHIFT 2 TIGE D'EMBAYAGE 2	1	1	1	
52	93210-07003	O-RING JOINT TORIQUE	1	1	1	
53	99001-08600	CIRCLIP CIRCLIP	1	1	1	
54	63D-45611-00	SHAFT, PROPELLER ARBRE, HELICE	1	1	1	
55	90201-22429	WASHER, PLATE RONDELLE, PLATE	1	1	1	
56	63D-45631-01	CLUTCH, DOG CRABOT	1	1	1	
57	663-45634-00	SLIDE, SHIFT CONTRE-POUSSOIR	1	1	1	
58	90501-18001	SPRING, COMPRESSION RESSORT, COMPRESSION	1	1	1	
59	63D-45635-00	PLUNGER, SHIFT POUSSOIR D'EMBAYAGE	1	1	1	
60	90250-06023	PIN, STRAIGHT GOUILLE, DROITE	1	1	1	
61	67C-45633-00	RING, CROSS PIN JONC, GOUILLE CRABOT	1	1	1	

FIG. 33 LOWER CASING & DRIVE 2

BOITIER D'HELICE TRANSMISSION2



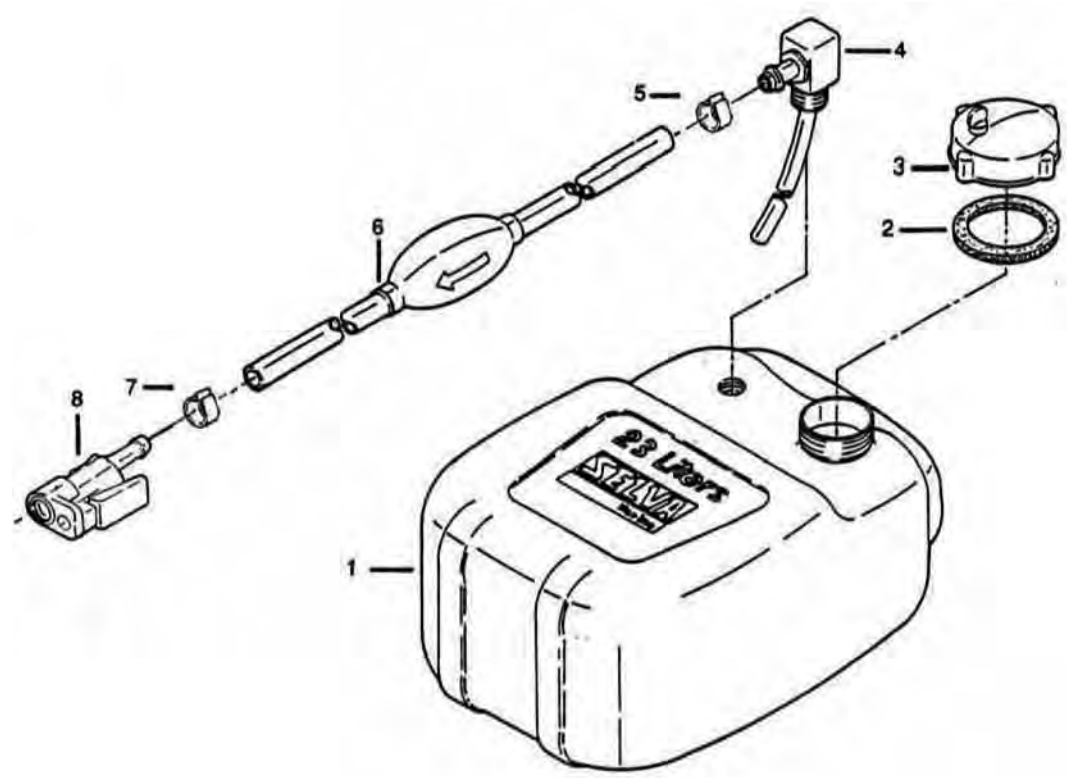

6BTB100-S330

REF. NO.	PART NO. N° PIECES	DESCRIPTION DESCRIPTION	ET	ED	EHD	REMARKS REMARQUES
1	67C-44361-00	TUBE, WATER 1 TUBE D'EAU 1	1		1	S(16.3") S(16.3")
	62Y-44361-00	TUBE, WATER 1 TUBE D'EAU 1	1	1	1	L(21.1") L(21.1")
2	663-44367-00	DAMPER, WATER SEAL 3 JOINT TUBE D'EAU 3	1	1	1	
3	90202-12060	WASHER, PLATE RONDELLE, PLATE	1	1	1	
4	90430-12072	GASKET JOINT	1	1	1	
5	93606-12019	PIN, DOWEL GOUPILLE	2	2	2	
6	90119-10068	BOLT, WITH WASHER BOULON, AVEC RONDELLE	4	4	4	
7	97E75-08565	BOLT, HEXAGON W/W DEEP RECESS VIS HEXAGONAL AVC RONDELLE	1	1	1	
8	63D-45214-00	COVER, WATER INLET 1 GRILLE, ENTREE D'EAU 1	1	1	1	
9	63D-45215-00	COVER, WATER INLET 2 GRILLE, ENTREE D'EAU 2	1	1	1	
10	90152-05010	SCREW, COUNTERSUNK VIS, TETE NOYEE	1	1	1	
11	95380-05600	NUT ECROU	1	1	1	
12	67C-45371-00	TAB-TRIM ANODE DERIVE	1	1	1	
13	97E95-08525	BOLT, HEXAGON W/W DEEP RECESS VIS HEXAGONAL AVC RONDELLE	1	1	1	
14	67C-45251-00	ANODE ANODE	1	1	1	
15	97E95-08535	BOLT, HEXAGON W/W DEEP RECESS VIS HEXAGONAL AVC RONDELLE	1	1	1	
16	663-45987-02	SPACER 1 ENTRETOISE 1	1	1	1	
17	66T-45997-00	SPACER 2 ENTRETOISE 2	1	1	1	
18	90389-22M01	BUSH DOUILLE	1	1	1	
19	90171-16011	NUT, CASTLE ECROU, CRENELE	1	1	1	
20	91490-30025	PIN, COTTER GOUPILLE	1	1	1	

FIG. 34 FUEL TANK 23 L

RESEVOIR A ESSENCE 23 L

REF. NO.	PART NO. NO. PIECES	DESCRIPTION DESCRIPTION					REMARKS REMARQUES
1	8085080	COMPLETE FUEL TANK 23 L RESEVOIR A ESSENCE (ENS.) 23 L				1	
2	3540275	GASKET JOINT				1	
3	1598845	FUEL TANK PLUG (POS. NO 2+3) BOUCHON (ENS.) (POS. 2+3)				1	
4	8055085	COMPLETE FUEL SUCTION DURITE DE SUCCION				1	
5	7080500	CLAMP COLLIER				1	
6	8050270	FUEL HOSE DURITE A ESSENCE				1	
7	7080490	CLAMP COLLIER				1	
8	6G1-24305-01	FUEL CONNECTOR - FEMALE DURITE RACCORDMENT A ESSENCE				1	
	1575270	FUEL TANK WITH PIPE RESEVOIR A ESSENCE + DURITE				1	
	1581280	COMPLETE PIPE (POS.NO. 5+6+7) DURITE A ESSENCE (ENS) (POS. 5+6+7)				1	



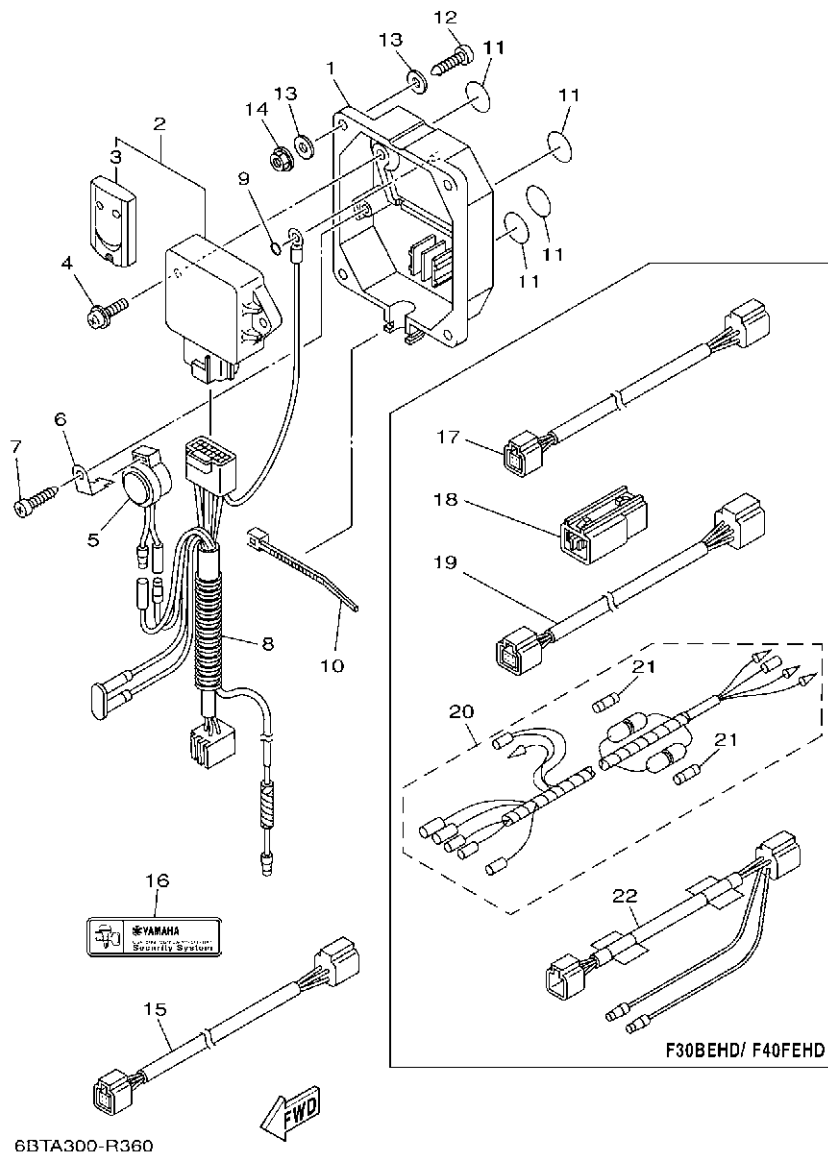
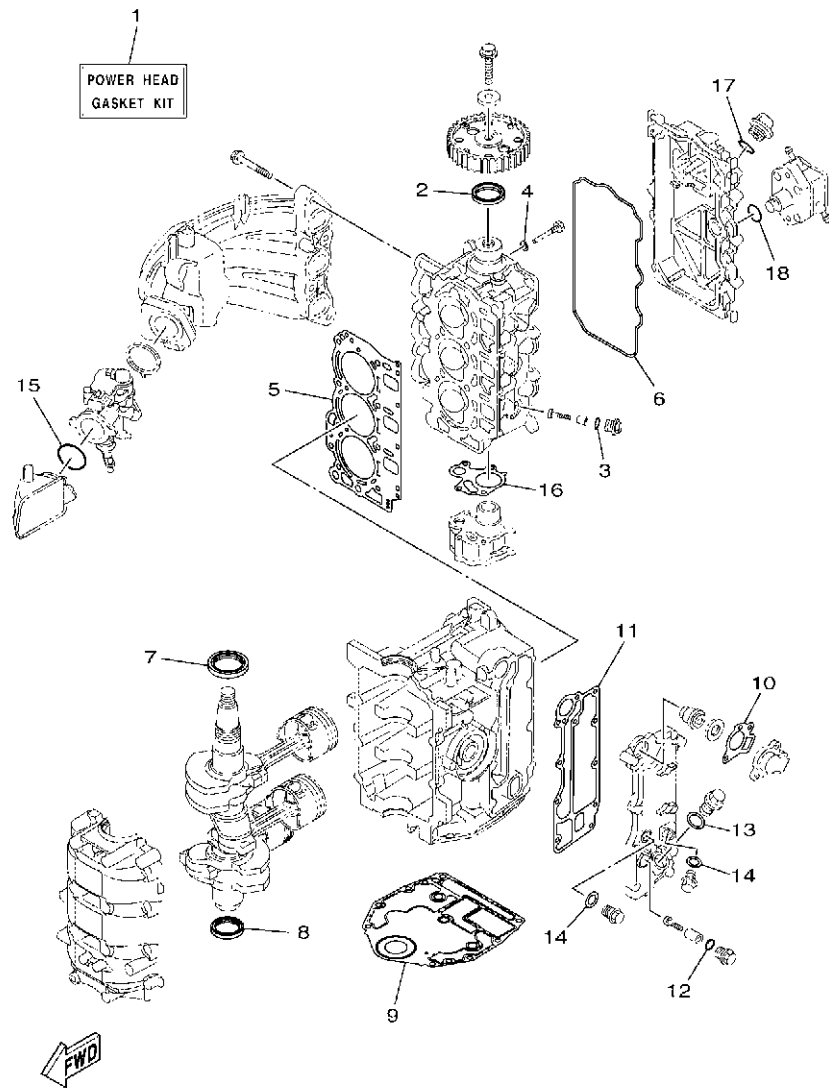


FIG. 36 OPTIONAL PARTS

PIECES OPTIONNELLES

REF. NO.	PART NO. N° PIECES	DESCRIPTION DESCRIPTION	EL	ED	EHD	REMARKS REMARQUES
1	6Y8-86267-00	CASE COMPLETE 1 CARTER (ENS.) 1	1	1	1	
2	6Y8-86260-03	REMOTE CONTROL UNIT ASSY UNITE DE TELECOMMANDE (ENS.)	1	1	1	
3	6AA-86261-01	.XMTR. COMP. .XMTR. COMP.	2	2	2	
4	97980-06216	SCREW, WITH WASHER VIS, AVEC RONDELLE	2	2	2	
5	6X4-83383-00	BUZZER RONFLEUR	1	1	1	
6	6X4-83386-00	STAY, BUZZER SUPPOR, RONFLEUR	1	1	1	
7	97780-60620	SCREW, TAPPING VIS, TETE BOMBEE	1	1	1	
8	6Y8-82509-10	WIRE, SUB LEAD FIL, SECONDAIRE	1	1	1	
9	93210-04279	O-RING JOINT TORIQUE	1	1	1	
10	90465-11M10	CLAMP BRIDE	1	1	1	
11	6Y8-8454G-00	PATCH 1 TAMPON 1	4	4	4	
12	90167-06M00	SCREW, TAPPING VIS, TETE FRAISEE	4	4	4	UR
	97880-06035	SCREW, PAN HEAD VIS, TETE TRONCONIQUE	4	4	4	UR
						UR
13	90201-06M30	WASHER, PLATE RONDELLE, PLATE	8	8	8	
14	95780-06300	NUT, FLANGE ECROU	4	4	4	
15	6Y8-82521-11	2FT PIGTAIL BUS FAISCEAU (L: 2FT.)	1	1	1	
16	6Y8-48277-00	STICKER 1 ETIQUETTE 1	4	4	4	
17	6Y8-82521-51	12FT PIGTAIL BUS FAISCEAU (L: 12FT.)			1	
18	6Y8-81920-11	IN-LINE HUB ASSY BORNE			2	
19	6Y8-82553-01	1FT MAIN BUS EXTENSION, FAISCEAU			1	
20	6Y5-83553-M0	WIRE, LEAD (L=2.5M) FIL (L=2.5M)			1	
21	1E6-82151-00	.FUSE (10A) .FUSIBLE (10A)			2	
22	6Y8-82117-00	WIRE, LEAD FIL			1	



6BG7100-N370

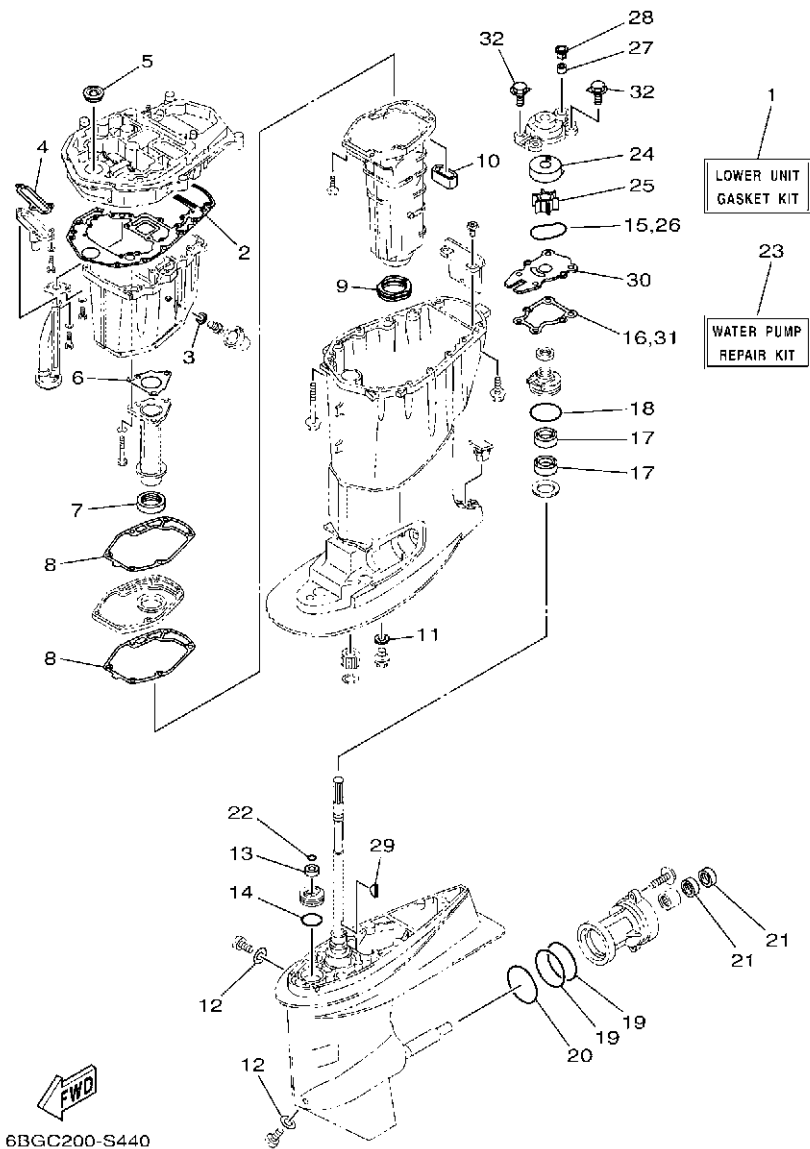
FIG. 37 REPAIR KIT 1

KITS DE REPARATION 1

REF. NO.	PART NO. N° PIECES	DESCRIPTION DESCRIPTION	ET	ED	EHD	REMARKS REMARQUES
1	6BG-W0001-01	POWER HEAD GASKET KIT POCHETTE DE JINTS TETE MOTRICE	1	1	1	
2	93102-37M40	.OIL SEAL .JOINT SPY	1	1	1	
3	93210-13M63	.O-RING .JOINT TORIQUE	3	3	3	
4	90430-06014	.GASKET .JOINT	1	1	1	
5	6BG-11181-00	.GASKET, CYLINDER HEAD 1 .JOINT, DE CULASSE 1	1	1	1	
6	6BG-11356-00	.SEAL, CYLINDER 2 .JOINT, SPY CYLINDRE	1	1	1	
7	93102-43M42	.OIL SEAL .JOINT SPY	1	1	1	
8	93101-35002	.OIL SEAL .JOINT SPY	1	1	1	
9	6BG-11351-00	.GASKET, CYLINDER .JOINT, D'EMBASE	1	1	1	
10	62Y-12414-00	.GASKET, COVER .JOINT, COUVERCLE	1	1	1	
11	6BG-41114-00	.GASKET, EXHAUST OUTER COVER .JOINT, COUVERCLE D'ECHAPPEMENT	1	1	1	
12	93210-13M63	.O-RING .JOINT TORIQUE	1	1	1	
13	90201-186F1	.WASHER, PLATE .RONDELLE, PLATE	1	1	1	
14	90430-14115	.GASKET .JOINT	2	2	2	
15	93210-42159	.O-RING .JOINT TORIQUE	1	1	1	
16	6C5-13329-00	.GASKET, PUMP COVER .JOINT, COUVERCLE DE POMPE	1	1	1	
17	93210-24M79	.O-RING .JOINT TORIQUE	1	1	1	
18	93210-24M79	.O-RING .JOINT TORIQUE	1	1	1	

FIG. 38 REPAIR KIT 2

KITS DE REPARATION 2



6BGC200-S440

REF. NO.	PART NO. N° PIECES	DESCRIPTION DESCRIPTION	Et	Ed	Ehd	REMARKS REMARQUES
1	6BG-W0001-21	LOWER UNIT GASKET KIT POCHETTE DE JOINTS EMBASE	1	1	1	
2	69W-15312-00	.GASKET, OIL PAN .JOINT DE VENTILATEUR D'HUILE	1	1	1	
3	90430-14M09	.GASKET .JOINT	1	1	1	
4	62Y-13475-00	.GASKET .JOINT	1	1	1	
5	93103-16011	.OIL SEAL .JOINT SPY	1	1	1	
6	64J-41133-10	.GASKET, EXHAUST MANIFOLD 1 .JOINT, PIPE D'ECHAPPEMENT	1	1	1	
7	64J-46132-10	.GASKET 1 .JOINT 1	1	1	1	
8	6BG-41134-00	.GASKET, EXHAUST MANIFOLD .JOINT, PIPE D'ECHAPPEMENT	2	2	2	
9	67C-45123-00	.GASKET, MUFFLER .JOINT, POT DE DETENTE	1	1	1	
10	62Y-45127-00	.SEAL .JOINT	1	1	1	
11	90430-14M09	.GASKET .JOINT	1	1	1	
12	90430-08003	.GASKET .JOINT	2	2	2	
13	93106-09014	.OIL SEAL .JOINT SPY	1	1	1	
14	93210-33MG4	.O-RING .JOINT TORIQUE	1	1	1	
15	93210-59MG7	.O-RING .JOINT TORIQUE	1	1	1	
16	63D-44316-00	.GASKET, WATER PUMP .JOINT, POMPE A EAU	1	1	1	
17	93101-22M60	.OIL SEAL .JOINT SPY	2	2	2	
18	93210-48001	.O-RING .JOINT TORIQUE	1	1	1	
19	93210-74MG5	.O-RING .JOINT TORIQUE	2	2	2	
20	93210-69MG6	.O-RING .JOINT TORIQUE	1	1	1	
21	93101-22M00	.OIL SEAL .JOINT SPY	2	2	2	
22	93210-07003	.O-RING .JOINT TORIQUE	1	1	1	
23	6BG-W0078-00	WATER PUMP REPAIR KIT KIT DE REPARATION DE LA POMPE	1	1	1	
24	63D-44322-00	.INSERT, CARTRIDGE .CUVETTE	1	1	1	
25	6H4-44352-02	.IMPELLER .TURBINE	1	1	1	
26	93210-59MG7	.O-RING .JOINT TORIQUE	1	1	1	
27	663-44366-00	.DAMPER, WATER SEAL 2 .JOINT, TUBE D'EAU 2	1	1	1	

