

Dorado 40 EFI

Dorado 50 EFI

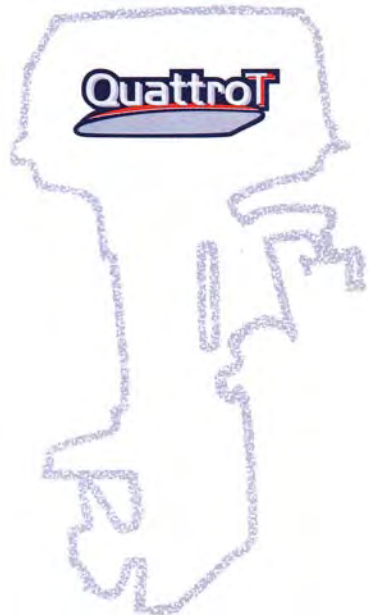
Dorado 60 EFI

Production year 2016

Production année 2016

**PARTS
CATALOGUE**

**CATALOGUE
DE PIÈCES DÉTACHÉES**



ENGINE STARTING SERIAL NUMBER: 40 EFI: 6AK-1014236
50 EFI: 6C1-1065567
60 EFI: 6C5-1072151



FOREWORD

This Parts Catalogue is related to the parts for the model(s) on the cover page. When you are ordering replacement parts, please refer to this Parts Catalogue and quote both part numbers and part names correctly.

1. Modifications or additions which have been made after the issue of the Parts Catalogue will be announced in the Parts News.
It is advisable that you make the necessary corrections to the Parts Catalogue according to the Parts News.

2. Abbreviations

The following abbreviations are used in this Parts Catalogue.

“UR” Use specified parts number.

“UN” Use as many as needed.

“AP” Alternate Parts

“LM” Locally Made (Parts need to be ordered locally)

“F#” Frame No. (Applicable machine No.)

“O/S” Over Size

3. The number of components for assembly

- Parts, which are to be supplied in an assembly, are listed with a dot (.) in front of the part name as shown below.
- The numeral appearing to the right of each component part indicates the quantity of parts for each assembly unit.

| PART NO. | DESCRIPTION | Q'TY | REMARKS |
|--------------|--------------------------|------|---------|
| 2F5-83310-60 | FRONT FLASHER LIGHT ASSY | 2 | |
| 115-83311-60 | .BULB (6V-18W) | 1 | |

4. Applicable colours of graphics are represented in the “REMARKS” as shown below.

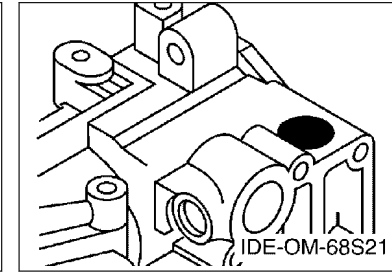
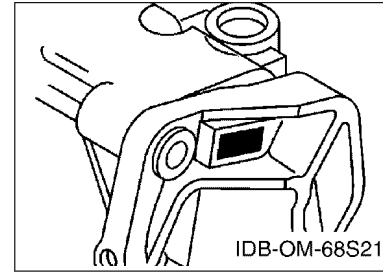
| PART NO. | DESCRIPTION | Q'TY | REMARKS |
|-----------------|---------------------|------|---------|
| 2N4-24110-00-X5 | FUEL TANK COMP. | 2 | MXR |
| 3J1-24240-10 | .GRAPHIC, FUEL TANK | 1 | FOR MXR |

5. Note that the illustrations for reference in finding parts numbers are not to be used for assembling. When assembling, please use the applicable service manual.

6. The asterisk (*) before a reference number indicates modified items after the first edition.

7. Applicable Serial No.

Engine Serial No.



8. Applicable Engine Starting Serial No.

| Model | Serial No. | Model | Serial No. |
|-------------|-------------|-----------|-------------|
| Dorado40 xs | 6AK-1014236 | Dorado 50 | 6C1-1065567 |
| Dorado 60 | 6C5-1072151 | | |
| | | | |
| | | | |

9. Applicable Colour Code

| Abbreviation | Colour Name | Colour Code |
|--------------|--------------------|-------------|
| DBN1 | DARK BLUISH GRAY 1 | 008D |

10. Quantity Column Information

| Column No. | Name Of Q'ty Column | Applicable Model |
|------------|---------------------|----------------------|
| 1 | ED | F50HED |
| 2 | ET | F40HET,F50HET,F60FET |
| | | |
| | | |

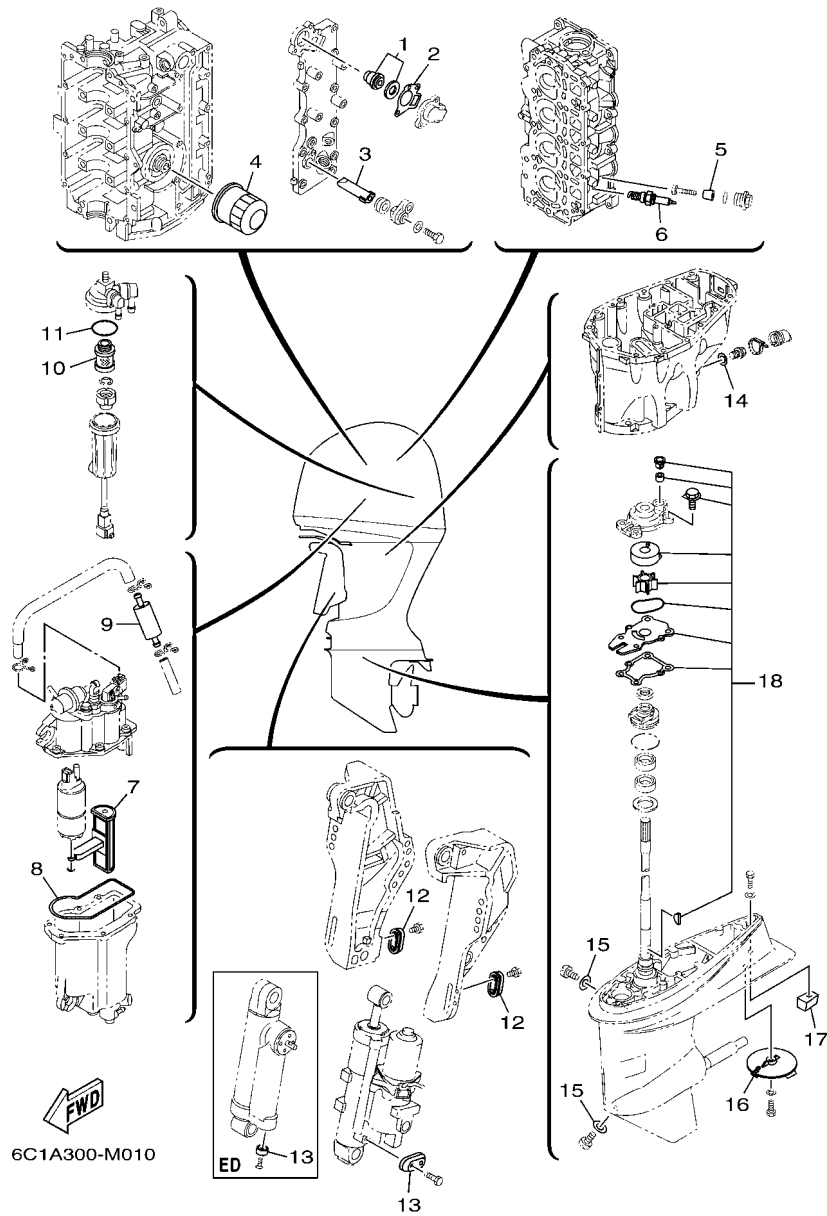


FIG. 1 SCHEDULED SERVICE PARTS

PIECES MAINTENANCE PERIODIQUE

| REF. NO. | PART NO. N° PIECES | DESCRIPTION DESCRIPTION | QTY | UNIT | REMARKS REMARQUES |
|----------|--------------------|---|-----|------|-------------------|
| 1 | 6G8-12411-03 | THERMOSTAT THERMOSTAT | 1 | 1 | |
| 2 | 62Y-12414-00 | GASKET, COVER JOINT, COUVERCLE | 1 | 1 | |
| 3 | 62Y-11325-00 | ANODE ANODE | 1 | 1 | |
| 4 | 5GH-13440-50 | ELEMENT ASSY, OIL CLEANER ELEMENT, FILTRE A HUILE | 1 | 1 | |
| 5 | 6G8-11325-00 | ANODE ANODE | 4 | 4 | |
| 6 | 94702-00418 | PLUG, SPARK (NGK DPR6EB-9) BOUGIE D, ALLUMAGE (NGK DPR6EB-9) | 4 | 4 | |
| 7 | 6C5-13915-00 | FILTER FILTRE | 1 | 1 | |
| 8 | 6C5-14984-00 | GASKET, FLOAT CHAMBER JOINT, CUVE DE FLOTTEUR | 1 | 1 | |
| 9 | 6C5-24251-00 | STRAINER 1 FILTRE 1 | 1 | 1 | |
| 10 | 6D8-24563-00 | ELEMENT, FILTER ELEMENT, FILTRE | 1 | 1 | |
| 11 | 6D8-24564-00 | GASKET JOINT | 1 | 1 | |
| 12 | 65W-45251-00 | ANODE ANODE | 2 | 2 | |
| 13 | 663-45251-00 | ANODE ANODE | 1 | | |
| | 65W-45251-00 | ANODE ANODE | | 1 | |
| 14 | 90430-14M09 | GASKET JOINT | 1 | 1 | |
| 15 | 90430-08003 | GASKET JOINT | 2 | 2 | |
| 16 | 67C-45371-00 | TAB-TRIM ANODE DERIVE | 1 | 1 | |
| 17 | 67C-45251-00 | ANODE ANODE | 1 | 1 | |
| 18 | 63D-W0078-01 | WATER PUMP REPAIR KIT KIT DE REPARATION DE LA POMPE | 1 | 1 | |

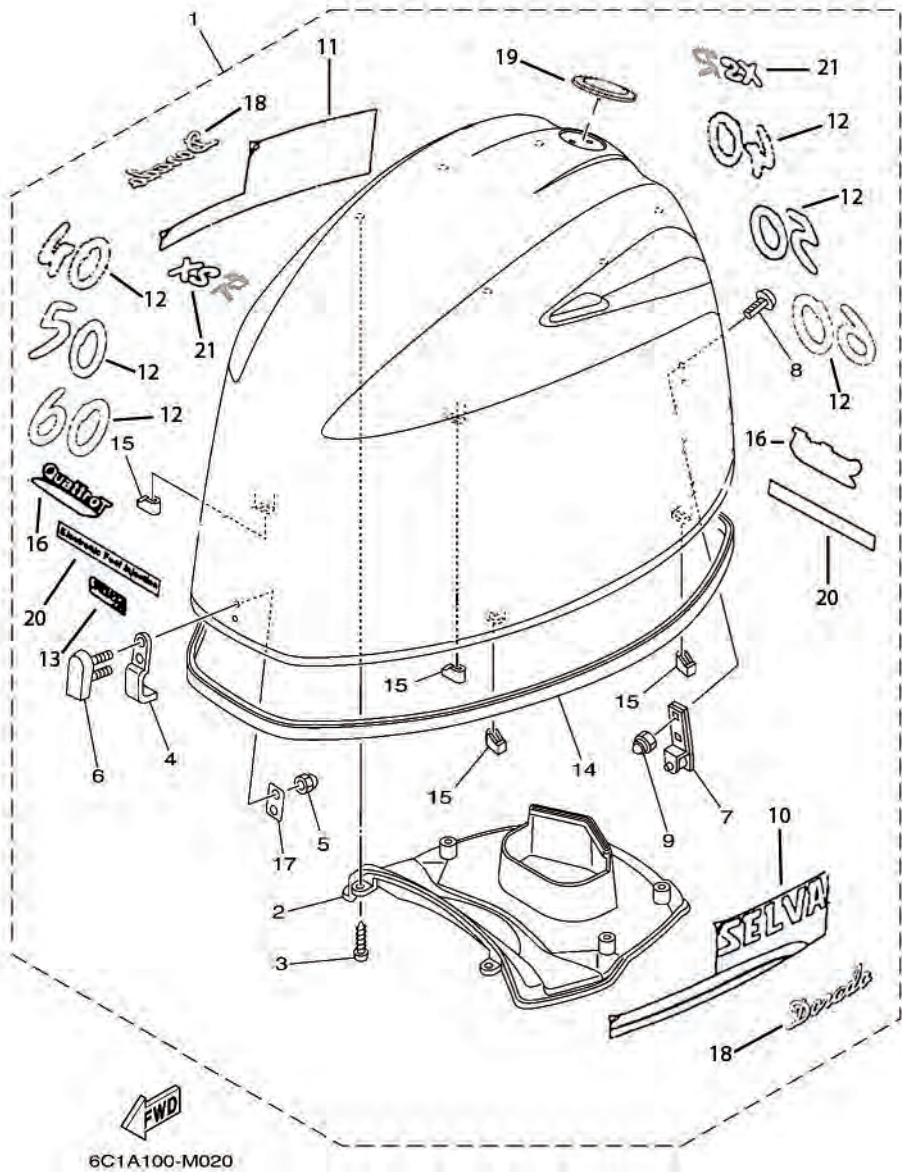


FIG. 2 TOP COWLING

CAPOT SUPERIEUR

| REF. NO. | PART NO. N° PIECES | DESCRIPTION DESCRIPTION | Q | U | | REMARKS REMARQUES |
|----------|--------------------|--|---|---|--|-------------------|
| 1 | 1504870 | TOP COWLING ASSY CAPOT (ENS.) | 1 | 1 | | Dorado 40 |
| | 1504864 | TOP COWLING ASSY CAPOT (ENS.) | | 1 | | Dorado 50 |
| | 1504878 | TOP COWLING ASSY CAPOT (ENS.) | | 1 | | Dorado 60 |
| 2 | 6CJ-42613-00 | .MOLDING, AIR DUCT .MANCHON A AIR | 1 | 1 | | |
| 3 | 90167-05017 | .SCREW, TAPPING .VIS, TETE FRAISEE | 6 | 6 | | |
| 4 | 6BG-42651-00 | .HOOK .CROCHET | 1 | 1 | | |
| 5 | 95380-05800 | .NUT .ECROU | 2 | 2 | | |
| 6 | 6BG-42851-00 | .COVER, CLAMP .COUVERCLE, BRIDE | 1 | 1 | | |
| 7 | 6BG-42652-00 | .HOOK .CROCHET | 1 | 1 | | |
| 8 | 90109-06047 | .BOLT .BOULON | 2 | 2 | | |
| 9 | 90185-06M05 | .NUT, SELF-LOCKING .ECROU,AUTO-BLOQUANT | 2 | 2 | | |
| 10 | 8093175 | .GRAPHIC, LEFT .ADHESIF, GAUCHE | 1 | 1 | | |
| 11 | 8093180 | .GRAPHIC, RIGHT .ADHESIF, DROITE | | 1 | | |
| 12 | 8093160 | .GRAPHIC, 40 .ADHESIF, 40 | | 2 | | |
| | 8093135 | .GRAPHIC, 50 .ADHESIF, 50 | 1 | 2 | | |
| | 8093190 | .GRAPHIC, 60 .ADHESIF, 60 | | 2 | | |
| 13 | 8092605 | .GRAPHIC, SELVA MARINE .ADHESIF, SELVA MARINE | | 2 | | |
| 14 | 6CJ-42615-00 | .SEAL .JOINT | 1 | 1 | | |
| 15 | 6BG-42662-00 | .DAMPER .AMORTISSEUR | 4 | 4 | | |
| 16 | 8093050 | .GRAPHIC, QUATTRO T .ADHESIF, QUATTRO T | 1 | 2 | | |
| 17 | 6BG-42649-00 | .HOLDER, CLAMP BAND .SUPPORT, SANDOW DE SERRAGE | 1 | 1 | | |
| 18 | 8092835 | .GRAPHIC, DORADO .ADHESIF, DORADO | 1 | 2 | | |
| 19 | 8093035 | .GRAPHIC, SELVA MARINE EUROPE .ADHESIF, SELVA MARINE EUROPE | 1 | 1 | | |
| 20 | 8093165 | .GRAPHIC, ELECTRONIC FUEL INJECTION .ADHESIF, ELECTRONIC FUEL INJECTION | | 1 | | |
| 21 | 8093170 | .GRAPHIC, XS .ADHESIF, XS | | 2 | | |
| | 8093330 | .GRAPHIC, XSR .ADHESIF, XSR | 1 | 2 | | |
| | 1534505 | .GRAPHIC, SET .JEU DIEMBLEMES | 1 | 1 | | Dorado 40xs |

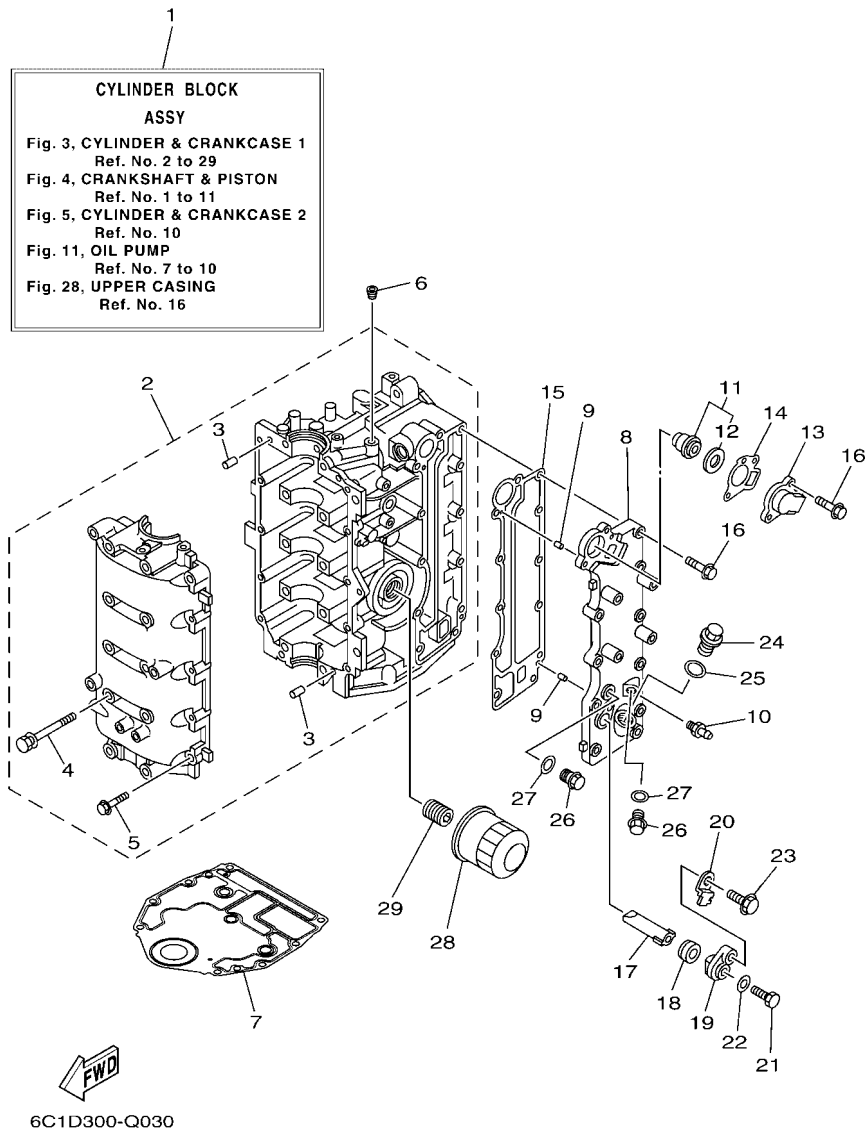
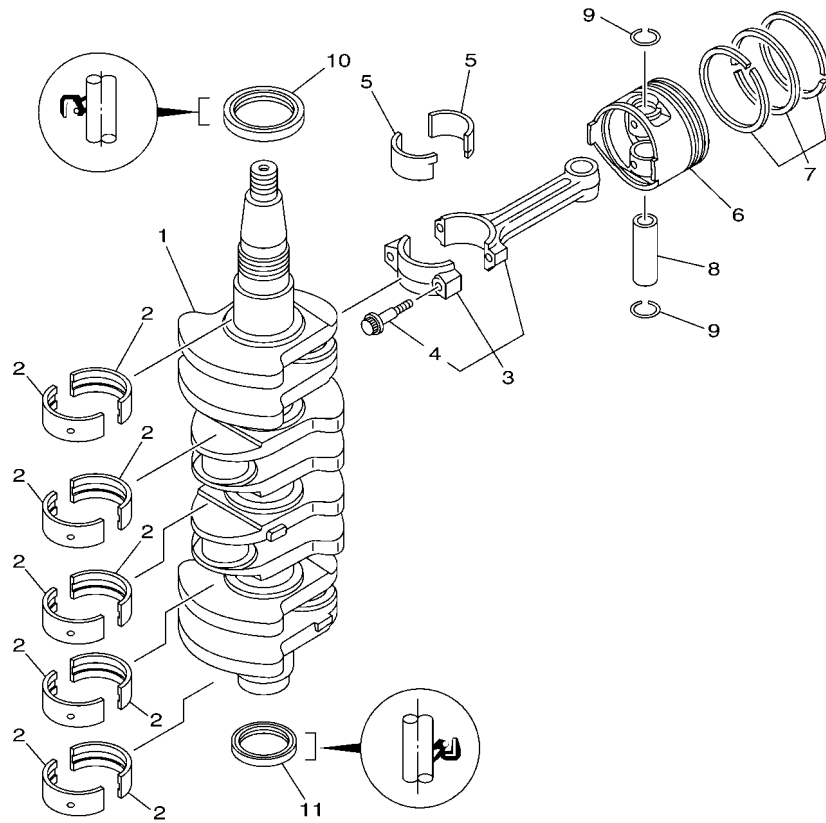


FIG. 3 CYLINDER & CRANKCASE 1

CYLINDRE & CARTER 1

| REF. NO. | PART NO. N° PIECES | DESCRIPTION DESCRIPTION | QTY | QTY | | | REMARKS REMARQUES |
|----------|--------------------|---|-----|-----|--|--|-------------------|
| 1 | 6C5-W009B-05-9S | CYLINDER BLOCK ASSY CYLINDRE GROUPE (ENS.) | 1 | 1 | | | |
| 2 | 6C5-15100-12 | CRANKCASE ASSY CARTER DE MOTEUR COMPLET | 1 | 1 | | | |
| 3 | 93606-12019 | .PIN, DOWEL .GOUPILLE | 4 | 4 | | | |
| 4 | 90119-08154 | .BOLT, WITH WASHER .BOULON, AVEC RONDELLE | 10 | 10 | | | |
| 5 | 97513-06535 | .BOLT, WITH WASHER .VIS HEXAGONAL AVC RONDELLE | 10 | 10 | | | |
| 6 | 90344-51003 | PLUG, TAPER SCREW PLOT, FILETE CONIQUE | 1 | 1 | | | |
| 7 | 6BG-11351-00 | GASKET, CYLINDER JOINT, D'EMBASE | 1 | 1 | | | |
| 8 | 6C5-41113-11-9S | OUTER COVER, EXHAUST COUVERCLE, ECHAPPEMENT | 1 | 1 | | | |
| 9 | 93604-10M03 | PIN, DOWEL CLAVETTE | 2 | 2 | | | |
| 10 | 62Y-12481-10 | PIPE 1 DURITE 1 | 1 | 1 | | | |
| 11 | 6G8-12411-03 | THERMOSTAT THERMOSTAT | 1 | 1 | | | |
| 12 | 688-12412-00 | .SEAL, THERMOSTAT .JOINT, THERMOSTAT | 1 | 1 | | | |
| 13 | 6C5-12413-00-9S | COVER, THERMOSTAT COUVERCLE, THERMOSTAT | 1 | 1 | | | |
| 14 | 62Y-12414-00 | GASKET, COVER JOINT, COUVERCLE | 1 | 1 | | | |
| 15 | 6C5-41114-10 | GASKET, EXHAUST OUTER COVER JOINT, COUVERCLE D'ECHAPPEMENT | 1 | 1 | | | |
| 16 | 90119-06MA5 | BOLT, WITH WASHER BOULON, AVEC RONDELLE | 12 | 12 | | | |
| 17 | 62Y-11325-00 | ANODE ANODE | 1 | 1 | | | |
| 18 | 66M-11328-00 | GROMMET, ANODE PASSE-FIL | 1 | 1 | | | |
| 19 | 66M-11327-00-94 | COVER, ANODE COUVERCLE ANODE | 1 | 1 | | | |
| 20 | 66M-12535-00 | PLATE PLAQUE | 1 | 1 | | | |
| 21 | 97095-05012 | BOLT BOULON | 1 | 1 | | | |
| 22 | 92995-05600 | WASHER RONDELLE | 1 | 1 | | | |
| 23 | 97595-06520 | BOLT, WITH WASHER VIS HEXAGONAL AVC RONDELLE | 1 | 1 | | | |
| 24 | 90340-18M09 | PLUG, STRAIGHT SCREW PLOT, FILETE DROIT | 1 | 1 | | | |
| 25 | 90201-186F1 | WASHER, PLATE RONDELLE, PLATE | 1 | 1 | | | |
| 26 | 90340-14M06 | PLUG, STRAIGHT SCREW PLOT, FILETE DROIT | 2 | 2 | | | |
| 27 | 90430-14115 | GASKET JOINT | 2 | 2 | | | |



6C17110-K030

FIG. 4 CRANKSHAFT & PISTON

VILEBREQUIN & PISTON

| REF. NO. | PART NO. N° PIECES | DESCRIPTION DESCRIPTION | Q | Q | | REMARKS REMARQUES |
|----------|--------------------|--|----|----|--|------------------------|
| 1 | 6C5-11411-10 | CRANKSHAFT VILEBREQUIN COMPLET | 1 | 1 | | |
| 2 | 6BG-11416-00 | PLANE BEARING, CRANKSHAFT 1 COUSSINET DE VILEBREQUIN 1 | 10 | 10 | | UR YELLOW UR YELLOW |
| | 6BG-11416-10 | PLANE BEARING, CRANKSHAFT 1 COUSSINET DE VILEBREQUIN 1 | 10 | 10 | | UR RED UR RED |
| | 6BG-11416-20 | PLANE BEARING, CRANKSHAFT 1 COUSSINET DE VILEBREQUIN 1 | 10 | 10 | | UR PINK UR PINK |
| | 6BG-11416-30 | PLANE BEARING, CRANKSHAFT 1 COUSSINET DE VILEBREQUIN 1 | 10 | 10 | | UR GREEN UR GREEN |
| 3 | 6C5-11650-10 | CONNECTING ROD ASSY BIELLE COMPLETE | 4 | 4 | | |
| 4 | 6C5-11654-00 | .BOLT, CONNECTING ROD .BOULON, BIELLE | 2 | 2 | | |
| 5 | 6CJ-11656-00 | PLANE BEARING, CONNECTING ROD ROULEMENT DE BIELLE | 8 | 8 | | UR YELLOW UR YELLOW |
| | 6CJ-11656-10 | PLANE BEARING, CONNECTING ROD ROULEMENT DE BIELLE | 8 | 8 | | UR RED UR RED |
| | 6CJ-11656-20 | PLANE BEARING, CONNECTING ROD ROULEMENT DE BIELLE | 8 | 8 | | UR PINK UR PINK |
| | 6CJ-11656-30 | PLANE BEARING, CONNECTING ROD ROULEMENT DE BIELLE | 8 | 8 | | UR GREEN UR GREEN |
| 6 | 69W-11631-01-97 | PISTON (STD) PISTON (STD) | 4 | 4 | | |
| | 69W-11635-01 | PISTON (0.25MM O/S) PISTON (0.25MM O/S) | 4 | 4 | | AP AP |
| | 69W-11636-01 | PISTON (0.50MM O/S) PISTON (0.50MM O/S) | 4 | 4 | | AP AP |
| 7 | 67C-11603-00 | PISTON RING SET (STD) JEU DE SEGMENTS (STD) | 4 | 4 | | |
| | 67C-11604-00 | PISTON RING SET (0.25MM O/S) JEU DE SEGMENTS (0.25MM O/S) | 4 | 4 | | AP AP |
| | 67C-11605-00 | PISTON RING SET (0.50MM O/S) JEU DE SEGMENTS (0.50MM O/S) | 4 | 4 | | AP AP |
| 8 | 62Y-11633-00 | PIN, PISTON AXE, PISTON | 4 | 4 | | |
| 9 | 93450-17129 | CIRCLIP CIRCLIP, TYPE S | 8 | 8 | | |
| 10 | 93102-43M42 | OIL SEAL JOINT SPY | 1 | 1 | | |
| 11 | 93101-35002 | OIL SEAL JOINT SPY | 1 | 1 | | |

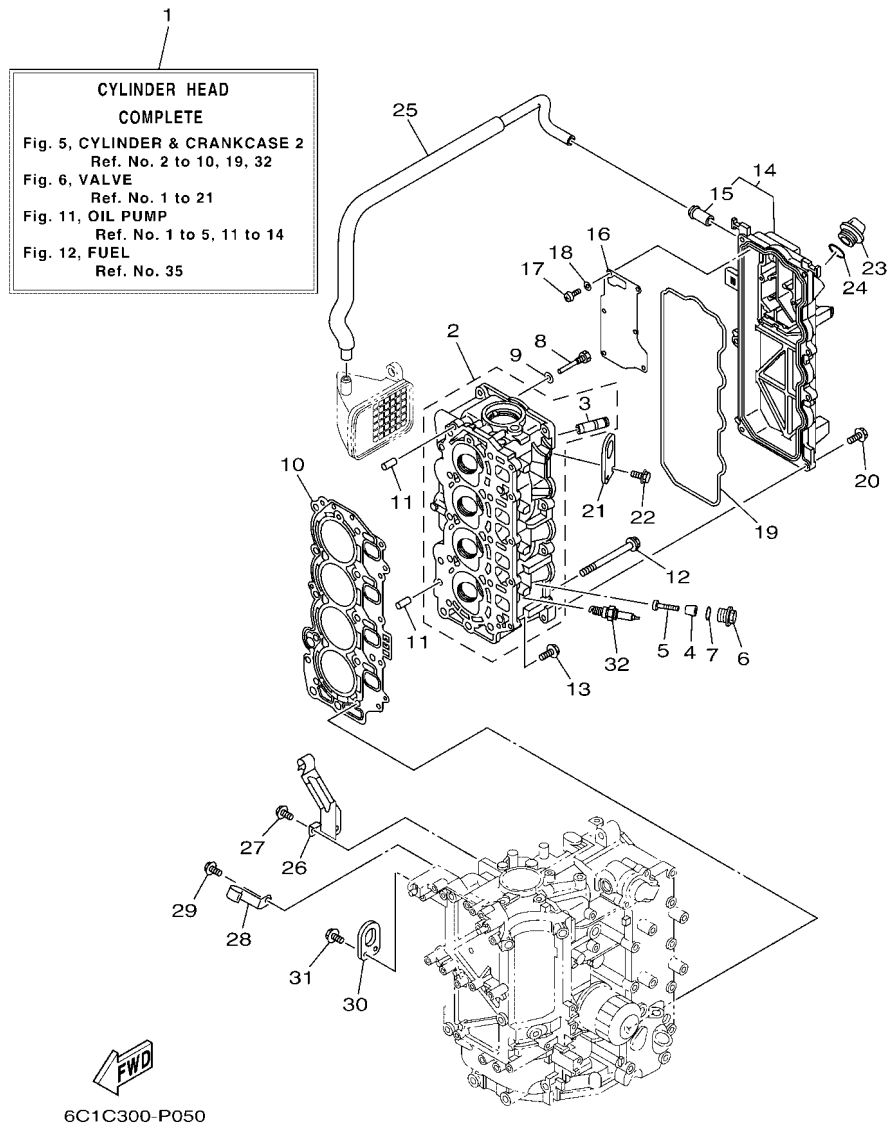


FIG. 5 CYLINDER & CRANKCASE 2

CYLINDRE & CARTER 2

| REF. NO. | PART NO. N° PIECES | DESCRIPTION DESCRIPTION | Q | U | REMARKS REMARQUES |
|----------|--------------------|---|----|----|-------------------|
| 1 | 6C5-W009A-13-9S | CYLINDER HEAD COMPLETE CULASSE (ENS.) | 1 | 1 | |
| 2 | 6C5-11111-20-9S | HEAD, CYLINDER 1 CULASSE | 1 | 1 | |
| 3 | 62Y-11133-30 | .GUIDE, VALVE 1 .GUIDE, SOUPAPE 1 | 8 | 8 | |
| 4 | 6G8-11325-00 | ANODE ANODE | 4 | 4 | |
| 5 | 98980-05025 | SCREW, BIND VIS, DE PRESSION | 4 | 4 | |
| 6 | 6G8-11197-A0 | PLUG, BLIND PLOT, BORGNE | 4 | 4 | |
| 7 | 93210-13M63 | O-RING JOINT TORIQUE | 4 | 4 | |
| 8 | 90109-06M65 | BOLT BOULON | 1 | 1 | |
| 9 | 90430-06014 | GASKET JOINT | 1 | 1 | |
| 10 | 6C5-11181-01 | GASKET, CYLINDER HEAD 1 JOINT, DE CULASSE 1 | 1 | 1 | |
| 11 | 99530-08012 | PIN, DOWEL GOIJON, D'ASSEMBLAGE | 2 | 2 | |
| 12 | 90105-09009 | BOLT, FLANGE BOULON | 10 | 10 | |
| 13 | 90119-06MA3 | BOLT, WITH WASHER BOULON, AVEC RONDELLE | 5 | 5 | |
| 14 | 6C5-11191-02-9S | COVER, CYLINDER HEAD 1 COUVERCLE, CULASSE 1 | 1 | 1 | |
| 15 | 62Y-14485-00 | .PIPE, JOINT .DURITE | 1 | 1 | |
| 16 | 6C5-11168-00 | COVER, BREATHER COUVERCLE, RENIFLARD | 1 | 1 | |
| 17 | 98507-04010 | SCREW, PAN HEAD VIS, TETE TRONCONIQUE | 6 | 6 | |
| 18 | 92907-04600 | WASHER RONDELLE | 6 | 6 | |
| 19 | 62Y-11356-00 | SEAL, CYLINDER 2 JOINT, SPY CYLINDRE | 1 | 1 | |
| 20 | 97595-06520 | BOLT, WITH WASHER VIS HEXAGONAL AVC RONDELLE | 7 | 7 | |
| 21 | 6CJ-11119-00 | HANGER, ENGINE ANNEAU, LEVAGE | 1 | 1 | |
| 22 | 97595-06520 | BOLT, WITH WASHER VIS HEXAGONAL AVC RONDELLE | 2 | 2 | |
| 23 | 6G8-15363-00 | PLUG, OIL PLOT, HUILE | 1 | 1 | |
| 24 | 93210-24M79 | O-RING JOINT TORIQUE | 1 | 1 | |
| 25 | 6C5-1531A-10 | HOSE, BREATHER 1 DURITE DE RENIFLARD 1 | 1 | 1 | |
| 26 | 6C5-15378-00 | HOLDER SUPPORT | 1 | 1 | |
| 27 | 97595-06514 | BOLT, WITH WASHER VIS HEXAGONAL AVC RONDELLE | 1 | 1 | |

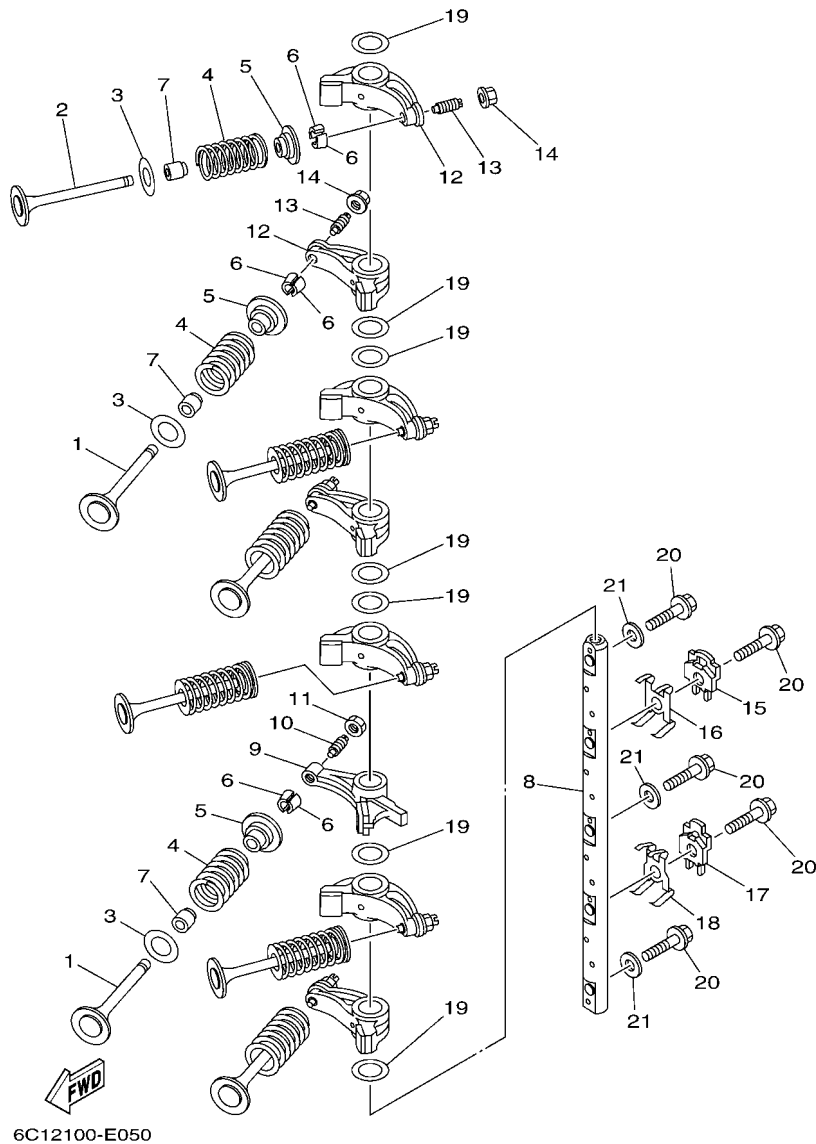


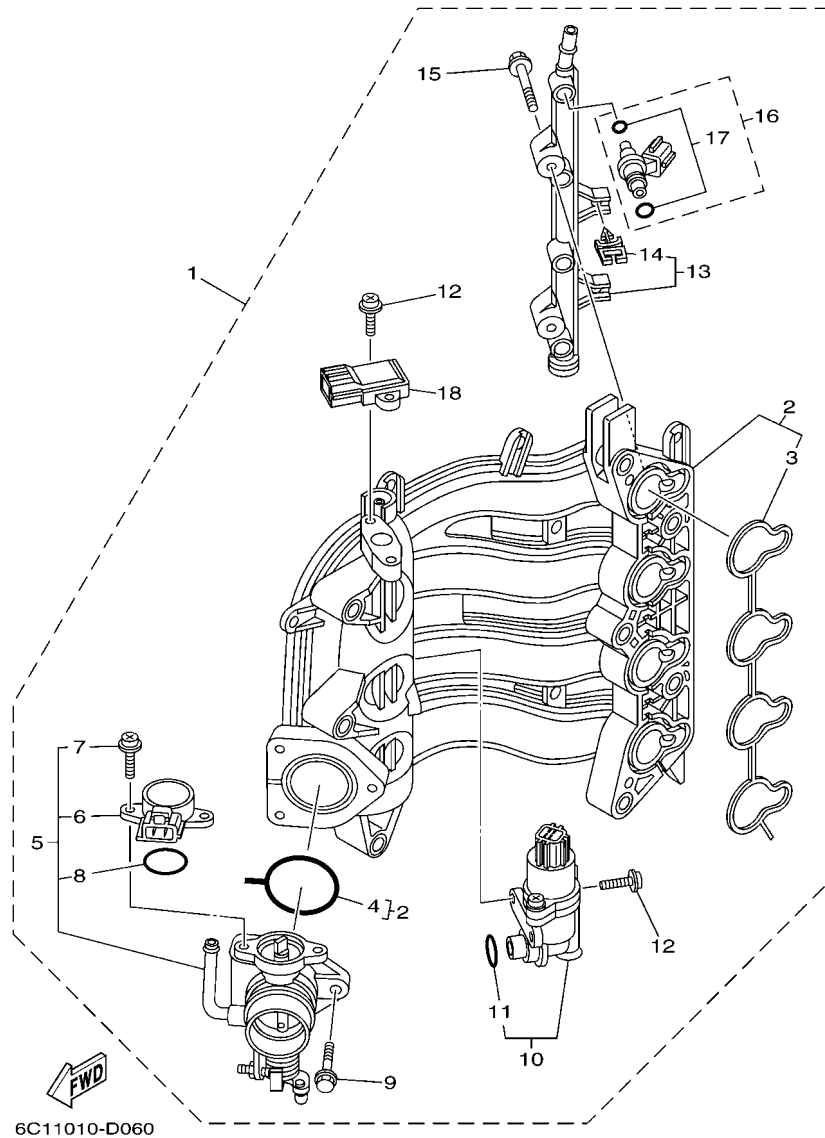
FIG. 6 VALVE

SOUPAPE

| REF. NO. | PART NO. N° PIECES | DESCRIPTION DESCRIPTION | Q | U | REMARKS REMARQUES |
|----------|--------------------|---|----|----|-------------------|
| 1 | 69W-12111-00 | VALVE, INTAKE SOUPAPE, ADMISSION | 4 | 4 | |
| 2 | 69W-12121-10 | VALVE, EXHAUST SOUPAPE, ECHAPPEMENT | 4 | 4 | |
| 3 | 62Y-12116-00 | SEAT, VALVE SPRING SIEGE, RESSORT DE SOUPAPE | 8 | 8 | |
| 4 | 51Y-12114-00 | SPRING, VALVE OUTER RESSORT DE SOUPAPE, EXTERNE | 8 | 8 | |
| 5 | 30X-12117-00 | RETAINER, VALVE SPRING BUTEE DE RESSORT DE SOUPAPE | 8 | 8 | |
| 6 | 30X-12118-00 | LOCK, VALVE SPRING RETAINER FRAISE, SOUPAPE | 16 | 16 | |
| 7 | 51Y-12119-00 | SEAL, VALVE STEM JOINT, QUEUE DE SOUPAPE | 8 | 8 | |
| 8 | 6C5-12146-00 | SHAFT, ROCKER AXE, CULBUTEUR | 1 | 1 | |
| 9 | 62Y-12151-00 | ARM, VALVE ROCKER CULBUTEUR | 1 | 1 | |
| 10 | 64J-12159-00 | SCREW, VALVE ADJUSTING VIS, REGLAGE DE SOUPAPE | 1 | 1 | |
| 11 | 62Y-12158-00 | NUT, LOCK CONTRE-ECROU | 1 | 1 | |
| 12 | 6C5-12151-00 | ARM, VALVE ROCKER CULBUTEUR | 7 | 7 | |
| 13 | 6C5-12159-00 | SCREW, VALVE ADJUSTING VIS, REGLAGE DE SOUPAPE | 7 | 7 | |
| 14 | 6C5-12158-00 | NUT, LOCK CONTRE-ECROU | 7 | 7 | |
| 15 | 6C5-12231-00 | GUIDE, STOPPER 1 GUIDE, BUTEE 1 | 1 | 1 | |
| 16 | 6C5-12233-00 | PLATE, GUIDE STOPPER 1 PLAQUE, GUIDE BUTEE 1 | 1 | 1 | |
| 17 | 6C5-12241-00 | GUIDE, STOPPER 2 GUIDE, BUTEE 2 | 1 | 1 | |
| 18 | 6C5-12243-00 | PLATE, GUIDE STOPPER 2 PLAQUE, GUIDE BUTEE 2 | 1 | 1 | |
| 19 | 90201-16014 | WASHER, PLATE RONDELLE, PLATE | 7 | 7 | |
| 20 | 90105-08060 | BOLT, FLANGE BOULON | 5 | 5 | |
| 21 | 92990-08200 | WASHER, PLAIN RONDELLE, PLATE | 3 | 3 | |

FIG. 7 INTAKE 1

ADMISSION 1



| REF. NO. | PART NO. N° PIECES | DESCRIPTION DESCRIPTION | Q | U | | | REMARKS REMARQUES |
|----------|--------------------|---|---|---|--|--|-------------------|
| 1 | 6C5-14200-00 | INTAKE ASSY ADMISSION (ENS.) | 1 | 1 | | | |
| 2 | 6C5-13641-00 | .MANIFOLD, INTAKE 1 .TUBULURE, ADMISSION 1 | 1 | 1 | | | |
| 3 | 6C5-13645-00 | .GASKET, MANIFOLD 1 .JOINT, TUBULURE 1 | 1 | 1 | | | |
| 4 | 6C5-13557-00 | .GASKET .JOINT | 1 | 1 | | | |
| 5 | 6C5-13750-00 | .THROTTLE BODY ASSY .CARTER D'ACCELERATEUR COMPLET | 1 | 1 | | | |
| 6 | 6C5-85885-00 | .THROTTLE SENSOR ASSY .SENSITOMETRE (ENS.) | 1 | 1 | | | |
| 7 | 6C5-81145-00 | .SCREW 1 .VIS 1 | 2 | 2 | | | |
| 8 | 6C5-8182L-00 | .O-RING 1 .JOINT TORIQUE 1 | 1 | 1 | | | |
| 9 | 6C5-14496-00 | .BOLT .BOULON | 3 | 3 | | | |
| 10 | 6C5-13105-01 | .CONTROL VALVE ASSY .SOUPAPE DE CONTROLE COMPLET | 1 | 1 | | | |
| 11 | 6C5-1319C-00 | .O-RING .JOINT TORIQUE | 1 | 1 | | | |
| 12 | 6C5-81146-10 | .SCREW 2 .VIS 2 | 4 | 4 | | | |
| 13 | 6C5-13161-00 | .PIPE, DELIVERY 1 .DURITE REFOULEMENT 1 | 1 | 1 | | | |
| 14 | 90464-07M56 | .CLAMP .BRIDE | 2 | 2 | | | |
| 15 | 6C5-14446-00 | .BOLT .BOULON | 2 | 2 | | | |
| 16 | 6C5-13761-00 | .INJECTOR .INJECTEUR | 4 | 4 | | | |
| 17 | 6C5-1410B-00 | .PACKING KIT .POCHETTE DE JOINTS | 1 | 1 | | | |
| 18 | 68F-83688-00 | .SENSOR ASSY .SONDE (ENS.) | 1 | 1 | | | |

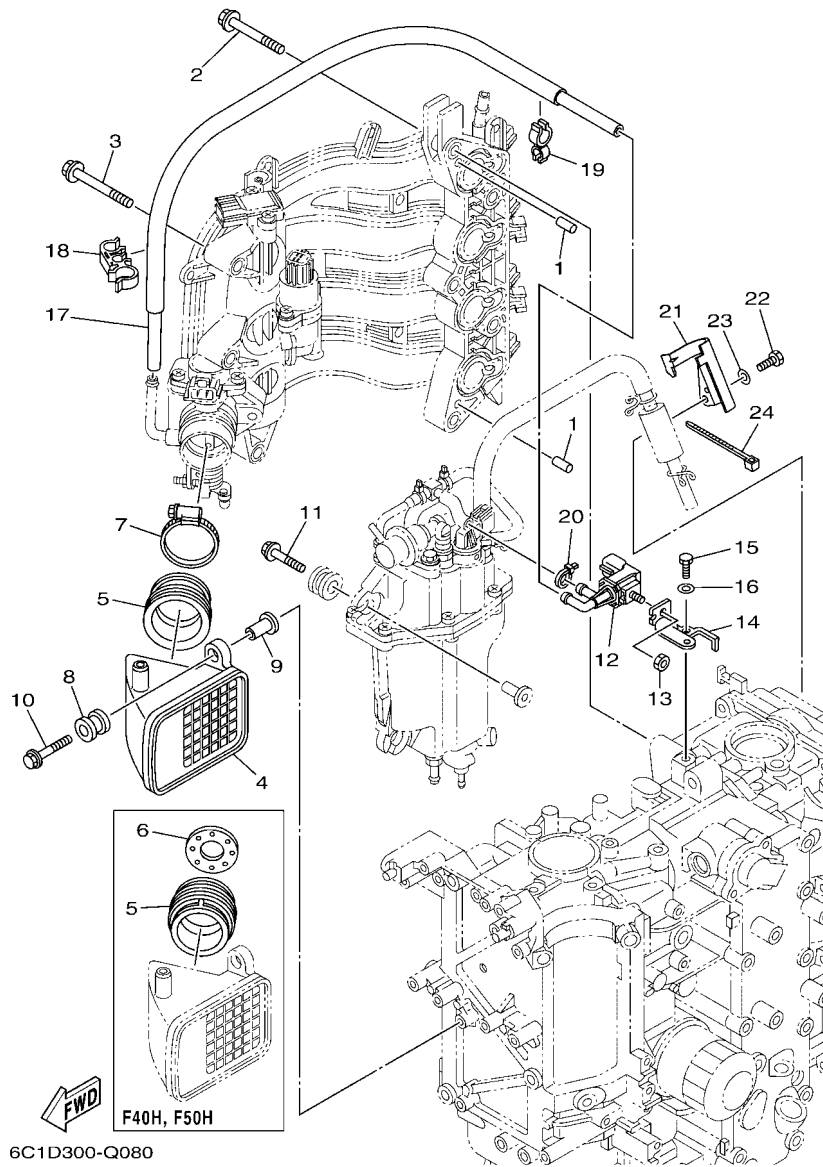


FIG. 8 INTAKE 2

ADMISSION 2

| REF. NO. | PART NO. N° PIECES | DESCRIPTION DESCRIPTION | QTY | QTY | REMARKS REMARQUES |
|----------|--------------------|---|-----|-----|--|
| 1 | 93608-12M05 | PIN, DOWEL AXE | 2 | 2 | |
| 2 | 90119-08069 | BOLT, WITH WASHER BOULON, AVEC RONDELLE | 5 | 5 | |
| 3 | 90119-06087 | BOLT, WITH WASHER BOULON, AVEC RONDELLE | 3 | 3 | |
| 4 | 6C5-14440-10 | SILENCER ASSY, INTAKE SIENCIEUX D'ADMISSION | 1 | 1 | |
| 5 | 6C1-14453-01 | JOINT, AIR CLEANER 1 RACCORD, FILTRE A AIR 1 | 1 | 1 | F40H,F50H F40H,F50H |
| 6 | 6C5-14453-01 | JOINT, AIR CLEANER 1 RACCORD, FILTRE A AIR 1 | 1 | 1 | F60F F60F F50H F50H F40H F40H |
| 6 | 6C1-14477-00 | PLATE PLAQUE | 1 | 1 | |
| 6 | 6AK-14477-01 | PLATE PLAQUE | 1 | 1 | |
| 7 | 90450-50001 | HOSE CLAMP ASSY BRIDE, DE DURITE | 1 | 1 | |
| 8 | 6A0-82317-00 | DAMPER, IGNITION COIL AMORTISSEUR, BOBINE D'ALLUM | 2 | 2 | |
| 9 | 90387-06119 | COLLAR COLLERETTE | 2 | 2 | |
| 10 | 90119-06126 | BOLT, WITH WASHER BOULON, AVEC RONDELLE | 2 | 2 | |
| 11 | 90119-06M61 | BOLT, WITH WASHER BOULON, AVEC RONDELLE | 3 | 3 | |
| 12 | 6C5-86120-00 | SOLENOID VALVE ASSY SOLENOIDE | 1 | 1 | |
| 13 | 95380-06600 | NUT, HEXAGON ECROU | 1 | 1 | |
| 14 | 6BG-86112-10 | STAY, SOLENOID SUPPORT, SOLENOIDE | 1 | 1 | |
| 15 | 97095-06016 | BOLT BOULON | 1 | 1 | |
| 16 | 92995-06600 | WASHER RONDELLE | 1 | 1 | |
| 17 | 6C5-12576-00 | HOSE 1 TUYAU 1 | 1 | 1 | |
| 18 | 90464-15008 | CLAMP BRIDE | 1 | 1 | |
| 19 | 90464-12006 | CLAMP BRIDE | 1 | 1 | |
| 20 | 90465-11M10 | CLAMP BRIDE | 1 | 1 | |
| 21 | 6C5-13428-01 | BRACKET, STRAINER 1 SUPPORT, FILTRE 1 | 1 | 1 | |
| 22 | 97095-06016 | BOLT BOULON | 1 | 1 | |
| 23 | 92995-06600 | WASHER RONDELLE | 1 | 1 | |
| 24 | 90465-13M18 | CLAMP BRIDE | 1 | 1 | |

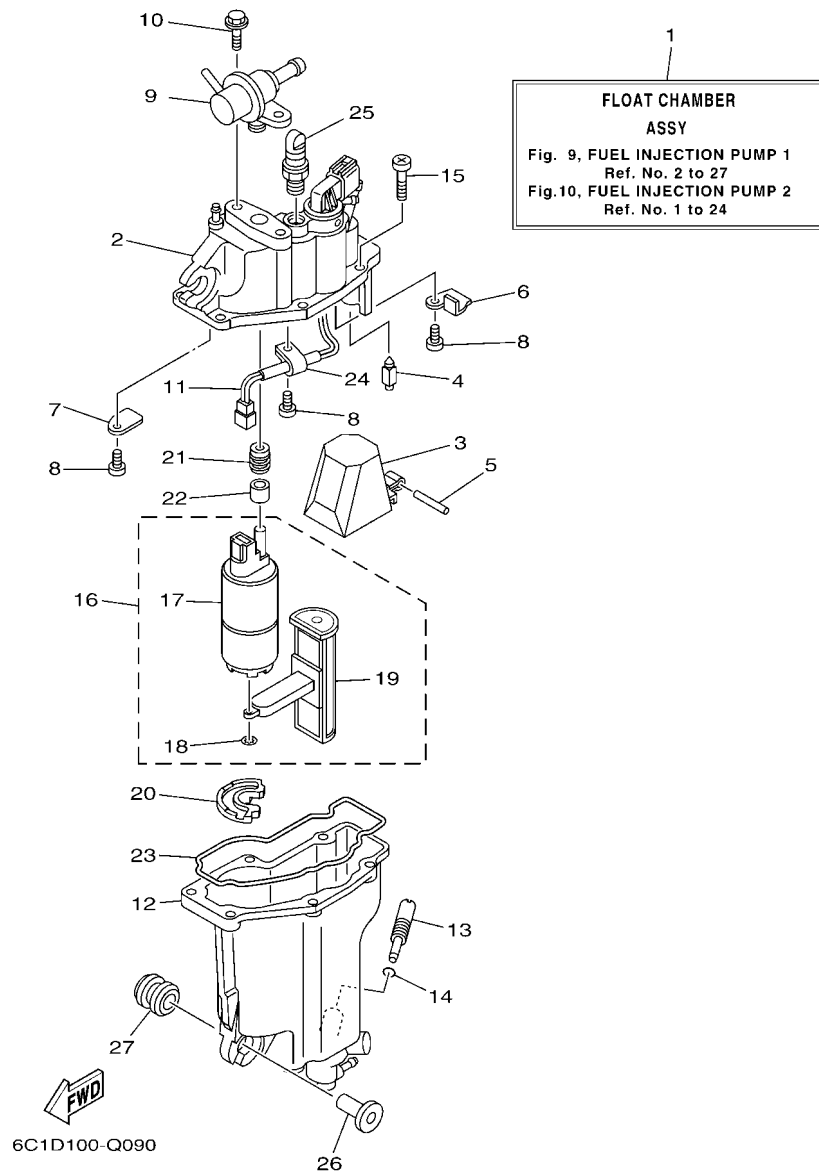


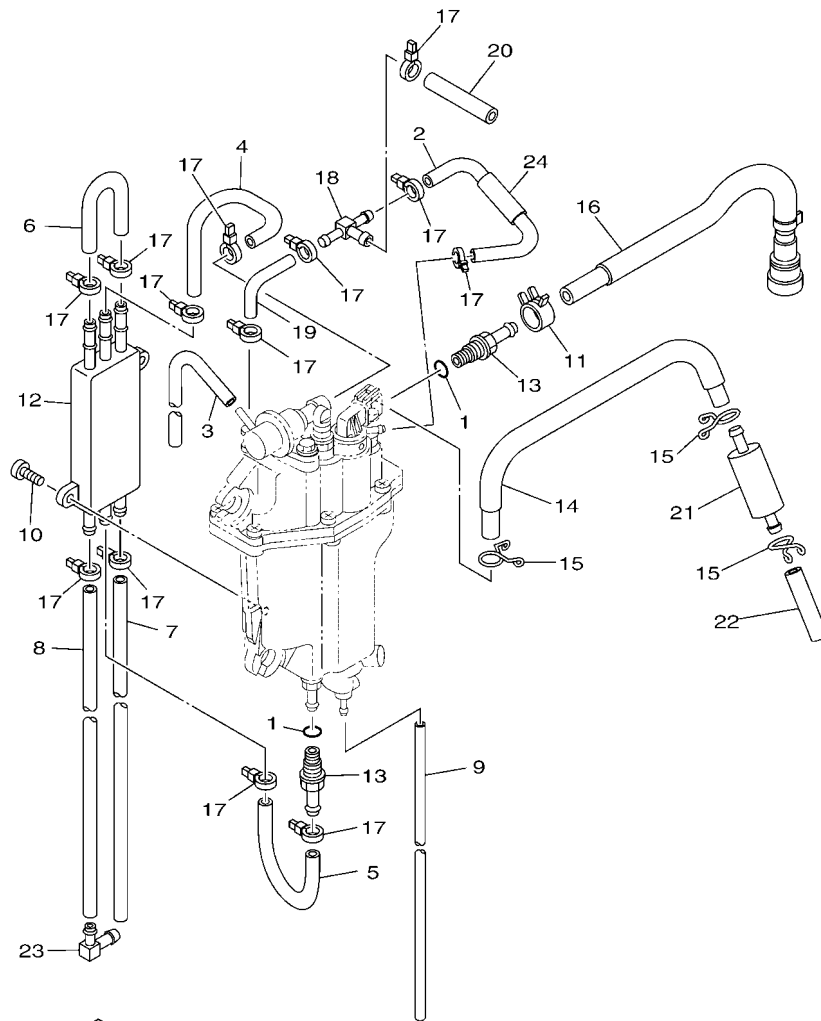
FIG. 9 FUEL INJECTION PUMP 1

POMPE A INJECTEUR 1

| REF. NO. | PART NO. N° PIECES | DESCRIPTION DESCRIPTION | QTY | QTY | | | REMARKS REMARQUES |
|----------|--------------------|---|-----|-----|--|--|-------------------|
| 1 | 6C5-14180-03 | FLOAT CHAMBER ASSY CUVE DE FLOTTEUR | 1 | 1 | | | |
| 2 | 6C5-14182-20 | COVER, FLOAT CHAMBER COUVERCLE, CUVE DE FLOTTEUR | 1 | 1 | | | |
| 3 | 6C5-14985-00 | FLOAT FLOTTEUR | 1 | 1 | | | |
| 4 | 6C5-14546-10 | VALVE, NEEDLE POINTEAU | 1 | 1 | | | |
| 5 | 6C5-14386-00 | PIN, FLOAT AXE, FLOTTEUR | 1 | 1 | | | |
| 6 | 6C5-2441R-10 | PLATE, BAFFLE 1 SEPARATEUR 1 | 1 | 1 | | | |
| 7 | 6C5-2441T-10 | PLATE, BAFFLE 2 SEPARATEUR 2 | 1 | 1 | | | |
| 8 | 6C5-24453-00 | SCREW VIS | 3 | 3 | | | |
| 9 | 6C5-13906-01 | REGULATOR, PRESSURE REGULATEUR DE PRESSION | 1 | 1 | | | |
| 10 | 6C5-24592-00 | BOLT BOLTE | 2 | 2 | | | |
| 11 | 6C5-87226-00 | WIRE HARNESS ASSY ENS. FAISCEAU ELECTRIQUE | 1 | 1 | | | |
| 12 | 6C5-14960-20 | BODY ASSY CARTER (ENS.) | 1 | 1 | | | |
| 13 | 6C5-14191-00 | PLUG, DRAIN PLOT, VIDANGE | 1 | 1 | | | |
| 14 | 6C5-14397-00 | O-RING JOINT TORIQUE | 1 | 1 | | | |
| 15 | 6C5-14567-00 | SCREW VIS | 6 | 6 | | | |
| 16 | 6C5-13910-10 | FUEL PUMP ASSY POMPE A ESSENCE COMPLET | 1 | 1 | | | |
| 17 | 6C5-13907-00 | .FUEL PUMP COMP. .POMPE A CARBURANT COMP. | 1 | 1 | | | |
| 18 | 6C5-14127-10 | .CLIP .JONC | 1 | 1 | | | |
| 19 | 6C5-13915-00 | .FILTER .FILTRE | 1 | 1 | | | |
| 20 | 6C5-13593-00 | DAMPER AMORTISSEUR | 1 | 1 | | | |
| 21 | 6C5-13781-00 | DAMPER, PUMP AMORTISSEUR, POMPE | 1 | 1 | | | |
| 22 | 6C5-13716-00 | COLLAR COLLERETTE | 1 | 1 | | | |
| 23 | 6C5-14984-10 | GASKET, FLOAT CHAMBER JOINT, CUVE DE FLOTTEUR | 1 | 1 | | | |
| 24 | 6C5-21337-10 | CLAMP, CABLE COLLIER, CABLE | 1 | 1 | | | |
| 25 | 6C5-14225-00 | CAP COUVERCLE | 1 | 1 | | | |
| 26 | 90387-06M69 | COLLAR COLLERETTE | 3 | 3 | | | |
| 27 | 90480-09M12 | GROMMET PASSE-FIL | 3 | 3 | | | |

FIG. 10 FUEL INJECTION PUMP 2

POMPE A INJECTEUR 2

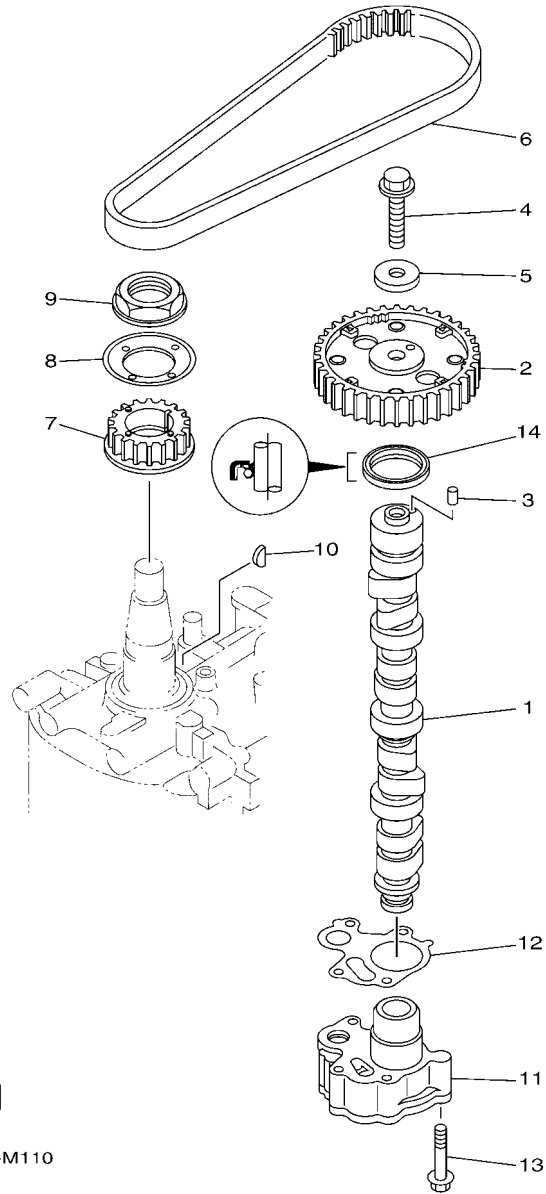


6C1D100-Q100

| REF. NO. | PART NO. N° PIECES | DESCRIPTION DESCRIPTION | QU | UN | | | REMARKS REMARQUES |
|----------|--------------------|--|----|----|--|--|-------------------|
| 1 | 6C5-13739-00 | O-RING JOINT TORIQUE | 2 | 2 | | | |
| 2 | 6C5-13546-00 | HOSE 2 DURITE 2 | 1 | 1 | | | |
| 3 | 6C5-13542-00 | HOSE, VACUUM SENSING 1 DURITE 1 | 1 | 1 | | | |
| 4 | 6C5-24321-00 | PIPE 10 DURITE 10 | 1 | 1 | | | |
| 5 | 6C5-24322-00 | PIPE 11 DURITE 11 | 1 | 1 | | | |
| 6 | 6BG-24323-00 | PIPE 12 DURITE 12 | 1 | 1 | | | |
| 7 | 6CJ-24324-00 | PIPE 13 DURITE 13 | 1 | 1 | | | |
| 8 | 6CJ-24325-00 | PIPE 14 DURITE 14 | 1 | 1 | | | |
| 9 | 6BG-14149-00 | PIPE DURITE | 1 | 1 | | | |
| 10 | 6C5-24444-00 | SCREW VIS | 2 | 2 | | | |
| 11 | 6C5-13577-00 | CLIP AGRAFE | 1 | 1 | | | |
| 12 | 6C5-21841-01 | COOLER RADIATEUR | 1 | 1 | | | |
| 13 | 6C5-14251-00 | NIPPLE RACCORD | 2 | 2 | | | |
| 14 | 6C5-14148-00 | PIPE DURITE | 1 | 1 | | | |
| 15 | 6C5-24387-00 | CLIP SANDOW | 3 | 3 | | | |
| 16 | 6C5-13974-00 | PIPE, FUEL 4 TUBE 4, CARBURANT | 1 | 1 | | | |
| 17 | 90465-11M10 | CLAMP BRIDE | 13 | 13 | | | |
| 18 | 6C5-24379-00 | PIPE, JOINT 4 DURITE RACCORDEMENT 4 | 1 | 1 | | | |
| 19 | 6C5-13545-00 | HOSE 1 DURITE 1 | 1 | 1 | | | |
| 20 | 6C5-13547-00 | HOSE 3 DURITE 3 | 1 | 1 | | | |
| 21 | 6C5-24251-00 | STRAINER 1 FILTRE 1 | 1 | 1 | | | |
| 22 | 6C5-2451B-00 | HOSE, FUEL INLET DURITE | 1 | 1 | | | |
| 23 | 6C5-1410F-00 | CONNECTOR CONNECTEUR | 1 | 1 | | | |
| 24 | 6C5-13548-00 | HOSE, AIR 4 DURITE, A AIR 4 | 1 | 1 | | | |

FIG. 11 OIL PUMP

POMPE A HUILE




6C1A100-M110

| REF. NO. | PART NO. N° PIECES | DESCRIPTION DESCRIPTION | Q | U | | | REMARKS REMARQUES |
|----------|--------------------|---|---|---|--|--|-------------------|
| 1 | 6C5-12171-00 | CAMSHAFT 1 ARBRE A CAMES 1 | 1 | 1 | | | |
| 2 | 6C5-11537-10 | GEAR, DRIVEN PIGNON SECONDAIRE | 1 | 1 | | | |
| 3 | 93605-17002 | PIN, DOWEL AXE | 1 | 1 | | | |
| 4 | 95817-10035 | BOLT, FLANGE BOULON, A COLLERETTE | 1 | 1 | | | |
| 5 | 90201-10144 | WASHER, PLATE RONDELLE, PLATE | 1 | 1 | | | |
| 6 | 6C5-46241-00 | BELT COURROIE TRAPEZOIDALE | 1 | 1 | | | |
| 7 | 6C5-11536-00 | GEAR, DRIVE ENGRENAGE, MENANT | 1 | 1 | | | |
| 8 | 62Y-11557-00 | WASHER 1 RONDELLE 1 | 1 | 1 | | | |
| 9 | 90179-35001 | NUT ECROU | 1 | 1 | | | |
| 10 | 90280-03017 | KEY, WOODRUFF CLAVETTE, DEMI-LUNE | 1 | 1 | | | |
| 11 | 6C5-13300-01 | OIL PUMP ASSY POMPE A HUILE COMPLETE | 1 | 1 | | | |
| 12 | 6C5-13329-00 | GASKET, PUMP COVER JOINT, COUVERCLE DE POMPE | 1 | 1 | | | |
| 13 | 90119-06025 | BOLT, WITH WASHER BOULON, AVEC RONDELLE | 4 | 4 | | | |
| 14 | 93102-37M40 | OIL SEAL JOINT SPY | 1 | 1 | | | |

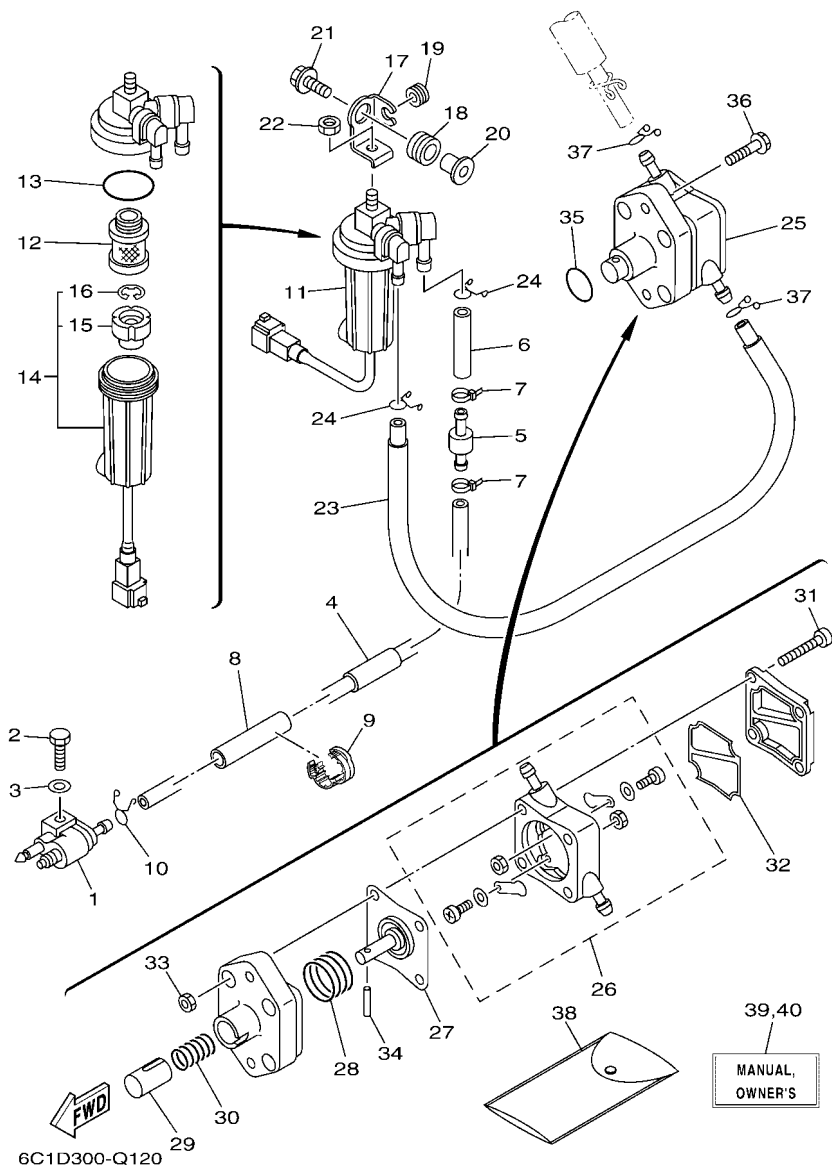


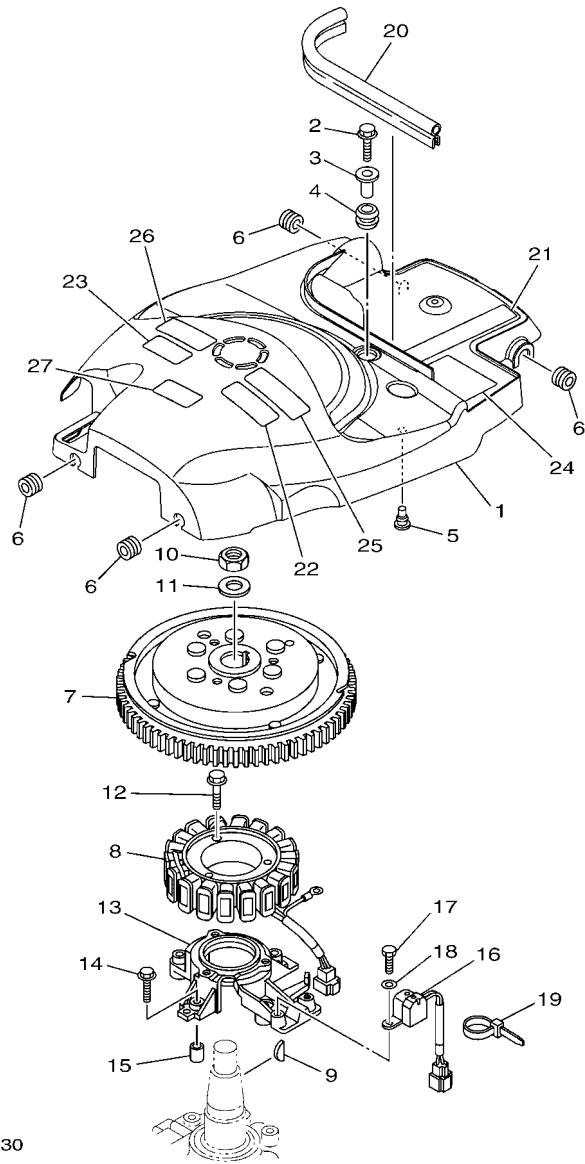
FIG. 12 FUEL

CARBURANT

| REF. NO. | PART NO. N° PIECES | DESCRIPTION DESCRIPTION | QTY | QTY | REMARKS REMARQUES |
|----------|--------------------|---|-----|-----|--------------------|
| 28 | 62Y-24423-00 | .SPRING, DIAPHRAGM .RESSORT, DIAPHRAGME | 1 | 1 | |
| 29 | 62Y-13131-00 | .PLUNGER .PLONGEUR | 1 | 1 | |
| 30 | 62Y-24454-00 | .SPRING .RESSORT | 1 | 1 | |
| 31 | 62Y-24444-01 | .SCREW .VIS | 4 | 4 | |
| 32 | 6C5-24471-00 | .DIAPHRAGM .DIAPHRAGME | 1 | 1 | |
| 33 | 95380-05600 | .NUT .ECROU | 4 | 4 | |
| 34 | 62Y-24374-01 | .PIN .PIN | 1 | 1 | |
| 35 | 93210-24M79 | O-RING JOINT TORIQUE | 1 | 1 | |
| 36 | 97595-06530 | BOLT, WITH WASHER VIS HEXAGONAL AVC RONDELLE | 2 | 2 | |
| 37 | 90467-10M04 | CLIP JONC | 2 | 2 | |
| 38 | 6C5-28100-00 | TOOL KIT TROUSSE A OUTILS | 1 | 1 | AP AP |
| 39 | 6C1-28199-7E-E0 | MANUAL, OWNER'S MANUEL D'UTILISATION | 1 | 1 | UR (E) UR (E) |
| | 6C1-28199-7E-F0 | MANUAL, OWNER'S MANUEL D'UTILISATION | 1 | 1 | UR (F) UR (F) |
| | 6C1-28199-7E-S0 | MANUAL, OWNER'S MANUEL D'UTILISATION | 1 | 1 | UR (ES) UR (ES) |
| | 6C1-28199-7E-G0 | MANUAL, OWNER'S MANUEL D'UTILISATION | 1 | 1 | UR (D) UR (D) |
| | 6C1-28199-7E-D0 | MANUAL, OWNER'S MANUEL D'UTILISATION | 1 | 1 | UR (NL) UR (NL) |
| | 6C1-28199-7E-H0 | MANUAL, OWNER'S MANUEL D'UTILISATION | 1 | 1 | UR (I) UR (I) |
| 40 | 6C1-28199-8E-K0 | MANUAL, OWNER'S MANUEL D'UTILISATION | 1 | 1 | UR (DK) UR (DK) |
| | 6C1-28199-8E-R0 | MANUAL, OWNER'S MANUEL D'UTILISATION | 1 | 1 | UR (GR) UR (GR) |
| | 6C1-28199-8E-P0 | MANUAL, OWNER'S MANUEL D'UTILISATION | 1 | 1 | UR (P) UR (P) |
| | 6C1-28199-8E-N0 | MANUAL, OWNER'S MANUEL D'UTILISATION | 1 | 1 | UR (N) UR (N) |
| | 6C1-28199-8E-M0 | MANUAL, OWNER'S MANUEL D'UTILISATION | 1 | 1 | UR (S) UR (S) |
| | 6C1-28199-8E-L0 | MANUAL, OWNER'S MANUEL D'UTILISATION | 1 | 1 | UR (SF) UR (SF) |

FIG. 13 GENERATOR

GENERATRICE

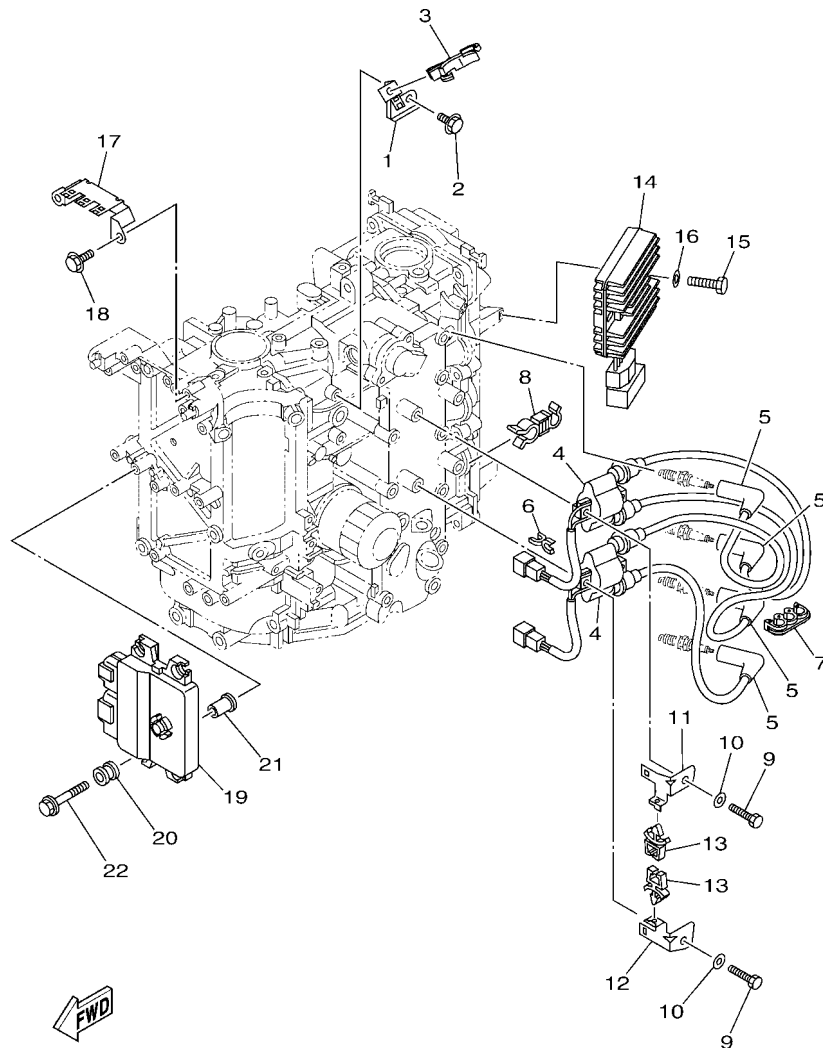


6C1A300-M130

| REF. NO. | PART NO. N° PIECES | DESCRIPTION DESCRIPTION | Q | U | | REMARKS REMARQUES |
|----------|--------------------|--|---|---|--|-------------------|
| 1 | 6C5-81337-10 | COVER, FLYWHEEL COUVERCLE, VOLANT | 1 | 1 | | |
| 2 | 95895-06020 | BOLT, FLANGE BOULON | 1 | 1 | | |
| 3 | 90387-06285 | COLLAR COLLERETTE | 1 | 1 | | |
| 4 | 90480-15M31 | GROMMET PASSE-FIL | 1 | 1 | | |
| 5 | 90480-06M19 | GROMMET PASSE-FIL | 1 | 1 | | |
| 6 | 90480-12314 | GROMMET PASSE-FIL | 4 | 4 | | |
| 7 | 6C5-81450-00 | ROTOR ASSY ROTOR COMPLET | 1 | 1 | | |
| 8 | 6C5-81410-01 | STATOR ASSY STATOR COMPLET | 1 | 1 | | |
| 9 | 6H4-11545-00 | KEY, WOODRUFF CLAVETTE, DEMI-LUNE | 1 | 1 | | |
| 10 | 90170-20137 | NUT ECROU | 1 | 1 | | |
| 11 | 90201-21M18 | WASHER, PLATE RONDELLE, PLATE | 1 | 1 | | |
| 12 | 95023-06030 | BOLT BOULON, A COLLERETTE | 3 | 3 | | |
| 13 | 6C5-85561-00 | BASE, MAGNETO BASE, MAGNETO | 1 | 1 | | |
| 14 | 95023-06030 | BOLT BOULON, A COLLERETTE | 4 | 4 | | |
| 15 | 99530-08012 | PIN, DOWEL GOIJON, D'ASSEMBLAGE | 2 | 2 | | |
| 16 | 62Y-85580-00 | COIL, PULSER BOBINE, PULSEUR | 1 | 1 | | |
| 17 | 97095-05012 | BOLT BOULON | 2 | 2 | | |
| 18 | 92995-05600 | WASHER RONDELLE | 2 | 2 | | |
| 19 | 90465-13M97 | CLAMP BRIDE | 1 | 1 | | |
| 20 | 6CB-42617-00 | DAMPER, FORM BOURRELET, CAOUTCHOUC | 1 | 1 | | |
| 21 | 6C5-13437-62 | MARK, CAUTION MAKER | 1 | 1 | | |
| 22 | 6EE-81995-40 | LABEL, WARNING ETIQUETTE, AVERTISSEMENT | 1 | 1 | | |
| 23 | 6EE-81995-50 | LABEL, WARNING ETIQUETTE, AVERTISSEMENT | 1 | 1 | | |
| 24 | 62Y-83626-00 | MARK 6 MARK 6 | 1 | 1 | | |
| 25 | 6EE-81994-40 | LABEL, SAFETY ETIQUETTE, SECURITE | 1 | 1 | | |
| 26 | 6EE-81994-50 | LABEL, SAFETY ETIQUETTE, SECURITE | 1 | 1 | | |
| 27 | 6AG-81996-00 | MARK MARQUE | 1 | 1 | | |

FIG. 14 ELECTRICAL 1

PARTIE ELECTRIQUE 1

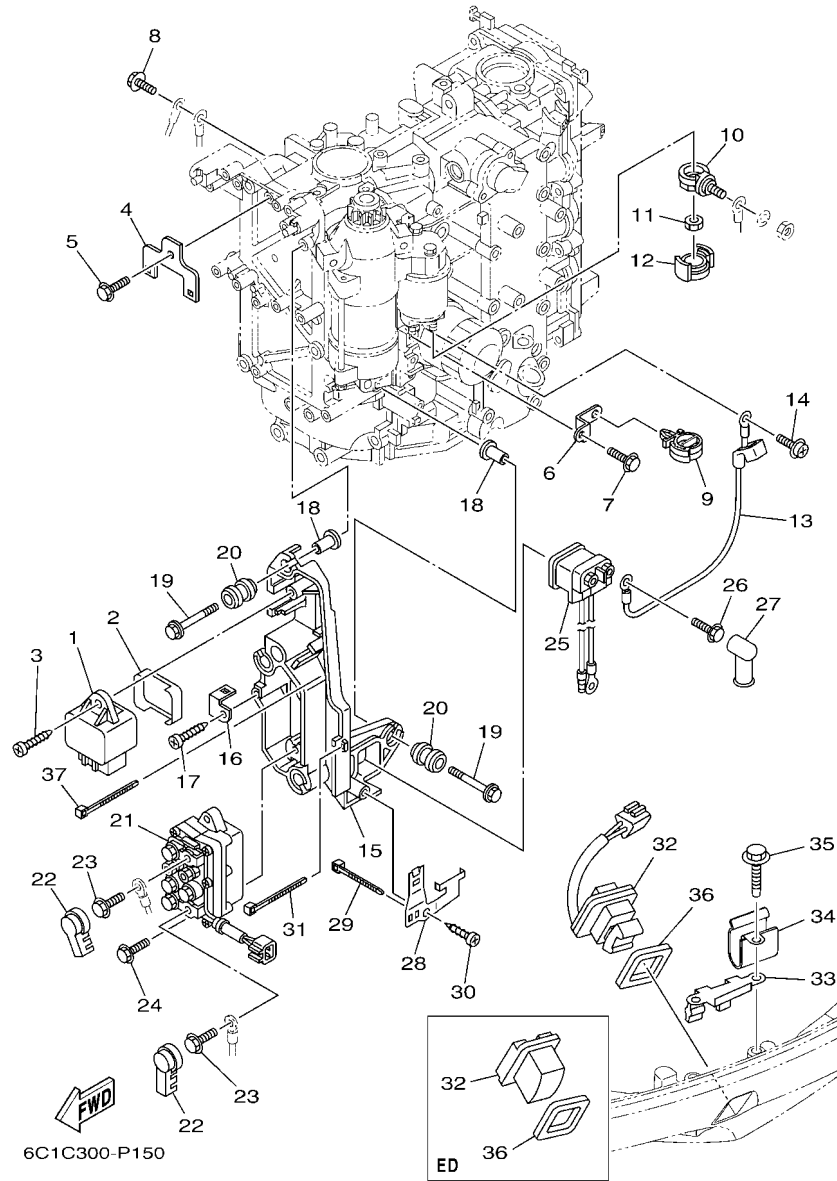


6C1C300-P140

| REF. NO. | PART NO. N° PIECES | DESCRIPTION DESCRIPTION | QTY | QTY | | REMARKS REMARQUES |
|----------|------------------------------|--|--------|--------|--|------------------------------|
| 1 | 6C5-85525-00 | PLATE PLAQUE | 1 | 1 | | |
| 2 | 97595-06514 | BOLT, WITH WASHER VIS HEXAGONAL AVC RONDELLE | 1 | 1 | | |
| 3 | 90464-18246 | CLAMP BRIDE | 1 | 1 | | |
| 4 | 63P-82310-01 | IGNITION COIL ASSY BOBINE D'ALLUMAGE | 2 | 2 | | |
| 5 | 6CJ-82340-00 | HIGH TENSION CORD ASSY 1 CABLE HAUTE TENSION 1 | 4 | 4 | | |
| 6 | 90464-07M41 | CLAMP BRIDE | 1 | 1 | | |
| 7 | 90464-07M05 | CLAMP BRIDE | 1 | 1 | | |
| 8 | 90464-13013 | CLAMP BRIDE | 1 | 1 | | |
| 9 | 97095-06025 | BOLT BOULON | 4 | 4 | | |
| 10 | 92995-06600 | WASHER RONDELLE | 4 | 4 | | |
| 11 | 6C5-82316-01 | BRACKET, IGNITION COIL SUPPORT, BOBINE D'ALLUMAGE | 1 | 1 | | |
| 12 | 6C5-82316-11 | BRACKET, IGNITION COIL SUPPORT, BOBINE D'ALLUMAGE | 1 | 1 | | |
| 13 | 90464-06001 | CLAMP BRIDE | 2 | 2 | | |
| 14 | 68V-81960-10 | RECTIFIER & REGULATOR ASSY REDRESSEUR REGULATEUR CPLT | 1 | 1 | | |
| 15 | 97095-06025 | BOLT BOULON | 2 | 2 | | |
| 16 | 92995-06600 | WASHER RONDELLE | 2 | 2 | | |
| 17 | 6C5-82171-00 | STAY, FUSE BOX SUPPORT, BOITE A FUSIBLES | 1 | 1 | | |
| 18 | 97595-06514 | BOLT, WITH WASHER VIS HEXAGONAL AVC RONDELLE | 2 | 2 | | |
| 19 | 6C1-8591A-25 6C5-8591A-25 | ENGINE CONTROL UNIT ASSY BLOC DE CONTROL ENGINE CONTROL UNIT ASSY BLOC DE CONTROL | 1 1 | 1 1 | | F50H F50H F60F F60F |
| | 6AK-8591A-05 | ENGINE CONTROL UNIT ASSY BLOC DE CONTROL | 1 | 1 | | F40H F40H |
| 20 | 6C5-82317-00 | DAMPER, IGNITION COIL AMORTISSEUR, BOBINE D'ALLUM | 4 | 4 | | |
| 21 | 90387-06119 | COLLAR COLLERETTE | 4 | 4 | | |
| 22 | 90119-06M59 | BOLT, WITH WASHER BOULON, AVEC RONDELLE | 4 | 4 | | |

FIG. 15 ELECTRICAL 2

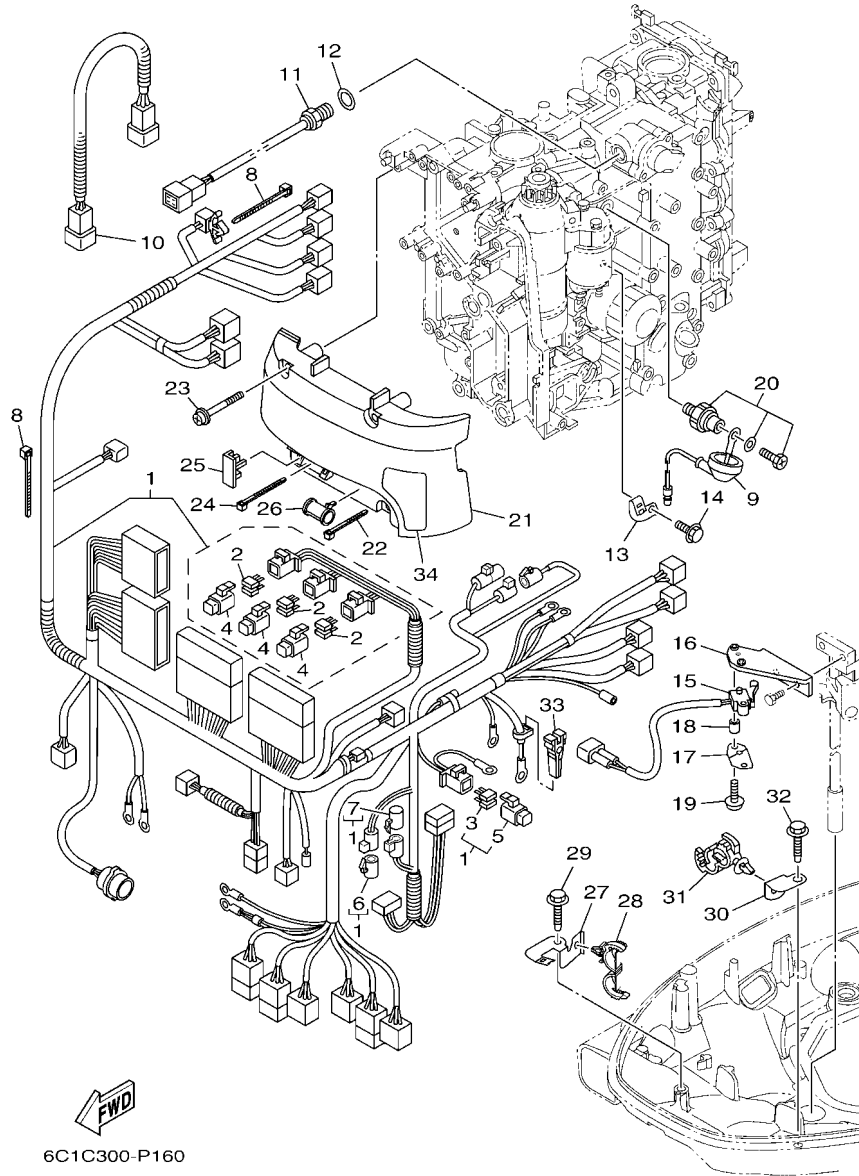
PARTIE ELECTRIQUE 2



| REF. NO. | PART NO. N° PIECES | DESCRIPTION DESCRIPTION | Q | Q | | REMARKS REMARQUES |
|----------|--------------------|--|---|---|--|-------------------|
| 1 | 60E-81950-00 | RELAY ASSY RELAIS COMPLET | 1 | 1 | | |
| 2 | 6C5-81336-00 | GROMMET OUILLET CAOUTCHOUC | 1 | 1 | | |
| 3 | 97780-60620 | SCREW, TAPPING VIS, TETE BOMBEE | 1 | 1 | | |
| 4 | 6C5-8257V-00 | PLATE, CONNECTOR PLAQUE, CONNECTEUR | 1 | 1 | | |
| 5 | 97595-06514 | BOLT, WITH WASHER VIS HEXAGONAL AVC RONDELLE | 1 | 1 | | |
| 6 | 6C5-85525-10 | PLATE PLAQUE | 1 | 1 | | |
| 7 | 97595-06620 | BOLT, WITH WASHER VIS HEXAGONAL AVC RONDELLE | 3 | 3 | | |
| 8 | 97595-06620 | BOLT, WITH WASHER VIS HEXAGONAL AVC RONDELLE | 1 | 1 | | |
| 9 | 90464-12183 | CLAMP BRIDE | 1 | 1 | | |
| 10 | 60V-81925-00 | TERMINAL BORNE | 1 | 1 | | |
| 11 | 90179-08003 | NUT ECROU | 1 | 1 | | |
| 12 | 68F-82582-00 | COVER, WIRE HARNESS COUVERCLE, FAISCEAU DE FILS | 1 | 1 | | |
| 13 | 6C5-81815-00 | CORD, STARTER MOTOR FIL, DEMARREUR ELECTRIQUE | 1 | 1 | | |
| 14 | 90159-04005 | SCREW, WITH WASHER VIS, AVEC RONDELLE | 1 | 1 | | |
| 15 | 6C5-81948-00 | BRACKET SUPPORT | 1 | 1 | | |
| 16 | 6C5-85548-00 | HOLDER SUPPORT | 1 | 1 | | |
| 17 | 97780-60620 | SCREW, TAPPING VIS, TETE BOMBEE | 1 | 1 | | |
| 18 | 90387-06119 | COLLAR COLLERETTE | 4 | 4 | | |
| 19 | 90119-06M59 | BOLT, WITH WASHER BOULON, AVEC RONDELLE | 4 | 4 | | |
| 20 | 6A0-82317-00 | DAMPER, IGNITION COIL AMORTISSEUR, BOBINE D'ALLUM | 4 | 4 | | |
| 21 | 63P-81950-00 | RELAY ASSY RELAIS COMPLET | | 1 | | |
| 22 | 6P2-8183X-00 | CAP, TERMINAL COUVERCLE, BORNE | | 2 | | |
| 23 | 97595-06610 | BOLT, WITH WASHER VIS HEXAGONAL AVC RONDELLE | | 2 | | |
| 24 | 97595-06520 | BOLT, WITH WASHER VIS HEXAGONAL AVC RONDELLE | | 2 | | |
| 25 | 68V-8194A-00 | RELAY RELAIS | 1 | 1 | | |
| 26 | 97595-06610 | BOLT, WITH WASHER VIS HEXAGONAL AVC RONDELLE | 2 | 2 | | |
| 27 | 6G5-82119-00 | COVER, LEAD WIRE GARNITURE, FIL | 2 | 2 | | |

FIG. 16 ELECTRICAL 3

PARTIE ELECTRIQUE 3



6C1C300-P160

| REF. NO. | PART NO. N° PIECES | DESCRIPTION DESCRIPTION | QTY | QTY | REMARKS REMARQUES |
|----------|--------------------|--|-----|-----|--------------------------------------|
| 1 | 6C5-82590-E0 | WIRE HARNESS ASSY FAISCEAU DE FILS COMPLET | 1 | | |
| | 6C5-82590-F1 | WIRE HARNESS ASSY FAISCEAU DE FILS COMPLET | | 1 | FOR TILT LIMIT FOR TILT LIMIT |
| 2 | 67F-82151-00 | .FUSE (20A) .FUSIBLE (20A) | 6 | 6 | |
| 3 | 67F-82151-10 | .FUSE (30A) .FUSIBLE (30A) | 2 | 2 | |
| 4 | 67F-8215B-10 | .CAP (YELLOW) .BOUCHON (YELLOW) | 3 | 3 | |
| 5 | 67F-8215B-20 | .CAP (GREEN) .BOUCHON (GREEN) | 1 | 1 | |
| 6 | 6DA-82582-00 | .CAP 1 (FEMALE) .BOUCHON 1 (FEMME) | 1 | 1 | FOR 6C5-82590-F1 FOR 6C5-82590-F1 |
| 7 | 6DA-82582-10 | .CAP 1 (MALE) .BOUCHON 1 (MALE) | 1 | 1 | FOR 6C5-82590-F1 FOR 6C5-82590-F1 |
| 8 | 90465-13M11 | CLAMP BRIDE | 2 | 2 | |
| 9 | 68V-81315-00 | LEAD WIRE ASSY FIL | 1 | 1 | |
| 10 | 6C5-82553-00 | EXTENSION, WIRE LEAD EXTENSION, FAISCEAU | 1 | 1 | |
| 11 | 6CJ-85790-00 | THERMOSENSOR ASSY SENSITOMETRE | 1 | 1 | |
| 12 | 90430-14115 | GASKET JOINT | 1 | 1 | |
| 13 | 6C5-82388-10 | PLATE PLAQUETTE | 1 | 1 | |
| 14 | 97595-06514 | BOLT, WITH WASHER VIS HEXAGONAL AVEC RONDELLE | 1 | 1 | |
| 15 | 60V-8259F-00 | SWITCH ASSY COMMUTEUR | 1 | 1 | |
| 16 | 6CJ-82554-00 | STAY, NEUTRAL SWITCH SUPPORT, CONT DE POINT-MORT | 1 | 1 | |
| 17 | 61A-82588-01 | PLATE PLAQUE | 1 | 1 | |
| 18 | 90387-04001 | COLLAR COLLERETTE | 1 | 1 | |
| 19 | 97985-04116 | SCREW, WITH WASHER VIS, AVEC RONDELLE | 2 | 2 | |
| 20 | 64J-82504-00 | OIL PRESSURE SWITCH ASSY CONTACTEUR DE PRESSION D'HUILE | 1 | 1 | |
| 21 | 6C5-81942-00 | COVER COUVERCLE | 1 | 1 | |
| 22 | 90465-13M39 | CLAMP BRIDE | 1 | 1 | |
| 23 | 90159-06M14 | SCREW, WITH WASHER VIS, AVEC RONDELLE | 4 | 4 | |
| 24 | 90465-13M24 | CLAMP BRIDE | 1 | 1 | |
| 25 | 6C5-82176-00 | DAMPER AMORTISSEUR | 2 | 2 | |
| 26 | 6C5-8252R-00 | DAMPER AMORTISSEUR | 1 | 1 | |

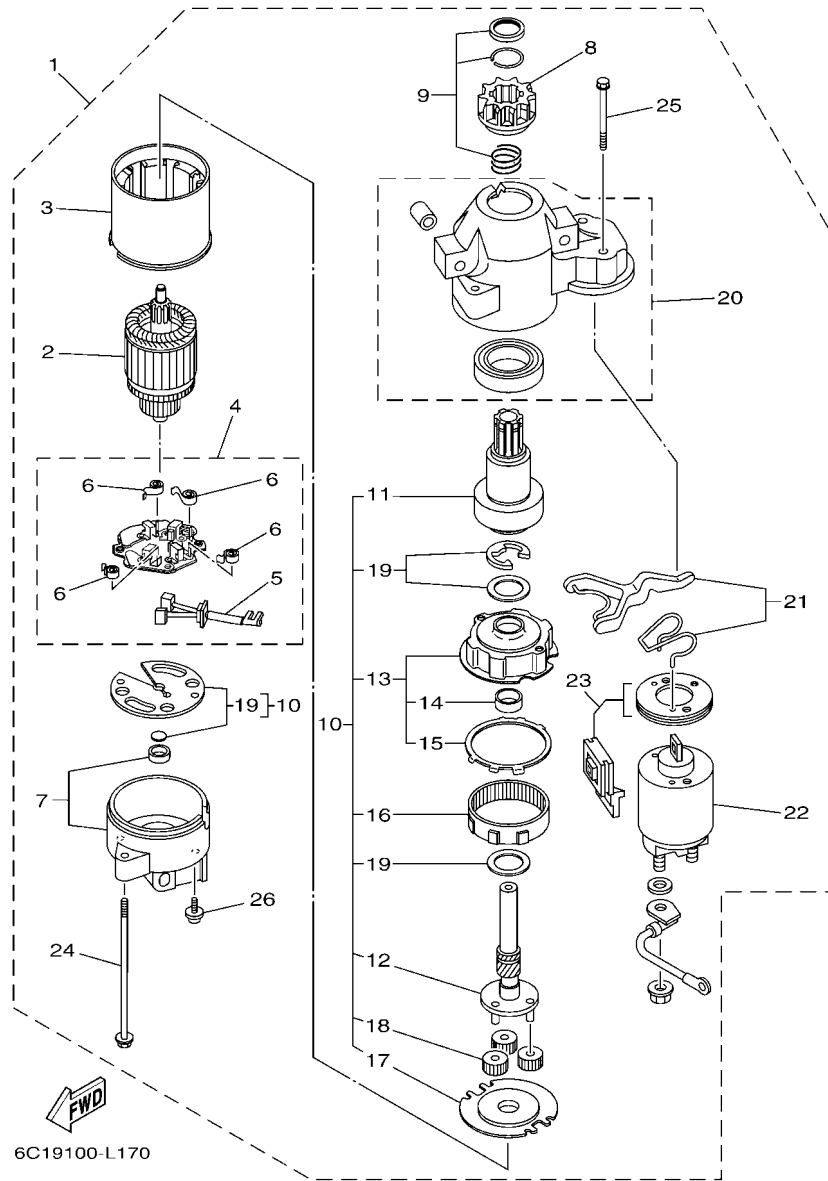


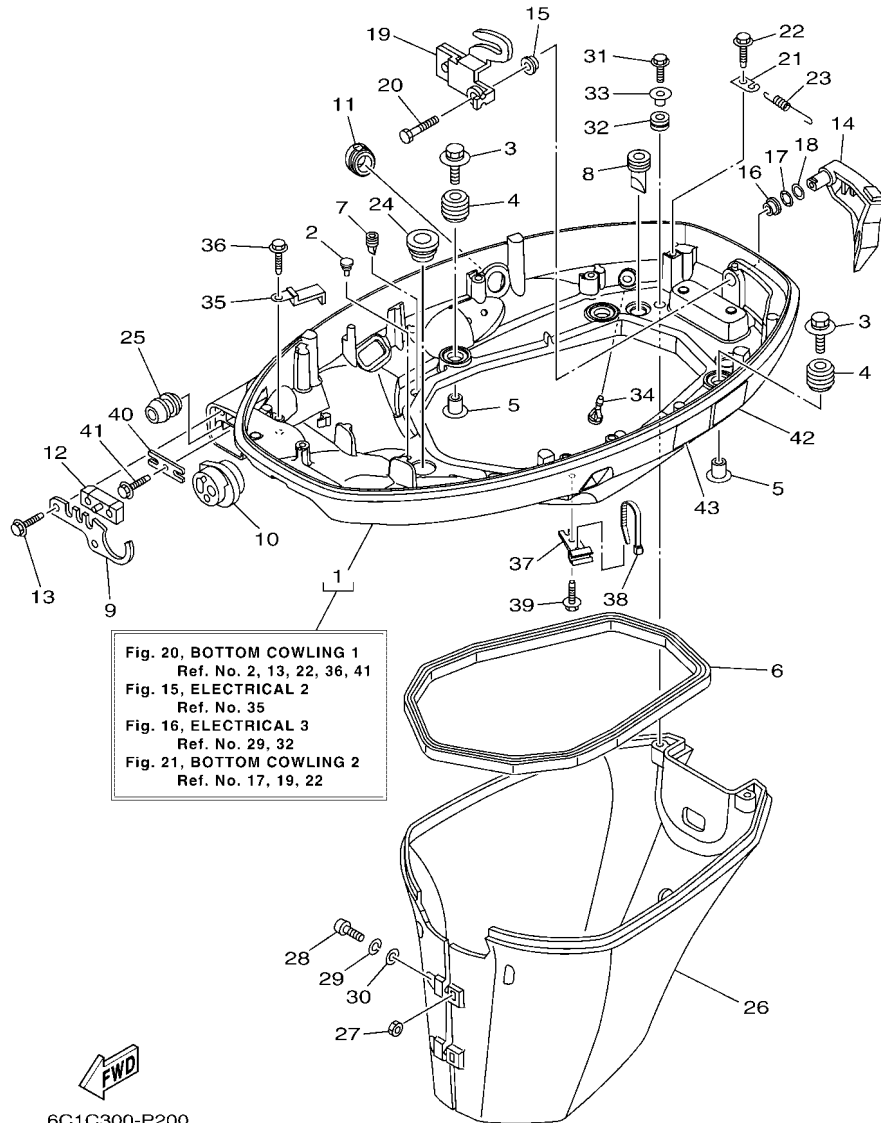
FIG. 19 STARTING MOTOR

DEMARREUR ELECTRIQUE

| REF. NO. | PART NO. N° PIECES | DESCRIPTION DESCRIPTION | QTY | QTY | REMARKS REMARQUES |
|----------|--------------------|---|-----|-----|--|
| 1 | 6CJ-81800-00 | STARTING MOTOR ASSY DEMARREUR ELECTRIQUE COMPLET | 1 | 1 | |
| 2 | 67F-81850-00 | .ARMATURE ASSY .INDUIT | 1 | 1 | |
| 3 | 67F-81810-00 | .STATOR ASSY .STATOR COMPLET | 1 | 1 | |
| 4 | 69J-81840-00 | .BRUSH HOLDER ASSY .SUPPORT DE CHARBON | 1 | 1 | |
| 5 | 69J-81801-00 | .BRUSH SET .CHARBON | 1 | 1 | |
| 6 | 67F-81813-00 | .SPRING, BRUSH .RESSORT, DE CHARBON | 4 | 4 | |
| 7 | 68F-81820-00 | .REAR BRACKET ASSY .SUPPORT ARRIERE COMPLET | 1 | 1 | |
| 8 | 67F-81808-00 | .PINION ASSY .PIGNON | 1 | 1 | |
| 9 | 67F-81857-00 | .PINION STOPPER SET .BUTEE PIGNON | 1 | 1 | |
| 10 | 67F-81807-00 | .GEAR ASSY, STARTING MOTOR .PIGNON, DEMARREUR ELECTRIQUE | 1 | 1 | |
| 11 | 67F-81832-00 | .CLUTCH, OVER RUN .EMBAYAGE, ROUE LIBRE | 1 | 1 | |
| 12 | 67F-81836-00 | .SHAFT, PINION .AXE, PIGNON | 1 | 1 | |
| 13 | 67F-81821-00 | .BRACKET, CENTER 1 .SUPPORT, CENTRE 1 | 1 | 1 | |
| 14 | 67F-81841-00 | .BEARING .ROULEMENT | 1 | 1 | |
| 15 | 67F-8183R-00 | .GASKET .JOINT | 1 | 1 | |
| 16 | 67F-81891-00 | .GEAR, RING .ROUE DENTEE | 1 | 1 | WITH 67F-8183R-00 WITH 67F-8183R-00 |
| 17 | 67F-81830-00 | .BRACKET, CENTER 2 .SUPPORT, CENTRE 2 | 1 | 1 | |
| 18 | 60V-8183T-00 | .GEAR, IDLER .PIGNON, INTERMEDIAIRE | 3 | 3 | |
| 19 | 67F-81809-00 | .WASHER KIT .JEU DE RONDELLES | 1 | 1 | |
| 20 | 60X-81842-00 | .COVER .COUVERCLE | 1 | 1 | |
| 21 | 6C5-81839-00 | .LEVER ASSY .LEVIER COMPLET | 1 | 1 | |
| 22 | 6C5-81941-00 | .STARTER RELAY ASSY .LANCEUR RELAIS (ENS.) | 1 | 1 | |
| 23 | 6C5-81869-00 | .COVER, DUST .COUVERCLE, POUSSIERE | 1 | 1 | |
| 24 | 6K7-81826-11 | .BOLT .BOULON | 2 | 2 | |
| 25 | 69J-81828-00 | .SCREW 2 .VIS 2 | 2 | 2 | |
| 26 | 67F-81846-00 | .SCREW .VIS | 2 | 2 | |

FIG. 20 BOTTOM COWLING 1

CAPOT INFERIEUR 1

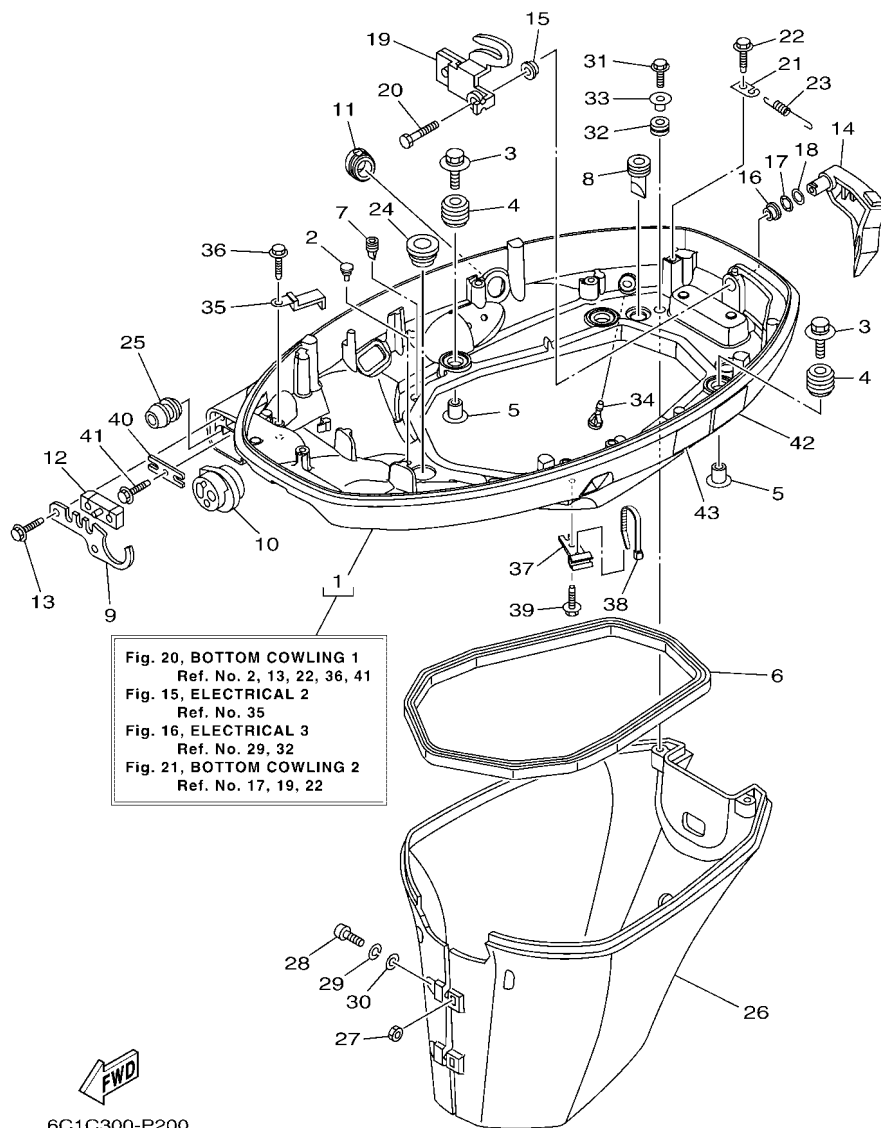


6C1C300-P200

| REF. NO. | PART NO. N° PIECES | DESCRIPTION DESCRIPTION | Q | U | | REMARKS REMARQUES |
|----------|--------------------|--|---|---|--|-------------------|
| 1 | 6CJ-42710-01-8D | BOTTOM COWLING ASSY ENS. EMBASE | 1 | 1 | | |
| 2 | 6H4-42748-00 | GROMMET PASSE-FIL | 3 | 3 | | |
| 3 | 90119-06M61 | BOLT, WITH WASHER BOULON, AVEC RONDELLE | 4 | 4 | | |
| 4 | 6BG-42748-00 | GROMMET PASSE-FIL | 4 | 4 | | |
| 5 | 90387-06M69 | COLLAR COLLERETTE | 4 | 4 | | |
| 6 | 62Y-42716-00 | RUBBER, SEAL 1 JOINT EN CAOUTCHOUC 1 | 1 | 1 | | |
| 7 | 65W-42717-00 | RUBBER, SEAL 2 JOINT EN CAOUTCHOUC 2 | 2 | 2 | | |
| 8 | 61A-42717-00 | RUBBER, SEAL 2 JOINT EN CAOUTCHOUC 2 | 2 | 2 | | |
| 9 | 6BG-42761-00 | STOPPER PLAQUETTE | 1 | 1 | | |
| 10 | 6CJ-42725-00 | GROMMET PASSE-FIL | 1 | 1 | | |
| 11 | 6CJ-42726-00 | GROMMET PASSE-FIL | 1 | 1 | | |
| 12 | 6BG-42727-00 | GROMMET PASSE-FIL | 1 | 1 | | |
| 13 | 90109-06M86 | BOLT BOULON | 2 | 2 | | |
| 14 | 6BG-42815-00-8D | LEVER, CLAMP LEVIER, PRESSE | 1 | 1 | | |
| 15 | 90386-12M37 | BUSH DOUILLE | 1 | 1 | | |
| 16 | 90386-12MA2 | BUSH DOUILLE | 1 | 1 | | |
| 17 | 90206-12052 | WASHER, WAVE RONDELLE, ONDULEE | 1 | 1 | | |
| 18 | 90201-12M07 | WASHER, PLATE RONDELLE, PLATE | 1 | 1 | | |
| 19 | 6BG-42816-00 | LEVER, CLAMP LEVIER, PRESSE | 1 | 1 | | |
| 20 | 97095-06014 | BOLT BOULON | 1 | 1 | | |
| 21 | 66T-43144-00 | HOOK, SPRING CROCHET | 1 | 1 | | |
| 22 | 90109-06M86 | BOLT BOULON | 1 | 1 | | |
| 23 | 90506-18023 | SPRING, TENSION RESSORT, TENSION | 1 | 1 | | |
| 24 | 68U-42727-00 | GROMMET PASSE-FIL | 1 | 1 | | |
| 25 | 6BG-24329-00 | SEAL JOINT | 1 | 1 | | |
| 26 | 6BG-42741-10-8D | APRON CAPOT LATERAL | 1 | 1 | | |
| 27 | 95380-06600 | NUT, HEXAGON ECROU | 2 | 2 | | |

FIG. 20 BOTTOM COWLING 1

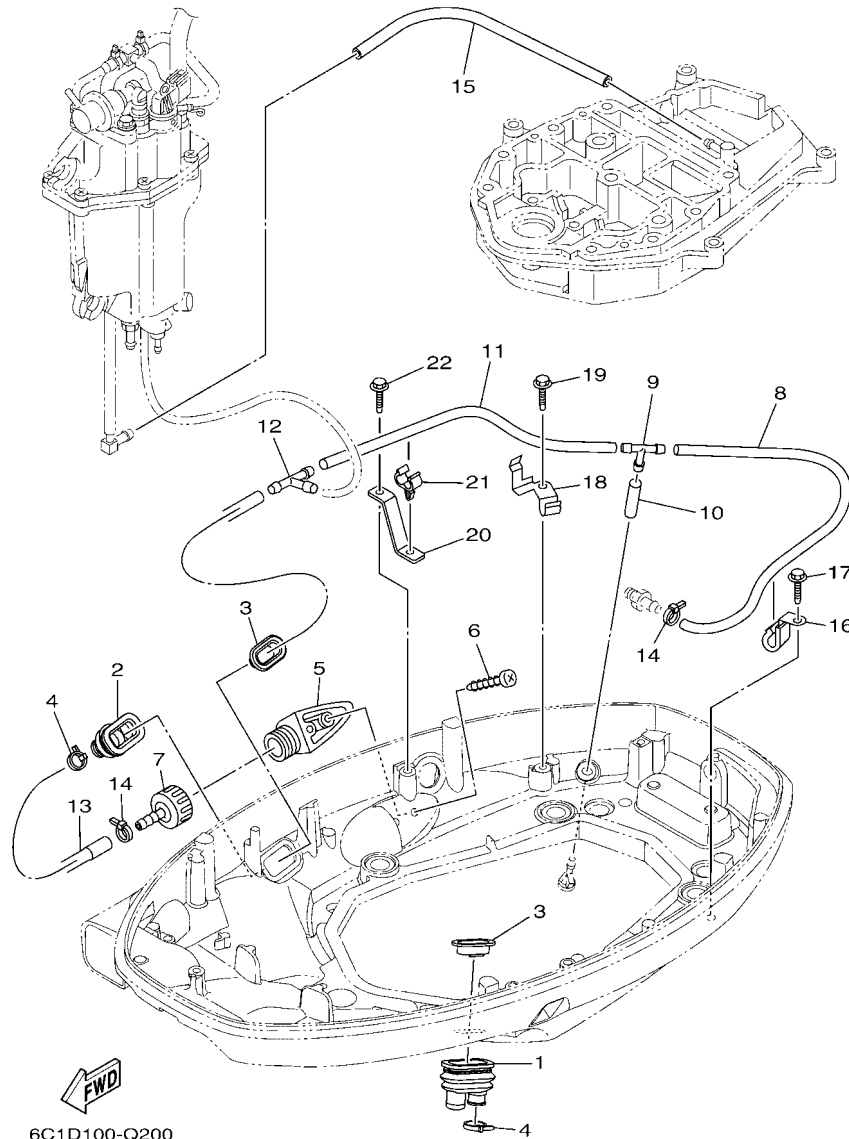
CAPOT INFERIEUR 1



| REF. NO. | PART NO. N° PIECES | DESCRIPTION DESCRIPTION | QTY | QTY | | | REMARKS REMARQUES |
|----------|--------------------|--|-----|-----|--|--|-------------------|
| 28 | 97880-06025 | SCREW, PAN HEAD VIS, TETE TRONCONIQUE | 2 | 2 | | | |
| 29 | 92990-06100 | WASHER, SPRING RONDELLE, GROWER | 2 | 2 | | | |
| 30 | 92990-06600 | WASHER, PLATE RONDELLE, PLATE | 2 | 2 | | | |
| 31 | 90109-06M80 | BOLT BOULON | 2 | 2 | | | |
| 32 | 90480-13M24 | GROMMET PASSE-FIL | 2 | 2 | | | |
| 33 | 90387-06M43 | COLLAR COLLERETTE | 2 | 2 | | | |
| 34 | 6BL-44391-00 | NIPPLE, HOSE RACCORD D'ESSENCE | 1 | 1 | | | |
| 35 | 90462-20005 | CLAMP BRIDE | 1 | 1 | | | |
| 36 | 90109-06M86 | BOLT BOULON | 1 | 1 | | | |
| 37 | 90464-09M49 | CLAMP BRIDE | 1 | 1 | | | |
| 38 | 90465-11M10 | CLAMP BRIDE | 1 | 1 | | | |
| 39 | 90109-06M86 | BOLT BOULON | 1 | 1 | | | |
| 40 | 6BG-48538-00 | CLAMP, CABLE 1 COLLIER | 1 | 1 | | | |
| 41 | 90109-06M86 | BOLT BOULON | 1 | 1 | | | |
| 42 | 6EE-42794-40 | LABEL, WARNING (GENERAL) ETIQUETTE, AVERTISSEMENT | 1 | 1 | | | |
| 43 | 6EE-42794-50 | LABEL, WARNING (GENERAL) ETIQUETTE, AVERTISSEMENT | 1 | 1 | | | |

FIG. 21 BOTTOM COWLING 2

CAPOT INFERIEUR 2

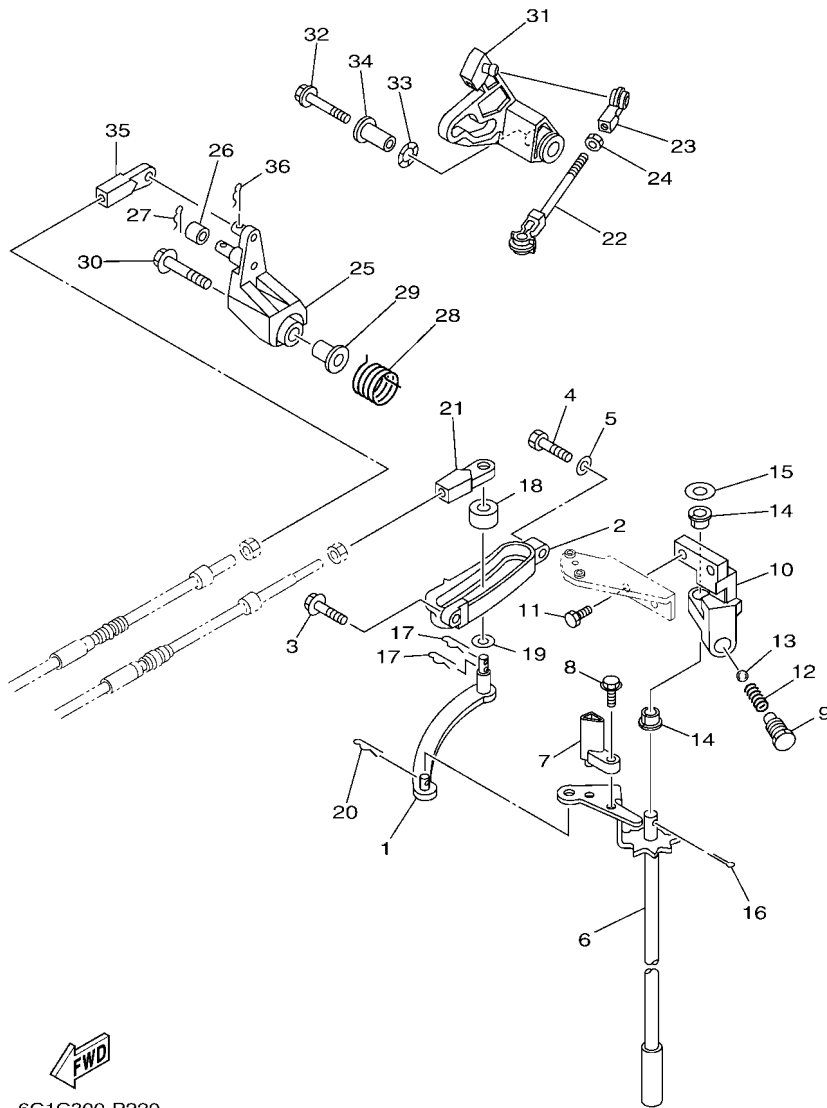


6C1D100-Q200

| REF. NO. | PART NO. N° PIECES | DESCRIPTION DESCRIPTION | Q | Q | | | REMARKS REMARQUES |
|----------|--------------------|-------------------------------------|---|---|--|--|-------------------|
| 1 | 6H1-42726-30 | GROMMET PASSE-FIL | 1 | 1 | | | |
| 2 | 6BG-42724-00 | GROMMET PASSE-FIL | 1 | 1 | | | |
| 3 | 6BG-42384-00 | SEAL, CAP JOINT, CAPUCHON | 2 | 2 | | | |
| 4 | 90465-11M10 | CLAMP BRIDE | 2 | 2 | | | |
| 5 | 6AW-12572-00 | ADAPTER ADAPTATEUR | 1 | 1 | | | |
| 6 | 97780-60520 | SCREW, TAPPING VIS, TETE BOMBEE | 2 | 2 | | | |
| 7 | 6R3-12580-00 | JOINT ASSY ARTICULER (ENS.) | 1 | 1 | | | |
| 8 | 90445-09036 | HOSE (L400) DURITE (L400) | 1 | 1 | | | |
| 9 | 688-24378-00 | PIPE, JOINT 3 DURITE RACCORDEMENT 3 | 1 | 1 | | | |
| 10 | 90445-09220 | HOSE (L30) DURITE (L30) | 1 | 1 | | | |
| 11 | 90445-096H2 | HOSE (L280) DURITE (L280) | 1 | 1 | | | |
| 12 | 688-24378-00 | PIPE, JOINT 3 DURITE RACCORDEMENT 3 | 1 | 1 | | | |
| 13 | 6BG-12481-00 | PIPE 1 DURITE 1 | 1 | 1 | | | |
| 14 | 90465-11M10 | CLAMP BRIDE | 2 | 2 | | | |
| 15 | 90445-09304 | HOSE (L310) DURITE (L310) | 1 | 1 | | | |
| 16 | 90462-08067 | CLAMP BRIDE | 1 | 1 | | | |
| 17 | 90109-06M86 | BOLT BOULON | 1 | 1 | | | |
| 18 | 6BG-24136-01 | CLAMP 2 COLLIER 2 | 1 | 1 | | | |
| 19 | 90109-06M86 | BOLT BOULON | 1 | 1 | | | |
| 20 | 6CJ-24135-00 | CLAMP 1 COLLIER 1 | 1 | 1 | | | |
| 21 | 90464-09130 | CLAMP BRIDE | 1 | 1 | | | |
| 22 | 90109-06M86 | BOLT BOULON | 1 | 1 | | | |

FIG. 22 CONTROL

COMMANDE

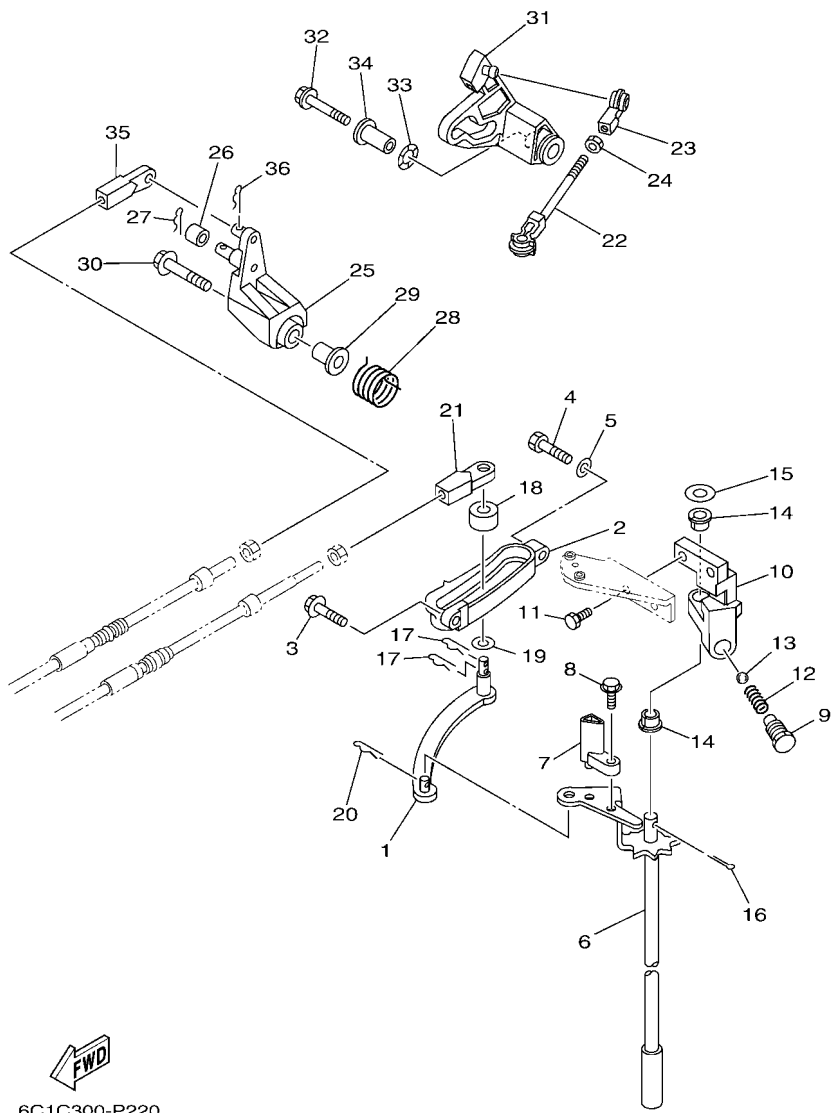


6C1C300-P220

| REF. NO. | PART NO. N° PIECES | DESCRIPTION DESCRIPTION | Q | Q | | REMARKS REMARQUES |
|----------|--------------------|--|---|---|--|----------------------|
| 1 | 69W-44121-00 | LEVER, SHIFT ROD LEVIER, TIGE D'INVERSION | 1 | 1 | | |
| 2 | 62Y-44117-01 | BRACKET SUPPORT | 1 | 1 | | |
| 3 | 97595-06520 | BOLT, WITH WASHER VIS HEXAGONAL AVC RONDELLE | 1 | 1 | | |
| 4 | 97095-06025 | BOLT BOULON | 1 | 1 | | |
| 5 | 92995-06600 | WASHER RONDELLE | 1 | 1 | | |
| 6 | 6C5-44120-02 | HANDLE GEAR SHIFT ASSY LEVIER D'EMBAYAGE | 1 | 1 | | L(20.7") L(20.7") |
| 7 | 6C5-44122-00 | BUSHING, SHIFT ROD LEVER DOUILLE, LEVIER D'EMBAYAGE | 1 | 1 | | |
| 8 | 97595-05514 | BOLT, WITH WASHER VIS HEXAGONAL AVC RONDELLE | 1 | 1 | | |
| 9 | 62Y-42715-01 | BUSHING COUSSINET | 1 | 1 | | |
| 10 | 62Y-44118-00-94 | BRACKET SUPPORT | 1 | 1 | | |
| 11 | 90101-06054 | BOLT BOULON | 2 | 2 | | |
| 12 | 90501-12082 | SPRING, COMPRESSION RESSORT, COMPRESSION | 1 | 1 | | |
| 13 | 93501-04M02 | BALL BILLE | 1 | 1 | | |
| 14 | 90386-90M90 | BUSH DOUILLE | 2 | 2 | | |
| 15 | 90201-10M20 | WASHER, PLATE RONDELLE, PLATE | 1 | 1 | | |
| 16 | 91490-20015 | PIN, COTTER GOUILLE | 1 | 1 | | |
| 17 | 90468-18008 | CLIP JONC | 2 | 2 | | |
| 18 | 688-44122-00 | BUSHING, SHIFT ROD LEVER DOUILLE, LEVIER D'EMBAYAGE | 1 | 1 | | |
| 19 | 90202-07M07 | WASHER, PLATE RONDELLE, PLATE | 1 | 1 | | |
| 20 | 90468-18008 | CLIP JONC | 1 | 1 | | |
| 21 | 69W-48344-00 | CABLE END, REMOTE CONTROL CHAPE CABLE | 1 | 1 | | |
| 22 | 688-41211-01 | LINK, ACCEL. BIELLETTTE, ACCELERATION | 1 | 1 | | |
| 23 | 6H4-41237-00 | JOINT, LINK RACCORD | 1 | 1 | | |
| 24 | 95380-05700 | NUT ECROU | 1 | 1 | | |
| 25 | 62Y-42154-00 | LEVER, THROTTLE CONTROL LEVIER DE COMMANDE D'AVANCE | 1 | 1 | | |
| 26 | 6C5-42171-00 | BUSHING COUSSINET | 1 | 1 | | |
| 27 | 91490-16010 | PIN, COTTER GOUILLE | 1 | 1 | | |

FIG. 22 CONTROL

COMMANDE

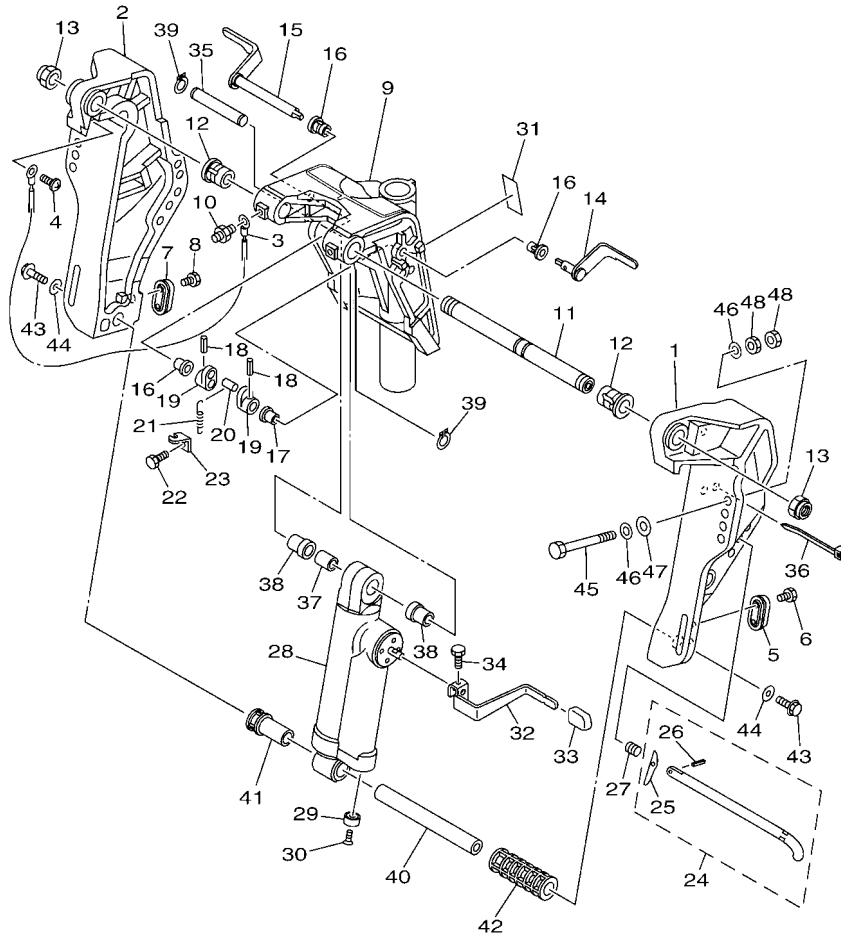



6C1C300-P220

| REF. NO. | PART NO. N° PIECES | DESCRIPTION DESCRIPTION | Q | Q | | REMARKS REMARQUES |
|----------|--------------------|---|---|---|--|-------------------|
| 28 | 62Y-44135-00 | SPRING RESSORT | 1 | 1 | | |
| 29 | 90387-06M45 | COLLAR COLLERETTE | 1 | 1 | | |
| 30 | 90119-06126 | BOLT, WITH WASHER BOULON, AVEC RONDELLE | 1 | 1 | | |
| 31 | 6C5-42335-00 | LEVER, ACCEL. CONTROL LEVIER, ACCELERATION | 1 | 1 | | |
| 32 | 95895-06035 | BOLT, FLANGE BOULON | 1 | 1 | | |
| 33 | 90206-10M04 | WASHER, WAVE RONDELLE, ONDULEE | 1 | 1 | | |
| 34 | 90387-06M82 | COLLAR COLLERETTE | 1 | 1 | | |
| 35 | 69W-48344-00 | CABLE END, REMOTE CONTROL CHAPE CABLE | 1 | 1 | | |
| 36 | 90468-18008 | CLIP JONC | 1 | 1 | | |
| <hr/> | | | | | | |
| <hr/> | | | | | | |
| <hr/> | | | | | | |
| <hr/> | | | | | | |
| <hr/> | | | | | | |
| <hr/> | | | | | | |
| <hr/> | | | | | | |
| <hr/> | | | | | | |
| <hr/> | | | | | | |

FIG. 23 BRACKET 1

SUPPORT 1

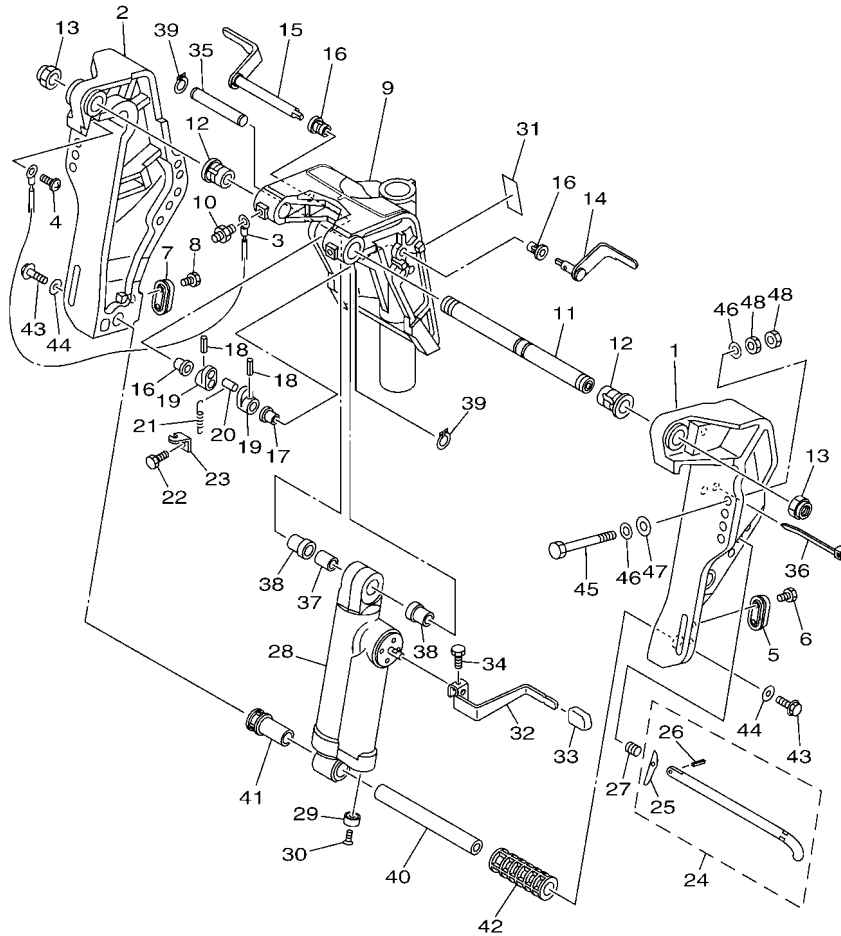


6C17300-K210

| REF. NO. | PART NO. N° PIECES | DESCRIPTION DESCRIPTION | QU | LT | REMARKS REMARQUES |
|----------|--------------------|---|----|----|-------------------|
| 1 | 6C1-43111-00-8D | BRACKET, CLAMP 1 PRESSE 1 | 1 | | |
| 2 | 6C1-43112-00-8D | BRACKET, CLAMP 2 PRESSE 2 | 1 | | |
| 3 | 6E5-82148-00 | WIRE, LEAD 4 FIL 4 | 1 | | |
| 4 | 97885-06008 | SCREW, PAN HEAD VIS, A ENCOCHE | 1 | | |
| 5 | 65W-45251-00 | ANODE ANODE | 1 | | |
| 6 | 90101-06020 | BOLT BOULON | 2 | | |
| 7 | 65W-45251-00 | ANODE ANODE | 1 | | |
| 8 | 90101-06020 | BOLT BOULON | 2 | | |
| 9 | 6C5-43311-01-8D | BRACKET, SWIVEL 1 SUPPORT, PIVOT 1 | 1 | | |
| 10 | 93700-06M03 | NIPPLE, GREASE PION | 3 | | |
| 11 | 63D-43131-01 | BOLT, CLAMP BRACKET BOULON, PRESSE | 1 | | |
| 12 | 90386-22MA4 | BUSH DOUILLE | 2 | | |
| 13 | 90185-22M11 | NUT, SELF-LOCKING ECROU, AUTO-BLOQUANT | 2 | | |
| 14 | 6C5-43181-00 | LEVER, TILT STOP 1 LEVIER VERROUILLAGE RELEVAGE 1 | 1 | | |
| 15 | 6C5-43185-00 | LEVER, TILT STOP 2 LEVIER VERROUILLAGE RELEVAGE 2 | 1 | | |
| 16 | 90386-10M16 | BUSH DOUILLE | 3 | | |
| 17 | 90386-10025 | BUSH DOUILLE | 1 | | |
| 18 | 91690-30020 | PIN, SPRING AGRAFFE | 2 | | |
| 19 | 6G5-43148-00 | COLLAR, DISTANCE ENTRETOISE | 2 | | |
| 20 | 90249-06M19 | PIN GOUPILLE | 1 | | |
| 21 | 90506-14M24 | SPRING, TENSION RESSORT, TENSION | 1 | | |
| 22 | 97095-06010 | BOLT BOULON | 1 | | |
| 23 | 6G5-43144-00 | HOOK, SPRING CROCHET | 1 | | |
| 24 | 688-43160-01 | TILT ROD ASSY BROCHE D'INCLINAISON (ENS.) | 1 | | |
| 25 | 688-43165-00 | .PLATE, TILT LOCK .TAQUET, BROCHE INCLINAISON | 1 | | |
| 26 | 91690-30012 | .PIN, SPRING .AGRAFFE | 1 | | |
| 27 | 90502-16M02 | SPRING, CONICAL RESSORT, CONIQUE | 1 | | |

FIG. 23 BRACKET 1

SUPPORT 1

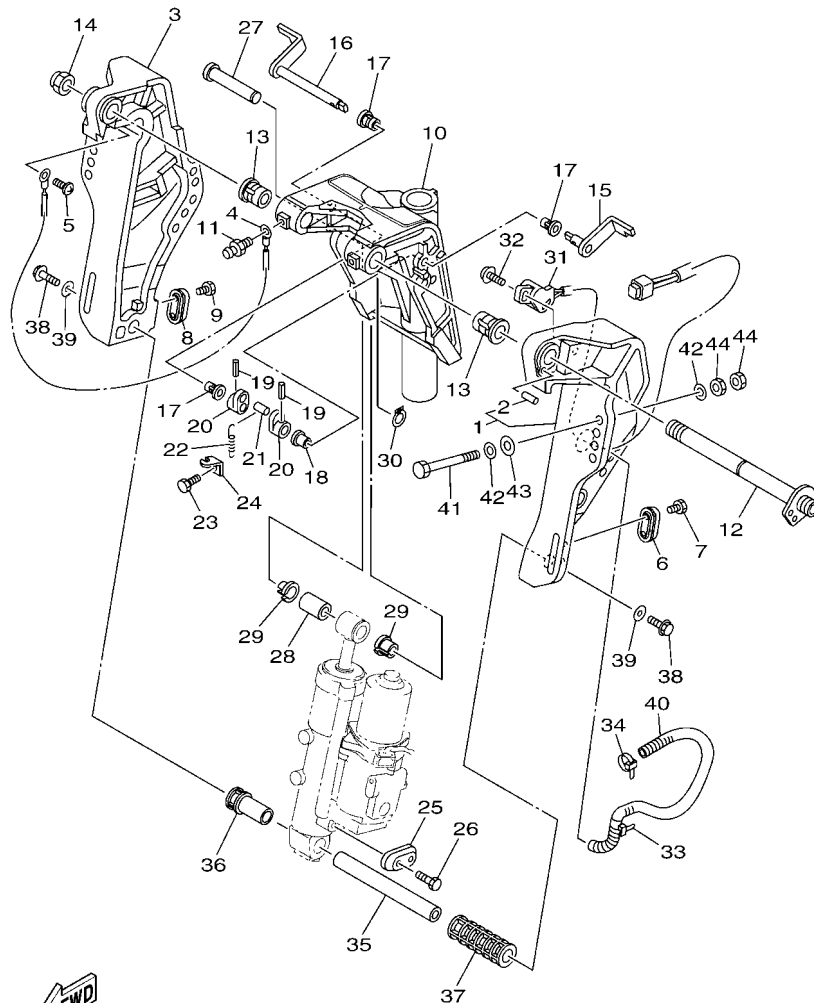


6C17300-K210

| REF. NO. | PART NO. N° PIECES | DESCRIPTION DESCRIPTION | QU | U | REMARKS REMARQUES |
|----------|--------------------|--|----|---|-------------------|
| 28 | 64J-43107-02-8D | SHOCK ABSORBER SUB-ASSY AMORTISSEUR (ENS.) | 1 | | |
| 29 | 663-45251-00 | ANODE ANODE | 1 | | |
| 30 | 90152-06M01 | SCREW, COUNTERSUNK VIS, TETE NOYEE | 1 | | |
| 31 | 63D-43691-00 | INDICATOR, TILT ETIQUETTE, RELEVAGE | 1 | | |
| 32 | 6C1-43631-00 | LEVER, TILT LEVIER, INCLINAISON | 1 | | |
| 33 | 682-43318-01 | COVER CAPUCHON | 1 | | |
| 34 | 97095-06010 | BOLT BOULON | 1 | | |
| 35 | 69D-43126-01 | PIN, UPPER SHOCK MOUNT AXE, SUPERIEUR AMORTISSEUR | 1 | | |
| 36 | 90464-76001 | CLAMP BRIDE | 1 | | |
| 37 | 90387-16003 | COLLAR COLLERETTE | 1 | | |
| 38 | 90387-16004 | COLLAR COLLERETTE | 2 | | |
| 39 | 93410-16097 | CIRCLIP CLIPS | 2 | | |
| 40 | 6CJ-43818-00 | PIN, LOWER SHOCK MOUNT AXE, INFERIEUR AMORTISSEUR | 1 | | |
| 41 | 6C5-43833-00 | PIPE TUYAU | 1 | | |
| 42 | 6C5-43834-00 | PIPE TUYAU | 1 | | |
| 43 | 90119-10054 | BOLT, WITH WASHER BOULON, AVEC RONDELLE | 2 | | |
| 44 | 90201-10060 | WASHER, PLATE RONDELLE, PLATE | 2 | | |
| 45 | 90101-12M65 | BOLT BOULON | 4 | | |
| 46 | 90201-12062 | WASHER, PLATE RONDELLE, PLATE | 8 | | |
| 47 | 90201-12426 | WASHER, PLATE RONDELLE, PLATE | 4 | | |
| 48 | 95380-12600 | NUT ECROU | 8 | | |

FIG. 24 BRACKET 2

SUPPORT 2

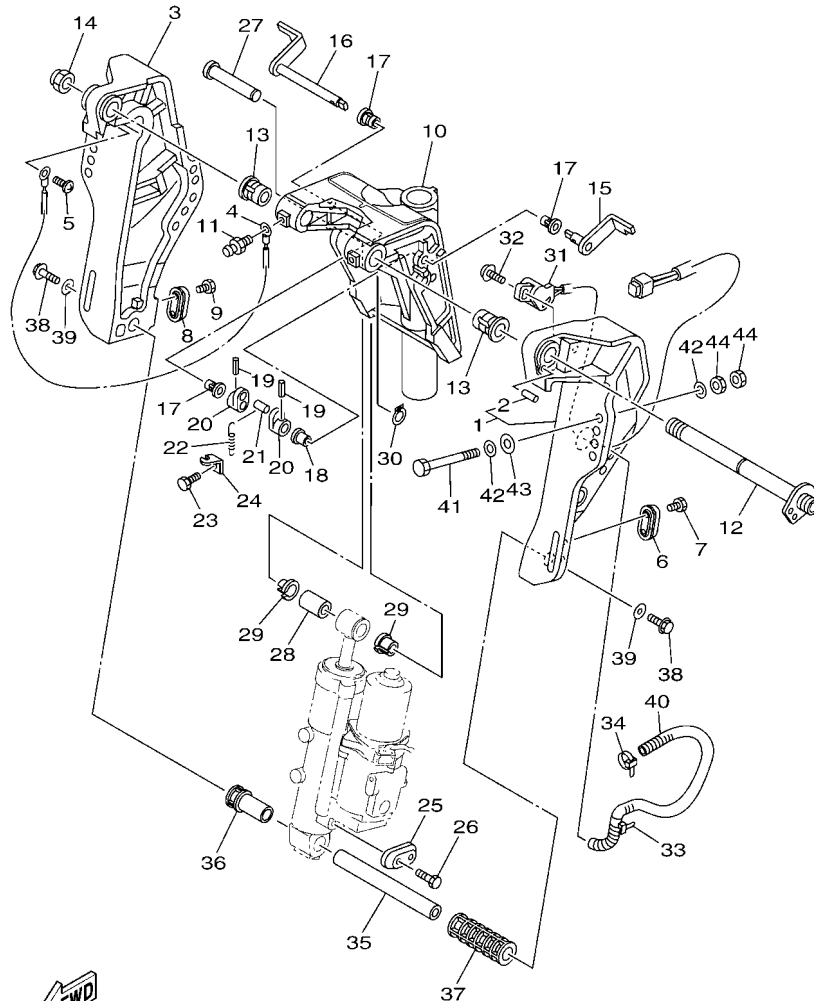


6C2D100-Q220

| REF. NO. | PART NO. N° PIECES | DESCRIPTION DESCRIPTION | QU | QU | REMARKS REMARQUES |
|----------|--------------------|--|----|----|----------------------------------|
| 1 | 6C5-43111-10-8D | BRACKET, CLAMP 1 PRESSE 1 | | 1 | FOR TILT LIMIT FOR TILT LIMIT |
| 2 | 93606-19002 | .PIN, DOWEL .GOUPILLE | | 1 | |
| 3 | 6C5-43112-01-8D | BRACKET, CLAMP 2 PRESSE 2 | | 1 | |
| 4 | 6E5-82148-00 | WIRE, LEAD 4 FIL 4 | | 1 | |
| 5 | 97885-06008 | SCREW, PAN HEAD VIS, A ENCOCHE | | 1 | |
| 6 | 65W-45251-00 | ANODE ANODE | | 1 | |
| 7 | 90101-06020 | BOLT BOULON | | 2 | |
| 8 | 65W-45251-00 | ANODE ANODE | | 1 | |
| 9 | 90101-06020 | BOLT BOULON | | 2 | |
| 10 | 6C5-43311-01-8D | BRACKET, SWIVEL 1 SUPPORT, PIVOT 1 | | 1 | |
| 11 | 93700-06M03 | NIPPLÉ, GREASE PION | | 3 | |
| 12 | 6C5-43131-00 | BOLT, CLAMP BRACKET BOULON, PRESSE | | 1 | FOR TILT LIMIT FOR TILT LIMIT |
| 13 | 90386-22MA4 | BUSH DOUILLE | | 2 | |
| 14 | 90185-22M11 | NUT, SELF-LOCKING ECROU,AUTO-BLOQUANT | | 1 | FOR TILT LIMIT FOR TILT LIMIT |
| 15 | 6C5-43181-00 | LEVER, TILT STOP 1 LEVIER VERROUILLAGE RELEVAGE 1 | | 1 | |
| 16 | 6C5-43185-00 | LEVER, TILT STOP 2 LEVIER VERROUILLAGE RELEVAGE 2 | | 1 | |
| 17 | 90386-10M16 | BUSH DOUILLE | | 3 | |
| 18 | 90386-10025 | BUSH DOUILLE | | 1 | |
| 19 | 91690-30020 | PIN, SPRING AGRAFFE | | 2 | |
| 20 | 6G5-43148-00 | COLLAR, DISTANCE ENTRETOISE | | 2 | |
| 21 | 90249-06M19 | PIN GOUPILLE | | 1 | |
| 22 | 90506-14M24 | SPRING, TENSION RESSORT, TENSION | | 1 | |
| 23 | 97095-06010 | BOLT BOULON | | 1 | |
| 24 | 6G5-43144-00 | HOOK, SPRING CROCHET | | 1 | |
| 25 | 65W-45251-00 | ANODE ANODE | | 1 | |
| 26 | 90101-06020 | BOLT BOULON | | 2 | |
| 27 | 6E5-43126-02 | PIN, UPPER SHOCK MOUNT AXE, SUPERIEUR AMORTISSEUR | | 1 | |

FIG. 24 BRACKET 2

SUPPORT 2

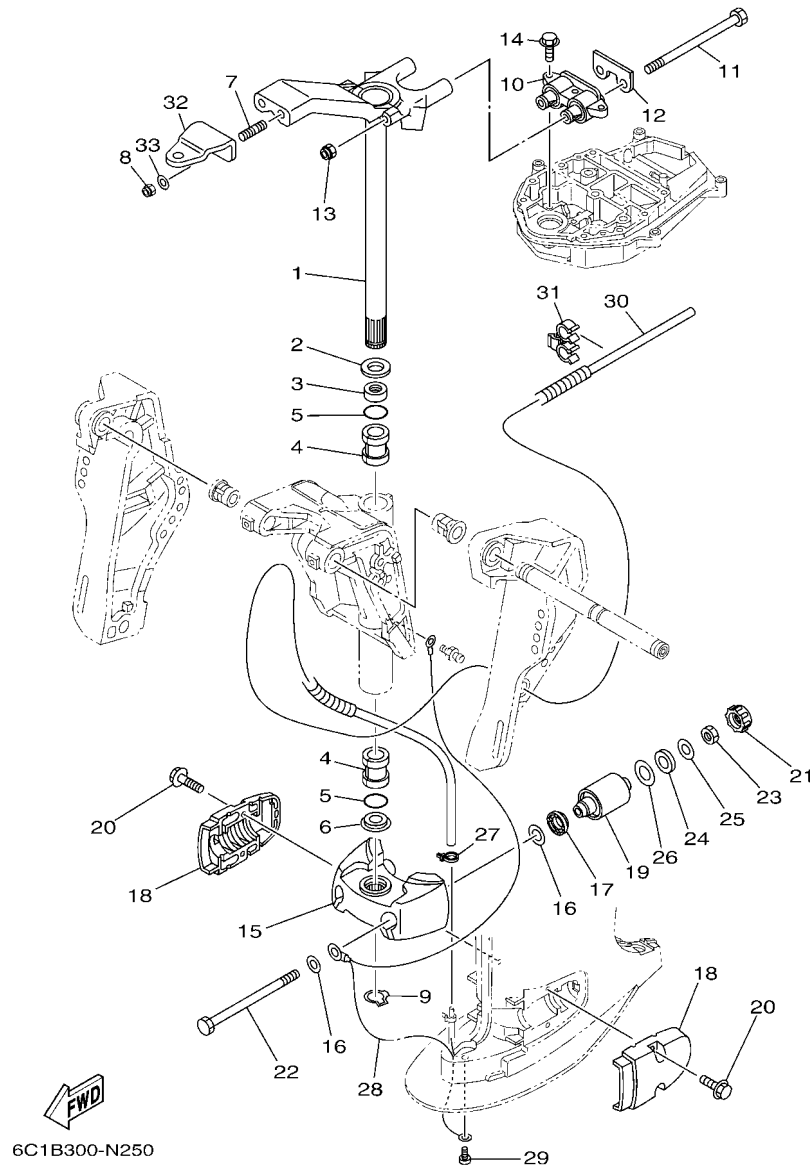


6C2D100-Q220

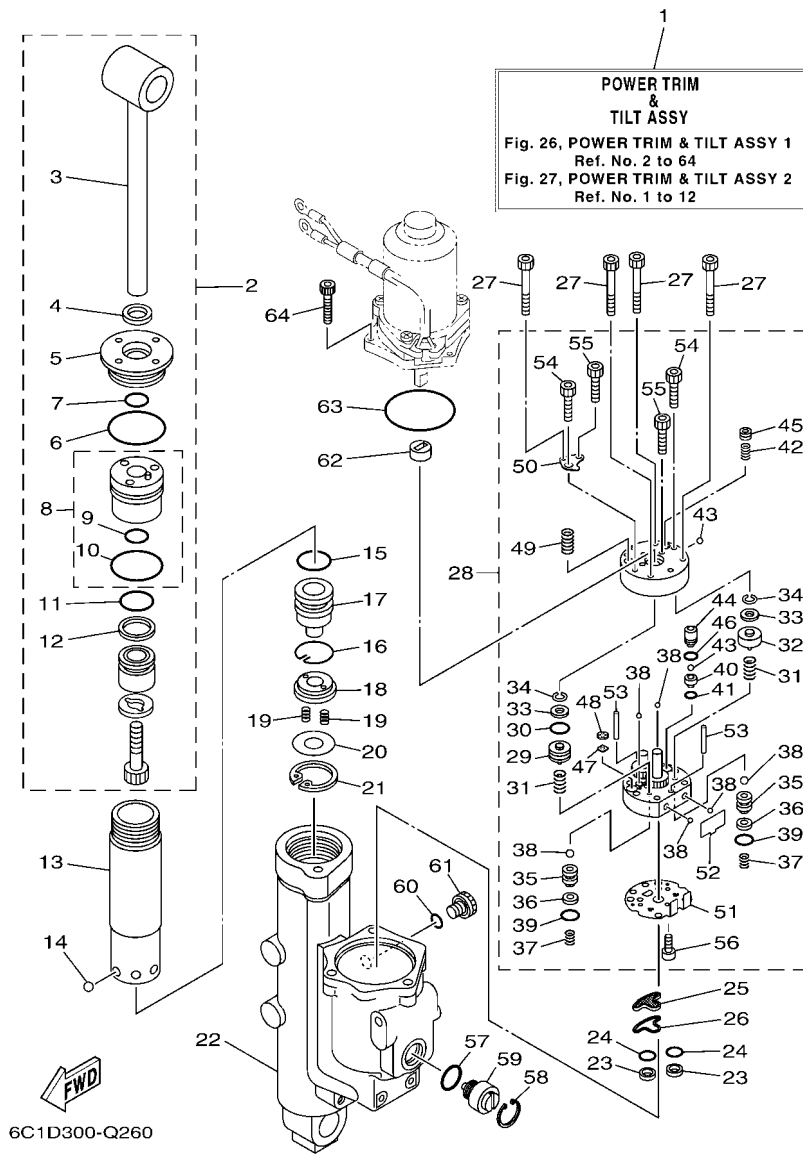
| REF. NO. | PART NO. N° PIECES | DESCRIPTION DESCRIPTION | ED | EU | REMARKS REMARQUES |
|----------|--------------------|--|----|----|-------------------|
| 28 | 90386-18M92 | BUSH DOUILLE | | 1 | |
| 29 | 90386-18M35 | BUSH DOUILLE | | 2 | |
| 30 | 93410-18M05 | CIRCLIP CLIPS | | 1 | |
| 31 | 63D-83672-11 | TRIM SENDER INCLINER RACCORD | | 1 | |
| 32 | 97985-06216 | SCREW, WITH WASHER VIS, AVEC RONDELLE | | 2 | |
| 33 | 90464-76001 | CLAMP BRIDE | | 1 | |
| 34 | 90465-11M10 | CLAMP BRIDE | | 1 | |
| 35 | 6CJ-43818-00 | PIN, LOWER SHOCK MOUNT AXE, INFERIEUR AMORTISSEUR | | 1 | |
| 36 | 6C5-43833-00 | PIPE TUYAU | | 1 | |
| 37 | 6C5-43834-00 | PIPE TUYAU | | 1 | |
| 38 | 90119-10054 | BOLT, WITH WASHER BOULON, AVEC RONDELLE | | 2 | |
| 39 | 90201-10060 | WASHER, PLATE RONDELLE, PLATE | | 2 | |
| 40 | 90447-19009 | TUBE DURITE | | 1 | |
| 41 | 90101-12M65 | BOLT BOULON | | 4 | |
| 42 | 90201-12062 | WASHER, PLATE RONDELLE, PLATE | | 8 | |
| 43 | 90201-12426 | WASHER, PLATE RONDELLE, PLATE | | 4 | |
| 44 | 95380-12600 | NUT ECROU | | 8 | |

FIG. 25 BRACKET 3

SUPPORT 3



| REF. NO. | PART NO. N° PIECES | DESCRIPTION DESCRIPTION | Q | Q | | | REMARKS REMARQUES |
|----------|--------------------|---|---|---|--|--|----------------------|
| 1 | 69W-42510-01-8D | STEERING BRACKET ASSY DIRECTION SUPPORT (ENS.) | 1 | 1 | | | |
| 2 | 90201-30M00 | WASHER, PLATE RONDELLE, PLATE | 1 | 1 | | | |
| 3 | 90386-30M78 | BUSH DOUILLE | 1 | 1 | | | |
| 4 | 90386-30M77 | BUSH DOUILLE | 2 | 2 | | | |
| 5 | 93210-29M94 | O-RING JOINT TORIQUE | 2 | 2 | | | |
| 6 | 90386-30M60 | BUSH DOUILLE | 1 | 1 | | | |
| 7 | 90116-10063 | BOLT, STUD GOUJON | 2 | 2 | | | |
| 8 | 90185-10027 | NUT, SELF-LOCKING ECROU,AUTO-BLOQUANT | 2 | 2 | | | |
| 9 | 93410-28M06 | CIRCLIP CLIPS | 1 | 1 | | | |
| 10 | 69W-44514-00 | MOUNT DAMPER, UPPER SIDE SILENT-BLOC, SUPERIEUR LATERAL | 1 | 1 | | | L(20.7") L(20.7") |
| 11 | 90109-08229 | BOLT BOULON | 2 | 2 | | | |
| 12 | 69W-44526-01 | PLATE PLAQUE | 1 | 1 | | | |
| 13 | 90185-08018 | NUT, SELF-LOCKING ECROU,AUTO-BLOQUANT | 2 | 2 | | | |
| 14 | 97575-08530 | BOLT, WITH WASHER VIS HEXAGONAL AVC RONDELLE | 3 | 3 | | | |
| 15 | 6C5-44551-00-8D | HOUSING, LOWER MOUNT RUBBER 1 BOITIER, SILENT-BLOC INFERIEUR | 1 | 1 | | | |
| 16 | 90201-12M16 | WASHER, PLATE RONDELLE, PLATE | 4 | 4 | | | |
| 17 | 6C5-43885-00 | GROMMET PASSE-FIL | 2 | 2 | | | |
| 18 | 6C5-44552-00-8D | HOUSING, LOWER MOUNT RUBBER 2 BOITIER, SILENT-BLOC INFERIEUR | 2 | 2 | | | |
| 19 | 69W-44555-00 | MOUNT DAMPER, LOWER SIDE SILENT-BLOC, INFERIEUR LATERAL | 2 | 2 | | | |
| 20 | 97575-08530 | BOLT, WITH WASHER VIS HEXAGONAL AVC RONDELLE | 4 | 4 | | | |
| 21 | 6C5-44575-00 | DAMPER, LOWER MOUNT RUBBER SILENT-BLOC, INFERIEUR | 2 | 2 | | | |
| 22 | 90109-12MA3 | BOLT BOULON | 2 | 2 | | | |
| 23 | 95380-12700 | NUT ECROU | 2 | 2 | | | |
| 24 | 90202-21100 | WASHER, PLATE RONDELLE, PLATE | 2 | 2 | | | |
| 25 | 90201-13M19 | WASHER, PLATE RONDELLE, PLATE | 2 | 2 | | | |
| 26 | 90201-22M05 | WASHER, PLATE RONDELLE, PLATE | 2 | 2 | | | |
| 27 | 90465-11M10 | CLAMP BRIDE | 1 | 1 | | | |



6C1D300-Q260

FIG. 26 POWER TRIM & TILT ASSY 1

PUISSANCE PARER ET INCLINER 1

| REF. NO. | PART NO. N° PIECES | DESCRIPTION DESCRIPTION | QU | QU | REMARKS REMARQUES |
|----------|--------------------|---|----|----|-------------------|
| 1 | 6C5-43800-11 | POWER TRIM & TILT ASSY PUISSANCE PARER ET INCLINER (E) | | 1 | |
| 2 | 6CJ-43810-10 | TILT PISTON SUB ASSY INCLINER PISTON AUXILIAIRE(ENS) | | 1 | |
| 3 | 6CJ-43801-10 | .ROD .TIGE | | 1 | |
| 4 | 62Y-43822-00 | .SEAL, TRIM DUST .JOINT | | 1 | |
| 5 | 6CJ-43821-10 | .SCREW, TRIM CYLINDER END .VIS | | 1 | |
| 6 | 93210-49001 | .O-RING .JOINT TORIQUE | | 1 | |
| 7 | 6CJ-43863-00 | .O-RING .JOINT TORIQUE | | 1 | |
| 8 | 6CJ-4380R-10 | .CYLINDER END SUB ASSY .CYLINDRE RACCORD (ENS.) | | 1 | |
| 9 | 6CJ-43863-00 | .O-RING .JOINT TORIQUE | | 1 | |
| 10 | 93210-44006 | .O-RING .JOINT TORIQUE | | 1 | |
| 11 | 6C5-43861-00 | .O-RING .JOINT TORIQUE | | 1 | |
| 12 | 6C5-43871-00 | .RING, BACK UP .SEGMENT | | 1 | |
| 13 | 6CJ-22471-10 | CYLINDER, SHOCK ABSORBER CYLINDRE, AMORTISSEUR | | 1 | |
| 14 | 93503-16003 | BALL BILLES | | 6 | |
| 15 | 6C5-43861-00 | O-RING JOINT TORIQUE | | 1 | |
| 16 | 6C5-43875-00 | RING, SNAP RESSORT | | 1 | |
| 17 | 6CJ-4381B-10 | FREE PISTON SUB ASSY PISTON AUXILIAIRE (ENS.) | | 1 | |
| 18 | 6C5-43899-00 | PLATE STOPPER PLAQUETTE | | 1 | |
| 19 | 62X-4384H-00 | SPRING RESSORT | | 2 | |
| 20 | 6C5-22435-00 | PLATE, VALVE 2 PLAQUE, CLAPET 2 | | 1 | |
| 21 | 99009-32500 | CIRCLIP CIRCLIP | | 1 | |
| 22 | 6C5-4380K-10 | CYLINDER, TILT SUB ASSY CYLINDRE | | 1 | |
| 23 | 6C5-43817-10 | FILTER 2 FILTRE 2 | | 2 | |
| 24 | 69J-4389J-00 | O-RING JOINT TORIQUE | | 2 | |
| 25 | 6C5-43816-00 | FILTER 1 FILTRE 1 | | 1 | |
| 26 | 6C5-4380G-00 | PLATE PLAQUE | | 1 | |
| 27 | 91318-05045 | BOLT BOULON | | 4 | |

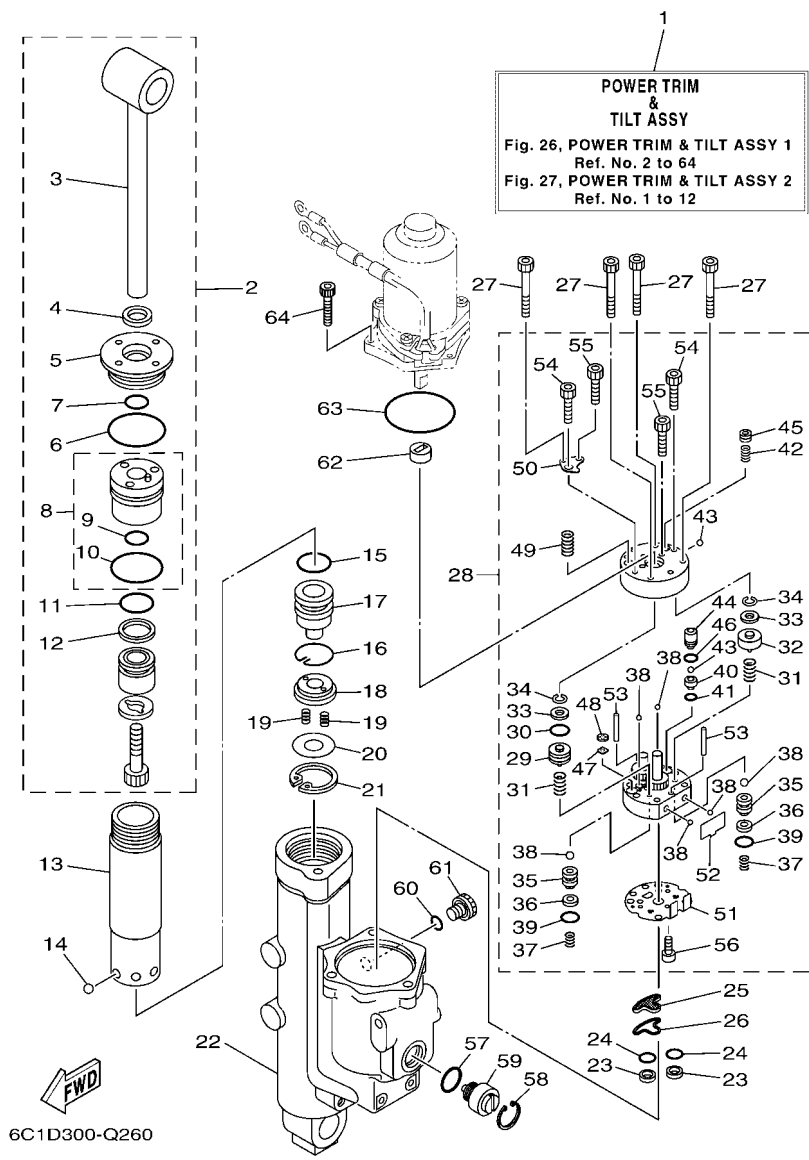
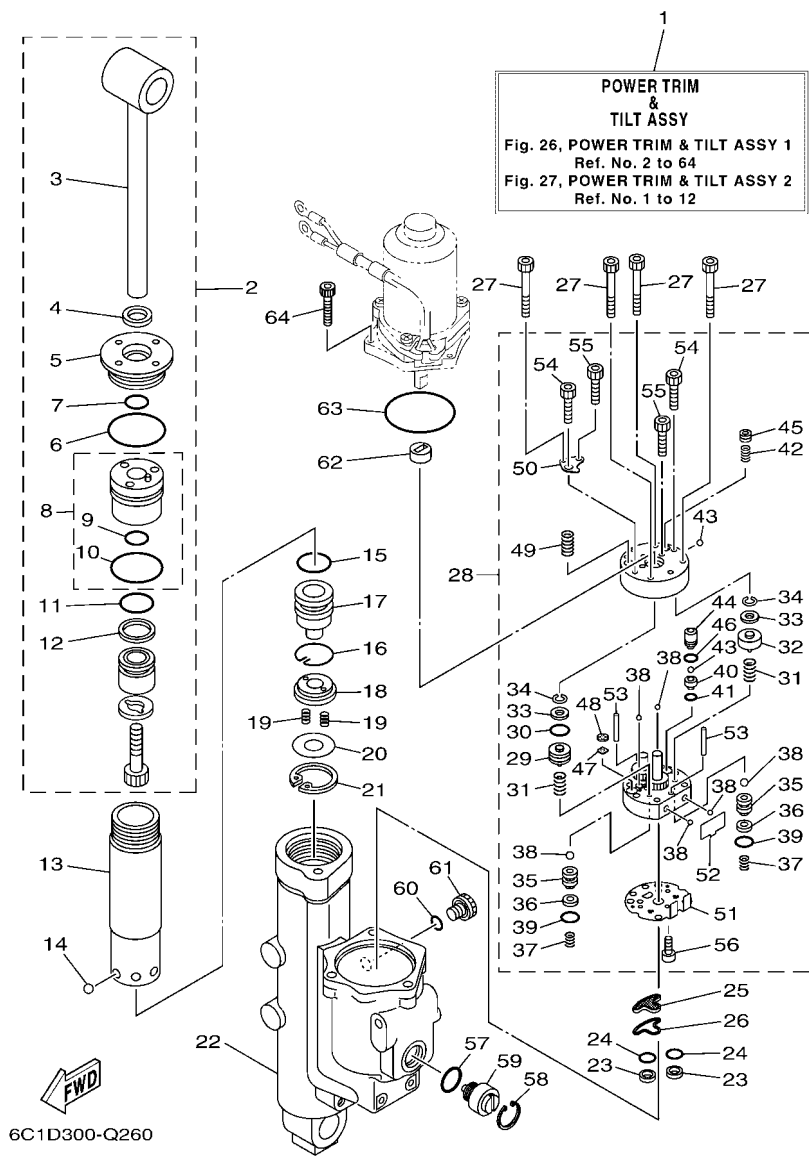


FIG. 26 POWER TRIM & TILT ASSY 1

PUISSANCE PARER ET INCLINER 1

| REF. NO. | PART NO. N° PIECES | DESCRIPTION DESCRIPTION | EQ | QU | REMARKS REMARQUES |
|----------|--------------------|---|----|----|-------------------|
| 28 | 6C5-43830-10 | GEAR PUMP ASSY POMPE A PIGNON (ENS.) | | 1 | |
| 29 | 6D8-43841-00 | .PISTON, SHUTTLE .PISTON | | 1 | |
| 30 | 6H1-43883-00 | .O-RING .JOINT TORIQUE | | 1 | |
| 31 | 69J-43894-00 | .SPRING, SHUTTLE RETURN .RESSORT | | 2 | |
| 32 | 6D8-4384M-00 | .PISTON, SHUTTLE 2 .PISTON 2 | | 1 | |
| 33 | 69A-4384F-00 | .SEAL, MAIN VALVE .JOINT | | 2 | |
| 34 | 99002-03600 | .CIRCLIP .CIRCLIP | | 2 | |
| 35 | 6EK-4382E-00 | .ADAPTOR 2 .ADAPTEUR 2 | | 2 | |
| 36 | 6C6-4387G-00 | .WASHER .RONDELLE | | 2 | |
| 37 | 6C6-43853-00 | .SPRING, MAIN VALVE .RESSORT | | 2 | |
| 38 | 93505-32038 | .BALL .BILLE | | 6 | |
| 39 | 69J-4389J-00 | .O-RING .JOINT TORIQUE | | 2 | |
| 40 | 6D8-43851-00 | .SEAT, RELIEF VALVE .SIEGE | | 1 | |
| 41 | 93210-064A5 | .O-RING .JOINT TORIQUE | | 1 | |
| 42 | 6C5-43855-10 | .SPRING, UP RELIEF .RESSORT | | 1 | |
| 43 | 93501-08001 | .BALL .BILLE | | 2 | |
| 44 | 6D8-43844-00 | .PIN, VALVE SUPPORT .GOUPILLE | | 1 | |
| 45 | 6D8-43843-00 | .SCREW, VALVE LOCK .VIS | | 1 | |
| 46 | 93210-04N51 | .O-RING .JOINT TORIQUE | | 1 | |
| 47 | 6H1-4384G-11 | .SEAL, RELIEF VALVE .JOINT | | 1 | |
| 48 | 6H1-43844-10 | .PIN, VALVE SUPPORT .GOUPILLE | | 1 | |
| 49 | 6C5-43856-10 | .SPRING, DOWN RELIEF .RESSORT | | 1 | |
| 50 | 6D8-4382L-00 | .CAP, RELIEF VALVE .CAPUCHON | | 1 | |
| 51 | 6C5-43895-00 | .SEAT, RELIEF VALVE .SIEGE | | 1 | |
| 52 | 6C5-43854-00 | .SPRING, MANUAL RELEASE .RESSORT | | 1 | |
| 53 | 93604-26256 | .PIN, DOWEL .CLAVETTE | | 2 | |
| 54 | 91318-05030 | .BOLT .BOULON | | 2 | |



6C1D300-Q260

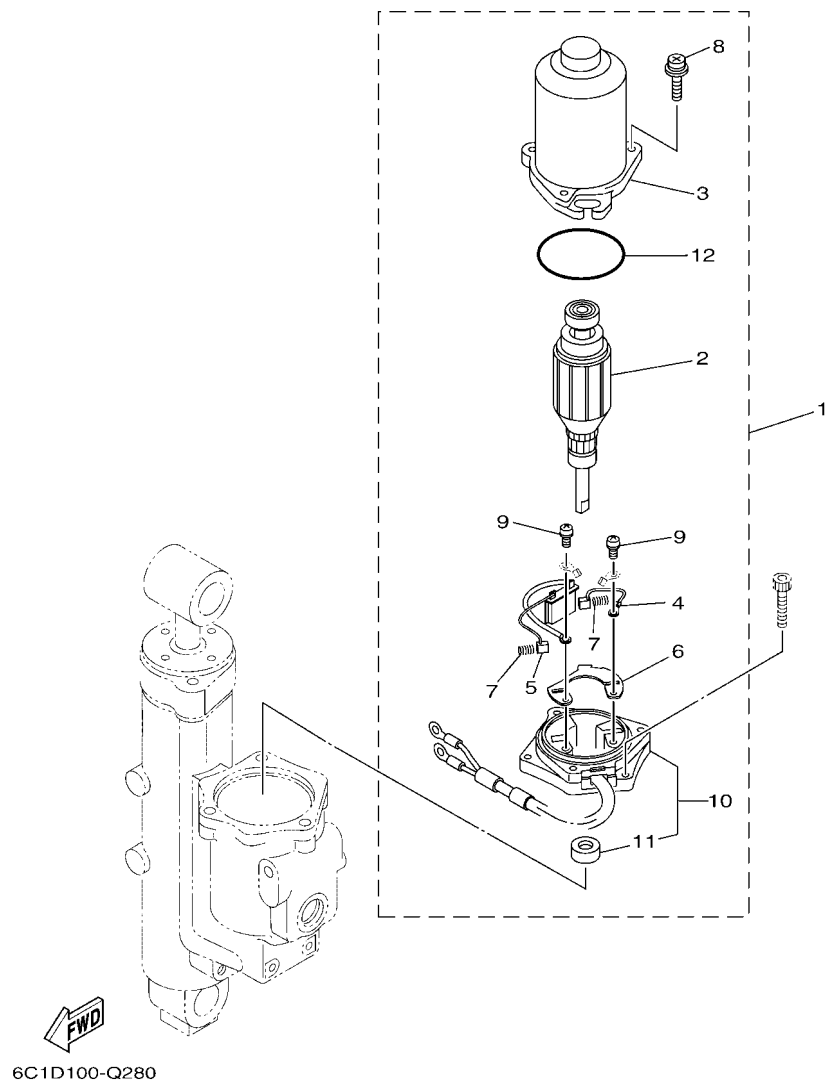
FIG. 26 POWER TRIM & TILT ASSY 1

PUISSANCE PARER ET INCLINER 1

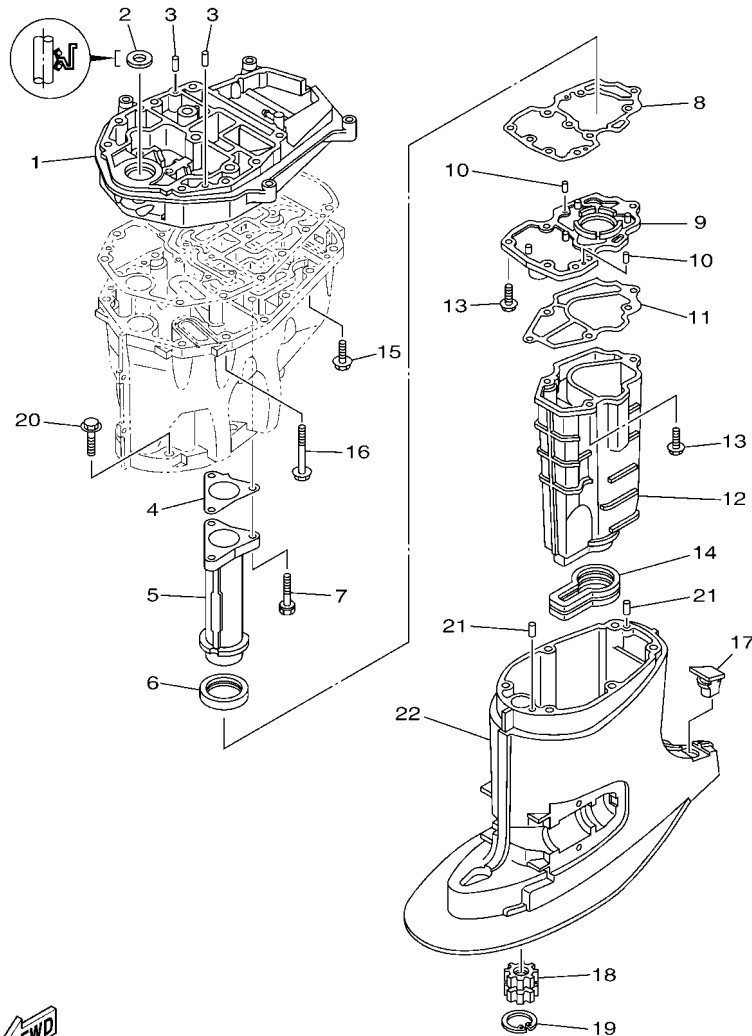
| REF. NO. | PART NO. N° PIECES | DESCRIPTION DESCRIPTION | ED | ET | REMARKS REMARQUES |
|----------|--------------------|------------------------------|----|----|-------------------|
| 55 | 91318-03025 | .BOLT .BOULON | | 2 | |
| 56 | 91318-03005 | .BOLT .BOULON | | 1 | |
| 57 | 6D8-43863-00 | O-RING JOINT TORIQUE | | 1 | |
| 58 | 6H1-43875-00 | RING, SNAP RESSORT | | 1 | |
| 59 | 6CJ-43845-10 | SCREW, MANUAL RELEASE VIS | | 1 | |
| 60 | 93210-09165 | O-RING JOINT TORIQUE | | 1 | |
| 61 | 6CJ-43829-10 | PLUG, RESERVOIR BOUCHON | | 1 | |
| 62 | 6C5-43831-00 | CONNECTOR, SHAFT RACCORD | | 1 | |
| 63 | 93210-64488 | O-RING JOINT TORIQUE | | 1 | |
| 64 | 91380-05020 | BOLT BOULON | | 3 | |

FIG. 27 POWER TRIM & TILT ASSY 2

PUISSANCE PARER ET INCLINER 2



| REF. NO. | PART NO. N° PIECES | DESCRIPTION DESCRIPTION | EQ | EQ | REMARKS REMARQUES |
|----------|--------------------|--|----|----|-------------------|
| 1 | 6CJ-43880-10 | MOTOR ASSY MOTEUR (ENS.) | | 1 | |
| 2 | 6CJ-43805-10 | .ARMATURE ASSY .INDUIT (ENS.) | | 1 | |
| 3 | 6CJ-43804-10 | .STATOR ASSY .STATOR (ENS.) | | 1 | |
| 4 | 6EK-43892-00 | .BRUSH 2 .BALAI 2 | | 1 | |
| 5 | 6CJ-82181-10 | .CIRCUIT BREAKER COMP. .RUPTEUR COMPLET | | 1 | |
| 6 | 6EK-4380F-00 | .PLATE, BRUSH HOLDER .PLAQUE | | 1 | |
| 7 | 62X-4386K-00 | .SPRING, BRUSH .RESSORT, BALAI | | 2 | |
| 8 | 63P-43879-10 | .SCREW, WITH WASHER .VIS, AVEC RONDELLE | | 3 | |
| 9 | 97602-04316 | .SCREW, PAN HEAD WITH WASHER .VIS | | 2 | |
| 10 | 6CJ-43881-10 | .FRAME, END .BATI | | 1 | |
| 11 | 6EK-43882-00 | ..OIL SEAL ..JOINT SPI | | 1 | |
| 12 | 6CJ-43862-10 | .O-RING .JOINT TORIQUE | | 1 | |



6C1B100-N290

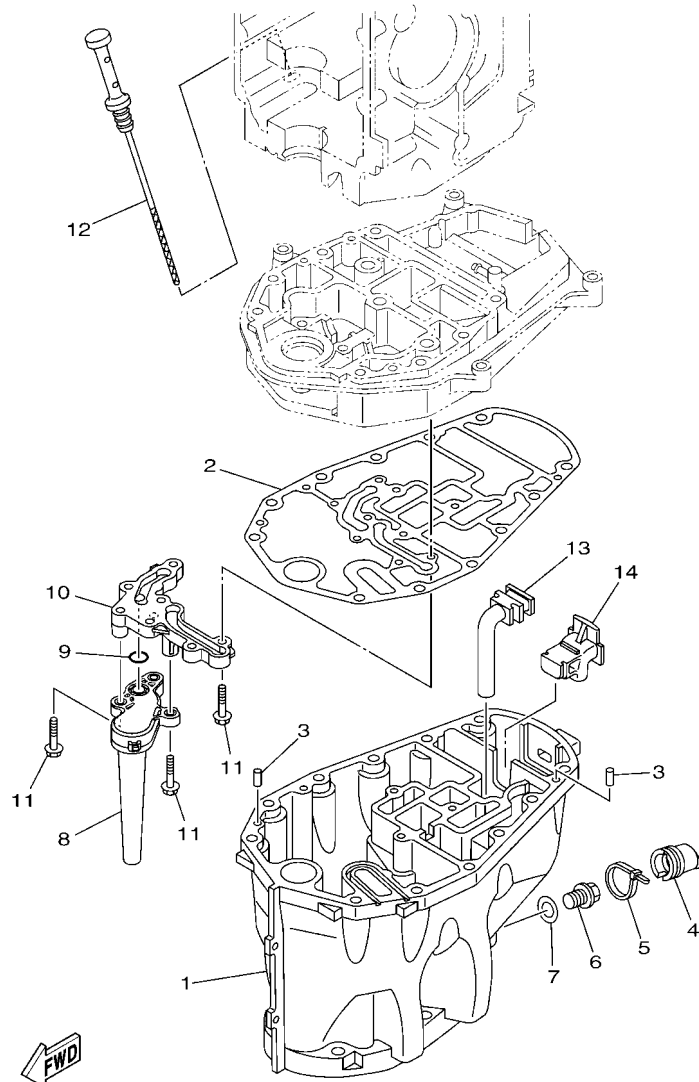
FIG. 28 UPPER CASING

FOURREAU

| REF. NO. | PART NO. N° PIECES | DESCRIPTION DESCRIPTION | Q | U | | REMARKS REMARQUES |
|----------|--------------------|--|---|---|--|-------------------|
| 1 | 6C5-41137-02-CA | GUIDE, EXHAUST COLLECTEUR D'ECHAPPEMENT | 1 | 1 | | |
| 2 | 93103-18011 | OIL SEAL JOINT SPY | 1 | 1 | | |
| 3 | 93608-12M05 | PIN, DOWEL AXE | 2 | 2 | | |
| 4 | 6C5-41133-00 | GASKET, EXHAUST MANIFOLD 1 JOINT, PIPE D'ECHAPPEMENT | 1 | 1 | | |
| 5 | 6C5-41131-00-CA | MANIFOLD, EXT. 1 PIPE D'ECHAPPEMENT | 1 | 1 | | |
| 6 | 6C5-46132-00 | GASKET 1 JOINT 1 | 1 | 1 | | |
| 7 | 90119-06261 | BOLT, WITH WASHER BOULON, AVEC RONDELLE | 3 | 3 | | |
| 8 | 6C5-41134-00 | GASKET, EXHAUST MANIFOLD JOINT, PIPE D'ECHAPPEMENT | 1 | 1 | | |
| 9 | 6C5-45181-00-CA | PLATE PLAQUETTE | 1 | 1 | | |
| 10 | 93604-10M03 | PIN, DOWEL CLAVETTE | 2 | 2 | | |
| 11 | 6C5-41135-00 | GASKET, EXHAUST MANIFOLD JOINT, PIPE D'ECHAPPEMENT | 1 | 1 | | |
| 12 | 6C5-14711-00-CA | MUFFLER 1 POT D'ECHAPPEMENT 1 | 1 | 1 | | |
| 13 | 97575-06525 | BOLT, WITH WASHER VIS HEXAGONAL AVC RONDELLE | 6 | 6 | | |
| 14 | 6C5-45123-00 | GASKET, MUFFLER JOINT, POT DE DETENTE | 1 | 1 | | |
| 15 | 90119-08102 | BOLT, WITH WASHER BOULON, AVEC RONDELLE | 4 | 4 | | |
| 16 | 90119-08132 | BOLT, WITH WASHER BOULON, AVEC RONDELLE | 8 | 8 | | |
| 17 | 6C5-45155-00 | CAP CAPUCHON | 1 | 1 | | |
| 18 | 69W-45318-00 | BUSHING, DRIVE SHAFT DOUILLE, ARBRE MOTEUR | 1 | 1 | | |
| 19 | 93420-36M01 | CIRCLIP CIRCLIP, TYPE S | 1 | 1 | | |
| 20 | 97575-10545 | BOLT, WITH WASHER VIS HEXAGONAL AVC RONDELLE | 6 | 6 | | |
| 21 | 93606-12019 | PIN, DOWEL GOUPILLE | 2 | 2 | | |
| 22 | 6C5-45111-00-8D | CASING, UPPER FOURREAU | 1 | 1 | | |

FIG. 29 OIL PAN

VENTILATEUR D'HUILE



6C1A100-M300

| REF. NO. | PART NO. N° PIECES | DESCRIPTION DESCRIPTION | Q | U | | REMARKS REMARQUES |
|----------|--------------------|---|---|---|--|-------------------|
| 1 | 6C5-15311-01-CA | OIL PAN VENTILATEUR D'HUILE | 1 | 1 | | |
| 2 | 6C5-15312-01 | GASKET, OIL PAN JOINT DE VENTILATEUR D'HUILE | 1 | 1 | | |
| 3 | 93606-12019 | PIN, DOWEL GOUPILLE | 2 | 2 | | |
| 4 | 6CJ-15316-00 | DAMPER 1 AMORTISSEUR 1 | 1 | 1 | | |
| 5 | 90465-11M59 | CLAMP BRIDE | 1 | 1 | | |
| 6 | 90340-14M06 | PLUG, STRAIGHT SCREW PLOT, FILETE DROIT | 1 | 1 | | |
| 7 | 90430-14M09 | GASKET JOINT | 1 | 1 | | |
| 8 | 6CJ-13411-10 | STRAINER, OIL FILTRE, HUILE | 1 | 1 | | |
| 9 | 93210-12790 | O-RING JOINT TORIQUE | 1 | 1 | | |
| 10 | 6CJ-15333-10 | COVER COUVERCLE | 1 | 1 | | |
| 11 | 95812-06025 | BOLT, FLANGE BOULON | 9 | 9 | | |
| 12 | 6C5-15362-00 | PLUG, OIL LEVEL PLOT, NIVEAU D'HUILE | 1 | 1 | | |
| 13 | 6C5-45135-10 | PIPE TUYAU | 1 | 1 | | |
| 14 | 6C5-45136-10 | PIPE DURITE | 1 | 1 | | |

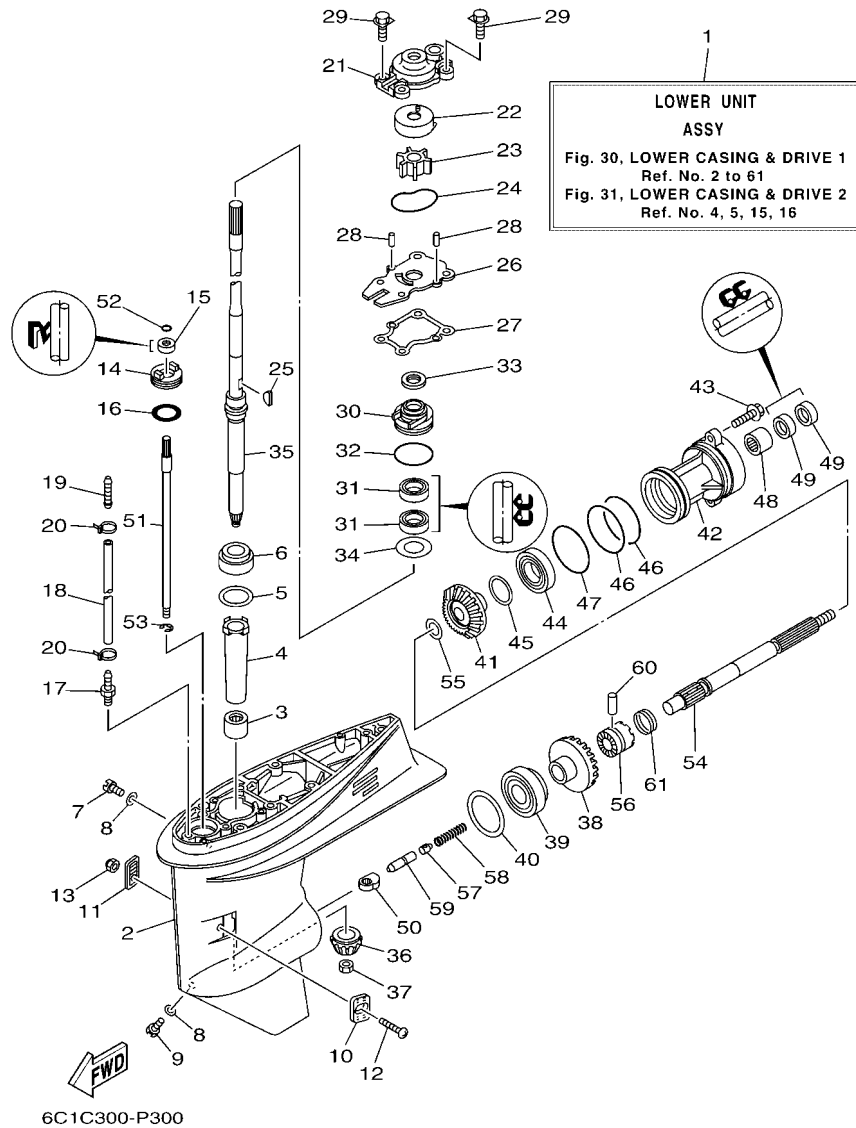
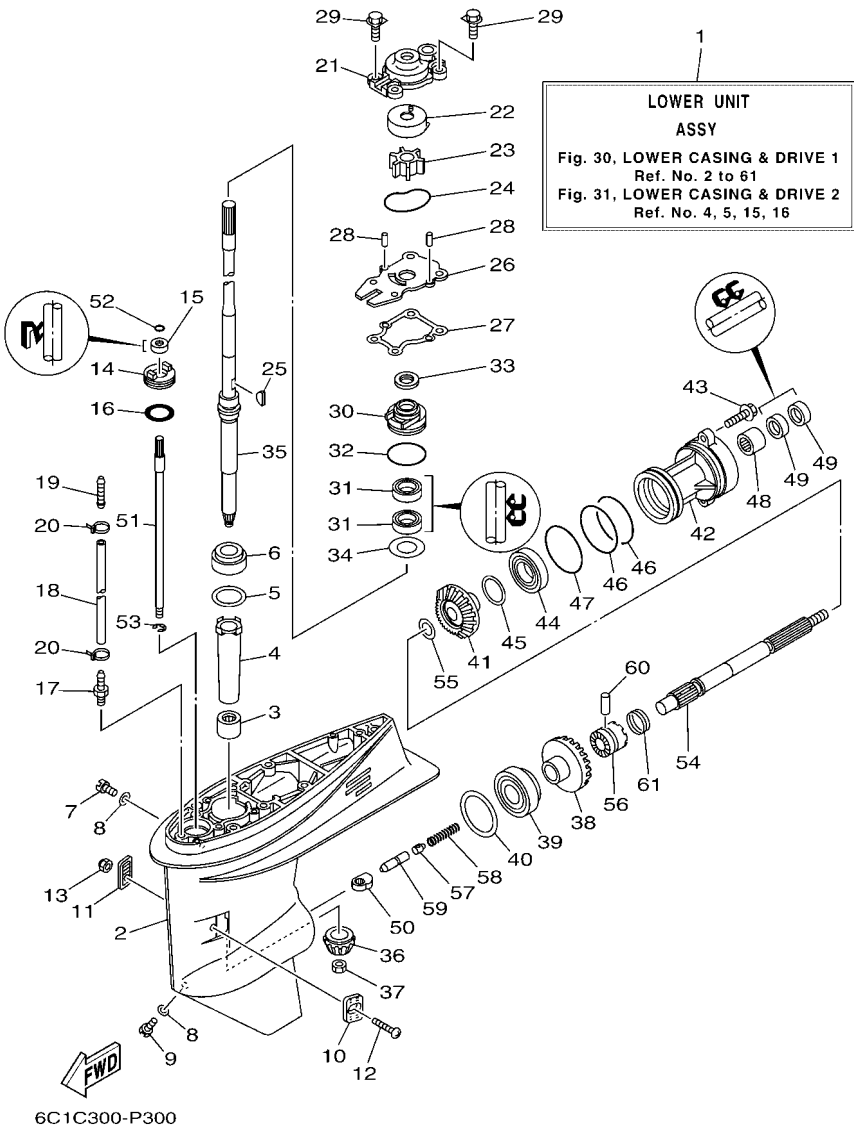


FIG. 30 LOWER CASING & DRIVE 1

BOITIER D'HELICE TRANSMISSION1

| REF. NO. | PART NO. N° PIECES | DESCRIPTION DESCRIPTION | QTY | QTY | REMARKS REMARQUES |
|----------|--------------------|--|-----|-----|----------------------|
| 1 | 69W-45300-01-8D | LOWER UNIT ASSY UNITE INFERIEURE (ENS.) | 1 | 1 | L(20.7") L(20.7") |
| 2 | 69W-45301-00-8D | CASING, LOWER BEQUILLE | 1 | 1 | |
| 3 | 93315-32224 | BEARING ROULEMENT | 1 | 1 | |
| 4 | 6H4-45536-00 | SLEEVE, DRIVE SHAFT MANCHON, ARBRE MOTEUR | 1 | 1 | |
| 5 | 663-45587-01 | SHIM (T:0.10MM) CALE (T:0.10MM) | 1 | 1 | UR UR |
| | 663-45587-10 | SHIM (T:0.12MM) CALE (T:0.12MM) | 1 | 1 | UR UR |
| | 663-45587-20 | SHIM (T:0.15MM) CALE (T:0.15MM) | 1 | 1 | UR UR |
| | 663-45587-30 | SHIM (T:0.18MM) CALE (T:0.18MM) | 1 | 1 | UR UR |
| | 663-45587-40 | SHIM (T:0.30MM) CALE (T:0.30MM) | 1 | 1 | UR UR |
| | 663-45587-50 | SHIM (T:0.40MM) CALE (T:0.40MM) | 1 | 1 | UR UR |
| | 663-45587-60 | SHIM (T:0.50MM) CALE (T:0.50MM) | 1 | 1 | UR UR |
| 6 | 93332-00001 | BEARING ROULEMENT | 1 | 1 | |
| 7 | 90340-08002 | PLUG, STRAIGHT SCREW PLOT, FILETE DROIT | 1 | 1 | |
| 8 | 90430-08003 | GASKET JOINT | 2 | 2 | |
| 9 | 688-45341-10 | PLUG, DRAIN BOUCHON DE VIDANGE | 1 | 1 | |
| 10 | 63D-45214-00 | COVER, WATER INLET 1 GRILLE, ENTREE D'EAU 1 | 1 | 1 | |
| 11 | 63D-45215-00 | COVER, WATER INLET 2 GRILLE, ENTREE D'EAU 2 | 1 | 1 | |
| 12 | 90152-05010 | SCREW, COUNTERSUNK VIS, TETE NOYEE | 1 | 1 | |
| 13 | 95380-05600 | NUT ECROU | 1 | 1 | |
| 14 | 63D-45321-00 | PLATE PLAQUETTE | 1 | 1 | |
| 15 | 93106-09014 | OIL SEAL JOINT SPY | 1 | 1 | |
| 16 | 93210-33MG4 | O-RING JOINT TORIQUE | 1 | 1 | |
| 17 | 6E5-45378-00 | NIPPLE, HOSE RACCORD, TUYAU | 1 | 1 | |
| 18 | 90445-07ME8 | HOSE (L80) DURITE (L80) | 1 | 1 | L(20.7") L(20.7") |
| 19 | 6E5-83558-10 | END, NIPPLE RACCORD DE NIPPLE | 1 | 1 | |
| 20 | 90465-11M10 | CLAMP BRIDE | 2 | 2 | |
| 21 | 63D-44311-00 | HOUSING, WATER PUMP CORPS, POMPE A EAU | 1 | 1 | |



6C1C300-P300

FIG. 30 LOWER CASING & DRIVE 1

BOITIER D'HELICE TRANSMISSION1

| REF. NO. | PART NO. N° PIECES | DESCRIPTION DESCRIPTION | QTY | QTY | | REMARKS REMARQUES |
|----------|--------------------|--|-----|-----|--|----------------------|
| 22 | 63D-44322-00 | INSERT, CARTRIDGE CUVETTE | 1 | 1 | | |
| 23 | 6H3-44352-00 | IMPELLER TURBINE | 1 | 1 | | |
| 24 | 93210-59MG7 | O-RING JOINT TORIQUE | 1 | 1 | | |
| 25 | 90280-03024 | KEY, WOODRUFF CLAVETTE, DEMI-LUNE | 1 | 1 | | |
| 26 | 63D-44323-00 | OUTER PLATE, CARTRIDGE PLAQUE EXTERIEURE | 1 | 1 | | |
| 27 | 63D-44316-00 | GASKET, WATER PUMP JOINT, POMPE A EAU | 1 | 1 | | |
| 28 | 93604-08062 | PIN, DOWEL CLAVETTE | 2 | 2 | | |
| 29 | 90119-08M15 | BOLT, WITH WASHER BOULON, AVEC RONDELLE | 4 | 4 | | |
| 30 | 6BG-44341-00 | HOUSING, WATER PUMP CORPS, POMPE A EAU | 1 | 1 | | |
| 31 | 93101-25M57 | OIL SEAL JOINT SPY | 2 | 2 | | |
| 32 | 93210-48001 | O-RING JOINT TORIQUE | 1 | 1 | | |
| 33 | 63D-45344-00 | COVER, OIL SEAL FLASQE, JOINT D'HUILE | 1 | 1 | | |
| 34 | 90201-27M00 | WASHER, PLATE RONDELLE, PLATE | 1 | 1 | | |
| 35 | 69W-45501-00 | DRIVE SHAFT COMP. ARBRE MOTEUR COMP. | 1 | 1 | | L(20.7") L(20.7") |
| 36 | 69W-45551-00 | PINION (13T) PIGNON D'ATTAQUE (13D) | 1 | 1 | | |
| 37 | 90170-12138 | NUT ECROU | 1 | 1 | | |
| 38 | 69W-45560-00 | GEAR 1 (24T) PIGNON 1 (24T) | 1 | 1 | | |
| 39 | 93332-00092 | BEARING ROULEMENT | 1 | 1 | | |
| 40 | 663-45567-01 | SHIM (T:0.10MM) CALE (T:0.10MM) | 1 | 1 | | UR |
| | 663-45567-10 | SHIM (T:0.12MM) CALE (T:0.12MM) | 1 | 1 | | UR |
| | 663-45567-20 | SHIM (T:0.15MM) CALE (T:0.15MM) | 1 | 1 | | UR |
| | 663-45567-30 | SHIM (T:0.18MM) CALE (T:0.18MM) | 1 | 1 | | UR |
| | 663-45567-40 | SHIM (T:0.30MM) CALE (T:0.30MM) | 1 | 1 | | UR |
| | 663-45567-50 | SHIM (T:0.40MM) CALE (T:0.40MM) | 1 | 1 | | UR |
| | 663-45567-60 | SHIM (T:0.50MM) CALE (T:0.50MM) | 1 | 1 | | UR |
| 41 | 62Y-45571-00 | GEAR 2 (24T) PIGNON 2 (24T) | 1 | 1 | | |
| 42 | 63D-45361-02-8D | CAP, LOWER CASING COUVERCLE, BOITIER D'HELICE | 1 | 1 | | |

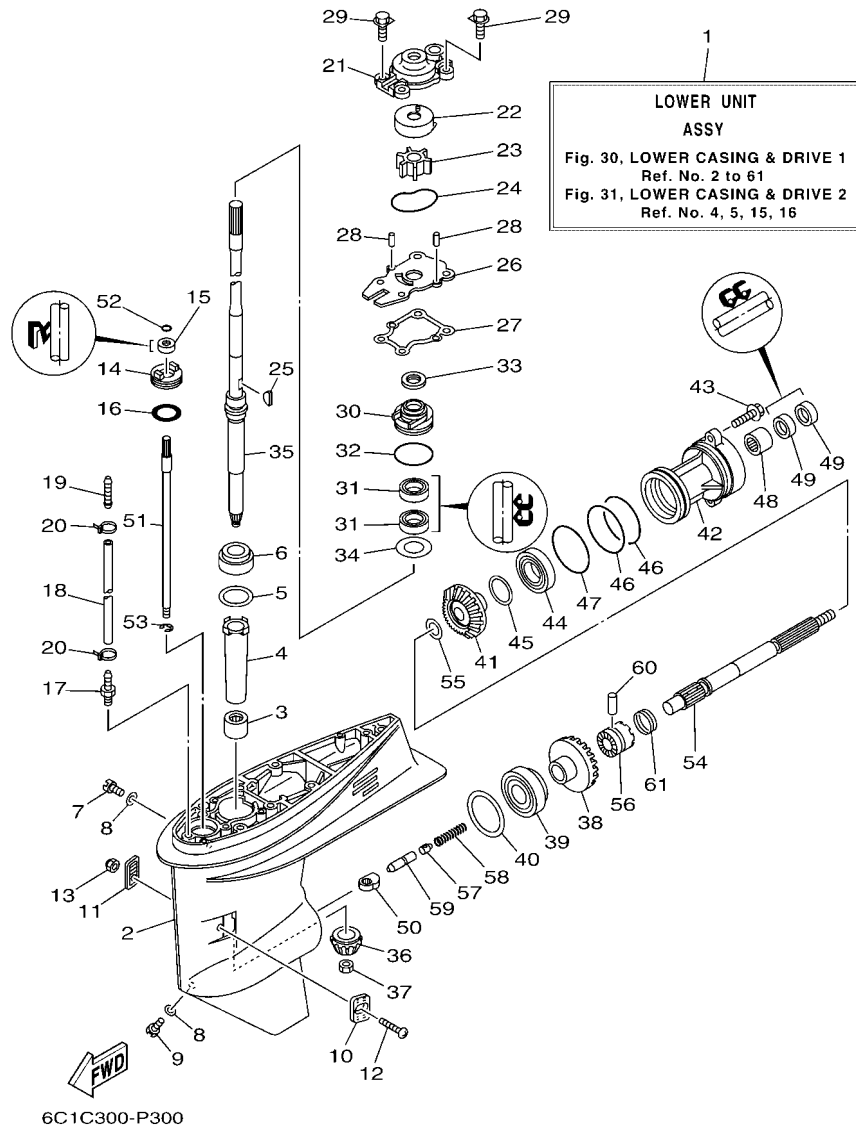


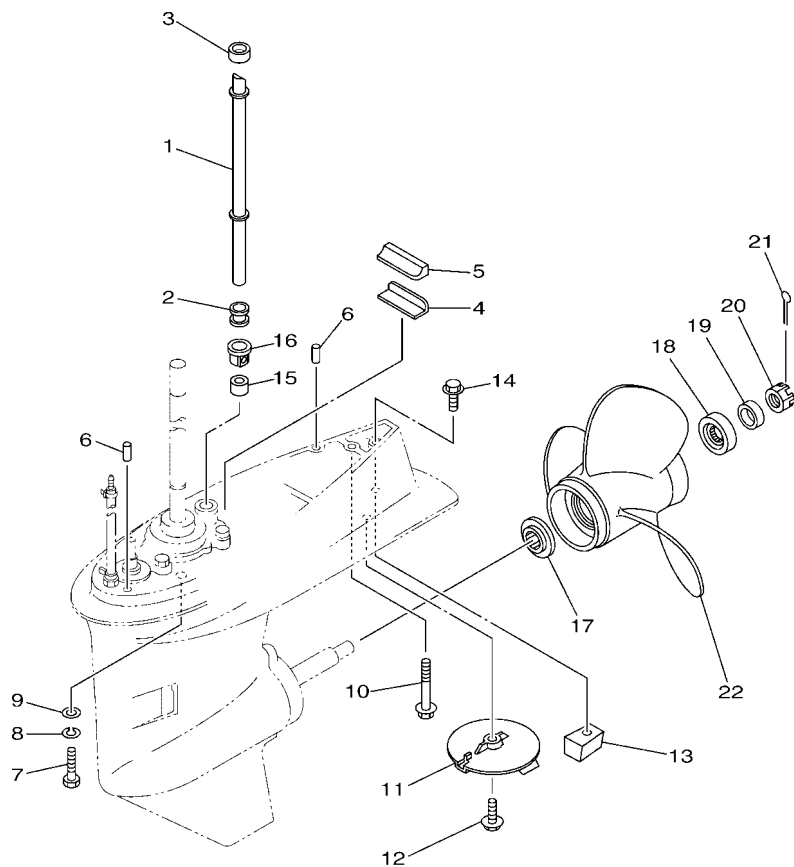
FIG. 30 LOWER CASING & DRIVE 1

BOITIER D'HELICE TRANSMISSION1

| REF. NO. | PART NO. N° PIECES | DESCRIPTION DESCRIPTION | QTY | QTY | REMARKS REMARQUES |
|----------|--------------------|---|-----|-----|-------------------|
| 43 | 90105-08M61 | BOLT, FLANGE BOULON | 2 | 2 | |
| 44 | 93306-001U1 | BEARING ROULEMENT | 1 | 1 | |
| 45 | 63D-45577-00 | SHIM (T:0.10MM) CALE (T:0.10MM) | 1 | 1 | UR |
| | 63D-45577-10 | SHIM (T:0.12MM) CALE (T:0.12MM) | 1 | 1 | UR |
| | 63D-45577-20 | SHIM (T:0.15MM) CALE (T:0.15MM) | 1 | 1 | UR |
| | 63D-45577-30 | SHIM (T:0.18MM) CALE (T:0.18MM) | 1 | 1 | UR |
| | 63D-45577-40 | SHIM (T:0.30MM) CALE (T:0.30MM) | 1 | 1 | UR |
| | 63D-45577-50 | SHIM (T:0.40MM) CALE (T:0.40MM) | 1 | 1 | UR |
| | 63D-45577-60 | SHIM (T:0.50MM) CALE (T:0.50MM) | 1 | 1 | UR |
| 46 | 93210-74MG5 | O-RING JOINT TORIQUE | 2 | 2 | |
| 47 | 93210-69MG6 | O-RING JOINT TORIQUE | 1 | 1 | |
| 48 | 93317-22204 | BEARING ROULEMENT | 1 | 1 | |
| 49 | 93101-22M00 | OIL SEAL JOINT SPY | 2 | 2 | |
| 50 | 62Y-44151-00 | CAM, SHIFT CAME, INVERSION | 1 | 1 | |
| 51 | 63D-44144-00 | ROD, SHIFT TIGE D'EMBAYAGE | 1 | 1 | |
| 52 | 93210-07003 | O-RING JOINT TORIQUE | 1 | 1 | |
| 53 | 99001-08600 | CIRCLIP CIRCLIP | 1 | 1 | |
| 54 | 63D-45611-00 | SHAFT, PROPELLER ARBRE, HELICE | 1 | 1 | |
| 55 | 90201-22008 | WASHER, PLATE RONDELLE, PLATE | 1 | 1 | |
| 56 | 62Y-45631-00 | CLUTCH, DOG CRABOT | 1 | 1 | |
| 57 | 663-45634-00 | SLIDE, SHIFT CONTRE-POUSSOIR | 1 | 1 | |
| 58 | 90501-18001 | SPRING, COMPRESSION RESSORT, COMPRESSION | 1 | 1 | |
| 59 | 63D-45635-00 | PLUNGER, SHIFT POUSSOIR D'EMBAYAGE | 1 | 1 | |
| 60 | 90250-06023 | PIN, STRAIGHT GOUILLE, DROITE | 1 | 1 | |
| 61 | 67C-45633-00 | RING, CROSS PIN JONC, GOUILLE CRABOT | 1 | 1 | |

FIG. 31 LOWER CASING & DRIVE 2

BOITIER D'HELICE TRANSMISSION2

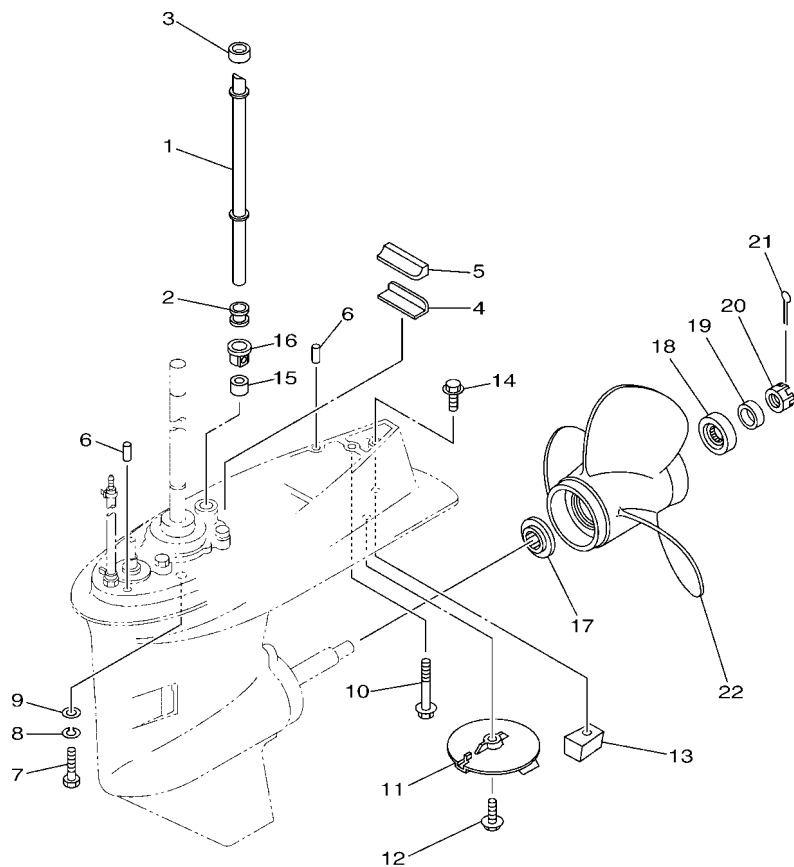



6C1C300-P310

| REF. NO. | PART NO. N° PIECES | DESCRIPTION DESCRIPTION | Q | U | | REMARKS REMARQUES |
|----------|--------------------|---|---|---|--|----------------------|
| 1 | 6C5-44361-00 | TUBE, WATER 1 TUBE D'EAU 1 | 1 | 1 | | L(20.7") L(20.7") |
| 2 | 663-44367-00 | DAMPER, WATER SEAL 3 JOINT TUBE D'EAU 3 | 1 | 1 | | |
| 3 | 663-44366-00 | DAMPER, WATER SEAL 2 JOINT, TUBE D'EAU 2 | 1 | 1 | | |
| 4 | 663-45376-00 | GUIDE, SEAL DAMPER BUTEE, JOINT CAOUTCHOUC | 1 | 1 | | |
| 5 | 63D-45375-00 | DAMPER, SEAL BOURRELET, CAOUTCHOUC | 1 | 1 | | |
| 6 | 93606-12019 | PIN, DOWEL GOUPILLE | 2 | 2 | | |
| 7 | 97075-10040 | BOLT BOULON | 4 | 4 | | L(20.7") L(20.7") |
| 8 | 92995-10100 | WASHER RONDELLE | 4 | 4 | | L(20.7") L(20.7") |
| 9 | 92995-10600 | WASHER RONDELLE | 4 | 4 | | L(20.7") L(20.7") |
| 10 | 90119-08M84 | BOLT, WITH WASHER BOULON, AVEC RONDELLE | 1 | 1 | | L(20.7") L(20.7") |
| 11 | 67C-45371-00 | TAB-TRIM ANODE DERIVE | 1 | 1 | | |
| 12 | 97595-08525 | BOLT, WITH WASHER VIS HEXAGONAL AVC RONDELLE | 1 | 1 | | |
| 13 | 67C-45251-00 | ANODE ANODE | 1 | 1 | | |
| 14 | 97595-08535 | BOLT, WITH WASHER VIS HEXAGONAL AVC RONDELLE | 1 | 1 | | |
| 15 | 663-44366-00 | DAMPER, WATER SEAL 2 JOINT, TUBE D'EAU 2 | 1 | 1 | | |
| 16 | 63D-44312-00 | COVER, WATER PUMP HOUSING COUVERCLE | 1 | 1 | | |
| 17 | 663-45987-02 | SPACER 1 ENTRETOISE 1 | 1 | 1 | | |
| 18 | 66T-45997-00 | SPACER 2 ENTRETOISE 2 | 1 | 1 | | |
| 19 | 90389-22M01 | BUSH DOUILLE | 1 | 1 | | |
| 20 | 90171-16011 | NUT, CASTLE ECROU, CRENELE | 1 | 1 | | |
| 21 | 91490-30025 | PIN, COTTER GOUPILLE | 1 | 1 | | |
| 22 | 69W-45943-00 | PROPELLER (3X11"X15"-G) HELICE (3X11"X15"-G) | 1 | 1 | | UR UR |
| | 69W-45945-00 | PROPELLER (3X11-1/8"X13"-G) HELICE (3X11-1/8"X13"-G) | 1 | 1 | | UR UR |
| | 69W-45947-00 | PROPELLER (3X11-5/8"X11"-G) HELICE (3X11-5/8"X11"-G) | 1 | 1 | | UR UR |
| | 69W-45952-00 | PROPELLER (3X11-3/8"X12"-G) HELICE (3X11-3/8"X12"-G) | 1 | 1 | | UR UR |
| | 663-45941-01 | PROPELLER (3X10-3/4"X17"-G) HELICE (3X10-3/4"X17"-G) | 1 | 1 | | UR UR |
| | 663-45949-01 | PROPELLER (3X10-3/4"X16"-G) HELICE (3X10-3/4"X16"-G) | 1 | 1 | | UR UR |

FIG. 31 LOWER CASING & DRIVE 2

BOITIER D'HELICE TRANSMISSION2




6C1C300-P310

| REF. NO. | PART NO. N° PIECES | DESCRIPTION DESCRIPTION | Q | U | REMARKS REMARQUES |
|----------|--------------------|---|---|---|-------------------|
| 22 | 663-45952-02 | PROPELLER (3X11-3/8"X12"-G) HELICE (3X11-3/8"X12"-G) | 1 | 1 | UR |
| | 663-45956-01 | PROPELLER (3X12-1/4"X9"-G) HELICE (3X12-1/4"X9"-G) | 1 | 1 | UR |
| | 663-45958-01 | PROPELLER (3X11-1/4"X14"-G) HELICE (3X11-1/4"X14"-G) | 1 | 1 | UR |
| | 6H5-45943-00 | PROPELLER (3X10"X15"-G) HELICE (3X10"X15"-G) | 1 | 1 | UR WITH LIP CUP |
| | 6H5-45945-00 | PROPELLER (3X10-3/8"X13"-G) HELICE (3X10-3/8"X13"-G) | 1 | 1 | UR WITH LIP CUP |
| | 6H5-45952-00 | PROPELLER (3X10-5/8"X12"-G) HELICE (3X10-5/8"X12"-G) | 1 | 1 | UR WITH LIP CUP |
| | 6H5-45958-00 | PROPELLER (3X10-1/4"X14"-G) HELICE (3X10-1/4"X14"-G) | 1 | 1 | UR WITH LIP CUP |
| | 663-45970-60 | PROPELLER (3X11-3/4"X12"-G) HELICE (3X11-3/4"X12"-G) | 1 | 1 | UR |
| | 663-45972-60 | PROPELLER (3X12"X11"-G) HELICE (3X12"X11"-G) | 1 | 1 | UR |
| | 663-45974-60 | PROPELLER (3X11-1/2"X13"-G) HELICE (3X11-1/2"X13"-G) | 1 | 1 | UR |
| | 697-45970-00 | PROPELLER (3X11-1/4"X14"-G) HELICE (3X11-1/4"X14"-G) | 1 | 1 | UR |
| | 663-45930-00 | PROPELLER (3X10-1/4"X14"-G) HELICE (3X10-1/4"X14"-G) | 1 | 1 | UR |
| | 663-45974-02 | PROPELLER (3X10-5/8"X13"-G) HELICE (3X10-5/8"X13"-G) | 1 | 1 | UR |
| | 663-45976-00 | PROPELLER (3X10-1/4"X15"-G) HELICE (3X10-1/4"X15"-G) | 1 | 1 | UR |
| | 663-45978-00 | PROPELLER (3X10-1/4"X16"-G) HELICE (3X10-1/4"X16"-G) | 1 | 1 | UR |

FIG. 26 FUEL TANK 23 L

RESEVOIR A ESSENCE 23 L

| REF. NO. | PART NO. NO. PIECES | DESCRIPTION DESCRIPTION | | | | | REMARKS REMARQUES |
|----------|---------------------|--|--|--|--|---|-------------------|
| 1 | 8085080 | COMPLETE FUEL TANK 23 L RESEVOIR A ESSENCE (ENS.) 23 L | | | | 1 | |
| 2 | 3540275 | GASKET JOINT | | | | 1 | |
| 3 | 1598845 | FUEL TANK PLUG (POS. NO 2+3) BOUCHON (ENS.) (POS. 2+3) | | | | 1 | |
| 4 | 8055085 | COMPLETE FUEL SUCTION DURITE DE SUCCION | | | | 1 | |
| 5 | 7080500 | CLAMP COLLIER | | | | 1 | |
| 6 | 8050270 | FUEL HOSE DURITE A ESSENCE | | | | 1 | |
| 7 | 7080490 | CLAMP COLLIER | | | | 1 | |
| 8 | 6G1-24305-01 | FUEL CONNECTOR - FEMALE DURITE RACCORDMENT A ESSENCE | | | | 1 | |
| | 1575270 | FUEL TANK WITH PIPE RESEVOIR A ESSENCE + DURITE | | | | 1 | |
| | 1581280 | COMPLETE PIPE (POS.NO. 5+6+7) DURITE A ESSENCE (ENS) (POS. 5+6+7) | | | | 1 | |

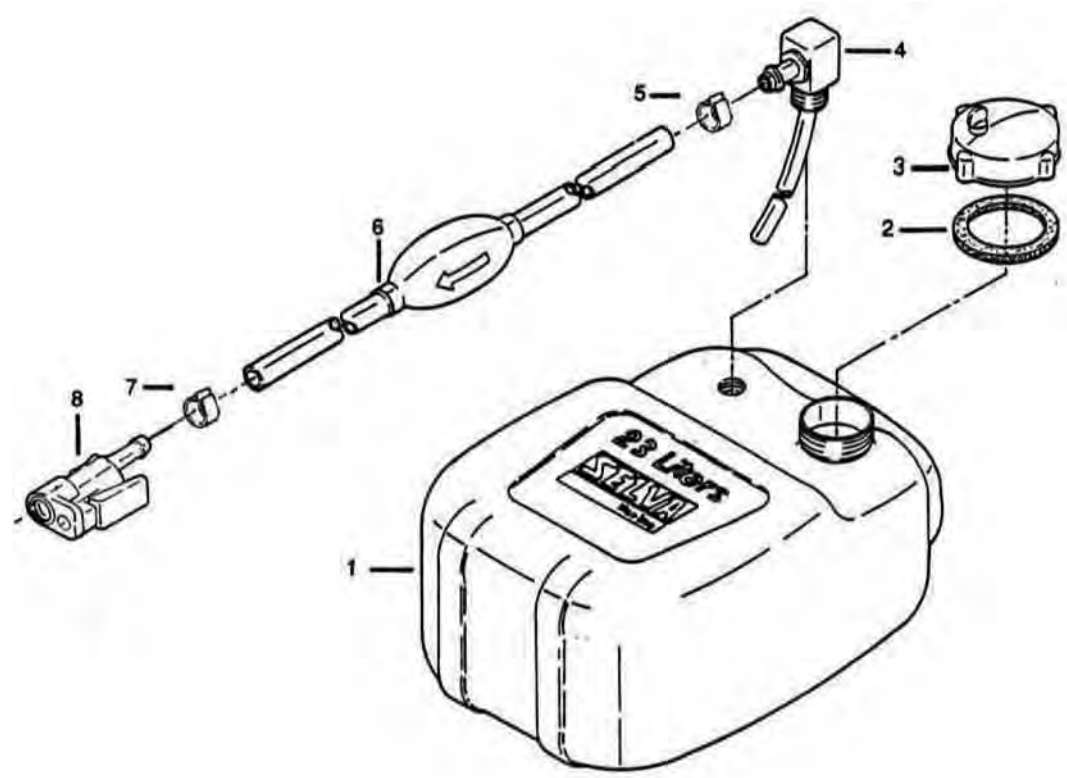
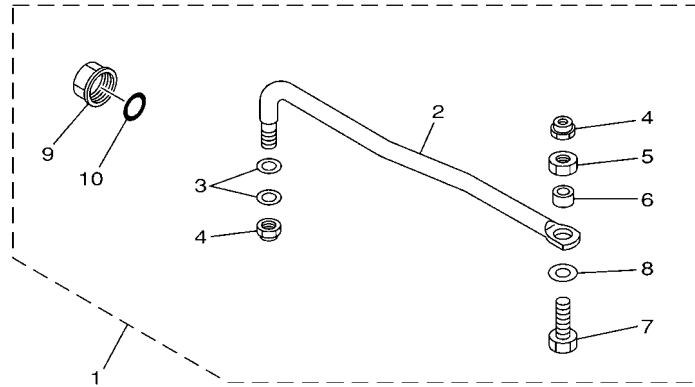


FIG. 33 STEERING GUIDE

FIXATION DE DIRECTION

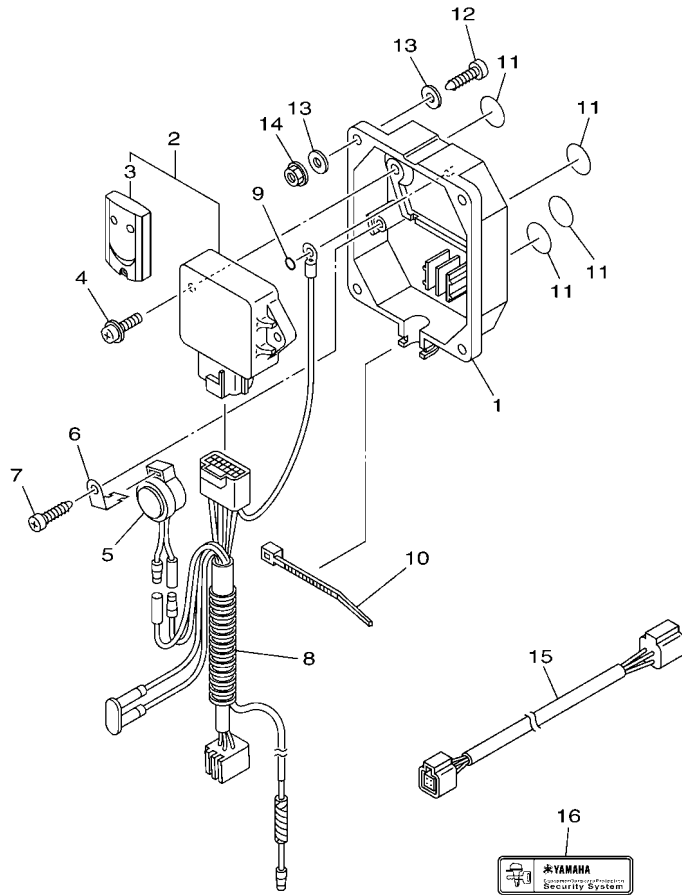


| REF. NO. | PART NO. N° PIECES | DESCRIPTION DESCRIPTION | Q | U | | | REMARKS REMARQUES |
|----------|--------------------|---|---|---|--|--|-------------------|
| 1 | 65W-61350-00 | STEERING GUIDE ATTACHMENT KIT FIXATIONS DE DIRECTION | 1 | 1 | | | AP AP |
| 2 | 65W-61351-00 | .ROD, STEERING LINK .RENOI DE DIRECTION | 1 | 1 | | | |
| 3 | 90201-10M20 | .WASHER, PLATE .RONDELLE, PLATE | 2 | 2 | | | |
| 4 | 90185-09M01 | .NUT, SELF-LOCKING .ECROU, AUTO-BLOQUANT | 2 | 2 | | | |
| 5 | 90170-09M03 | .NUT .ECROU | 1 | 1 | | | |
| 6 | 90387-10M42 | .COLLAR .COLLERETTE | 1 | 1 | | | |
| 7 | 90101-09M01 | .BOLT .BOULON | 1 | 1 | | | |
| 8 | 90201-10M63 | .WASHER, PLATE .RONDELLE, PLATE | 1 | 1 | | | |
| 9 | 6E5-43145-01 | .CAP, CLAMP BRACKET .CAPUCHON, PRESSE | 1 | 1 | | | |
| 10 | 93210-16275 | .O-RING .JOINT TORIQUE | 1 | 1 | | | |
| | | | | | | | |
| | | | | | | | |
| | | | | | | | |
| | | | | | | | |
| | | | | | | | |
| | | | | | | | |

65W0010-8210

FIG. 34 OPTIONAL PARTS 1

PIECES OPTIONNELLES 1

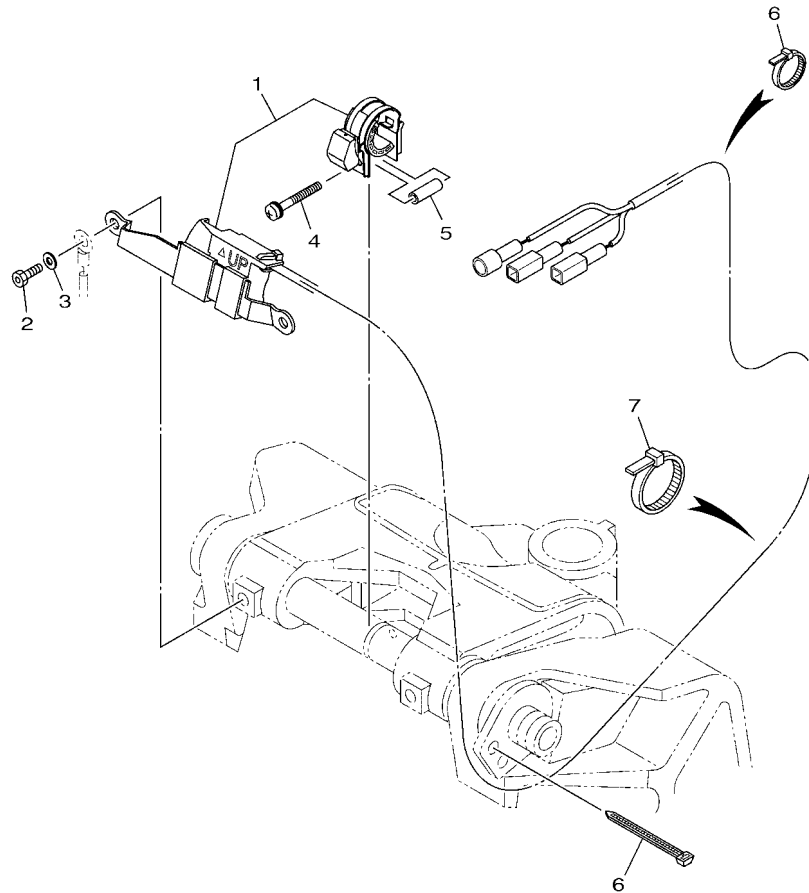


| REF. NO. | PART NO. N° PIECES | DESCRIPTION DESCRIPTION | QTY | QTY | | REMARKS REMARQUES |
|----------|--------------------|--|-----|-----|--|-------------------|
| 1 | 6Y8-86267-00 | CASE COMPLETE 1 CARTER (ENS.) 1 | 1 | 1 | | |
| 2 | 6Y8-86260-02 | REMOTE CONTROL UNIT ASSY UNITE DE TELECOMMANDE (ENS.) | 1 | 1 | | |
| 3 | 6AA-86261-00 | .XMTR. COMP. .XMTR. COMP. | 2 | 2 | | |
| 4 | 97980-06216 | SCREW, WITH WASHER VIS, AVEC RONDELLE | 2 | 2 | | |
| 5 | 6X4-83383-00 | BUZZER RONFLEUR | 1 | 1 | | |
| 6 | 6X4-83386-00 | STAY, BUZZER SUPPOR, RONFLEUR | 1 | 1 | | |
| 7 | 97780-60620 | SCREW, TAPPING VIS, TETE BOMBEE | 1 | 1 | | |
| 8 | 6Y8-82509-10 | WIRE, SUB LEAD FIL, SECONDAIRE | 1 | 1 | | |
| 9 | 93210-04279 | O-RING JOINT TORIQUE | 1 | 1 | | |
| 10 | 90465-11M10 | CLAMP BRIDE | 1 | 1 | | |
| 11 | 6Y8-8454G-00 | PATCH 1 TAMPON 1 | 4 | 4 | | |
| 12 | 90167-06M00 | SCREW, TAPPING VIS, TETE FRAISEE | 4 | 4 | | UR |
| | 97880-06035 | SCREW, PAN HEAD VIS, TETE TRONCONIQUE | 4 | 4 | | UR |
| 13 | 90201-06M30 | WASHER, PLATE RONDELLE, PLATE | 8 | 8 | | UR |
| 14 | 95780-06300 | NUT, FLANGE ECROU | 4 | 4 | | |
| 15 | 6Y8-82521-11 | 2FT PIGTAIL BUS FAISCEAU (L: 2FT.) | 1 | 1 | | |
| 16 | 6Y8-48277-00 | STICKER 1 ETIQUETTE 1 | 4 | 4 | | |

6CJ1100-K370

FIG. 35 OPTIONAL PARTS 2

PIECES OPTIONNELLES 2

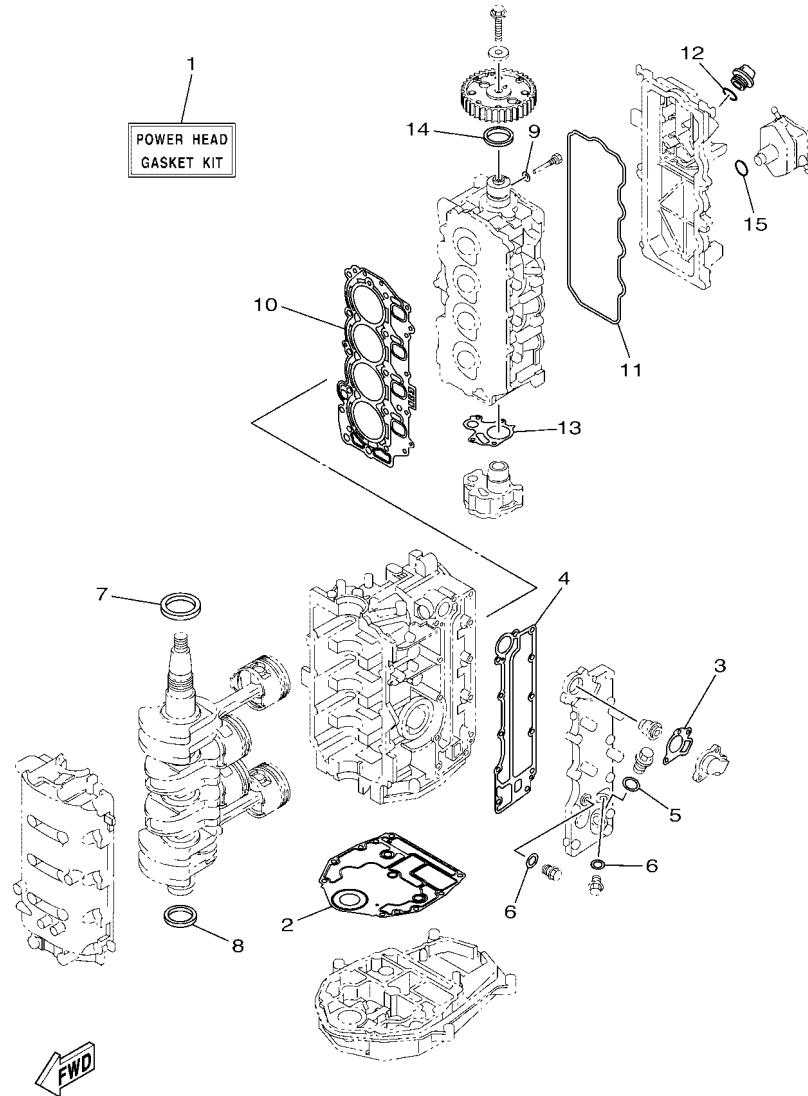



6CJ3100-L370

| REF. NO. | PART NO. N° PIECES | DESCRIPTION DESCRIPTION | EQ | LT | REMARKS REMARQUES |
|----------|--------------------|---|----|----|-------------------|
| 1 | 6C5-825E0-00 | TILT LIMIT SWITCH ASSY COMMUNTEUR, LIMIT INCLINAISON | | 1 | |
| 2 | 90109-06M88 | BOLT BOULON | | 2 | |
| 3 | 92990-06100 | WASHER, SPRING RONDELLE, GROWER | | 2 | |
| 4 | 90159-05059 | SCREW, WITH WASHER VIS, AVEC RONDELLE | | 1 | |
| 5 | 90387-05004 | COLLAR COLLERETTE | | 1 | |
| 6 | 90465-11M10 | CLAMP BRIDE | | 5 | |
| 7 | 90465-13M18 | CLAMP BRIDE | | 3 | |
| | | | | | |
| | | | | | |
| | | | | | |
| | | | | | |
| | | | | | |
| | | | | | |
| | | | | | |
| | | | | | |
| | | | | | |
| | | | | | |

FIG. 36 REPAIR KIT 1

KITS DE REPARATION 1

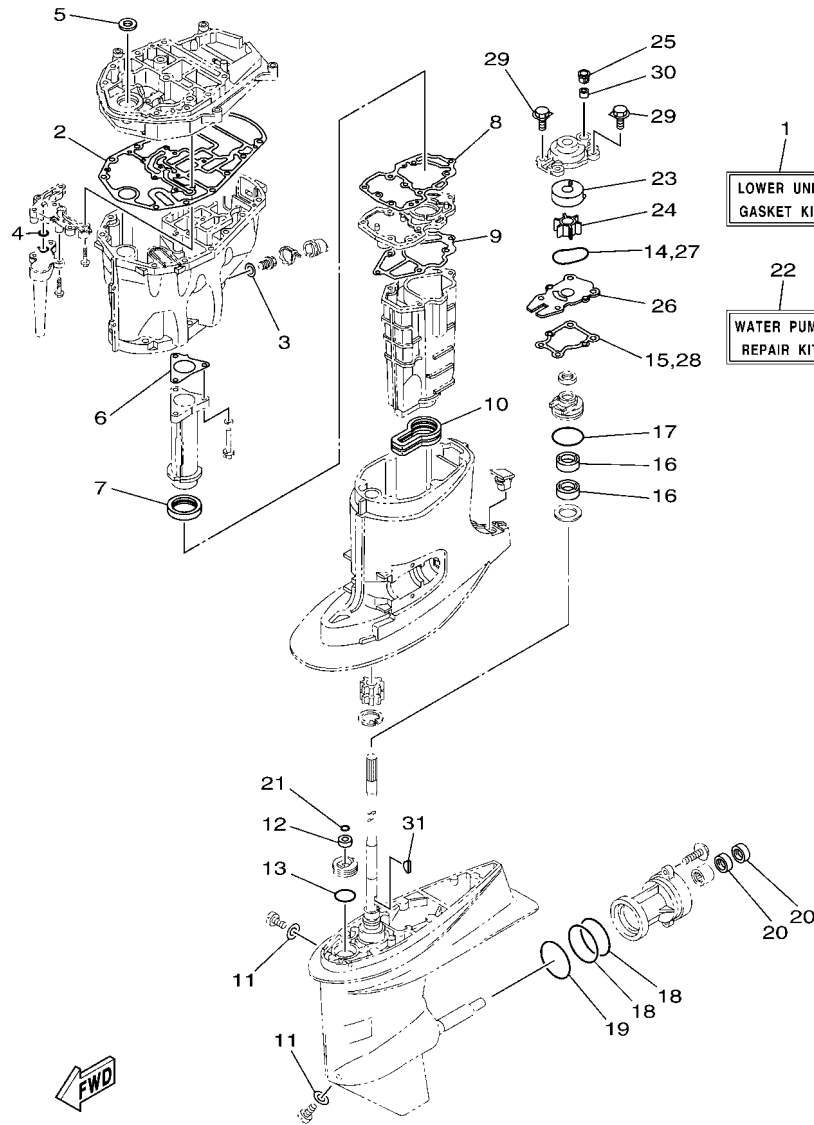


6C1B100-N370

| REF. NO. | PART NO. N° PIECES | DESCRIPTION DESCRIPTION | QTY | QTY | REMARKS REMARQUES |
|----------|--------------------|---|-----|-----|-------------------|
| 1 | 6C5-W0001-03 | POWER HEAD GASKET KIT POCHETTE DE JINTS TETE MOTRICE | 1 | 1 | |
| 2 | 6BG-11351-00 | .GASKET, CYLINDER .JOINT, D'EMBASE | 1 | 1 | |
| 3 | 62Y-12414-00 | .GASKET, COVER .JOINT, COUVERCLE | 1 | 1 | |
| 4 | 6C5-41114-10 | .GASKET, EXHAUST OUTER COVER .JOINT, COUVERCLE D'ECHAPPEMENT | 1 | 1 | |
| 5 | 90201-186F1 | .WASHER, PLATE .RONDELLE, PLATE | 1 | 1 | |
| 6 | 90430-14115 | .GASKET .JOINT | 2 | 2 | |
| 7 | 93102-43M42 | .OIL SEAL .JOINT SPY | 1 | 1 | |
| 8 | 93101-35002 | .OIL SEAL .JOINT SPY | 1 | 1 | |
| 9 | 90430-06014 | .GASKET .JOINT | 1 | 1 | |
| 10 | 6C5-11181-01 | .GASKET, CYLINDER HEAD 1 .JOINT, DE CULASSE 1 | 1 | 1 | |
| 11 | 62Y-11356-00 | .SEAL, CYLINDER 2 .JOINT, SPY CYLINDRE | 1 | 1 | |
| 12 | 93210-24M79 | .O-RING .JOINT TORIQUE | 1 | 1 | |
| 13 | 6C5-13329-00 | .GASKET, PUMP COVER .JOINT, COUVERCLE DE POMPE | 1 | 1 | |
| 14 | 93102-37M40 | .OIL SEAL .JOINT SPY | 1 | 1 | |
| 15 | 93210-24M79 | .O-RING .JOINT TORIQUE | 1 | 1 | |

FIG. 37 REPAIR KIT 2

KITS DE REPARATION 2

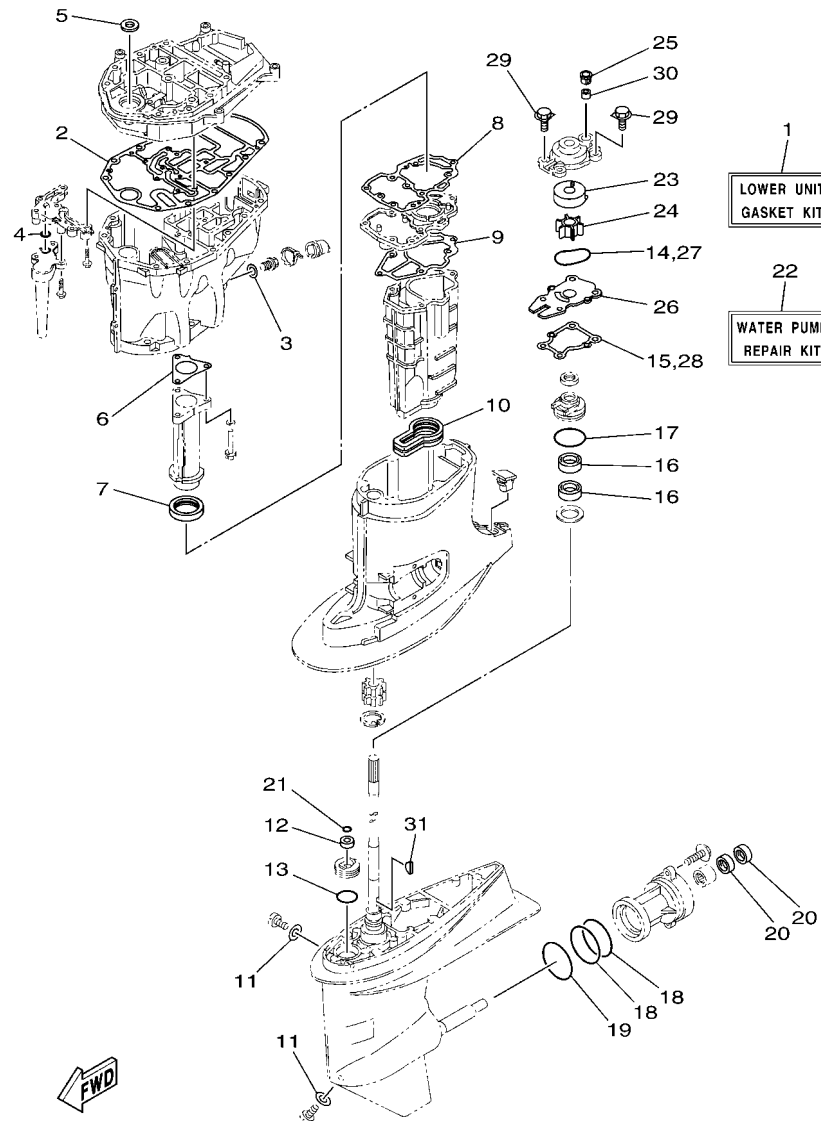


6C1D100-Q380

| REF. NO. | PART NO. N° PIECES | DESCRIPTION DESCRIPTION | Q | U | | | REMARKS REMARQUES |
|----------|--------------------|---|---|---|--|--|-------------------|
| 1 | 6C5-W0001-22 | LOWER UNIT GASKET KIT POCHETTE DE JOINTS EMBASE | 1 | 1 | | | |
| 2 | 6C5-15312-01 | .GASKET, OIL PAN .JOINT DE VENTILATEUR D'HUILE | 1 | 1 | | | |
| 3 | 90430-14M09 | .GASKET .JOINT | 1 | 1 | | | |
| 4 | 93210-12790 | .O-RING .JOINT TORIQUE | 1 | 1 | | | |
| 5 | 93103-18011 | .OIL SEAL .JOINT SPY | 1 | 1 | | | |
| 6 | 6C5-41133-00 | .GASKET, EXHAUST MANIFOLD 1 .JOINT, PIPE D'ECHAPPEMENT | 1 | 1 | | | |
| 7 | 6C5-46132-00 | .GASKET 1 .JOINT 1 | 1 | 1 | | | |
| 8 | 6C5-41134-00 | .GASKET, EXHAUST MANIFOLD .JOINT, PIPE D'ECHAPPEMENT | 1 | 1 | | | |
| 9 | 6C5-41135-00 | .GASKET, EXHAUST MANIFOLD .JOINT, PIPE D'ECHAPPEMENT | 1 | 1 | | | |
| 10 | 6C5-45123-00 | .GASKET, MUFFLER .JOINT, POT DE DETENTE | 1 | 1 | | | |
| 11 | 90430-08003 | .GASKET .JOINT | 2 | 2 | | | |
| 12 | 93106-09014 | .OIL SEAL .JOINT SPY | 1 | 1 | | | |
| 13 | 93210-33MG4 | .O-RING .JOINT TORIQUE | 1 | 1 | | | |
| 14 | 93210-59MG7 | .O-RING .JOINT TORIQUE | 1 | 1 | | | |
| 15 | 63D-44316-00 | .GASKET, WATER PUMP .JOINT, POMPE A EAU | 1 | 1 | | | |
| 16 | 93101-25M57 | .OIL SEAL .JOINT SPY | 2 | 2 | | | |
| 17 | 93210-48001 | .O-RING .JOINT TORIQUE | 1 | 1 | | | |
| 18 | 93210-74MG5 | .O-RING .JOINT TORIQUE | 2 | 2 | | | |
| 19 | 93210-69MG6 | .O-RING .JOINT TORIQUE | 1 | 1 | | | |
| 20 | 93101-22M00 | .OIL SEAL .JOINT SPY | 2 | 2 | | | |
| 21 | 93210-07003 | .O-RING .JOINT TORIQUE | 1 | 1 | | | |
| 22 | 63D-W0078-01 | WATER PUMP REPAIR KIT KIT DE REPARATION DE LA POMPE | 1 | 1 | | | |
| 23 | 63D-44322-00 | .INSERT, CARTRIDGE .CUVETTE | 1 | 1 | | | |
| 24 | 6H3-44352-00 | .IMPELLER .TURBINE | 1 | 1 | | | |
| 25 | 63D-44312-00 | .COVER, WATER PUMP HOUSING .COUVERCLE | 1 | 1 | | | |
| 26 | 63D-44323-00 | .OUTER PLATE, CARTRIDGE .PLAQUE EXTERIEURE | 1 | 1 | | | |
| 27 | 93210-59MG7 | .O-RING .JOINT TORIQUE | 1 | 1 | | | |

FIG. 37 REPAIR KIT 2

KITS DE REPARATION 2



| REF. NO. | PART NO. N° PIECES | DESCRIPTION DESCRIPTION | ED | ET | REMARKS REMARQUES |
|----------|--------------------|---|----|----|-------------------|
| 28 | 63D-44316-00 | .GASKET, WATER PUMP .JOINT, POMPE A EAU | 1 | 1 | |
| 29 | 90119-08M15 | .BOLT, WITH WASHER .BOULON, AVEC RONDELLE | 4 | 4 | |
| 30 | 663-44366-00 | .DAMPER, WATER SEAL 2 .JOINT, TUBE D'EAU 2 | 1 | 1 | |
| 31 | 90280-03024 | .KEY, WOODRUFF .CLAVETTE, DEMI-LUNE | 1 | 1 | |
| ----- | | | | | |
| ----- | | | | | |
| ----- | | | | | |
| ----- | | | | | |
| ----- | | | | | |
| ----- | | | | | |
| ----- | | | | | |
| ----- | | | | | |
| ----- | | | | | |
| ----- | | | | | |