

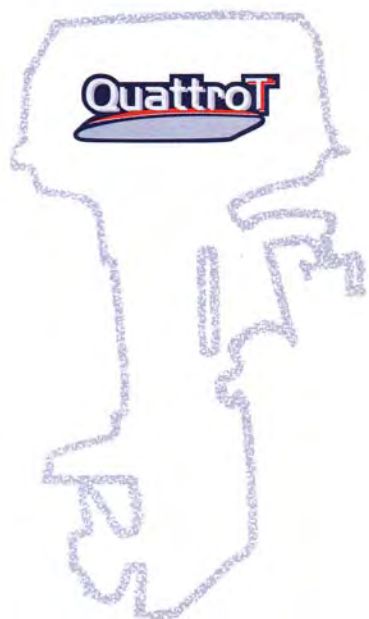
# Murena 70

*Production year 2019*

*Production année 2019*

## **PARTS CATALOGUE**

## **CATALOGUE DE PIÈCES DÉTACHÉES**



ENGINE STARTING SERIAL NUMBER: 1082803



A1

# FOREWORD

This Parts Catalogue is related to the parts for the model(s) on the cover page. When you are ordering replacement parts, please refer to this Parts Catalogue and quote both part numbers and part names correctly.

1. Modifications or additions which have been made after the issue of the Parts Catalogue will be announced in the Parts News.  
It is advisable that you make the necessary corrections to the Parts Catalogue according to the Parts News.

2. Abbreviations

The following abbreviations are used in this Parts Catalogue.

“UR” Use specified parts number.

“UN” Use as many as needed.

“AP” Alternate Parts

“LM” Locally Made (Parts need to be ordered locally)

“F#” Frame No. (Applicable machine No.)

“O/S” Over Size

3. The number of components for assembly

- Parts, which are to be supplied in an assembly, are listed with a dot (.) in front of the part name as shown below.
- The numeral appearing to the right of each component part indicates the quantity of parts for each assembly unit.

PART NO.	DESCRIPTION	Q'TY	REMARKS
2F5-83310-60	FRONT FLASHER LIGHT ASSY	2	
115-83311-60	.BULB (6V-18W)	1	

4. Applicable colours of graphics are represented in the “REMARKS” as shown below.

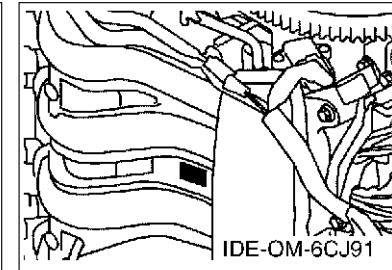
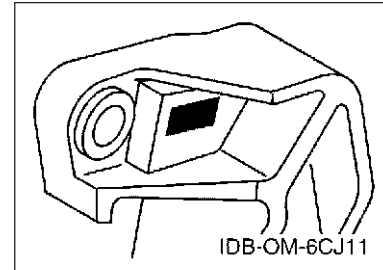
PART NO.	DESCRIPTION	Q'TY	REMARKS
2N4-24110-00-X5	FUEL TANK COMP.	2	MXR
3J1-24240-10	.GRAPHIC, FUEL TANK	1	FOR MXR

5. Note that the illustrations for reference in finding parts numbers are not to be used for assembling. When assembling, please use the applicable service manual.

6. The asterisk (\*) before a reference number indicates modified items after the first edition.

7. Applicable Serial No.

Engine Serial No.



8. Applicable Engine Starting Serial No.

Model	Serial No.	Model	Serial No.
F70A	6CJ-1082803		

9. Applicable Colour Code

Abbreviation	Colour Name	Colour Code
DBN1	DARK BLUISH GRAY 1	008D

10. Quantity Column Information

Column No.	Name Of Q'ty Column	Applicable Model
1	6CJA	F70AET

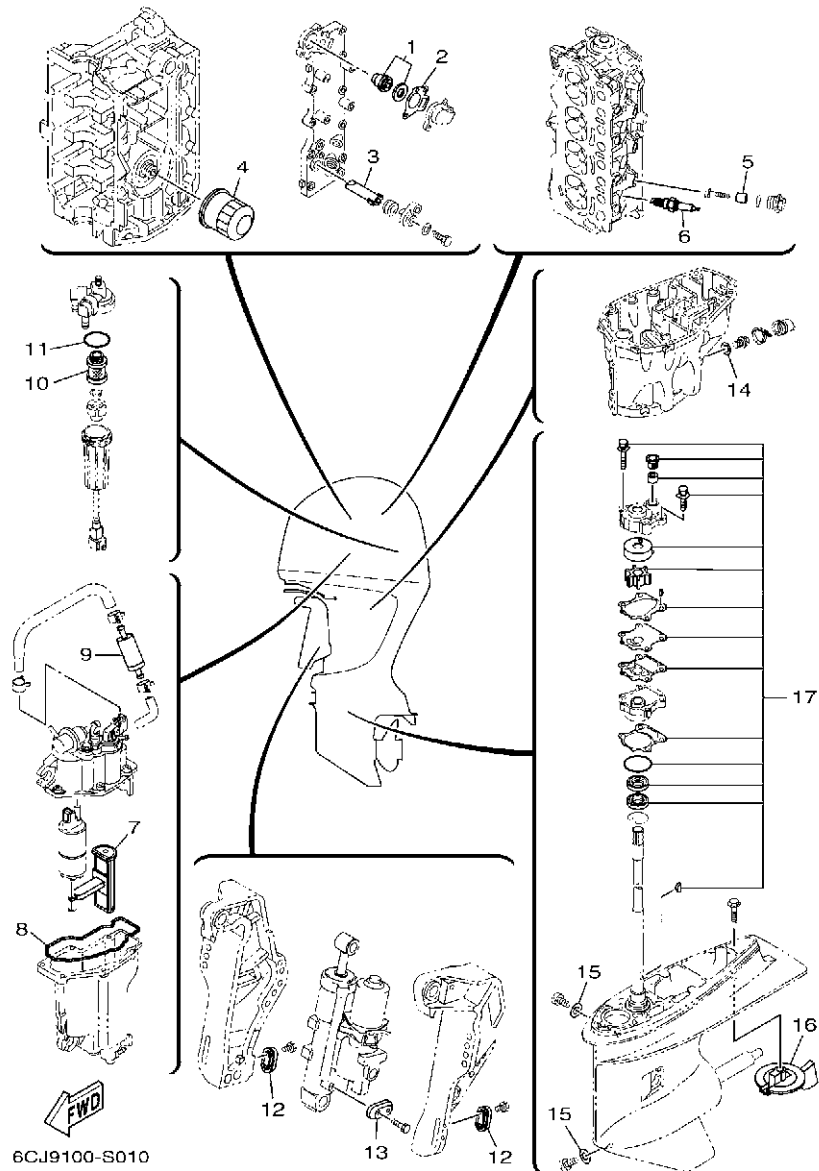


FIG. 1 SCHEDULED SERVICE PARTS

PIECES MAINTENANCE PERIODIQUE

REF. NO.	PART NO. N° PIECES	DESCRIPTION DESCRIPTION	6CJA				REMARKS REMARQUES
1	6G8-12411-03	THERMOSTAT THERMOSTAT	1				
2	62Y-12414-00	GASKET, COVER JOINT, COUVERCLE	1				
3	62Y-11325-00	ANODE ANODE	1				
4	5GH-13440-60	ELEMENT ASSY, OIL CLEANER ELEMENT, FILTRE A HUILE	1				
5	6G8-11325-00	ANODE ANODE	3				
6	94702-00429	PLUG, SPARK (NGK LKR7E) BOUGIE D, ALLUMAGE (NGK LKR7E)	4				
7	6C5-13915-00	FILTER FILTRE	1				
8	6C5-14984-10	GASKET, FLOAT CHAMBER JOINT, CUVE DE FLOTTEUR	1				
9	6C5-24251-00	STRAINER 1 FILTRE 1	1				
10	6D8-24563-00	ELEMENT, FILTER ELEMENT, FILTRE	1				
11	6D8-24564-00	GASKET JOINT	1				
12	65W-45251-00	ANODE ANODE	2				
13	65W-45251-00	ANODE ANODE	1				
14	90430-14M09	GASKET JOINT	1				
15	90430-08003	GASKET JOINT	2				
16	67F-45371-00	TAB-TRIM ANODE DERIVE	1				
17	6CJ-W0078-00	WATER PUMP REPAIR KIT KIT DE REPARATION DE LA POMPE	1				

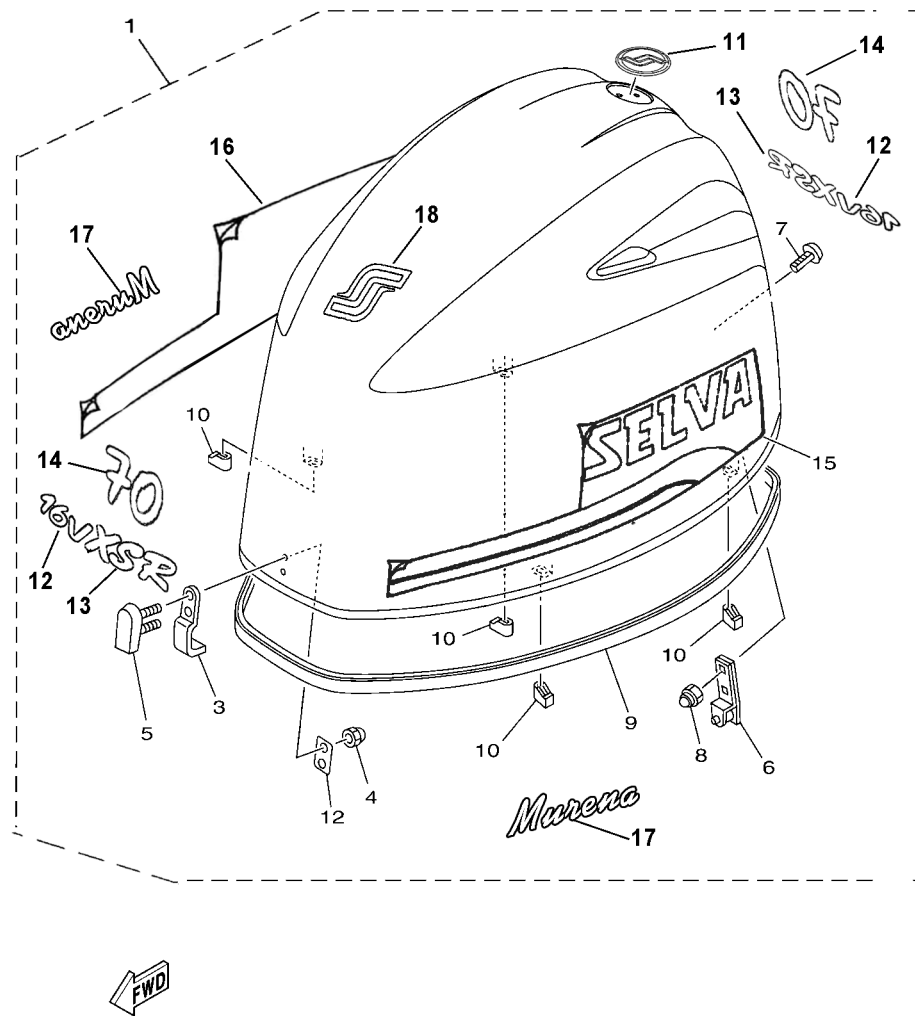
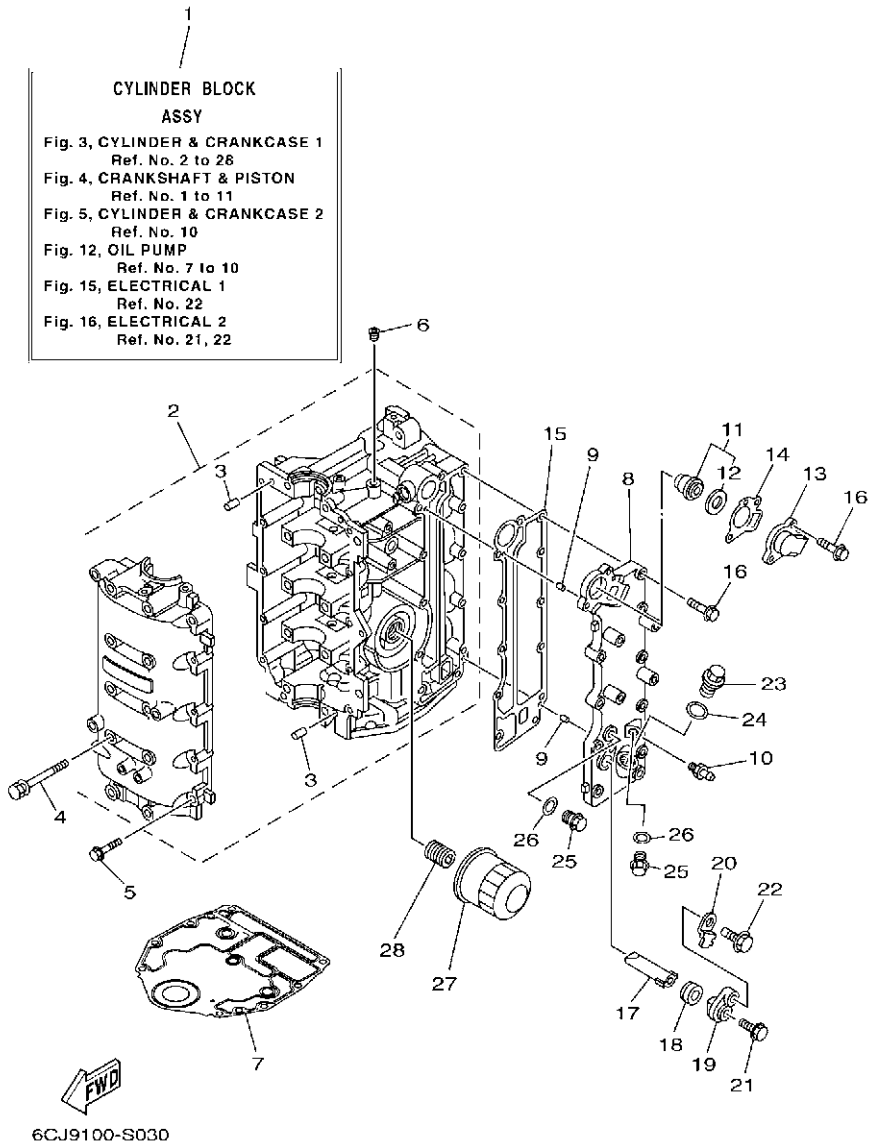


FIG. 2 TOP COWLING

CAPOT SUPERIEUR

REF. NO.	PART NO. N° PIECES	DESCRIPTION DESCRIPTION	6CJA	REMARKS REMARQUES
1	1504858	TOP COWLING ASSY CAPOT (ENS.)	1	
	1504952	TOP COWLING W/O GRAPHICS CAPOT SUPERIEUR SANS GRAPHIQUE	1	XSR
3	6BG-42651-00	..HOOK ..CROCHET	1	
4	95380-05800	..NUT ..ECROU	2	
5	6BG-42851-00	..COVER, CLAMP ..COUVERCLE, BRIDE	1	
6	6BG-42652-00	..HOOK ..CROCHET	1	
7	90109-06047	..BOLT ..BOULON	2	
8	90185-06M05	..NUT, SELF-LOCKING ..ECROU, AUTO-BLOQUANT	2	
9	6CJ-42615-00	..SEAL ..JOINT	1	
10	6BG-42662-00	..DAMPER ..AMORTISSEUR	4	
11	8093510	..LOGO SELVA ..SELVA LOGO	1	
12	8093340	..GRAPHIC, 16V ..ADHESIF, 16V	2	
13	8093435	..GRAPHIC, XSR ..ADHESIF, XSR	2	XSR
14	8093390	..GRAPHIC, 70 ..ADHESIF, 70	2	
15	8093310	..GRAPHIC, LEFT ..ADHESIF, GOUCHE	1	
	8093405	..GRAPHIC, LEFT ..ADHESIF, GOUCHE	1	XSR
16	8093315	..GRAPHIC, RIGHT ..ADHESIF, DROIT	1	
	8093410	..GRAPHIC, RIGHT ..ADHESIF, DROIT	1	XSR
17	8093320	..GRAPHIC, MURENA ..ADHESIF, MURENA	2	
18	8093516	..S. MARK ..MARQUE, S	1	
	1534485	..GRAPHIC, SET ..JEU DIEMBLEMES	1	
	1534635	..GRAPHIC, SET ..JEU DIEMBLEMES	1	XSR



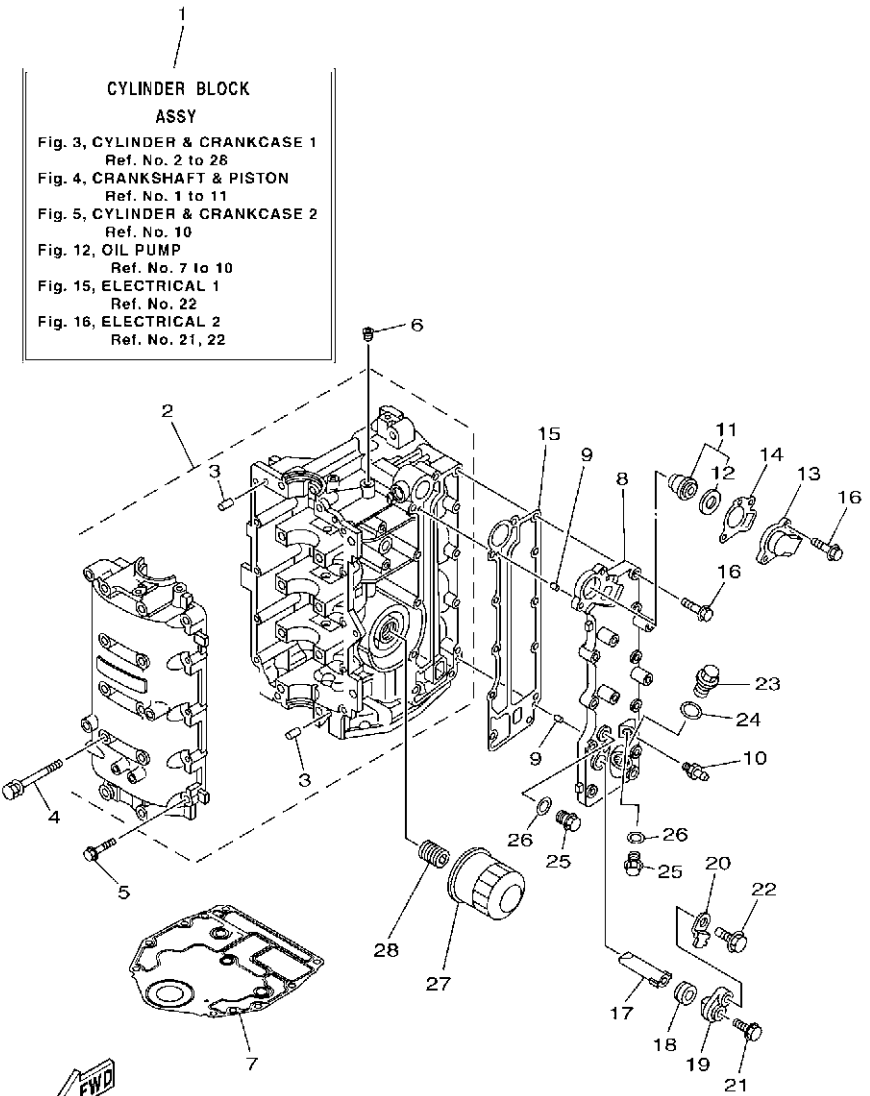
**FIG. 3 CYLINDER & CRANKCASE 1**

**CYLINDRE & CARTER 1**

REF. NO.	PART NO. N° PIECES	DESCRIPTION DESCRIPTION	6CJA			REMARKS REMARQUES
1	6CJ-W009B-03-9S	CYLINDER BLOCK ASSY CYLINDRE GROUPE (ENS.)	1			
2	6CJ-15100-01	CRANKCASE ASSY CARTER DE MOTEUR COMPLET	1			
3	93606-12019	.PIN, DOWEL .GOUPILLE	4			
4	90119-08154	BOLT, WITH WASHER BOULON, AVEC RONDELLE	10			
5	97513-06535	BOLT, WITH WASHER VIS HEXAGONAL AVC RONDELLE	10			
6	90344-51003	PLUG, TAPER SCREW PLOT, FILETE CONIQUE	1			
7	6BG-11351-00	GASKET, CYLINDER JOINT, D'EMBASE	1			
8	6C5-41113-11-9S	OUTER COVER, EXHAUST COUVERCLE, ECHAPPEMENT	1			
9	93604-10M03	PIN, DOWEL CLAVETTE	2			
10	62Y-12481-10	PIPE 1 DURITE 1	1			
11	6G8-12411-03	THERMOSTAT THERMOSTAT	1			
12	688-12412-00	.SEAL, THERMOSTAT .JOINT, THERMOSTAT	1			
13	6C5-12413-00-9S	COVER, THERMOSTAT COUVERCLE, THERMOSTAT	1			
14	62Y-12414-00	GASKET, COVER JOINT, COUVERCLE	1			
15	6C5-41114-10	GASKET, EXHAUST OUTER COVER JOINT, COUVERCLE D'ECHAPPEMENT	1			
16	90119-06MA5	BOLT, WITH WASHER BOULON, AVEC RONDELLE	12			
17	62Y-11325-00	ANODE ANODE	1			
18	66M-11328-00	GROMMET, ANODE PASSE-FIL	1			
19	66M-11327-00-94	COVER, ANODE COUVERCLE ANODE	1			
20	66M-12535-00	PLATE PLAQUE	1			
21	97595-05512	BOLT, WITH WASHER VIS HEXAGONAL AVC RONDELLE	1			
22	97E95-06520	BOLT, HEXAGON W/W DEEP RECESS VIS HEXAGONAL AVC RONDELLE	1			
23	90340-18M09	PLUG, STRAIGHT SCREW PLOT, FILETE DROIT	1			
24	90201-186F1	WASHER, PLATE RONDELLE, PLATE	1			
25	90340-14M06	PLUG, STRAIGHT SCREW PLOT, FILETE DROIT	2			
26	90430-14115	GASKET JOINT	2			
27	5GH-13440-60	ELEMENT ASSY, OIL CLEANER ELEMENT, FILTRE A HUILE	1			

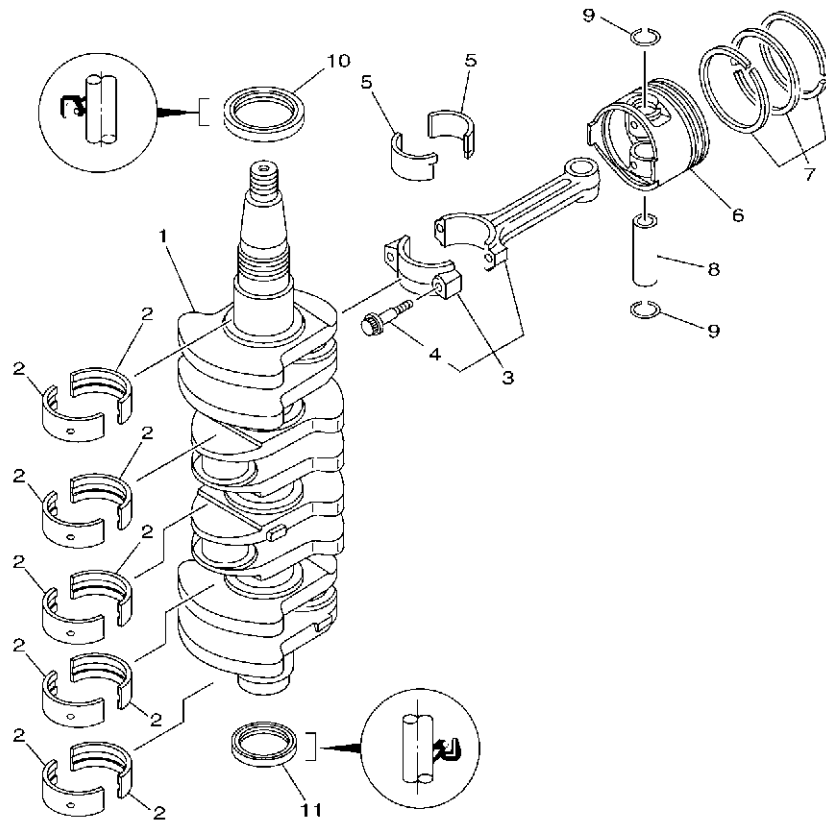
**FIG. 3 CYLINDER & CRANKCASE 1**

**CYLINDRE & CARTER 1**



6CJ9100-S030

REF. NO.	PART NO. N° PIECES	DESCRIPTION DESCRIPTION	6CJA			REMARKS REMARQUES
28	6C5-12858-A0	BOLT, UNION BOULON, RACCORD	1			



**FWD**  
6C17110-K030

**FIG. 4 CRANKSHAFT & PISTON**

**VILEBREQUIN & PISTON**

REF. NO.	PART NO. N° PIECES	DESCRIPTION DESCRIPTION	6CJA	REMARKS REMARQUES
1	6C5-11411-10	CRANKSHAFT VILEBREQUIN COMPLET	1	
2	6BG-11416-00	PLANE BEARING, CRANKSHAFT 1 COUSSINET DE VILEBREQUIN 1	10	UR YELLOW UR YELLOW
	6BG-11416-10	PLANE BEARING, CRANKSHAFT 1 COUSSINET DE VILEBREQUIN 1	10	UR RED UR RED
	6BG-11416-20	PLANE BEARING, CRANKSHAFT 1 COUSSINET DE VILEBREQUIN 1	10	UR PINK UR PINK
	6BG-11416-30	PLANE BEARING, CRANKSHAFT 1 COUSSINET DE VILEBREQUIN 1	10	UR GREEN UR GREEN
3	6C5-11650-10	CONNECTING ROD ASSY BIELLE COMPLETE	4	
4	6C5-11654-00	.BOLT, CONNECTING ROD .BOULON, BIELLE	2	
5	6CJ-11656-00	PLANE BEARING, CONNECTING ROD ROULEMENT DE BIELLE	8	UR YELLOW UR YELLOW
	6CJ-11656-10	PLANE BEARING, CONNECTING ROD ROULEMENT DE BIELLE	8	UR RED UR RED
	6CJ-11656-20	PLANE BEARING, CONNECTING ROD ROULEMENT DE BIELLE	8	UR PINK UR PINK
	6CJ-11656-30	PLANE BEARING, CONNECTING ROD ROULEMENT DE BIELLE	8	UR GREEN UR GREEN
6	6CJ-11631-00-96	PISTON (STD) PISTON (STD)	4	
	6CJ-11635-00	PISTON (0.25MM O/S) PISTON (0.25MM O/S)	4	AP AP
	6CJ-11636-00	PISTON (0.50MM O/S) PISTON (0.50MM O/S)	4	AP AP
7	67C-11603-00	PISTON RING SET (STD) JEU DE SEGMENTS (STD)	4	
	67C-11604-00	PISTON RING SET (0.25MM O/S) JEU DE SEGMENTS (0.25MM O/S)	4	AP AP
	67C-11605-00	PISTON RING SET (0.50MM O/S) JEU DE SEGMENTS (0.50MM O/S)	4	AP AP
8	62Y-11633-00	PIN, PISTON AXE, PISTON	4	
9	93450-17129	CIRCLIP CIRCLIP	8	
10	93102-43004	OIL SEAL JOINT SPY	1	
11	93101-35002	OIL SEAL JOINT SPY	1	

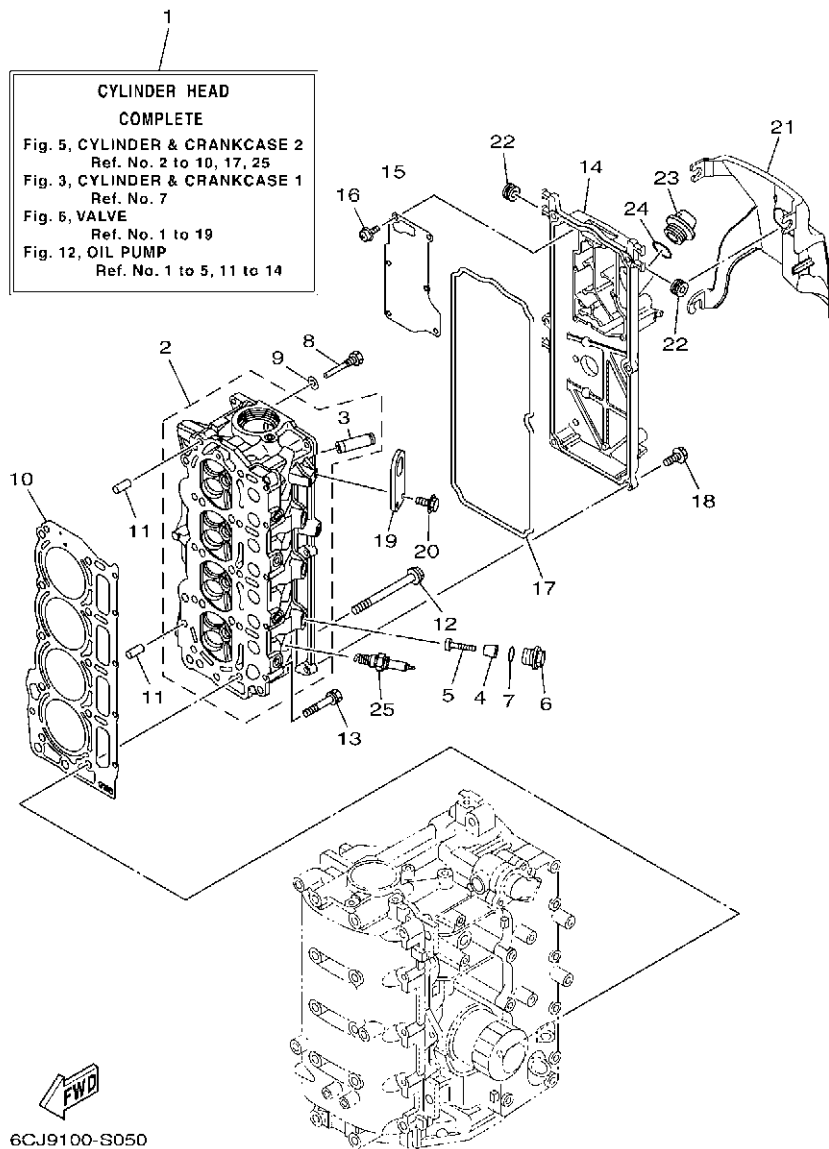


FIG. 5 CYLINDER & CRANKCASE 2

CYLINDRE & CARTER 2

REF. NO.	PART NO. N° PIECES	DESCRIPTION DESCRIPTION	6CJA				REMARKS REMARQUES
1	6CJ-W009A-01-9S	CYLINDER HEAD COMPLETE CULASSE (ENS.)	1				
2	6CJ-11111-10-9S	HEAD, CYLINDER 1 CULASSE, 1	1				
3	6AH-11133-10	.GUIDE, VALVE 1 .GUIDE, SOUPEPE 1	16				
4	6G8-11325-00	ANODE ANODE	3				
5	98980-05025	SCREW, BIND VIS, DE PRESSION	3				
6	6G8-11197-A0	PLUG, BLIND PLOT, BORGNE	3				
7	93210-13M63	O-RING JOINT TORIQUE	3				
8	90109-06M65	BOLT BOULON	1				
9	90430-06014	GASKET JOINT	1				
10	6CJ-11181-00	GASKET, CYLINDER HEAD 1 JOINT, DE CULASSE 1	1				
11	99530-08012	PIN, DOWEL GOUJON, D'ASSEMBLAGE	2				
12	90105-09009	BOLT, FLANGE BOULON, A COLLERETTE	10				
13	90119-06MA6	BOLT, WITH WASHER BOULON, AVEC RONDELLE	5				
14	6CJ-11191-00-9S	COVER, CYLINDER HEAD 1 COUVERCLE, CULASSE 1	1				
15	6C5-11168-00	COVER, BREATHER COUVERCLE, RENIFLARD	1				
16	97607-04210	SCREW, WITH WASHER VIS, AVEC RONDELLE	6				
17	6CJ-11356-00	SEAL, CYLINDER 2 JOINT, SPY CYLINDRE	1				
18	97E95-06520	BOLT, HEXAGON W/W DEEP RECESS VIS HEXAGONAL AVC RONDELLE	6				
19	6CJ-11119-00	HANGER, ENGINE ANNEAU, LEVAGE	1				
20	97E95-06520	BOLT, HEXAGON W/W DEEP RECESS VIS HEXAGONAL AVC RONDELLE	2				
21	6CJ-11192-00	COVER, CYLINDER HEAD 2 COUVERCLE, CULASSE 2	1				
22	90480-12314	GROMMET PASSE-FIL	3				
23	6G8-15363-00	PLUG, OIL PLOT, HUILE	1				
24	93210-24M79	O-RING JOINT TORIQUE	1				
25	94702-00429	PLUG, SPARK (NGK LKR7E) BOUGIE D,ALLUMAGE (NGK LKR7E)	4				



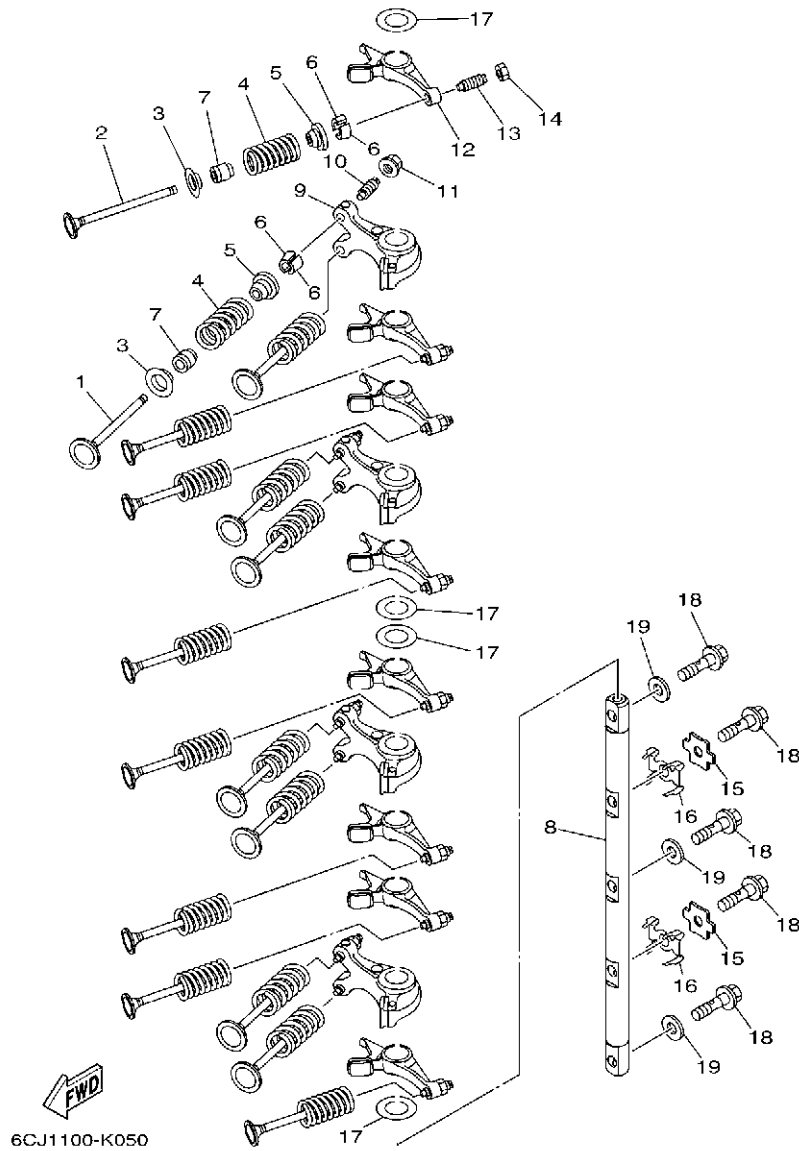


FIG. 6 VALVE

SOUPAPE

REF. NO.	PART NO. N° PIECES	DESCRIPTION DESCRIPTION	6CJA				REMARKS REMARQUES
1	6CJ-12111-00	VALVE, INTAKE SOUPAPE, ADMISSION	8				
2	6CJ-12121-10	VALVE, EXHAUST SOUPAPE, ECHAPPEMENT	8				
3	6CJ-12116-00	SEAT, VALVE SPRING SIEGE, RESSORT DE SOUPAPE	16				
4	6CJ-12113-00	SPRING, VALVE INNER RESSORT DE SOUPAPE, INTERNE	16				
5	3LD-12117-00	RETAINER, VALVE SPRING BUTEE DE RESSORT DE SOUPAPE	16				
6	3LD-12118-00	LOCK, VALVE SPRING RETAINER FRAISE, SOUPAPE	32				
7	51Y-12119-00	SEAL, VALVE STEM JOINT, QUEUE DE SOUPAPE	16				
8	6CJ-12146-00	SHAFT, ROCKER AXE, CULBUTEUR	1				
9	6CJ-12151-00	ARM, VALVE ROCKER CULBUTEUR	4				
10	6C5-12159-00	SCREW, VALVE ADJUSTING VIS, REGLAGE DE SOUPAPE	8				
11	6C5-12158-00	NUT, LOCK CONTRE-ECROU	8				
12	6CJ-12161-00	ARM, VALVE ROCKER 2 CULBUTEUR 2	8				
13	64J-12159-00	SCREW, VALVE ADJUSTING VIS, REGLAGE DE SOUPAPE	8				
14	62Y-12158-00	NUT, LOCK CONTRE-ECROU	8				
15	6CJ-12231-00	GUIDE, STOPPER 1 GUIDE, BUTEE 1	2				
16	6CJ-12233-00	PLATE, GUIDE STOPPER 1 PLAQUE, GUIDE BUTEE 1	2				
17	90201-16014	WASHER, PLATE RONDELLE, PLATE	4				
18	90401-08011	BOLT, UNION BOULON, RACCORD	5				
19	92990-08200	WASHER, PLAIN RONDELLE, PLATE	3				

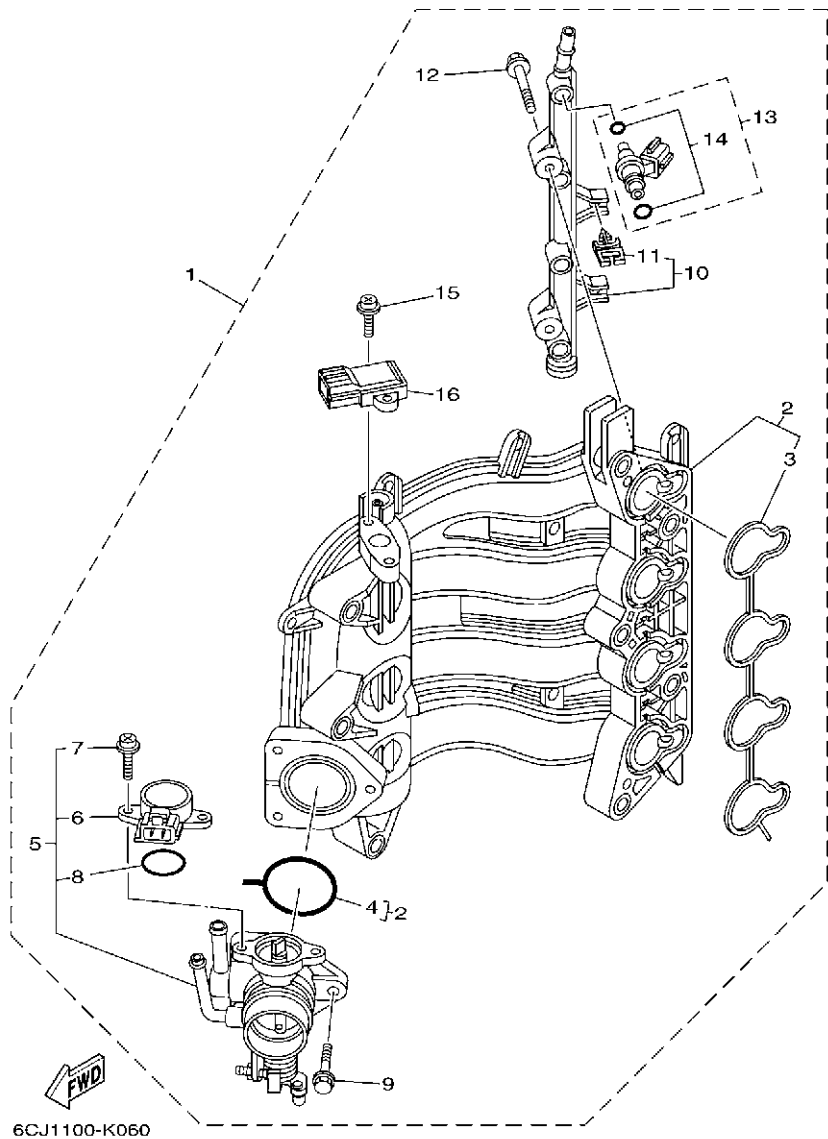


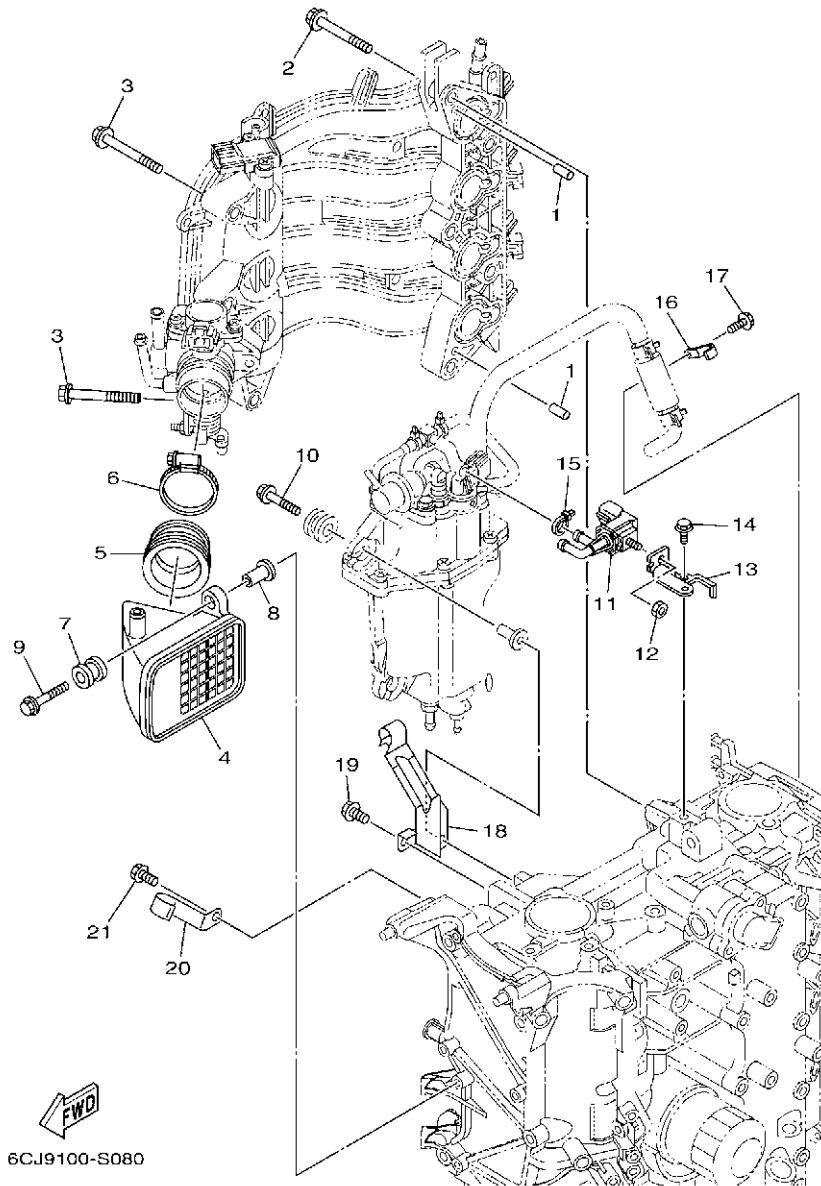
FIG. 7 INTAKE 1

ADMISSION 1

REF. NO.	PART NO. N° PIECES	DESCRIPTION DESCRIPTION	6CJA				REMARKS REMARQUES
1	6CJ-14200-02	INTAKE ASSY ADMISSION (ENS.)	1				
2	6CJ-13641-01	.MANIFOLD, INTAKE 1 .TUBULURE, ADMISSION 1	1				
3	6C5-13645-00	..GASKET, MANIFOLD 1 ..JOINT, TUBULURE 1	1				
4	6C5-13557-00	..GASKET ..JOINT	1				
5	6CJ-13750-01	.THROTTLE BODY ASSY .CARTER D'ACCELERATEUR COMPLET	1				
6	6C5-85885-00	..THROTTLE SENSOR ASSY ..SENSITOMETRE (ENS.)	1				
7	6C5-81145-00	..SCREW 1 ..VIS 1	2				
8	6C5-8182L-00	..O-RING 1 ..JOINT TORIQUE 1	1				
9	6C5-14496-00	.BOLT .BOULON	3				
10	6C5-13161-00	.PIPE, DELIVERY 1 .DURITE REFOULEMENT 1	1				
11	90464-07M56	..CLAMP ..BRIDE	2				
12	6C5-14446-00	.BOLT .BOULON	2				
13	6C5-13761-00	.INJECTOR .INJECTEUR	4				
14	6C5-1410B-00	..PACKING KIT ..POCHETTE DE JOINTS	1				
15	6C5-81146-10	.SCREW 2 .VIS 2	2				
16	68F-83688-00	.SENSOR ASSY ..SONDE (ENS.)	1				

FIG. 8 INTAKE 2

ADMISSION 2

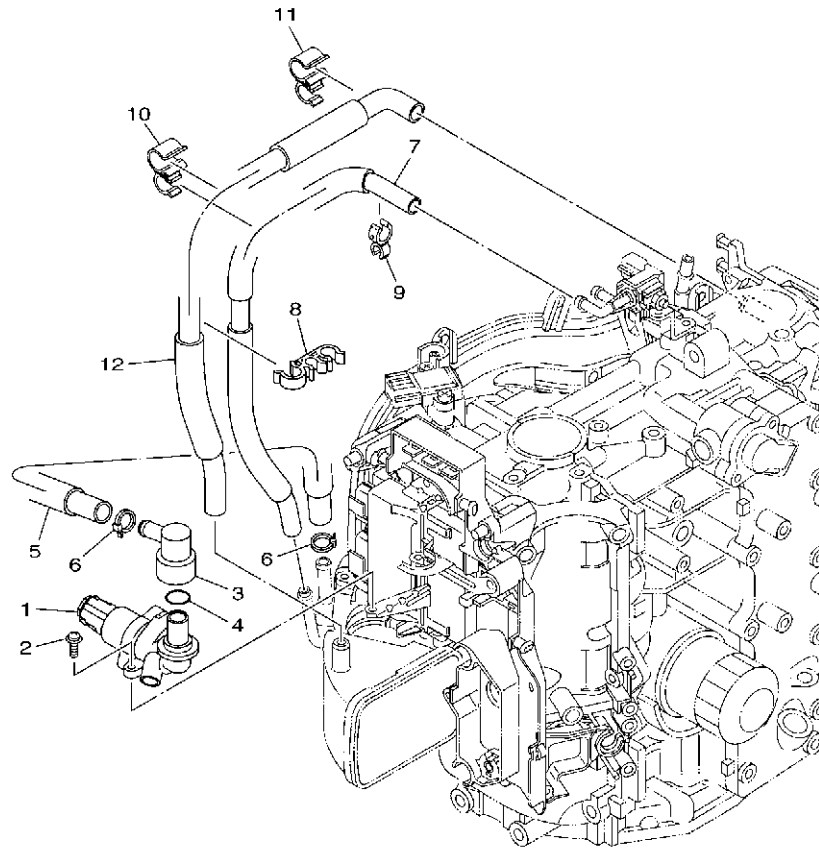


6CJ9100-S080

REF. NO.	PART NO. N° PIECES	DESCRIPTION DESCRIPTION	6CJA			REMARKS REMARQUES
1	93608-12M05	PIN, DOWEL AXE	2			
2	90119-08069	BOLT, WITH WASHER BOULON, AVEC RONDELLE	5			
3	90119-06087	BOLT, WITH WASHER BOULON, AVEC RONDELLE	5			
4	6C5-14440-10	SILENCER ASSY, INTAKE SIENCIEUX D'ADMISSION	1			
5	6C5-14453-01	JOINT, AIR CLEANER 1 RACCORD, FILTRE A AIR 1	1			
6	90450-50001	HOSE CLAMP ASSY BRIDE, DE DURITE	1			
7	6A0-82317-00	DAMPER, IGNITION COIL AMORTISSEUR, BOBINE D'ALLUM	2			
8	90387-06119	COLLAR COLLERETTE	2			
9	90119-06126	BOLT, WITH WASHER BOULON, AVEC RONDELLE	2			
10	90119-06M61	BOLT, WITH WASHER BOULON, AVEC RONDELLE	3			
11	6C5-86120-00	SOLENOID VALVE ASSY SOLENOIDE	1			
12	95380-06600	NUT, HEXAGON ECROU	1			
13	6BG-86112-10	STAY, SOLENOID SUPPORT, SOLENOIDE	1			
14	97E95-06516	BOLT, HEXAGON W/W DEEP RECESS VIS HEXAGONAL AVC RONDELLE	1			
15	90465-11M10	CLAMP BRIDE	1			
16	6CJ-13428-00	BRACKET, STRAINER 1 SUPPORT, FILTRE 1	1			
17	97E95-06516	BOLT, HEXAGON W/W DEEP RECESS VIS HEXAGONAL AVC RONDELLE	1			
18	6C5-15378-00	HOLDER SUPPORT	1			
19	97E95-06514	BOLT, HEXAGON W/W DEEP RECESS VIS HEXAGONAL AVC RONDELLE	1			
20	6C5-15378-11	HOLDER SUPPORT	1			
21	97E95-06516	BOLT, HEXAGON W/W DEEP RECESS VIS HEXAGONAL AVC RONDELLE	1			

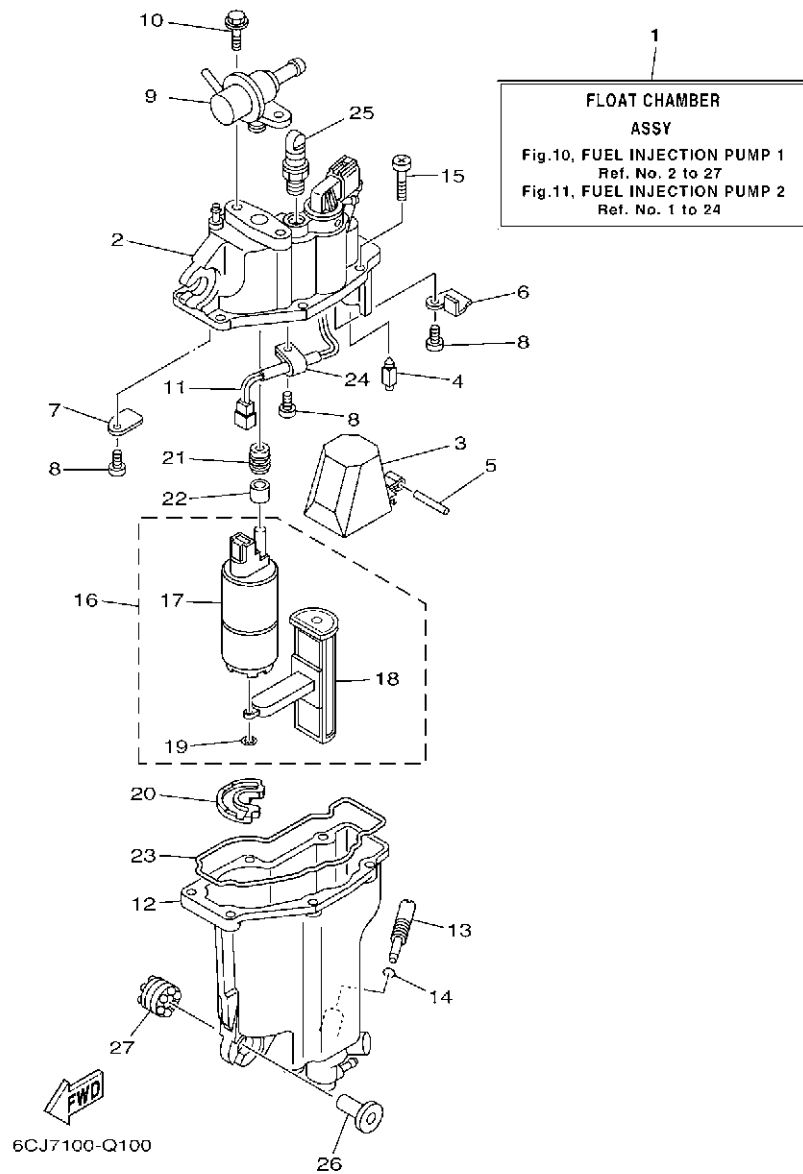
FIG. 9 INTAKE 3

ADMISSION 3



  
6CJ1100-K080

REF. NO.	PART NO. N° PIECES	DESCRIPTION DESCRIPTION	6CJ/A				REMARKS REMARQUES
1	6C5-13713-00	VALVE, IDLE SPEED CONTROL SOUPAPE, AJUSTEMENT DE VITESSE	1				
2	97980-05214	SCREW, WITH WASHER VIS, AVEC RONDELLE	2				
3	6CJ-11372-00	NIPPLE, HOSE RACCORD, TUYAU	1				
4	93210-33003	O-RING JOINT TORIQUE	1				
5	6CJ-13543-00	HOSE, AIR DURITE, A AIR	1				
6	90465-11M10	CLAMP BRIDE	2				
7	6CJ-12576-00	HOSE 1 TUYAU 1	1				
8	90464-15008	CLAMP BRIDE	1				
9	90464-12006	CLAMP BRIDE	1				
10	90464-15007	CLAMP BRIDE	1				
11	90464-15007	CLAMP BRIDE	1				
12	6CJ-1531A-00	HOSE, BREATHER 1 DURITE DE RENIFLARD 1	1				



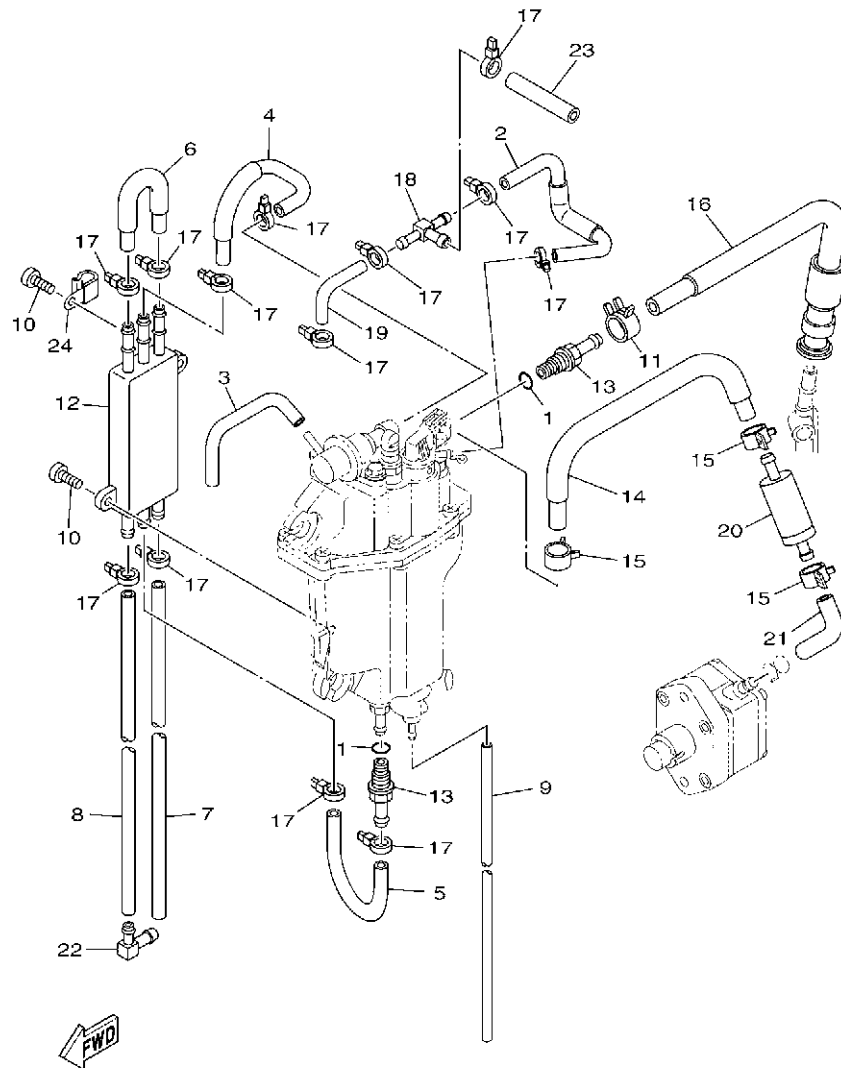
**FIG. 10 FUEL INJECTION PUMP 1**

**POMPE A INJECTEUR 1**

REF. NO.	PART NO. N° PIECES	DESCRIPTION DESCRIPTION	6CJA				REMARKS REMARQUES
1	6CJ-14180-03	FLOAT CHAMBER ASSY CUVE DE FLOTTEUR	1				
2	6C5-14182-20	COVER, FLOAT CHAMBER COUVERCLE, CUVE DE FLOTTEUR	1				
3	6C5-14985-00	FLOAT FLOTTEUR	1				
4	6C5-14546-10	VALVE, NEEDLE POINTEAU	1				
5	6C5-14386-00	PIN, FLOAT AXE, FLOTTEUR	1				
6	6C5-2441R-10	PLATE, BAFFLE 1 SEPARATEUR 1	1				
7	6C5-2441T-10	PLATE, BAFFLE 2 SEPARATEUR 2	1				
8	6C5-24453-00	SCREW VIS	3				
9	6C5-13906-01	REGULATOR, PRESSURE REGULATEUR DE PRESSION	1				
10	6C5-24592-00	BOLT BOLTE	2				
11	6C5-87226-00	WIRE HARNESS ASSY ENS. FAISCEAU ELECTRIQUE	1				
12	6C5-14960-20	BODY ASSY CARTER (ENS.)	1				
13	6C5-14191-00	PLUG, DRAIN PLOT, VIDANGE	1				
14	6C5-14397-00	O-RING JOINT TORIQUE	1				
15	6C5-14567-00	SCREW VIS	6				
16	6C5-13910-10	FUEL PUMP ASSY POMPE A ESSENCE COMPLET	1				
17	6C5-13907-00	.FUEL PUMP COMP. .POMPE A CARBURANT COMP.	1				
18	6C5-13915-00	.FILTER .FILTRE	1				
19	6C5-14127-10	.CLIP .JONC	1				
20	6C5-13593-00	DAMPER AMORTISSEUR	1				
21	6C5-13781-00	DAMPER, PUMP AMORTISSEUR, POMPE	1				
22	6C5-13716-00	COLLAR COLLERETTE	1				
23	6C5-14984-10	GASKET, FLOAT CHAMBER JOINT, CUVE DE FLOTTEUR	1				
24	6C5-21337-10	CLAMP, CABLE COLLIER, CABLE	1				
25	6C5-14225-00	CAP COUVERCLE	1				
26	90387-06M03	COLLAR COLLERETTE	3				
27	69L-85516-00	SPACER ENTRETOISE	3				

FIG. 11 FUEL INJECTION PUMP 2

POMPE A INJECTEUR 2

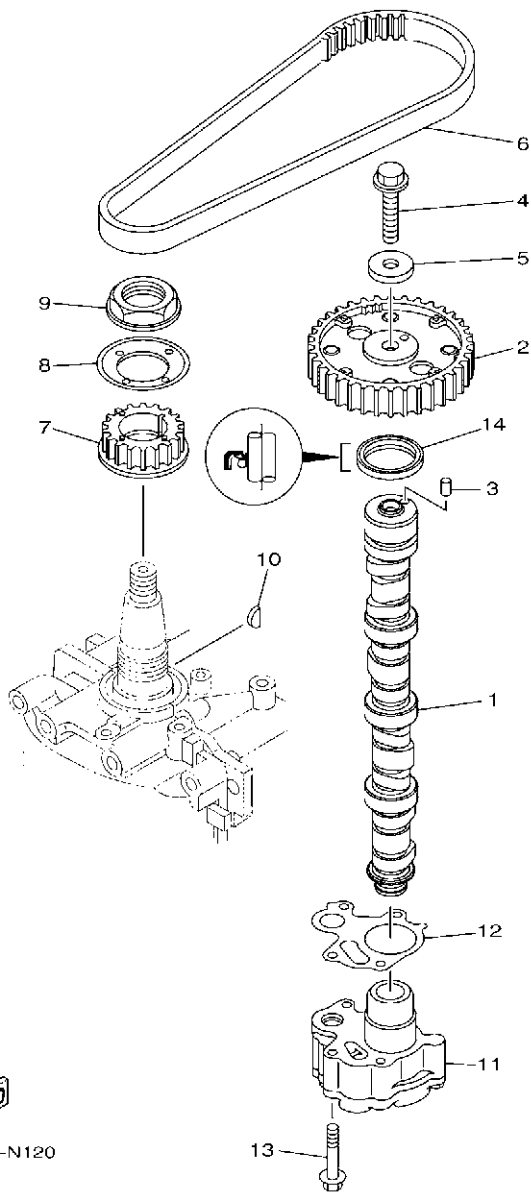


6CJ7100-Q110

REF. NO.	PART NO. N° PIECES	DESCRIPTION DESCRIPTION	6CJA				REMARKS REMARQUES
1	6C5-13739-00	O-RING JOINT TORIQUE	2				
2	6CJ-13546-00	HOSE 2 DURITE 2	1				
3	6C5-13542-00	HOSE, VACUUM SENSING 1 DURITE, SOUS VIDE DETECTION 1	1				
4	6CJ-24321-00	PIPE 10 DURITE 10	1				
5	6C5-24322-00	PIPE 11 DURITE 11	1				
6	6CJ-24323-00	PIPE 12 DURITE 12	1				
7	6CJ-24324-00	PIPE 13 DURITE 13	1				
8	6CJ-24325-00	PIPE 14 DURITE 14	1				
9	6BG-14149-00	PIPE DURITE	1				
10	6C5-24444-00	SCREW VIS	2				
11	6C5-13577-00	CLIP AGRAFE	1				
12	6C5-21841-01	COOLER RADIATEUR	1				
13	6C5-14251-00	NIPPLE RACCORD	2				
14	6C5-14148-00	PIPE DURITE	1				
15	6BG-24387-00	CLIP SANDOW	3				
16	6CJ-13974-10	PIPE, FUEL 4 TUBE 4, CARBURANT	1				
17	90465-11M10	CLAMP BRIDE	13				
18	6C5-24379-00	PIPE, JOINT 4 DURITE RACCORDEMENT 4	1				
19	6BG-13545-00	HOSE 1 DURITE 1	1				
20	6C5-24251-00	STRAINER 1 FILTRE 1	1				
21	6CJ-2451B-00	HOSE, FUEL INLET DURITE	1				
22	6C5-1410F-00	NIPPLE, 1 RACCORD, 1	1				
23	6C5-13547-00	HOSE 3 DURITE 3	1				
24	90465-08M83	CLAMP BRIDE	1				

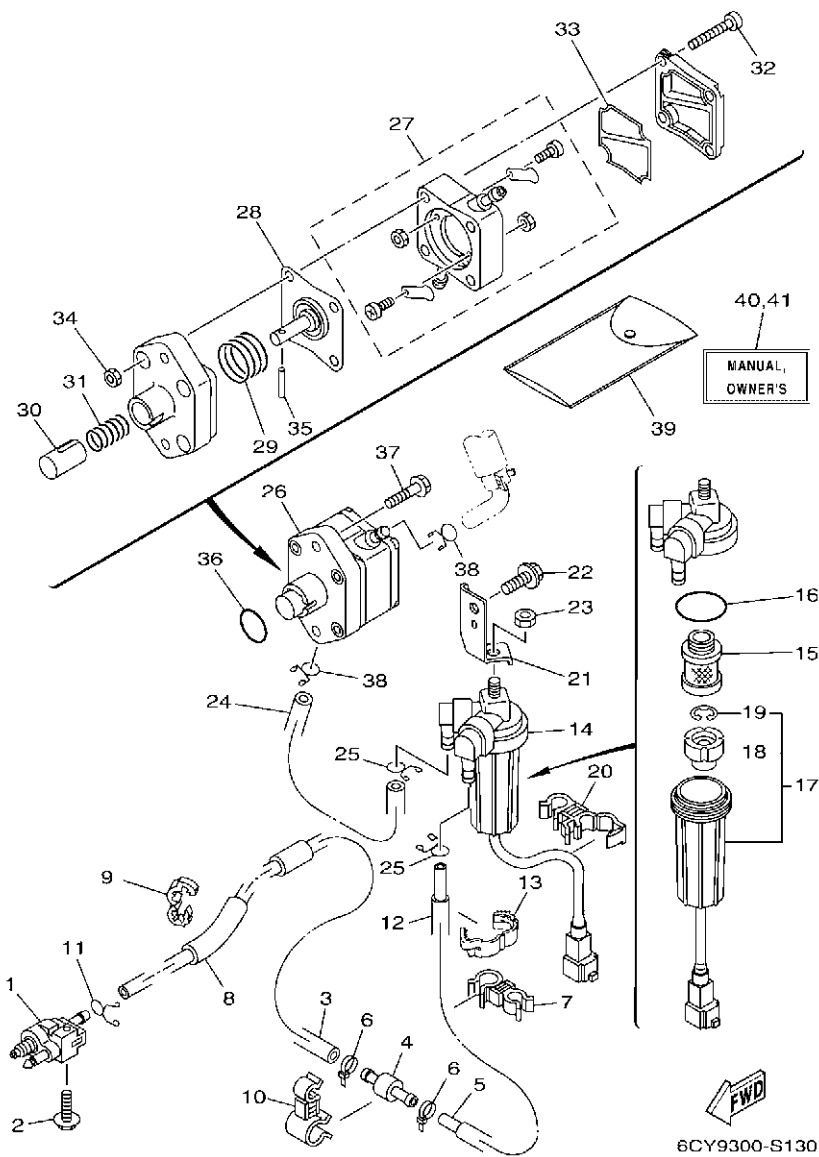
FIG. 12 OIL PUMP

POMPE A HUILE



6CJ5100-N120

REF. NO.	PART NO. N° PIECES	DESCRIPTION DESCRIPTION	6CJA				REMARKS REMARQUES
1	6CJ-12171-00	CAMSHAFT 1 ARBRE A CAMES 1	1				
2	6C5-11537-10	GEAR, DRIVEN PIGNON SECONDAIRE	1				
3	93605-17002	PIN, DOWEL AXE	1				
4	95817-10035	BOLT, FLANGE BOULON, A COLLERETTE	1				
5	90201-10144	WASHER, PLATE RONDELLE, PLATE	1				
6	6C5-46241-00	BELT COURROIE TRAPEZOIDALE	1				
7	6C5-11536-00	GEAR, DRIVE ENGRENAGE, MENANT	1				
8	62Y-11557-00	WASHER 1 RONDELLE 1	1				
9	90179-35001	NUT ECROU	1				
10	90280-03017	KEY, WOODRUFF CLAVETTE, DEMI-LUNE	1				
11	6CJ-13300-00	OIL PUMP ASSY POMPE A HUILE COMPLETE	1				
12	6C5-13329-00	GASKET, PUMP COVER JOINT, COUVERCLE DE POMPE	1				
13	90119-06025	BOLT, WITH WASHER BOULON, AVEC RONDELLE	4				
14	93102-37M40	OIL SEAL JOINT SPY	1				



6CY9300-S130

FIG. 13 FUEL

CARBURANT

REF. NO.	PART NO. N° PIECES	DESCRIPTION DESCRIPTION	6CJA				REMARKS REMARQUES
1	6G1-24304-10	FUEL PIPE JOINT COMP. 1 DURITE RACCORDEMT. A ESSENCE	1				
2	97E95-06525	BOLT, HEXAGON W/W DEEP RECESS VIS HEXAGONAL AVC RONDELLE	1				
3	6BG-24313-00	PIPE 3 DURITE 3	1				
4	67F-24377-00	PIPE, JOINT 2 DURITE RACCORDEMENT 2	1				
5	90445-133F0	HOSE (L195) DURITE (L195)	1				
6	90465-11M10	CLAMP BRIDE	2				
7	90464-12004	CLAMP BRIDE	1				
8	90446-13M11	HOSE (L65) DURITE (L65)	1				
9	90464-13227	CLAMP BRIDE	1				
10	90464-16017	CLAMP BRIDE	1				
11	90467-09M17	CLIP JONC	1				
12	90446-15006	HOSE (L150) DURITE (L150)	1				
13	90464-14010	CLAMP BRIDE	1				
14	6D8-24560-01	FILTER ASSY ENS FILTRE	1				
15	6D8-24563-00	.ELEMENT, FILTER .ELEMENT, FILTRE	1				
16	6D8-24564-00	.GASKET .JOINT	1				
17	6D8-24562-00	.CUP, FILTER .CUVETTE, FILTRE	1				
18	6D8-24469-00	.FLOAT, WATER LEVEL .FLOTTEUR	1				
19	6D8-24519-00	.CLIP .JONC	1				
20	90464-12012	CLAMP BRIDE	1				
21	6CJ-24566-00	BRACKET, FILTER SUPPORT, FILTRE	1				
22	95D95-08016	BOLT, FLANGE DEEP RECESS BOULON FIXATION	1				
23	95380-08600	NUT ECROU	1				
24	6BG-24311-00	PIPE, FUEL 1 DURITE A ESSENCE	1				
25	90467-11M08	CLIP JONC	2				
26	6CJ-24410-00	FUEL PUMP ASSY POMPE A ESSENCE	1				
27	6CJ-24415-00	.BODY 4 .CORPS 4	1				



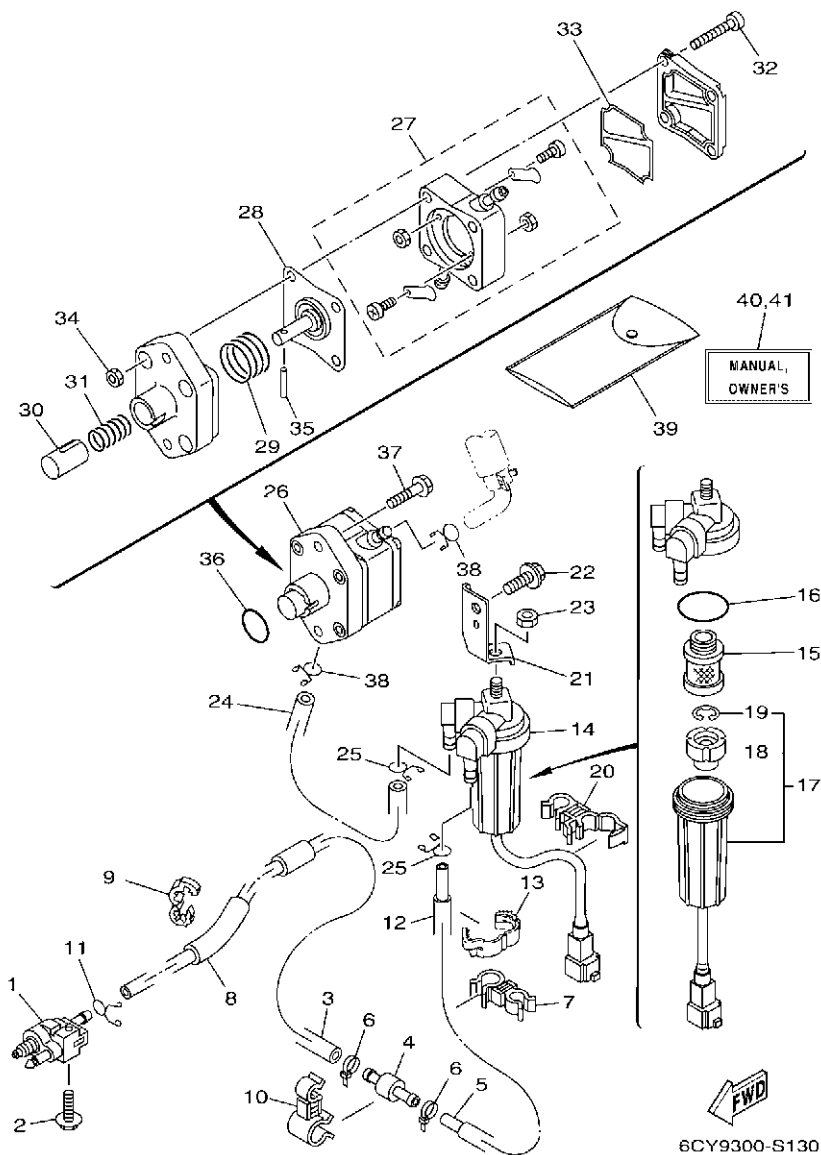


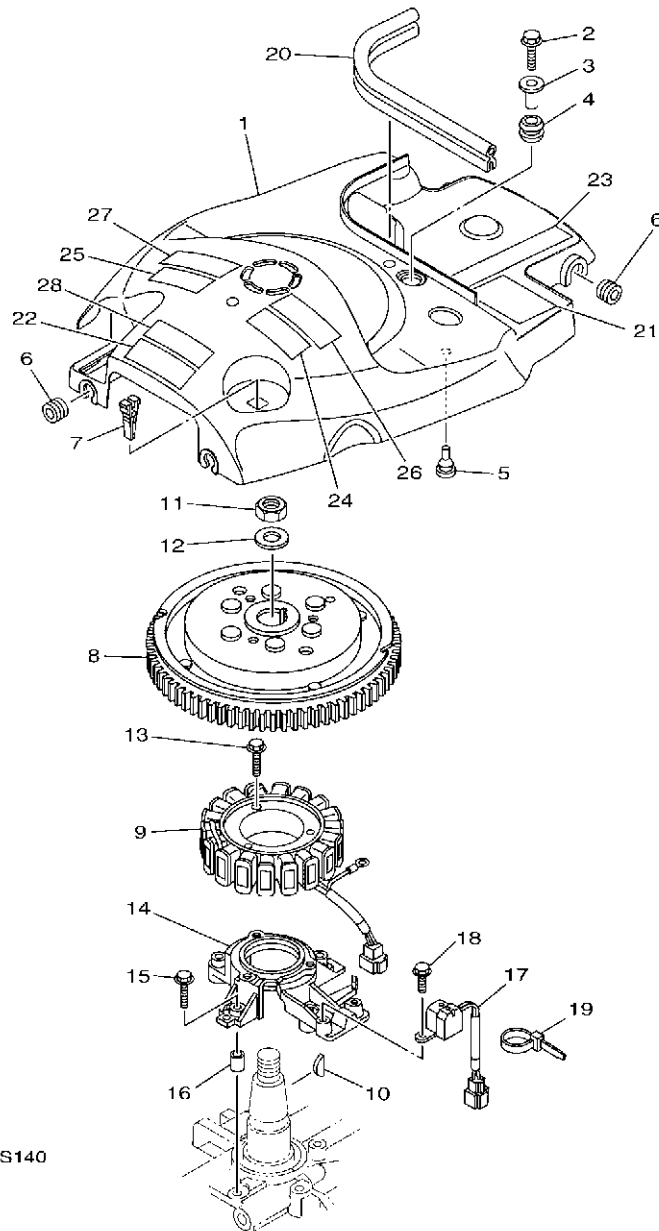
FIG. 13 FUEL

CARBURANT

REF. NO.	PART NO. N° PIECES	DESCRIPTION DESCRIPTION	6CJA		REMARKS REMARQUES
28	62Y-24411-02	.DIAPHRAGM .DIAPHRAGME	1		
29	62Y-24423-00	.SPRING, DIAPHRAGM .RESSORT, DIAPHRAGME	1		
30	6CJ-13131-00	.PLUNGER .PLONGEUR	1		
31	6CJ-24454-00	.SPRING .RESSORT	1		
32	62Y-24444-01	.SCREW .VIS	4		
33	6C5-24471-00	.DIAPHRAGM .DIAPHRAGME	1		
34	95380-05600	.NUT .ECROU	4		
35	6CJ-24374-00	.PIN .GOUPILLE	1		
36	93210-24M79	O-RING JOINT TORIQUE	1		
37	97E95-06530	BOLT, HEXAGON W/W DEEP RECESS VIS HEXAGONAL AVC RONDELLE	2		
38	90467-10M04	CLIP JONC	2		
39	6CJ-28100-00	TOOL KIT TROUSSE A OUTILS	1		AP AP
40	6C1-28199-7H-E0	MANUAL, OWNER'S MANUEL D'UTILISATION	1		UR (E) UR (E)
	6C1-28199-7H-F0	MANUAL, OWNER'S MANUEL D'UTILISATION	1		UR (F) UR (F)
	6C1-28199-7H-S0	MANUAL, OWNER'S MANUEL D'UTILISATION	1		UR (ES) UR (ES)
	6C1-28199-7H-G0	MANUAL, OWNER'S MANUEL D'UTILISATION	1		UR (D) UR (D)
	6C1-28199-7H-D0	MANUAL, OWNER'S MANUEL D'UTILISATION	1		UR (NL) UR (NL)
	6C1-28199-7H-H0	MANUAL, OWNER'S MANUEL D'UTILISATION	1		UR (I) UR (I)
41	6C1-28199-8H-K0	MANUAL, OWNER'S MANUEL D'UTILISATION	1		UR (DK) UR (DK)
	6C1-28199-8H-R0	MANUAL, OWNER'S MANUEL D'UTILISATION	1		UR (GR) UR (GR)
	6C1-28199-8H-P0	MANUAL, OWNER'S MANUEL D'UTILISATION	1		UR (P) UR (P)
	6C1-28199-8H-N0	MANUAL, OWNER'S MANUEL D'UTILISATION	1		UR (N) UR (N)
	6C1-28199-8H-M0	MANUAL, OWNER'S MANUEL D'UTILISATION	1		UR (S) UR (S)
	6C1-28199-8H-L0	MANUAL, OWNER'S MANUEL D'UTILISATION	1		UR (SF) UR (SF)

FIG. 14 GENERATOR

GENERATRICE



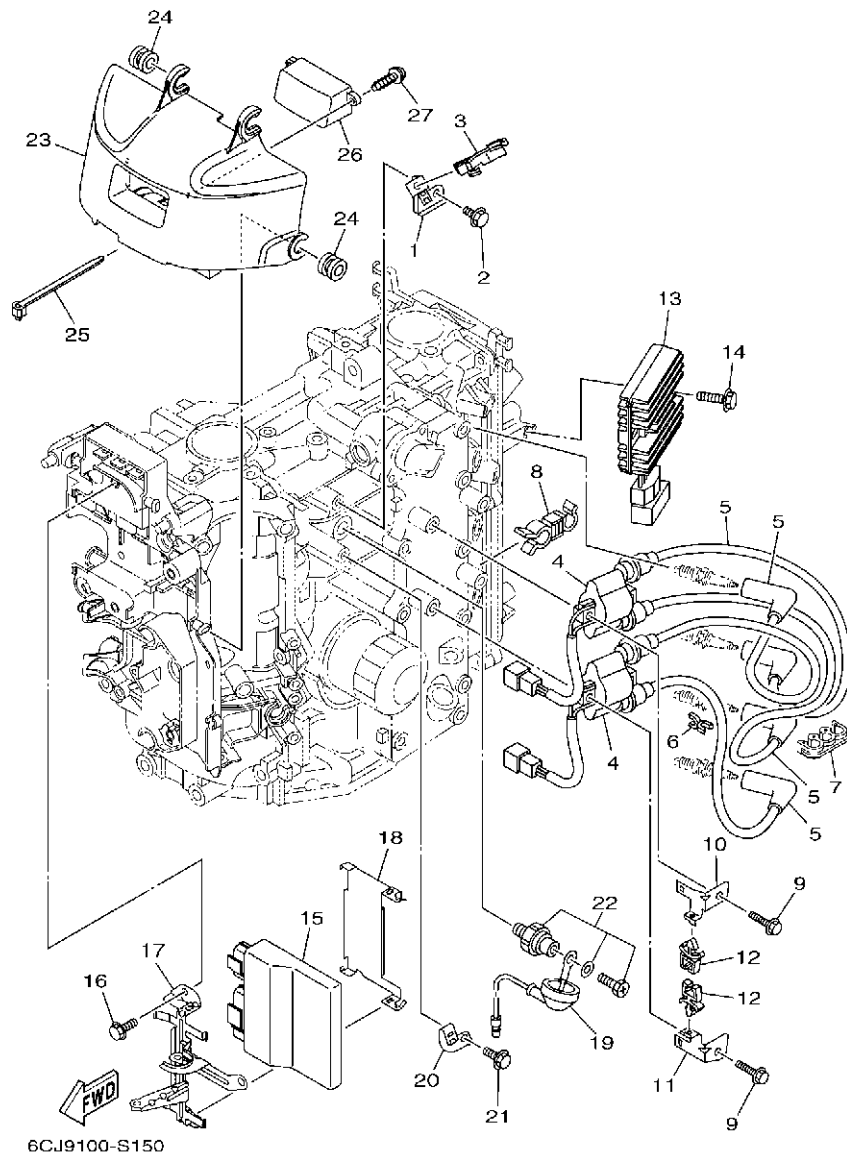
6CY9300-S140

REF. NO.	PART NO. N° PIECES	DESCRIPTION DESCRIPTION	6CJA			REMARKS REMARQUES
1	6CJ-81337-10	COVER, FLYWHEEL COUVERCLE, VOLANT	1			
2	95D95-06020	BOLT, FLANGE DEEP RECESS BOULON FIXATION	1			
3	90387-06285	COLLAR COLLERETTE	1			
4	90480-15M31	GROMMET PASSE-FIL	1			
5	90480-06M19	GROMMET PASSE-FIL	1			
6	90480-12314	GROMMET PASSE-FIL	4			
7	67F-2812A-00	PULLER, FUSE TENDEUR, FUSIBLE	1			
8	6C5-81450-00	ROTOR ASSY ROTOR COMPLET	1			
9	6C5-81410-01	STATOR ASSY STATOR COMPLET	1			
10	6H4-11545-00	KEY, WOODRUFF CLAVETTE, DEMI-LUNE	1			
11	90170-20137	NUT ECROU	1			
12	90201-21M18	WASHER, PLATE RONDELLE, PLATE	1			
13	95023-06030	BOLT BOULON, A COLLERETTE	3			
14	6C5-85561-00	BASE, MAGNETO BASE, MAGNETO	1			
15	95023-06030	BOLT BOULON, A COLLERETTE	4			
16	99530-08012	PIN, DOWEL GOUJON, D'ASSEMBLAGE	2			
17	62Y-85580-00	COIL, PULSER BOBINE, PULSEUR	1			
18	97595-05512	BOLT, WITH WASHER VIS HEXAGONAL AVC RONDELLE	2			
19	90465-13M97	CLAMP BRIDE	1			
20	6BG-42617-00	DAMPER, FORM BOURRELET, CAOUTCHOUC	1			
21	62Y-83626-00	MARK 6 MARK 6	1			
22	6CJ-81919-00	GRAPHIC, REGULATOR ADHESIF, REGULATEUR	1			
23	6C5-13437-63	MARK, CAUTION MAKER	1			
24	6EE-81995-40	LABEL, WARNING ETIQUETTE, AVERTISSEMENT	1			
25	6EE-81995-50	LABEL, WARNING ETIQUETTE, AVERTISSEMENT	1			
26	6EE-81994-40	LABEL, SAFETY ETIQUETTE, SECURITE	1			
27	6EE-81994-50	LABEL, SAFETY ETIQUETTE, SECURITE	1			



FIG. 15 ELECTRICAL 1

PARTIE ELECTRIQUE 1

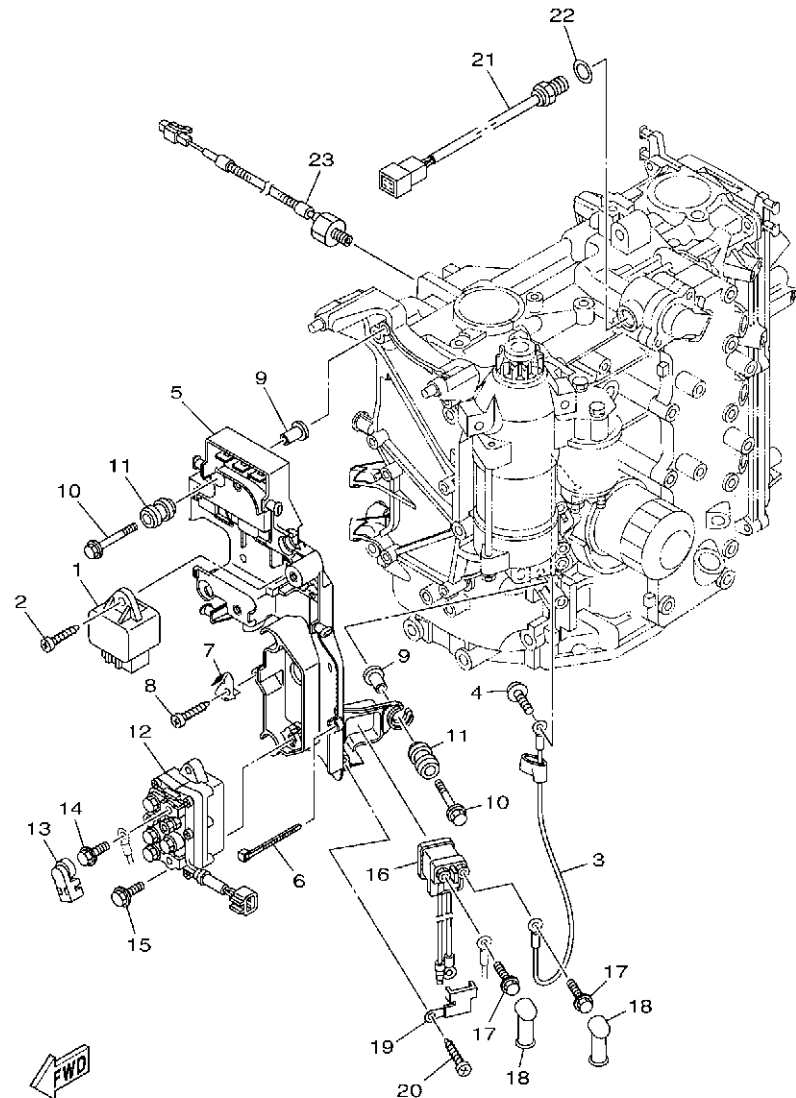


6CJ9100-S150

REF. NO.	PART NO. N° PIECES	DESCRIPTION DESCRIPTION	6CJA				REMARKS REMARQUES
1	6C5-85525-00	PLATE PLAQUE	1				
2	97E95-06514	BOLT, HEXAGON W/W DEEP RECESS VIS HEXAGONAL AVC RONDELLE	1				
3	90464-18246	CLAMP BRIDE	1				
4	63P-82310-01	IGNITION COIL ASSY BOBINE D'ALLUMAGE	2				
5	6CJ-82340-00	HIGH TENSION CORD ASSY 1 CABLE HAUTE TENSION 1	4				
6	90464-07M41	CLAMP BRIDE	1				
7	90464-07M05	CLAMP BRIDE	1				
8	90464-13013	CLAMP BRIDE	1				
9	97E95-06525	BOLT, HEXAGON W/W DEEP RECESS VIS HEXAGONAL AVC RONDELLE	4				
10	6C5-82316-01	BRACKET, IGNITION COIL SUPPORT, BOBINE D'ALLUMAGE	1				
11	6C5-82316-11	BRACKET, IGNITION COIL SUPPORT, BOBINE D'ALLUMAGE	1				
12	90464-06001	CLAMP BRIDE	2				
13	68V-81960-10	RECTIFIER & REGULATOR ASSY REDRESSEUR REGULATEUR CPLT	1				
14	97E95-06525	BOLT, HEXAGON W/W DEEP RECESS VIS HEXAGONAL AVC RONDELLE	2				
15	6CJ-8591A-12	ENGINE CONTROL UNIT ASSY BLOC DE CONTROL	1				
16	97E95-06516	BOLT, HEXAGON W/W DEEP RECESS VIS HEXAGONAL AVC RONDELLE	3				
17	6CJ-82588-00	PLATE PLAQUE	1				
18	6CJ-8253B-00	PLATE, LOCK PLAQUE BUTEE	1				
19	68V-81315-00	LEAD WIRE ASSY FIL	1				
20	6C5-82388-10	PLATE PLAQUETTE	1				
21	97E95-06514	BOLT, HEXAGON W/W DEEP RECESS VIS HEXAGONAL AVC RONDELLE	1				
22	64J-82504-00	OIL PRESSURE SWITCH ASSY CONTACTEUR DE PRESSION D'HUILE	1				
23	6CJ-81942-00	COVER COUVERCLE	1				
24	90480-12314	GROMMET PASSE-FIL	4				
25	90465-13M24	CLAMP BRIDE	1				
26	6CJ-83559-00	COVER, METER COUVERCLE, COMPTEUR	1				
27	90167-05009	SCREW, TAPPING VIS, TETE FRAISEE	2				

FIG. 16 ELECTRICAL 2

PARTIE ELECTRIQUE 2

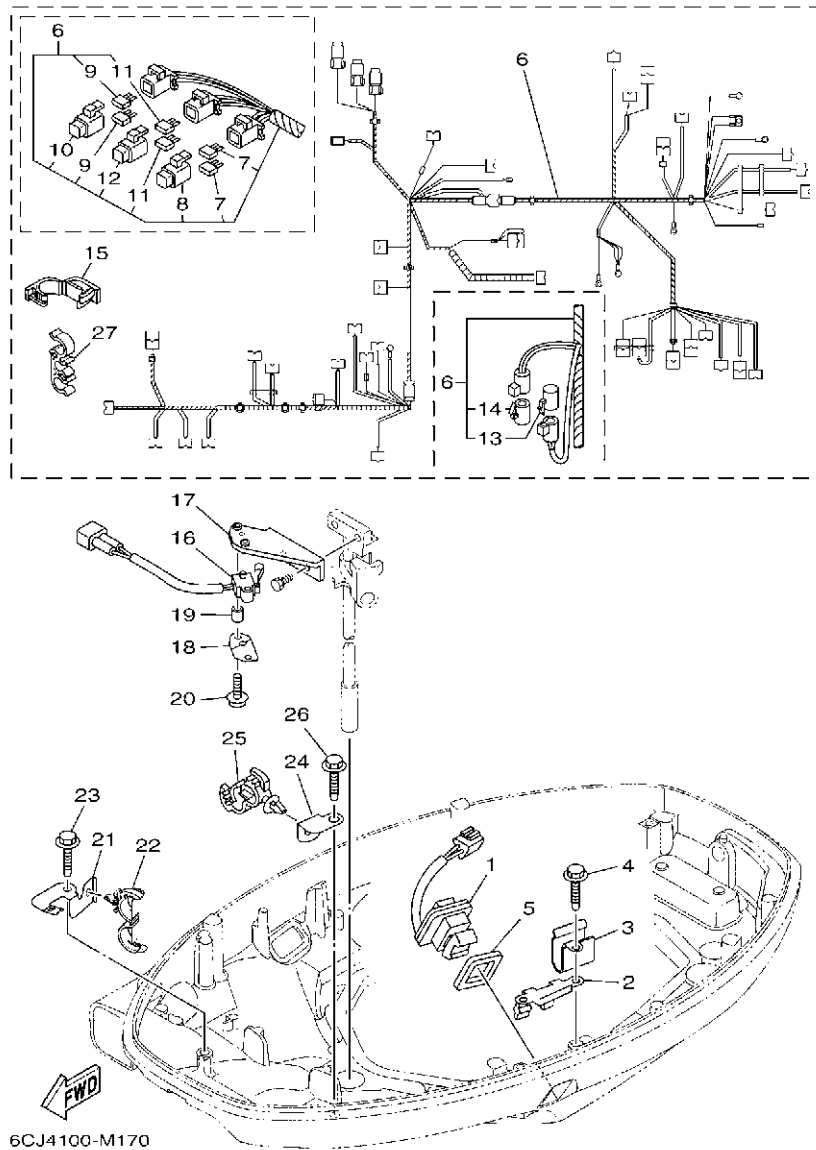


6CJ6110-P160

REF. NO.	PART NO. N° PIECES	DESCRIPTION DESCRIPTION	6CJA				REMARKS REMARQUES
1	60E-81950-00	RELAY ASSY RELAIS COMPLET	1				
2	97780-60620	SCREW, TAPPING VIS, TETE BOMBEE	1				
3	6C5-81815-00	CORD, STARTER MOTOR FIL, DEMARREUR ELECTRIQUE	1				
4	90159-04005	SCREW, WITH WASHER VIS, AVEC RONDELLE	1				
5	6CJ-81948-01	BRACKET SUPPORT	1				
6	90465-13M97	CLAMP BRIDE	4				
7	6CJ-85548-00	HOLDER SUPPORT	1				
8	97780-60620	SCREW, TAPPING VIS, TETE BOMBEE	1				
9	90387-06119	COLLAR COLLERETTE	6				
10	90119-06M59	BOLT, WITH WASHER BOULON, AVEC RONDELLE	6				
11	6A0-82317-00	DAMPER, IGNITION COIL AMORTISSEUR, BOBINE D'ALLUM	6				
12	63P-81950-00	RELAY ASSY RELAIS COMPLET	1				
13	6P2-8183X-00	CAP, TERMINAL COUVERCLE, BORNE	2				
14	97E95-06610	BOLT, HEXAGON W/W DEEP RECESS VIS HEXAGONAL AVC RONDELLE	2				
15	97E95-06520	BOLT, HEXAGON W/W DEEP RECESS VIS HEXAGONAL AVC RONDELLE	2				
16	68V-8194A-00	RELAY RELAIS	1				
17	97E95-06610	BOLT, HEXAGON W/W DEEP RECESS VIS HEXAGONAL AVC RONDELLE	2				
18	6G5-82119-00	COVER, LEAD WIRE GARNITURE, FIL	2				
19	68F-81953-00	STAY, RELAY SUPPORT, RELAIS	1				
20	97780-60620	SCREW, TAPPING VIS, TETE BOMBEE	1				
21	6CJ-85790-00	THERMOSENSOR ASSY SENSITOMETRE	1				
22	90430-14115	GASKET JOINT	1				
23	6CJ-85780-00	SENSOR, KNOCK SONDE DE COGNEMENT	1				

FIG. 17 ELECTRICAL 3

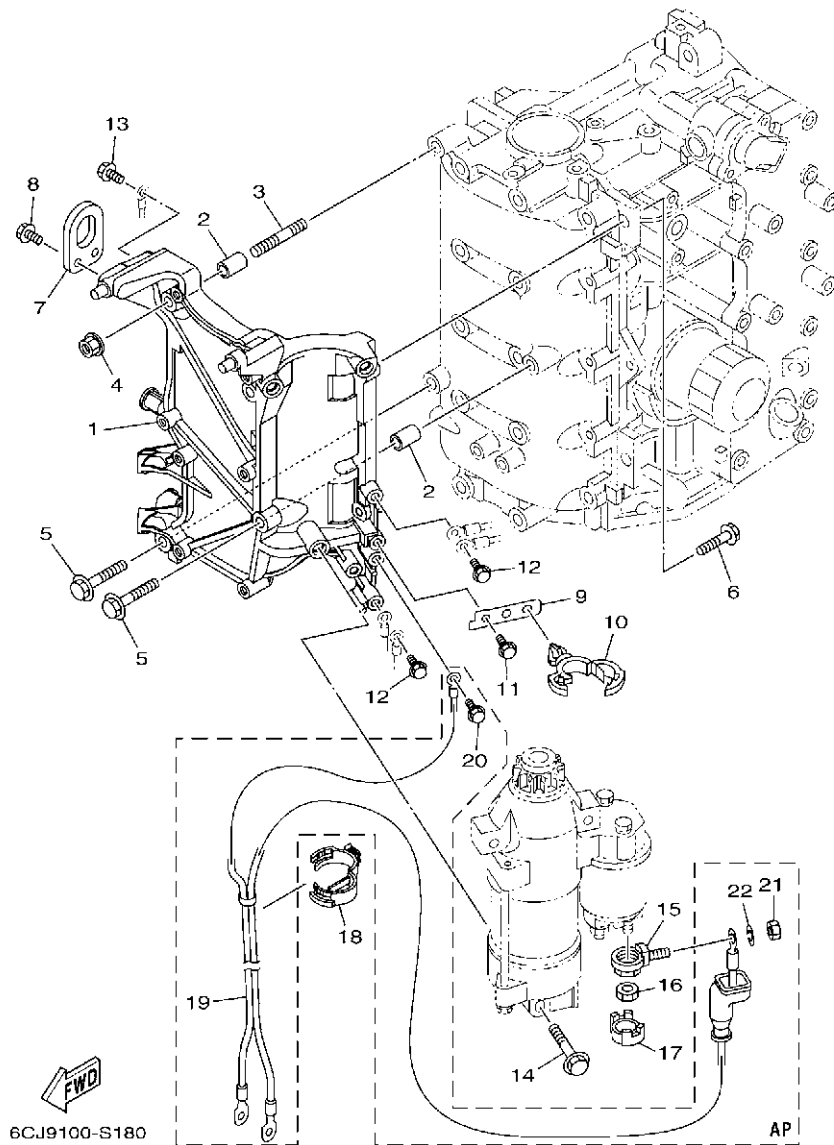
PARTIE ELECTRIQUE 3



REF. NO.	PART NO. N° PIECES	DESCRIPTION DESCRIPTION	6CJA			REMARKS REMARQUES
1	69J-82563-01	TRIM & TILT SWITCH ASSY INCLINER ET PARER COMMUTATEUR	1			
2	6BG-83614-00	BRACKET SUPPORT	1			
3	90465-08M89	CLAMP BRIDE	1			
4	90109-06M86	BOLT BOULON	2			
5	69J-82587-00	GASKET JOINT	1			
6	6CJ-82590-12	WIRE HARNESS ASSY FAISCEAU DE FILS COMPLET	1			FOR TILT LIMIT FOR TILT LIMIT
7	67F-82151-00	.FUSE (20A) .FUSIBLE (20A)	2			
8	67F-8215B-10	.CAP (YELLOW) .BOUCHON (YELLOW)	1			
9	67F-82151-10	.FUSE (30A) .FUSIBLE (30A)	2			
10	67F-8215B-20	.CAP (GREEN) .BOUCHON (GREEN)	1			
11	5JJ-82151-10	.FUSE (15A-BL) .FUSIBLE (15A-BL)	2			
12	67F-8215B-00	.CAP (BLACK) .BOUCHON (NOIR)	1			
13	6DA-82582-00	.CAP 1 (FEMALE) .BOUCHON 1 (FEMME)	1			
14	6DA-82582-10	.CAP 1 (MALE) .BOUCHON 1 (MALE)	1			
15	90464-18004	CLAMP BRIDE	1			
16	60V-8259F-00	SWITCH ASSY COMMUTATEUR	1			
17	6CJ-82554-00	STAY, NEUTRAL SWITCH SUPPORT, CONT DE POINT-MORT	1			
18	61A-82588-01	PLATE PLAQUE	1			
19	90387-04001	COLLAR COLLERETTE	1			
20	97985-04116	SCREW, WITH WASHER VIS, AVEC RONDELLE	2			
21	6BG-42811-01	STAY SUPPORT	1			
22	90464-18205	CLAMP BRIDE	1			
23	90109-06M86	BOLT BOULON	1			
24	63P-42756-00	STAY, CLAMP SUPPORT, COLLIER	1			
25	90464-12183	CLAMP BRIDE	1			
26	90109-06M86	BOLT BOULON	1			
27	90464-15008	CLAMP BRIDE	2			

FIG. 18 ELECTRICAL 4

PARTIE ELECTRIQUE 4



REF. NO.	PART NO. N° PIECES	DESCRIPTION DESCRIPTION	6CJA				REMARKS REMARQUES
1	6CJ-81822-00	BRACKET, STARTING MOTOR SUPPORT, DEMARREUR ELECTRIQUE	1				
2	99530-10114	PIN, DOWEL GOUJON, D'ASSEMBLAGE	2				
3	95680-08330	BOLT, STUD GOUJON	1				
4	90179-08M34	NUT ECROU	1				
5	97E95-08535	BOLT, HEXAGON W/W DEEP RECESS VIS HEXAGONAL AVC RONDELLE	2				
6	97E95-08525	BOLT, HEXAGON W/W DEEP RECESS VIS HEXAGONAL AVC RONDELLE	2				
7	62Y-11119-00	HANGER, ENGINE ANNEAU, LEVAGE	1				
8	97E95-06520	BOLT, HEXAGON W/W DEEP RECESS VIS HEXAGONAL AVC RONDELLE	2				
9	6CJ-85525-00	PLATE PLAQUE	1				
10	90464-20181	CLAMP BRIDE	1				
11	97E95-06516	BOLT, HEXAGON W/W DEEP RECESS VIS HEXAGONAL AVC RONDELLE	1				
12	97E95-06516	BOLT, HEXAGON W/W DEEP RECESS VIS HEXAGONAL AVC RONDELLE	2				
13	97E95-06516	BOLT, HEXAGON W/W DEEP RECESS VIS HEXAGONAL AVC RONDELLE	1				
14	97513-08545	BOLT, WITH WASHER VIS HEXAGONAL AVC RONDELLE	3				
15	60V-81925-00	TERMINAL BORNE	1				
16	90179-08003	NUT ECROU	1				
17	68F-82582-00	CAP,1 COUVERCLE 1	1				
18	90464-30003	CLAMP BRIDE	1				
19	6C5-82105-U1	BATTERY CABLE CABLE DE BATTERIE	1				AP
20	97E95-06516	BOLT, HEXAGON W/W DEEP RECESS VIS HEXAGONAL AVC RONDELLE	1				AP
21	95333-08600	NUT ECROU	1				AP
22	92903-08100	WASHER, SPRING RONDELLE, GROWER	1				AP

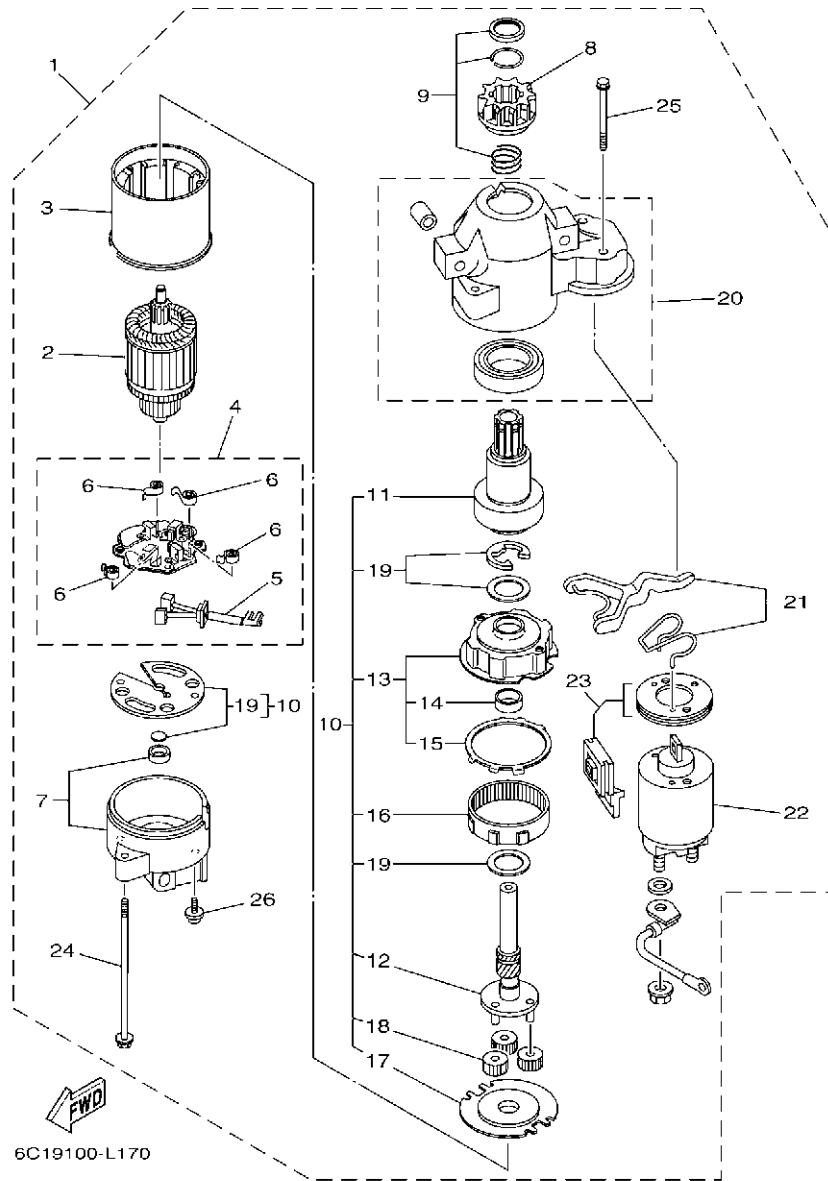


FIG. 19 STARTING MOTOR

DEMARREUR ELECTRIQUE

REF. NO.	PART NO. N° PIECES	DESCRIPTION DESCRIPTION	6CJA			REMARKS REMARQUES
1	6CJ-81800-01	STARTING MOTOR ASSY DEMARREUR ELECTRIQUE COMPLET	1			
2	67F-81850-00	.ARMATURE ASSY .INDUIT	1			
3	67F-81810-00	.STATOR ASSY .STATOR COMPLET	1			
4	69J-81840-11	.BRUSH HOLDER ASSY .SUPPORT DE CHARBON	1			
5	69J-81801-11	.BRUSH SET ..JEU DE BROUSSE	1			
6	67F-81813-00	..SPRING, BRUSH ..RESSORT, DE CHARBON	4			
7	68F-81820-00	.REAR BRACKET ASSY .SUPPORT ARRIERE COMPLET	1			
8	67F-81808-00	.PINION ASSY .PIGNON	1			
9	67F-81857-00	.PINION STOPPER SET .BUTEE PIGNON	1			
10	67F-81807-00	.GEAR ASSY, STARTING MOTOR .PIGNON, DEMARREUR ELECTRIQUE	1			
11	67F-81832-00	..CLUTCH, OVER RUN ..EMBRAYAGE, ROUE LIBRE	1			
12	67F-81836-00	..SHAFT, PINION ..AXE, PIGNON	1			
13	67F-81821-00	..BRACKET, CENTER 1 ..SUPPORT, CENTRE 1	1			
14	67F-81841-00	..BEARING ..ROULEMENT	1			
15	67F-8183R-00	..GASKET ..JOINT	1			
16	67F-81891-00	..GEAR, RING ..ROUE DENTEE	1			WITH 67F-8183R-00 WITH 67F-8183R-00
17	67F-81830-00	..BRACKET, CENTER 2 ..SUPPORT, CENTRE 2	1			
18	60V-8183T-00	..GEAR, IDLER ..PIGNON, INTERMEDIAIRE	3			
19	67F-81809-00	..WASHER KIT ..JEU DE RONDELLES	1			
20	60X-81842-00	.COVER .COUVERCLE	1			
21	6C5-81839-00	.LEVER ASSY .LEVIER COMPLET	1			
22	6C5-81941-00	.STARTER RELAY ASSY .LANCEUR RELAIS (ENS.)	1			
23	6C5-81869-00	.COVER, DUST .COUVERCLE, POUSSIERE	1			
24	6K7-81826-11	.BOLT .BOULON	2			
25	69J-81828-00	.BOLT 2 .BOULON 2	2			
26	67F-81846-00	.SCREW .VIS	2			



FIG. 20 BOTTOM COWLING 1

CAPOT INFERIEUR 1

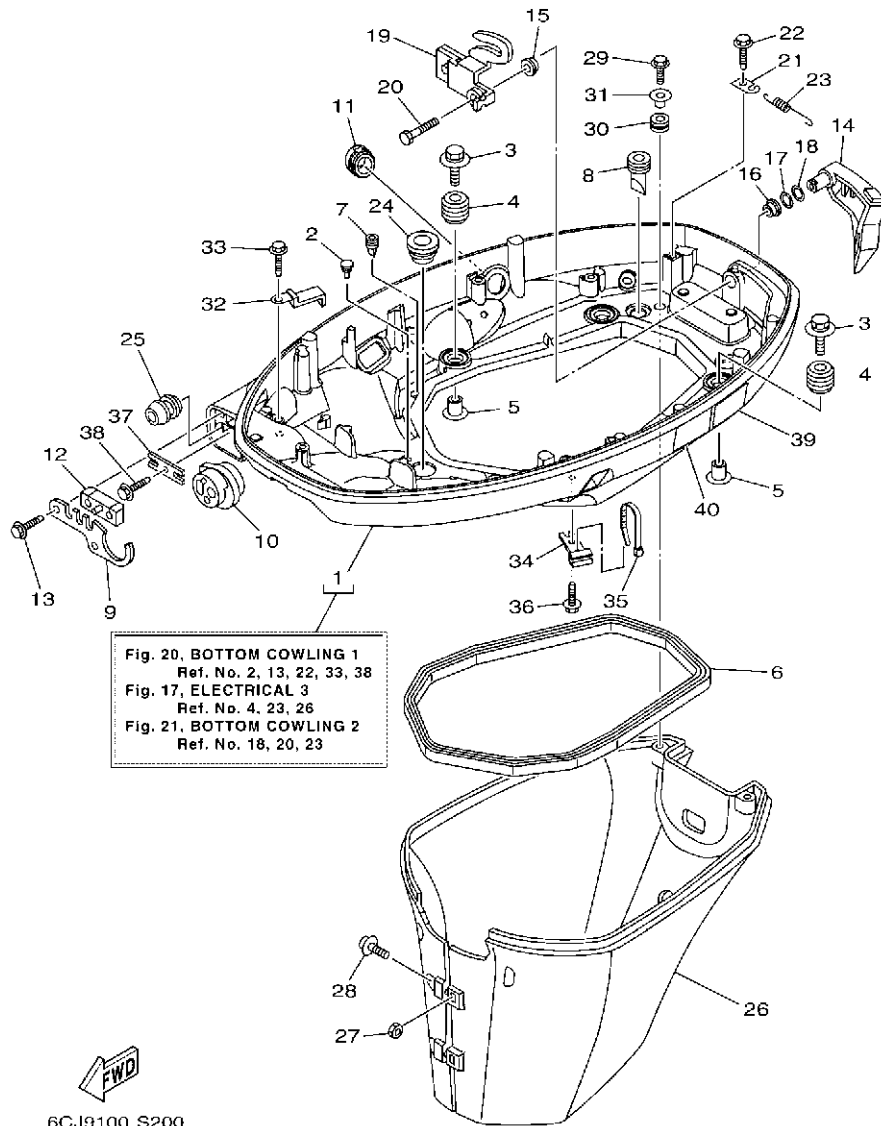


Fig. 20, BOTTOM COWLING 1  
 Ref. No. 2, 13, 22, 33, 38  
 Fig. 17, ELECTRICAL 3  
 Ref. No. 4, 23, 26  
 Fig. 21, BOTTOM COWLING 2  
 Ref. No. 18, 20, 23

6CJ9100 S200

REF. NO.	PART NO. N° PIECES	DESCRIPTION DESCRIPTION	6CJA				REMARKS REMARQUES
1	6CJ-42710-01-8D	BOTTOM COWLING ASSY ENS. EMBASE	1				
2	6H4-42748-00	GROMMET PASSE-FIL	3				
3	90119-06M61	BOLT, WITH WASHER BOULON, AVEC RONDELLE	4				
4	6BG-42748-00	GROMMET PASSE-FIL	4				
5	90387-06M69	COLLAR COLLERETTE	4				
6	62Y-42716-00	RUBBER SEAL 1 JOINT EN CAOUTCHOUC 1	1				
7	65W-42717-00	RUBBER, SEAL 2 JOINT EN CAOUTCHOUC 2	2				
8	61A-42717-00	RUBBER, SEAL 2 JOINT EN CAOUTCHOUC 2	2				
9	6BG-42761-00	STOPPER PLAQUETTE	1				
10	6CJ-42725-00	GROMMET PASSE-FIL	1				
11	6CJ-42726-00	GROMMET PASSE-FIL	1				
12	6BG-42727-00	GROMMET PASSE-FIL	1				
13	90109-06M86	BOLT BOULON	2				
14	6BG-42815-00-8D	LEVER, CLAMP 1 LEVIER, PRESSE 1	1				
15	90386-12M37	BUSH DOUILLE	1				
16	90386-12MA2	BUSH DOUILLE	1				
17	90206-12052	WASHER, WAVE RONDELLE, ONDULEE	1				
18	90201-12M07	WASHER, PLATE RONDELLE, PLATE	1				
19	6BG-42816-00	LEVER, CLAMP 2 LEVIER, PRESSE 2	1				
20	97D95-06014	BOLT, HEXAGON DEEP RECESS VIS HEXAGONAL	1				
21	66T-43144-00	HOOK, SPRING CROCHET	1				
22	90109-06M86	BOLT BOULON	1				
23	90506-18023	SPRING, TENSION RESSORT, TENSION	1				
24	68U-42727-00	GROMMET PASSE-FIL	1				
25	6BG-24329-00	SEAL JOINT	1				
26	6BG-42741-10-8D	APRON CAPOT LATERAL	1				
27	95380-06600	NUT, HEXAGON ECROU	2				

FIG. 20 BOTTOM COWLING 1

CAPOT INFERIEUR 1

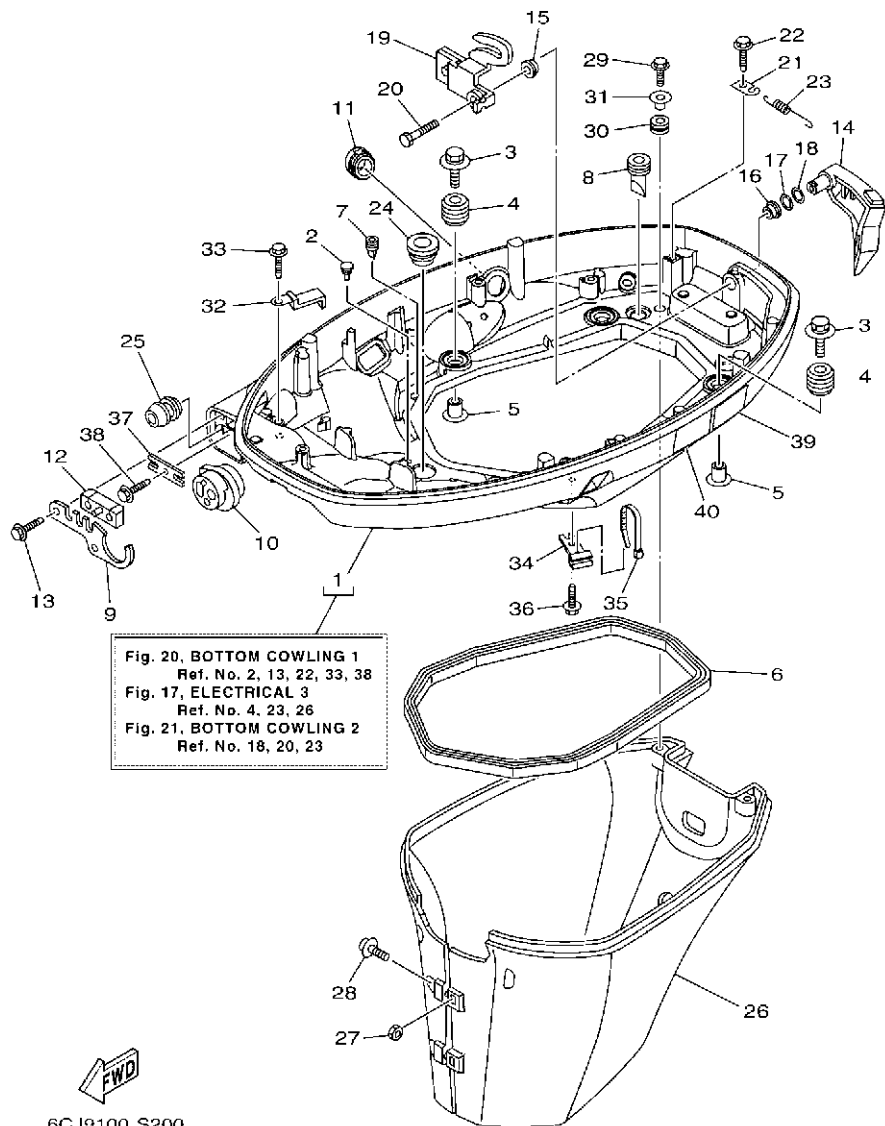


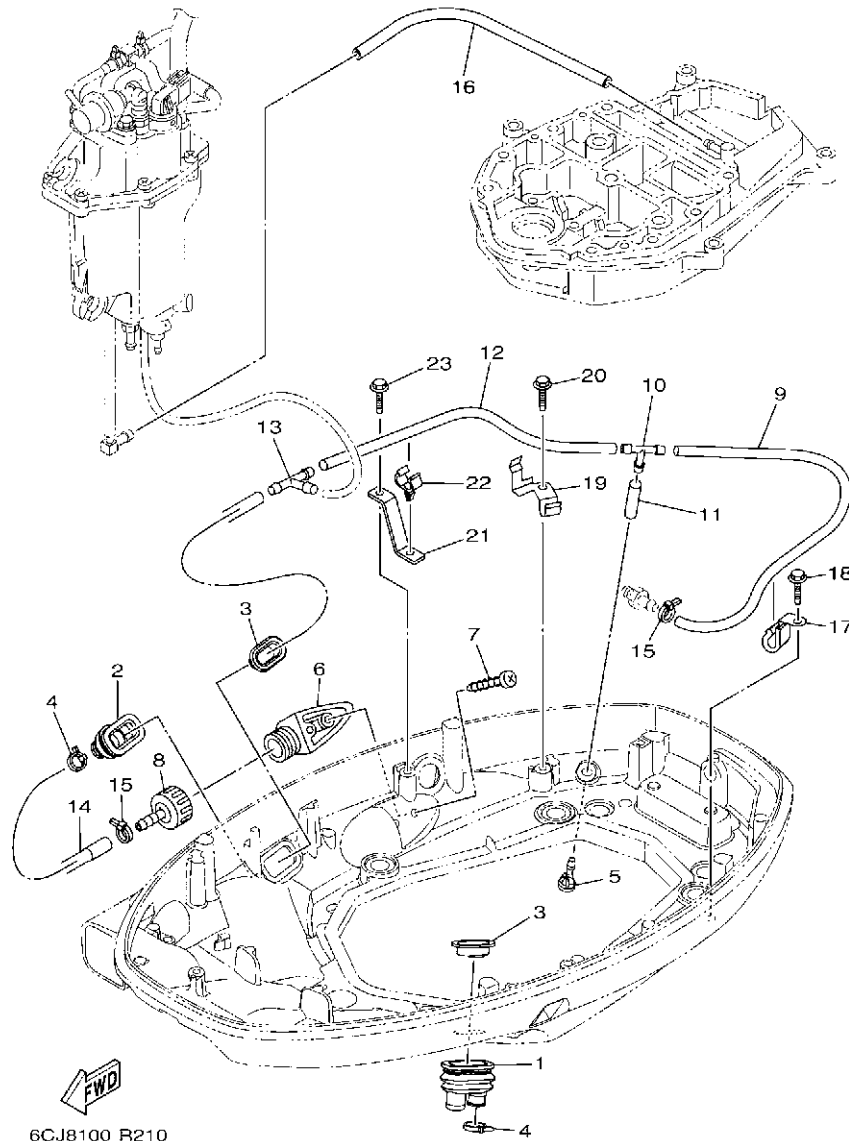
Fig. 20, BOTTOM COWLING 1  
 Ref. No. 2, 13, 22, 33, 38  
 Fig. 17, ELECTRICAL 3  
 Ref. No. 4, 23, 26  
 Fig. 21, BOTTOM COWLING 2  
 Ref. No. 18, 20, 23

FWD  
 6CJ9100 S200

REF. NO.	PART NO. N° PIECES	DESCRIPTION DESCRIPTION	6CJA				REMARKS REMARQUES
28	97980-06325	SCREW, WITH WASHER VIS, AVEC RONDELLE	2				
29	90109-06M80	BOLT BOULON	2				
30	90480-13M24	GROMMET PASSE-FIL	2				
31	90387-06M43	COLLAR COLLERETTE	2				
32	90462-20005	CLAMP BRIDE	1				
33	90109-06M86	BOLT BOULON	1				
34	90464-09M49	CLAMP BRIDE	1				
35	90465-11M10	CLAMP BRIDE	1				
36	90109-06M86	BOLT BOULON	1				
37	6BG-48538-00	CLAMP, CABLE 1 COLLIER	1				
38	90109-06M86	BOLT BOULON	1				
39	6EE-42794-40	LABEL, WARNING (GENERAL) ETIQUETTE, AVERTISSEMENT	1				
40	6EE-42794-50	LABEL, WARNING (GENERAL) ETIQUETTE, AVERTISSEMENT	1				

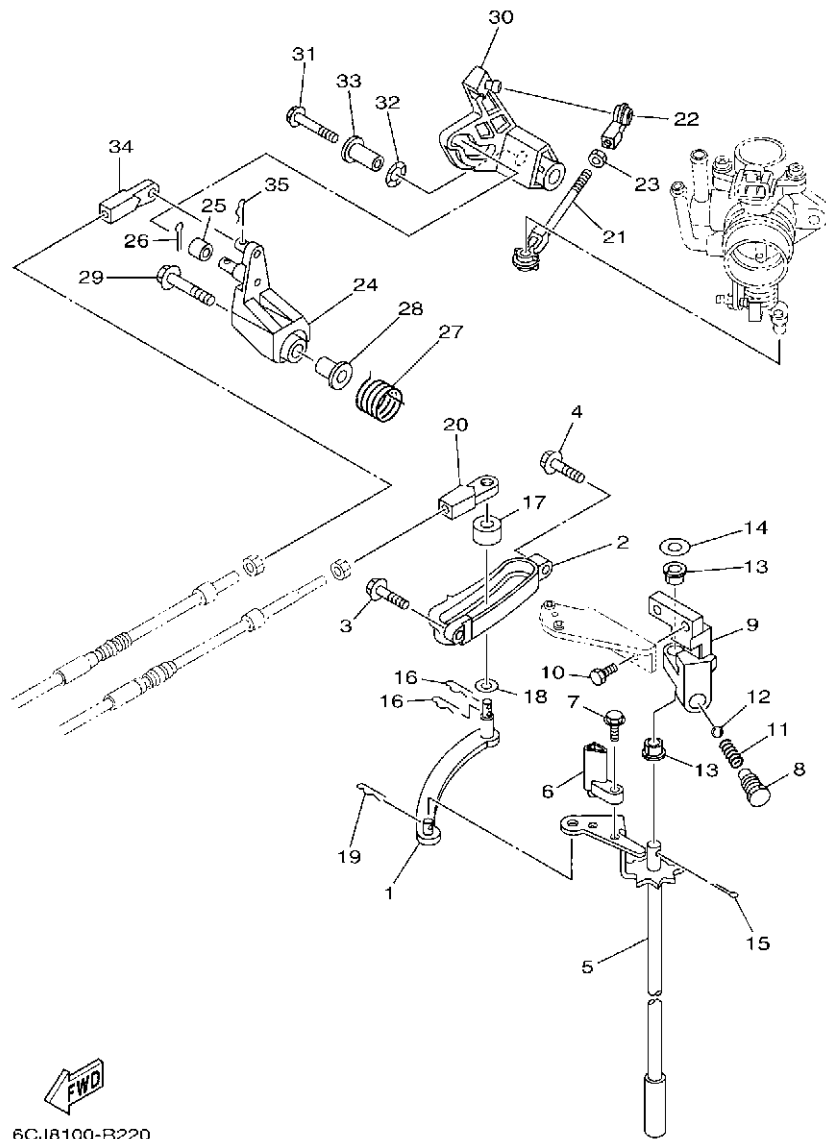
FIG. 21 BOTTOM COWLING 2

CAPOT INFERIEUR 2



6CJ8100 R210

REF. NO.	PART NO. N° PIECES	DESCRIPTION DESCRIPTION	6CJA				REMARKS REMARQUES
1	6H1-42726-30	GROMMET PASSE-FIL	1				
2	6BG-42724-00	GROMMET PASSE-FIL	1				
3	6BG-42384-00	SEAL, CAP JOINT, CAPUCHON	2				
4	90465-11M10	CLAMP BRIDE	2				
5	6BL-44391-00	NIPPLE, HOSE RACCORD D'ESSENCE	1				
6	6AW-12572-00	ADAPTER ADAPTATEUR	1				
7	97780-60520	SCREW, TAPPING VIS, TETE BOMBEE	2				
8	6R3-12580-00	JOINT ASSY ARTICULER (ENS.)	1				
9	90445-09036	HOSE (L400) DURITE (L400)	1				
10	688-24378-00	PIPE, JOINT 3 DURITE RACCORDEMENT 3	1				
11	90445-09220	HOSE (L30) DURITE (L30)	1				
12	90445-096H2	HOSE (L280) DURITE (L280)	1				
13	688-24378-00	PIPE, JOINT 3 DURITE RACCORDEMENT 3	1				
14	6BG-12481-00	PIPE 1 DURITE 1	1				
15	90465-11M10	CLAMP BRIDE	2				
16	90445-09304	HOSE (L310) DURITE (L310)	1				
17	90462-08067	CLAMP BRIDE	1				
18	90109-06M86	BOLT BOULON	1				
19	6BG-24136-01	CLAMP 2 COLLIER 2	1				
20	90109-06M86	BOLT BOULON	1				
21	6CJ-24135-00	CLAMP 1 COLLIER 1	1				
22	90464-09130	CLAMP BRIDE	1				
23	90109-06M86	BOLT BOULON	1				

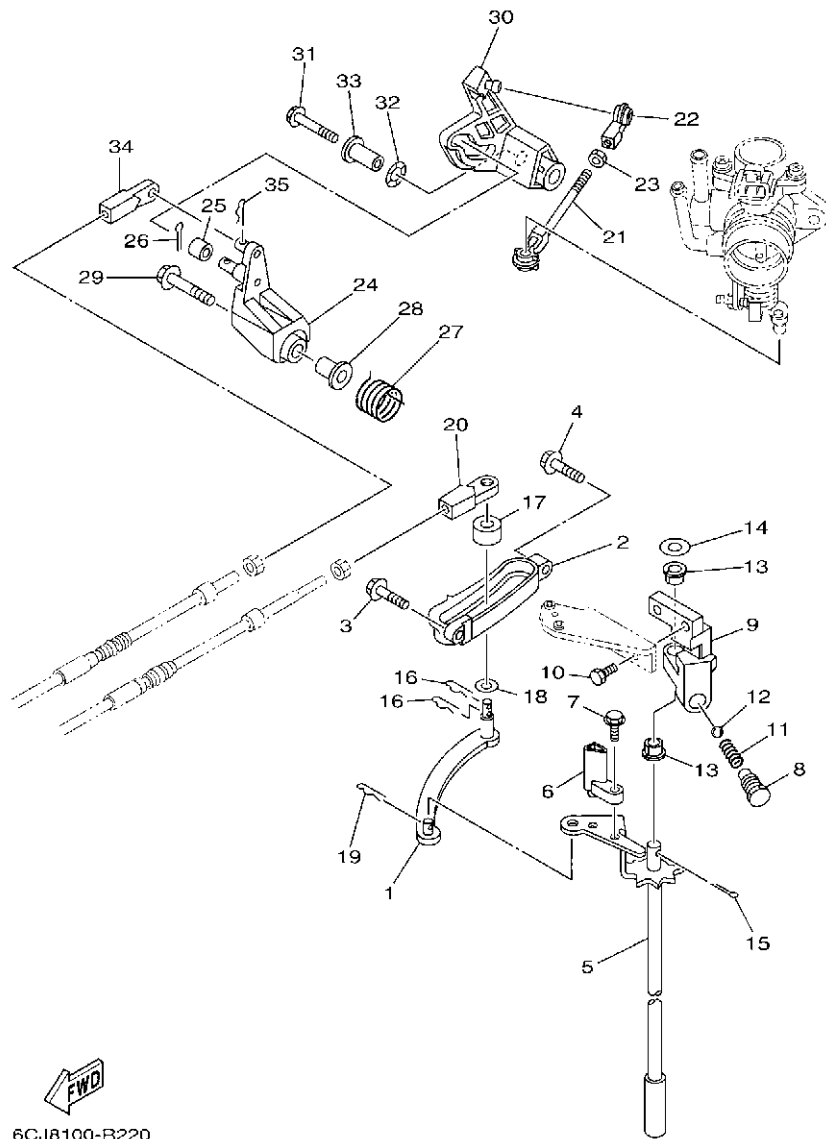


6CJ8100-R220

FIG. 22 CONTROL

COMMANDE

REF. NO.	PART NO. N° PIECES	DESCRIPTION DESCRIPTION	6CJA			REMARKS REMARQUES
1	69W-44121-00	LEVER, SHIFT ROD LEVIER, TIGE D'INVERSION	1			
2	62Y-44117-01	BRACKET SUPPORT	1			
3	97E95-06520	BOLT, HEXAGON W/W DEEP RECESS VIS HEXAGONAL AVC RONDELLE	1			
4	97E95-06525	BOLT, HEXAGON W/W DEEP RECESS VIS HEXAGONAL AVC RONDELLE	1			
5	6C5-44120-02	HANDLE GEAR SHIFT ASSY LEVIER D'EMBRAYAGE	1			L(21.0") L(21.0")
6C5-44120-12	HANDLE GEAR SHIFT ASSY LEVIER D'EMBRAYAGE		1			X(25.5") X(25.5")
6	6C5-44122-00	BUSHING, SHIFT ROD LEVER DOUILLE, LEVIER D'EMBRAYAGE	1			
7	97595-05514	BOLT, WITH WASHER VIS HEXAGONAL AVC RONDELLE	1			
8	62Y-42715-01	BUSHING COUSSINET	1			
9	62Y-44118-00-94	BRACKET SUPPORT	1			
10	90101-06054	BOLT BOULON	2			
11	90501-12082	SPRING, COMPRESSION RESSORT, COMPRESSION	1			
12	93501-04M02	BALL BILLE	1			
13	90386-90M90	BUSH DOUILLE	2			
14	90201-10M20	WASHER, PLATE RONDELLE, PLATE	1			
15	91490-20015	PIN, COTTER GOUILLE	1			
16	90468-18008	CLIP JONC	2			
17	688-44122-00	BUSHING, SHIFT ROD LEVER DOUILLE, LEVIER D'EMBRAYAGE	1			
18	90202-07M07	WASHER, PLATE RONDELLE, PLATE	1			
19	90468-18008	CLIP JONC	1			
20	69W-48344-00	CABLE END, REMOTE CONTROL CHAPE CABLE	1			
21	688-41211-01	LINK, ACCEL. BIELLETTTE, ACCELERATION	1			
22	6H4-41237-00	JOINT, LINK RACCORD	1			
23	95380-05700	NUT ECROU	1			
24	62Y-42154-A0	LEVER, THROTTLE CONTROL LEVIER DE COMMANDE D'AVANCE	1			
25	6C5-42171-00	BUSHING COUSSINET	1			
26	91490-16010	PIN, COTTER GOUILLE	1			



6CJ8100-R220

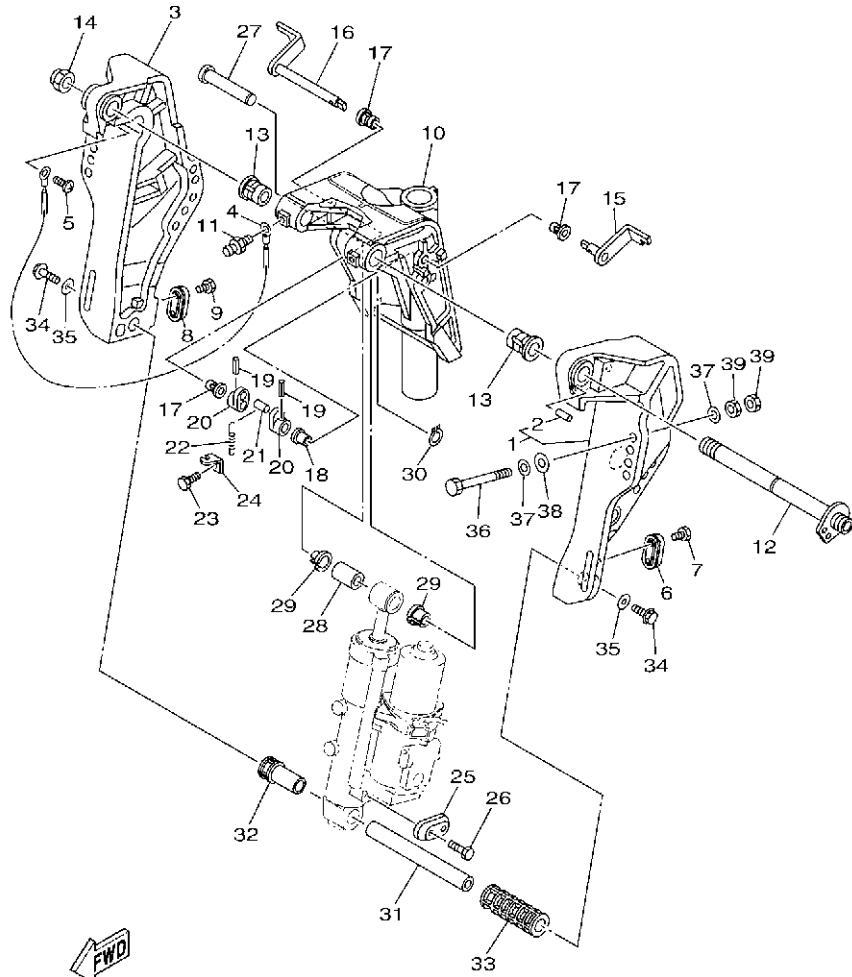
FIG. 22 CONTROL

COMMANDE

REF. NO.	PART NO. N° PIECES	DESCRIPTION DESCRIPTION	6CJA			REMARKS REMARQUES
27	62Y-44135-00	SPRING RESSORT	1			
28	90387-06M45	COLLAR COLLERETTE	1			
29	90119-06126	BOLT, WITH WASHER BOULON, AVEC RONDELLE	1			
30	6BG-42335-A0	LEVER, ACCEL. CONTROL LEVIER, ACCELERATION	1			
31	95D95-06045	BOLT, FLANGE DEEP RECESS BOULON FIXATION	1			
32	90206-10M04	WASHER, WAVE RONDELLE, ONDULEE	1			
33	90387-06279	COLLAR COLLERETTE	1			
34	69W-48344-00	CABLE END, REMOTE CONTROL CHAPE CABLE	1			
35	90468-18008	CLIP JONC	1			

FIG. 23 BRACKET 1

SUPPORT 1

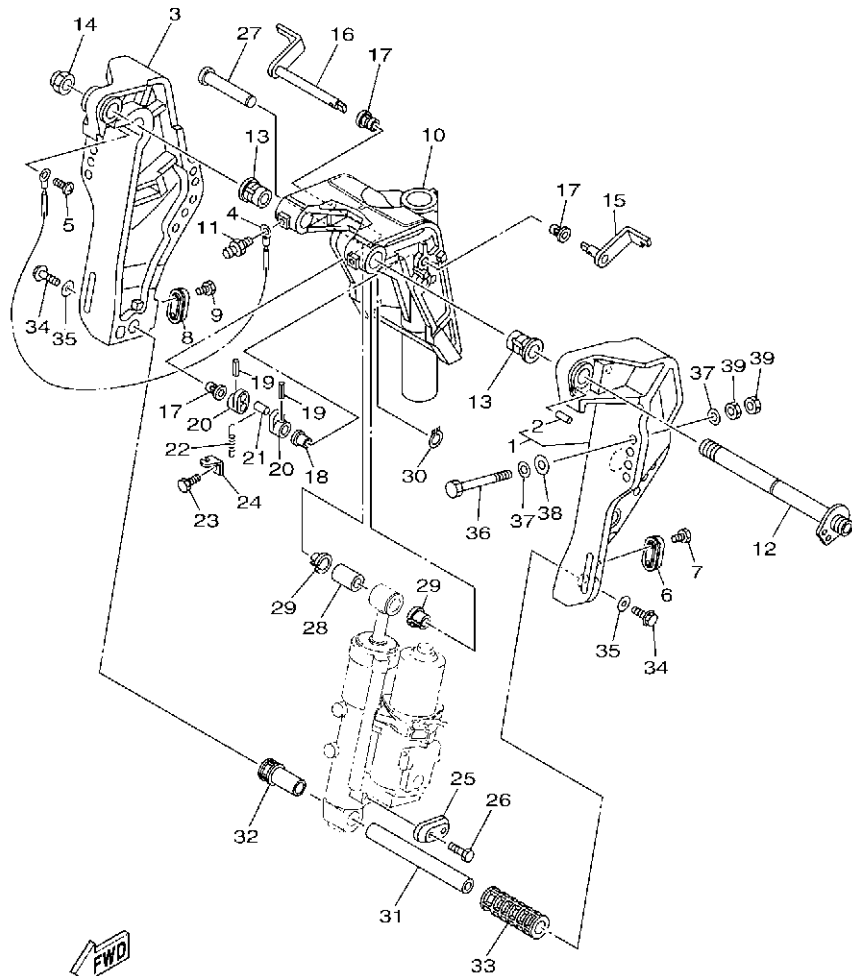


6CJ7100-Q230

REF. NO.	PART NO. N° PIECES	DESCRIPTION DESCRIPTION	6CJA			REMARKS REMARQUES
1	6C5-43111-10-8D	BRACKET, CLAMP 1 PRESSE 1	1			FOR TILT LIMIT FOR TILT LIMIT
2	93606-19002	.PIN, DOWEL .GOUPILLE	1			
3	6C5-43112-01-8D	BRACKET, CLAMP 2 PRESSE 2	1			
4	6E5-82148-00	WIRE, LEAD 4 FIL 4	1			
5	97885-06008	SCREW, PAN HEAD VIS, A ENCOCHE	1			
6	65W-45251-00	ANODE ANODE	1			
7	90101-06020	BOLT BOULON	2			
8	65W-45251-00	ANODE ANODE	1			
9	90101-06020	BOLT BOULON	2			
10	6C5-43311-01-8D	BRACKET, SWIVEL 1 SUPPORT, PIVOT 1	1			
11	93700-06002	NIPPLÉ, GREASE PION	3			
12	6C5-43131-00	BOLT, CLAMP BRACKET BOULON, PRESSE	1			FOR TILT LIMIT FOR TILT LIMIT
13	90386-22MA4	BUSH DOUILLE	2			
14	90185-22M11	NUT, SELF-LOCKING ECROU,AUTO-BLOQUANT	1			FOR TILT LIMIT FOR TILT LIMIT
15	6C5-43181-00	LEVER, TILT STOP 1 LEVIER VERROUILLAGE RELEVAGE 1	1			
16	6C5-43185-00	LEVER, TILT STOP 2 LEVIER VERROUILLAGE RELEVAGE 2	1			
17	90386-10M16	BUSH DOUILLE	3			
18	90386-10025	BUSH DOUILLE	1			
19	91690-30020	PIN, SPRING AGRAFFE	2			
20	6G5-43148-00	COLLAR, DISTANCE ENTRETOISE	2			
21	90249-06M19	PIN GOUPILLE	1			
22	90506-14M24	SPRING, TENSION RESSORT, TENSION	1			
23	97D95-06010	BOLT, HEXAGON DEEP RECESS VIS HEXAGONAL	1			
24	6G5-43144-00	HOOK, SPRING CROCHET	1			
25	65W-45251-00	ANODE ANODE	1			
26	90101-06020	BOLT BOULON	2			
27	6E5-43126-02	PIN, UPPER SHOCK MOUNT AXE, SUPERIEUR AMORTISSEUR	1			

FIG. 23 BRACKET 1

SUPPORT 1

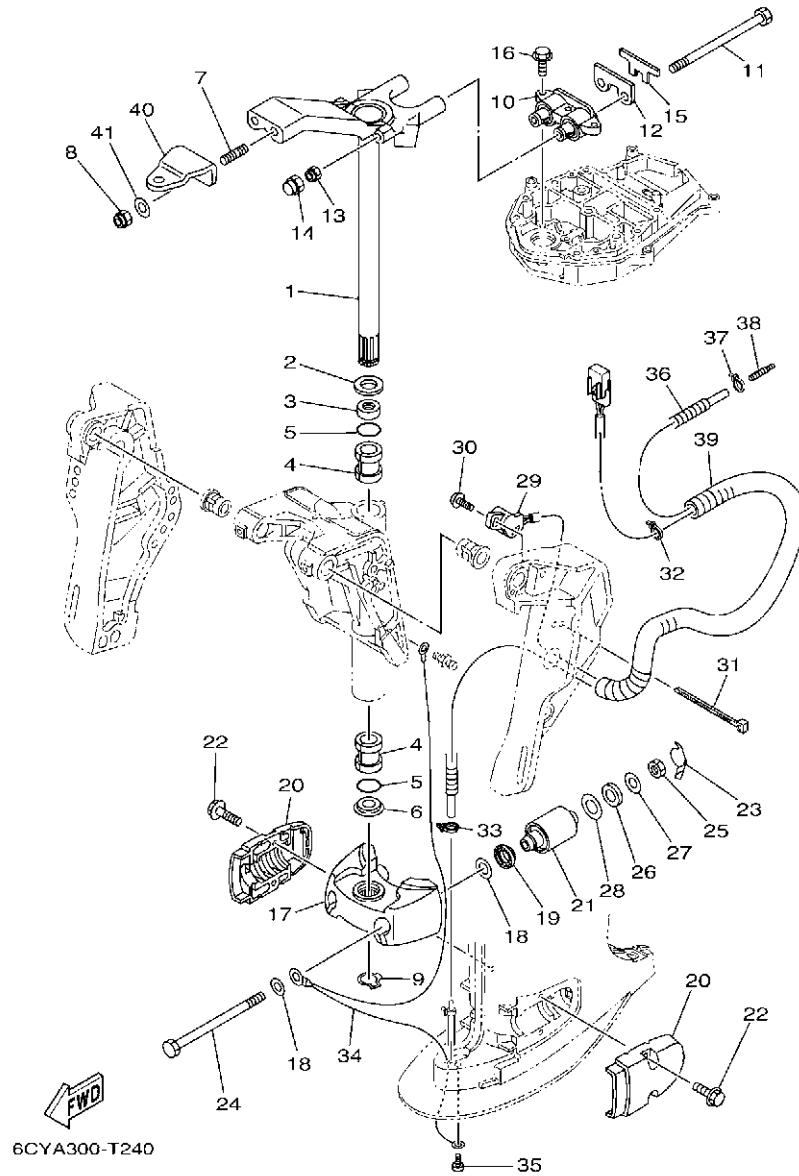


6CJ7100-Q230

REF. NO.	PART NO. N° PIECES	DESCRIPTION DESCRIPTION	6CJA				REMARKS REMARQUES
28	90386-18M92	BUSH DOUILLE	1				
29	90386-18M35	BUSH DOUILLE	2				
30	93410-18M05	CIRCLIP CIRCLIP	1				
31	6CJ-43818-00	PIN, LOWER SHOCK MOUNT AXE, INFERIEUR AMORTISSEUR	1				
32	6C5-43833-00	PIPE TUYAU	1				
33	6C5-43834-00	PIPE TUYAU	1				
34	90119-10054	BOLT, WITH WASHER BOULON, AVEC RONDELLE	2				
35	90201-10060	WASHER, PLATE RONDELLE, PLATE	2				
36	90101-12M65	BOLT BOULON	4				
37	90201-12062	WASHER, PLATE RONDELLE, PLATE	8				
38	90201-12426	WASHER, PLATE RONDELLE, PLATE	4				
39	95380-12600	NUT ECROU	8				

FIG. 24 BRACKET 2

SUPPORT 2

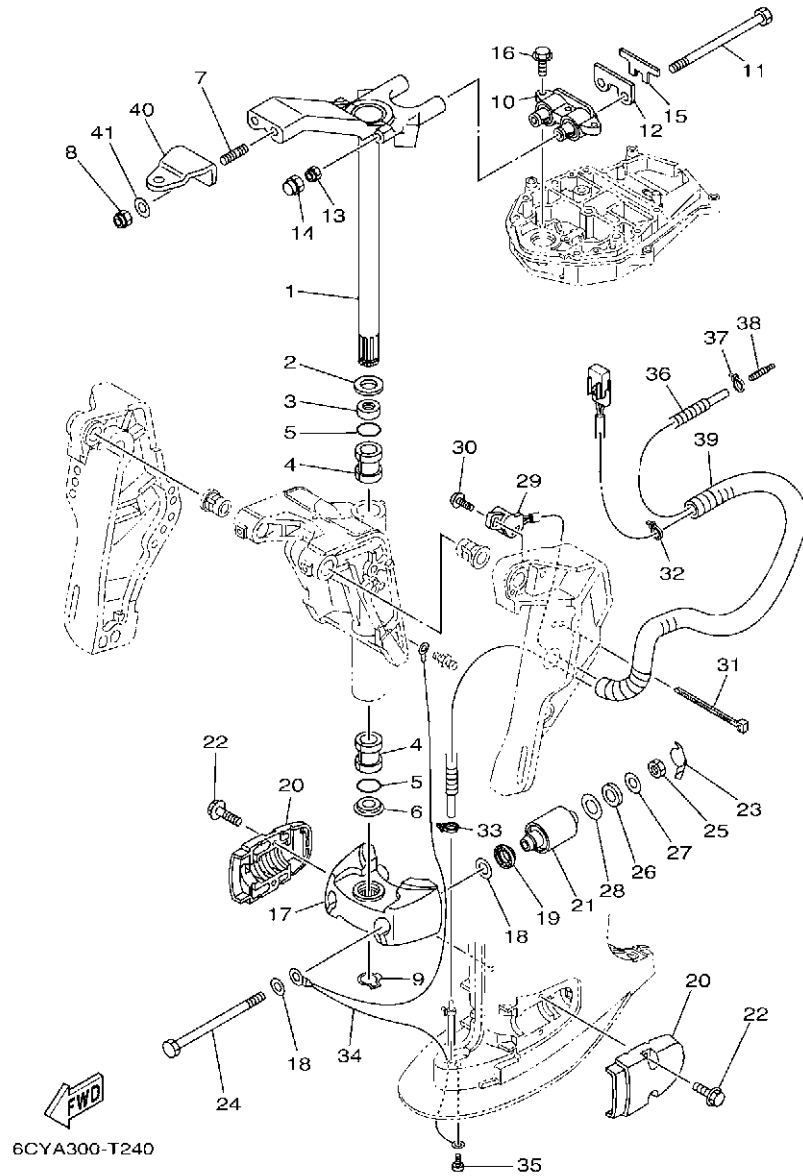


REF. NO.	PART NO. N° PIECES	DESCRIPTION DESCRIPTION	6CJA			REMARKS REMARQUES
1	69W-42510-01-8D	STEERING BRACKET ASSY DIRECTION SUPPORT (ENS.)	1			
2	90201-30M00	WASHER, PLATE RONDELLE, PLATE	1			
3	90386-30M78	BUSH DOUILLE	1			
4	90386-30M77	BUSH DOUILLE	2			
5	93210-29M94	O-RING JOINT TORIQUE	2			
6	90386-30M60	BUSH DOUILLE	1			
7	90116-10063	BOLT, STUD GOUJON	2			
8	90185-10027	NUT, SELF-LOCKING ECROU,AUTO-BLOQUANT	2			
9	93410-28M06	CIRCLIP CIRCLIP	1			
10	6CJ-44514-00	MOUNT DAMPER, UPPER SIDE SILENT-BLOC, SUPERIEUR LATERAL	1			
11	90109-08229	BOLT BOULON	2			
12	6CJ-44526-00	PLATE PLAQUE	1			
13	90185-08018	NUT, SELF-LOCKING ECROU,AUTO-BLOQUANT	2			
14	6C5-44194-00	CAP CAPUCHON	2			
15	6CJ-44533-00	DAMPER, UPPER MOUNT RUBBER COUVERCLE, SUSPENSION INFERIEU	1			
16	97E75-08530	BOLT, HEXAGON W/W DEEP RECESS VIS HEXAGONAL AVC RONDELLE	3			
17	6C5-44551-00-8D	HOUSING, LOWER MOUNT RUBBER 1 BOITIER, SILENT-BLOC INFERIEUR	1			
18	90201-12M16	WASHER, PLATE RONDELLE, PLATE	4			
19	6C5-43885-00	GROMMET PASSE-FIL	2			
20	6C5-44552-00-8D	HOUSING, LOWER MOUNT RUBBER 2 BOITIER, SILENT-BLOC INFERIEUR	2			
21	69W-44555-00	MOUNT DAMPER, LOWER SIDE SILENT-BLOC, INFERIEUR LATERAL	2			
22	90119-08094	BOLT, WITH WASHER BOULON, AVEC RONDELLE	4			
23	6CJ-44575-00	DAMPER, LOWER MOUNT RUBBER SILENT-BLOC, INFERIEUR	2			
24	90109-12MA3	BOLT BOULON	2			
25	95380-12600	NUT ECROU	2			
26	90202-21100	WASHER, PLATE RONDELLE, PLATE	2			
27	90201-13M19	WASHER, PLATE RONDELLE, PLATE	2			



FIG. 24 BRACKET 2

SUPPORT 2



REF. NO.	PART NO. N° PIECES	DESCRIPTION DESCRIPTION	6CJA				REMARKS REMARQUES
28	90201-22M05	WASHER, PLATE RONDELLE, PLATE	2				
29	63D-83672-11	TRIM SENDER INCLINER RACCORD	1				
30	97985-06216	SCREW, WITH WASHER VIS, AVEC RONDELLE	2				
31	90464-76001	CLAMP BRIDE	1				
32	90465-11M10	CLAMP BRIDE	1				
33	90465-11M10	CLAMP BRIDE	1				
34	67C-82127-10	WIRE, LEAD 2 FIL 2	1				
35	97885-06008	SCREW, PAN HEAD VIS, A ENCOCHE	1				
36	6CJ-44385-00	HOSE, WATER 1 TUBE D'EAU 1	1				
37	90465-11M10	CLAMP BRIDE	1				
38	6E5-83558-00	END, NIPPLE RACCORD DE NIPPLE	1				
39	90447-19009	TUBE DURITE	1				
40	65W-48511-01	HOOK, STEERING ATTACHE, DIRECTION	1				
41	90201-10049	WASHER, PLATE RONDELLE, PLATE	2				

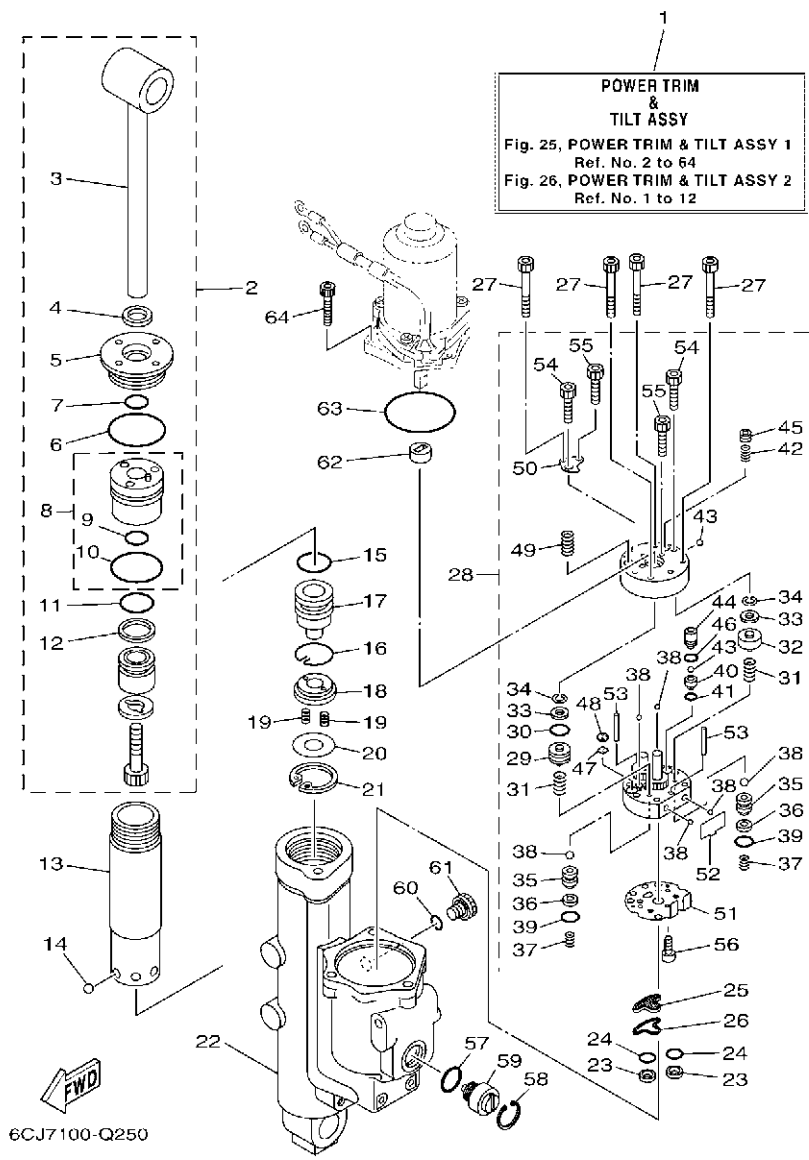
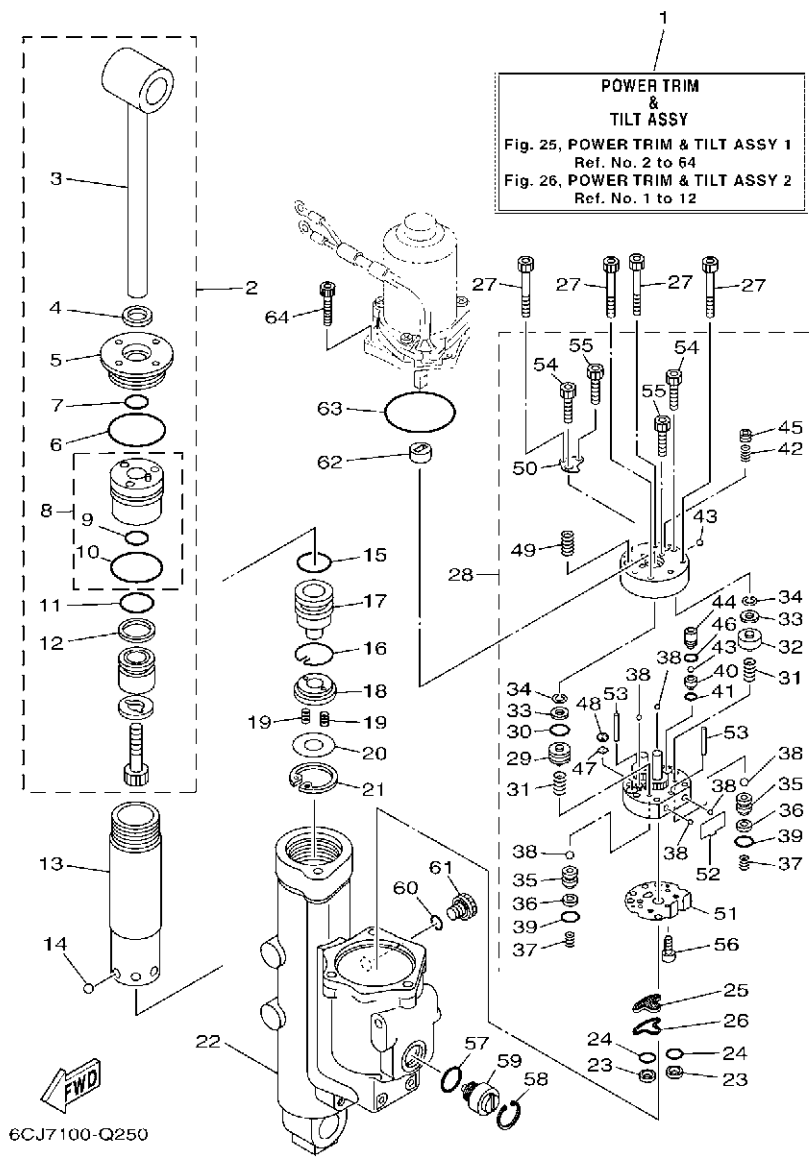


FIG. 25 POWER TRIM & TILT ASSY 1

PUISSANCE PARER ET INCLINER 1

REF. NO.	PART NO. N° PIECES	DESCRIPTION DESCRIPTION	6CJA	REMARKS REMARQUES
1	6CJ-43800-12	POWER TRIM & TILT ASSY PUISSANCE PARER ET INCLINER (E)	1	
2	6CJ-43810-10	TILT PISTON SUB ASSY INCLINER PISTON AUXILIAIRE(ENS)	1	
3	6CJ-43801-10	.ROD .TIGE	1	
4	62Y-43822-00	.SEAL, TRIM DUST .JOINT	1	
5	6CJ-43821-10	.SCREW, TRIM CYLINDER END .VIS	1	
6	93210-49001	.O-RING .JOINT TORIQUE	1	
7	6CJ-43863-00	.O-RING .JOINT TORIQUE	1	
8	6CJ-4380R-10	.CYLINDER END SUB ASSY .CYLINDRE RACCORD (ENS.)	1	
9	6CJ-43863-00	.O-RING .JOINT TORIQUE	1	
10	93210-44006	.O-RING .JOINT TORIQUE	1	
11	6C5-43861-00	.O-RING .JOINT TORIQUE	1	
12	6C5-43871-00	.RING, BACK UP .SEGMENT	1	
13	6CJ-22471-10	CYLINDER, SHOCK ABSORBER CYLINDRE, AMORTISSEUR	1	
14	93503-16003	BALL BILLES	6	
15	6C5-43861-00	O-RING JOINT TORIQUE	1	
16	6C5-43875-00	RING, SNAP RESSORT	1	
17	6CJ-4381B-10	FREE PISTON SUB ASSY PISTON AUXILIAIRE (ENS.)	1	
18	6C5-43899-00	PLATE STOPPER PLAQUETTE	1	
19	62X-4384H-00	SPRING RESSORT	2	
20	6C5-22435-00	PLATE, VALVE 2 PLAQUE, CLAPET 2	1	
21	99009-32500	CIRCLIP CIRCLIP	1	
22	6CJ-4380K-11	CYLINDER, TILT SUB ASSY CYLINDRE	1	
23	6C5-43817-10	FILTER 2 FILTRE 2	2	
24	69J-4389J-00	O-RING JOINT TORIQUE	2	
25	6C5-43816-00	FILTER 1 FILTRE 1	1	
26	6C5-4380G-00	PLATE PLAQUE	1	
27	91318-05045	BOLT BOULON	4	



**FIG. 25 POWER TRIM & TILT ASSY 1**

**PUISSANCE PARER ET INCLINER 1**

REF. NO.	PART NO. N° PIECES	DESCRIPTION DESCRIPTION	6CJA			REMARKS REMARQUES
28	6CJ-43830-10	GEAR PUMP ASSY POMPE A PIGNON (ENS.)	1			
29	6D8-43841-00	.PISTON, SHUTTLE .PISTON	1			
30	6H1-43883-00	.O-RING .JOINT TORIQUE	1			
31	69J-43894-00	.SPRING, SHUTTLE RETURN .RESSORT	2			
32	6D8-4384M-00	.PISTON, SHUTTLE 2 .PISTON 2	1			
33	69A-4384F-00	.SEAL, MAIN VALVE .JOINT	2			
34	99002-03600	.CIRCLIP .CIRCLIP	2			
35	6EK-4382E-00	.ADAPTOR 2 .ADAPTEUR 2	2			
36	6C6-4387G-00	.WASHER .RONDELLE	2			
37	6C6-43853-00	.SPRING, MAIN VALVE .RESSORT	2			
38	93505-32038	.BALL .BILLE	6			
39	69J-4389J-00	.O-RING .JOINT TORIQUE	2			
40	6D8-43851-00	.SEAT, RELIEF VALVE .SIEGE	1			
41	93210-064A5	.O-RING .JOINT TORIQUE	1			
42	6C5-43855-10	.SPRING, UP RELIEF .RESSORT	1			
43	93501-08001	.BALL .BILLE	2			
44	6D8-43844-00	.PIN, VALVE SUPPORT .GOUPILLE	1			
45	6D8-43843-00	.SCREW, VALVE LOCK .VIS	1			
46	93210-04N51	.O-RING .JOINT TORIQUE	1			
47	6H1-4384G-11	.SEAL, RELIEF VALVE .JOINT	1			
48	6H1-43844-10	.PIN, VALVE SUPPORT .GOUPILLE	1			
49	6C5-43856-10	.SPRING, DOWN RELIEF .RESSORT	1			
50	6D8-4382L-00	.CAP, RELIEF VALVE .CAPUCHON	1			
51	6C5-43895-00	.SEAT, RELIEF VALVE .SIEGE	1			
52	6C5-43854-00	.SPRING, MANUAL RELEASE .RESSORT	1			
53	93604-26256	.PIN, DOWEL .CLAVETTE	2			
54	91318-05030	.BOLT .BOULON	2			

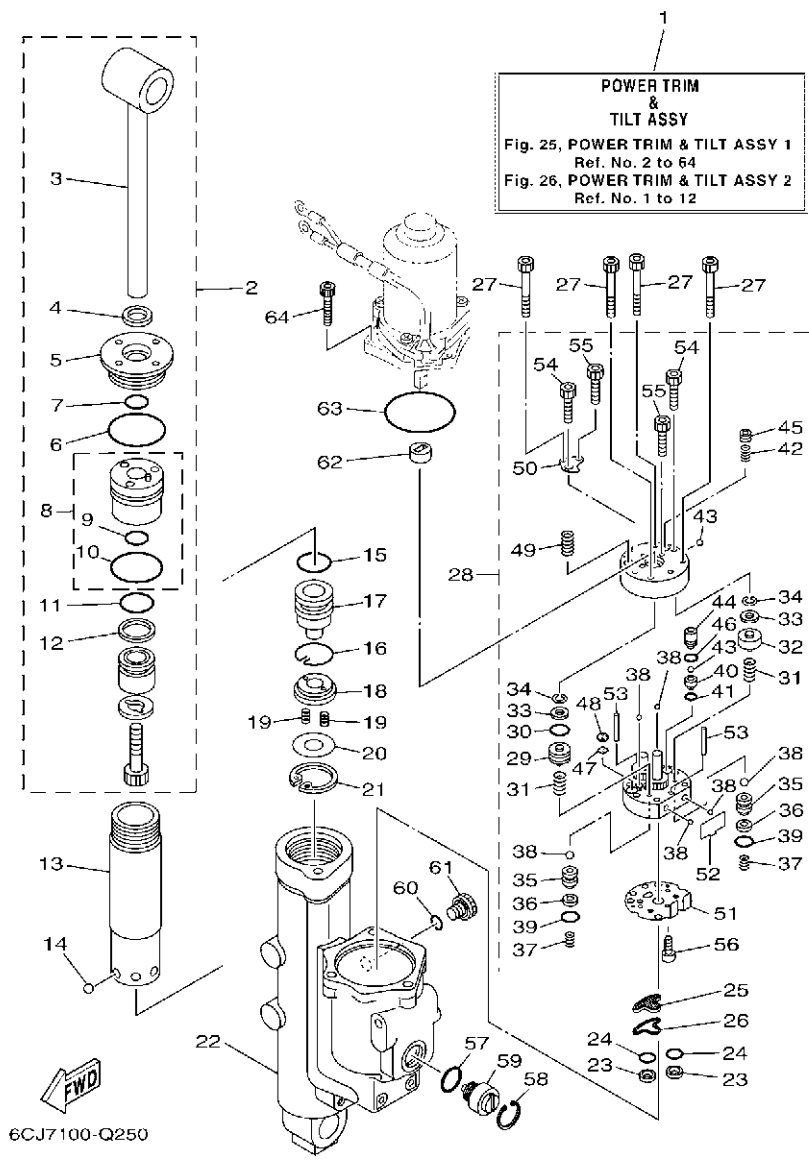


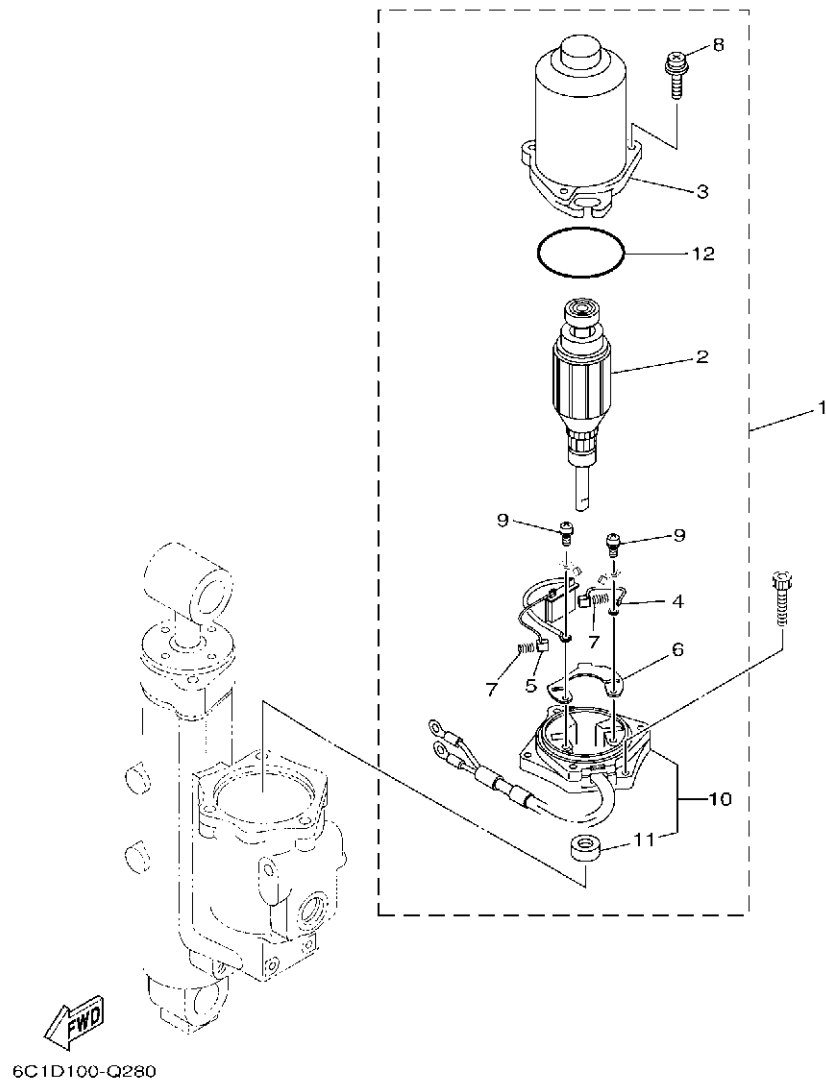
FIG. 25 POWER TRIM & TILT ASSY 1

PUISSANCE PARER ET INCLINER 1

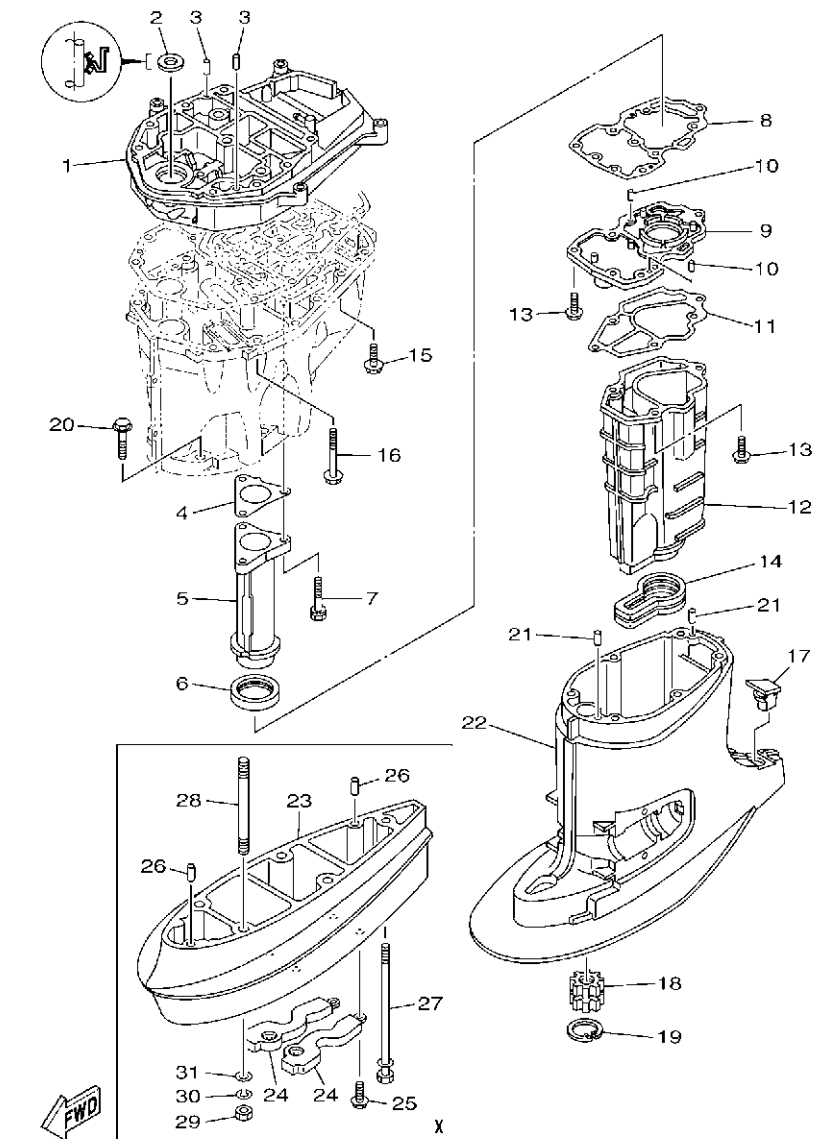
REF. NO.	PART NO. N° PIECES	DESCRIPTION DESCRIPTION	6CJA	REMARKS REMARQUES
55	91318-03025	.BOLT .BOULON	2	
56	91318-03005	.BOLT .BOULON	1	
57	6D8-43863-00	O-RING JOINT TORIQUE	1	
58	6H1-43875-00	RING, SNAP RESSORT	1	
59	6CJ-43845-10	SCREW, MANUAL RELEASE VIS	1	
60	93210-09165	O-RING JOINT TORIQUE	1	
61	6CJ-43829-10	PLUG, RESERVOIR BOUCHON	1	
62	6C5-43831-00	CONNECTOR, SHAFT RACCORD	1	
63	93210-64488	O-RING JOINT TORIQUE	1	
64	91380-05020	BOLT BOULON	3	

FIG. 26 POWER TRIM & TILT ASSY 2

PUISSANCE PARER ET INCLINER 2



REF. NO.	PART NO. N° PIECES	DESCRIPTION DESCRIPTION	6CJA			REMARKS REMARQUES
1	6CJ-43880-12	MOTOR ASSY MOTEUR (ENS.)	1			
2	6CJ-43805-11	.ARMATURE ASSY .INDUIT (ENS.)	1			
3	6CJ-43804-11	.STATOR ASSY .STATOR (ENS.)	1			
4	6EK-43892-00	.BRUSH 2 .BALAI 2	1			
5	6CJ-82181-10	.CIRCUIT BREAKER COMP. .RUPTEUR COMPLET	1			
6	6EK-4380F-00	.PLATE, BRUSH HOLDER .PLAQUE	1			
7	62X-4386K-00	.SPRING, BRUSH .RESSORT, BALAI	2			
8	6CJ-43879-10	.SCREW, WITH WASHER .VIS, AVEC RONDELLE	3			
9	97602-04316	.SCREW, PAN HEAD WITH WASHER .VIS, AVEC RONDELLE	2			
10	6CJ-43881-10	.FRAME, END .BATI	1			
11	6EK-43882-00	..OIL SEAL ..JOINT SPI	1			
12	6CJ-43862-10	.O-RING .JOINT TORIQUE	1			



6CJ5700-N280

FIG. 27 UPPER CASING

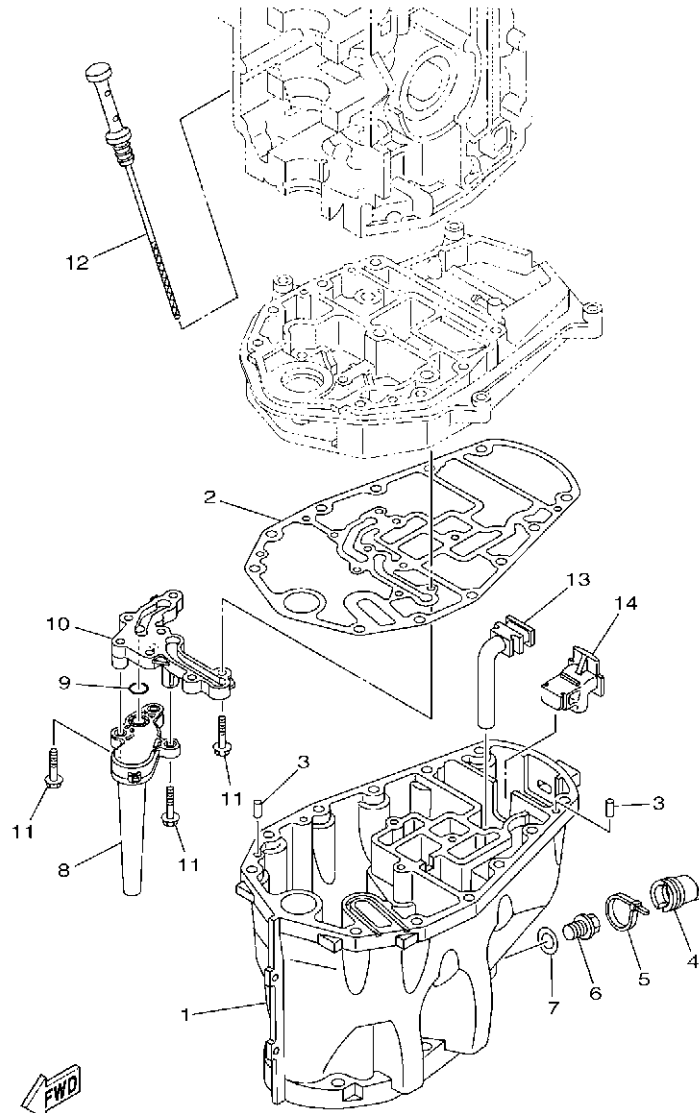
FOURREAU

REF. NO.	PART NO. N° PIECES	DESCRIPTION DESCRIPTION	6CJA			REMARKS REMARQUES
1	6C5-41137-03	GUIDE, EXHAUST COLLECTEUR D'ÉCHAPPEMENT	1			
2	93103-18011	OIL SEAL JOINT SPY	1			
3	93608-12M05	PIN, DOWEL AXE	2			
4	6C5-41133-00	GASKET, EXHAUST MANIFOLD 1 JOINT, PIPE D'ÉCHAPPEMENT	1			
5	6C5-41131-00-CA	MANIFOLD, EXT. 1 PIPE D'ÉCHAPPEMENT	1			
6	6C5-46132-00	GASKET 1 JOINT 1	1			
7	90119-06261	BOLT, WITH WASHER BOULON, AVEC RONDELLE	3			
8	6C5-41134-00	GASKET, EXHAUST MANIFOLD JOINT, PIPE D'ÉCHAPPEMENT	1			
9	6CJ-45181-01	PLATE PLAQUETTE	1			
10	93604-10M03	PIN, DOWEL CLAVETTE	2			
11	6C5-41135-00	GASKET, EXHAUST MANIFOLD JOINT, PIPE D'ÉCHAPPEMENT	1			
12	6CJ-14711-01	MUFFLER 1 POT D'ÉCHAPPEMENT 1	1			
13	97E75-06525	BOLT, HEXAGON W/W DEEP RECESS VIS HEXAGONAL AVEC RONDELLE	6			
14	6C5-45123-00	GASKET, MUFFLER JOINT, POT DE DÉTENTE	1			
15	90119-08102	BOLT, WITH WASHER BOULON, AVEC RONDELLE	4			
16	90119-08132	BOLT, WITH WASHER BOULON, AVEC RONDELLE	8			
17	6C5-45155-00	CAP CAPUCHON	1			
18	69W-45318-00	BUSHING, DRIVE SHAFT DOUILLE, ARBRE MOTEUR	1			
19	93420-36M01	CIRCLIP CIRCLIP, TYPE S	1			
20	97E75-10545	BOLT, HEXAGON W/W DEEP RECESS VIS HEXAGONAL AVEC RONDELLE	6			
21	93606-12019	PIN, DOWEL GOUPILLE	2			
22	6C5-45111-00-8D	CASING, UPPER FOURREAU	1			
23	2090370	EXTENSION EXTENSION	1			X(25.5°) X(25.5°)
24	6C5-45213-01	COVER, EXTENSION COUVERCLE EXTENSION	2			X(25.5°) X(25.5°)
25	97E75-06520	BOLT, HEXAGON W/W DEEP RECESS VIS HEXAGONAL AVEC RONDELLE	4			X(25.5°) X(25.5°)
26	93606-12019	PIN, DOWEL GOUPILLE	2			X(25.5°) X(25.5°)
27	90119-08M00	BOLT, WITH WASHER BOULON, AVEC RONDELLE	1			X(25.5°) X(25.5°)



FIG. 28 OIL PAN

VENTILATEUR D'HUILE



6CJ4100-M280

REF. NO.	PART NO. N° PIECES	DESCRIPTION DESCRIPTION	6CJA				REMARKS REMARQUES
1	6C5-15311-02	OIL PAN VENTILATEUR D'HUILE	1				
2	6C5-15312-01	GASKET, OIL PAN JOINT DE VENTILATEUR D'HUILE	1				
3	93606-12019	PIN, DOWEL GOUPILLE	2				
4	6CJ-15316-00	DAMPER 1 AMORTISSEUR 1	1				
5	90465-11M59	CLAMP BRIDE	1				
6	90340-14M06	PLUG, STRAIGHT SCREW PLOT, FILETE DROIT	1				
7	90430-14M09	GASKET JOINT	1				
8	6CJ-13411-10	STRAINER, OIL FILTRE, HUILE	1				
9	93210-12790	O-RING JOINT TORIQUE	1				
10	6CJ-15333-10	COVER COUVERCLE	1				
11	95812-06025	BOLT, FLANGE BOULON	9				
12	6C5-15362-00	PLUG, OIL LEVEL PLOT, NIVEAU D'HUILE	1				
13	6C5-45135-10	PIPE TUYAU	1				
14	6C5-45136-10	PIPE DURITE	1				



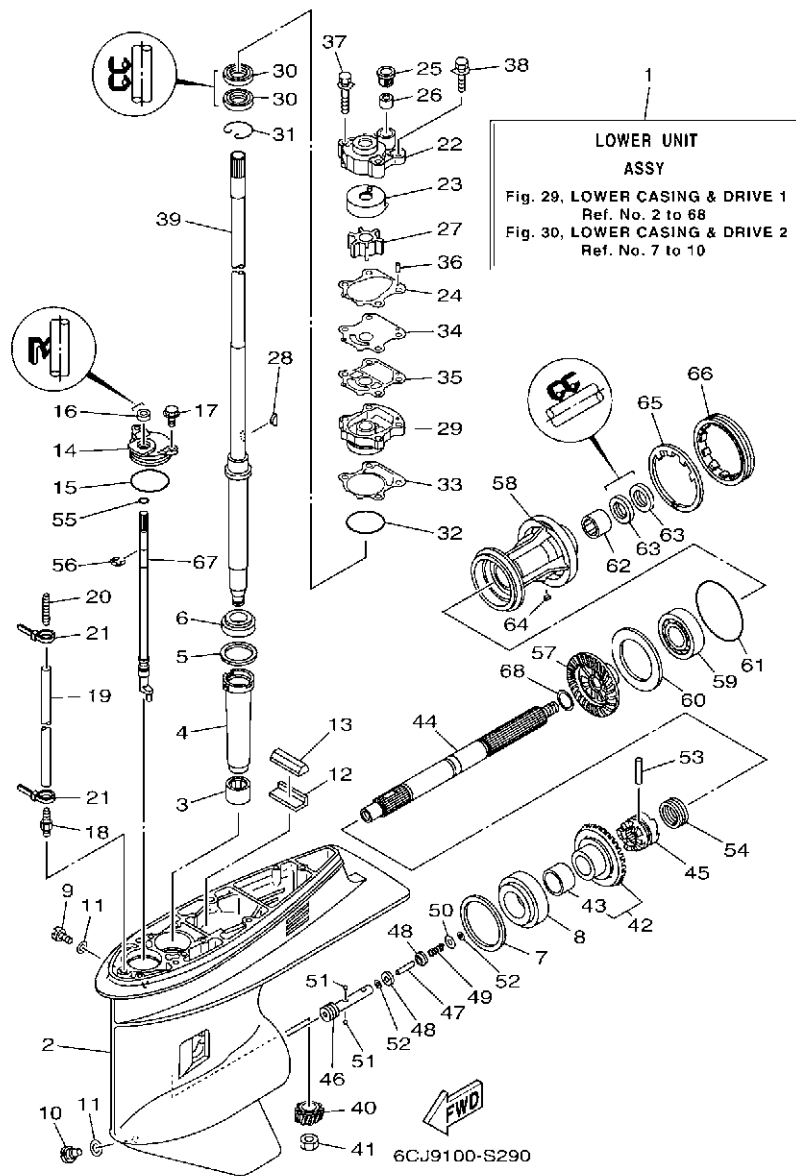


FIG. 29 LOWER CASING & DRIVE 1

BOITIER D'HELICE TRANSMISSION1

REF. NO.	PART NO. N° PIECES	DESCRIPTION DESCRIPTION	6CJA	REMARKS REMARQUES
1	6CJ-45300-31-8D	LOWER UNIT ASSY	1	L(21.0")
	1557725	UNITE INFERIEURE (ENS.)	1	L(21.0")
		LOWER UNIT ASSY	1	X(25.5")
		UNITE INFERIEURE (ENS.)	1	X(25.5")
2	67F-45301-00-8D	CASING, LOWER	1	
		BEQUILLE		
3	93315-52563	BEARING	1	
		ROULEMENT		
4	688-45536-01	SLEEVE, DRIVE SHAFT	1	
		MANCHON, ARBRE MOTEUR		
5	688-45587-01	SHIM (T:0.10MM)	1	UR
		CALE (T:0.10MM)		UR
	688-45587-10	SHIM (T:0.12MM)	1	UR
		CALE (T:0.12MM)		UR
	688-45587-20	SHIM (T:0.15MM)	1	UR
		CALE (T:0.15MM)		UR
	688-45587-30	SHIM (T:0.18MM)	1	UR
		CALE (T:0.18MM)		UR
	688-45587-40	SHIM (T:0.30MM)	1	UR
		CALE (T:0.30MM)		UR
6	688-45587-50	SHIM (T:0.40MM)	1	UR
		CALE (T:0.40MM)		UR
	688-45587-60	SHIM (T:0.50MM)	1	UR
		CALE (T:0.50MM)		UR
6	93332-000U3	BEARING	1	
		ROULEMENT		
7	688-45567-01	SHIM (T:0.10MM)	1	UR
		CALE (T:0.10MM)		UR
	688-45567-10	SHIM (T:0.12MM)	1	UR
		CALE (T:0.12MM)		UR
	688-45567-20	SHIM (T:0.15MM)	1	UR
		CALE (T:0.15MM)		UR
	688-45567-30	SHIM (T:0.18MM)	1	UR
		CALE (T:0.18MM)		UR
	688-45567-40	SHIM (T:0.30MM)	1	UR
		CALE (T:0.30MM)		UR
	688-45567-50	SHIM (T:0.40MM)	1	UR
		CALE (T:0.40MM)		UR
	688-45567-60	SHIM (T:0.50MM)	1	UR
		CALE (T:0.50MM)		UR
8	93332-00095	BEARING	1	
		ROULEMENT		
9	90340-08002	PLUG, STRAIGHT SCREW	1	
		PLOT, FILETE DROIT		
10	688-45341-10	PLUG, DRAIN	1	
		BOUCHON DE VIDANGE		
11	90430-08003	GASKET	2	
		JOINT		
12	663-45376-00	GUIDE, SEAL DAMPER	1	
		BUTEE, JOINT CAOUTCHOUC		
13	688-45375-00	DAMPER, SEAL	1	
		BOURRELET, CAOUTCHOUC		
14	688-45321-00	PLATE	1	
		PLAQUETTE		

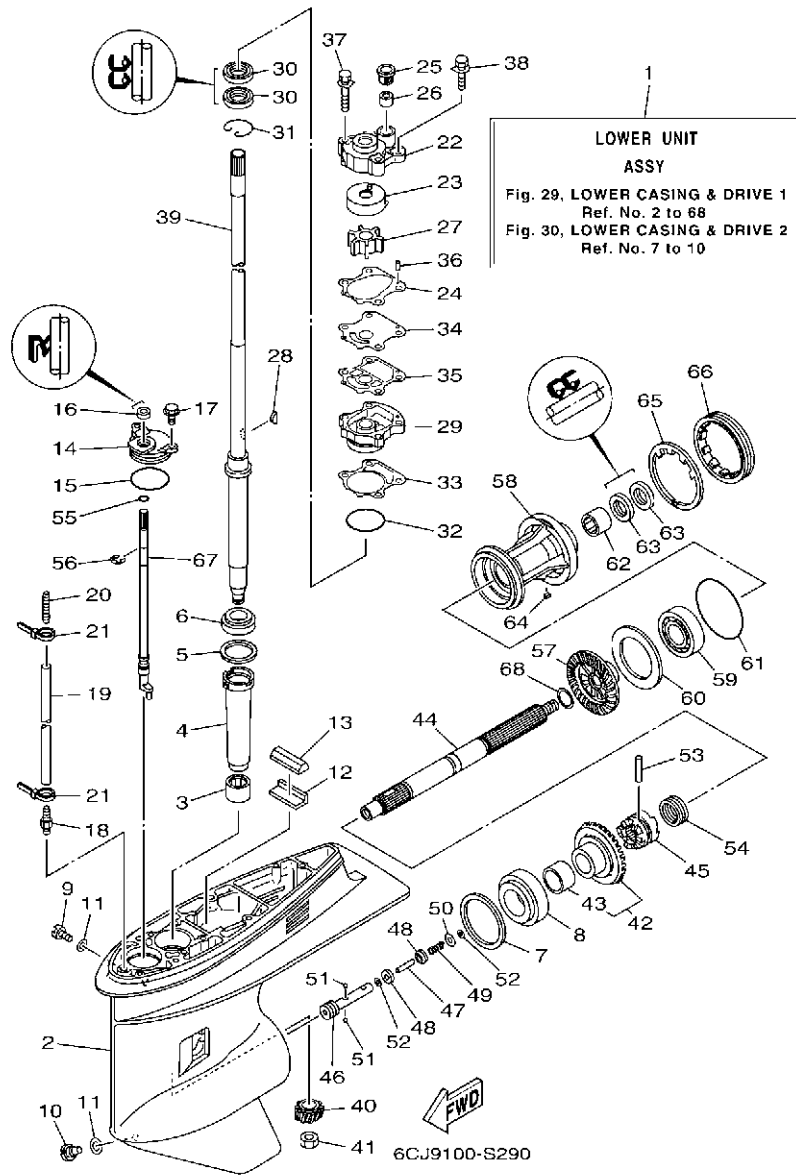


FIG. 29 LOWER CASING & DRIVE 1

BOITIER D'HELICE TRANSMISSION1

REF. NO.	PART NO. N° PIECES	DESCRIPTION DESCRIPTION	6CJA			REMARKS REMARQUES
15	93210-49046	O-RING JOINT TORIQUE	1			
16	93106-09014	OIL SEAL JOINT SPY	1			
17	97E95-06516	BOLT, HEXAGON W/W DEEP RECESS VIS HEXAGONAL AVC RONDELLE	2			
18	6E5-45378-00	NIPPLE, HOSE RACCORD, TUYAU	1			
19	90445-07ME8	HOSE (L80) DURITE (L80)	1			L(21.0") L(21.0")
	90445-07M31	HOSE (L200) DURITE (L200)	1			X(25.5") X(25.5")
20	6E5-83558-10	END, NIPPLE RACCORD DE NIPPLE	1			
21	90465-11M10	CLAMP BRIDE	2			
22	6CJ-44311-00	HOUSING, WATER PUMP CORPS, POMPE A EAU	1			
23	63D-44322-00	INSERT, CARTRIDGE CUVETTE	1			
24	6CJ-44315-00	GASKET, WATER PUMP JOINT, POMPE A EAU	1			
25	63D-44312-00	COVER, WATER PUMP HOUSING COUVERCLE	1			
26	663-44366-00	DAMPER, WATER SEAL 2 JOINT, TUBE D'EAU 2	1			
27	6H3-44352-00	IMPELLER TURBINE	1			
28	90280-03M03	KEY, WOODRUFF CLAVETTE, DEMI-LUNE	1			
29	6CJ-44341-00-CA	HOUSING, WATER PUMP CORPS, POMPE A EAU	1			
30	93101-23070	OIL SEAL JOINT SPY	2			
31	93450-40165	CIRCLIP CIRCLIP	1			
32	93210-46044	O-RING JOINT TORIQUE	1			
33	6CJ-44316-00	GASKET, WATER PUMP JOINT, POMPE A EAU	1			
34	6CJ-44323-00	OUTER PLATE, CARTRIDGE PLAQUE EXTERIEURE	1			
35	6CJ-44324-00	GASKET, CARTRIDGE JOINT	1			
36	93604-10M03	PIN, DOWEL CLAVETTE	2			
37	90119-08M33	BOLT, WITH WASHER BOULON, AVEC RONDELLE	2			
38	90119-08M14	BOLT, WITH WASHER BOULON, AVEC RONDELLE	2			
39	64J-45501-30	DRIVE SHAFT COMP. ARBRE MOTEUR COMP.	1			L(21.0") L(21.0")
	64J-45501-40	DRIVE SHAFT COMP. ARBRE MOTEUR COMP.	1			X(25.5") X(25.5")

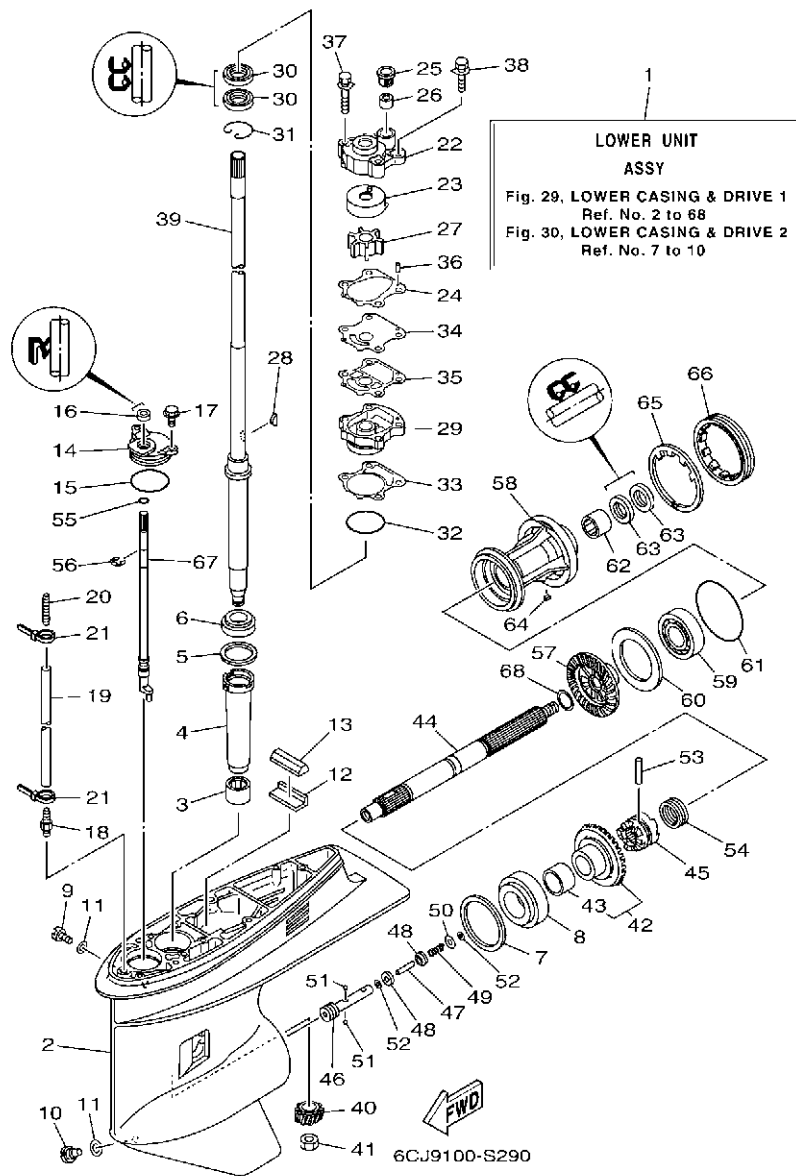


FIG. 29 LOWER CASING & DRIVE 1

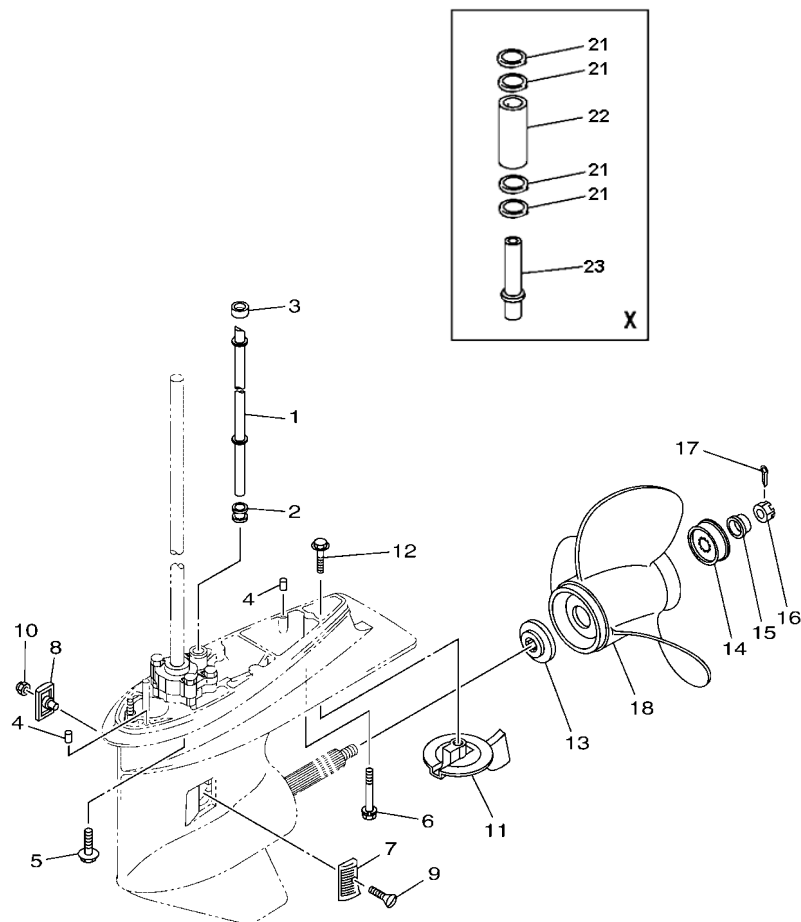
BOITIER D'HELICE TRANSMISSION1

REF. NO.	PART NO. N° PIECES	DESCRIPTION DESCRIPTION	6CJA	REMARKS REMARQUES
40	6CJ-45551-00	PINION (12T) PIGNON D'ATTAQUE (12D)	1	
41	90170-16M01	NUT ECROU	1	
42	6CJ-45560-00	GEAR 1 (28T) PIGNON 1 (28T)	1	
43	93317-322V0	.BEARING .ROULEMENT	1	
44	67F-45611-01	SHAFT, PROPELLER ARBRE, HELICE	1	
45	6D8-45631-00	CLUTCH, DOG CRABOT	1	
46	67F-45634-00	SLIDE, SHIFT CONTRE-POUSOIR	1	
47	6H1-45668-00	SHAFT, FREE 1 AXE 1	1	
48	6H1-45635-00	PLUNGER, SHIFT POUSOIR D'EMBRAYAGE	2	
49	90501-12M48	SPRING, COMPRESSION RESSORT, COMPRESSION	1	
50	90201-03313	WASHER, PLATE RONDELLE, PLATE	1	
51	93503-16003	BALL BILLES	2	
52	90183-02M03	NUT, SPRING ECROU, RESSORT	2	
53	90250-07M02	PIN, STRAIGHT GOUPILLE, DROITE	1	
54	688-45633-00	RING, CROSS PIN JONC, GOUPILLE CRABOT	1	
55	93210-07003	O-RING JOINT TORIQUE	1	
56	99001-08600	CIRCLIP CIRCLIP	1	
57	68S-45571-00	GEAR 2 (28T) PIGNON 2 (28T)	1	
58	67F-45331-00-CA	HOUSING, BEARING FLASQUE, ROULEMENT	1	
59	93306-207U0	BEARING ROULEMENT	1	
60	67F-45576-00	WASHER, THRUST 2 RONDELLE DE CALAGE 2	1	
61	93210-86M39	O-RING JOINT TORIQUE	1	
62	93317-325U0	BEARING ROULEMENT	1	
63	93101-25M03	OIL SEAL JOINT SPY	2	
64	90282-04010	KEY, STRAIGHT CLAVETTE, DROITE	1	
65	688-45383-02	WASHER, CLAW FREIN D'ECROU	1	
66	688-45384-02	NUT ECROU	1	



FIG. 30 LOWER CASING & DRIVE 2

BOITIER D'HELICE TRANSMISSION2

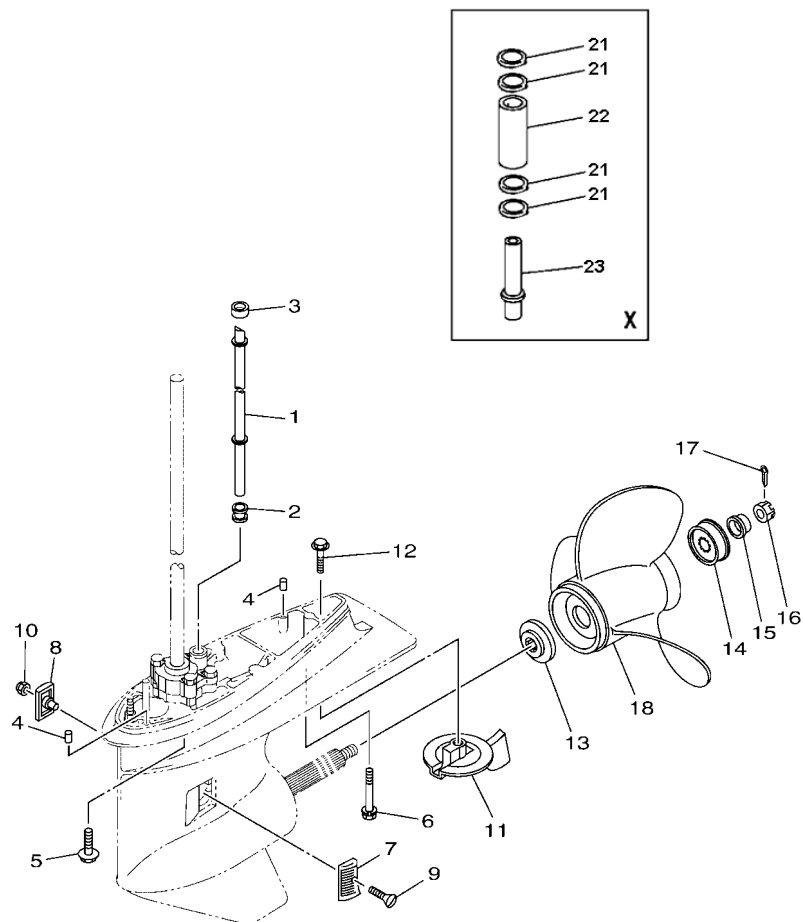


  
6CJ8100-R300

REF. NO.	PART NO. N° PIECES	DESCRIPTION DESCRIPTION	6CJ8	REMARKS REMARQUES
1	6CJ-44361-00	TUBE, WATER 1 TUBE D'EAU 1	1	L(21.0") L(21.0")
2	663-44367-00	WATER SEAL 3 JOINT TUBE D'EAU 3 DAMPER,	1	
3	663-44366-00	WATER SEAL 2 JOINT, TUBE D'EAU 2 PIN,	1	
4	93606-12019	DOWEL GOUVILLE	2	
5	90119-10068	BOLT, WITH WASHER BOULON, AVEC RONDELLE	4	L(21.0") L(21.0")
6	90119-08M84	BOLT, WITH WASHER BOULON, AVEC RONDELLE	1	L(21.0") L(21.0")
7	6H1-45214-00	COVER, WATER INLET 1 GRILLE, ENTREE D'EAU 1	1	
8	6H1-45215-00	COVER, WATER INLET 2 GRILLE, ENTREE D'EAU 2	1	
9	90151-05M00	SCREW, COUNTERSUNK VIS, TETE NOYEE	1	
10	90185-05002	NUT, NYLON ECROU, AUTO-BLOQUANT	1	
11	67F-45371-00	TAB-TRIM ANODE DERIVE	1	
12	90105-10M67	BOLT, FLANGE BOULON	1	
13	688-45987-01	SPACER 1 ENTRETOISE 1	1	
14	67F-45997-00	SPACER 2 ENTRETOISE 2	1	
15	90389-25M00	BUSH DOUILLE	1	
16	90171-16011	NUT, CASTLE ECROU, CRENELE	1	
17	91490-30025	PIN, COTTER GOUVILLE	1	
18	6E5-45954-00	PROPELLER (3X14"X11"-K) HELICE (3X14"X11"-K)	1	UR
	6E5-45949-00	PROPELLER (3X13-5/8"X13"-K) HELICE (3X13-5/8"X13"-K)	1	UR
	688-45932-60	PROPELLER (3X13-1/2"X14"-K) HELICE (3X13-1/2"X14"-K)	1	UR
	6E5-45958-00	PROPELLER (3X13-5/8"X14"-K) HELICE (3X13-5/8"X14"-K)	1	UR
	6E5-45947-00	PROPELLER (3X13-1/2"X15"-K) HELICE (3X13-1/2"X15"-K)	1	UR
	688-45978-60	PROPELLER (3X13-1/2"X16"-K) HELICE (3X13-1/2"X16"-K)	1	UR
	688-45930-02	PROPELLER (3X13"X17"-K2) HELICE (3X13"X17"-K2)	1	UR
	68V-45941-00	PROPELLER (3X13-1/2"X17"-K) HELICE (3X13-1/2"X17"-K)	1	UR
	6E5-45945-01	PROPELLER (3X13-1/4"X17"-K) HELICE (3X13-1/4"X17"-K)	1	UR

FIG. 30 LOWER CASING & DRIVE 2

BOITIER D'HELICE TRANSMISSION2



REF. NO.	PART NO. N° PIECES	DESCRIPTION DESCRIPTION	6CJA	REMARKS REMARQUES
18	6E5-45941-00	PROPELLER (3X13"X19"-K) HELICE (3X13"X19"-K)	1	UR
	688-45970-03	PROPELLER (3X13"X19"-K) HELICE (3X13"X19"-K)	1	UR
	68V-45943-00	PROPELLER (3X13-1/2"X19"-K) HELICE (3X13-1/2"X19"-K)	1	UR
	688-45972-02	PROPELLER (3X13"X21"-K) HELICE (3X13"X21"-K)	1	UR
	6E5-45943-00	PROPELLER (3X12-5/8"X21"-K) HELICE (3X12-5/8"X21"-K)	1	UR
	6E5-45952-00	PROPELLER (3X13"X23"-K) HELICE (3X13"X23"-K)	1	UR
	688-45974-02	PROPELLER (3X13"X23"-K) HELICE (3X13"X23"-K)	1	UR
	6E5-45956-00	PROPELLER (3X13"X25"-K) HELICE (3X13"X25"-K)	1	UR
	688-45976-01	PROPELLER (3X13"X25"-K) HELICE (3X13"X25"-K)	1	UR
21	3570270	O-RING JOINT TORIQUE	4	X(25.5") X(25.5")
22	7080730	EXTENSION EXTENSION	1	X(25.5") X(25.5")
23	6580350	EXTENSION 2 EXTENSION 2	1	X(25.5") X(25.5")

**FIG. 31 FUEL TANK 23 L**

**RESEVOIR A ESSENCE 23 L**

REF. NO.	PART NO. NO. PIECES	DESCRIPTION DESCRIPTION					REMARKS REMARQUES
1	8085080	COMPLETE FUEL TANK 23 L RESEVOIR A ESSENCE (ENS.) 23 L				1	
2	3540275	GASKET JOINT				1	
3	1598845	FUEL TANK PLUG (POS. NO 2+3) BOUCHON (ENS.) (POS. 2+3)				1	
4	8055085	COMPLETE FUEL SUCTION DURITE DE SUCCION				1	
5	7080500	CLAMP COLLIER				1	
6	8050270	FUEL HOSE DURITE A ESSENCE				1	
7	7080490	CLAMP COLLIER				1	
8	6G1-24305-01	FUEL CONNECTOR - FEMALE DURITE RACCORDMENT A ESSENCE				1	
	1575270	FUEL TANK WITH PIPE RESEVOIR A ESSENCE + DURITE				1	
	1581280	COMPLETE PIPE (POS.NO. 5+6+7) DURITE A ESSENCE (ENS) (POS. 5+6+7)				1	

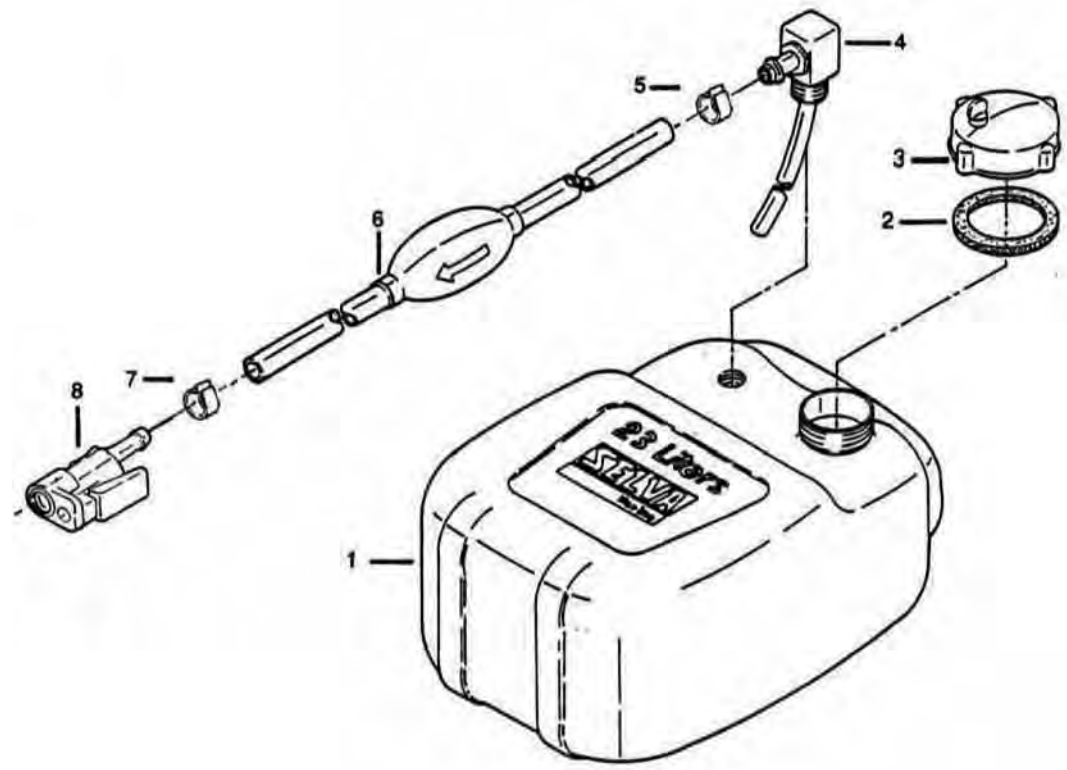
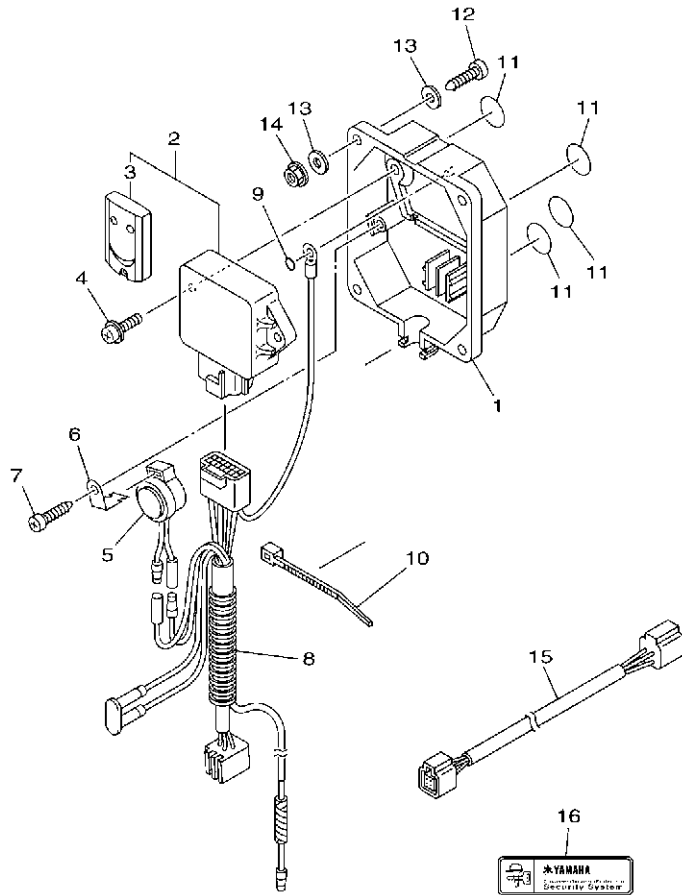






FIG. 33 OPTIONAL PARTS 1

PIECES OPTIONNELLES 1



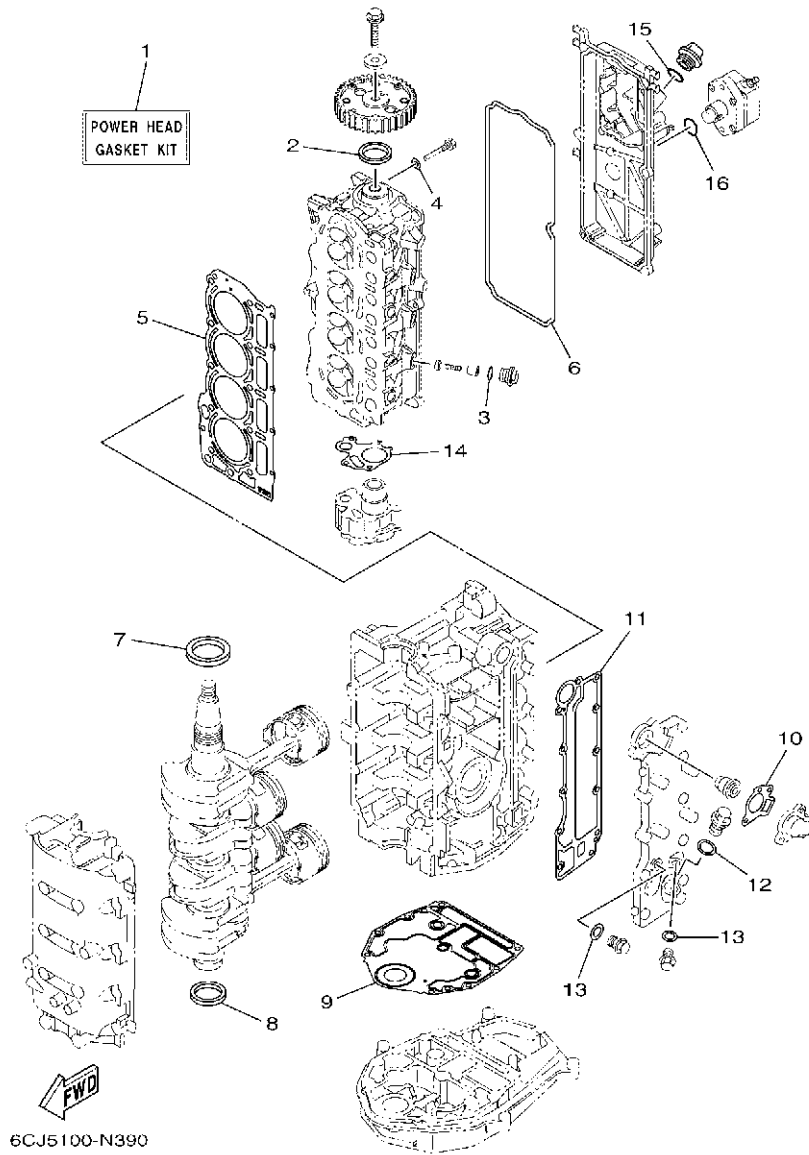
REF. NO.	PART NO. N° PIECES	DESCRIPTION DESCRIPTION	6CJ/A			REMARKS REMARQUES
1	6Y8-86267-00	CASE COMPLETE 1 CARTER (ENS.) 1	1			
2	6Y8-86260-03	REMOTE CONTROL UNIT ASSY UNITE DE TELECOMMANDE (ENS.)	1			
3	6AA-86261-01	.XMTR. COMP. .XMTR. COMP.	2			
4	97980-06216	SCREW, WITH WASHER VIS, AVEC RONDELLE	2			
5	6X4-83383-00	BUZZER RONFLEUR	1			
6	6X4-83386-00	STAY, BUZZER SUPPOR, RONFLEUR	1			
7	97780-60620	SCREW, TAPPING VIS, TETE BOMBEE	1			
8	6Y8-82509-10	WIRE, SUB LEAD FIL, SECONDAIRE	1			
9	93210-04279	O-RING JOINT TORIQUE	1			
10	90465-11M10	CLAMP BRIDE	1			
11	6Y8-8454G-00	PATCH 1 TAMPON 1	4			
12	90167-06M00	SCREW, TAPPING VIS, TETE FRAISEE	4			UR
	97880-06035	SCREW, PAN HEAD VIS, TETE TRONCONIQUE	4			UR
13	90201-06M30	WASHER, PLATE RONDELLE, PLATE	8			UR
14	95780-06300	NUT, FLANGE ECROU	4			
15	6Y8-82521-11	2FT PIGTAIL BUS FAISCEAU (L: 2FT.)	1			
16	6Y8-48277-00	STICKER 1 ETIQUETTE 1	4			

6CJ1100-K370

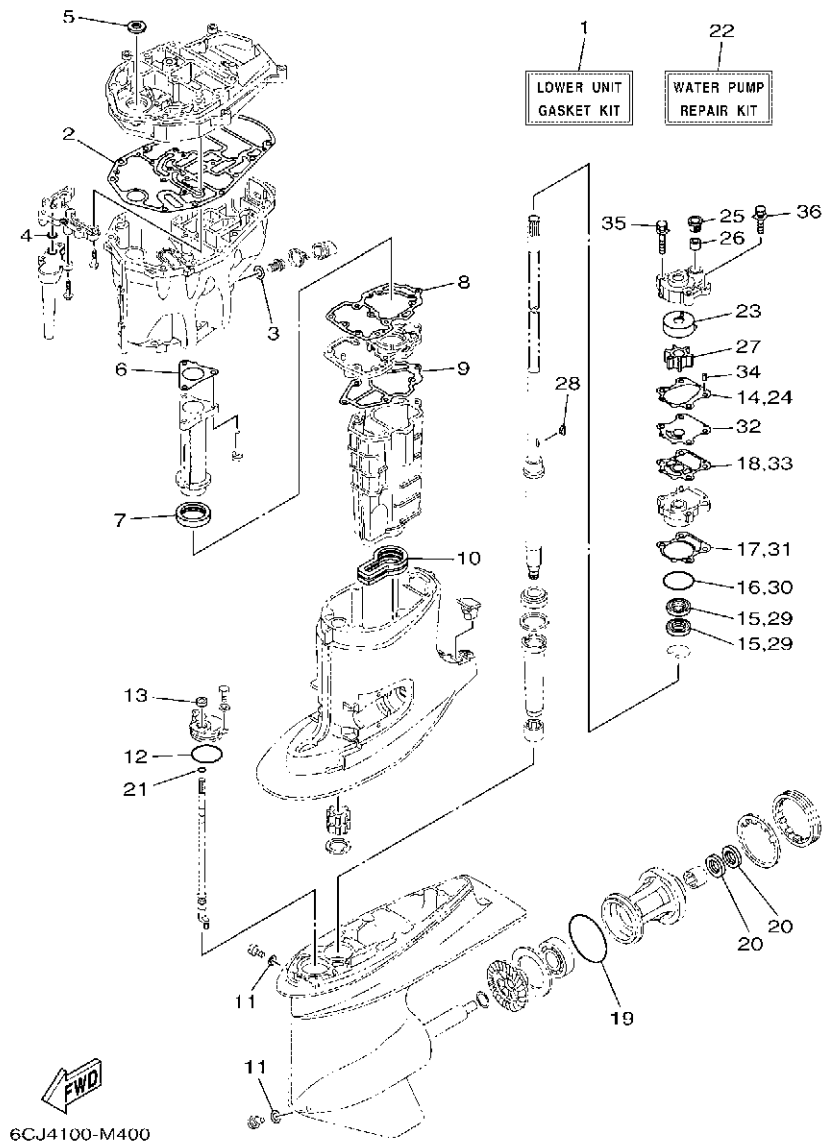


FIG. 35 REPAIR KIT 1

KITS DE REPARATION 1



REF. NO.	PART NO. N° PIECES	DESCRIPTION DESCRIPTION	6CJ/A				REMARKS REMARQUES
1	6CJ-W0001-01	POWER HEAD GASKET KIT POCHETTE DE JINTS TETE MOTRICE	1				
2	93102-37M40	.OIL SEAL .JOINT SPY	1				
3	93210-13M63	.O-RING .JOINT TORIQUE	3				
4	90430-06014	.GASKET .JOINT	1				
5	6CJ-11181-00	.GASKET, CYLINDER HEAD 1 .JOINT, DE CULASSE 1	1				
6	6CJ-11356-00	.SEAL, CYLINDER 2 .JOINT, SPY CYLINDRE	1				
7	93102-43004	.OIL SEAL .JOINT SPY	1				
8	93101-35002	.OIL SEAL .JOINT SPY	1				
9	6BG-11351-00	.GASKET, CYLINDER .JOINT, D'EMBASE	1				
10	62Y-12414-00	.GASKET, COVER .JOINT, COUVERCLE	1				
11	6C5-41114-10	.GASKET, EXHAUST OUTER COVER .JOINT, COUVERCLE D'ECHAPPEMENT	1				
12	90201-186F1	.WASHER, PLATE .RONDELLE, PLATE	1				
13	90430-14115	.GASKET .JOINT	2				
14	6C5-13329-00	.GASKET, PUMP COVER .JOINT, COUVERCLE DE POMPE	1				
15	93210-24M79	.O-RING .JOINT TORIQUE	1				
16	93210-24M79	.O-RING .JOINT TORIQUE	1				



6CJ4100-M400

FIG. 36 REPAIR KIT 2

KITS DE REPARATION 2

REF. NO.	PART NO. N° PIECES	DESCRIPTION DESCRIPTION	6CJA				REMARKS REMARQUES
1	6CJ-W0001-21	LOWER UNIT GASKET KIT POCHETTE DE JOINTS EMBASE	1				
2	6C5-15312-01	.GASKET, OIL PAN .JOINT DE VENTILATEUR D'HUILE	1				
3	90430-14M09	.GASKET .JOINT	1				
4	93210-12790	.O-RING .JOINT TORIQUE	1				
5	93103-18011	.OIL SEAL .JOINT SPY	1				
6	6C5-41133-00	.GASKET, EXHAUST MANIFOLD 1 .JOINT, PIPE D'ECHAPPEMENT	1				
7	6C5-46132-00	.GASKET 1 .JOINT 1	1				
8	6C5-41134-00	.GASKET, EXHAUST MANIFOLD .JOINT, PIPE D'ECHAPPEMENT	1				
9	6C5-41135-00	.GASKET, EXHAUST MANIFOLD .JOINT, PIPE D'ECHAPPEMENT	1				
10	6C5-45123-00	.GASKET, MUFFLER .JOINT, POT DE DETENTE	1				
11	90430-08003	.GASKET .JOINT	2				
12	93210-49046	.O-RING .JOINT TORIQUE	1				
13	93106-09014	.OIL SEAL .JOINT SPY	1				
14	6CJ-44315-00	.GASKET, WATER PUMP .JOINT, POMPE A EAU	1				
15	93101-23070	.OIL SEAL .JOINT SPY	2				
16	93210-46044	.O-RING .JOINT TORIQUE	1				
17	6CJ-44316-00	.GASKET, WATER PUMP .JOINT, POMPE A EAU	1				
18	6CJ-44324-00	.GASKET, CARTRIDGE .JOINT	1				
19	93210-86M39	.O-RING .JOINT TORIQUE	1				
20	93101-25M03	.OIL SEAL .JOINT SPY	2				
21	93210-07003	.O-RING .JOINT TORIQUE	1				
22	6CJ-W0078-00	WATER PUMP REPAIR KIT KIT DE REPARATION DE LA POMPE	1				
23	63D-44322-00	.INSERT, CARTRIDGE .CUVETTE	1				
24	6CJ-44315-00	.GASKET, WATER PUMP .JOINT, POMPE A EAU	1				
25	63D-44312-00	.COVER, WATER PUMP HOUSING .COUVERCLE	1				
26	663-44366-00	.DAMPER, WATER SEAL 2 .JOINT, TUBE D'EAU 2	1				
27	6H3-44352-00	.IMPELLER .TURBINE	1				

