

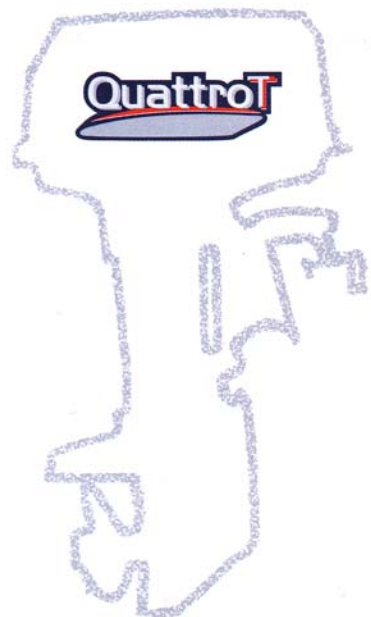
# *Spearfish 100*

*Production year 2019*

*Production année 2019*

## **PARTS CATALOGUE**

## **CATALOGUE DE PIÈCES DÉTACHÉES**



ENGINE STARTING SERIAL NUMBER: 1003337



# FOREWORD

This Parts Catalogue is related to the parts for the model(s) on the cover page. When you are ordering replacement parts, please refer to this Parts Catalogue and quote both part numbers and part names correctly.

1. Modifications or additions which have been made after the issue of the Parts Catalogue will be announced in the Parts News.  
It is advisable that you make the necessary corrections to the Parts Catalogue according to the Parts News.

2. Abbreviations

The following abbreviations are used in this Parts Catalogue.

“UR” Use specified parts number.

“UN” Use as many as needed.

“AP” Alternate Parts

“LM” Locally Made (Parts need to be ordered locally)

“F#” Frame No. (Applicable machine No.)

“O/S” Over Size

3. The number of components for assembly

- Parts, which are to be supplied in an assembly, are listed with a dot (.) in front of the part name as shown below.
- The numeral appearing to the right of each component part indicates the quantity of parts for each assembly unit.

PART NO.	DESCRIPTION	Q'TY	REMARKS
2F5-83310-60	FRONT FLASHER LIGHT ASSY	2	
115-83311-60	.BULB (6V-18W)	1	

4. Applicable colours of graphics are represented in the “REMARKS” as shown below.

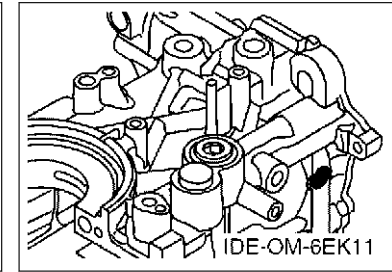
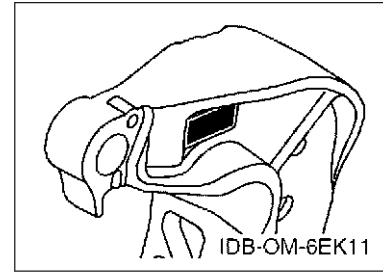
PART NO.	DESCRIPTION	Q'TY	REMARKS
2N4-24110-00-X5	FUEL TANK COMP.	2	MXR
3J1-24240-10	.GRAPHIC, FUEL TANK	1	FOR MXR

5. Note that the illustrations for reference in finding parts numbers are not to be used for assembling. When assembling, please use the applicable service manual.

6. The asterisk (\*) before a reference number indicates modified items after the first edition.

7. Applicable Serial No.

Engine Serial No.



8. Applicable Engine Starting Serial No.

Model	Serial No.	Model	Serial No.
F80D	6HV-1001283	F100F	6HJ-1003337

9. Applicable Colour Code

Abbreviation	Colour Name	Colour Code
DBN1	DARK BLUISH GRAY 1	008D

10. Quantity Column Information

Column No.	Name Of Q'ty Column	Applicable Model
1	6HV3	F80DET
2	6HJ3	F100FET

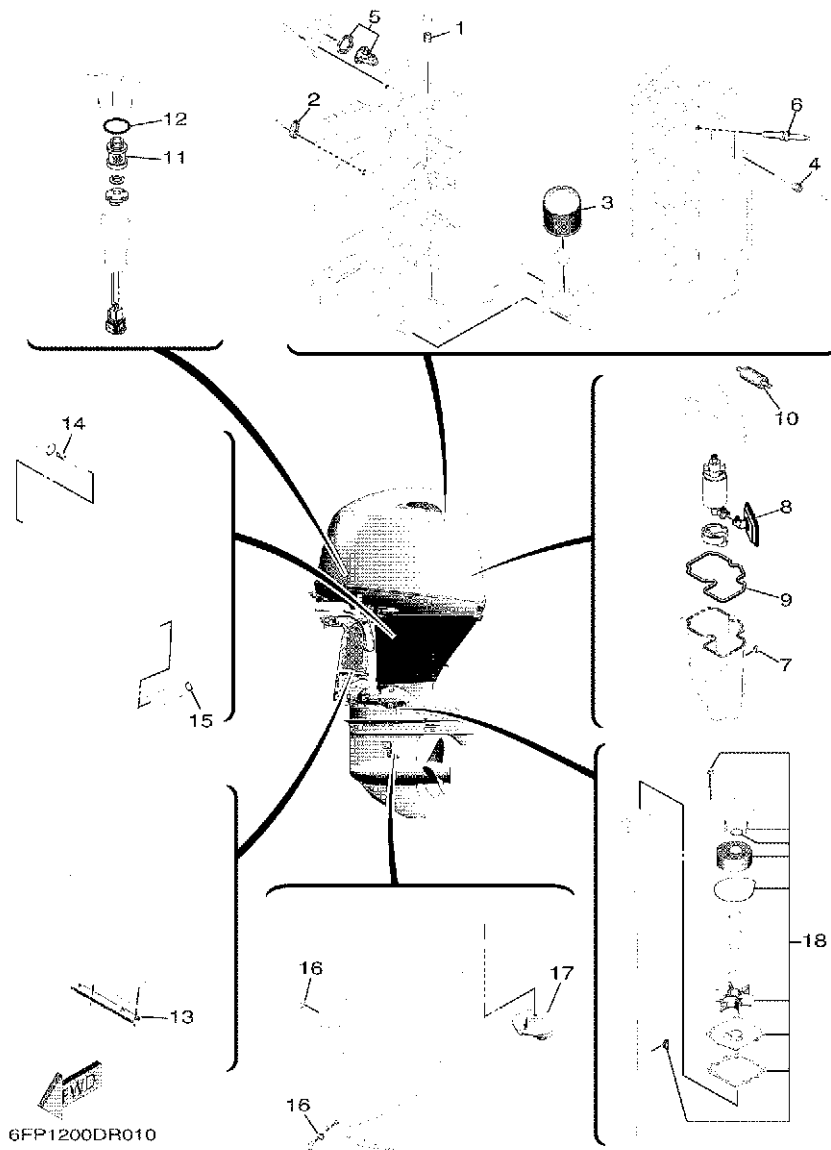


FIG. 1 SCHEDULED SERVICE PARTS

PIECES MAINTENANCE PERIODIQUE

REF. NO.	PART NO. N° PIECES	DESCRIPTION DESCRIPTION	6HJ3		REMARKS REMARQUES
1	6G8-11325-00	ANODE	1		
2	63P-11325-01	ANODE	1		
3	5GH-13440-70	ELEMENT ASSY, OIL CLEANER ELEMENT, FILTRE A HUILE	1		
4	6G8-11325-00	ANODE	2		
5	6FP-12411-00	THERMOSTAT	1		
6	94702-00440	PLUG, SPARK (NGK LKR6E 9N) BOUGIE D, ALLUMAGE NGK LKR6E 9N	4		
7	63P-11325-21	ANODE	1		
8	6FP-13915-00	FILTER	1		
9	6FP-14984-00	GASKET, FLOAT CHAMBER JOINT, CUVE DE FLOTTEUR	1		
10	6C5-24251-00	STRAINER 1 FILTRE 1	1		
11	6D8-24563-00	ELEMENT, FILTER	1		
12	6D8-24564-00	ELEMENT, FILTRE	1		
13	6H1-45251-03	GASKET	1		
14	6G8-11325-00	ANODE	1		
15	90430-14M09	ANODE	1		
16	90430-08003	GASKET	1		
17	90430-08003	JOINT	2		
18	6E5-45371-01	TAB-TRIM	1		
19	68V-W0078-00	ANODE DERIVE	1		
20	68V-W0078-00	WATER PUMP REPAIR KIT KIT DE REPARATION DE LA POMPE	1		

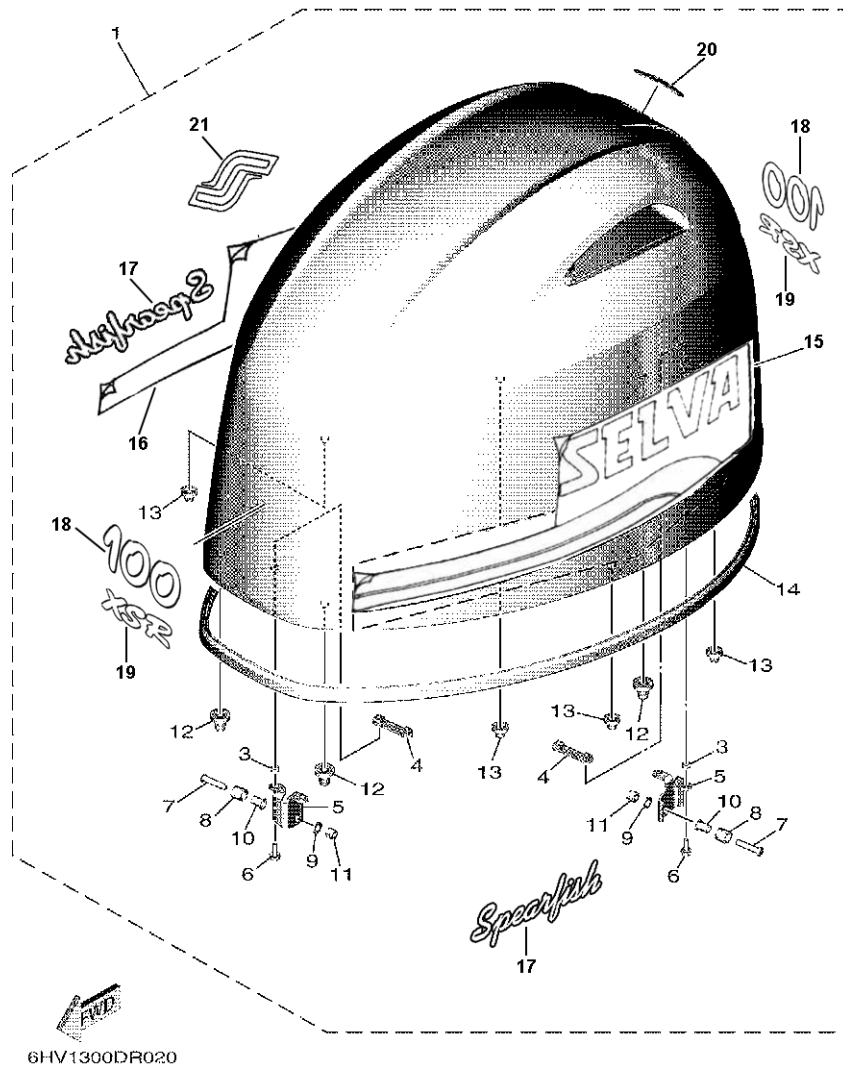


FIG. 2 TOP COWLING

CAPOT SUPERIEUR

REF. NO.	PART NO. N° PIECES	DESCRIPTION DESCRIPTION	6HJ3		REMARKS REMARQUES
1	1504980	TOP COWLING ASSY CAPOT (ENS.)	1		
	1504982	TOP COWLING ASSY CAPOT (ENS.)	1		XSR
3	90387-07046	.COLLAR .COLLERETTE	4		
4	6EK-42646-00	.PLATE, CLAMP .PLAQUE, PRESSE	2		
5	6FP-42647-00	.HOLDER, CLAMP BAND .SUPPORT, SANDOW DE SERRAGE	2		
6	90105-06039	.BOLT, FLANGE .BOULON, A COLLERETTE	4		
7	90111-08078	.BOLT, HEX. SOCKET BUTTON .BOULON	2		
8	90387-10094	.COLLAR .COLLERETTE	2		
9	92990-08600	.WASHER, PLATE .RONDELLE, PLATE	2		
10	90387-08M45	.COLLAR .COLLERETTE	2		
11	95780-08300	.NUT, FLANGE .ECROU	2		
12	68F-42663-00	.DAMPER 2 .AMORTISSEUR 2	3		
13	663-42662-00	.DAMPER .AMORTISSEUR	4		
14	6FP-42615-01	.SEAL .JOINT	1		
15	8093540	.GRAPHIC, LEFT .ADHESIF, GAUCHE	1		
	8093550	.GRAPHIC, LEFT .ADHESIF, GAUCHE	1		XSR
16	8093545	.GRAPHIC, RIGHT .ADHESIF, DROIT	1		
	8093555	.GRAPHIC, RIGHT .ADHESIF, DROIT	1		XSR
17	8093575	.GRAPHIC, SPEARFISH .ADHESIF, SPEARFISH	1		
18	8093210	.GRAPHIC, 100 .ADHESIF, 100	2		
19	8093435	.GRAPHIC, XSR .ADHESIF, XSR	2		XSR
20	8093512	.GRAPHIC, SELVA .EMBLEME, SELVA	1		
21	8093516	.GRAPHIC, S .ADHESIF, S	1		
	1534685	.GRAPHIC, SET .JEU, D'EMBLEMES	1		
	1534690	.GRAPHIC, SET .JEU, D'EMBLEMES	1		XSR

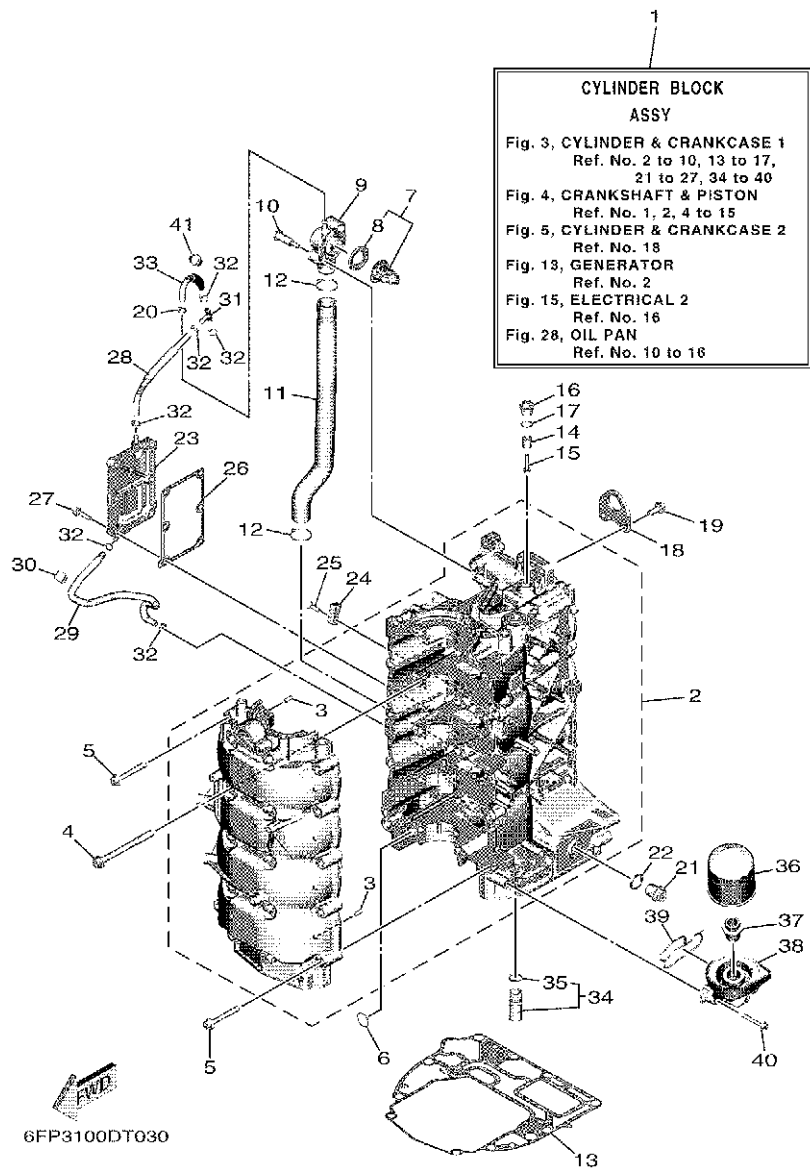
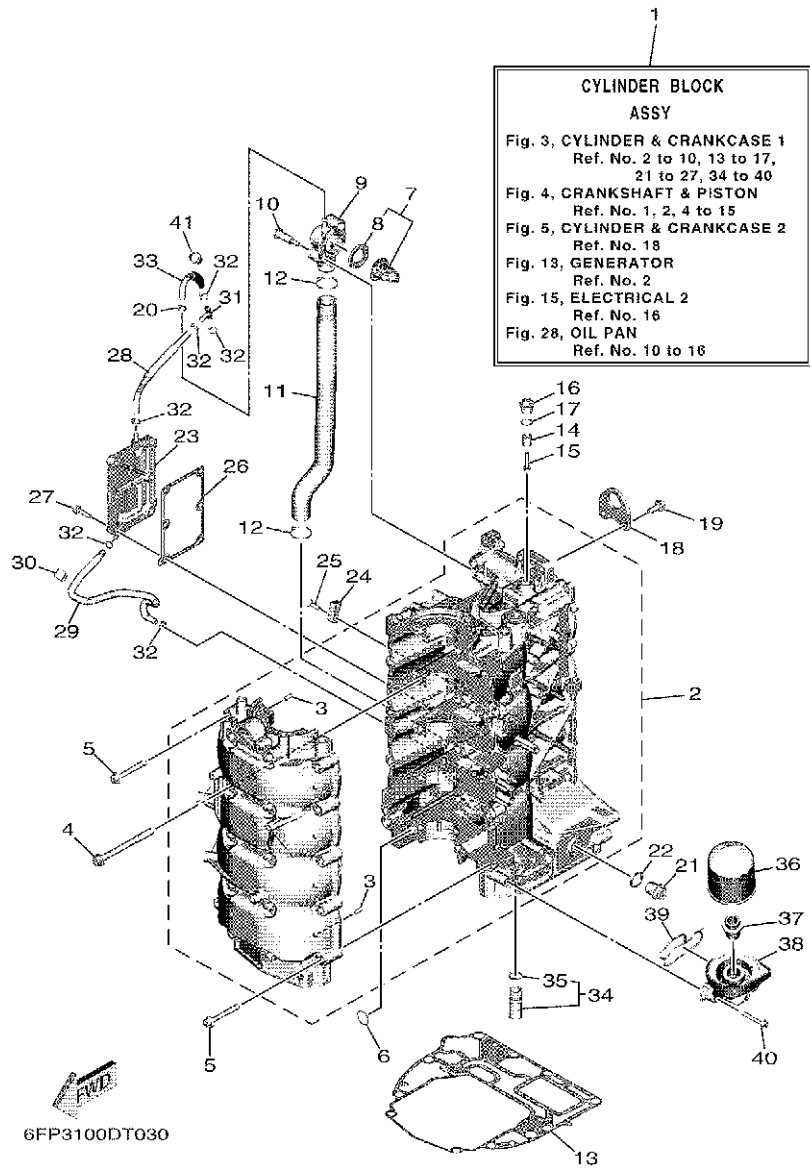


FIG. 3 CYLINDER & CRANKCASE 1

CYLINDRE & CARTER 1

REF. NO.	PART NO. N° PIECES	DESCRIPTION DESCRIPTION	6HVS	6HJ3	REMARKS REMARQUES
1	6FP-W009B-01-9S	CYLINDER BLOCK ASSY CYLINDRE GROUPE (ENS.)	1	1	
2	6FP-15109-02-9S	CRANKCASE ASSY CARTER DE MOTEUR COMPLET	1	1	
3	93606-12019	.PIN, DOWEL .GOUVILLE	10	10	
4	90119-10057	BOLT, WITH WASHER BOULON, AVEC RONDELLE	10	10	
5	90105-08170	BOLT, FLANGE BOULON, A COLLERETTE	10	10	
6	93210-19MJ1	O-RING JOINT TORIQUE	1	1	
7	6FP-12411-00	THERMOSTAT THERMOSTAT	1	1	
8	6EK-12412-00	.SEAL, THERMOSTAT .JOINT, THERMOSTAT	1	1	
9	6EK-12413-00	COVER, THERMOSTAT COUVERCLE, THERMOSTAT	1	1	
10	90109-06286	BOLT BOULON	2	2	
11	6EK-1243A-00	HOSE 1 DURITE 1	1	1	
12	90465-11M59	CLAMP BRIDE	2	2	
13	6EK-11351-00	GASKET, CYLINDER JOINT, D'EMBASE	1	1	
14	6G8-11325-00	ANODE ANODE	1	1	
15	98980-05025	SCREW, BIND VIS, DE PRESSION	1	1	
16	6G8-11197-A0	PLUG, BLIND PLOT, BORGNE	1	1	
17	93210-13M63	O-RING JOINT TORIQUE	1	1	
18	6FP-11119-00	HANGER, ENGINE ANNEAU, LEVAGE	1	1	
19	95D95-08020	BOLT, FLANGE DEEP RECESS BOULON FIXATION	2	2	
20	90465-11M10	CLAMP BRIDE	1	1	
21	90340-18M09	PLUG, STRAIGHT SCREW PLOT, FILETE DROIT	1	1	
22	90201-186F1	WASHER, PLATE RONDELLE, PLATE	1	1	
23	6FP-15414-00-9S	COVER 1 COUVERCLE 1	1	1	
24	63P-11325-01	ANODE ANODE	1	1	
25	90151-06M02	SCREW, COUNTERSUNK VIS, TETE NOYEE	1	1	
26	6FP-15353-00	GASKET, DRAIN JOINT, PLOT DE VIDANGE	1	1	
27	90105-06037	BOLT, FLANGE BOULON, A COLLERETTE	6	6	



**FIG. 3 CYLINDER & CRANKCASE 1**

**CYLINDRE & CARTER 1**

REF. NO.	PART NO. N° PIECES	DESCRIPTION DESCRIPTION	6HVS	6HJ3	REMARKS REMARQUES
28	6FP-12483-00	PIPE 3 DURITE 3	1	1	
29	6FP-12484-00	PIPE 4 DURITE 4	1	1	
30	90465-08M83	CLAMP BRIDE	1	1	
31	688-24378-00	PIPE, JOINT 3 DURITE RACCORDEMENT 3	1	1	
32	90465-11M10	CLAMP BRIDE	6	6	
33	6FP-12485-00	PIPE 5 DURITE 5	1	1	
34	6EK-13490-00	RELIEF VALVE ASSY SOUPAPE DE SECURITE COMPLET	1	1	
35	6CB-13473-00	.O-RING .JOINT TORIQUE	1	1	
36	5GH-13440-70	ELEMENT ASSY, OIL CLEANER ELEMENT, FILTRE A HUILE	1	1	
37	90401-20007	BOLT, UNION BOULON, RACCORD	1	1	
38	6FP-13446-00	CONNECTOR CONNECTEUR	1	1	
39	6FP-13475-00	GASKET JOINT	1	1	
40	90105-06151	BOLT, FLANGE BOULON, A COLLERETTE	3	3	
41	90464-13227	CLAMP BRIDE	1	1	

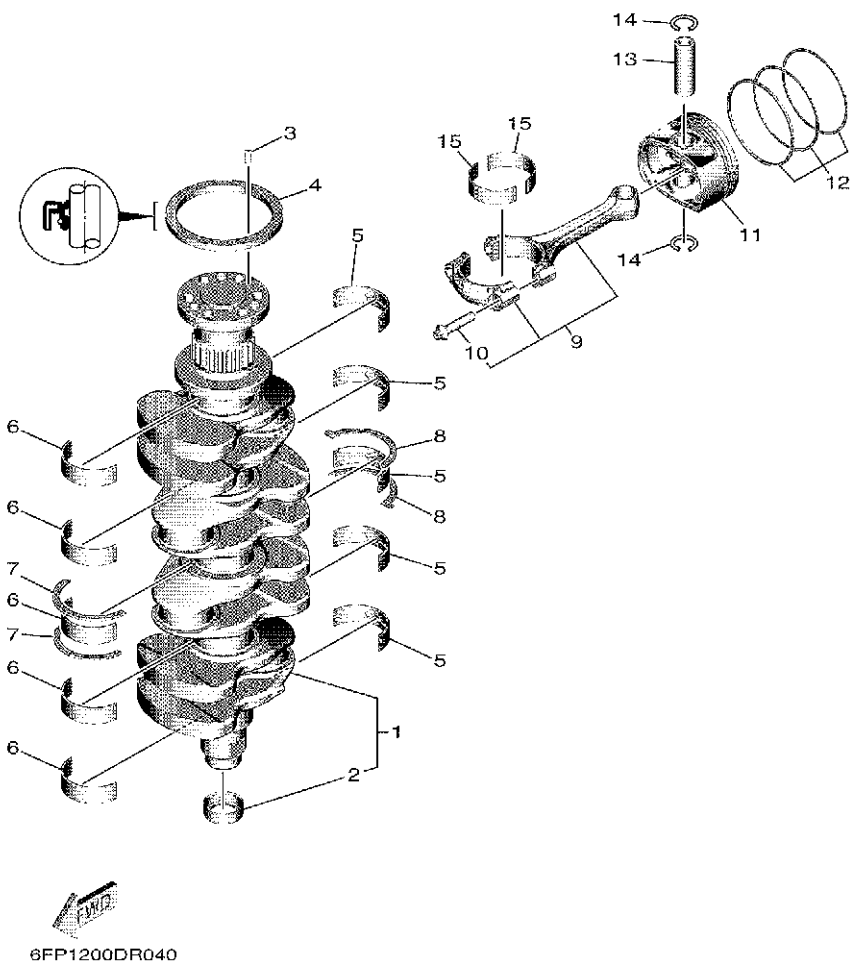


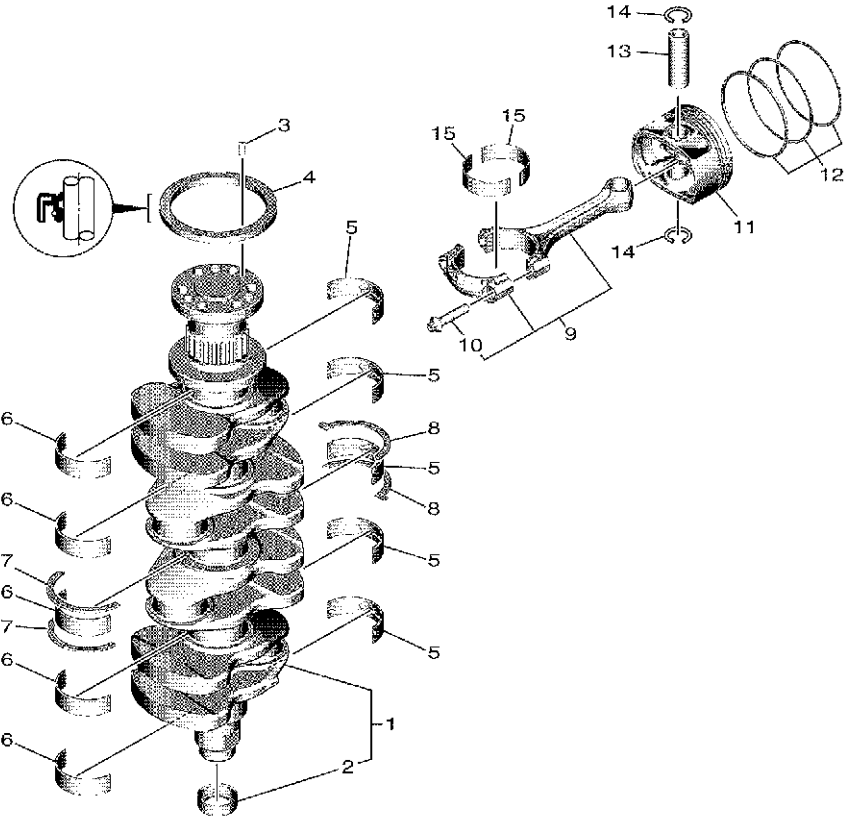
FIG. 4 CRANKSHAFT & PISTON

VILEBREQUIN & PISTON

REF. NO.	PART NO. N° PIECES	DESCRIPTION DESCRIPTION	6HVS	6HJ3	REMARKS REMARQUES
1	6EK-11410-01	CRANKSHAFT VILEBREQUIN COMPLET	1	1	
2	6CB-11478-00	.COLLAR .COLLERETTE	1	1	
3	93606-12019	PIN, DOWEL GOUPILLE	1	1	
4	93102-85008	OIL SEAL JOINT SPY	1	1	
5	6EK-11416-00	PLANE BEARING, CRANKSHAFT 1 COUSSINET DE VILEBREQUIN 1	5	5	UR YELLOW UR YELLOW
6EK-11416-10	PLANE BEARING, CRANKSHAFT 1 COUSSINET DE VILEBREQUIN 1	5	5	UR GREEN UR GREEN	
6EK-11416-20	PLANE BEARING, CRANKSHAFT 1 COUSSINET DE VILEBREQUIN 1	5	5	UR BLUE UR BLUE	
6EK-11416-30	PLANE BEARING, CRANKSHAFT 1 COUSSINET DE VILEBREQUIN 1	5	5	UR RED UR RED	
6EK-11416-40	PLANE BEARING, CRANKSHAFT 1 COUSSINET DE VILEBREQUIN 1	5	5	UR BLACK UR BLACK	
6	6EK-11417-00	PLANE BEARING, CRANKSHAFT 2 COUSSINET DE VILEBREQUIN 2	5	5	UR YELLOW UR YELLOW
6EK-11417-10	PLANE BEARING, CRANKSHAFT 2 COUSSINET DE VILEBREQUIN 2	5	5	UR GREEN UR GREEN	
6EK-11417-20	PLANE BEARING, CRANKSHAFT 2 COUSSINET DE VILEBREQUIN 2	5	5	UR BLUE UR BLUE	
6EK-11417-30	PLANE BEARING, CRANKSHAFT 2 COUSSINET DE VILEBREQUIN 2	5	5	UR RED UR RED	
6EK-11417-40	PLANE BEARING, CRANKSHAFT 2 COUSSINET DE VILEBREQUIN 2	5	5	UR BLACK UR BLACK	
7	6EK-11426-01	BEARING, THRUST 1 ROULEMENT DE BUTEE 1	2	2	
8	6EK-11427-00	BEARING, THRUST 2 ROULEMENT DE BUTEE 2	2	2	
9	6EK-W1165-00	CONNECTING ROD ASSY BIELLE COMPLETE	4	4	
10	K1C-A3275-00	.BOLT, CONNECTING ROD .BOULON, BIELLE	2	2	
11	6FP-11631-00	PISTON (STD) PISTON (STD)	4	4	
6FP-11635-00	PISTON (0.25MM O/S) PISTON (0.25MM O/S)	4	4	AP AP	
12	6EK-11603-00	PISTON RING SET (STD) JEU DE SEGMENTS (STD)	4	4	
6EK-11604-00	PISTON RING SET (0.25MM O/S) JEU DE SEGMENTS (0.25MM O/S)	4	4	AP AP	
13	6EK-11633-00	PIN, PISTON AXE, PISTON	4	4	
14	93450-19052	CIRCLIP CIRCLIP	8	8	
15	6EK-11656-00	PLANE BEARING, CONNECTING ROD ROULEMENT DE BIELLE	8	8	UR YELLOW UR YELLOW
6EK-11656-10	PLANE BEARING, CONNECTING ROD ROULEMENT DE BIELLE	8	8	UR GREEN UR GREEN	
6EK-11656-20	PLANE BEARING, CONNECTING ROD ROULEMENT DE BIELLE	8	8	UR BLUE UR BLUE	

FIG. 4 CRANKSHAFT & PISTON

VILEBREQUIN & PISTON



6FP1200DR040

REF. NO.	PART NO. N° PIECES	DESCRIPTION DESCRIPTION	6HV3	6HJ3	REMARKS REMARQUES
15	6EK-11656-30	PLANE BEARING, CONNECTING ROD ROULEMENT DE BIELLE	8	8	UR RED
	6EK-11656-40	PLANE BEARING, CONNECTING ROD ROULEMENT DE BIELLE	8	8	UR RED UR BLACK UR BLACK



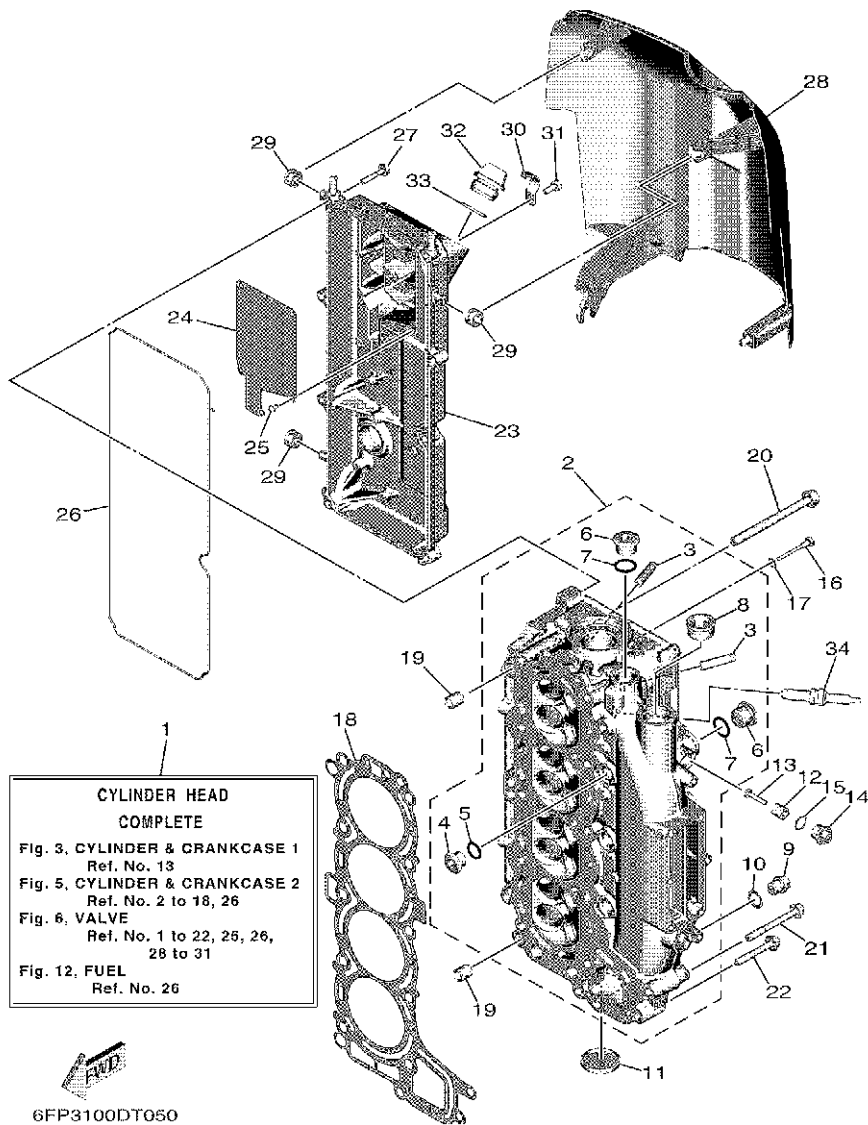


FIG. 5 CYLINDER & CRANKCASE 2

CYLINDRE & CARTER 2

REF. NO.	PART NO. N° PIECES	DESCRIPTION DESCRIPTION	6HVS	6HJ3	REMARKS REMARQUES
1	6FP-W009A-00-9S	CYLINDER HEAD COMPLETE CULASSE (ENS.)	1	1	
2	6FP-11111-00-9S	HEAD, CYLINDER 1 CULASSE, 1	1	1	
3	6DA-11133-10	.GUIDE, VALVE 1 .GUIDE, SOUPAPE 1	16	16	
4	90340-99001	.PLUG, STRAIGHT SCREW .PLOT, FILETE DROIT	3	3	
5	93210-14579	.O-RING .JOINT TORIQUE	3	3	
6	90340-97002	.PLUG, STRAIGHT SCREW .PLOT, FILETE DROIT	4	4	
7	93210-18322	.O-RING .JOINT TORIQUE	4	4	
8	90340-27001	.PLUG, STRAIGHT SCREW .PLOT, FILETE DROIT	1	1	
9	90340-14M06	PLUG, STRAIGHT SCREW PLOT, FILETE DROIT	1	1	
10	90430-14115	GASKET JOINT	1	1	
11	90338-41106	PLUG PLOT	1	1	
12	6G8-11325-00	ANODE ANODE	2	2	
13	98980-05025	SCREW, BIND VIS, DE PRESSION	2	2	
14	6G8-11197-A0	PLUG, BLIND PLOT, BORGNE	2	2	
15	93210-13M63	O-RING JOINT TORIQUE	2	2	
16	90109-06M65	BOLT BOULON	1	1	
17	90430-06014	GASKET JOINT	1	1	
18	6FP-11181-00	GASKET, CYLINDER HEAD 1 JOINT, DE CULASSE 1	1	1	
19	99530-14016	PIN, DOWEL GOUJON, D'ASSEMBLAGE	2	2	
20	90155-10008	SCREW, FLAT FILLISTER VIS, TETE OVALE PLATE	10	10	
21	90105-08220	BOLT, FLANGE BOULON, A COLLERETTE	1	1	
22	90105-08175	BOLT, FLANGE BOULON, A COLLERETTE	2	2	
23	6FP-11191-00	COVER, CYLINDER HEAD 1 COUVERCLE, CULASSE 1	1	1	
24	6FP-11168-00	COVER, BREATHER COUVERCLE, RENIFLARD	1	1	
25	97607-04208	SCREW, WITH WASHER VIS, AVEC RONDELLE	5	5	
26	6FP-11193-00	GASKET, HEAD COVER 1 JOINT, COUVERCLE DE CULASSE 1	1	1	
27	95D95-06030	BOLT, FLANGE DEEP RECESS BOULON FIXATION	8	8	

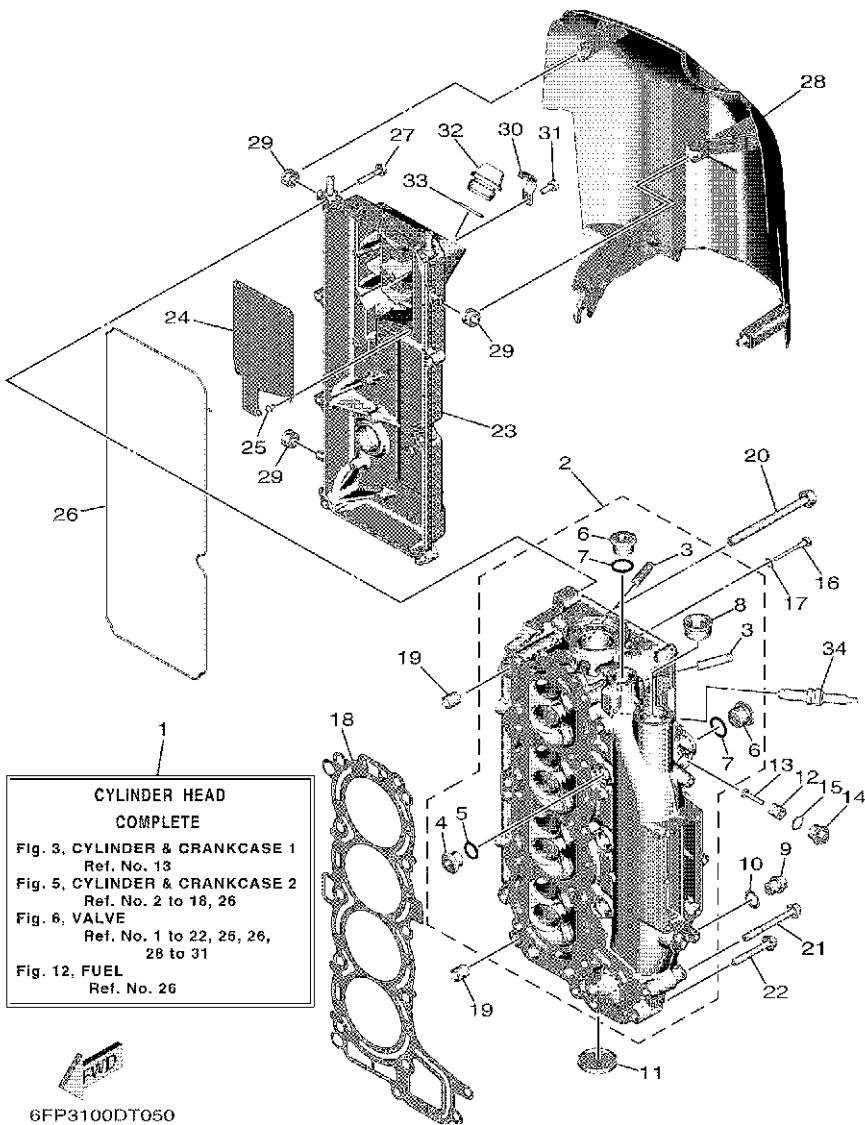


FIG. 5 CYLINDER & CRANKCASE 2

CYLINDRE & CARTER 2

REF. NO.	PART NO. N° PIECES	DESCRIPTION DESCRIPTION	6HV3	6HJ3	REMARKS REMARQUES
28	6FP-11192-00	COVER, CYLINDER HEAD 2 COUVERCLE, CULASSE 2	1	1	
29	90480-12314	GROMMET PASSE-FIL	3	3	
30	6CJ-13428-00	BRACKET, STRAINER 1 SUPPORT, FILTRE 1	1	1	
31	97E95-06516	BOLT, HEXAGON W/W DEEP RECESS VIS HEXAGONAL AVC RONDELLE	1	1	
32	6G8-15363-00	PLUG, OIL PLOT, HUILE	1	1	
33	93210-24M79	O-RING JOINT TORIQUE	1	1	
34	94702-00440	PLUG, SPARK (NGK LKR6E 9N) BOUGIE D, ALLUMAGE NGK LKR6E 9N	4	4	

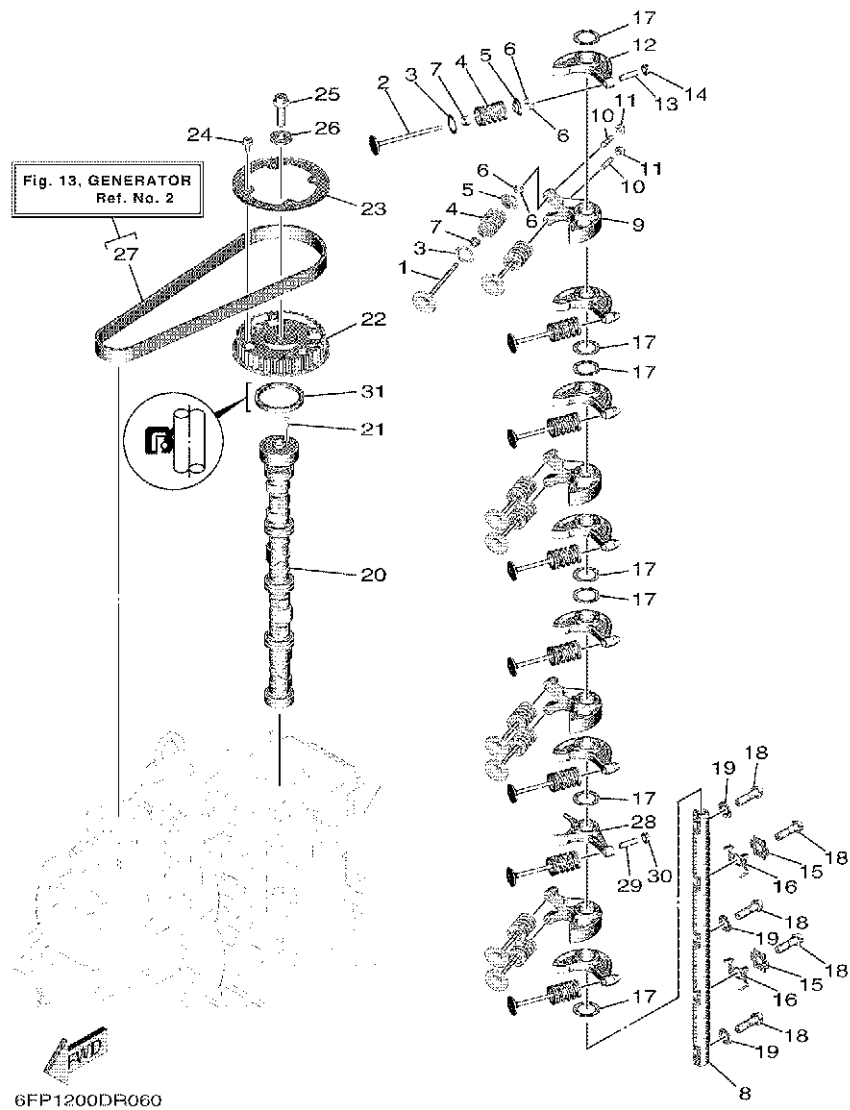


FIG. 6 VALVE

SOUPAPE

REF. NO.	PART NO. N° PIECES	DESCRIPTION DESCRIPTION	6HVS	6HJ3	REMARKS REMARQUES
1	6FP-12111-00	VALVE, INTAKE SOUPAPE, ADMISSION	8	8	
2	6FP-12121-00	VALVE, EXHAUST SOUPAPE, ECHAPPEMENT	8	8	
3	62Y-12116-00	SEAT, VALVE SPRING SIEGE, RESSORT DE SOUPAPE	16	16	
4	6FP-12113-00	SPRING, VALVE INNER RESSORT DE SOUPAPE, INTERNE	16	16	
5	30X-12117-00	RETAINER, VALVE SPRING BUTEE DE RESSORT DE SOUPAPE	16	16	
6	30X-12118-00	LOCK, VALVE SPRING RETAINER FRAISE, SOUPAPE	32	32	
7	51Y-12119-00	SEAL, VALVE STEM JOINT, QUEUE DE SOUPAPE	16	16	
8	6FP-12146-00	SHAFT, ROCKER AXE, CULBUTEUR	1	1	
9	6FP-12151-00	ARM, VALVE ROCKER CULBUTEUR	4	4	
10	6C5-12159-00	SCREW, VALVE ADJUSTING VIS, REGLAGE DE SOUPAPE	8	8	
11	6C5-12158-00	NUT, LOCK CONTRE-ECROU	8	8	
12	6FP-12161-00	ARM, VALVE ROCKER 2 CULBUTEUR 2	7	7	
13	6C5-12159-10	SCREW, VALVE ADJUSTING VIS, REGLAGE DE SOUPAPE	7	7	
14	6C5-12158-10	NUT, LOCK CONTRE-ECROU	7	7	
15	6FP-12231-00	GUIDE, STOPPER 1 GUIDE, BUTEE 1	2	2	
16	6FP-12233-00	PLATE, GUIDE STOPPER 1 PLAQUE, GUIDE BUTEE 1	2	2	
17	90201-21016	WASHER, PLATE RONDELLE, PLATE	7	7	
18	90401-10050	BOLT, UNION BOULON, RACCORD	5	5	
19	92990-10200	WASHER, PLAIN RONDELLE, PLATE	3	3	
20	6FP-12171-00	CAMSHAFT 1 ARBRE A CAMES 1	1	1	
21	93605-14143	PIN, DOWEL AXE	1	1	
22	6FP-11537-00	GEAR, DRIVEN PIGNON SECONDAIRE	1	1	
23	6DA-11557-00	WASHER 1 RONDELLE 1	1	1	
24	95D95-06012	BOLT, FLANGE DEEP RECESS BOULON FIXATION	4	4	
25	95817-10035	BOLT, FLANGE BOULON, A COLLERETTE	1	1	
26	90201-10144	WASHER, PLATE RONDELLE, PLATE	1	1	
27	6FP-W4624-00	BELT (WITH ROTOR BOLTS) COURROIE (AVEC BOULON)	1	1	

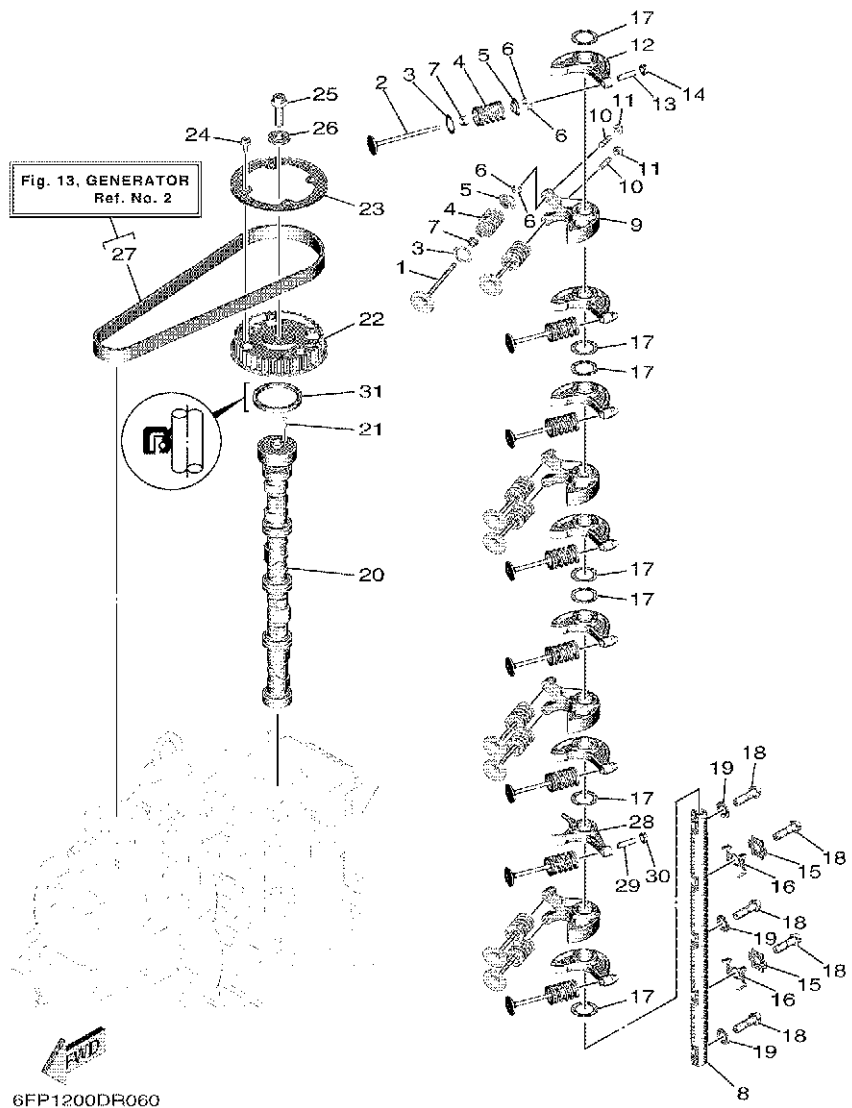


FIG. 6 VALVE

SOUPAPE

REF. NO.	PART NO. N° PIECES	DESCRIPTION DESCRIPTION	6HV3	6HJ3			REMARKS REMARQUES
28	6FP-12162-00	ARM, VALVE ROCKER 3 CULBUTEUR 3	1	1			
29	6C5-12159-10	SCREW, VALVE ADJUSTING VIS, REGLAGE DE SOUPAPE	1	1			
30	6C5-12158-10	NUT, LOCK CONTRE-ECROU	1	1			
31	93102-48017	OIL SEAL JOINT SPY	1	1			
<hr/>							
<hr/>							
<hr/>							
<hr/>							
<hr/>							
<hr/>							
<hr/>							
<hr/>							
<hr/>							

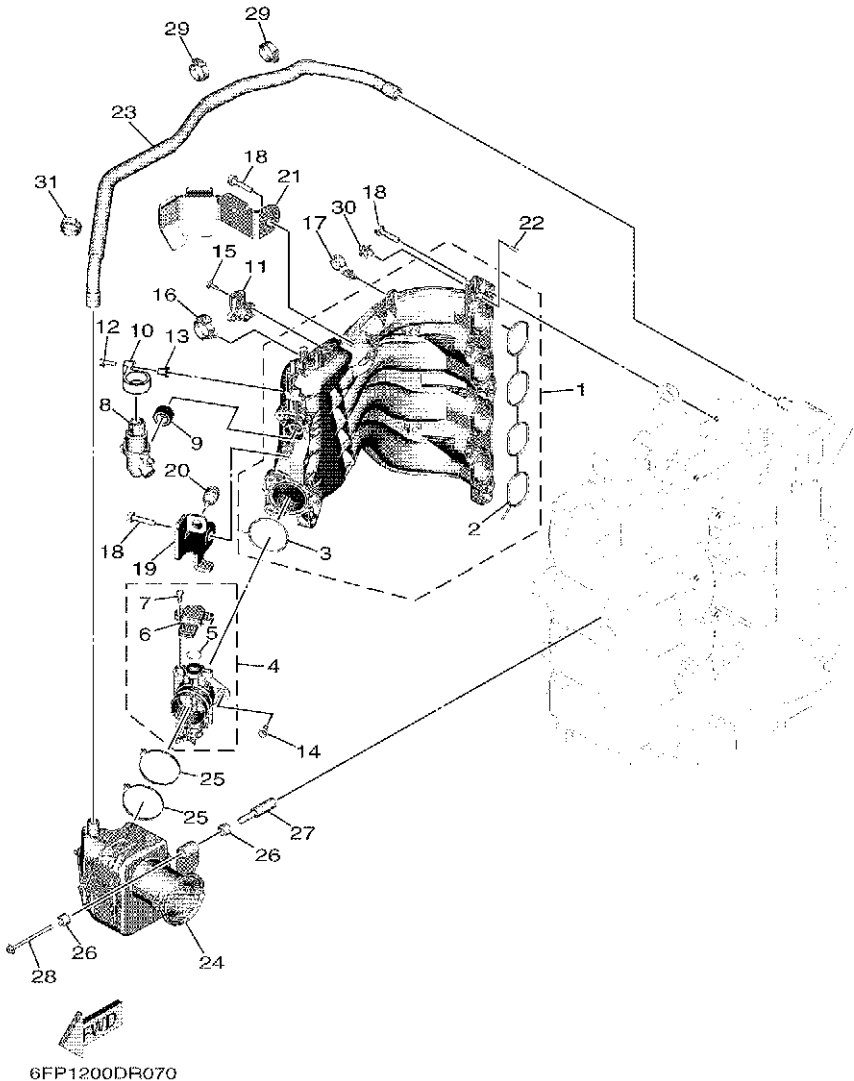


FIG. 7 INTAKE 1

ADMISSION 1

REF. NO.	PART NO. N° PIECES	DESCRIPTION DESCRIPTION	6HVS	6HJ3	REMARKS REMARQUES
1	6FP-13641-00	MANIFOLD, INTAKE 1 TUBULURE, ADMISSION 1	1	1	
2	6FP-13645-00	.GASKET, MANIFOLD 1 .JOINT, TUBULURE 1	1	1	
3	6FP-13646-00	.GASKET, MANIFOLD 2 .JOINT, TUBULURE 2	1	1	
4	6FP-13751-00	BODY, THROTTLE 1 CARTER 1	1	1	
5	93210-17014	.O-RING .JOINT TORIQUE	1	1	
6	8GL-85885-00	.THROTTLE SENSOR ASSY .SENSITOMETRE (ENS.)	1	1	
7	90149-05041	.SCREW .VIS	2	2	
8	6C5-13713-00	VALVE, IDLE SPEED CONTROL SOUPAPE, AJUSTEMENT DE VITESSE	1	1	
9	6FP-13476-00	GASKET JOINT	1	1	
10	6FP-13381-00	DAMPER AMORTISSEUR	1	1	
11	68F-83688-10	SENSOR ASSY SONDE (ENS.)	1	1	
12	90119-06M17	BOLT, WITH WASHER BOULON, AVEC RONDELLE	1	1	
13	90387-06289	COLLAR COLLERETTE	1	1	
14	6C5-14496-00	BOLT BOULON	3	3	
15	6C5-81146-10	SCREW 2 VIS 2	2	2	
16	90464-12183	CLAMP BRIDE	1	1	
17	90464-17006	CLAMP BRIDE	1	1	
18	90119-08020	BOLT, WITH WASHER BOULON, AVEC RONDELLE	8	8	
19	6FP-13371-00	PLATE PLAQUE	1	1	
20	6FP-14435-00	GROMMET RONDELLE CAOUTCHOUC	1	1	
21	6FP-13881-01	COVER 1 COUVERCLE 1	1	1	
22	91690-50014	PIN, SPRING AGRAFFE	2	2	
23	6FP-15373-00	PIPE, BREATHER DURITE DE RENIFLARD	1	1	
24	6HV-14440-00 6FP-14440-01	SILENCER ASSY, INTAKE SIENCIEUX D'ADMISSION SILENCER ASSY, INTAKE SIENCIEUX D'ADMISSION	1 1		
25	90464-65001	CLAMP BRIDE	2	2	
26	90386-08001	BUSH DOUILLE	2	2	

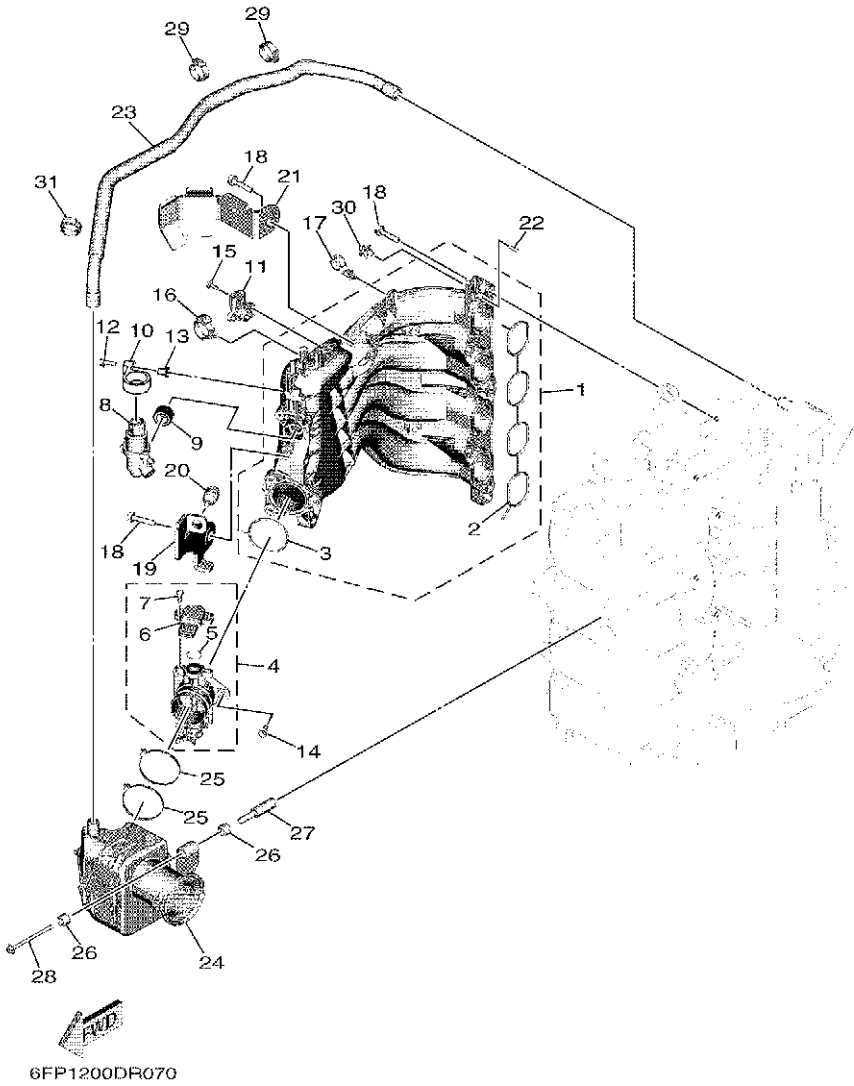


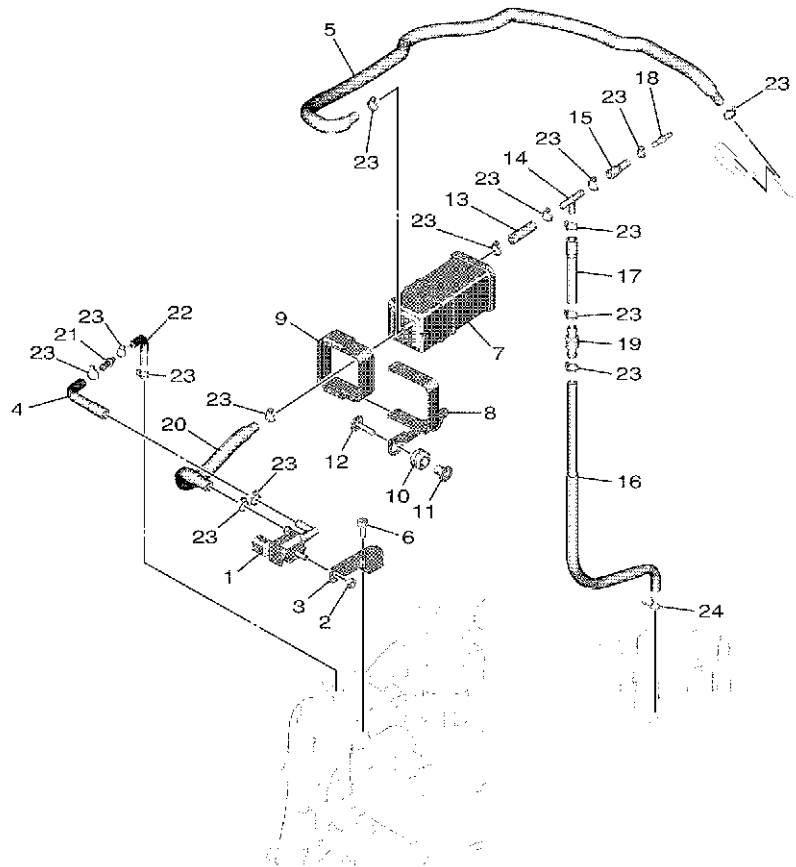
FIG. 7 INTAKE 1

ADMISSION 1

REF. NO.	PART NO. N° PIECES	DESCRIPTION DESCRIPTION	6HV3	6HJ3	REMARKS REMARQUES
27	90387-07013	COLLAR COLLERETTE	1	1	
28	90119-06113	BOLT, WITH WASHER BOULON, AVEC RONDELLE	1	1	
29	90464-26001	CLAMP BRIDE	2	2	
30	90464-09M47	CLAMP BRIDE	1	1	
31	90464-26001	CLAMP BRIDE	1	1	

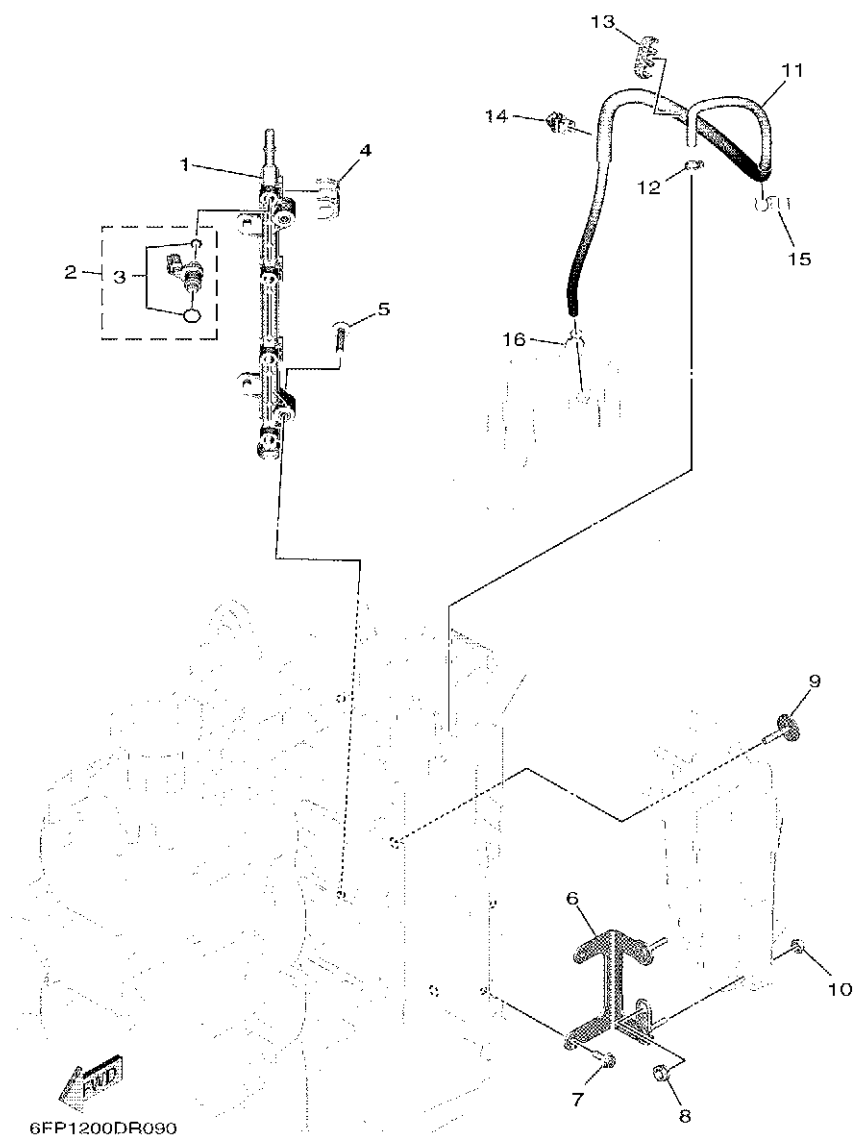
FIG. 8 INTAKE 2

ADMISSION 2



6FP1200DR080

REF. NO.	PART NO. N° PIECES	DESCRIPTION DESCRIPTION	6HVS	6HJ3	REMARKS REMARQUES
1	6C5-86120-00	SOLENOID VALVE ASSY SOLENOIDE	1	1	
2	95380-06600	NUT, HEXAGON ECROU	1	1	
3	6FP-86112-00	STAY, SOLENOID SUPPORT, SOLENOIDE	1	1	
4	6FP-2416A-00	HOSE DURITE	1	1	
5	6FP-1475A-00	PIPE 1 DURITE 1	1	1	
6	97E95-06516	BOLT, HEXAGON W/W DEEP RECESS VIS HEXAGONAL AVC RONDELLE	1	1	
7	69J-24170-00	CANISTER ASSY BANDE, RASERVOIR A ESSENCE	1	1	
8	6FP-2134X-00	BRACKET, CANISTER SUPPORT	1	1	
9	6FP-2419E-00	COVER, CANISTER COUVERCLE	1	1	
10	90480-10M23	GROMMET PASSE-FIL	2	2	
11	90387-06289	COLLAR COLLERETTE	2	2	
12	90119-06M17	BOLT, WITH WASHER BOULON, AVEC RONDELLE	2	2	
13	6AW-13545-10	HOSE 1 DURITE 1	1	1	
14	688-24378-00	PIPE, JOINT 3 DURITE RACCORDEMENT 3	1	1	
15	6FP-13546-00	HOSE 2 DURITE 2	1	1	
16	6FP-13547-00	HOSE 3 DURITE 3	1	1	
17	6FP-13548-00	HOSE, AIR 4 DURITE, A AIR 4	1	1	
18	6E5-21744-00	BREATHER RENIFLARD	1	1	
19	63D-21744-00	BREATHER RENIFLARD	1	1	
20	6FP-1475F-00	PIPE 3 DURITE 3	1	1	
21	6EK-14989-00	ORIFICE, AIR VENT ORIFICE	1	1	
22	6FP-1475G-00	PIPE 4 DURITE 4	1	1	
23	90465-11M10	CLAMP BRIDE	15	15	
24	90467-09M17	CLIP JONC	1	1	



6FP1200DR090

FIG. 9 INTAKE 3

ADMISSION 3

REF. NO.	PART NO. N° PIECES	DESCRIPTION DESCRIPTION	6HVS	6HJ3	REMARKS REMARQUES
1	6FP-13161-00	PIPE, DELIVERY 1 DURITE REFOULEMENT 1	1	1	
2	6FP-13761-00	INJECTOR INJECTEUR	4	4	
3	6C5-1410B-00	.PACKING KIT .POCHETTE DE JOINTS	1	1	
4	6FP-13577-00	CLIP AGRAFE	4	4	
5	90119-06122	BOLT, WITH WASHER BOULON, AVEC RONDELLE	2	2	
6	6FP-24422-00	PLATE PLAQUETTE	1	1	
7	95D95-06014	BOLT, FLANGE DEEP RECESS BOULON FIXATION	2	2	
8	90480-11006	GROMMET PASSE-FIL	1	1	
9	90119-06M61	BOLT, WITH WASHER BOULON, AVEC RONDELLE	2	2	
10	90179-06M28	NUT ECROU	2	2	
11	6FP-42542-00	PIPE TUYAU	1	1	
12	90465-11M10	CLAMP BRIDE	1	1	
13	90464-10011	CLAMP BRIDE	1	1	
14	90464-09021	CLAMP BRIDE	1	1	
15	90464-09013	CLAMP BRIDE	1	1	
16	90467-08M18	CLIP JONC	1	1	



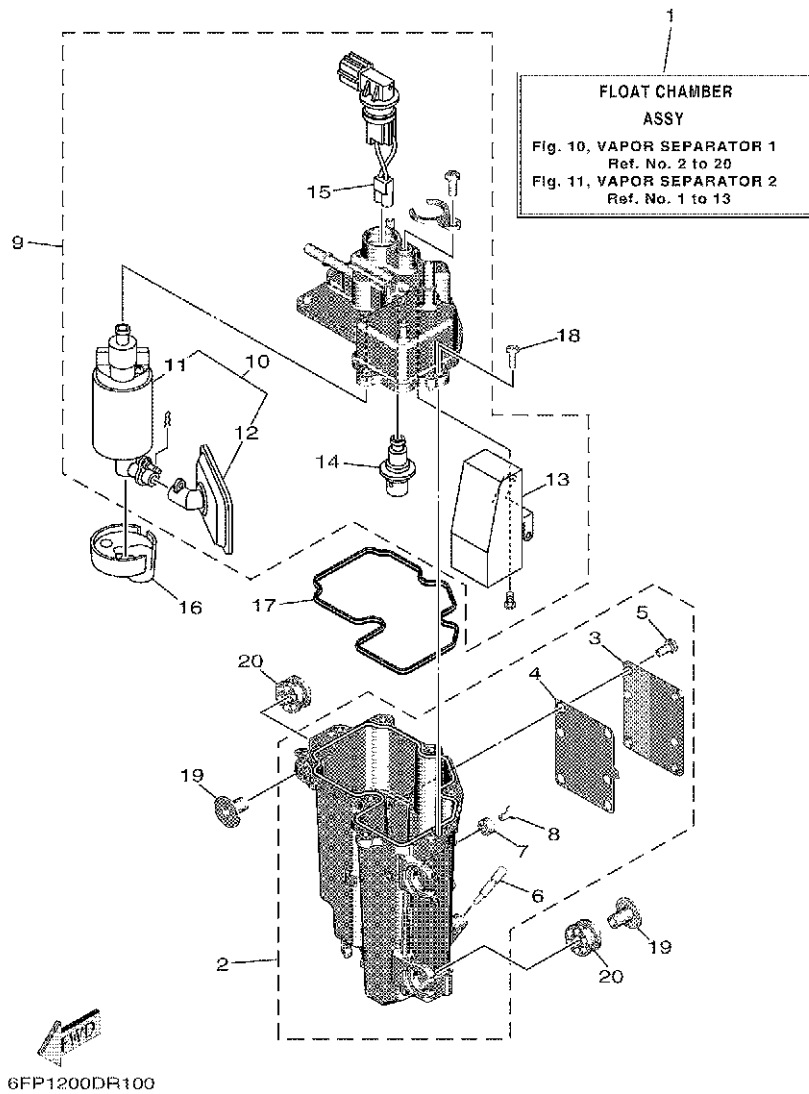


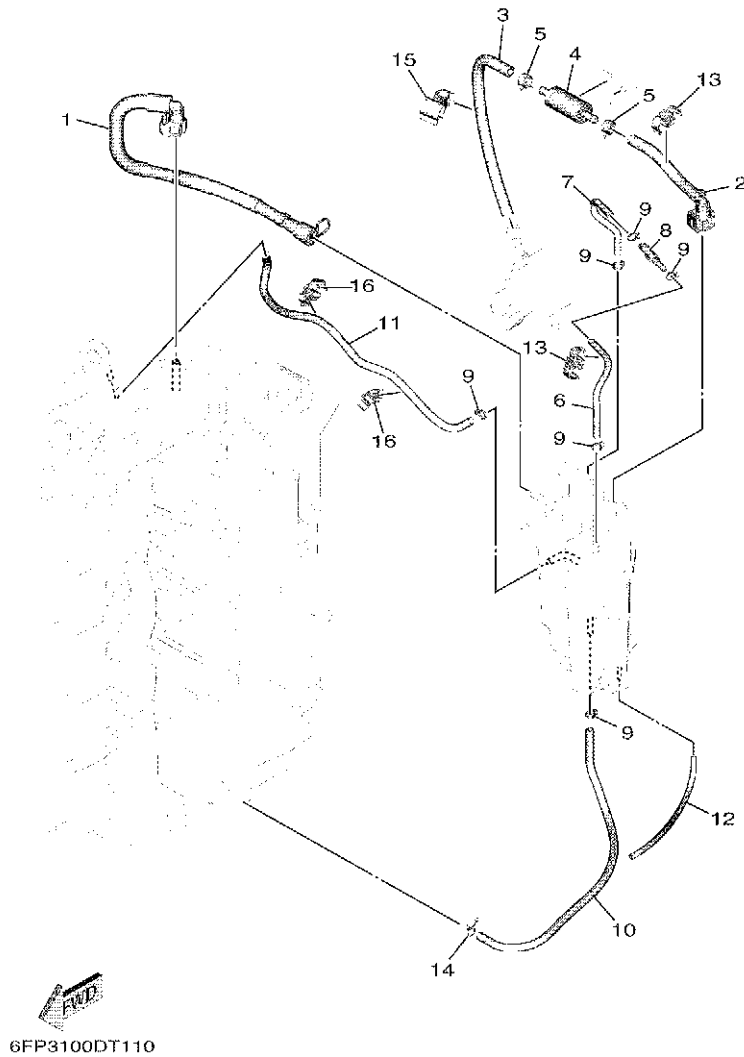
FIG. 10 VAPOR SEPARATOR 1

VAPEUR SEPARATEUR 1

REF. NO.	PART NO. N° PIECES	DESCRIPTION DESCRIPTION	6HVS	6HJ3	REMARKS REMARQUES
1	6FP-14180-01	FLOAT CHAMBER ASSY CUVE DE FLOTTEUR	1	1	
2	6FP-14960-00	BODY ASSY CARTER (ENS.)	1	1	
3	6FP-24452-00	.COVER, COOLER .COUVERCLE DE RADIATEUR	1	1	
4	6FP-24462-00	.GASKET, COOLER .JOINT DE RADIATEUR	1	1	
5	6FP-14591-00	.SCREW .VIS	6	6	
6	6C5-14191-00	.PLUG, DRAIN .PLOT, VIDANGE	1	1	
7	63P-11325-21	.ANODE .ANODE	1	1	
8	6FP-24444-00	.SCREW .VIS	1	1	
9	6FP-14182-00	COVER, FLOAT CHAMBER COUVERCLE, CUVE DE FLOTTEUR	1	1	
10	6FP-13910-00	.FUEL PUMP ASSY .POMPE A ESSENCE COMPLET	1	1	
11	6FP-13907-00	..FUEL PUMP COMP. ..POMPE A CARBURANT COMP.	1	1	
12	6FP-13915-00	..FILTER ..FILTRE	1	1	
13	6FP-14985-00	.FLOAT .FLOTTEUR	1	1	
14	6FP-13906-00	.REGULATOR, PRESSURE .REGULATEUR DE PRESSION	1	1	
15	6FP-87226-00	.WIRE HARNESS ASSY .ENS. FAISCEAU ELECTRIQUE	1	1	
16	6FP-13593-00	DAMPER AMORTISSEUR	1	1	
17	6FP-14984-00	GASKET, FLOAT CHAMBER JOINT, CUVE DE FLOTTEUR	1	1	
18	6C5-14567-00	SCREW VIS	8	8	
19	90387-06M03	COLLAR COLLERETTE	4	4	
20	69L-85516-00	SPACER ENTRETOISE	4	4	

FIG. 11 VAPOR SEPARATOR 2

VAPEUR SEPARATEUR 2



REF. NO.	PART NO. N° PIECES	DESCRIPTION DESCRIPTION	6HVS	6HJ3	REMARKS REMARQUES
1	6FP-13974-01	PIPE, FUEL 4 TUBE 4, CARBURANT	1	1	
2	6FP-24330-00	FUEL PIPE ASSY DURITE A ESSENCE	1	1	
3	6FP-13972-00	PIPE, FUEL 2 TUBE 2, CARBURANT	1	1	
4	6C5-24251-00	STRAINER 1 FILTRE 1	1	1	
5	6BG-24387-00	CLIP SANDOW	2	2	
6	6FP-13545-00	HOSE 1 DURITE 1	1	1	
7	6FP-13546-00	HOSE 2 DURITE 2	1	1	
8	6FP-24379-00	PIPE, JOINT 4 DURITE RACCORDEMENT 4	1	1	
9	90465-11M10	CLAMP BRIDE	6	6	
10	6FP-24324-00	PIPE 13 DURITE 13	1	1	
11	6FP-24325-00	PIPE 14 DURITE 14	1	1	
12	6BG-14149-00	PIPE DURITE	1	1	
13	6FP-21337-00	CLAMP, CABLE COLLIER, CABLE	2	2	
14	90467-08M18	CLIP JONC	1	1	
15	90464-15007	CLAMP BRIDE	1	1	
16	90464-12010	CLAMP BRIDE	2	2	

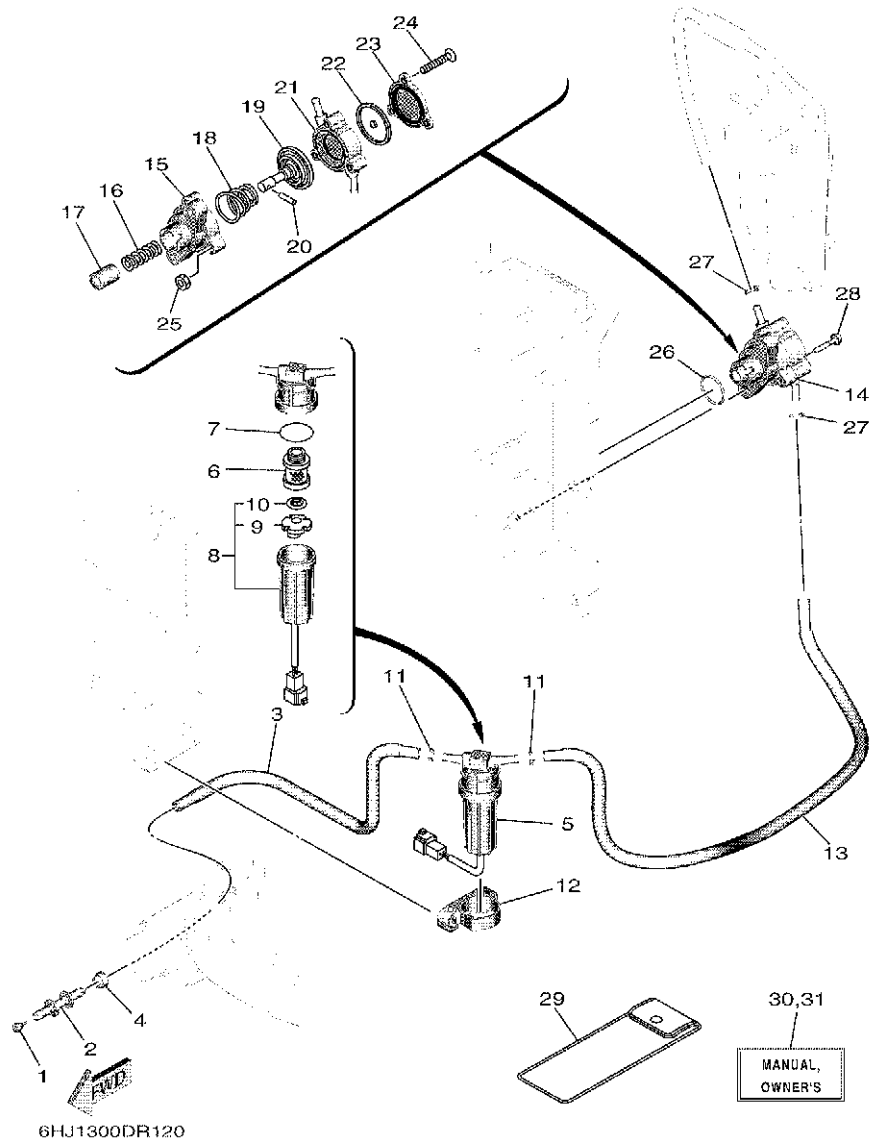


FIG. 12 FUEL

CARBURANT

REF. NO.	PART NO. N° PIECES	DESCRIPTION DESCRIPTION	6HVS	6HJ3	REMARKS REMARQUES
1	689-85547-00	DAMPER AMORTISSEUR	1	1	
2	6AW-24377-01	PIPE, JOINT 2 DURITE RACCORDEMENT 2	1	1	
3	6FP-24314-00	PIPE 4 DURITE 4	1	1	
4	6E5-24351-51	BAND 1 COLLIER 1	1	1	
5	6EK-24560-00	FILTER ASSY ENS FILTRE	1	1	
6	6D8-24563-00	.ELEMENT, FILTER .ELEMENT, FILTRE	1	1	
7	6D8-24564-00	.GASKET .JOINT	1	1	
8	6D8-24562-00	.CUP, FILTER .CUVETTE, FILTRE	1	1	
9	6D8-24469-00	..FLOAT, WATER LEVEL ..FLOTTEUR	1	1	
10	6D8-24519-00	..CLIP ..JONC	1	1	
11	90465-11M10	CLAMP BRIDE	2	2	
12	6FP-24568-00	BAND, FILTER COLLIER, FILTRE	1	1	
13	6FP-24311-00	PIPE, FUEL 1 DURITE A ESSENCE	1	1	
14	6FP-24410-00	FUEL PUMP ASSY POMPE A ESSENCE	1	1	
15	68V-24412-00	.BODY 1 .CORPS 1	1	1	
16	68V-24454-00	.SPRING .RESSORT	1	1	
17	68V-13131-00	.PLUNGER .PLONGEUR	1	1	
18	63P-24423-00	.SPRING, DIAPHRAGM .RESSORT, DIAPHRAGME	1	1	
19	68V-24411-00	.DIAPHRAGM .DIAPHRAGME	1	1	
20	68V-24374-00	.PIN .GOUPILLE	1	1	
21	6FP-24413-00	.BODY 2 .CORPS 2	1	1	
22	68V-24471-10	.DIAPHRAGM .DIAPHRAGME	1	1	
23	6FP-24414-00	.BODY 3 .CORPS 3	1	1	
24	68V-24444-00	.SCREW .VIS	3	3	
25	68V-24149-00	.NUT .ECROU	3	3	
26	93210-30682	O-RING JOINT TORIQUE	1	1	
27	90465-11M10	CLAMP BRIDE	2	2	

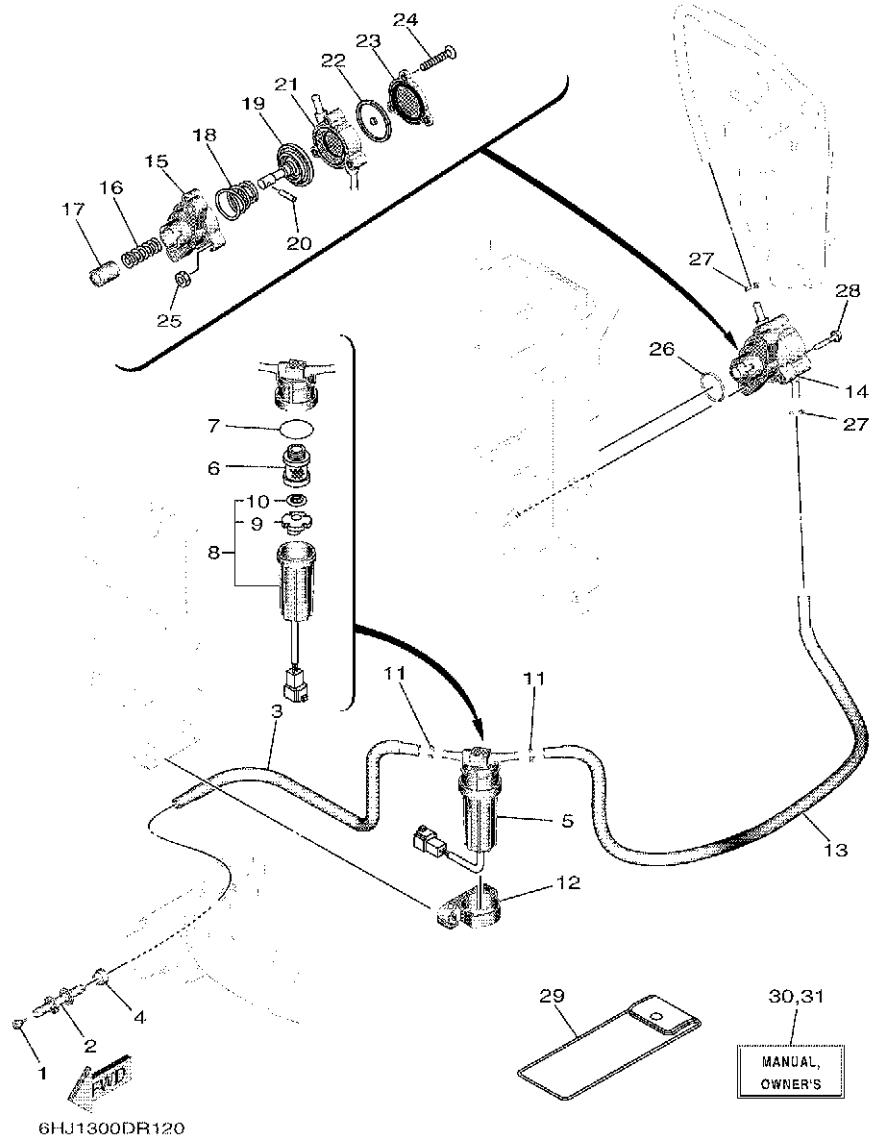
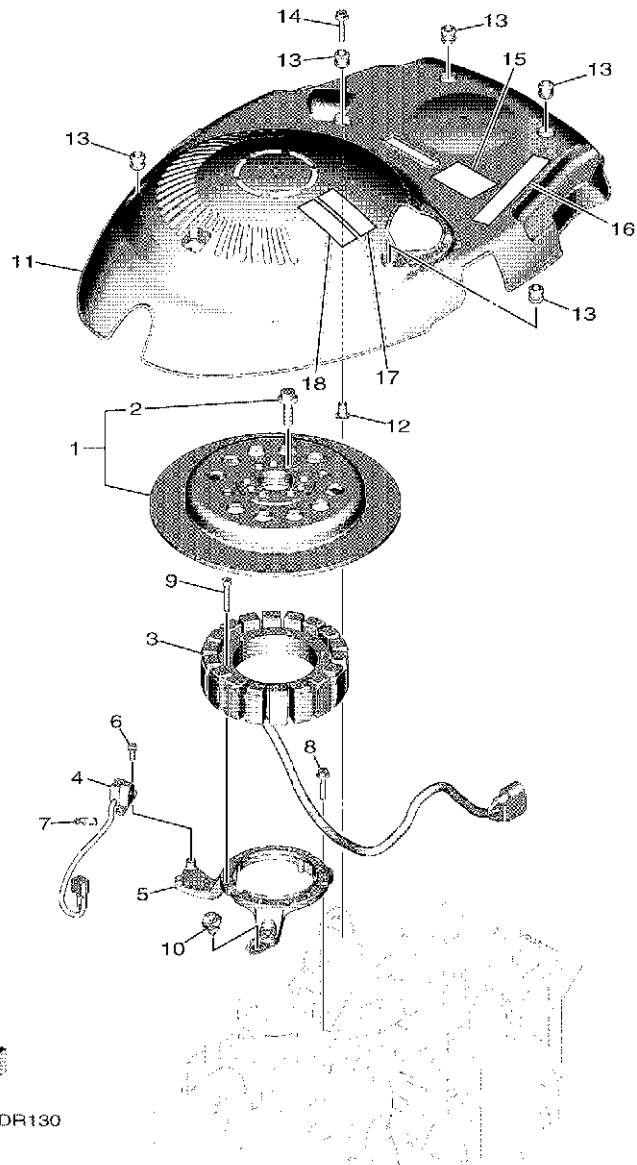


FIG. 12 FUEL

CARBURANT

REF. NO.	PART NO. N° PIECES	DESCRIPTION DESCRIPTION	6HVS	6HJ3	REMARKS REMARQUES
28	90105-06208	BOLT, FLANGE BOULON, A COLLERETTE	2	2	
29	67F-28100-02	TOOL KIT TROUSSE A OUTILS	1	1	AP AP
30	6FP-28199-73-E0	MANUAL, OWNER'S MANUEL D'UTILISATION	1	1	UR (E) UR (E)
	6FP-28199-73-F0	MANUAL, OWNER'S MANUEL D'UTILISATION	1	1	UR (F) UR (F)
	6FP-28199-73-S0	MANUAL, OWNER'S MANUEL D'UTILISATION	1	1	UR (ES) UR (ES)
	6FP-28199-73-G0	MANUAL, OWNER'S MANUEL D'UTILISATION	1	1	UR (D) UR (D)
	6FP-28199-73-D0	MANUAL, OWNER'S MANUEL D'UTILISATION	1	1	UR (NL) UR (NL)
	6FP-28199-73-H0	MANUAL, OWNER'S MANUEL D'UTILISATION	1	1	UR (I) UR (I)
31	6FP-28199-83-K0	MANUAL, OWNER'S MANUEL D'UTILISATION	1	1	UR (DK) UR (DK)
	6FP-28199-83-R0	MANUAL, OWNER'S MANUEL D'UTILISATION	1	1	UR (GR) UR (GR)
	6FP-28199-83-P0	MANUAL, OWNER'S MANUEL D'UTILISATION	1	1	UR (P) UR (P)
	6FP-28199-83-N0	MANUAL, OWNER'S MANUEL D'UTILISATION	1	1	UR (N) UR (N)
	6FP-28199-83-M0	MANUAL, OWNER'S MANUEL D'UTILISATION	1	1	UR (S) UR (S)
	6FP-28199-83-L0	MANUAL, OWNER'S MANUEL D'UTILISATION	1	1	UR (SF) UR (SF)



6FP1200DR130

FIG. 13 GENERATOR

GENERATRICE

REF. NO.	PART NO. N° PIECES	DESCRIPTION DESCRIPTION	6HVS	6HJ3	REMARKS REMARQUES
1	6FP-W8145-01	ROTOR ASSY WITH BOLTS ROTOR COMPLET AVEC BOULON	1	1	
2	6FP-W9010-00	.BOLT SET .BOULON ENS.	1	1	
3	6FP-81410-00	STATOR ASSY STATOR COMPLET	1	1	
4	6CB-85580-00	COIL, PULSER BOBINE, PULSEUR	1	1	
5	6FP-85561-00	BASE, MAGNETO BASE, MAGNETO	1	1	
6	90109-05M89	BOLT BOULON	2	2	
7	90465-11M10	CLAMP BRIDE	1	1	
8	95D95-06030	BOLT, FLANGE DEEP RECESS BOULON FIXATION	3	3	
9	91312-06035	BOLT, HEXAGON SOCKET HEAD BOULON, TETE HEXAGONALE CREUSE	6	6	
10	90464-13249	CLAMP BRIDE	1	1	
11	6FP-81337-00	COVER, FLYWHEEL COUVERCLE, VOLANT	1	1	
12	90387-06119	COLLAR COLLERETTE	1	1	
13	6A0-82317-00	DAMPER, IGNITION COIL AMORTISSEUR, BOBINE D'ALLUM	5	5	
14	95D95-06030	BOLT, FLANGE DEEP RECESS BOULON FIXATION	1	1	
15	6FP-83626-00	MARK 6 MARK 6	1	1	
16	6EK-13437-61	MARK, CAUTION MAKER	1	1	
17	6EE-81994-40	LABEL, SAFETY ETIQUETTE, SECURITE	1	1	
18	6EE-81994-50	LABEL, SAFETY ETIQUETTE, SECURITE	1	1	

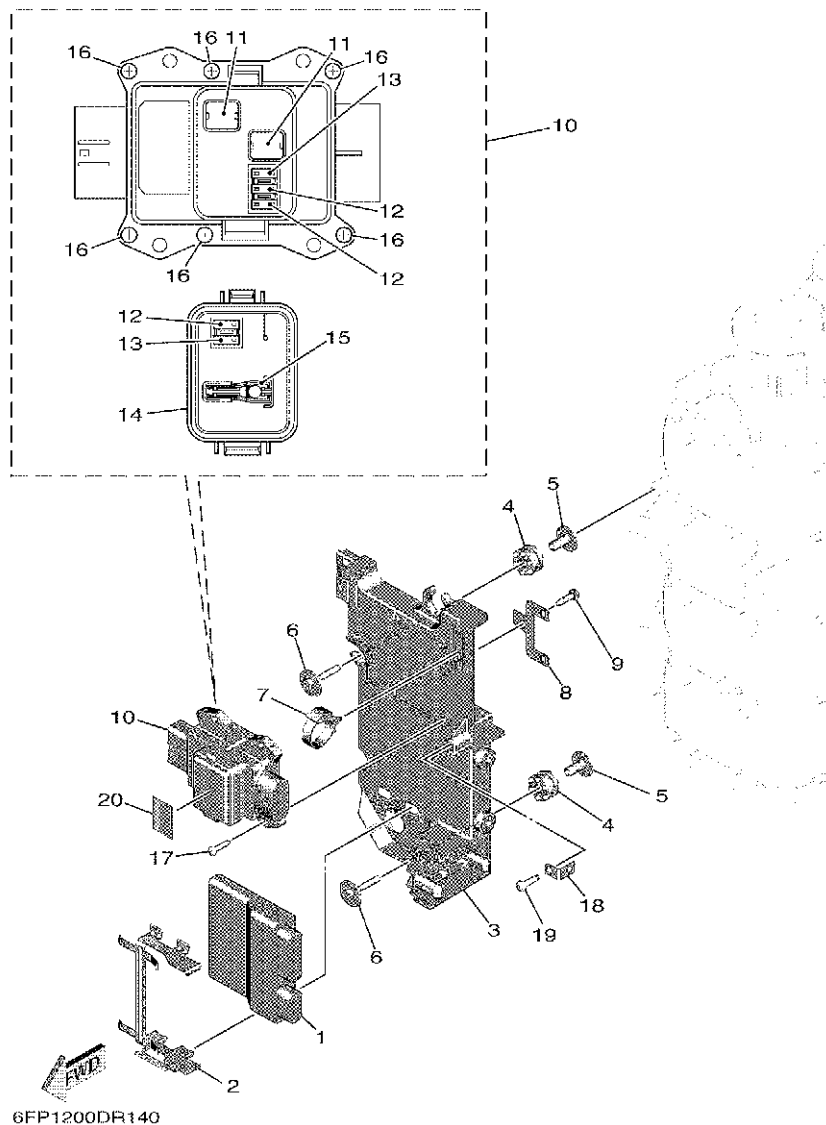


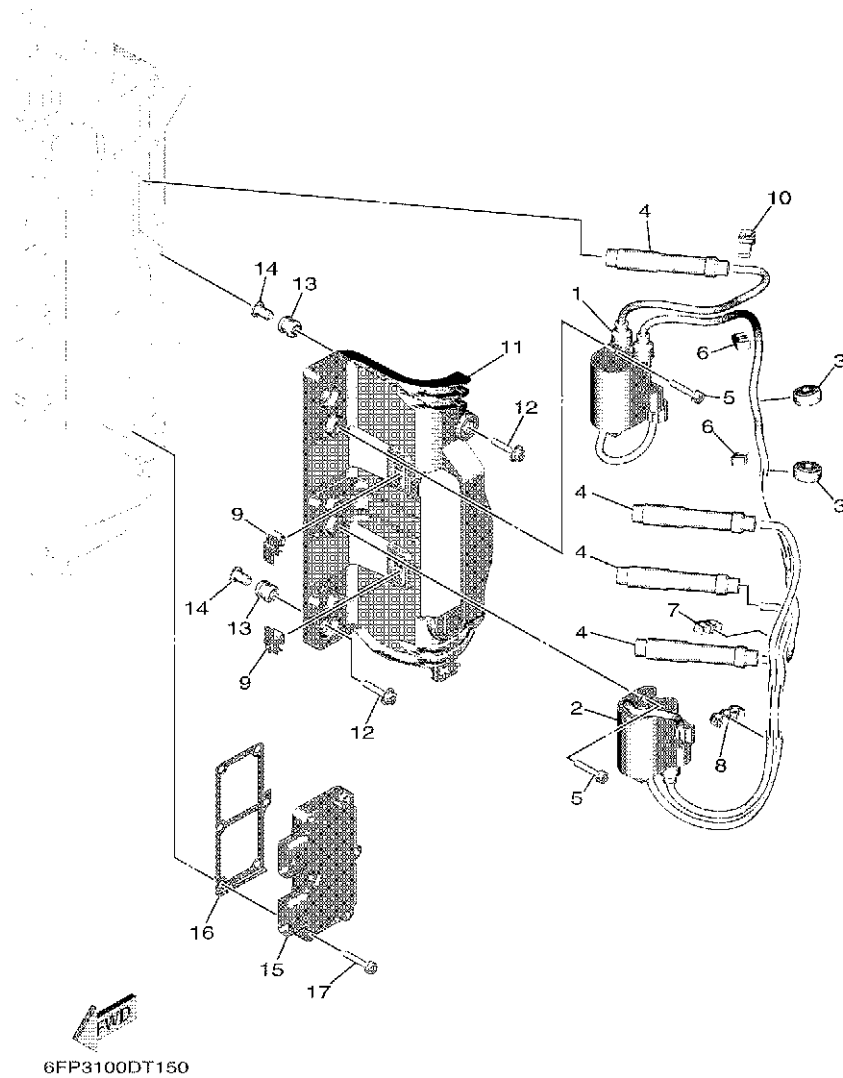
FIG. 14 ELECTRICAL 1

PARTIE ELECTRIQUE 1

REF. NO.	PART NO. N° PIECES	DESCRIPTION DESCRIPTION	6HVS	6HJ3	REMARKS REMARQUES
1	6HV-8591A-00	ENGINE CONTROL UNIT ASSY BLOC DE CONTROL	1		
	6HJ-8591A-00	ENGINE CONTROL UNIT ASSY BLOC DE CONTROL		1	
2	6FP-8253C-00	SPRING, PLATE LOCK RESSORT, PLAQUE BUTEE	1	1	
3	6FP-81948-00	BRACKET SUPPORT	1	1	
4	60V-85564-00	GROMMET RONDELLE CAOUTCHOUC	3	3	
5	90387-06176	COLLAR COLLERETTE	3	3	
6	68F-85119-00	BOLT BOULON	3	3	
7	90464-12183	CLAMP BRIDE	1	1	
8	6C5-8257V-00	PLATE, CONNECTOR PLAQUE, CONNECTEUR	1	1	
9	97780-60620	SCREW, TAPPING VIS, TETE BOMBEE	1	1	
10	6FP-82170-00	FUSE BOX ASSY BOITE A FUSIBLES	1	1	
11	6FP-82151-00	.FUSE (50A)	2	2	
12	6CB-82151-20	.FUSE (20A)	3	3	
13	6CB-82151-30	.FUSE (30A)	2	2	
14	6FP-85544-00	.COVER .COUVERCLE	1	1	
15	6CB-2812A-00	.PULLER, FUSE .TENDEUR, FUSIBLE	1	1	
16	6P2-82113-00	.SCREW (M3) .VIS (M3)	6	6	
17	97780-50620	SCREW, TAPPING VIS, TETE BOMBEE	4	4	
18	68V-85548-01	HOLDER SUPPORT	1	1	
19	97780-60620	SCREW, TAPPING VIS, TETE BOMBEE	1	1	
20	6FP-81919-00	GRAPHIC, REGULATOR ADHESIF, REGULATEUR	1	1	

FIG. 15 ELECTRICAL 2

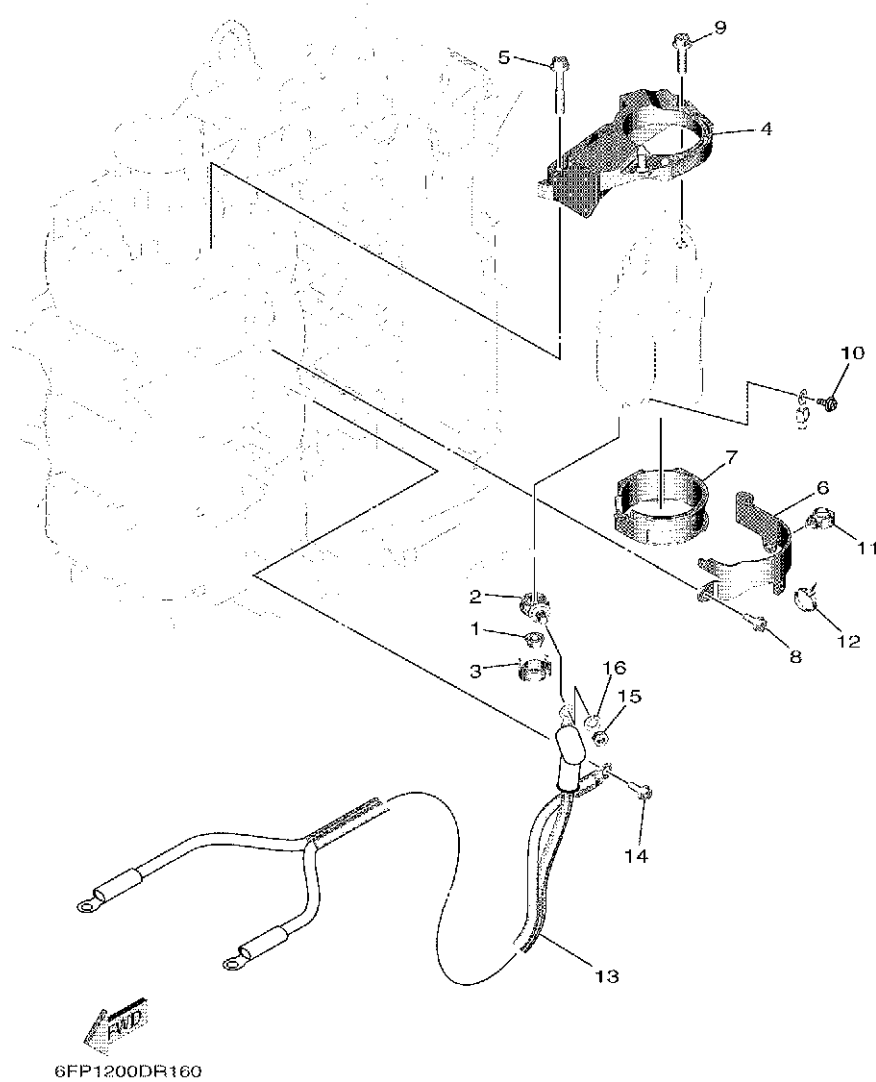
PARTIE ELECTRIQUE 2



REF. NO.	PART NO. N° PIECES	DESCRIPTION DESCRIPTION	6HVS	6HJ3	REMARKS REMARQUES
1	6FP-82310-00	IGNITION COIL ASSY BOBINE D'ALLUMAGE	1	1	
2	6FP-82310-10	IGNITION COIL ASSY BOBINE D'ALLUMAGE	1	1	
3	90480-25003	GROMMET PASSE-FIL	2	2	
4	6FP-82370-00	PLUG CAP ASSY ANTIPARASITE	4	4	
5	97E95-06525	BOLT, HEXAGON W/W DEEP RECESS VIS HEXAGONAL AVC RONDELLE	4	4	
6	67F-82361-00	CLAMP, CORD COLLIER, CORDON	2	2	
7	67F-82361-00	CLAMP, CORD COLLIER, CORDON	1	1	
8	90464-07M05	CLAMP BRIDE	1	1	
9	90464-12002	CLAMP BRIDE	2	2	
10	90464-09013	CLAMP BRIDE	1	1	
11	6FP-82316-00	BRACKET, IGNITION COIL SUPPORT, BOBINE D'ALLUMAGE	1	1	
12	90119-06M95	BOLT, WITH WASHER BOULON, AVEC RONDELLE	4	4	
13	6A0-82317-00	DAMPER, IGNITION COIL AMORTISSEUR, BOBINE D'ALLUM	4	4	
14	90387-06119	COLLAR COLLERETTE	4	4	
15	6EK-81960-10	RECTIFIER & REGULATOR ASSY REDRESSEUR REGULATEUR CPLT	1	1	
16	6FP-81975-00	PLATE, RECTIFIER FITTING PLAQUE, FIXATION DU REDRESSEUR	1	1	
17	90119-06MA4	BOLT, WITH WASHER BOULON, AVEC RONDELLE	6	6	

FIG. 16 ELECTRICAL 3

PARTIE ELECTRIQUE 3

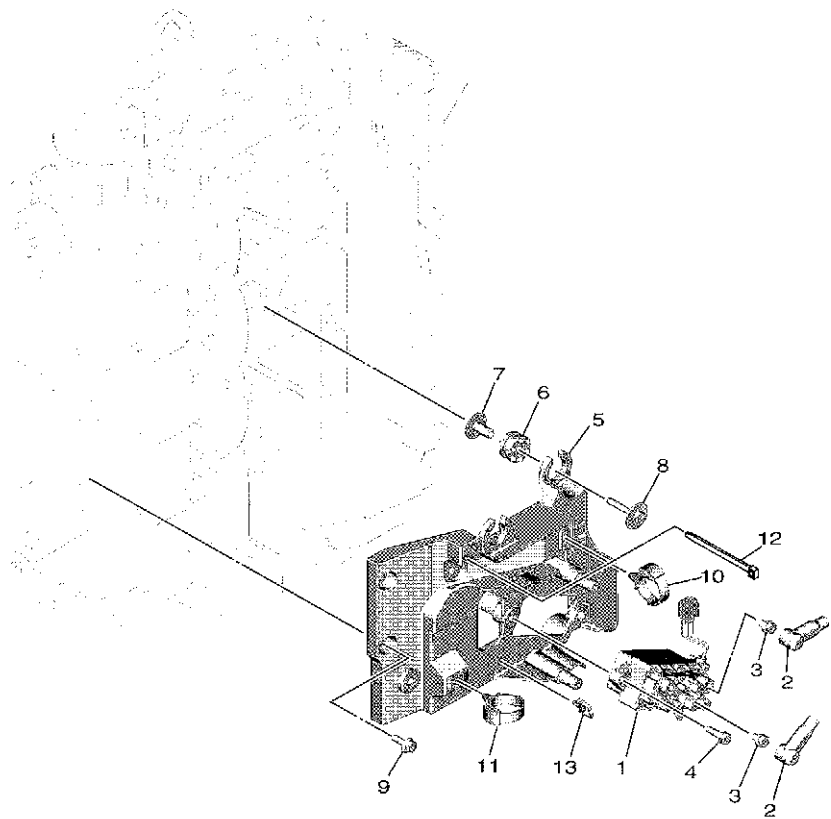


REF. NO.	PART NO. N° PIECES	DESCRIPTION DESCRIPTION	6HVS	6HJ3	REMARKS REMARQUES
1	90179-08003	NUT ECROU	1	1	
2	60V-81925-00	TERMINAL BORNE	1	1	
3	68F-82582-00	CAP,1 COUVERCLE 1	1	1	
4	6FP-81822-00	BRACKET, STARTING MOTOR SUPPORT, DEMARREUR ELECTRIQUE	1	1	
5	95812-08050	BOLT, FLANGE BOULON	2	2	
6	6FP-81823-00	STAY, STARTING MOTOR SUPPORT	1	1	
7	6FP-81897-00	GASKET, MOTOR JOINT DE MOTEUR	1	1	
8	95D95-06016	BOLT, FLANGE DEEP RECESS BOULON FIXATION	2	2	
9	95812-08030	BOLT, FLANGE BOULON	2	2	
10	97985-04308	SCREW, WITH WASHER VIS, AVEC RONDELLE	1	1	
11	90464-13249	CLAMP BRIDE	1	1	
12	90465-13M11	CLAMP BRIDE	1	1	
13	68V-82105-01	BATTERY CABLE CABLE DE BATTERIE	1	1	AP
14	90105-06M14	BOLT FLANGE BOULON, A COLLERETTE	1	1	AP
15	95333-08600	NUT ECROU	1	1	AP
16	92903-08100	WASHER, SPRING RONDELLE, GROWER	1	1	AP



FIG. 17 ELECTRICAL 4

PARTIE ELECTRIQUE 4

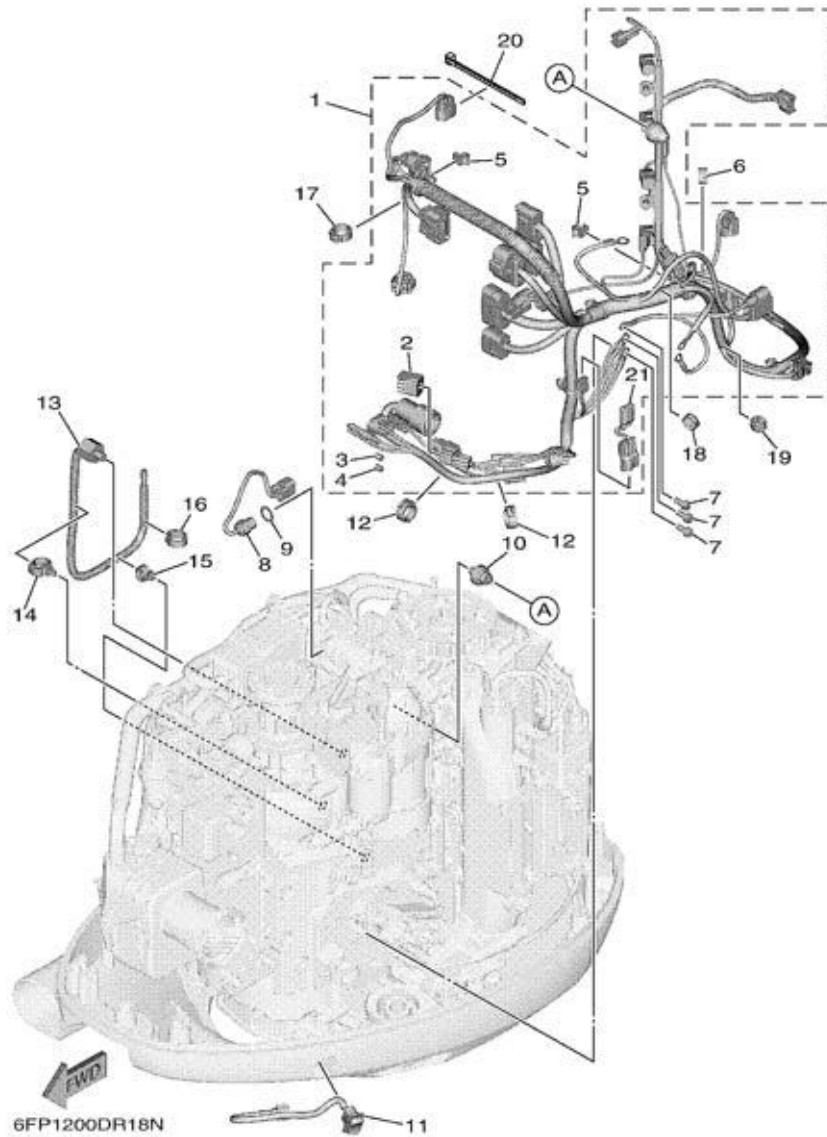


6FP1200DR170

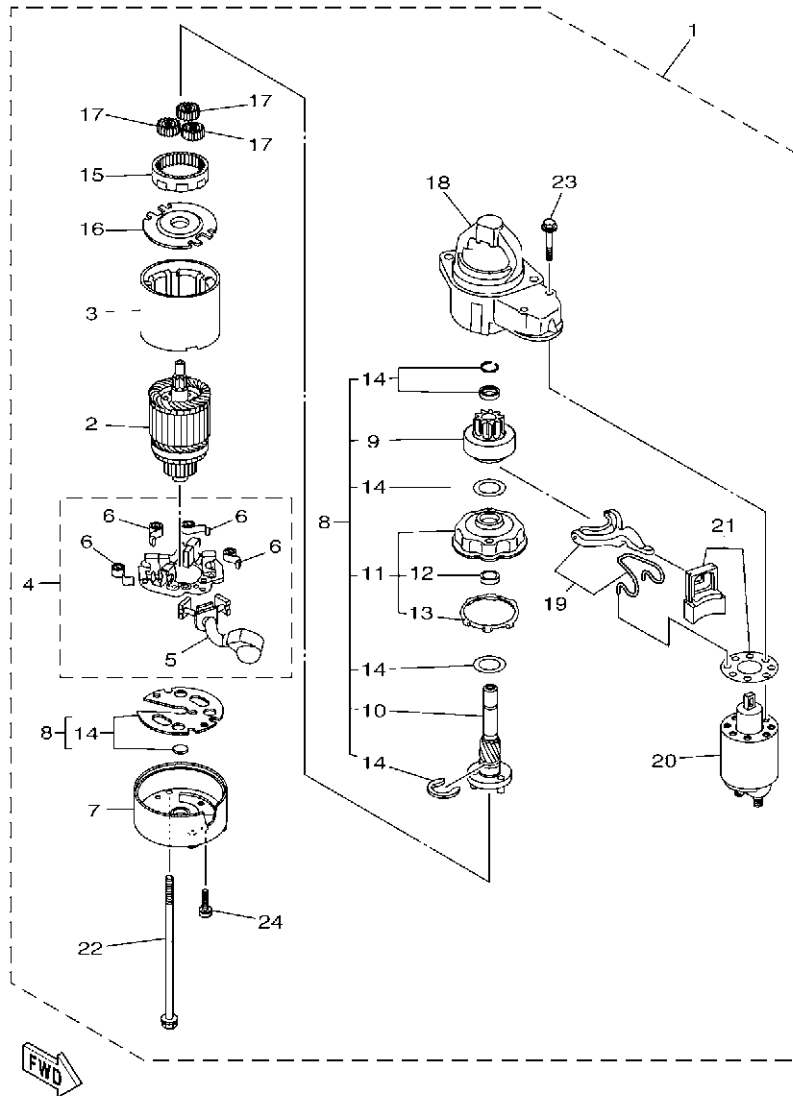
REF. NO.	PART NO. N° PIECES	DESCRIPTION DESCRIPTION	6HVS	6HJ3	REMARKS REMARQUES
1	63P-81950-00	RELAY ASSY RELAIS COMPLET	1	1	
2	682-82119-01	COVER, LEAD WIRE GARNITURE, FIL	2	2	
3	97E95-06610	BOLT, HEXAGON W/W DEEP RECESS VIS HEXAGONAL AVC RONDELLE	2	2	
4	97E95-06520	BOLT, HEXAGON W/W DEEP RECESS VIS HEXAGONAL AVC RONDELLE	2	2	
5	6FP-81952-00	HOLDER, RELAY SUPPORT, RELAIS	1	1	
6	68F-85516-01	SPACER ENTRETOISE	3	3	
7	90387-06176	COLLAR COLLERETTE	3	3	
8	68F-85119-00	BOLT BOULON	3	3	
9	95D95-06016	BOLT, FLANGE DEEP RECESS BOULON FIXATION	2	2	
10	90464-12183	CLAMP BRIDE	1	1	
11	90464-12183	CLAMP BRIDE	1	1	
12	90465-13M11	CLAMP BRIDE	1	1	
13	90464-11121	CLAMP BRIDE	1	1	

FIG. 18 ELECTRICAL 5

PARTIE ELECTRIQUE 5



REF. NO.	PART NO. N° PIECES	DESCRIPTION DESCRIPTION	6HVS	6HJ3	REMARKS REMARQUES
1	6FP-82590-02	WIRE HARNESS ASSY FAISCEAU DE FILS COMPLET	1	1	
2	6Y8-82582-11	.CAP 1 (4PIN) .COUVERCLE 1	1	1	
3	6DA-82582-00	.CAP 1 (FEMALE) .BOUCHON 1 (FEMME)	1	1	
4	6DA-82582-10	.CAP 1 (MALE) .BOUCHON 1 (MALE)	1	1	
5	90464-09M47	.CLAMP .BRIDE	2	2	
6	90464-13227	CLAMP BRIDE	1	1	
7	97E95-06516	BOLT, HEXAGON W/W DEEP RECESS VIS HEXAGONAL AVC RONDELLE	3	3	
8	6CJ-85790-00	THERMOSENSOR ASSY SENSITOMETRE	1	1	
9	90430-14115	GASKET JOINT	1	1	
10	68V-82504-00	OIL PRESSURE SWITCH ASSY CONTACTEUR DE PRESSION D'HUILE	1	1	
11	6FM-82563-01	TRIM & TILT SWITCH ASSY INCLINER ET PARER COMMUTATEUR	1	1	
12	90464-16001	CLAMP BRIDE	2	2	
13	6CJ-85780-00	SENSOR, KNOCK SONDE DE COGNEMENT	1	1	
14	90464-20181	CLAMP BRIDE	1	1	
15	90464-13249	CLAMP BRIDE	1	1	
16	90464-16001	CLAMP BRIDE	1	1	
17	90464-16001	CLAMP BRIDE	1	1	
18	90464-13227	CLAMP BRIDE	1	1	
19	90464-13227	CLAMP BRIDE	1	1	
20	90465-13M97	CLAMP BRIDE	1	1	
21	6FM-81980-00	.DIODE ASSY .REDRESSEUR 2	1	1	



6FP1200-R190

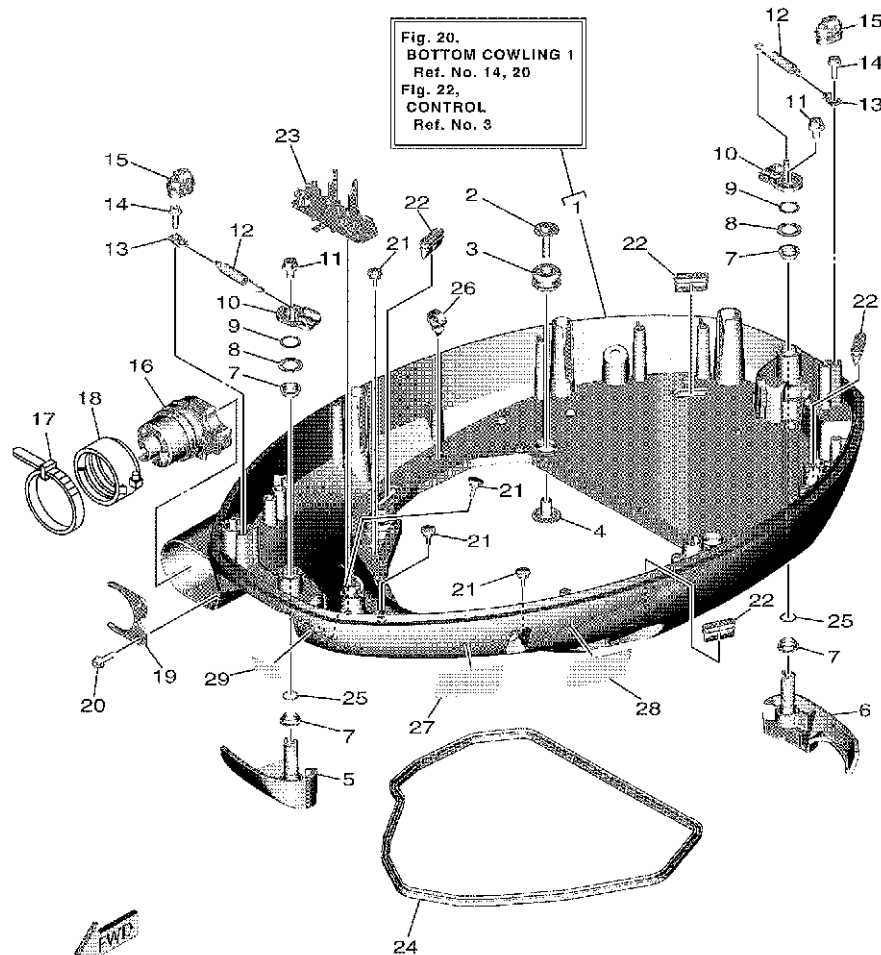
FIG. 19 STARTING MOTOR

DEMARREUR ELECTRIQUE

REF. NO.	PART NO. N° PIECES	DESCRIPTION DESCRIPTION	6HVS	6HJ3	REMARKS REMARQUES
1	6FP-81800-01	STARTING MOTOR ASSY DEMARREUR ELECTRIQUE COMPLET	1	1	
2	67F-81850-00	.ARMATURE ASSY .INDUIT	1	1	
3	67F-81810-00	.STATOR ASSY .STATOR COMPLET	1	1	
4	69J-81840-11	.BRUSH HOLDER ASSY .SUPPORT DE CHARBON	1	1	
5	69J-81801-11	.BRUSH SET .JEU DE BROSE	1	1	
6	67F-81813-00	.SPRING, BRUSH .RESSORT, DE CHARBON	4	4	
7	6FP-81820-00	.REAR BRACKET ASSY .SUPPORT ARRIERE COMPLET	1	1	
8	6FP-81807-00	.GEAR ASSY, STARTING MOTOR .PIGNON, DEMARREUR ELECTRIQUE	1	1	
9	6FP-81832-00	.CLUTCH, OVER RUN .EMBRAYAGE, ROUE LIBRE	1	1	
10	6FP-81836-00	.SPRING, LEVER .RESSORT, LEVIER	1	1	
11	67F-81821-00	.BRACKET, CENTER 1 .SUPPORT, CENTRE 1	1	1	
12	67F-81841-00	.BEARING .ROULEMENT	1	1	
13	67F-8183R-00	.GASKET .JOINT	1	1	
14	6CB-81809-00	.WASHER KIT .JEU DE RONDELLES	1	1	
15	67F-81891-00	.GEAR, RING .ROUE DENTEE	1	1	WITH 67F-8183R-00 WITH 67F-8183R-00
16	67F-81830-00	.BRACKET, CENTER 2 .SUPPORT, CENTRE 2	1	1	
17	60V-8183T-00	.GEAR, IDLER .PIGNON, INTERMEDIAIRE	3	3	
18	6FP-81842-00	.COVER .COUVERCLE	1	1	
19	6FP-81839-00	.LEVER ASSY .LEVIER COMPLET	1	1	
20	6EM-81941-00	.STARTER RELAY ASSY .LANCEUR RELAIS (ENS.)	1	1	
21	6C5-81869-00	.COVER, DUST .COUVERCLE, POUSSIERE	1	1	
22	6CB-81826-00	.BOLT .BOULON	2	2	
23	69J-81828-00	.BOLT 2 .BOULON 2	2	2	
24	67F-81846-00	.SCREW .VIS	2	2	

FIG. 20 BOTTOM COWLING 1

CAPOT INFERIEUR 1



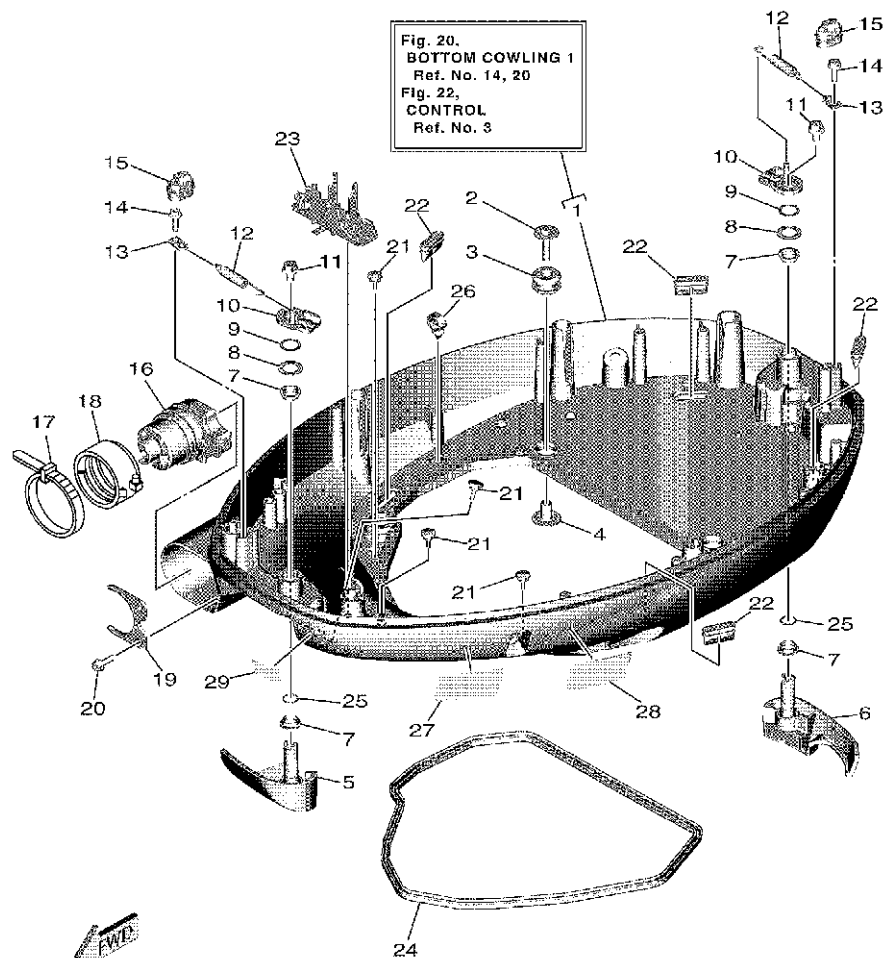
6FP1100DR200

REF. NO.	PART NO. N° PIECES	DESCRIPTION DESCRIPTION	6HVS	6HJ3	REMARKS REMARQUES
1	6FP-42710-01-8D	BOTTOM COWLING ASSY ENS. EMBASE	1	1	
2	90119-08M22	BOLT, WITH WASHER BOULON, AVEC RONDELLE	4	4	
3	90480-22M15	GROMMET PASSE-FIL	4	4	
4	90387-08M37	COLLAR COLLERETTE	4	4	
5	6FP-42815-00-8D	LEVER, CLAMP 1 LEVIER, PRESSE 1	1	1	
6	6FP-42816-00-8D	LEVER, CLAMP 2 LEVIER, PRESSE 2	1	1	
7	90386-15M73	BUSH DOUILLE	4	4	
8	90201-156J2	WASHER, PLATE RONDELLE, PLATE	2	2	
9	90206-15M18	WASHER, WAVE RONDELLE, ONDULEE	2	2	
10	6CB-42818-00	LEVER, CLAMP 4 LEVIER, PRESSE 4	2	2	
11	95D95-08012	BOLT, FLANGE DEEP RECESS BOULON FIXATION	2	2	
12	90506-22001	SPRING, TENSION RESSORT, TENSION	2	2	
13	66T-43144-00	HOOK, SPRING CROCHET	2	2	
14	90109-06M86	BOLT BOULON	2	2	
15	6EK-42728-00	CAP CAPUCHON	2	2	
16	6EK-42725-00	GROMMET PASSE-FIL	1	1	
17	90464-20258	CLAMP BRIDE	1	1	AP
18	68F-42753-00	FASTNER ATTACHE	1	1	AP
19	6CB-42761-00	STOPPER PLAQUETTE	1	1	AP
20	90109-06316	BOLT BOULON	2	2	
21	6H4-42748-00	GROMMET PASSE-FIL	4	4	
22	67F-42717-00	RUBBER, SEAL 2 JOINT EN CAOUTCHOUC 2	4	4	
23	68V-82594-00	CLAMP BRIDE	1	1	
24	6EK-42716-00	RUBBER SEAL 1 JOINT EN CAOUTCHOUC 1	1	1	
25	93210-13M63	O-RING JOINT TORIQUE	2	2	
26	90464-13249	CLAMP BRIDE	1	1	
27	6EE-42794-40	LABEL, WARNING (GENERAL) ETIQUETTE, AVERTISSEMENT	1	1	

FIG. 20 BOTTOM COWLING 1

CAPOT INFÉRIEUR 1

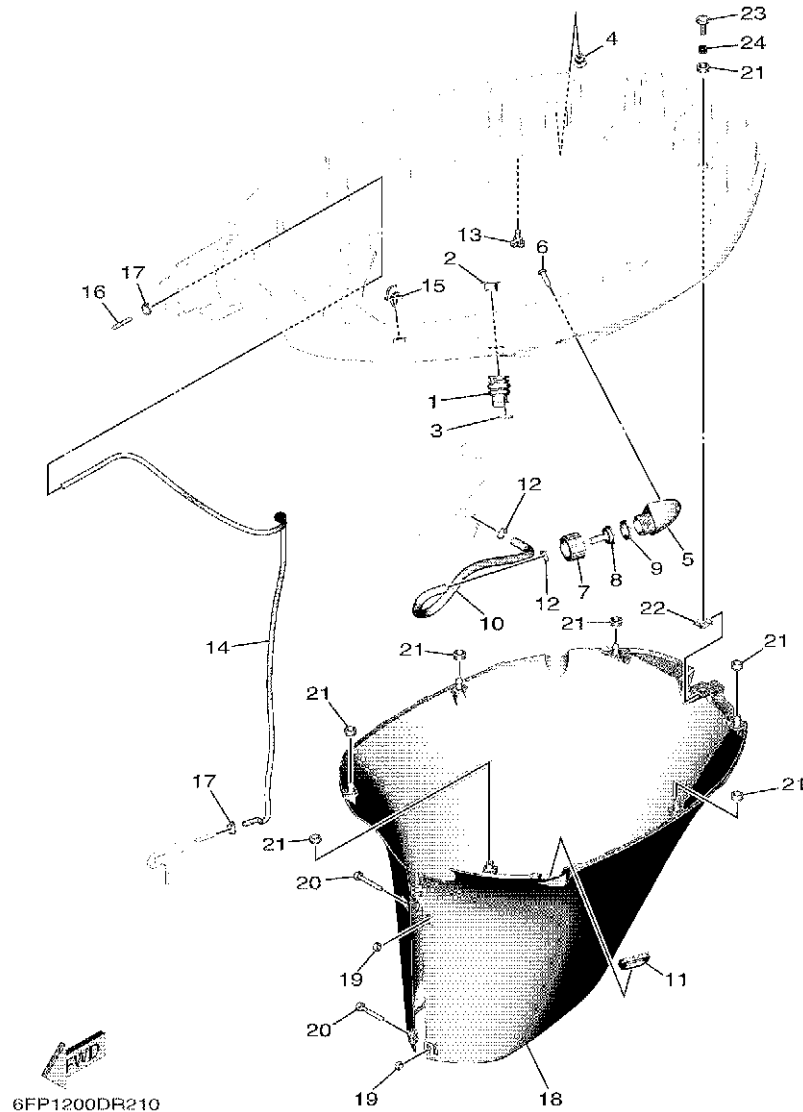
REF. NO.	PART NO. N° PIÈCES	DESCRIPTION DESCRIPTION	6HV3	6HJ3	REMARKS REMARQUES
28	6EE-42794-50	LABEL, WARNING (GENERAL) ETIQUETTE, AVERTISSEMENT	1	1	
29	6AH-81996-00	MARK MARQUE	1	1	



6FP1100DR200

FIG. 21 BOTTOM COWLING 2

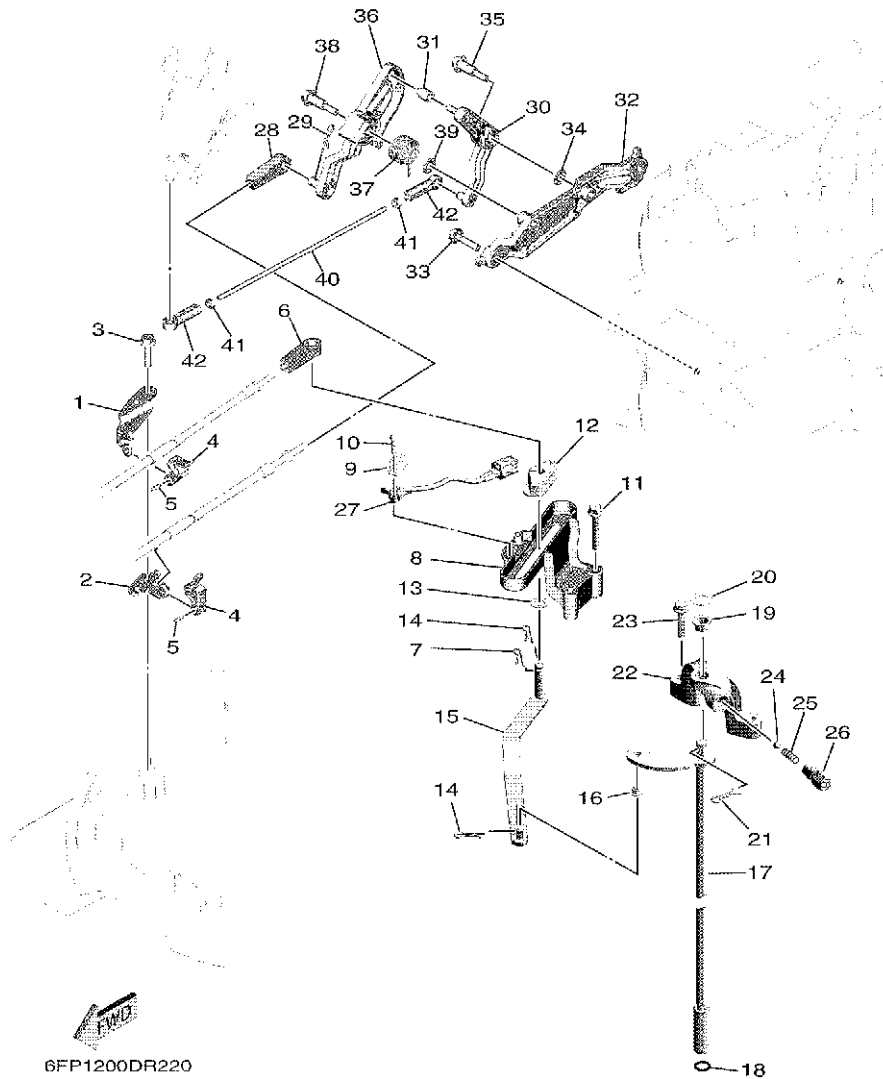
CAPOT INFERIEUR 2



REF. NO.	PART NO. N° PIECES	DESCRIPTION DESCRIPTION	6HVS	6HJ3			REMARKS REMARQUES
1	6H1-42726-30	GROMMET PASSE-FIL	1	1			
2	6BG-42384-00	SEAL, CAP JOINT, CAPUCHON	1	1			
3	90465-11M10	CLAMP BRIDE	1	1			
4	6P2-44391-00	NIPPLE, HOSE RACCORD D'ESSENCE	1	1			
5	6AW-12572-00	ADAPTER ADAPTATEUR	1	1			
6	97780-60520	SCREW, TAPPING VIS, TETE BOMBEE	2	2			
7	6R3-12581-00	JOINT, HOSE 1 JOINT DE TUYAU	1	1			
8	6R3-12582-00	JOINT, HOSE 2 RACCORD DE TUYAU 1	1	1			
9	6R3-12583-00	GASKET, HOSE JOINT JOINT	1	1			
10	6EK-42541-00	PIPE 1 TUYAU 1	1	1			
11	6AH-42726-00	GROMMET PASSE-FIL	1	1			
12	90465-11M10	CLAMP BRIDE	2	2			
13	6P2-44391-00	NIPPLE, HOSE RACCORD D'ESSENCE	1	1			
14	90445-073F9	HOSE (L1200) DURITE (L1200)	1	1			
15	90464-07259	CLAMP BRIDE	1	1			
16	6E5-83558-00	END, NIPPLE RACCORD DE NIPPLE	1	1			
17	90465-11M10	CLAMP BRIDE	2	2			
18	6FP-42741-00-8D	APRON CAPOT LATERAL	1	1			
19	95380-06600	NUT, HEXAGON ECROU	2	2			
20	90159-06M28	SCREW, WITH WASHER VIS, AVEC RONDELLE	2	2			
21	90480-13M24	GROMMET PASSE-FIL	7	7			
22	90183-061A8	NUT, SPRING ECROU, RESSORT	1	1			
23	90159-06053	SCREW, WITH WASHER VIS, AVEC RONDELLE	1	1			
24	90387-06M43	COLLAR COLLERETTE	1	1			

FIG. 22 CONTROL

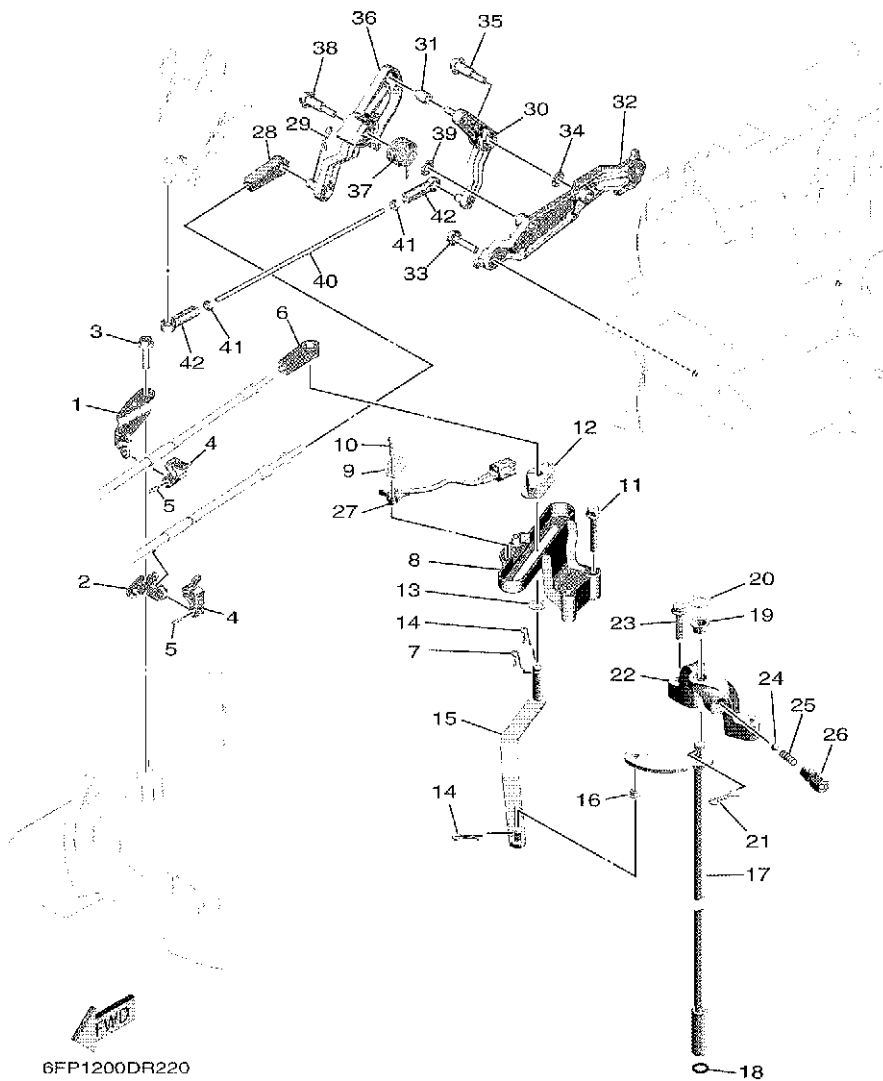
COMMANDE



REF. NO.	PART NO. N° PIECES	DESCRIPTION DESCRIPTION	6HVS	6HJ3	REMARKS REMARQUES
1	6EK-48531-01	BRACKET, REMOTE CONTROL 1 ETRIER 1, COMMANDE A DISTANCE	1	1	
2	6FP-48532-00	BRACKET, REMOTE CONTROL 2 ETRIER 2, COMMANDE A DISTANCE	1	1	
3	90109-06M81	BOLT BOULON	2	2	
4	6EK-48538-00	CLAMP, CABLE 1 COLLIER	2	2	
5	91690-30010	PIN, SPRING AGRAFFE	2	2	
6	6E5-48344-00	CABLE END, REMOTE CONTROL CHAPE CABLE	1	1	
7	90468-18008	CLIP JONC	1	1	
8	6EK-44117-01	BRACKET SUPPORT	1	1	
9	61A-82588-01	PLATE PLAQUE	1	1	
10	97985-04116	SCREW, WITH WASHER VIS, AVEC RONDELLE	2	2	
11	95D75-06040	BOLT, FLANGE DEEP RECESS BOULON FIXATION	2	2	
12	63P-44122-00	BUSHING, SHIFT ROD LEVER DOUILLE, LEVIER D'EMBAYAGE	1	1	
13	90202-08M20	WASHER, PLATE RONDELLE, PLATE	1	1	
14	90468-18008	CLIP JONC	2	2	
15	6EK-44121-00	LEVER, SHIFT ROD LEVIER, TIGE D'INVERSION	1	1	
16	90386-06M12	BUSH DOUILLE	1	1	
17	6EK-44120-00	HANDLE GEAR SHIFT ASSY LEVIER D'EMBAYAGE	1	1	
18	93210-09165	O-RING JOINT TORIQUE	1	1	
19	90386-10001	BUSH DOUILLE	1	1	
20	90201-11008	WASHER, PLATE RONDELLE, PLATE	1	1	
21	90468-180A0	CLIP JONC	1	1	
22	6EK-44118-00	BRACKET SUPPORT	1	1	
23	95D95-06030	BOLT, FLANGE DEEP RECESS BOULON FIXATION	2	2	
24	93501-04M02	BALL BILLE	1	1	
25	90501-12082	SPRING, COMPRESSION RESSORT, COMPRESSION	1	1	
26	648-42715-00	BUSHING COUSSINET	1	1	

FIG. 22 CONTROL

COMMANDE



REF. NO.	PART NO. N° PIECES	DESCRIPTION DESCRIPTION	6HV3	6HJ3			REMARKS REMARQUES
27	60V-8259F-00	SWITCH ASSY COMMULATEUR	1	1			
28	6E5-48344-00	CABLE END, REMOTE CONTROL CHAPE CABLE	1	1			
29	90468-18008	CLIP JONC	1	1			
30	6FP-42154-00	LEVER, THROTTLE CONTROL LEVIER DE COMMANDE D'AVANCE	1	1			
31	68V-42171-00	BUSHING COUSSINET	1	1			
32	6FP-41662-00	BRACKET 2 SUPPORT 2	1	1			
33	95D95-06025	BOLT, FLANGE DEEP RECESS BOULON FIXATION	2	2			
34	90201-06M05	WASHER, PLATE RONDELLE, PLATE	1	1			
35	90109-06288	BOLT BOULON	1	1			
36	6FP-41213-00	CAM, ACCEL. CAME, ACCELERATION	1	1			
37	6EK-44135-00	SPRING RESSORT	1	1			
38	90109-06288	BOLT BOULON	1	1			
39	90201-06M05	WASHER, PLATE RONDELLE, PLATE	1	1			
40	6FP-41211-00	LINK, ACCEL. BIELLETTTE, ACCELERATION	1	1			
41	95380-05600	NUT ECROU	2	2			
42	682-41237-00	JOINT, LINK RACCORD	2	2			



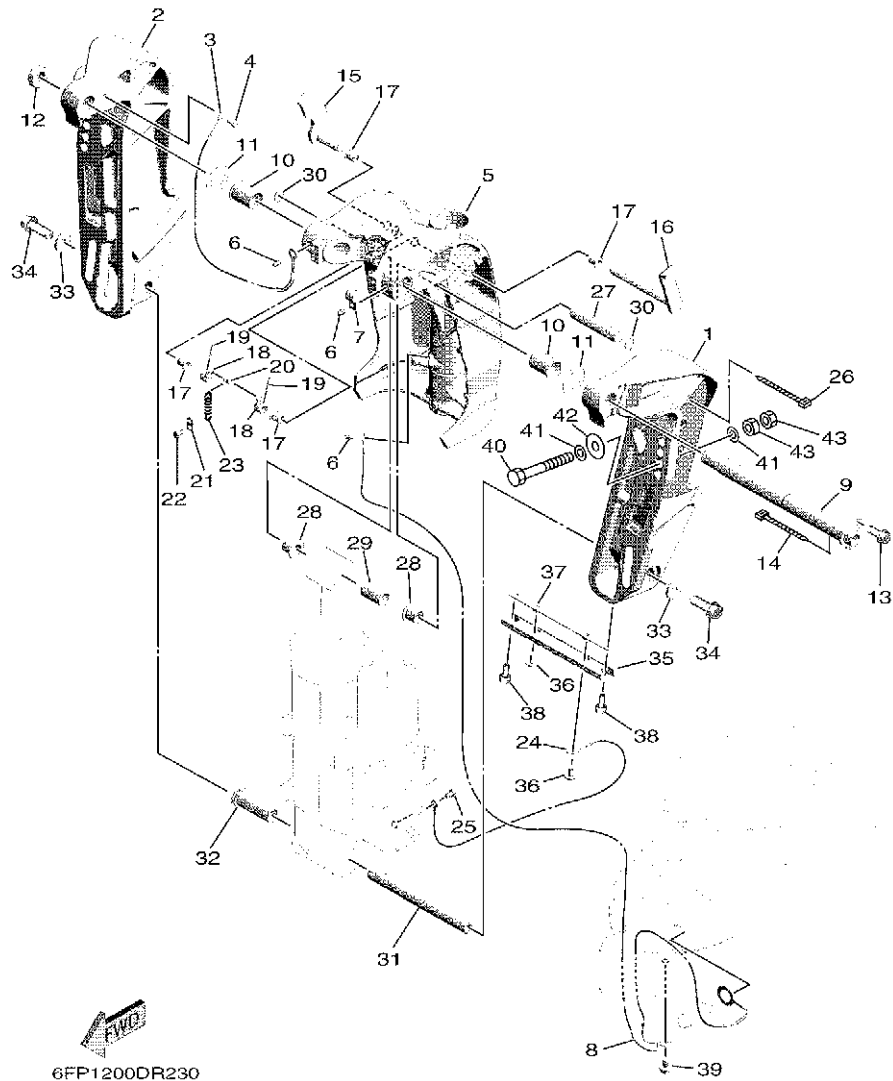


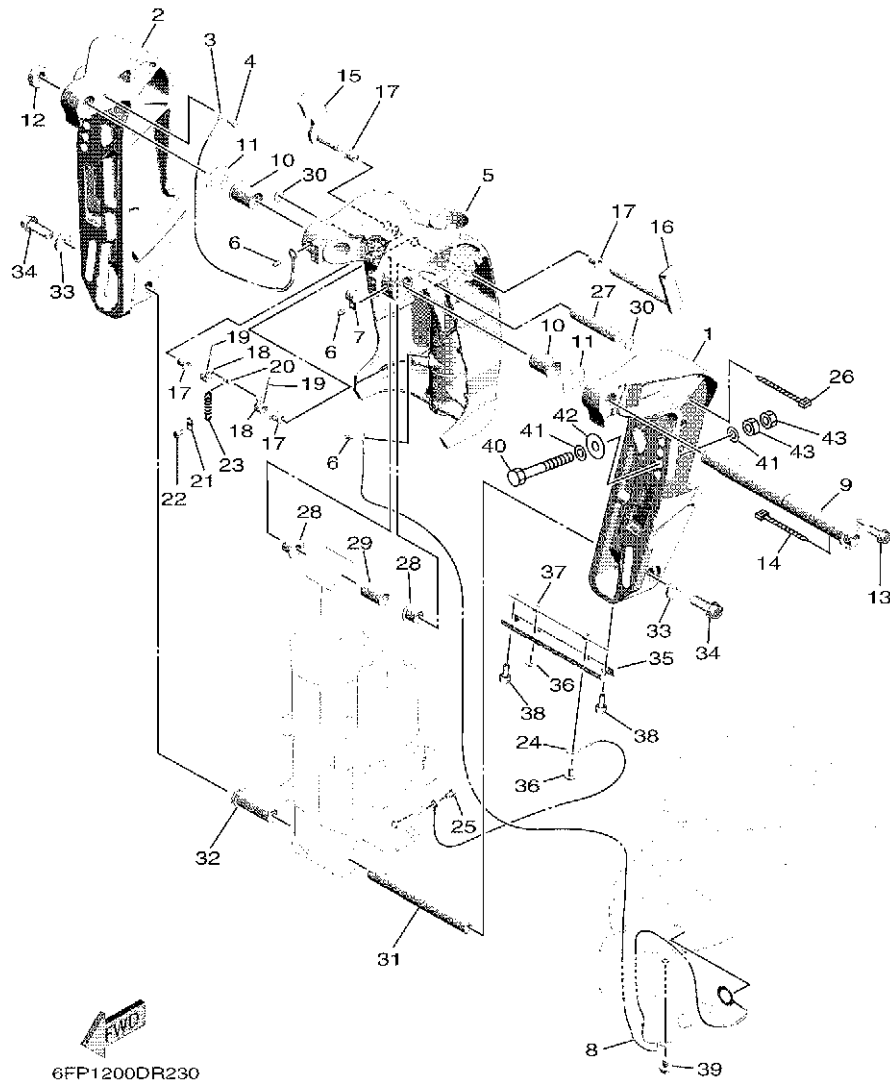
FIG. 23 BRACKET 1

SUPPORT 1

REF. NO.	PART NO. N° PIECES	DESCRIPTION DESCRIPTION	6HVS	6HJ3	REMARKS REMARQUES
1	6EK-43111-00-8D	BRACKET, CLAMP 1 PRESSE 1	1	1	
2	6EK-43112-00-8D	BRACKET, CLAMP 2 PRESSE 2	1	1	
3	6E5-82148-00	WIRE, LEAD 4 FIL 4	1	1	
4	97880-06012	SCREW, PAN HEAD VIS, TETE TRONCONIQUE	1	1	
5	6EK-43311-00-8D	BRACKET, SWIVEL 1 SUPPORT, PIVOT 1	1	1	
<hr/>					
6	93700-06002	NIPPLE, GREASE PION	3	3	
7	90465-08M63	CLAMP BRIDE	1	1	
8	66K-82149-00	WIRE, LEAD 3 FIL 3	1	1	
<hr/>					
9	64E-43131-30	BOLT, CLAMP BRACKET BOULON, PRESSE	1	1	
10	90386-25M31	BUSH DOUILLE	2	2	
11	90201-26M59	WASHER, PLATE RONDELLE, PLATE	2	2	
12	90185-22M11	NUT, SELF-LOCKING ECROU, AUTO-BLOQUANT	1	1	
13	97E95-08520	BOLT, HEXAGON W/W DEEP RECESS VIS HEXAGONAL AVC RONDELLE	1	1	
<hr/>					
14	90465-11M10	CLAMP BRIDE	1	1	
15	6EK-43181-00	LEVER, TILT STOP 1 LEVIER VERROUILLAGE RELEVAGE 1	1	1	
16	6EK-43185-00	LEVER, TILT STOP 2 LEVIER VERROUILLAGE RELEVAGE 2	1	1	
17	90386-10M16	BUSH DOUILLE	4	4	
18	6G5-43148-00	COLLAR, DISTANCE ENTRETOISE	2	2	
<hr/>					
19	91690-30020	PIN, SPRING AGRAFFE	2	2	
20	90249-06M19	PIN GOUILLE	1	1	
21	66T-43144-00	HOOK, SPRING CROCHET	1	1	
22	97D95-06010	BOLT, HEXAGON DEEP RECESS VIS HEXAGONAL	1	1	
23	90506-14M24	SPRING, TENSION RESSORT, TENSION	1	1	
<hr/>					
24	6D8-82148-00	WIRE, LEAD 4 FIL 4	1	1	
25	97E95-06510	BOLT, HEXAGON W/W DEEP RECESS VIS HEXAGONAL AVC RONDELLE	1	1	

FIG. 23 BRACKET 1

SUPPORT 1

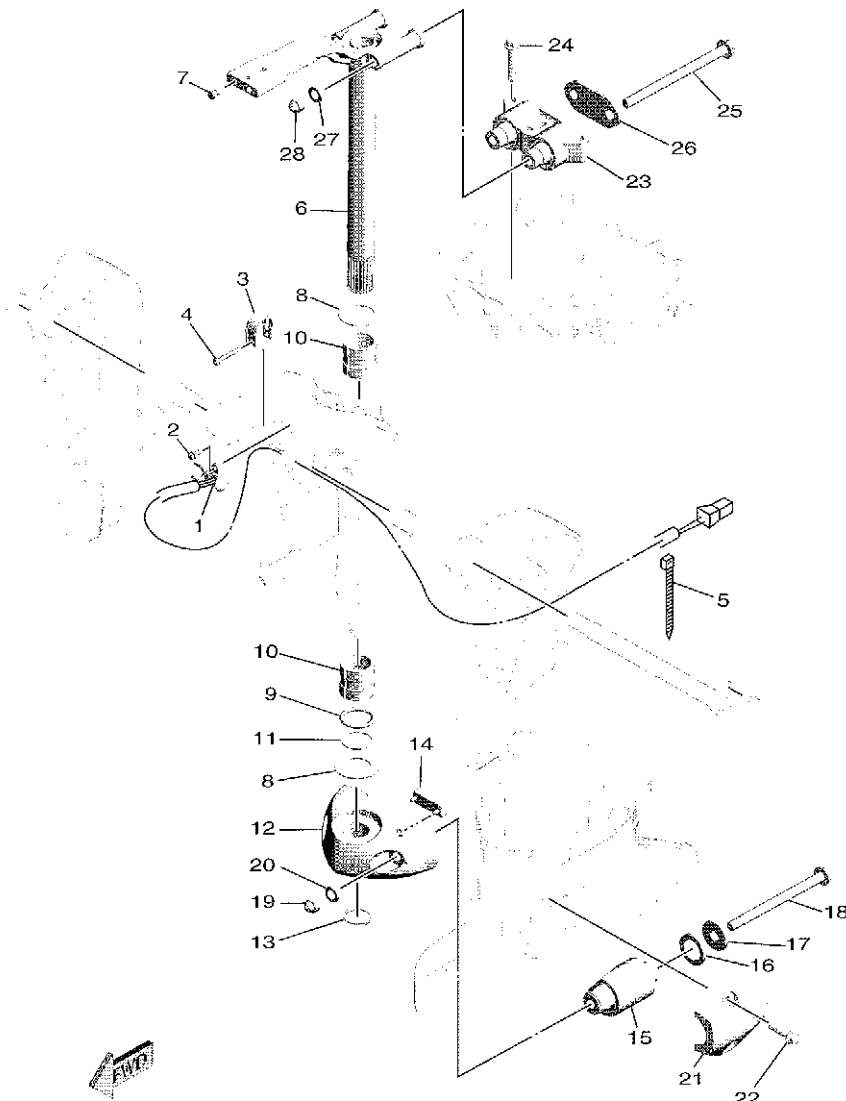


6FP1200DR230

REF. NO.	PART NO. N° PIECES	DESCRIPTION DESCRIPTION	6HVS	6HJ3	REMARKS REMARQUES
26	90465-13M18	CLAMP BRIDE	1	1	
27	6EK-43126-00	PIN, UPPER SHOCK MOUNT AXE, SUPERIEUR AMORTISSEUR	1	1	
28	90386-18M35	BUSH DOUILLE	2	2	
29	90386-18001	BUSH DOUILLE	1	1	
30	93410-18M05	CIRCLIP CIRCLIP	2	2	
31	6EK-43818-00	PIN, LOWER SHOCK MOUNT AXE, INFERIEUR AMORTISSEUR	1	1	
32	90383-20001	BUSH, FORMED DOUILLE, MISE EN FORME	1	1	
33	90201-10060	WASHER, PLATE RONDELLE, PLATE	2	2	
34	90119-10054	BOLT, WITH WASHER BOULON, AVEC RONDELLE	2	2	
35	6H1-45251-03	ANODE ANODE	1	1	
36	90119-06M81	BOLT, WITH WASHER BOULON, AVEC RONDELLE	2	2	
37	6EK-44536-00	PLATE 2 PLAQUETTE 2	1	1	
38	97E95-06616	BOLT, HEXAGON W/W DEEP RECESS VIS HEXAGONAL AVEC RONDELLE	2	2	
39	95D95-06010	BOLT, FLANGE DEEP RECESS BOULON FIXATION	1	1	
40	90101-12M05	BOLT (L:130MM) BOULON (L:130MM)	4	4	
41	90201-13M01	WASHER, PLATE RONDELLE, PLATE	8	8	
42	90201-12426	WASHER, PLATE RONDELLE, PLATE	4	4	
43	95380-12600	NUT ECROU	8	8	

FIG. 24 BRACKET 2

SUPPORT 2



6FP1200DR240

REF. NO.	PART NO. N° PIECES	DESCRIPTION DESCRIPTION	6HVS	6HJ3	REMARKS REMARQUES
1	67H-83672-01	TRIM SENDER INCLINER RACCORD	1	1	
2	97985-06216	SCREW, WITH WASHER VIS, AVEC RONDELLE	2	2	
3	64E-43139-10	CAM, TRIM SENDER VILEBREQUIN TRUM	1	1	
4	90159-05059	SCREW, WITH WASHER VIS, AVEC RONDELLE	1	1	
5	90465-11M10	CLAMP BRIDE	2	2	
6	6EK-42510-00-8D	STEERING BRACKET ASSY DIRECTION SUPPORT (ENS.)	1	1	
7	90338-08174	PLUG PLOT	2	2	
8	90201-38M60	WASHER, PLATE RONDELLE, PLATE	2	2	
9	93210-37MH7	O-RING JOINT TORIQUE	1	1	
10	90386-38M32	BUSH DOUILLE	2	2	
11	90202-40M47	WASHER, PLATE RONDELLE, PLATE	1	1	
12	6EK-44551-00-8D	HOUSING, LOWER MOUNT RUBBER 1 BOITIER, SILENT-BLOC INFÉRIEUR	1	1	
13	93410-37M04	CIRCLIP CIRCLIP	1	1	
14	61A-44575-00	DAMPER, LOWER MOUNT RUBBER SILENT-BLOC, INFÉRIEUR	1	1	
15	63P-44555-00	MOUNT DAMPER, LOWER SIDE SILENT-BLOC, INFÉRIEUR LATERAL	2	2	
16	90202-32M19	WASHER, PLATE RONDELLE, PLATE	2	2	
17	90201-16M55	WASHER, PLATE RONDELLE, PLATE	2	2	
18	90105-14013	BOLT, FLANGE BOULON, A COLLERETTE	2	2	
19	90176-14002	NUT, CROWN ECROU BORGNE	2	2	
20	92995-14600	WASHER RONDELLE	2	2	
21	6EK-44553-00-8D	COVER, LOWER MOUNT COUVERCLE, SUSPENSION INFÉRIEU	2	2	
22	90119-10058	BOLT, WITH WASHER BOULON, AVEC RONDELLE	4	4	
23	6FP-44514-00	MOUNT DAMPER, UPPER SIDE SILENT-BLOC, SUPÉRIEUR LATERAL	1	1	
24	95D75-10060	BOLT, FLANGE DEEP RECESS BOULON FIXATION	3	3	
25	90105-14007	BOLT, FLANGE BOULON, A COLLERETTE	2	2	
26	6EK-44526-00	PLATE PLAQUE	1	1	

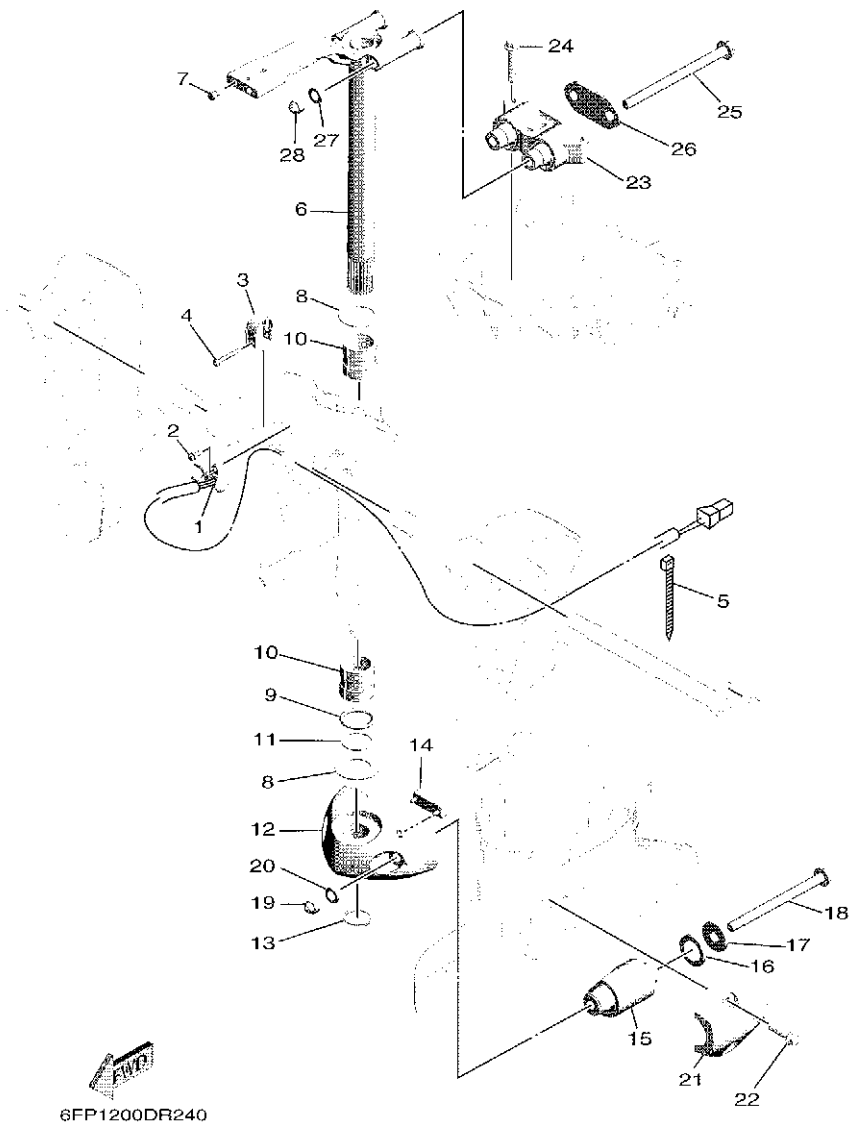


FIG. 24 BRACKET 2

SUPPORT 2

REF. NO.	PART NO. N° PIECES	DESCRIPTION DESCRIPTION	6HVS	6HJ3	REMARKS REMARQUES
27	92995-14600	WASHER RONDELLE	2	2	
28	90176-14002	NUT, CROWN ECROU BORGNE	2	2	
<hr/>					
<hr/>					
<hr/>					
<hr/>					
<hr/>					
<hr/>					
<hr/>					
<hr/>					
<hr/>					
<hr/>					

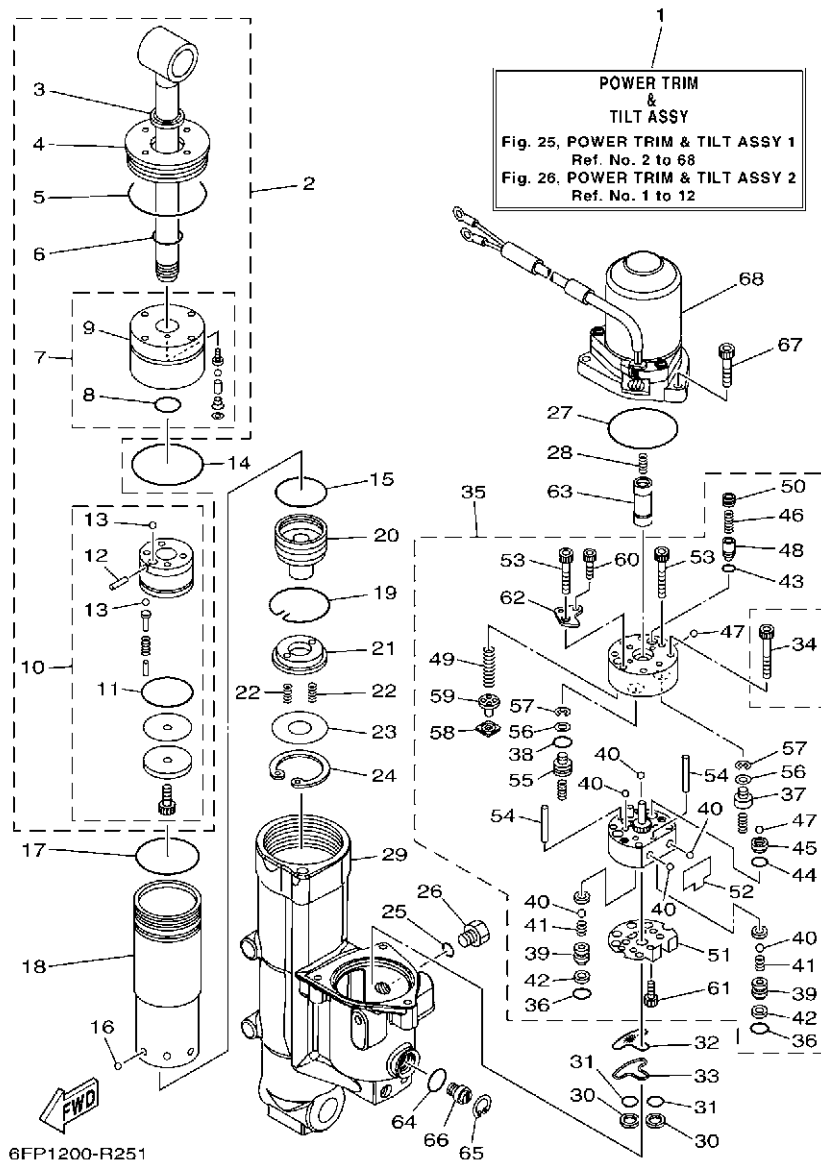
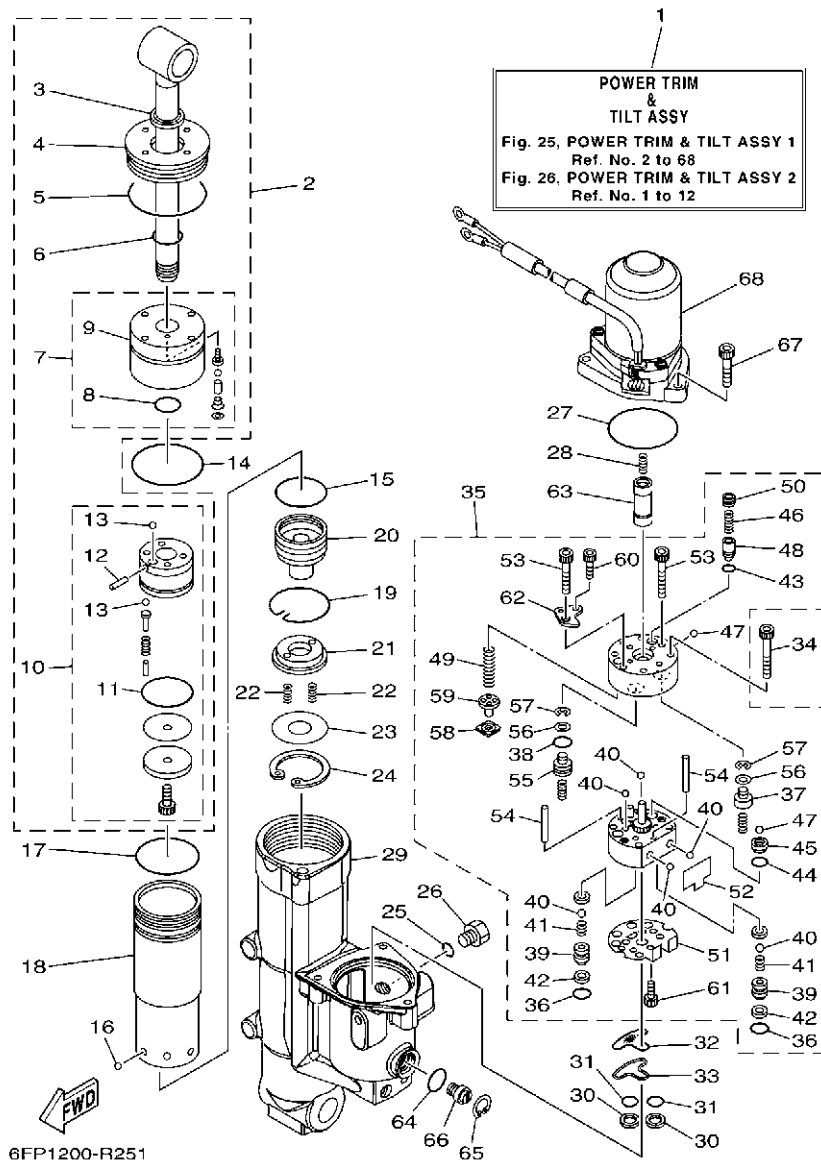


FIG. 25 POWER TRIM & TILT ASSY 1

PUISSANCE PARER ET INCLINER 1

REF. NO.	PART NO. N° PIECES	DESCRIPTION DESCRIPTION	6HV3	6HJ3	REMARKS REMARQUES
1	6FP-43800-00	POWER TRIM & TILT ASSY PUISSANCE PARER ET INCLINER (E)	1	1	
2	6EK-43810-00	TILT PISTON SUB ASSY INCLINER PISTON AUXILIAIRE(ENS)	1	1	
3	6H1-43812-00	.SEAL, DUST .JOINT	1	1	
4	6EK-43821-00	.SCREW, TRIM CYLINDER END .VIS	1	1	
5	6EK-43861-00	.O-RING .JOINT TORIQUE	1	1	
6	6D8-43861-00	.O-RING .JOINT TORIQUE	1	1	
7	6EK-4380R-00	.CYLINDER END SUB ASSY .CYLINDRE RACCORD (ENS.)	1	1	
8	6D8-43861-00	.O-RING .JOINT TORIQUE	1	1	
9	6EK-43811-00	.SCREW, CYLINDER END .VIS, CYLINDRE RACCORD	1	1	
10	6EK-4380P-00	.PISTON SUB ASSY .PISTON AUXILIAIRE (ENS.)	1	1	
11	6H1-43862-00	.O-RING .JOINT TORIQUE	1	1	
12	91609-16012	.PIN, SPRING .AXE DE RESSORT	1	1	
13	93505-32038	.BALL .BILLE	5	5	
14	67F-43865-00	O-RING JOINT TORIQUE	1	1	
15	6H1-43862-00	O-RING JOINT TORIQUE	1	1	
16	93503-16003	BALL BILLES	6	6	
17	7BB-G3861-00	O-RING JOINT TORIQUE	1	1	
18	6EK-22471-01	CYLINDER, SHOCK ABSORBER CYLINDRE, AMORTISSEUR	1	1	
19	6EK-43875-00	RING, SNAP RESSORT	1	1	
20	6EK-4381B-00	FREE PISTON SUB ASSY PISTON AUXILIAIRE (ENS.)	1	1	
21	6EK-43899-00	PLATE STOPPER PLAQUETTE	1	1	
22	62X-4384H-00	SPRING RESSORT	2	2	
23	6EK-22434-00	PLATE, VALVE 1 PLATEAU, SOUPEPE 1	1	1	
24	99009-47500	CIRCLIP CIRCLIP	1	1	
25	93210-09165	O-RING JOINT TORIQUE	1	1	
26	6EK-43829-00	PLUG, RESERVOIR BOUCHON	1	1	
27	93210-68N50	O-RING JOINT TORIQUE	1	1	



6FP1200-R251

FIG. 25 POWER TRIM & TILT ASSY 1

PUISSANCE PARER ET INCLINER 1

REF. NO.	PART NO. N° PIECES	DESCRIPTION DESCRIPTION	6HVS	6HJ3	REMARKS REMARQUES
28	62X-4384H-00	SPRING RESSORT	1	1	
29	6FP-4380K-00	CYLINDER, TILT SUB ASSY CYLINDRE	1	1	
30	6C6-43817-00	FILTER 2 FILTRE 2	2	2	
31	69J-4389J-00	O-RING JOINT TORIQUE	2	2	
32	6C5-43816-00	FILTER 1 FILTRE 1	1	1	
33	6C5-4380G-00	PLATE PLAQUE	1	1	
34	91318-05045	BOLT BOULON	4	4	
35	6FP-43830-00	GEAR PUMP ASSY POMPE A PIGNON (ENS.)	1	1	
36	69J-4389J-00	O-RING JOINT TORIQUE	2	2	
37	6D8-4384M-00	PISTON, SHUTTLE 2 PISTON 2	1	1	
38	6H1-43883-00	O-RING JOINT TORIQUE	1	1	
39	6EK-4382E-00	ADAPTOR 2 ADAPTEUR 2	2	2	
40	93505-32038	BALL BILLE	6	6	
41	6C6-43853-00	SPRING, MAIN VALVE RESSORT	2	2	
42	6C6-4387G-00	WASHER RONDELLE	2	2	
43	93210-04N51	O-RING JOINT TORIQUE	1	1	
44	93210-064A5	O-RING JOINT TORIQUE	1	1	
45	6D8-43851-00	SEAT, RELIEF VALVE SIEGE	1	1	
46	6C5-43855-10	SPRING, UP RELIEF RESSORT	1	1	
47	93501-08001	BALL BILLE	2	2	
48	6D8-43844-00	PIN, VALVE SUPPORT GOUPILLE	1	1	
49	6EK-43856-00	SPRING, DOWN RELIEF RESSORT	1	1	
50	6D8-43843-00	SCREW, VALVE LOCK VIS	1	1	
51	6C5-43895-00	SEAT, RELIEF VALVE SIEGE	1	1	
52	6C5-43854-00	SPRING, MANUAL RELEASE RESSORT	1	1	
53	91318-05030	BOLT BOULON	2	2	
54	93604-26256	PIN, DOWEL CLAVETTE	2	2	

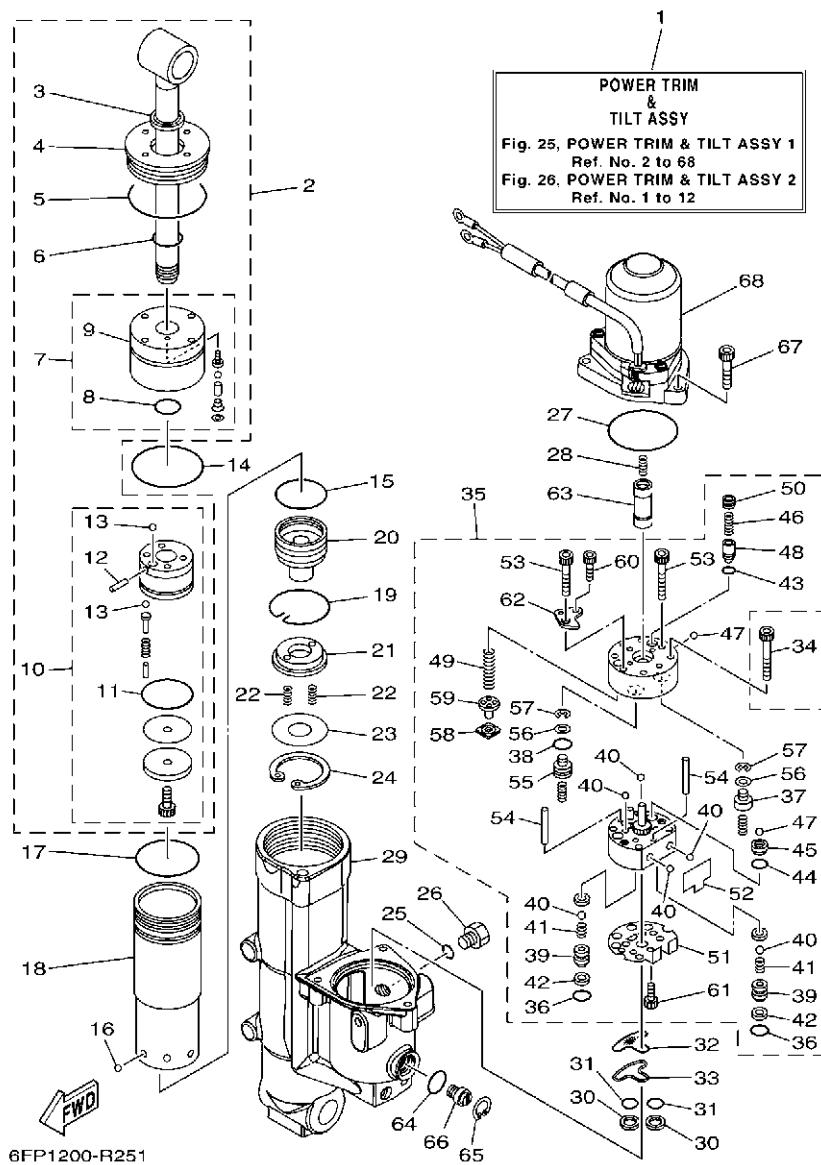


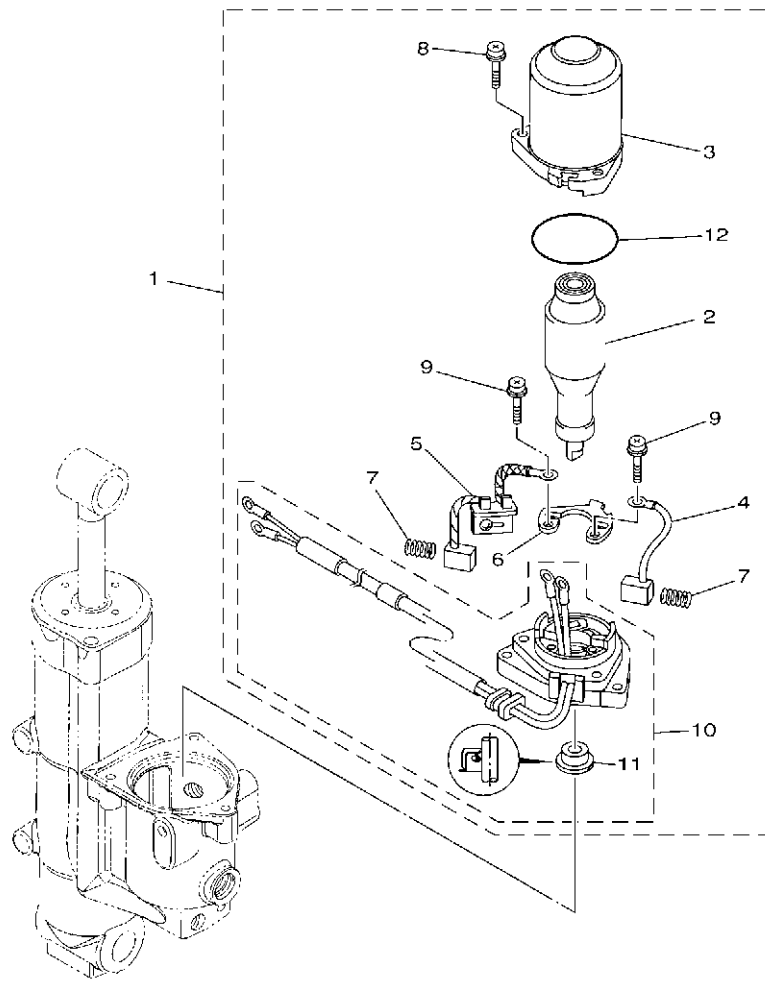
FIG. 25 POWER TRIM & TILT ASSY 1

PUISSANCE PARER ET INCLINER 1

REF. NO.	PART NO. N° PIECES	DESCRIPTION DESCRIPTION	6HV3	6HJ3	REMARKS REMARQUES
55	6D8-43841-00	.PISTON, SHUTTLE .PISTON	1	1	
56	69A-4384F-00	.SEAL, MAIN VALVE .JOINT	2	2	
57	99002-03600	.CIRCLIP .CIRCLIP	2	2	
58	6H1-4384G-11	.SEAL, RELIEF VALVE .JOINT	1	1	
59	6H1-43844-10	.PIN, VALVE SUPPORT .GOUPILLE	1	1	
60	91318-03025	.BOLT .BOULON	2	2	
61	91318-03005	.BOLT .BOULON	1	1	
62	6D8-4382L-00	.CAP, RELIEF VALVE .CAPUCHON	1	1	
63	6EK-43831-00	CONNECTOR, SHAFT RACCORD	1	1	
64	6D8-43863-00	O-RING JOINT TORIQUE	1	1	
65	6H1-43875-00	RING, SNAP RESSORT	1	1	
66	6EK-43845-00	SCREW, MANUAL RELEASE VIS	1	1	
67	91380-06025	BOLT BOULON	3	3	
68	6EK-43880-11	MOTOR ASSY MOTEUR (ENS.)	1	1	REFER TO FIG.26 REFER TO FIG.26

FIG. 26 POWER TRIM & TILT ASSY 2

PUISSANCE PARER ET INCLINER 2



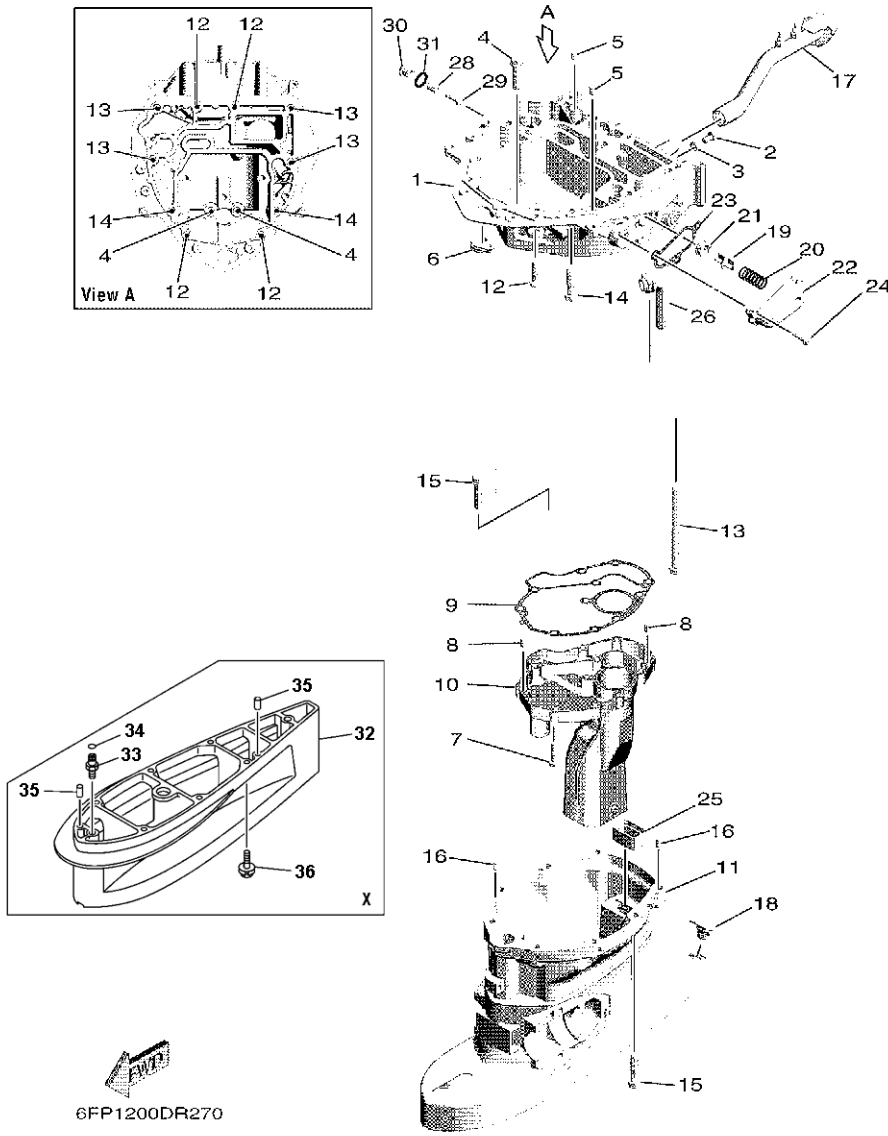
  
6EK1100-N281

REF. NO.	PART NO. N° PIECES	DESCRIPTION DESCRIPTION	6HVS	6HJ3	REMARKS REMARQUES
1	6EK-43880-11	MOTOR ASSY MOTEUR (ENS.)	1	1	
2	6EK-43805-01	.ARMATURE ASSY .INDUIT (ENS.)	1	1	
3	6EK-43804-11	.STATOR ASSY .STATOR (ENS.)	1	1	
4	6EK-43892-00	.BRUSH 2 .BALAI 2	1	1	
5	6EK-82181-00	.CIRCUIT BREAKER COMP. .RUPTEUR COMPLET	1	1	
6	6EK-4380F-00	.PLATE, BRUSH HOLDER .PLAQUE	1	1	
7	62X-4386K-00	.SPRING, BRUSH .RESSORT, BALAI	2	2	
8	63P-43879-10	.SCREW, WITH WASHER .VIS, AVEC RONDELLE	3	3	
9	97602-04316	.SCREW, PAN HEAD WITH WASHER .VIS, AVEC RONDELLE	2	2	
10	6EK-43881-11	.FRAME, END .BATI	1	1	
11	6EK-43882-00	..OIL SEAL ..JOINT SPI	1	1	
12	93210-554A9	.O-RING .JOINT TORIQUE	1	1	



FIG. 27 UPPER CASING

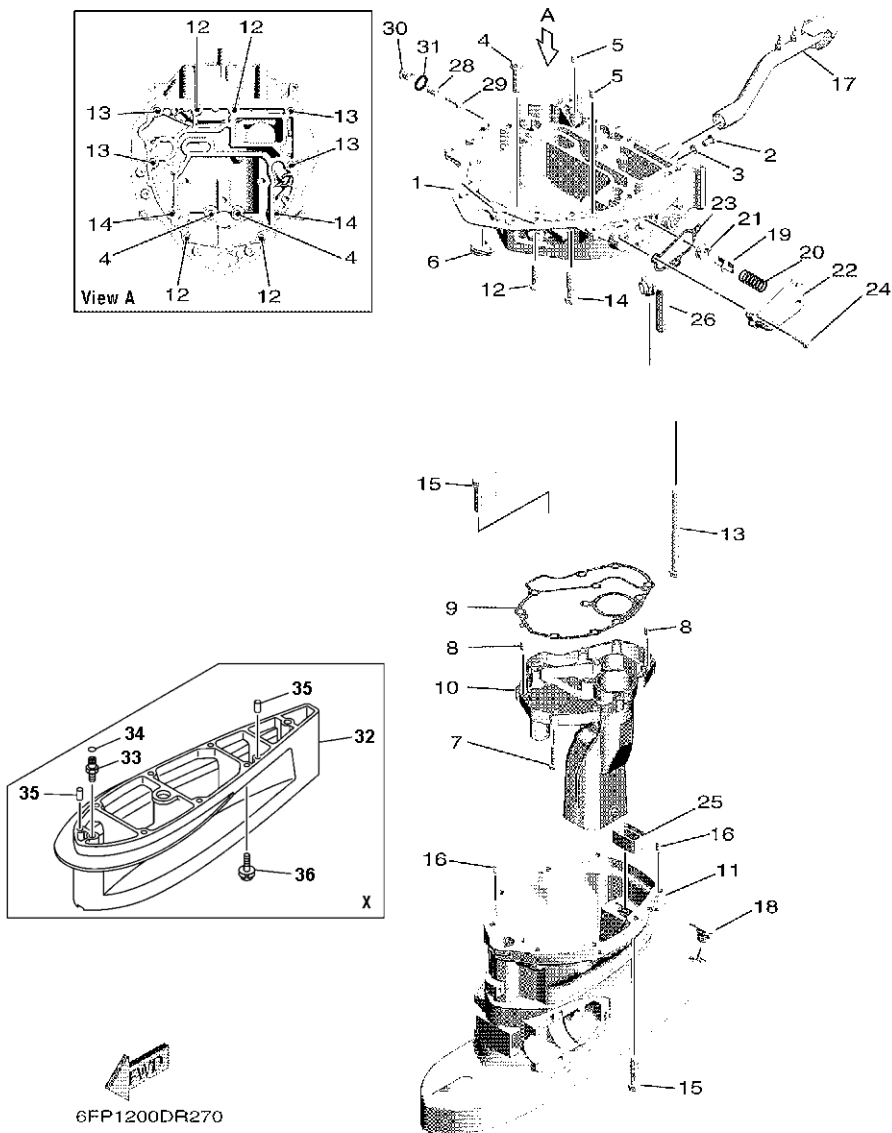
FOURREAU



REF. NO.	PART NO. N° PIECES	DESCRIPTION DESCRIPTION	6HVS	6HJ3	REMARKS REMARQUES
1	6EK-41137-01	GUIDE, EXHAUST COLLECTEUR D'ECHAPPEMENT	1	1	
2	97D95-08014	BOLT, HEXAGON DEEP RECESS VIS HEXAGONAL	1	1	
3	90430-08143	GASKET JOINT	1	1	
4	97E75-10545	BOLT, HEXAGON W/W DEEP RECESS VIS HEXAGONAL AVC RONDELLE	2	2	
5	93608-12M05	PIN, DOWEL AXE	2	2	
6	6EK-42727-00	GROMMET PASSE-FIL	1	1	
7	95D95-06030	BOLT, FLANGE DEEP RECESS BOULON FIXATION	11	11	
8	93606-12019	PIN, DOWEL GOUPILLE	2	2	
9	6EK-41134-00	GASKET, EXHAUST MANIFOLD JOINT, PIPE D'ECHAPPEMENT	1	1	
10	6FP-14711-00-CA	MUFFLER 1 POT D'ECHAPPEMENT 1	1	1	
11	6EK-45111-00-8D	CASING, UPPER FOURREAU	1	1	
12	97E75-08535	BOLT, HEXAGON W/W DEEP RECESS VIS HEXAGONAL AVC RONDELLE	4	4	
13	90119-10007	BOLT, WITH WASHER BOULON, AVEC RONDELLE	4	4	
14	97E75-10545	BOLT, HEXAGON W/W DEEP RECESS VIS HEXAGONAL AVC RONDELLE	2	2	
15	97E75-10545	BOLT, HEXAGON W/W DEEP RECESS VIS HEXAGONAL AVC RONDELLE	8	8	
16	93606-12019	PIN, DOWEL GOUPILLE	2	2	
17	6EK-42769-00	SEAL, RUBBER BOURRELET, CAOUTCHOUC	1	1	
18	6C5-45155-00	CAP CAPUCHON	1	1	
19	6G5-12416-00	VALVE, PRESSURE CONTROL SOUPEPE DE CONTROLEUR PRESS	1	1	
20	90501-200A2	SPRING, COMPRESSION RESSORT, COMPRESSION	1	1	
21	90480-20M05	GROMMET PASSE-FIL	1	1	
22	6EK-1246A-00-9S	COVER 1 COUVERCLE 1	1	1	
23	6EK-12435-A0	GASKET JOINT	1	1	
24	95D95-06025	BOLT, FLANGE DEEP RECESS BOULON FIXATION	3	3	
25	67F-45127-00	SEAL JOINT	1	1	

FIG. 27 UPPER CASING

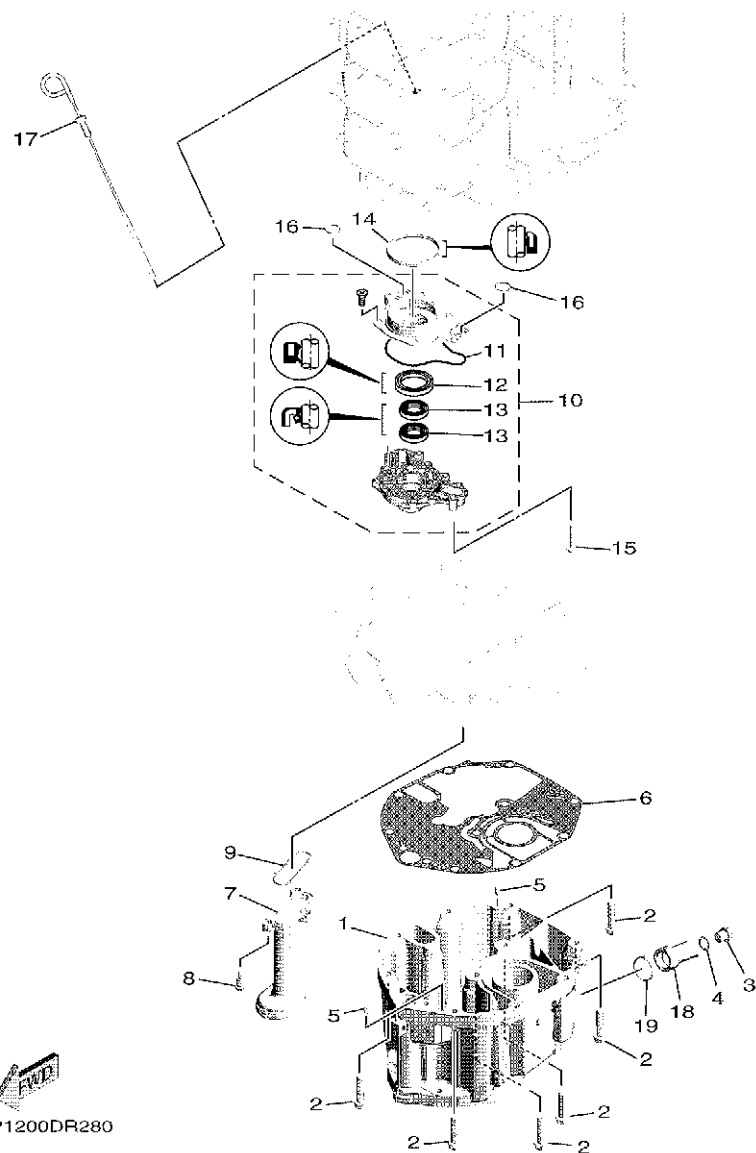
FOURREAU



REF. NO.	PART NO. N° PIECES	DESCRIPTION DESCRIPTION	6HVS	6HJ3	REMARKS REMARQUES
26	6EK-45135-00	PIPE TUYAU	1	1	
28	6G8-11325-00	ANODE ANODE	1	1	
29	98980-05025	SCREW, BIND VIS, DE PRESSION	1	1	
30	6G8-11197-A0	PLUG, BLIND PLOT, BORGNE	1	1	
31	93210-13M63	O-RING JOINT TORIQUE	1	1	
32	63P-45211-00-8D	EXTENSION EXTENSION	1	1	X(25.3")
33	63P-45378-00 36	NIPPLE, HOSE RACCORD, TUYAU	1	1	X(25.3")
34	93210-07003	O-RING JOINT TORIQUE	1	1	X(25.3")
35	93608-16M16	PIN, DOWEL AXE	2	2	X(25.3")
36	97595-10645	BOLT, WITH WASHER VIS HEXAGONAL AVC RONDELLE	6	6	X(25.3")

FIG. 28 OIL PAN

VENTILATEUR D'HUILE



REF. NO.	PART NO. N° PIECES	DESCRIPTION DESCRIPTION	6HVS	6HJ3	REMARKS REMARQUES
1	6EK-15311-01	OIL PAN VENTILATEUR D'HUILE	1	1	
2	97E75-10545	BOLT, HEXAGON W/W DEEP RECESS VIS HEXAGONAL AVC RONDELLE	6	6	
3	90340-14M06	PLUG, STRAIGHT SCREW PLOT, FILETE DROIT	1	1	
4	90430-14M09	GASKET JOINT	1	1	
5	93606-12019	PIN, DOWEL GOUPILLE	2	2	
6	6EK-15312-00	GASKET, OIL PAN JOINT DE VENTILATEUR D'HUILE	1	1	
7	67F-13411-00	STRAINER, OIL FILTRE, HUILE	1	1	
8	90109-06292	BOLT BOULON	3	3	
9	67F-13415-00	SEAL, OIL STRAINER JOINT, FILTRE A HUILE	1	1	
10	6EK-13300-00	OIL PUMP ASSY POMPE A HUILE COMPLETE	1	1	
11	6EK-13329-00	GASKET, PUMP COVER JOINT, COUVERCLE DE POMPE	1	1	
12	6AW-13119-00	OIL SEAL JOINT SPY	1	1	
13	69J-13631-00	OIL SEAL JOINT SPY	2	2	
14	69J-11355-00	SEAL, CYLINDER 1 JOINT, SPY CYLINDRE	1	1	
15	90105-06151	BOLT, FLANGE BOULON, A COLLERETTE	4	4	
16	93210-19MJ1	O-RING JOINT TORIQUE	2	2	
17	6FP-15362-00	PLUG, OIL LEVEL PLOT, NIVEAU D'HUILE	1	1	
18	6EK-15316-00	DAMPER 1 AMORTISSEUR 1	1	1	
19	90465-11M59	CLAMP BRIDE	1	1	

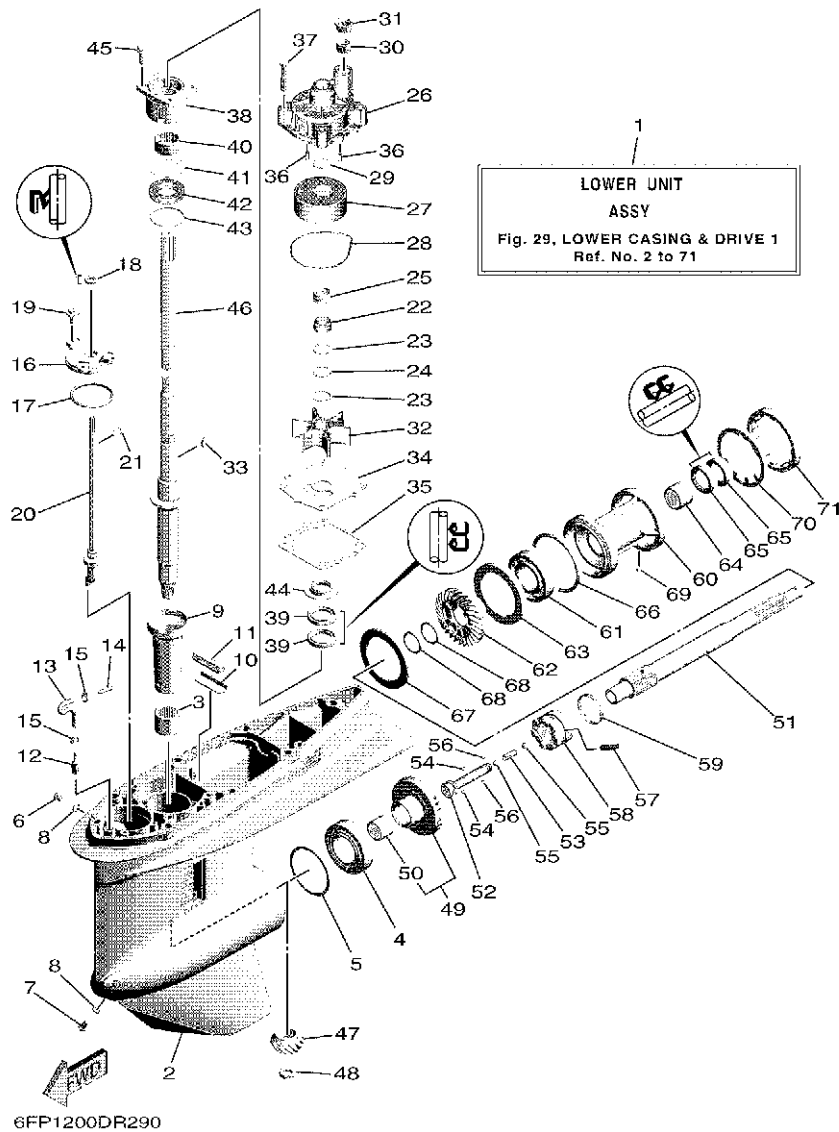


FIG. 29 LOWER CASING & DRIVE 1

BOITIER D'HELICE TRANSMISSION1

REF. NO.	PART NO. N° PIECES	DESCRIPTION DESCRIPTION	6HVS	6HJ3	REMARKS REMARQUES
1	6EK-45300-01-8D	LOWER UNIT ASSY UNITE INFERIEURE (ENS.)	1	1	L(20.3") L(20.3")
	6EK-45300-11-8D	LOWER UNIT ASSY UNITE INFERIEURE (ENS.)	1	1	X(25.3") X(25.3")
2	6E5-45301-07-8D	CASING, LOWER BEQUILLE	1	1	
3	93315-628U9	BEARING ROULEMENT	1	1	
4	93332-000U7	BEARING ROULEMENT	1	1	
5	6E5-45567-01	SHIM (T:0.10MM) CALE (T:0.10MM)	1	1	UR
	6E5-45567-10	SHIM (T:0.12MM) CALE (T:0.12MM)	1	1	UR
	6E5-45567-20	SHIM (T:0.15MM) CALE (T:0.15MM)	1	1	UR
	6E5-45567-30	SHIM (T:0.18MM) CALE (T:0.18MM)	1	1	UR
	6E5-45567-40	SHIM (T:0.30MM) CALE (T:0.30MM)	1	1	UR
	6E5-45567-50	SHIM (T:0.40MM) CALE (T:0.40MM)	1	1	UR
	6E5-45567-60	SHIM (T:0.50MM) CALE (T:0.50MM)	1	1	UR
6	90340-08002	PLUG, STRAIGHT SCREW PLOT, FILETE DROIT	1	1	
7	688-45341-10	PLUG, DRAIN BOUCHON DE VIDANGE	1	1	
8	90430-08003	GASKET JOINT	2	2	
9	6E5-45536-00	SLEEVE, DRIVE SHAFT MANCHON, ARBRE MOTEUR	1	1	
10	663-45376-00	GUIDE, SEAL DAMPER BUTEE, JOINT CAOUTCHOUC	1	1	
11	688-45375-00	DAMPER, SEAL BOURRELET, CAOUTCHOUC	1	1	
12	6E5-45378-00	NIPPLE, HOSE RACCORD, TUYAU	1	1	
13	90445-07ME8	HOSE (L80) DURITE (L80)	1	1	L(20.3") L(20.3")
	90445-07ME9	HOSE (L120) DURITE (L120)	1	1	X(25.3") X(25.3")
14	6E5-83558-10	END, NIPPLE RACCORD DE NIPPLE	1	1	
15	90465-11M10	CLAMP BRIDE	2	2	
16	6E5-45321-00	PLATE PLAQUETTE	1	1	
17	93210-58144	O-RING JOINT TORIQUE	1	1	
18	93106-09014	OIL SEAL JOINT SPY	1	1	
19	90119-06M10	BOLT, WITH WASHER BOULON, AVEC RONDELLE	3	3	
20	6E5-44150-03	SHIFT CAM ASSY CAME D'INVERSION	1	1	L(20.3") L(20.3")

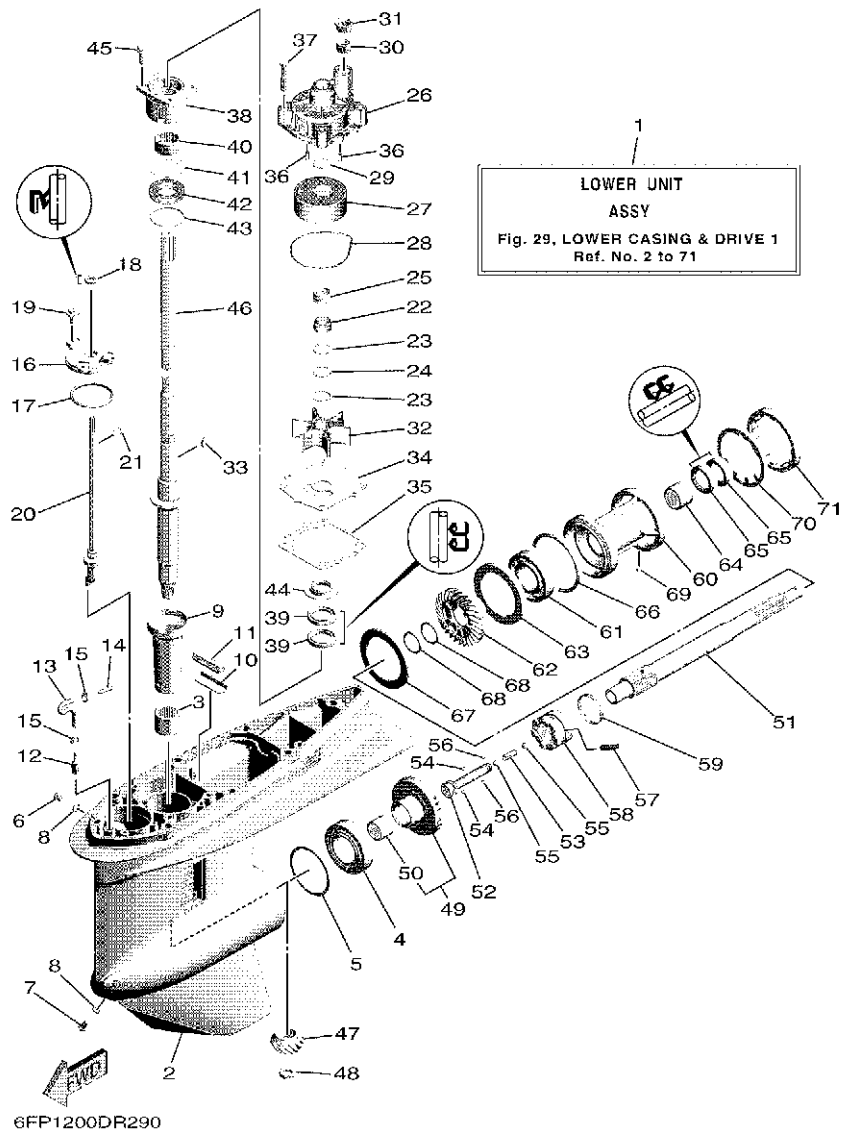


FIG. 29 LOWER CASING & DRIVE 1

BOITIER D'HELICE TRANSMISSION1

REF. NO.	PART NO. N° PIECES	DESCRIPTION DESCRIPTION	6HVS	6HJ3	REMARKS REMARQUES
20	6540600	SHIFT CAM ASSY CAME D'INVERSION	1	1	X(25.3") X(25.3")
21	99001-08600	CIRCLIP CIRCLIP	1	1	
22	61A-45538-00	SPACER 1 ENTRETOISE	1	1	
23	90201-22M01	WASHER, PLATE RONDELLE, PLATE	2	2	
24	90206-22M19	WASHER, WAVE RONDELLE, ONDULEE	1	1	
25	61A-45527-00	COLLAR, DRIVE SHAFT ENTRETOISE	1	1	
26	61A-44311-01	HOUSING, WATER PUMP CORPS, POMPE A EAU	1	1	
27	61A-44322-02	INSERT, CARTRIDGE CUVETTE	1	1	
28	93210-86M38	O-RING JOINT TORIQUE	1	1	
29	93210-37160	O-RING JOINT TORIQUE	1	1	
30	6E5-44365-00	DAMPER, WATER SEAL 1 JOINT, TUBE D'EAU 1	1	1	
31	6E5-44312-00	COVER, WATER PUMP HOUSING COUVERCLE	1	1	
32	6E5-44352-01	IMPELLER TURBINE	1	1	
33	90280-04M05	KEY, WOODRUFF CLAVETTE, DEMI-LUNE	1	1	
34	6EK-44323-00	OUTER PLATE, CARTRIDGE PLAQUE EXTERIEURE	1	1	
35	6E5-44315-A0	GASKET, WATER PUMP JOINT, POMPE A EAU	1	1	
36	93606-12019	PIN, DOWEL GOUPILLE	2	2	
37	90119-08M14	BOLT, WITH WASHER BOULON, AVEC RONDELLE	4	4	
38	6E5-45331-00-9S	HOUSING, BEARING FLASQUE, ROULEMENT	1	1	
39	93101-28M16	OIL SEAL JOINT SPY	2	2	
40	93317-330U2	BEARING ROULEMENT	1	1	
41	6E5-45587-01	SHIM (T:0.10MM) CALE (T:0.10MM)	1	1	UR
	6E5-45587-10	SHIM (T:0.12MM) CALE (T:0.12MM)	1	1	UR
	6E5-45587-20	SHIM (T:0.15MM) CALE (T:0.15MM)	1	1	UR
	6E5-45587-30	SHIM (T:0.18MM) CALE (T:0.18MM)	1	1	UR
	6E5-45587-40	SHIM (T:0.30MM) CALE (T:0.30MM)	1	1	UR
	6E5-45587-50	SHIM (T:0.40MM) CALE (T:0.40MM)	1	1	UR

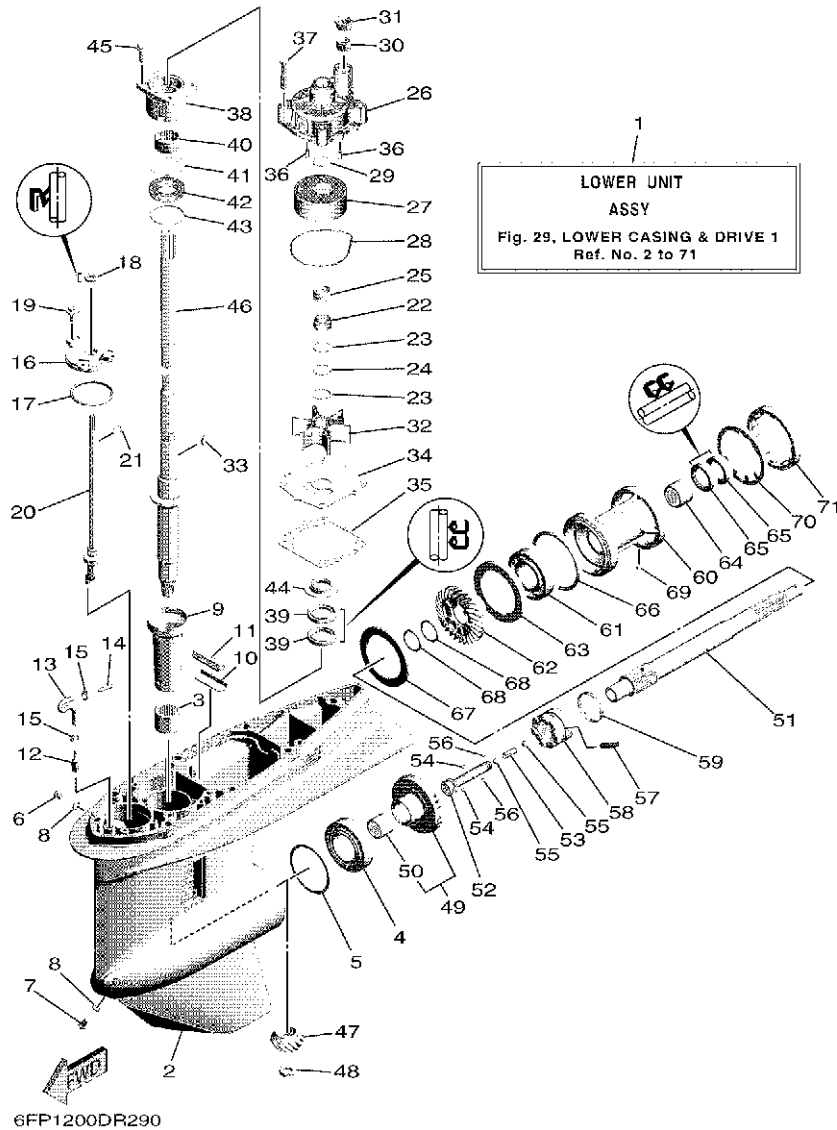


FIG. 29 LOWER CASING & DRIVE 1

BOITIER D'HELICE TRANSMISSION1

REF. NO.	PART NO. N° PIECES	DESCRIPTION DESCRIPTION	6HVS	6HJ3	REMARKS REMARQUES
41	6E5-45587-60	SHIM (T:0.50MM) CALE (T:0.50MM)	1	1	UR UR
42	93341-930V2	BEARING CERVEAUX DE DIRECTION	1	1	
43	93210-55M14	O-RING JOINT TORIQUE	1	1	
44	6E5-45344-00	COVER, OIL SEAL FLASQUE, JOINT D'HUILE	1	1	
45	97E95-08525	BOLT, HEXAGON W/W DEEP RECESS VIS HEXAGONAL AVC RONDELLE	4	4	
46	6EK-45501-00	DRIVE SHAFT COMP. ARBRE MOTEUR COMP.	1	1	L(20.3") L(20.3")
	6EK-45501-10	DRIVE SHAFT COMP. ARBRE MOTEUR COMP.	1	1	X(25.3") X(25.3")
47	68V-45551-00	PINION (13T) PIGNON D'ATTAQUE (13D)	1	1	
48	90170-16M01	NUT ECROU	1	1	
49	68V-45560-00	GEAR 1 (28T) PIGNON 1 (28T)	1	1	
50	93315-425U7	.BEARING .ROULEMENT	1	1	
51	6E5-45611-01	SHAFT, PROPELLER ARBRE, HELICE	1	1	
52	6E5-45634-02	SLIDE, SHIFT CONTRE-POUSSOIR	1	1	
53	90501-16M37	SPRING, COMPRESSION RESSORT, COMPRESSION	1	1	
54	93507-32009	BALL BILLE	2	2	
55	93511-32017	BALL BILLES	2	2	
56	93503-16003	BALL BILLES	2	2	
57	90250-08M07	PIN, STRAIGHT GOUPILLE, DROITE	1	1	
58	68V-45631-01	CLUTCH, DOG CRABOT	1	1	
59	6E5-45633-01	RING, CROSS PIN JONC, GOUPILLE CRABOT	1	1	
60	6E5-45332-00-CA	HOUSING, BEARING FLASQUE, ROULEMENT	1	1	
61	93306-208U0	BEARING ROULEMENT	1	1	
62	68V-45571-00	GEAR 2 (28T) PIGNON 2 (28T)	1	1	
63	6E5-45576-00	WASHER, THRUST 2 RONDELLE DE CALAGE 2	1	1	
64	93315-430U8	BEARING ROULEMENT	1	1	
65	93101-30M17	OIL SEAL JOINT SPY	2	2	
66	93210-86M39	O-RING JOINT TORIQUE	1	1	

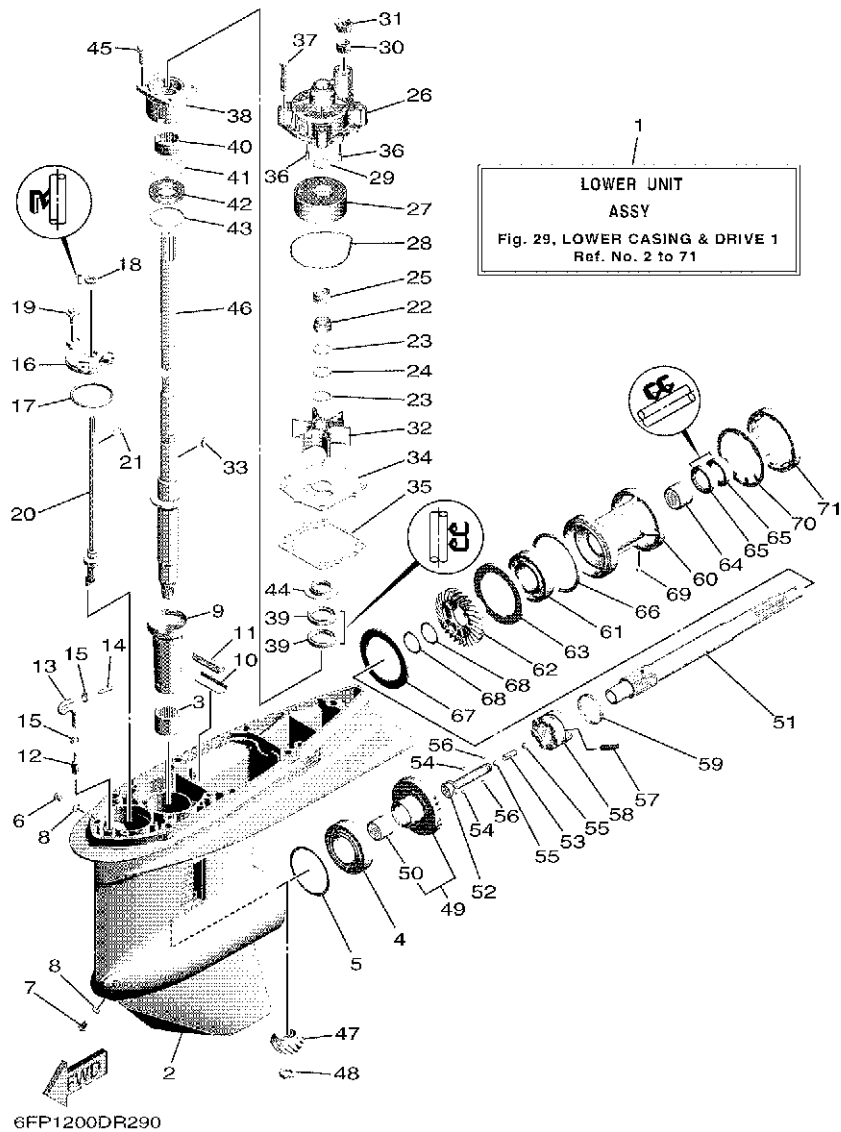


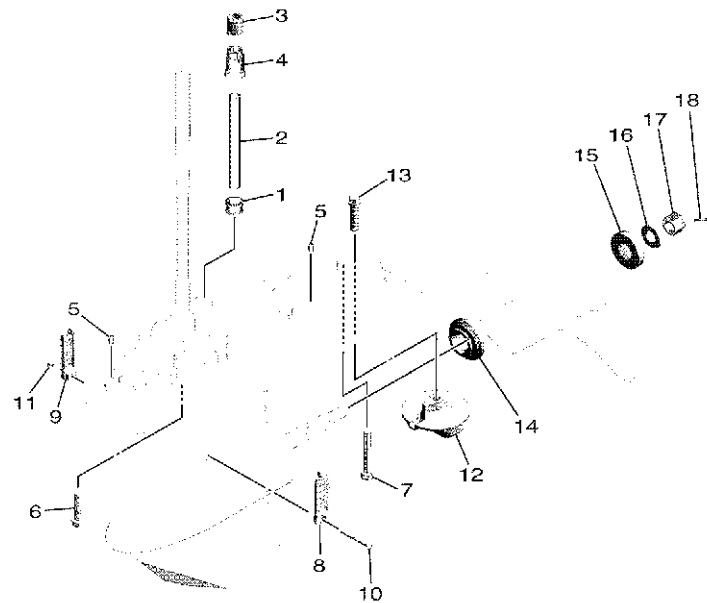
FIG. 29 LOWER CASING & DRIVE 1

BOITIER D'HELICE TRANSMISSION1

REF. NO.	PART NO. N° PIECES	DESCRIPTION DESCRIPTION	6HVS	6HJ3	REMARKS REMARQUES
67	6L6-45577-00	SHIM (T:0.10MM) CALE (T:0.10MM)	1	1	UR
	6L6-45577-10	SHIM (T:0.12MM) CALE (T:0.12MM)	1	1	UR
	6L6-45577-20	SHIM (T:0.15MM) CALE (T:0.15MM)	1	1	UR
	6L6-45577-30	SHIM (T:0.18MM) CALE (T:0.18MM)	1	1	UR
	6L6-45577-40	SHIM (T:0.30MM) CALE (T:0.30MM)	1	1	UR
	6L6-45577-50	SHIM (T:0.40MM) CALE (T:0.40MM)	1	1	UR
	6L6-45577-60	SHIM (T:0.50MM) CALE (T:0.50MM)	1	1	UR
68	90201-30M92	WASHER, PLATE RONDELLE, PLATE	2	2	
69	90282-04010	KEY, STRAIGHT CLAVETTE, DROITE	1	1	
70	688-45383-02	WASHER, CLAW FREIN D'ECROU	1	1	
71	688-45384-02	NUT ECROU	1	1	

FIG. 30 LOWER CASING & DRIVE 2

BOITIER D'HELICE TRANSMISSION2



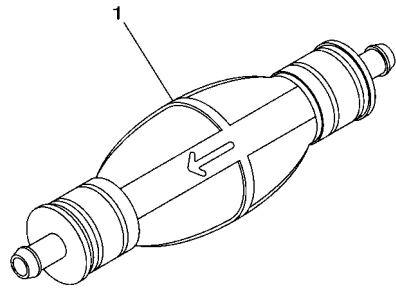
REF. NO.	PART NO. N° PIECES	DESCRIPTION DESCRIPTION	6HVS	6HJ3	REMARKS REMARQUES
1	6E5-44366-00	DAMPER, WATER SEAL 2 JOINT, TUBE D'EAU 2	1	1	
2	90440-16001	PIPE (L167) DURITE (L167)	1	1	L(20.3") L(20.3")
	90440-16002	PIPE (L294) DURITE (L294)	1	1	X(25.3") X(25.3")
3	6EK-44365-01	DAMPER, WATER SEAL 1 JOINT, TUBE D'EAU 1	1	1	
4	6EK-44379-00	GUIDE, WATER TUBE GUIDE DE TUBE D'EAU	1	1	
5	93608-12M05	PIN, DOWEL AXE	2	2	
6	97E95-10545	BOLT, HEXAGON W/W DEEP RECESS VIS HEXAGONAL AVC RONDELLE	6	6	
7	90119-10M89	BOLT, WITH WASHER BOULON, AVEC RONDELLE	1	1	
8	688-45214-02	COVER, WATER INLET 1 GRILLE, ENTREE D'EAU 1	1	1	
9	688-45215-02	COVER, WATER INLET 2 GRILLE, ENTREE D'EAU 2	1	1	
10	90152-05M07	SCREW, COUNTERSUNK VIS, TETE NOYEE	1	1	
11	90185-05002	NUT, NYLON ECROU, AUTO-BLOQUANT	1	1	
12	6E5-45371-01	TAB-TRIM ANODE DERIVE	1	1	
13	90105-10M00	BOLT, FLANGE BOULON, A COLLERETTE	1	1	
14	63P-45987-00	SPACER 1 ENTRETOISE 1	1	1	
15	688-45997-01	SPACER 2 ENTRETOISE 2	1	1	
16	92990-18200	WASHER RONDELLE, PLATE	1	1	
17	90171-18M04	NUT, CASTLE ECROU, CRENELE	1	1	
18	91490-40030	PIN, COTTER GOUPILLE	1	1	

6HK1100DS300



**FIG. 31 PRIMER PUMP**

**POMPE D'AMORCAGE**

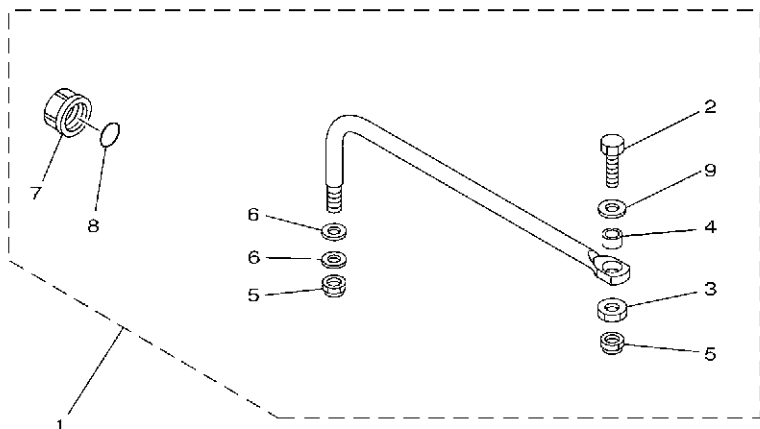


REF. NO.	PART NO. N° PIECES	DESCRIPTION DESCRIPTION	6HV3	6HJ3			REMARKS REMARQUES
1	6YK-24360-73	PRIMER PUMP ASSY POMPE D'AMORCAGE	1	1			AP AP
<hr/>							
<hr/>							
<hr/>							
<hr/>							
<hr/>							
<hr/>							
<hr/>							
<hr/>							
<hr/>							
<hr/>							

  
68VC100-L120

**FIG. 32 STEERING GUIDE**

**FIXATION DE DIRECTION**

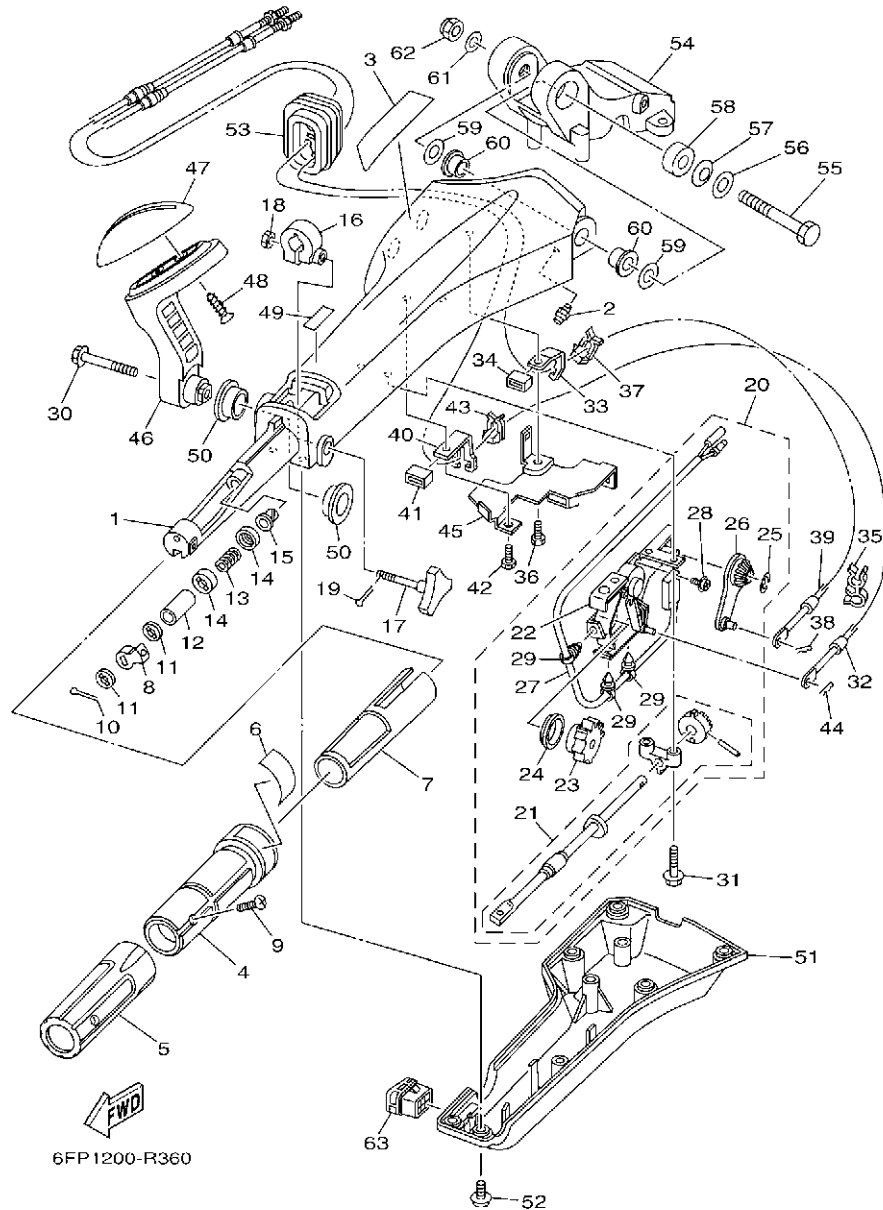


6EK1100-N330

REF. NO.	PART NO. N° PIECES	DESCRIPTION DESCRIPTION	6HVS	6HJ3	REMARKS REMARQUES
1	6EK-61350-00	STEERING GUIDE ATTACHMENT KIT FIXATIONS DE DIRECTION	1	1	AP AP
2	6E5-61355-00	.BOLT	1	1	
3	90170-09M03	.NUT	1	1	
4	90387-10M42	.COLLAR	1	1	
5	90185-09M01	.NUT, SELF-LOCKING .ECROU,AUTO-BLOQUANT	2	2	
6	90201-10M20	.WASHER, PLATE .RONDELLE, PLATE	2	2	
7	6E5-43145-01	.CAP, CLAMP BRACKET .CAPUCHON, PRESSE	1	1	
8	93210-16275	.O-RING .JOINT TORIQUE	1	1	
9	90201-10M63	.WASHER, PLATE .RONDELLE, PLATE	1	1	

FIG. 33 OPTIONAL PARTS 1

PIECES OPTIONNELLES 1



REF. NO.	PART NO. N° PIECES	DESCRIPTION DESCRIPTION	6HV3	6HJ3	REMARKS REMARQUES
1	6X4-42111-02-8D	HANDLE, STEERING POIGNEE	1	1	
2	93700-06002	NIPPLE, GREASE PION	1	1	
3	6X4-48215-00	GRAPHIC ADHESIF	1	1	
4	6X4-42119-01	GRIP, STEERING HANDLE POIGNEE, BARRE FRANCHE	1	1	
5	6X4-42177-00	RUBBER, HANDLE CAOUTCHOUC, POIGNEE	1	1	
6	6X4-42137-00	INDICATOR, THROTTLE INDICATEUR, ACCELERATION	1	1	
7	6X4-41291-00	BUSHING COUSSINET	1	1	
8	6X4-44139-01	COLLAR COLLIER	1	1	
9	90152-05007	SCREW, COUNTERSUNK VIS, TETE NOYEE	1	1	
10	91490-20010	PIN, COTTER GOUPILLE	1	1	
11	6X4-44177-00	WASHER RONDELLE	2	2	
12	6X4-42128-00	COLLAR, DISTANCE 1 COLLIER, D'ENTRETOISE 1	1	1	
13	90501-23215	SPRING, COMPRESSION RESSORT, COMPRESSION	1	1	
14	6X4-44188-00	WASHER RONDELLE	2	2	
15	90386-08032	BUSH DOUILLE	1	1	
16	63D-42126-00	FRICITION, STEERING HANDLE GRIP CUVETTE, POIGNEE DE DIRECTION	1	1	
17	6X4-48154-00	KNOB, THROTTLE BOUTON, ACCELERATEUR	1	1	
18	95380-06600	NUT, HEXAGON ECROU	1	1	
19	91490-20010	PIN, COTTER GOUPILLE	1	1	
20	6X4-44100-01	SHIFT LINK ASSY MAILLON DE SELECTEUR	1	1	
21	6X4-42115-00	.SHAFT, STEERING HANDLE .AXE, BARRE FRANCHE	1	1	
22	6X4-44102-00	.SHIFT ASSIST ASSY. .SELECTEUR DE MAINTIEN	1	1	
23	6X4-47731-01	.GEAR, DRIVE .PIGNON D'ENTRAINEMENT	1	1	
24	6X4-44132-00	.BUSHING .COUSSINET	1	1	
25	6X4-14137-00	.CLIP .JONC	1	1	
26	6X4-48261-00	.ARM, THROTTLE .BRAS, ACCELERATION	1	1	
27	6X4-82540-00	.NEUTRAL SWITCH ASSY .CONTACTEUR DE POINT-MORT	1	1	

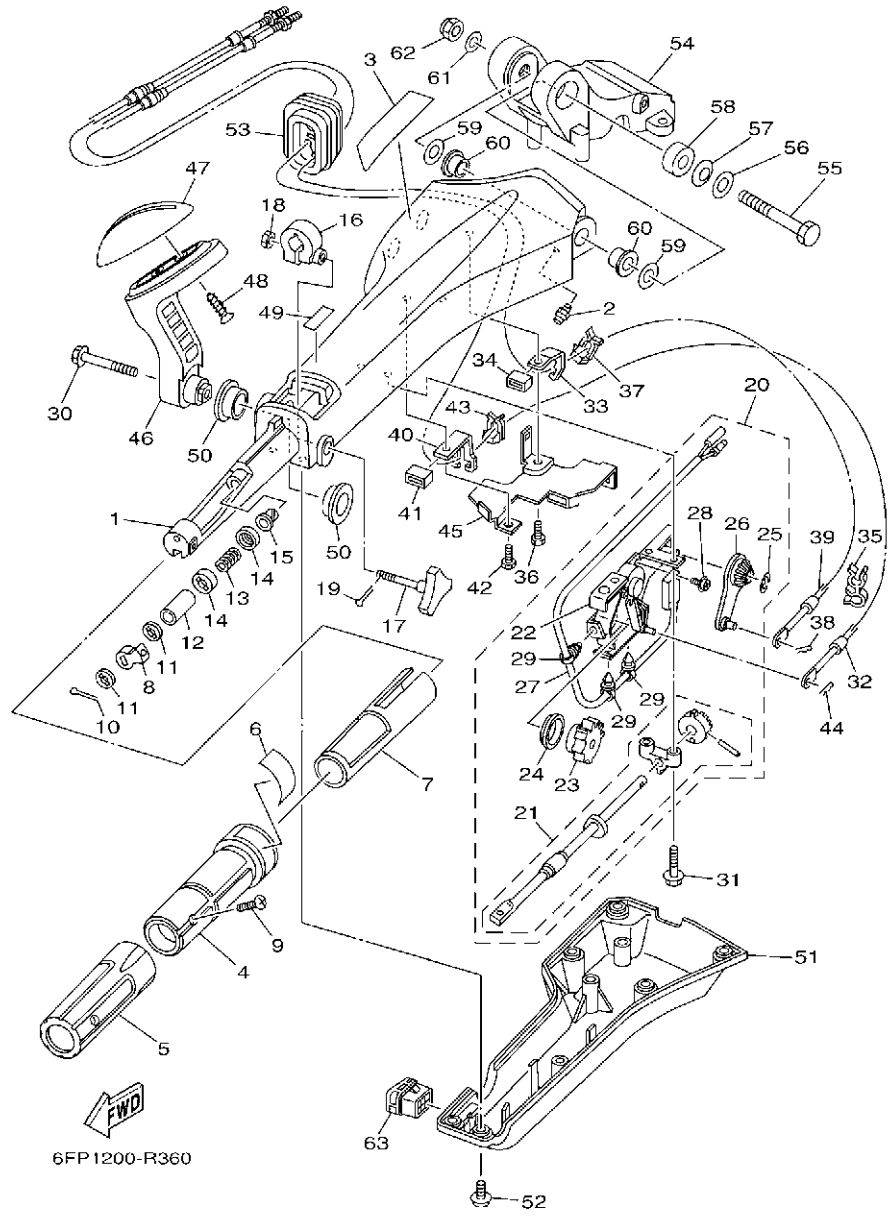


FIG. 33 OPTIONAL PARTS 1

PIECES OPTIONNELLES 1

REF. NO.	PART NO. N° PIECES	DESCRIPTION DESCRIPTION	6HV3	6HJ3	REMARKS REMARQUES
28	703-48129-00	.SCREW 3 .VIS 3	2	2	
29	6X4-42821-00	.BAND, CLAMP .BRIDE, COLLIER	3	3	
30	97E95-08540	BOLT, HEXAGON W/W DEEP RECESS VIS HEXAGONAL AVC RONDELLE	1	1	
31	97E95-06530	BOLT, HEXAGON W/W DEEP RECESS VIS HEXAGONAL AVC RONDELLE	2	2	
32	6EK-48321-00	CABLE CABLE	1	1	
33	6X4-48538-00	CLAMP, CABLE 1 COLLIER	1	1	
34	6X4-26367-00	PROTECTOR PROTECTEUR	1	1	
35	90464-09M42	CLAMP BRIDE	1	1	
36	97D95-06014	BOLT, HEXAGON DEEP RECESS VIS HEXAGONAL	1	1	
37	63D-48538-00	CLAMP, CABLE 1 COLLIER	1	1	
38	90468-10005	CLIP JONC	1	1	
39	6FP-26301-00	THROTTLE CABLE ASSY CABLE D'ACCELERATEUR	1	1	
40	6X4-48538-10	CLAMP, CABLE 1 COLLIER	1	1	
41	6X4-26367-00	PROTECTOR PROTECTEUR	1	1	
42	97D95-06014	BOLT, HEXAGON DEEP RECESS VIS HEXAGONAL	1	1	
43	63D-48538-00	CLAMP, CABLE 1 COLLIER	1	1	
44	90468-10005	CLIP JONC	1	1	
45	6X4-42159-00	STAY SUPPORT	1	1	
46	6X4-44159-A0-8D	HANDLE, GEAR SHIFT POIGNEE, LEVIER D'EMBRAYAGE	1	1	
47	6X4-44173-00	LEVER, SHIFT CONTROL POIGNEE, INVERSION	1	1	
48	97780-60920	SCREW, TAPPING VIS, TETE BOMBEE	2	2	
49	6X3-44191-00	INDICATOR, SHIFT ETIQUETTE, EMBRAYAGE	1	1	
50	90386-26MA3	BUSH DOUILLE	2	2	
51	6X4-42131-11	COVER, HANDLE STEERING COUVERCLE	1	1	
52	97985-06216	SCREW, WITH WASHER VIS, AVEC RONDELLE	6	6	
53	6X4-42725-01	GROMMET PASSE-FIL	1	1	
54	63D-42121-22-8D	BRACKET SUPPORT	1	1	

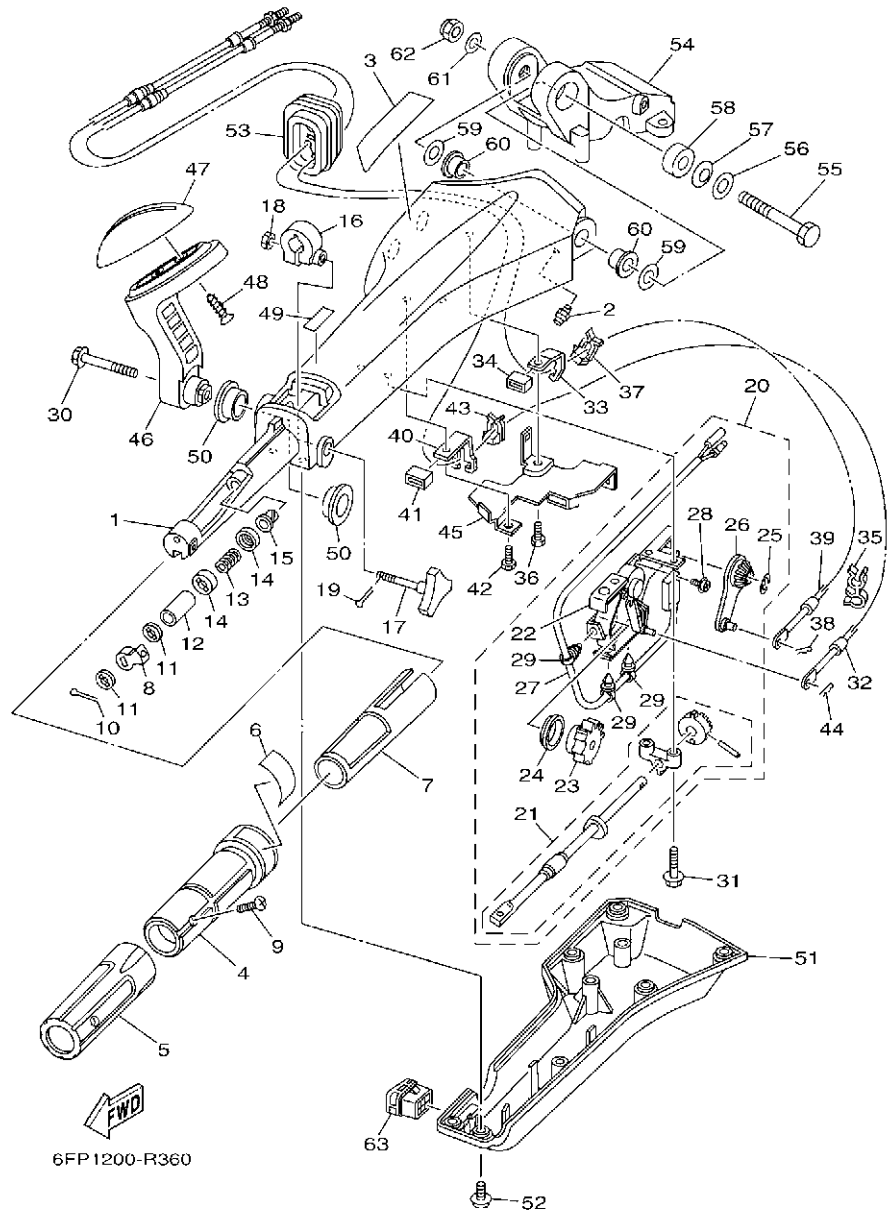


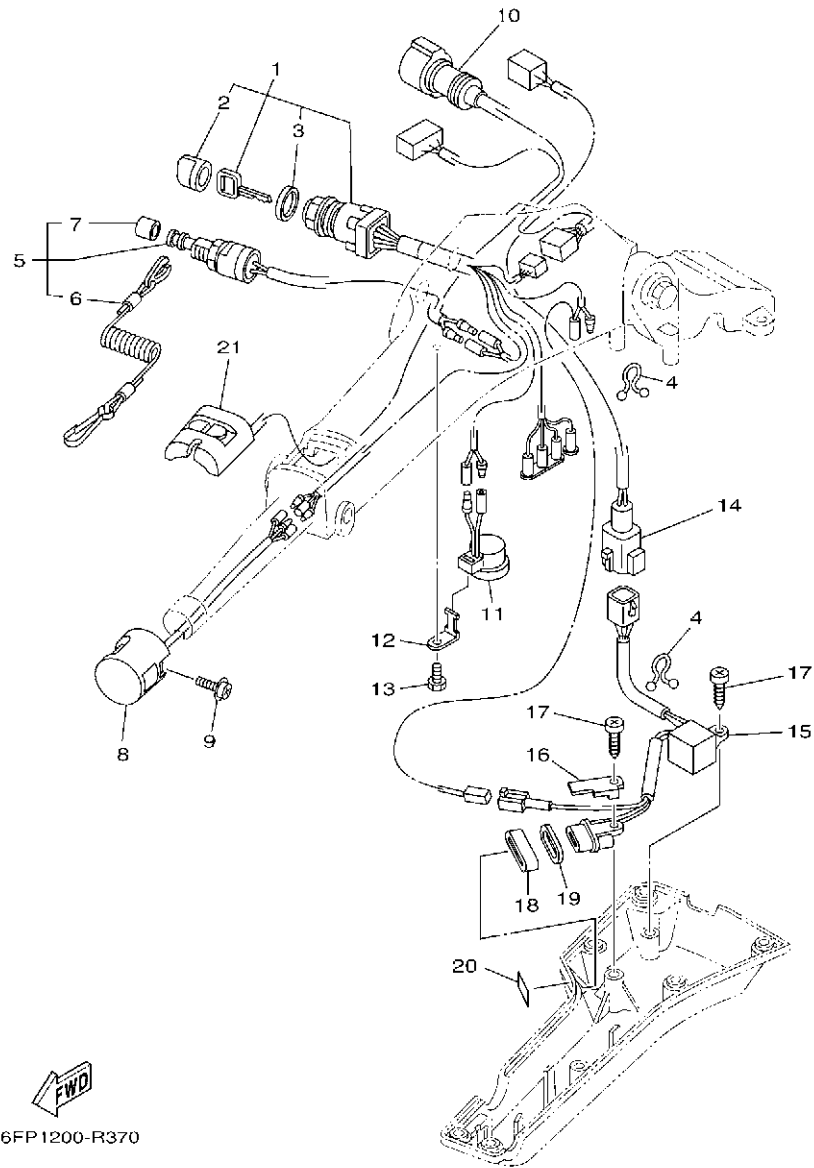
FIG. 33 OPTIONAL PARTS 1

PIECES OPTIONNELLES 1

REF. NO.	PART NO. N° PIECES	DESCRIPTION DESCRIPTION	6HV3	6HJ3		REMARKS REMARQUES
55	90101-12014	BOLT BOULON	1	1		
56	92990-12200	WASHER, PLAIN RONDELLE, PLATE	1	1		
57	90206-12M22	WASHER, WAVE RONDELLE, ONDULEE	1	1		
58	90387-12M02	COLLAR COLLERETTE	1	1		
59	90201-12035	WASHER, PLATE RONDELLE, PLATE	2	2		
60	90386-12003	BUSH DOUILLE	2	2		
61	92990-12600	WASHER, PLATE RONDELLE, PLATE	1	1		
62	90185-12M12	NUT, SELF-LOCKING ECROU, AUTO-BLOQUANT	1	1		
63	6X4-42728-10	CAP CAPUCHON	1	1		

FIG. 34 OPTIONAL PARTS 2

PIECES OPTIONNELLES 2

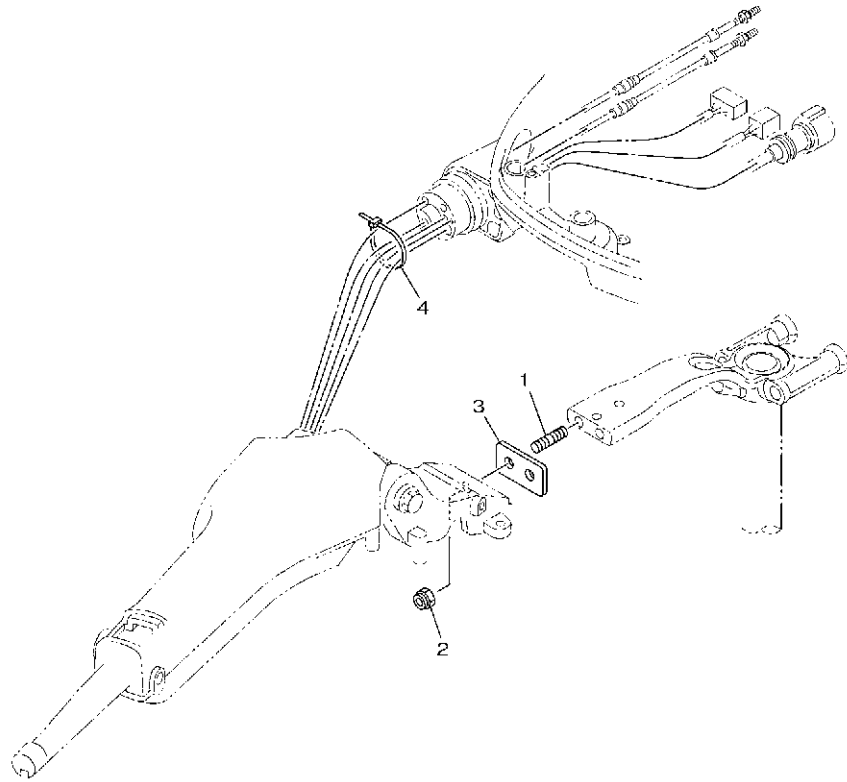


REF. NO.	PART NO. N° PIECES	DESCRIPTION DESCRIPTION	6HV3	6HJ3	REMARKS REMARQUES
1	6X4-82510-41	MAIN SWITCH ASSY CONTACTEUR A CLEF COMPLET	1	1	
2	676-82577-01	.CAP, KEY .CABOCHON	1	1	
3	703-82532-00	.CAP .COUVERCLE	1	1	
4	90464-08M07	CLAMP BRIDE	2	2	
5	69W-82575-00	ENGINE STOP SWITCH ASSY COUPE CIRCUIT CPLT	1	1	
6	682-82556-00	.LANYARD, STOP SWITCH .CORDON DU COUPE CIRCUIT	1	1	
7	689-8257Y-00	.CAP .COUVERCLE	1	1	
8	6X4-82563-01	TRIM & TILT SWITCH ASSY INCLINER ET PARER COMMULATEUR	1	1	
9	97980-06216	SCREW, WITH WASHER VIS, AVEC RONDELLE	1	1	
10	6X4-82586-10	EXT., WIRE HARNESS (L:950MM) EXT, FAISCEAU DE FILS (L:950MM)	1	1	
11	6X4-83383-00	BUZZER RONFLEUR	1	1	
12	6X4-83386-00	STAY, BUZZER SUPPOR, RONFLEUR	1	1	
13	97D95-06014	BOLT, HEXAGON DEEP RECESS VIS HEXAGONAL	1	1	
14	6X4-83653-20	WIRE, LEAD (L:700MM) FIL (L:700MM)	1	1	
15	6C5-84301-00	PILOT LIGHT ASSY 1 LAMPE-TEMOIN 1	1	1	
16	6X4-44114-00	STOPPER PLAQUETTE	1	1	
17	97780-60620	SCREW, TAPPING VIS, TETE BOMBEE	2	2	
18	6X4-42727-00	GROMMET PASSE-FIL	1	1	
19	6FM-83589-00	GASKET GARNITURE	1	1	
20	6X4-85415-00	MARK, SIGNAL LAMP ETIQUETTE	1	1	
21	6X4-81860-00	SWITCH ASSY COMMULATEUR COMPLET	1	1	

FWD  
6FP 1200-R370

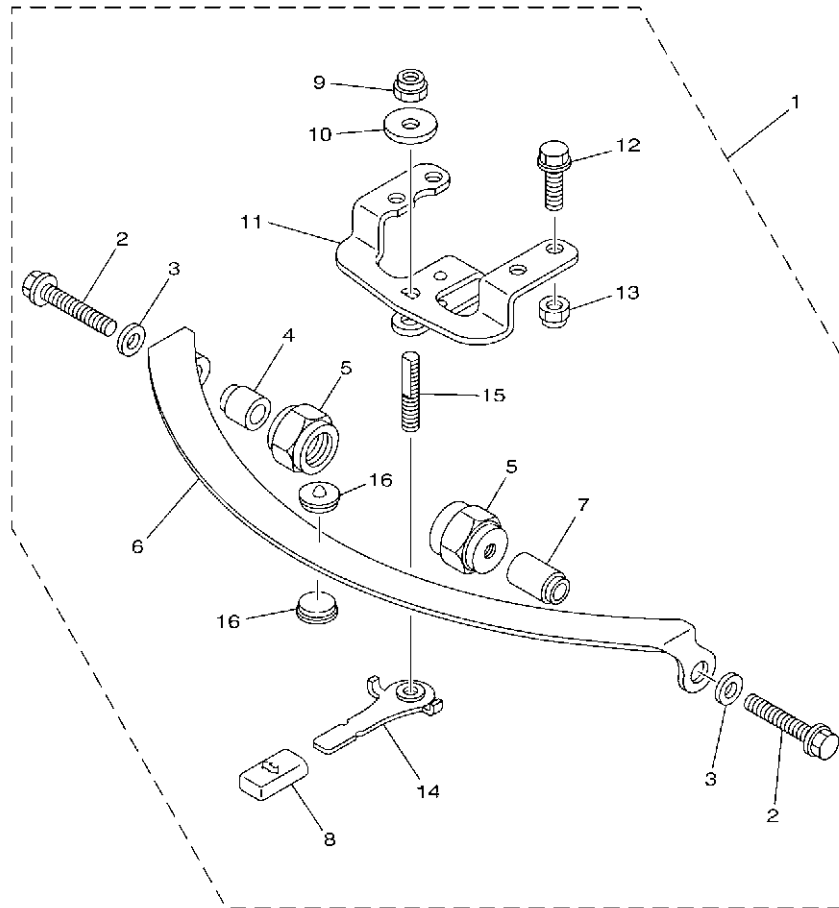
FIG. 35 OPTIONAL PARTS 3

PIECES OPTIONNELLES 3



  
6FP 1200-R380

REF. NO.	PART NO. N° PIECES	DESCRIPTION DESCRIPTION	6HVS	6HJ3	REMARKS REMARQUES
1	90116-10063	BOLT, STUD GOUJON	2	2	
2	90185-10027	NUT, SELF-LOCKING ECROU,AUTO-BLOQUANT	2	2	
3	6EK-42121-00	BRACKET SUPPORT	1	1	
4	90465-13M24	CLAMP BRIDE	1	1	
-----					
-----					
-----					
-----					
-----					
-----					
-----					
-----					
-----					
-----					
-----					



 6FP 1200-R390

FIG. 36 OPTIONAL PARTS 4

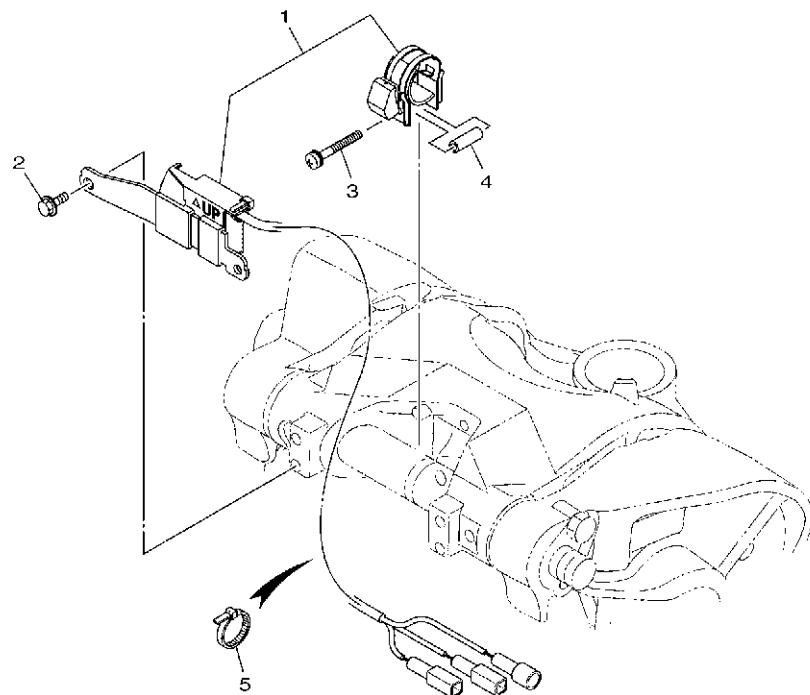
PIECES OPTIONNELLES 4

REF. NO.	PART NO. N° PIECES	DESCRIPTION DESCRIPTION	6HVS	6HJ3	REMARKS REMARQUES
1	67G-42508-11	STEERING FRICTION ASSY .DIRECTION FRICTION (ENS.)	1	1	
2	90119-08M74	.BOLT, WITH WASHER .BOULON, AVEC RONDELLE	2	2	
3	90201-08M01	.WASHER, PLATE .RONDELLE, PLATE	2	2	
4	67G-42541-00	.PIPE 1 .TUYAU 1	1	1	
5	67G-42546-00	.NUT .ECROU	2	2	
6	63D-42527-00	.PLATE, FRICTION .PLAQUE, FRICTION	1	1	
7	67G-42541-10	.PIPE 1 .TUYAU 1	1	1	
8	682-43318-01	.COVER .CAPUCHON	1	1	
9	90185-10M14	.NUT, SELF-LOCKING .ECROU,AUTO-BLOQUANT	1	1	
10	90201-10M76	.WASHER, PLATE .RONDELLE, PLATE	1	1	
11	6X4-42526-00	.PLATE, FRICTION .PLAQUE, FRICTION	1	1	
12	97E95-08525	.BOLT, HEXAGON W/W DEEP RECESS .VIS HEXAGONAL AVC RONDELLE	2	2	
13	90185-08057	.NUT, SELF-LOCKING .ECROU,AUTO-BLOQUANT	2	2	
14	67G-42561-00	.KNOB, STEERING LOCK .BOUTON	1	1	
15	67G-42562-00	.SHAFT, STEERING LOCK .ARBRE,ANTIVOL DE DIRECTION	1	1	
16	63D-42528-00	.PLATE, FRICTION .PLAQUE, FRICTION	2	2	



**FIG. 37 OPTIONAL PARTS 5**

**PIECES OPTIONNELLES 5**

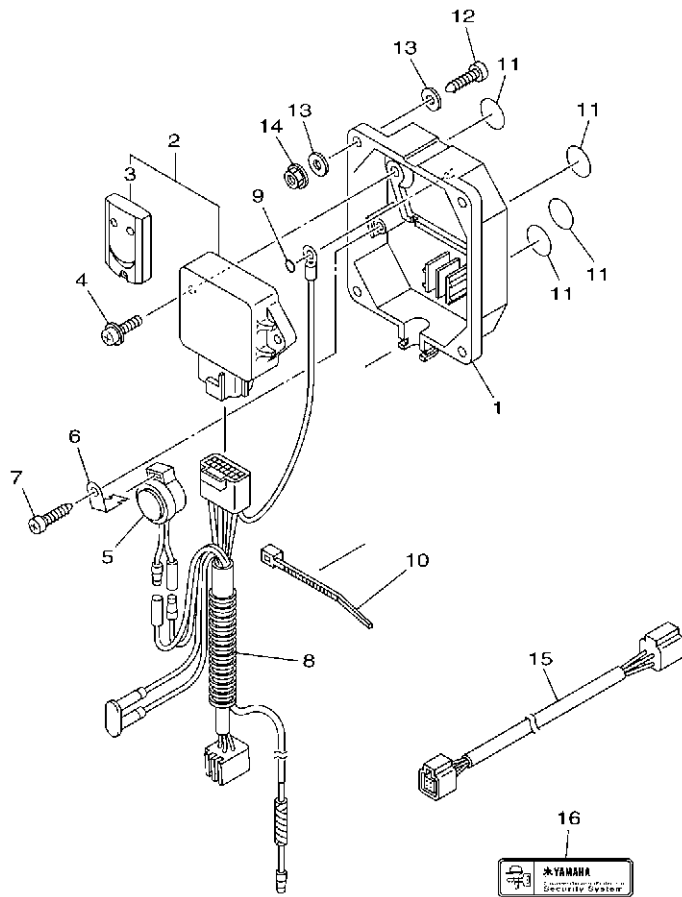


  
6EK3100-Q390

REF. NO.	PART NO. N° PIECES	DESCRIPTION DESCRIPTION	6HV3	6HJ3	REMARKS REMARQUES
1	63P-825E0-01	TILT LIMIT SWITCH ASSY COMMUNTEUR, LIMIT INCLINAISON	1	1	
2	97E95-06516	BOLT, HEXAGON W/W DEEP RECESS VIS HEXAGONAL AVEC RONDELLE	2	2	
3	90159-05059	SCREW, WITH WASHER VIS, AVEC RONDELLE	1	1	
4	90387-05004	COLLAR COLLERETTE	1	1	
5	90465-11M10	CLAMP BRIDE	5	5	
-----					
-----					
-----					
-----					
-----					
-----					
-----					
-----					
-----					
-----					

FIG. 38 OPTIONAL PARTS 6

PIECES OPTIONNELLES 6

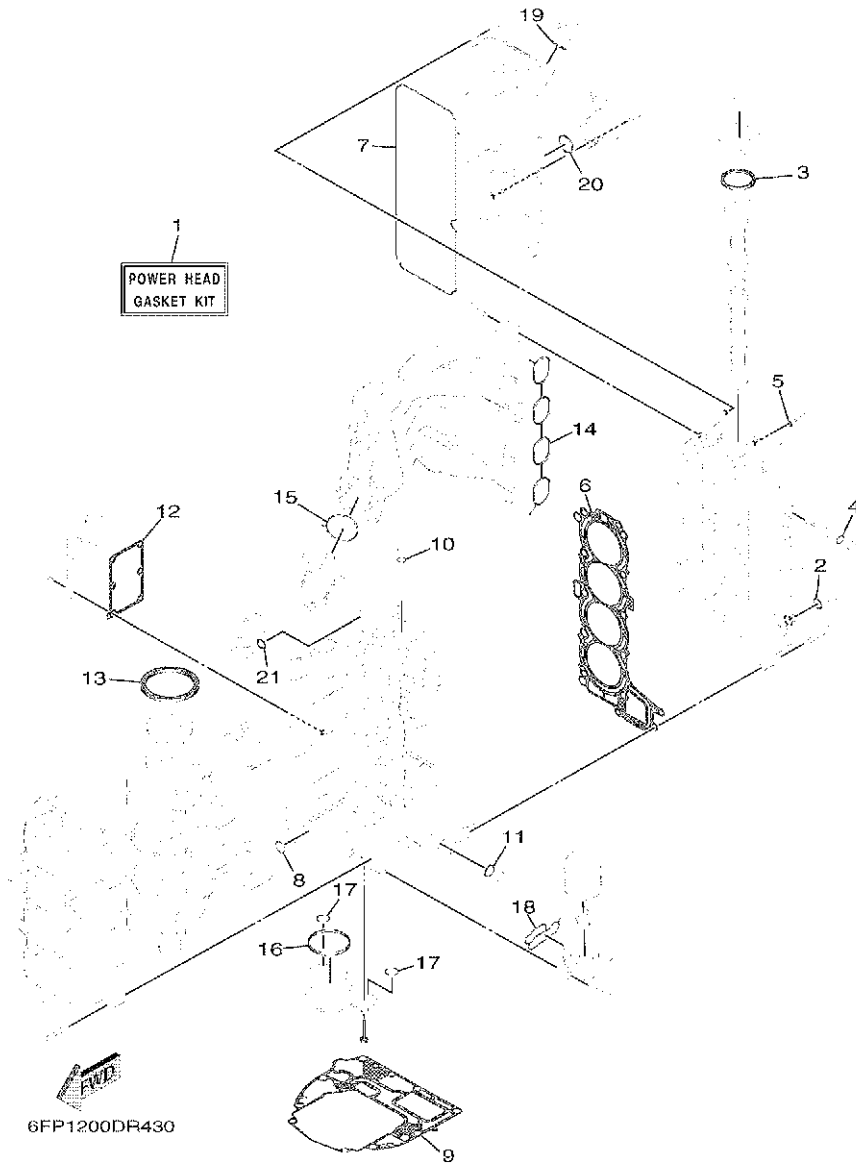


REF. NO.	PART NO. N° PIECES	DESCRIPTION DESCRIPTION	6HVS	6HJ3	REMARKS REMARQUES
1	6Y8-86267-00	CASE COMPLETE 1 CARTER (ENS.) 1	1	1	
2	6Y8-86260-03	REMOTE CONTROL UNIT ASSY UNITE DE TELECOMMANDE (ENS.)	1	1	
3	6AA-86261-01	.XMTR. COMP. .XMTR. COMP.	2	2	
4	97980-06216	SCREW, WITH WASHER VIS, AVEC RONDELLE	2	2	
5	6X4-83383-00	BUZZER RONFLEUR	1	1	
6	6X4-83386-00	STAY, BUZZER SUPPOR, RONFLEUR	1	1	
7	97780-60620	SCREW, TAPPING VIS, TETE BOMBEE	1	1	
8	6Y8-82509-10	WIRE, SUB LEAD FIL, SECONDAIRE	1	1	
9	93210-04279	O-RING JOINT TORIQUE	1	1	
10	90465-11M10	CLAMP BRIDE	1	1	
11	6Y8-8454G-00	PATCH 1 TAMPON 1	4	4	
12	90167-06M00	SCREW, TAPPING VIS, TETE FRAISEE	4	4	UR
	97880-06035	SCREW, PAN HEAD VIS, TETE TRONCONIQUE	4	4	UR
13	90201-06M30	WASHER, PLATE RONDELLE, PLATE	8	8	UR
14	95780-06300	NUT, FLANGE ECROU	4	4	
15	6Y8-82521-11	2FT PIGTAIL BUS FAISCEAU (L: 2FT.)	1	1	
16	6Y8-48277-00	STICKER 1 ETIQUETTE 1	4	4	

6CJ1100-K370

FIG. 39 REPAIR KIT 1

KITS DE REPARATION 1



REF. NO.	PART NO. N° PIECES	DESCRIPTION DESCRIPTION	6HVS	6HJ3	REMARKS REMARQUES
1	6FP-W0001-00	POWER HEAD GASKET KIT POCHETTE DE JINTS TETE MOTRICE	1	1	
2	90430-14115	.GASKET .JOINT	1	1	
3	93102-48017	.OIL SEAL .JOINT SPY	1	1	
4	93210-13M63	.O-RING .JOINT TORIQUE	2	2	
5	90430-06014	.GASKET .JOINT	1	1	
6	6FP-11181-00	.GASKET, CYLINDER HEAD 1 .JOINT, DE CULASSE 1	1	1	
7	6FP-11193-00	.GASKET, HEAD COVER 1 .JOINT, COUVERCLE DE CULASSE 1	1	1	
8	93210-19MJ1	.O-RING .JOINT TORIQUE	1	1	
9	6EK-11351-00	.GASKET, CYLINDER .JOINT, D'EMBASE	1	1	
10	93210-13M63	.O-RING .JOINT TORIQUE	1	1	
11	90201-186F1	.WASHER, PLATE .RONDELLE, PLATE	1	1	
12	6FP-15353-00	.GASKET, DRAIN .JOINT, PLOT DE VIDANGE	1	1	
13	93102-85008	.OIL SEAL .JOINT SPY	1	1	
14	6FP-13645-00	.GASKET, MANIFOLD 1 .JOINT, TUBULURE 1	1	1	
15	6FP-13646-00	.GASKET, MANIFOLD 2 .JOINT, TUBULURE 2	1	1	
16	69J-11355-00	.SEAL, CYLINDER 1 .JOINT, SPY CYLINDRE	1	1	
17	93210-19MJ1	.O-RING .JOINT TORIQUE	2	2	
18	6FP-13475-00	.GASKET .JOINT	1	1	
19	93210-24M79	.O-RING .JOINT TORIQUE	1	1	
20	93210-30682	.O-RING .JOINT TORIQUE	1	1	
21	90430-14115	.GASKET .JOINT	1	1	

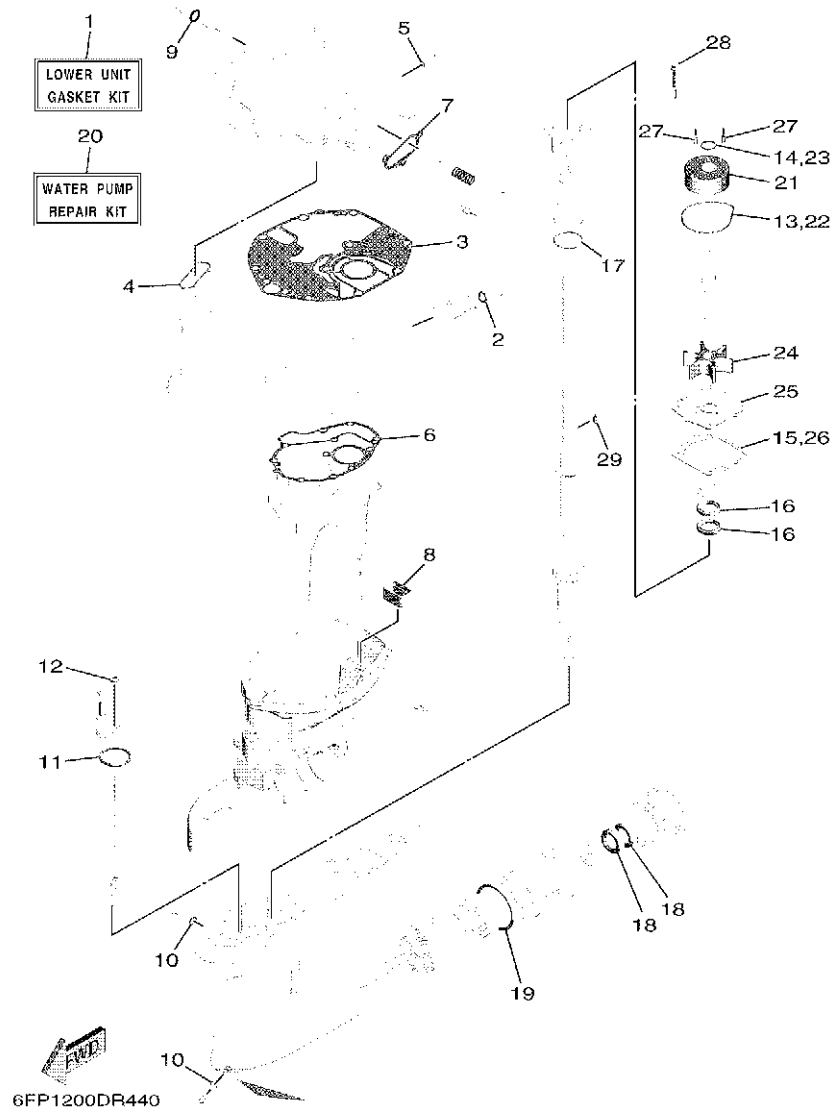


FIG. 40 REPAIR KIT 2

KITS DE REPARATION 2

REF. NO.	PART NO. N° PIECES	DESCRIPTION DESCRIPTION	6HVS	6HJ3	REMARKS REMARQUES
1	6EK-W0001-20	LOWER UNIT GASKET KIT POCHETTE DE JOINTS EMBASE	1	1	
2	90430-14M09	.GASKET .JOINT	1	1	
3	6EK-15312-00	.GASKET, OIL PAN .JOINT DE VENTILATEUR D'HUILE	1	1	
4	67F-13415-00	.SEAL, OIL STRAINER .JOINT, FILTRE A HUILE	1	1	
5	90430-08143	.GASKET .JOINT	1	1	
6	6EK-41134-00	.GASKET, EXHAUST MANIFOLD .JOINT, PIPE D'ECHAPPEMENT	1	1	
7	6EK-12435-A0	.GASKET .JOINT	1	1	
8	67F-45127-00	.SEAL .JOINT	1	1	
9	93210-13M63	.O-RING .JOINT TORIQUE	1	1	
10	90430-08003	.GASKET .JOINT	2	2	
11	93210-58144	.O-RING .JOINT TORIQUE	1	1	
12	93106-09014	.OIL SEAL .JOINT SPY	1	1	
13	93210-86M38	.O-RING .JOINT TORIQUE	1	1	
14	93210-37160	.O-RING .JOINT TORIQUE	1	1	
15	6E5-44315-A0	.GASKET, WATER PUMP .JOINT, POMPE A EAU	1	1	
16	93101-28M16	.OIL SEAL .JOINT SPY	2	2	
17	93210-55M14	.O-RING .JOINT TORIQUE	1	1	
18	93101-30M17	.OIL SEAL .JOINT SPY	2	2	
19	93210-86M39	.O-RING .JOINT TORIQUE	1	1	
20	68V-W0078-00	WATER PUMP REPAIR KIT KIT DE REPARATION DE LA POMPE	1	1	
21	61A-44322-02	.INSERT, CARTRIDGE .CUVETTE	1	1	
22	93210-86M38	.O-RING .JOINT TORIQUE	1	1	
23	93210-37160	.O-RING .JOINT TORIQUE	1	1	
24	6E5-44352-01	.IMPELLER .TURBINE	1	1	
25	6EK-44323-00	.OUTER PLATE, CARTRIDGE .PLAQUE EXTERIEURE	1	1	
26	6E5-44315-A0	.GASKET, WATER PUMP .JOINT, POMPE A EAU	1	1	
27	93606-12019	.PIN, DOWEL .GOUPILLE	2	2	

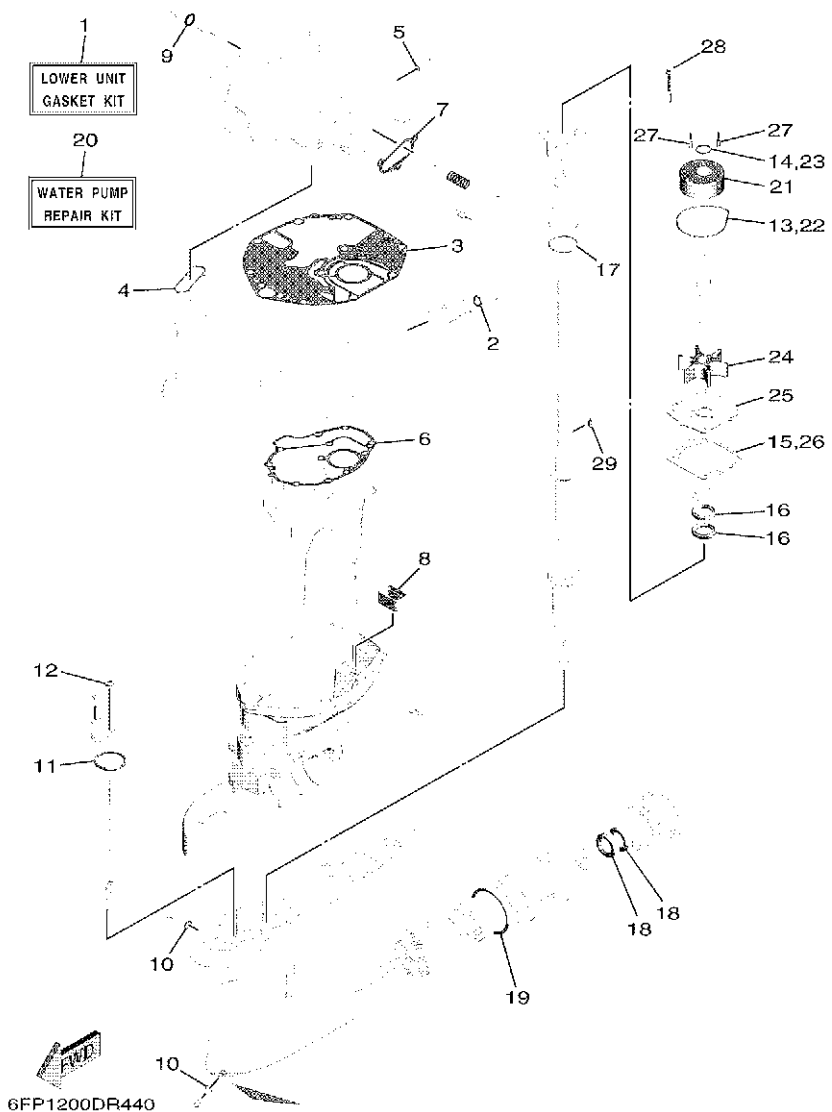


FIG. 40 REPAIR KIT 2

KITS DE REPARATION 2

REF. NO.	PART NO. N° PIECES	DESCRIPTION DESCRIPTION	6HVS	6HJ3	REMARKS REMARQUES
28	90119-08M14	.BOLT, WITH WASHER .BOULON, AVEC RONDELLE	4	4	
29	90280-04M05	.KEY, WOODRUFF .CLAVETTE, DEMI-LUNE	1	1	