

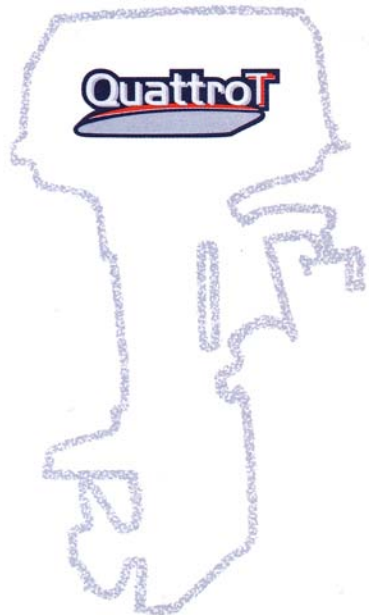
Swordfish 115

Production year 2016

Production année 2016

PARTS CATALOGUE

CATALOGUE DE PIÈCES DÉTACHÉES



ENGINE STARTING SERIAL NUMBER: S/L Î ÒSË€GÌ FH



A1

FOREWORD

This Parts Catalogue is related to the parts for the model(s) on the cover page. When you are ordering replacement parts, please refer to this Parts Catalogue and quote both part numbers and part names correctly.

1. Modifications or additions which have been made after the issue of the Parts Catalogue will be announced in the Parts News.
It is advisable that you make the necessary corrections to the Parts Catalogue according to the Parts News.

2. Abbreviations

The following abbreviations are used in this Parts Catalogue.

“UR” Use specified parts number.

“UN” Use as many as needed.

“AP” Alternate Parts

“LM” Locally Made (Parts need to be ordered locally)

“F#” Frame No. (Applicable machine No.)

“O/S” Over Size

3. The number of components for assembly

- Parts, which are to be supplied in an assembly, are listed with a dot (.) in front of the part name as shown below.
- The numeral appearing to the right of each component part indicates the quantity of parts for each assembly unit.

PART NO.	DESCRIPTION	Q'TY	REMARKS
2F5-83310-60	FRONT FLASHER LIGHT ASSY	2	
115-83311-60	.BULB (6V-18W)	1	

4. Applicable colours of graphics are represented in the “REMARKS” as shown below.

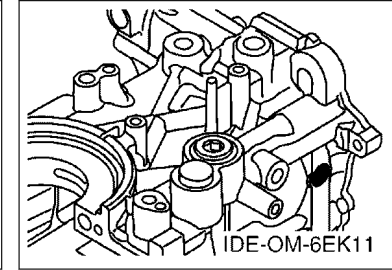
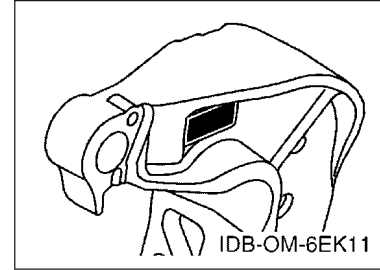
PART NO.	DESCRIPTION	Q'TY	REMARKS
2N4-24110-00-X5	FUEL TANK COMP.	2	MXR
3J1-24240-10	.GRAPHIC, FUEL TANK	1	FOR MXR

5. Note that the illustrations for reference in finding parts numbers are not to be used for assembling. When assembling, please use the applicable service manual.

6. The asterisk (*) before a reference number indicates modified items after the first edition.

7. Applicable Serial No.

Engine Serial No.



8. Applicable Engine Starting Serial No.

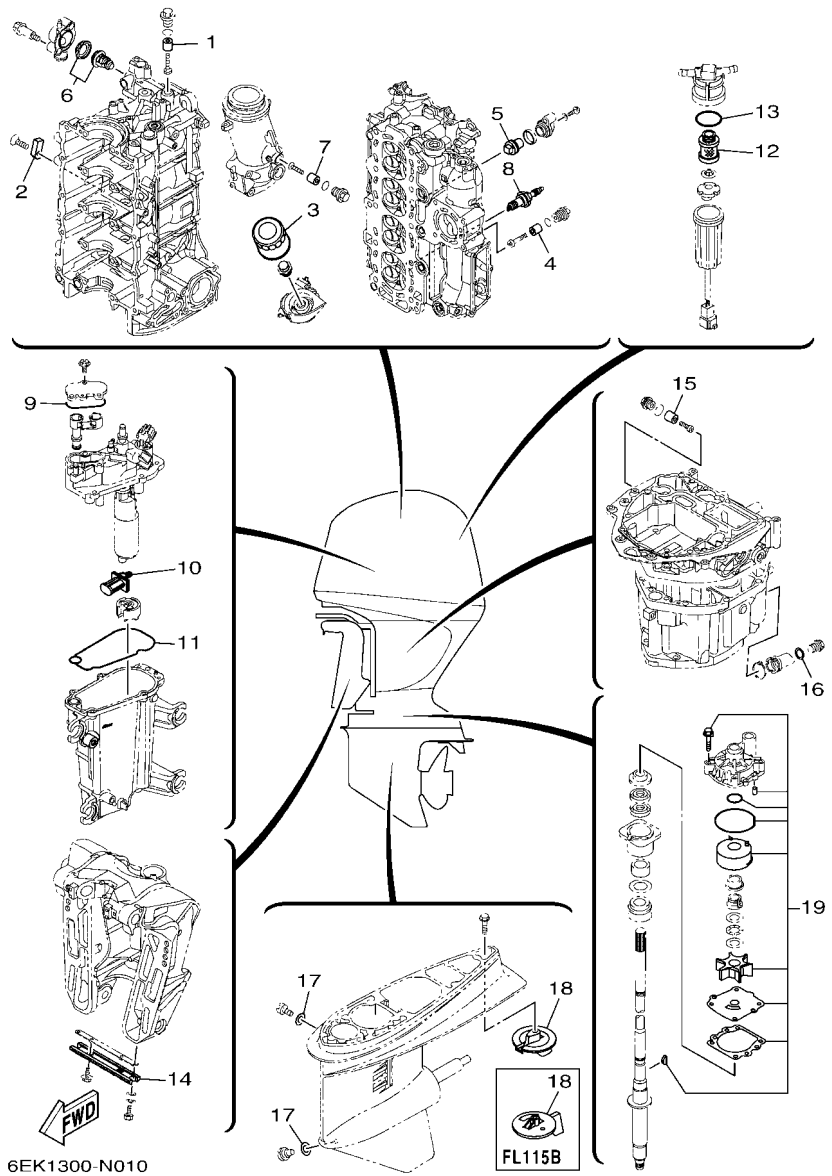
Model	Serial No.	Model	Serial No.
SWORDFISH 115	6EK-1028131		

9. Applicable Colour Code

Abbreviation	Colour Name	Colour Code
DBN1	DARK BLUISH GRAY 1	008D

10. Quantity Column Information

Column No.	Name Of Q'ty Column	Applicable Model
1	6EK3	SWORDFISH 115

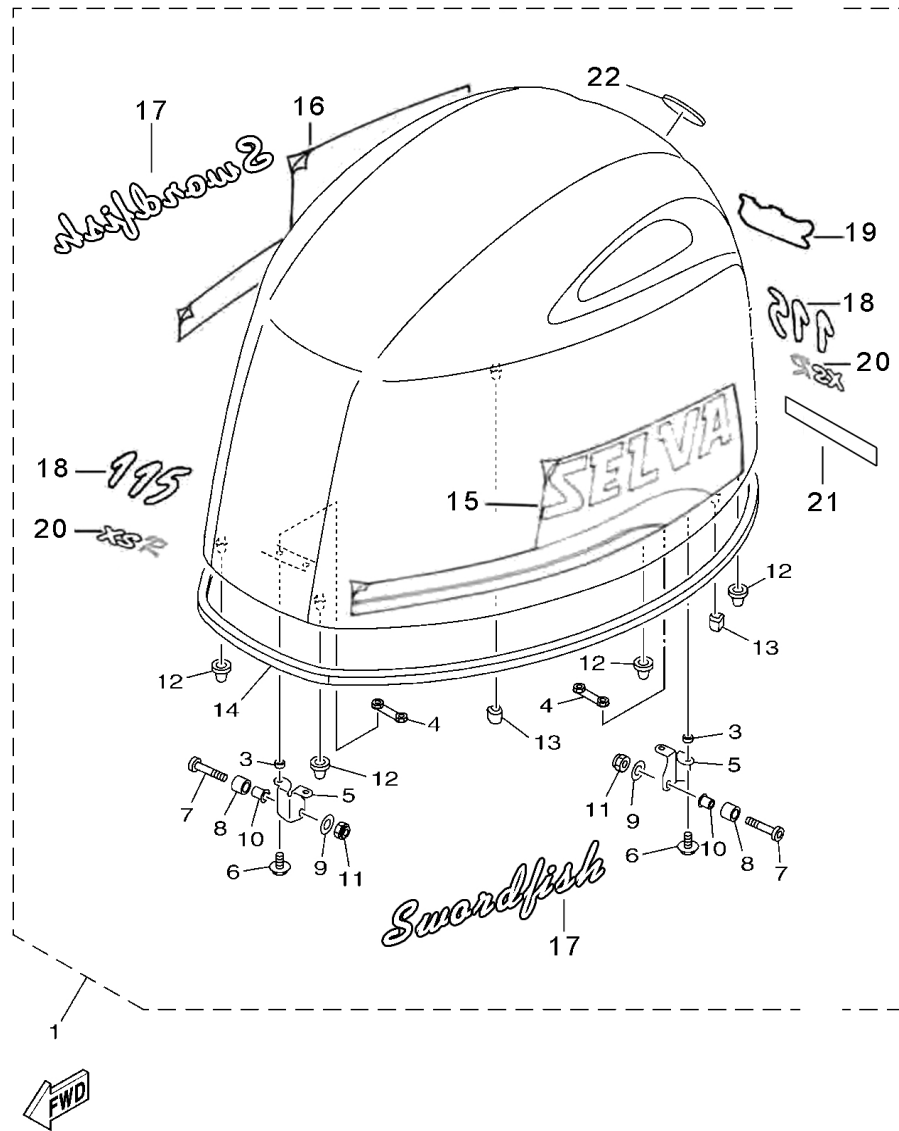


6EK1300-N010

FIG. 1 SCHEDULED SERVICE PARTS

PIECES MAINTENANCE PERIODIQUE

REF. NO.	PART NO. N° PIECES	DESCRIPTION DESCRIPTION	6EK3	6EL3	REMARKS REMARQUES
1	6G8-11325-00	ANODE	1	1	
2	63P-11325-01	ANODE	1	1	
3	5GH-13440-30	ELEMENT ASSY, OIL CLEANER ELEMENT, FILTRE A HUILE	1	1	
4	6G8-11325-00	ANODE	1	1	
5	67F-11325-01	ANODE	1	1	
6	6EK-12411-00	THERMOSTAT THERMOSTAT	1	1	
7	6EK-11325-00	ANODE	1	1	
8	94702-00437	PLUG, SPARK (NGK LKR6E) BOUGIE D, ALLUMAGE (NGK LKR6E)	4	4	
9	6CB-13016-00	O-RING	1	1	
10	63P-13915-00	JOINT TORIQUE FILTER FILTRE	1	1	
11	6CB-14984-00	GASKET, FLOAT CHAMBER JOINT, CUVE DE FLOTTEUR	1	1	
12	6D8-24563-00	ELEMENT, FILTER ELEMENT, FILTRE	1	1	
13	6D8-24564-00	GASKET JOINT	1	1	
14	6H1-45251-03	ANODE	1	1	
15	6G8-11325-00	ANODE	1	1	
16	90430-14M09	GASKET JOINT	1	1	
17	90430-08003	GASKET JOINT	2	2	
18	6E5-45371-01	TAB-TRIM ANODE DERIVE	1		
	6L6-45371-00	TAB-TRIM ANODE DERIVE		1	
19	68V-W0078-00	WATER PUMP REPAIR KIT KIT DE REPARATION DE LA POMPE	1	1	



6EK3100-Q020

FIG. 2 TOP COWLING

CAPOT SUPERIEUR

REF. NO.	PART NO. N° PIECES	DESCRIPTION DESCRIPTION	6EK3	6EL3	REMARKS REMARQUES
1	1504932	TOP COWLING ASSY CAPOT (ENS.)	1	1	
	1504928	TOP COWLING ASSY CAPOT (ENS.)	1	1	XSR
3	90387-07046	..COLLAR ..COLLERETTE	4	4	
4	6EK-42646-00	..PLATE, CLAMP ..PLAQUE, PRESSE	2	2	
5	6EK-42647-00	..HOLDER, CLAMP BAND ..SUPPORT, SANDOW DE SERRAGE	2	2	
6	90105-06039	..BOLT, FLANGE ..BOULON	4	4	
7	90111-08078	..BOLT, HEX. SOCKET BUTTON ..BOULON	2	2	
8	90387-10094	..COLLAR ..COLLERETTE	2	2	
9	92990-08600	..WASHER, PLATE ..RONDELLE, PLATE	2	2	
10	90387-08M45	..COLLAR ..COLLERETTE	2	2	
11	95780-08300	..NUT, FLANGE ..ECROU	2	2	
12	68F-42663-00	..DAMPER ..AMORTISSEUR	4	4	
13	6EK-42662-00	..DAMPER ..AMORTISSEUR	2	2	
14	6EK-42615-01	..SEAL ..JOINT	1	1	
15	8093504	..LEFT DECAL ..ADHESIF, GAUCHE	1	1	
	8093485	..LEFT DECAL ..ADHESIF, GAUCHE	1	1	XSR
16	8093506	..RIGHT DECAL ..ADHESIF, DROITE	1	1	
	8093490	..RIGHT DECAL ..ADHESIF, DROITE	1	1	XSR
17	8093480	..GRAPHIC, SWORDFISH ..ADHESIF, SWORDFISH	2	2	
18	8093215	..GRAPHIC, 115 ..ADHESIF, 115	2	2	
19	8093052	..GRAPHIC, 4T ..ADHESIF, 4T	1	1	
20	8093440	..GRAPHIC ..ADHESIF	2	2	XSR
21	8093165	..GRAPHIC, ELECTRONIC FUEL INJECTION ..ADHESIF, ELECTRONIC FUEL INJECTION	1	1	
22	8093470	..MARK, SELVA MARINE ..ADHESIF, SELVA MARINE	1	1	
	1534610	..GRAPHIC, SET ..JEU D'EMBLEMES	1	1	
	1534605	..GRAPHIC, SET ..JEU D'EMBLEMES	1	1	XSR

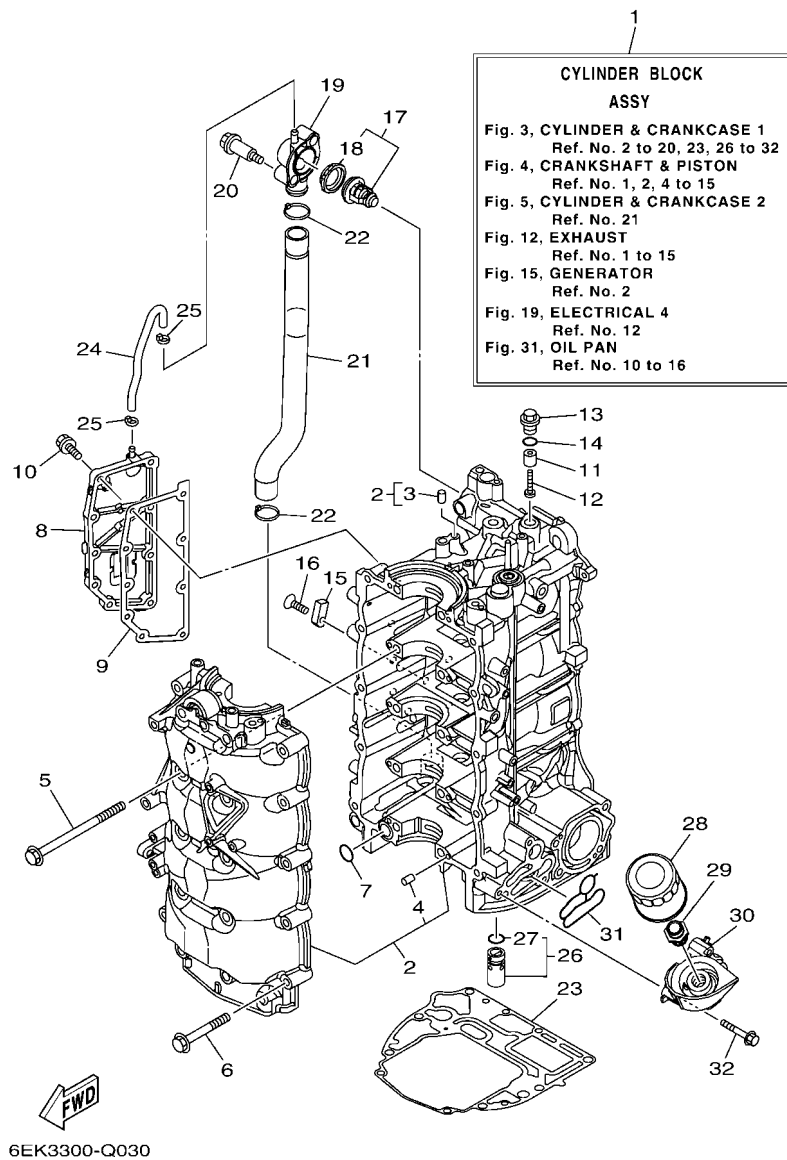
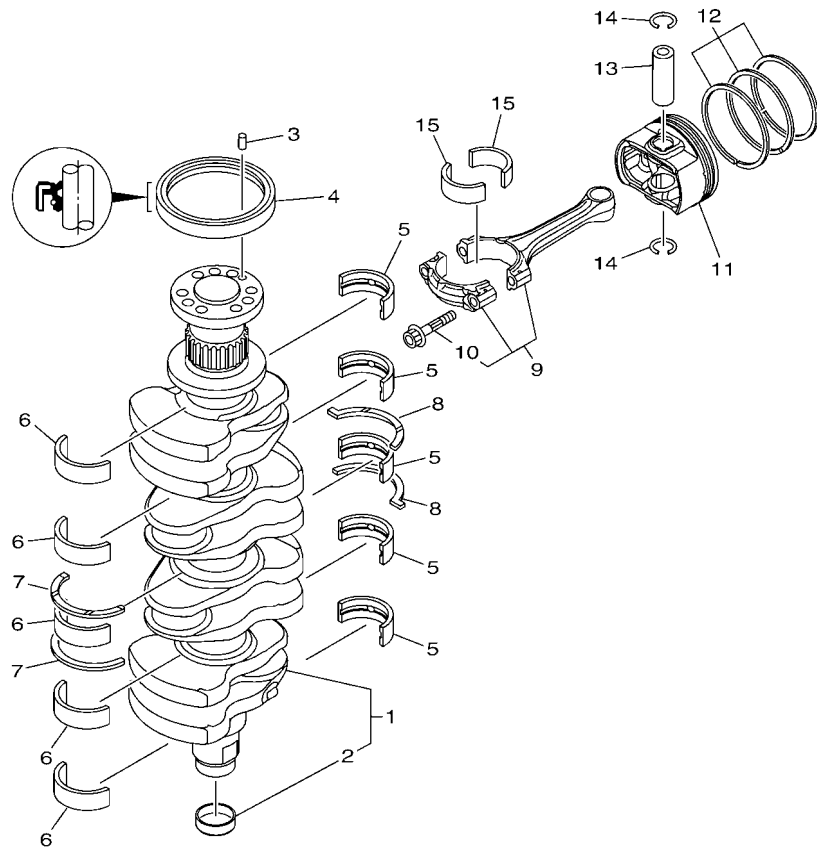


FIG. 3 CYLINDER & CRANKCASE 1

CYLINDRE & CARTER 1

REF. NO.	PART NO. N° PIECES	DESCRIPTION DESCRIPTION	6EK3	6EL3	REMARKS REMARQUES
1	6EK-W009B-02-9S	CYLINDER BLOCK ASSY CYLINDRE GROUPE (ENS.)	1	1	
2	6EK-15109-01-9S	CRANKCASE ASSY CARTER DE MOTEUR COMPLET	1	1	
3	93606-19M23	.PIN, DOWEL .GOUPILLE	1	1	
4	93606-12019	.PIN, DOWEL .GOUPILLE	10	10	
5	90119-10057	BOLT, WITH WASHER BOULON, AVEC RONDELLE	10	10	
6	90105-08170	BOLT, FLANGE BOULON	10	10	
7	93210-19MJ1	O-RING JOINT TORIQUE	1	1	
8	6EK-15414-00-9S	COVER, AIR CLEANER COUVERCLE, FILTRE A AIR	1	1	
9	6EK-15353-00	GASKET, DRAIN JOINT, PLOT DE VIDANGE	1	1	
10	90105-06037	BOLT, FLANGE BOULON	9	9	
11	6G8-11325-00	ANODE ANODE	1	1	
12	98980-05025	SCREW, BIND VIS, DE PRESSION	1	1	
13	6G8-11197-A0	PLUG, BLIND PLOT, BORGNE	1	1	
14	93210-13M63	O-RING JOINT TORIQUE	1	1	
15	63P-11325-01	ANODE ANODE	1	1	
16	90151-06M02	SCREW, COUNTERSUNK VIS, TETE NOYEE	1	1	
17	6EK-12411-00	THERMOSTAT THERMOSTAT	1	1	
18	6EK-12412-00	.SEAL, THERMOSTAT .JOINT, THERMOSTAT	1	1	
19	6EK-12413-00	COVER, THERMOSTAT COUVERCLE, THERMOSTAT	1	1	
20	90109-06286	BOLT BOULON	2	2	
21	6EK-1243A-00	HOSE 1 DURITE 1	1	1	
22	90465-11M59	CLAMP BRIDE	2	2	
23	6EK-11351-00	GASKET, CYLINDER JOINT, D'EMBASE	1	1	
24	6EK-12483-00	PIPE 3 DURITE 3	1	1	
25	90465-11M10	CLAMP BRIDE	2	2	
26	6EK-13490-00	RELIEF VALVE ASSY SOUPAPE DE SECURITE COMPLET	1	1	
27	6CB-13473-00	.O-RING .JOINT TORIQUE	1	1	



6EM1100-P040

FIG. 4 CRANKSHAFT & PISTON

VILEBREQUIN & PISTON

REF. NO.	PART NO. N° PIECES	DESCRIPTION DESCRIPTION	6EK3	6EL3		REMARKS REMARQUES
1	6EK-11410-00	CRANKSHAFT VILEBREQUIN COMPLET	1	1		
2	6CB-11478-00	.COLLAR .COLLERETTE	1	1		
3	93606-12019	PIN, DOWEL GOUPILLE	1	1		
4	93102-85008	OIL SEAL JOINT SPY	1	1		
5	6EK-11416-00	PLANE BEARING, CRANKSHAFT 1 COUSSINET DE VILEBREQUIN 1	5	5		UR YELLOW UR YELLOW
6	6EK-11416-10	PLANE BEARING, CRANKSHAFT 1 COUSSINET DE VILEBREQUIN 1	5	5		UR GREEN UR GREEN
6	6EK-11416-20	PLANE BEARING, CRANKSHAFT 1 COUSSINET DE VILEBREQUIN 1	5	5		UR BLUE UR BLUE
6	6EK-11416-30	PLANE BEARING, CRANKSHAFT 1 COUSSINET DE VILEBREQUIN 1	5	5		UR RED UR RED
6	6EK-11416-40	PLANE BEARING, CRANKSHAFT 1 COUSSINET DE VILEBREQUIN 1	5	5		UR BLACK UR BLACK
6	6EK-11417-00	PLANE BEARING, CRANKSHAFT 2 COUSSINET DE VILEBREQUIN 2	5	5		UR YELLOW UR YELLOW
6	6EK-11417-10	PLANE BEARING, CRANKSHAFT 2 COUSSINET DE VILEBREQUIN 2	5	5		UR GREEN UR GREEN
6	6EK-11417-20	PLANE BEARING, CRANKSHAFT 2 COUSSINET DE VILEBREQUIN 2	5	5		UR BLUE UR BLUE
6	6EK-11417-30	PLANE BEARING, CRANKSHAFT 2 COUSSINET DE VILEBREQUIN 2	5	5		UR RED UR RED
6	6EK-11417-40	PLANE BEARING, CRANKSHAFT 2 COUSSINET DE VILEBREQUIN 2	5	5		UR BLACK UR BLACK
7	6EK-11426-01	BEARING, THRUST 1 ROULEMENT DE BUTEE 1	2	2		
8	6EK-11427-00	BEARING, THRUST 2 ROULEMENT DE BUTEE 2	2	2		
9	6EK-W1165-00	CONNECTING ROD ASSY BIELLE COMPLETE	4	4		
10	K1C-A3275-00	.BOLT, CONNECTING ROD .BOULON, BIELLE	2	2		
11	6EK-11631-00-93	PISTON (STD) PISTON (STD)	4	4		
	6EK-11635-00	PISTON (0.25MM O/S) PISTON (0.25MM O/S)	4	4		AP AP
12	6EK-11603-00	PISTON RING SET (STD) JEU DE SEGMENTS (STD)	4	4		
	6EK-11604-00	PISTON RING SET (0.25MM O/S) JEU DE SEGMENTS (0.25MM O/S)	4	4		AP AP
13	6EK-11633-00	PIN, PISTON AXE, PISTON	4	4		
14	93450-19052	CIRCLIP CIRCLIP, TYPE S	8	8		
15	6EK-11656-00	PLANE BEARING, CONNECTING ROD ROULEMENT DE BIELLE	8	8		UR YELLOW UR YELLOW
	6EK-11656-10	PLANE BEARING, CONNECTING ROD ROULEMENT DE BIELLE	8	8		UR GREEN UR GREEN
	6EK-11656-20	PLANE BEARING, CONNECTING ROD ROULEMENT DE BIELLE	8	8		UR BLUE UR BLUE

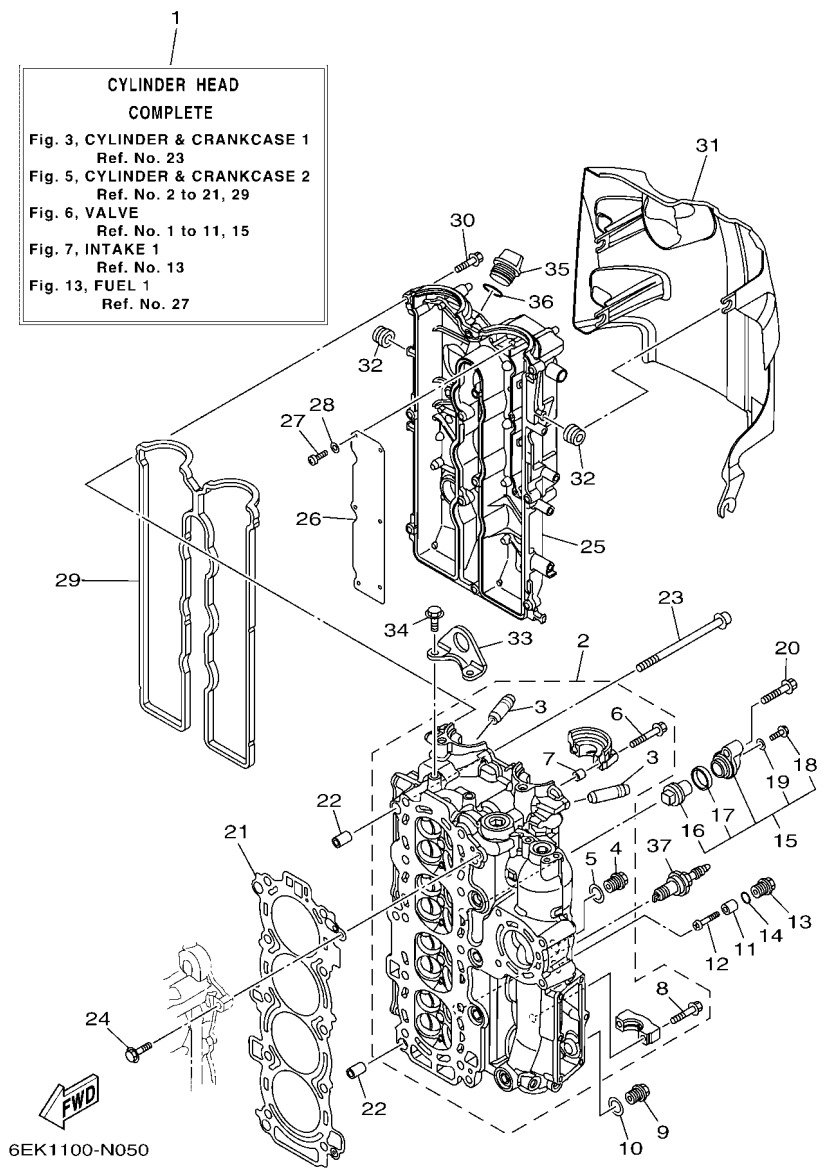


FIG. 5 CYLINDER & CRANKCASE 2

CYLINDRE & CARTER 2

REF. NO.	PART NO. N° PIECES	DESCRIPTION DESCRIPTION	6EK3	6EL3	REMARKS REMARQUES
1	6EK-W009A-00-9S	CYLINDER HEAD COMPLETE CULASSE (ENS.)	1	1	
2	6EK-11110-00-9S	CYLINDER HEAD ASSY JEU DE CULASSE	1	1	
3	6DA-11133-10	.GUIDE, VALVE 1 .GUIDE, SOUPAPE 1	16	16	
4	90340-18M09	.PLUG, STRAIGHT SCREW .PLOT, FILETE DROIT	1	1	
5	90201-186F1	.WASHER, PLATE .RONDELLE, PLATE	1	1	
6	90119-07235	.BOLT/WASHER-CAM CAPS .BOULON, AVEC RONDELLE	4	4	
7	91809-08006	.PIN, DOWEL .GOUJON, D'ASSEMBLAGE	4	4	
8	90119-07234	.BOLT, WITH WASHER .BOULON, AVEC RONDELLE	16	16	
9	90340-14M06	PLUG, STRAIGHT SCREW PLOT, FILETE DROIT	1	1	
10	90430-14115	GASKET JOINT	1	1	
11	6G8-11325-00	ANODE ANODE	1	1	
12	98980-05025	SCREW, BIND VIS, DE PRESSION	1	1	
13	6G8-11197-A0	PLUG, BLIND PLOT, BORGNE	1	1	
14	93210-13M63	O-RING JOINT TORIQUE	1	1	
15	69J-11301-00	ANODE COVER ASSY COUVERCLE ANODE (ENS.)	1	1	
16	67F-11325-01	.ANODE .ANODE	1	1	
17	67F-11328-00	.GROMMET, ANODE .PASSE-FIL	1	1	
18	90105-06M07	.BOLT, FLANGE .BOULON	1	1	
19	90430-06M03	.GASKET .JOINT	1	1	
20	95875-08040	BOLT, FLANGE BOULON, A COLLERETTE	1	1	
21	6EK-11181-00	GASKET, CYLINDER HEAD 1 JOINT, DE CULASSE 1	1	1	
22	99530-14016	PIN, DOWEL GOUJON, D'ASSEMBLAGE	2	2	
23	90155-10008	SCREW, FLAT FILLISTER VIS, TETE OVALE PLATE	10	10	
24	90105-06037	BOLT, FLANGE BOULON	1	1	
25	6EK-11191-00	COVER, CYLINDER HEAD 1 COUVERCLE, CULASSE 1	1	1	
26	6EK-11168-00	COVER, BREATHER COUVERCLE, RENIFLARD	1	1	
27	98507-04008	SCREW, PAN HEAD VIS, TETE TRONCONIQUE	6	6	

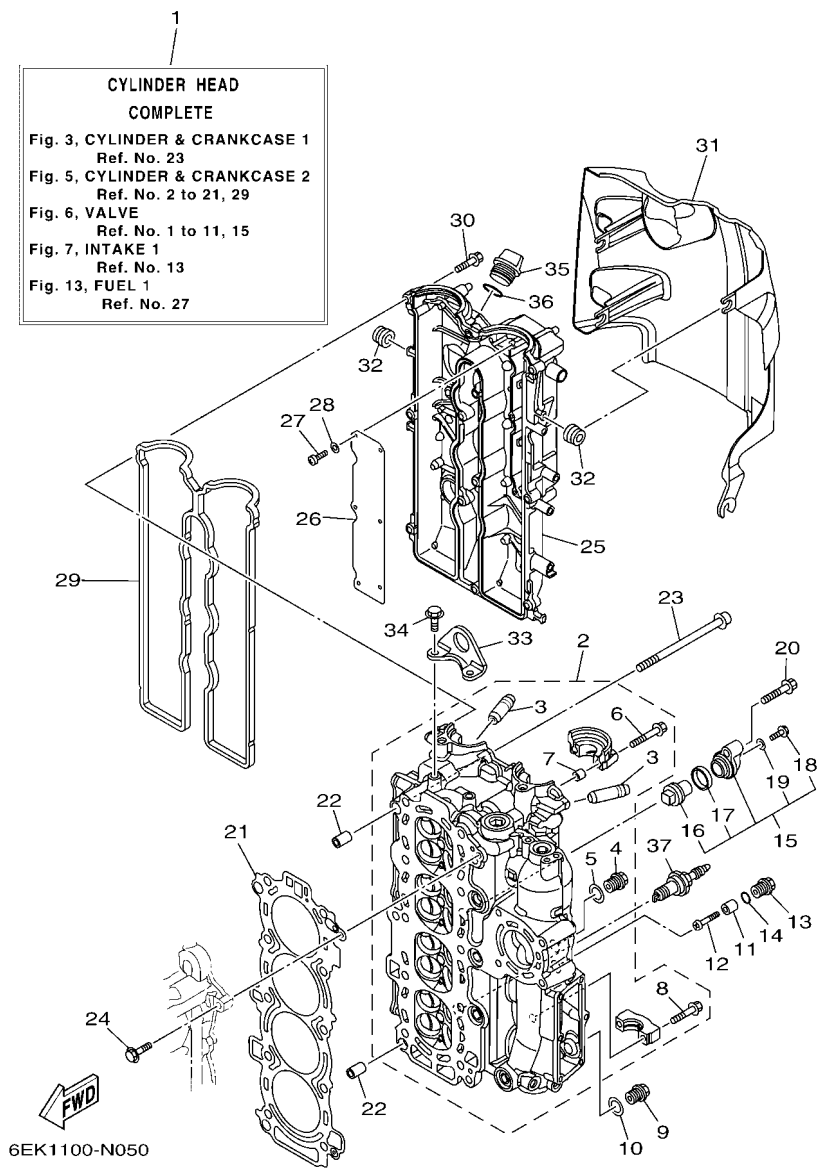
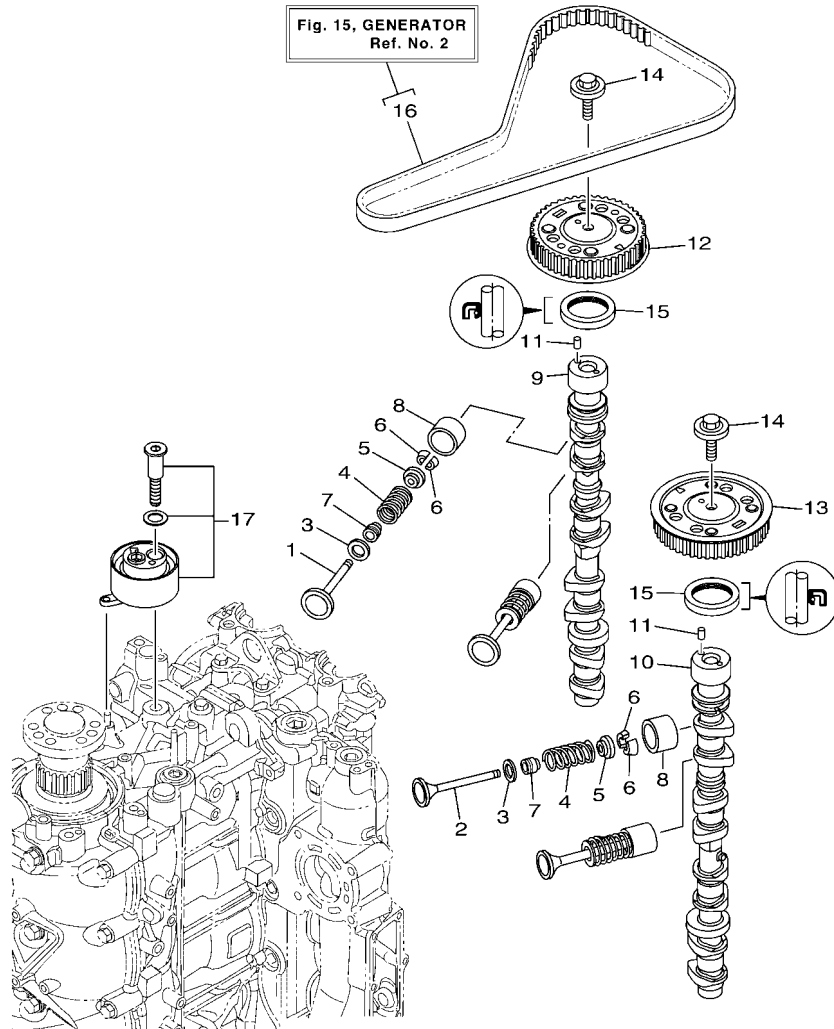


FIG. 5 CYLINDER & CRANKCASE 2

CYLINDRE & CARTER 2

REF. NO.	PART NO. N° PIECES	DESCRIPTION DESCRIPTION	6EK3	6EL3	REMARKS REMARQUES
28	92907-04600	WASHER RONDELLE	6	6	
29	6EK-11193-00	GASKET, HEAD COVER 1 JOINT, COUVERCLE DE CULASSE 1	1	1	
30	95895-06030	BOLT, FLANGE BOULON	12	12	
31	6EK-11192-00	COVER, CYLINDER HEAD 2 COUVERCLE, CULASSE 2	1	1	
32	90480-12314	GROMMET PASSE-FIL	4	4	
33	6EK-11119-00	HANGER, ENGINE ANNEAU, LEVAGE	1	1	
34	95895-08020	BOLT, FLANGE BOULON	2	2	
35	6G8-15363-00	PLUG, OIL PLOT, HUILE	1	1	
36	93210-24M79	O-RING JOINT TORIQUE	1	1	
37	94702-00437	PLUG, SPARK (NGK LKR6E) BOUGIE D,ALLUMAGE (NGK LKR6E)	4	4	

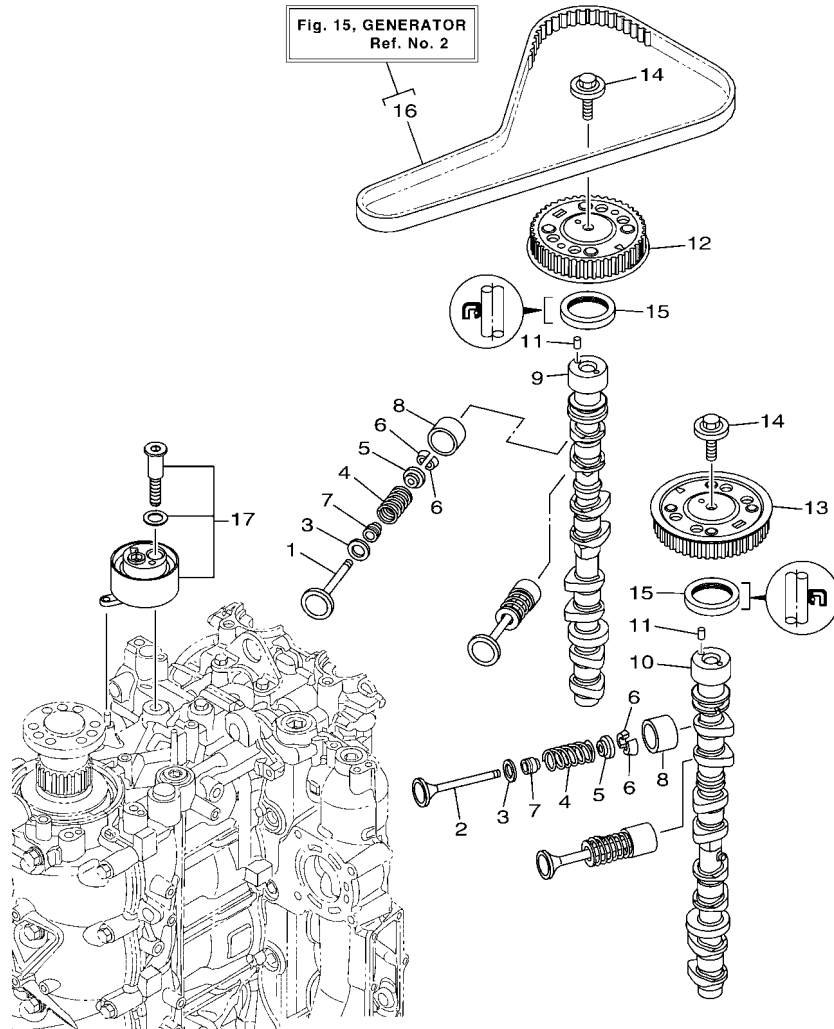


6EM1100-P060

FIG. 6 VALVE

SOUPAPE

REF. NO.	PART NO. N° PIECES	DESCRIPTION DESCRIPTION	6EK3	6EL3	REMARKS REMARQUES
1	6EK-12111-00	VALVE, INTAKE SOUPAPE, ADMISSION	8	8	
2	6EK-12121-00	VALVE, EXHAUST SOUPAPE, ECHAPPEMENT	8	8	
3	62Y-12116-00	SEAT, VALVE SPRING SIEGE, RESSORT DE SOUPAPE	16	16	
4	30X-12114-00	SPRING, VALVE OUTER RESSORT DE SOUPAPE, EXTERNE	16	16	
5	30X-12117-00	RETAINER, VALVE SPRING BUTEE DE RESSORT DE SOUPAPE	16	16	
6	30X-12118-00	LOCK, VALVE SPRING RETAINER FRAISE, SOUPAPE	32	32	
7	51Y-12119-00	SEAL, VALVE STEM JOINT, QUEUE DE SOUPAPE	16	16	
8	6D8-12153-00	LIFTER, VALVE (12) LEVE-SOUPAPE (12)	16	16	UR
	6D8-12153-10	LIFTER, VALVE (14) LEVE-SOUPAPE (14)	16	16	UR
	6D8-12153-20	LIFTER, VALVE (16) LEVE-SOUPAPE (16)	16	16	UR
	6D8-12153-30	LIFTER, VALVE (18) LEVE-SOUPAPE (18)	16	16	UR
	6D8-12153-40	LIFTER, VALVE (20) LEVE-SOUPAPE (20)	16	16	UR
	6D8-12153-50	LIFTER, VALVE (22) LEVE-SOUPAPE (22)	16	16	UR
	6D8-12153-60	LIFTER, VALVE (24) LEVE-SOUPAPE (24)	16	16	UR
	6D8-12153-70	LIFTER, VALVE (26) LEVE-SOUPAPE (26)	16	16	UR
	6D8-12153-80	LIFTER, VALVE (28) LEVE-SOUPAPE (28)	16	16	UR
	6D8-12153-90	LIFTER, VALVE (30) LEVE-SOUPAPE (30)	16	16	UR
	6D8-12153-A0	LIFTER, VALVE (32) LEVE-SOUPAPE (32)	16	16	UR
	6D8-12153-B0	LIFTER, VALVE (34) LEVE-SOUPAPE (34)	16	16	UR
	6D8-12153-C0	LIFTER, VALVE (36) LEVE-SOUPAPE (36)	16	16	UR
	6D8-12153-D0	LIFTER, VALVE (38) LEVE-SOUPAPE (38)	16	16	UR
	6D8-12153-E0	LIFTER, VALVE (40) LEVE-SOUPAPE (40)	16	16	UR
	6D8-12153-F0	LIFTER, VALVE (42) LEVE-SOUPAPE (42)	16	16	UR
	6D8-12153-G0	LIFTER, VALVE (44) LEVE-SOUPAPE (44)	16	16	UR
	6D8-12153-H0	LIFTER, VALVE (46) LEVE-SOUPAPE (46)	16	16	UR
	6D8-12153-J0	LIFTER, VALVE (48) LEVE-SOUPAPE (48)	16	16	UR
	6D8-12153-K0	LIFTER, VALVE (50) LEVE-SOUPAPE (50)	16	16	UR



6EM1100-P060

FIG. 6 VALVE

SOUPAPE

REF. NO.	PART NO. N° PIECES	DESCRIPTION DESCRIPTION	6EK3	6EL3	REMARKS REMARQUES
8	6D8-12153-L0	LIFTER, VALVE (52) LEVE-SOUPAPE (52)	16	16	UR
	6D8-12153-M0	LIFTER, VALVE (54) LEVE-SOUPAPE (54)	16	16	UR
	6D8-12153-N0	LIFTER, VALVE (56) LEVE-SOUPAPE (56)	16	16	UR
	6D8-12153-P0	LIFTER, VALVE (58) LEVE-SOUPAPE (58)	16	16	UR
	6D8-12153-R0	LIFTER, VALVE (60) LEVE-SOUPAPE (60)	16	16	UR
	6D8-12153-S0	LIFTER, VALVE (62) LEVE-SOUPAPE (62)	16	16	UR
	6D8-12153-T0	LIFTER, VALVE (64) LEVE-SOUPAPE (64)	16	16	UR
	6D8-12153-U0	LIFTER, VALVE (66) LEVE-SOUPAPE (66)	16	16	UR
	6D8-12153-V0	LIFTER, VALVE (68) LEVE-SOUPAPE (68)	16	16	UR
9	6EK-12171-00	CAMSHAFT 1 ARBRE A CAMES 1	1	1	
10	6EK-12181-00	CAMSHAFT 2 ARBRE A CAMES 2	1	1	
11	93605-10108	PIN, DOWEL AXE	2	2	
12	6EK-11537-00	GEAR, DRIVEN PIGNON SECONDAIRE	1	1	
13	6EK-11567-00	GEAR, DRIVEN 2 PIGNON SECONDAIRE 2	1	1	
14	90119-10050	BOLT, WITH WASHER BOULON, AVEC RONDELLE	2	2	
15	93102-38008	OIL SEAL JOINT SPY	2	2	
16	6EK-W4624-00	BELT (WITH ROTOR BOLTS) COURROIE (AVEC BOULON)	1	1	
17	6EK-11590-00	TENSIONER ASSY TENDEUR (ENS.)	1	1	

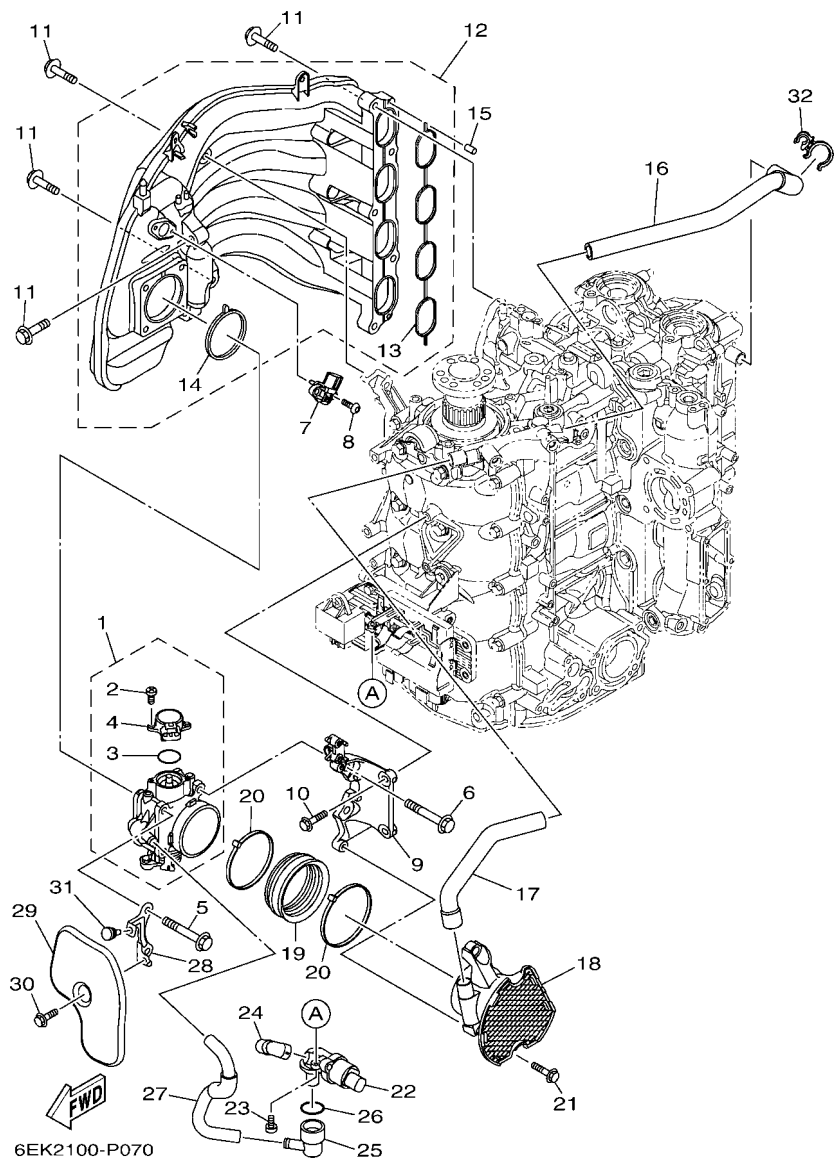


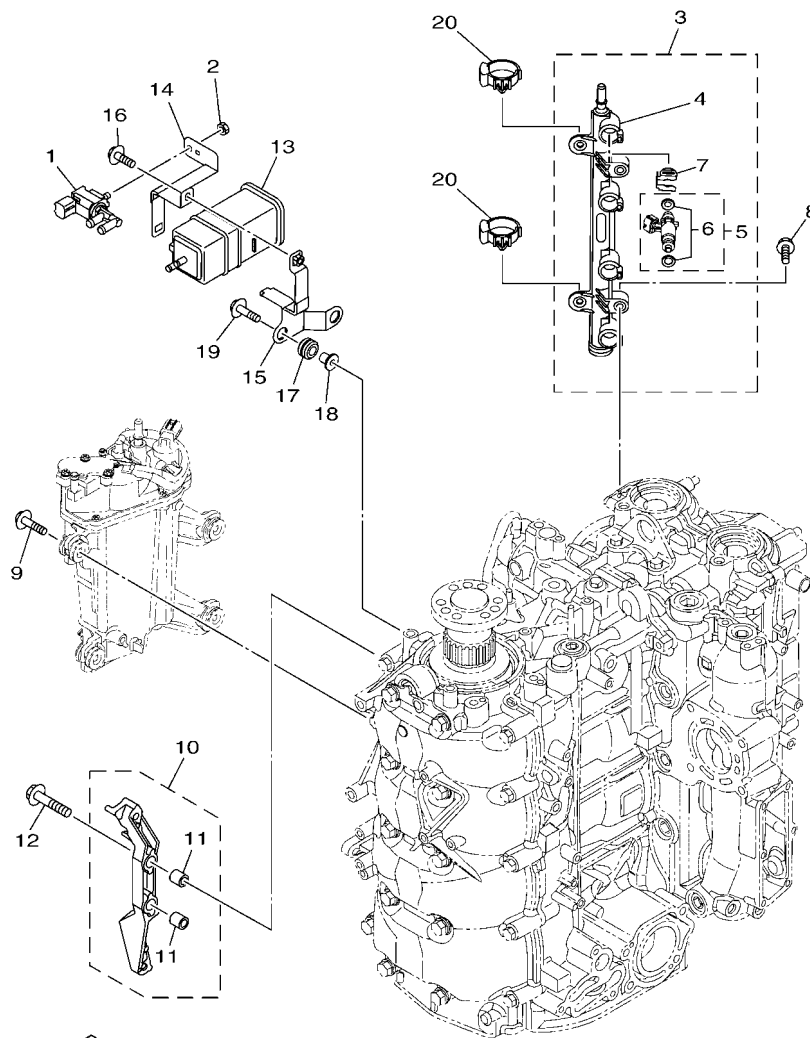
FIG. 7 INTAKE 1

ADMISSION 1

REF. NO.	PART NO. N° PIECES	DESCRIPTION DESCRIPTION	6EK3	6EL3	REMARKS REMARQUES
1	6EK-13751-00	BODY, THROTTLE 1 CARTER 1	1	1	
2	6C5-81145-00	.SCREW 1 .VIS 1	2	2	
3	6C5-8182L-00	.O-RING 1 .JOINT TORIQUE 1	1	1	
4	6C5-85885-00	.THROTTLE SENSOR ASSY .SENSITOMETRE (ENS.)	1	1	
5	95875-08060	BOLT, FLANGE BOULON, A COLLERETTE	2	2	
6	90105-08186	BOLT, FLANGE BOULON	2	2	
7	68F-83688-10	SENSOR ASSY SONDE (ENS.)	1	1	
8	90111-05037	BOLT, HEX. SOCKET BUTTON BOULON	2	2	
9	6EK-13152-02	STAY 2 SUPPORT2	1	1	
10	95875-06025	BOLT, FLANGE BOULON, A COLLERETTE	2	2	
11	90119-08022	BOLT, WITH WASHER BOULON, AVEC RONDELLE	9	9	
12	6EK-13641-00	MANIFOLD, INTAKE 1 TUBULURE, ADMISSION 1	1	1	
13	6EK-13645-00	.GASKET, MANIFOLD 1 .JOINT, TUBULURE 1	1	1	
14	6EK-13646-00	.GASKET, MANIFOLD 2 .JOINT, TUBULURE 2	1	1	
15	91690-50014	PIN, SPRING AGRAFFE	2	2	
16	6EK-15373-00	PIPE, BREATHER DURITE DE RENIFLARD	1	1	
17	6EK-15393-00	PIPE, BREATHER 2 DURITE, RENIFLARD 2	1	1	
18	6DA-14440-00	SILENCER ASSY, INTAKE SIENCIEUX D'ADMISSION	1	1	
19	6P2-1441J-00	PIPE, SILENCER DURITE, DE SIENCIEUX	1	1	
20	90464-99004	CLAMP BRIDE	2	2	
21	95875-06025	BOLT, FLANGE BOULON, A COLLERETTE	2	2	
22	6C5-13713-00	VALVE, IDLE SPEED CONTROL SOUPAPE, AJUSTEMENT DE VITESSE	1	1	
23	97980-05214	SCREW, WITH WASHER VIS, AVEC RONDELLE	2	2	
24	68V-13897-00	PIPE, AIR DURITE, A AIR	1	1	
25	6CJ-11372-00	NIPPLE, HOSE RACCORD, TUYAU	1	1	
26	93210-33003	O-RING JOINT TORIQUE	1	1	
27	6EK-13543-00	HOSE, AIR DURITE, A AIR	1	1	

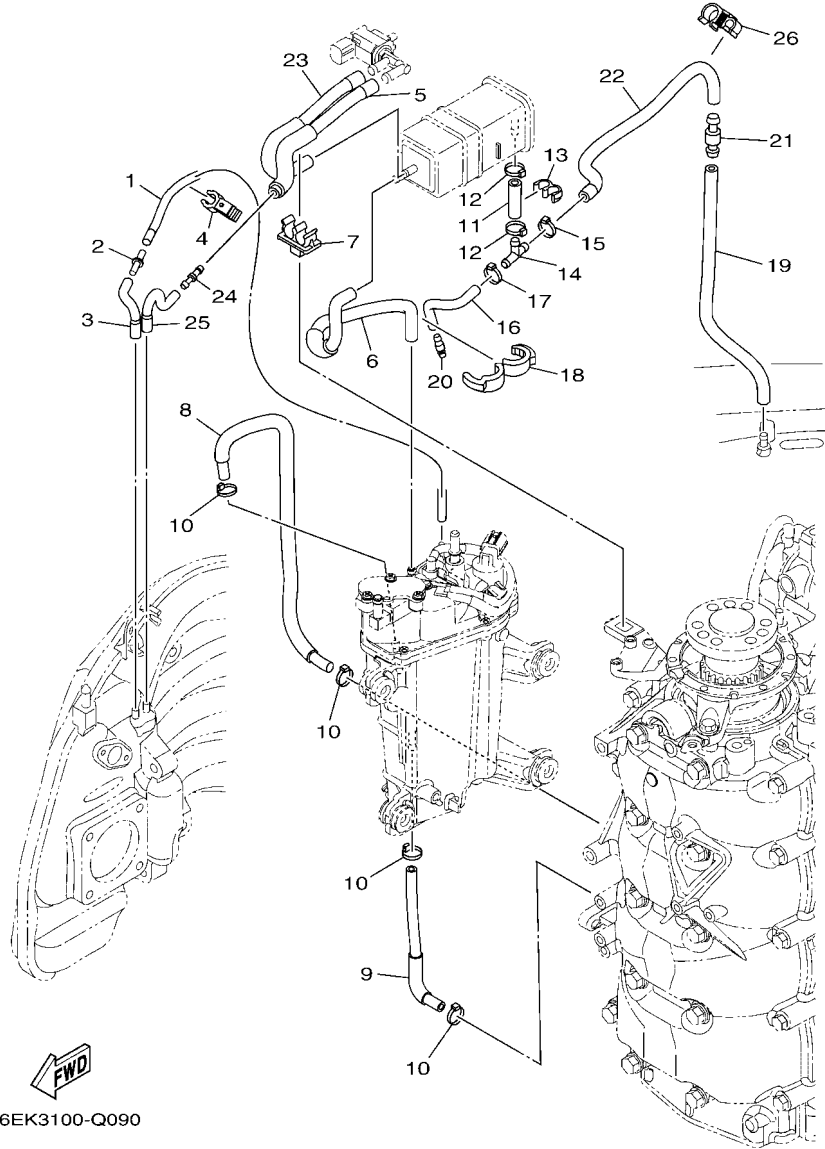
FIG. 8 INTAKE 2

ADMISSION 2



6EK1100-N080

REF. NO.	PART NO. N° PIECES	DESCRIPTION DESCRIPTION	6EK3	6EL3	REMARKS REMARQUES
1	6C5-86120-00	SOLENOID VALVE ASSY SOLENOIDE	1	1	
2	95380-06600	NUT, HEXAGON ECROU	1	1	
3	6EK-13160-00	DELIVERY PIPE ASSY 1 ENS. TUBE DE REFOULEMENT 1	1	1	
4	6EK-13161-00	.PIPE, DELIVERY 1 .DURITE REFOULEMENT 1	1	1	
5	6EK-13761-00	.INJECTOR .INJECTEUR	4	4	
6	6AW-1410B-00	..PACKING KIT ..POCHETTE DE JOINTS	1	1	
7	6AW-13577-10	.CLIP .AGRAFE	4	4	
8	90105-06M08	BOLT, FLANGE BOULON	2	2	
9	90119-06M24	BOLT, WITH WASHER BOULON, AVEC RONDELLE	4	4	
10	6EK-14291-00	BRACKET 1 SUPPORT 1	1	1	
11	99590-10114	.PIN, DOWEL .GOIJON, D'ASSEMBLAGE	2	2	
12	90105-08M87	BOLT, FLANGE BOULON	2	2	
13	6P2-24170-00	CANISTER ASSY BANDE, RASERVOIR A ESSENCE	1	1	
14	6EK-2419A-00	HOLDER SUPPORT	1	1	
15	6EK-2134X-00	BRACKET, CANISTER SUPPORT	1	1	
16	95895-06014	BOLT, FLANGE BOULON	1	1	
17	90480-10M23	GROMMET PASSE-FIL	2	2	
18	90387-06289	COLLAR COLLERETTE	2	2	
19	90119-06M17	BOLT, WITH WASHER BOULON, AVEC RONDELLE	2	2	
20	90464-07209	CLAMP BRIDE	2	2	



6EK3100-Q090

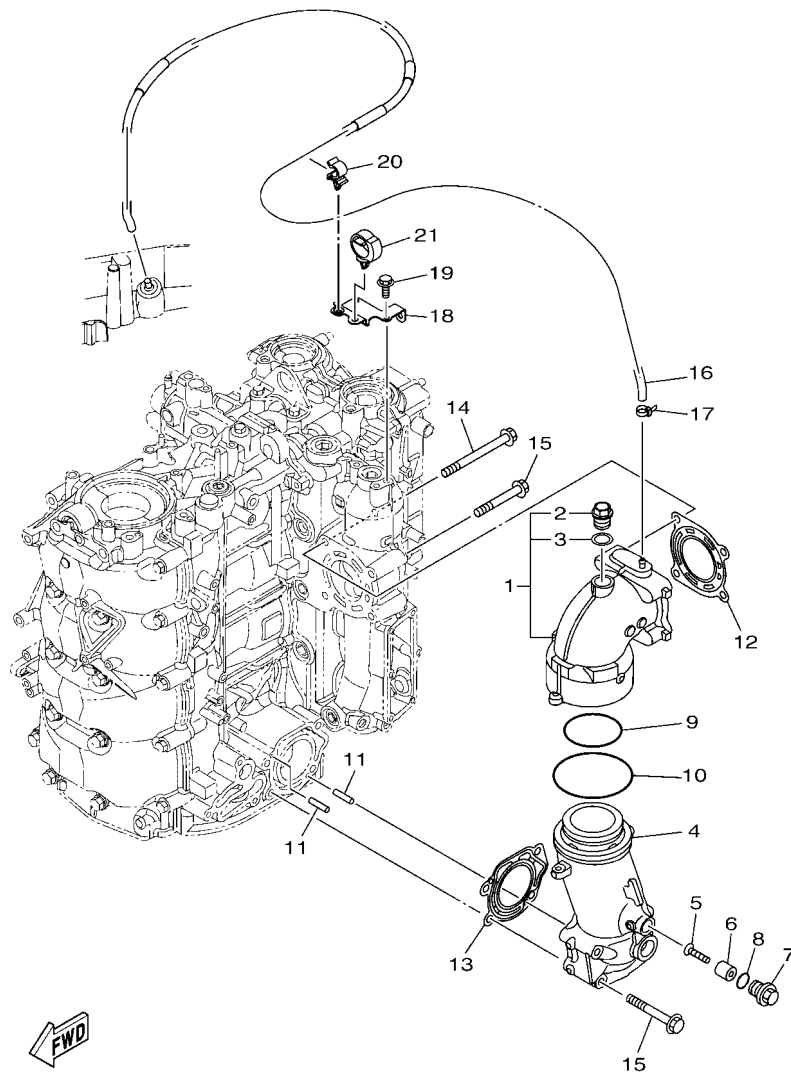
FIG. 9 INTAKE 3

ADMISSION 3

REF. NO.	PART NO. N° PIECES	DESCRIPTION DESCRIPTION	6EK3	6EL3	REMARKS REMARQUES
1	6EK-13532-00	HOSE, VACUUM SENSING 3 DURITE 3	1	1	
2	5PS-14568-00	JOINT JOINT	1	1	
3	6EK-1475G-00	PIPE 4 DURITE 4	1	1	
4	90464-12006	CLAMP BRIDE	1	1	
5	6EK-2416A-01	HOSE DURITE	1	1	
6	6EK-1475A-00	PIPE 1 DURITE 1	1	1	
7	90464-11012	CLAMP BRIDE	1	1	
8	6EK-12576-00	HOSE 1 TUYAU 1	1	1	
9	6EK-12577-00	HOSE 2 TUYAU 2	1	1	
10	90465-11M10	CLAMP BRIDE	4	4	
11	6AW-13545-10	HOSE 1 DURITE 1	1	1	
12	90465-11M10	CLAMP BRIDE	2	2	
13	90464-10M57	CLAMP BRIDE	1	1	
14	688-24378-00	PIPE, JOINT 3 DURITE RACCORDEMENT 3	1	1	
15	90465-11M10	CLAMP BRIDE	1	1	
16	6EK-13546-00	HOSE 2 DURITE 2	1	1	
17	90465-11M10	CLAMP BRIDE	1	1	
18	90464-16001	CLAMP BRIDE	1	1	
19	6EK-13547-00	HOSE 3 DURITE 3	1	1	
20	6E5-21744-00	BREATHER RENIFLARD	1	1	
21	63D-21744-00	BREATHER RENIFLARD	1	1	
22	6EK-13548-01	HOSE, AIR 4 DURITE, A AIR 4	1	1	
23	6EK-1475F-00	PIPE 3 DURITE 3	1	1	
24	6EK-14989-00	ORIFICE, AIR VENT ORIFICE	1	1	
25	6EK-1475G-00	PIPE 4 DURITE 4	1	1	
26	90464-12010	CLAMP BRIDE	1	1	

FIG. 12 EXHAUST

ECHAPPEMENT



6EM1100-P120

REF. NO.	PART NO. N° PIECES	DESCRIPTION DESCRIPTION	6EK3	6EL3	REMARKS REMARQUES
1	6EK-14615-00	JOINT, EXHAUST 1 JOINT D'ECHAPPEMENT	1	1	
2	90340-18M09	.PLUG, STRAIGHT SCREW .PLOT, FILETE DROIT	1	1	
3	90201-186F1	.WASHER, PLATE .RONDELLE, PLATE	1	1	
4	6EK-14625-00	JOINT, EXHAUST 2 JOINT D'ECHAPPEMENT	1	1	
5	98780-05025	SCREW, FLAT HEAD VIS A TETE FRAISEE	1	1	
6	6EK-11325-00	ANODE ANODE	1	1	
7	6G8-11197-A0	PLUG, BLIND PLOT, BORGNE	1	1	
8	93210-13M63	O-RING JOINT TORIQUE	1	1	
9	93210-64001	O-RING JOINT TORIQUE	1	1	
10	93210-84001	O-RING JOINT TORIQUE	1	1	
11	91690-50014	PIN, SPRING AGRAFFE	2	2	
12	6EK-41114-00	GASKET, EXHAUST OUTER COVER JOINT, COUVERCLE D'ECHAPPEMENT	1	1	
13	6EK-41124-00	GASKET, EXHAUST OUTER COVER JOINT, COUVERCLE D'ECHAPPEMENT	1	1	
14	90105-08247	BOLT, FLANGE BOULON	2	2	
15	90105-08220	BOLT, FLANGE BOULON	6	6	
16	6EM-42542-00	PIPE TUYAU	1	1	
17	90465-11M10	CLAMP BRIDE	1	1	
18	6EK-82398-00	PLATE 3 PLAQUETTE 3	1	1	
19	95895-06012	BOLT, FLANGE BOULON	2	2	
20	90464-09129	CLAMP BRIDE	1	1	
21	90464-12183	CLAMP BRIDE	1	1	

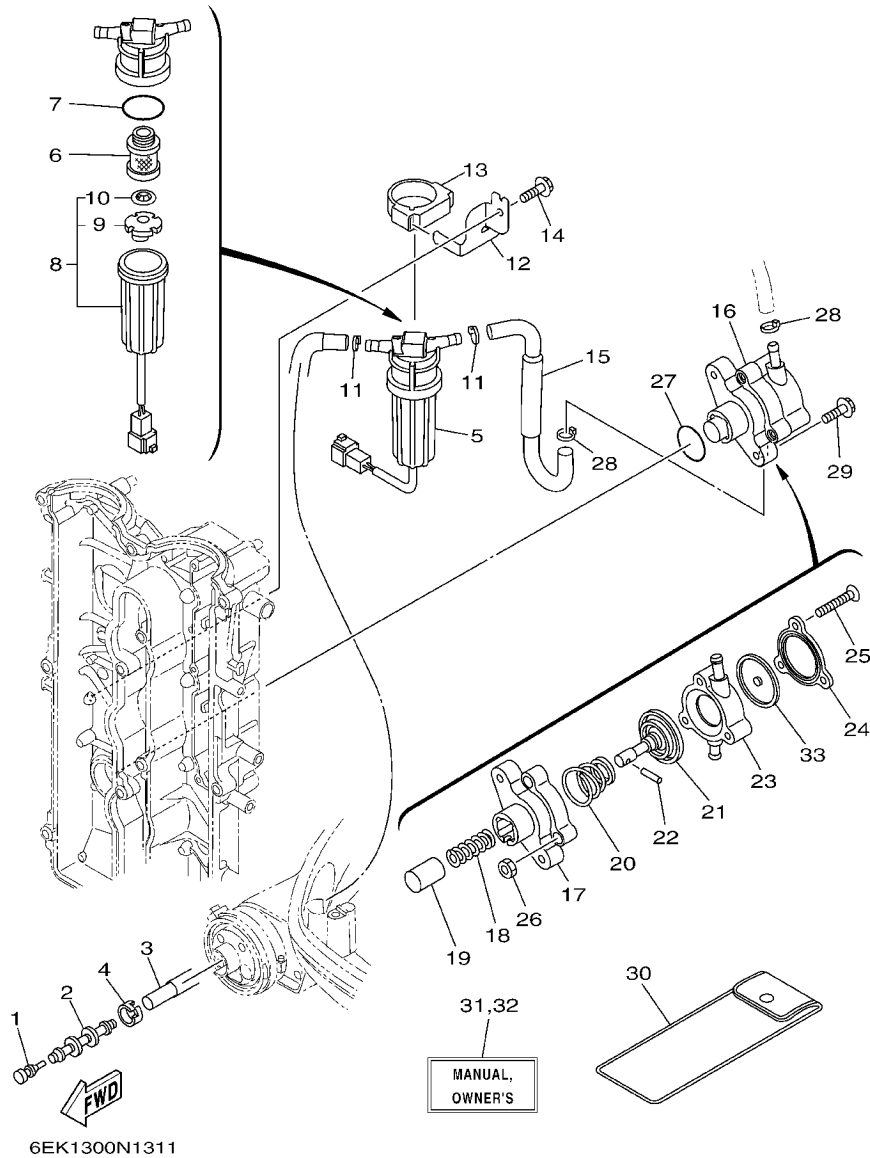


FIG. 13 FUEL 1

CARBURANT 1

REF. NO.	PART NO. N° PIECES	DESCRIPTION DESCRIPTION	6EK3	6EL3	REMARKS REMARQUES
1	689-85547-00	DAMPER AMORTISSEUR	1	1	
2	6AW-24377-01	PIPE, JOINT 2 DURITE RACCORDEMENT 2	1	1	
3	6EK-24314-00	PIPE 4 DURITE 4	1	1	
4	6E5-24351-51	BAND 1 COLLIER 1	1	1	
5	6EK-24560-00	FILTER ASSY ENS FILTRE	1	1	
6	6D8-24563-00	.ELEMENT, FILTER .ELEMENT, FILTRE	1	1	
7	6D8-24564-00	.GASKET .JOINT	1	1	
8	6D8-24562-00	.CUP, FILTER .CUVETTE, FILTRE	1	1	
9	6D8-24469-00	..FLOAT, WATER LEVEL ..FLOTTEUR	1	1	
10	6D8-24519-00	..CLIP ..JONC	1	1	
11	90465-11M10	CLAMP BRIDE	2	2	
12	6EK-24566-00	BRACKET, FILTER SUPPORT, FILTRE	1	1	
13	6EK-24568-00	BAND, FILTER COLLIER, FILTRE	1	1	
14	95895-06016	BOLT, FLANGE BOULON	1	1	
15	6EK-24311-00	PIPE, FUEL 1 DURITE A ESSENCE	1	1	
16	6EK-24410-00	FUEL PUMP ASSY POMPE A ESSENCE	1	1	
17	68V-24412-00	.BODY 1 .CORPS 1	1	1	
18	68V-24454-00	.SPRING .RESSORT	1	1	
19	63P-13131-00	.PLUNGER .PLONGEUR	1	1	
20	63P-24423-00	.SPRING, DIAPHRAGM .RESSORT, DIAPHRAGME	1	1	
21	68V-24411-00	.DIAPHRAGM .DIAPHRAGME	1	1	
22	68V-24374-00	.PIN .GOUILLE	1	1	
23	6EK-24413-00	.BODY 2 .CORPS 2	1	1	
24	6EK-24414-00	.BODY 3 .CORPS 3	1	1	
25	68V-24444-00	.SCREW .VIS	3	3	
26	68V-24149-00	.NUT .ECROU	3	3	
27	93210-30682	O-RING JOINT TORIQUE	1	1	

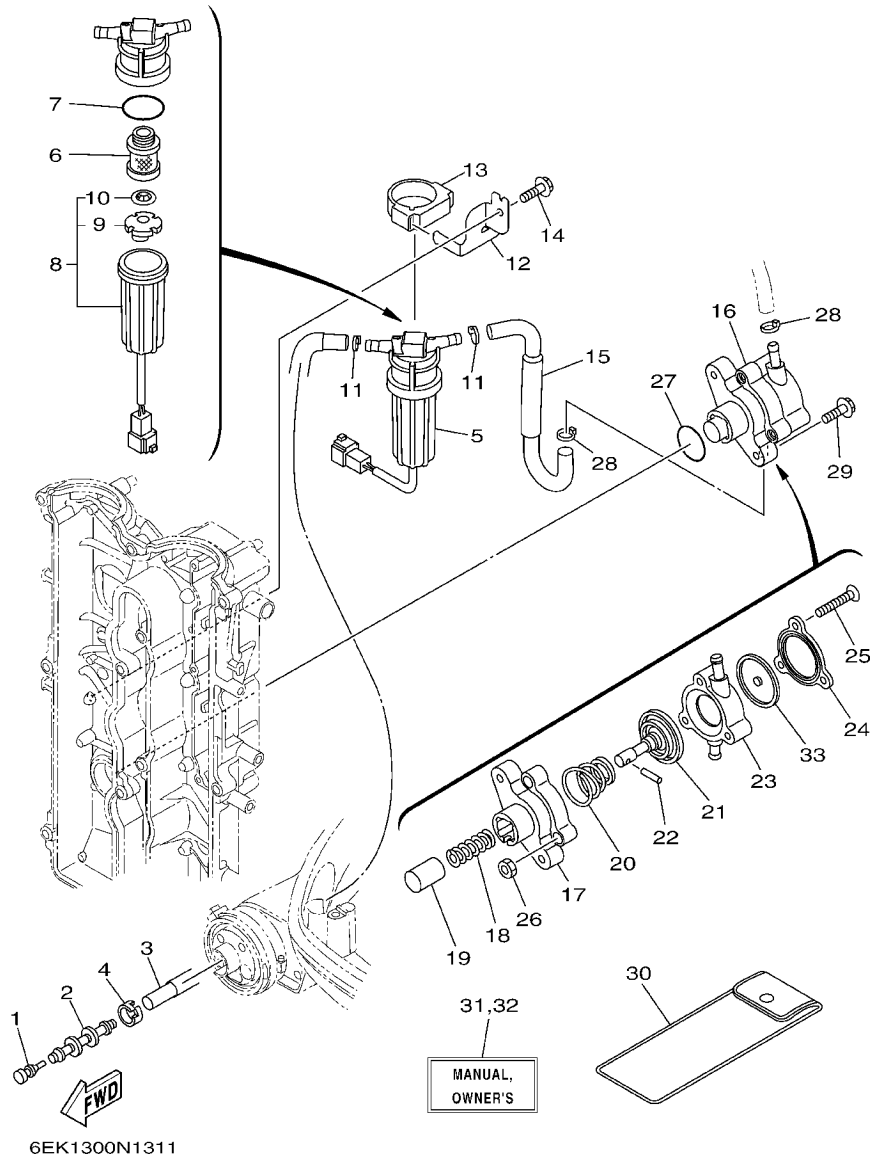


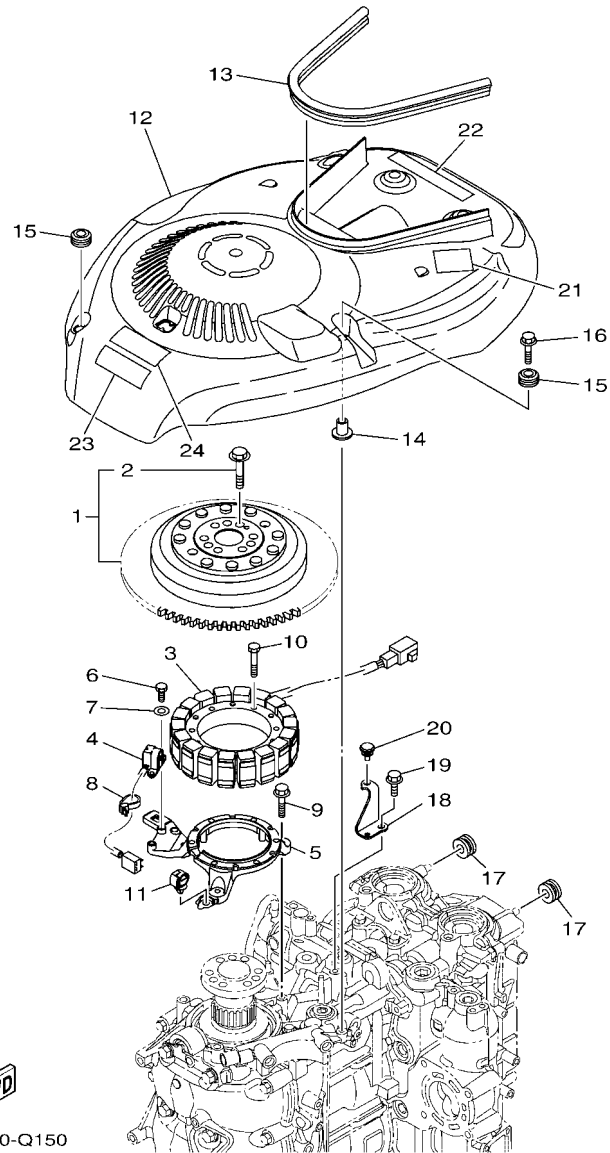
FIG. 13 FUEL 1

CARBURANT 1

REF. NO.	PART NO. N° PIECES	DESCRIPTION DESCRIPTION	6EK3	6EL3	REMARKS REMARQUES
28	90465-11M10	CLAMP BRIDE	2	2	
29	90105-06208	BOLT, FLANGE BOULON	2	2	
30	67F-28100-01	TOOL KIT TROUSSE A OUTILS	1	1	AP AP
31	6EK-28199-72-E0	MANUAL, OWNER'S MANUEL D'UTILISATION	1	1	UR (E) UR (E)
	6EK-28199-72-F0	MANUAL, OWNER'S MANUEL D'UTILISATION	1	1	UR (F) UR (F)
	6EK-28199-72-S0	MANUAL, OWNER'S MANUEL D'UTILISATION	1	1	UR (ES) UR (ES)
	6EK-28199-72-G0	MANUAL, OWNER'S MANUEL D'UTILISATION	1	1	UR (D) UR (D)
	6EK-28199-72-D0	MANUAL, OWNER'S MANUEL D'UTILISATION	1	1	UR (NL) UR (NL)
	6EK-28199-72-H0	MANUAL, OWNER'S MANUEL D'UTILISATION	1	1	UR (I) UR (I)
32	6EK-28199-82-K0	MANUAL, OWNER'S MANUEL D'UTILISATION	1	1	UR (DK) UR (DK)
	6EK-28199-82-R0	MANUAL, OWNER'S MANUEL D'UTILISATION	1	1	UR (GR) UR (GR)
	6EK-28199-82-P0	MANUAL, OWNER'S MANUEL D'UTILISATION	1	1	UR (P) UR (P)
	6EK-28199-82-N0	MANUAL, OWNER'S MANUEL D'UTILISATION	1	1	UR (N) UR (N)
	6EK-28199-82-M0	MANUAL, OWNER'S MANUEL D'UTILISATION	1	1	UR (S) UR (S)
	6EK-28199-82-L0	MANUAL, OWNER'S MANUEL D'UTILISATION	1	1	UR (SF) UR (SF)
33	68V-24471-10	.DIAPHRAGM .DIAPHRAGME	1	1	

FIG. 15 GENERATOR

GENERATRICE

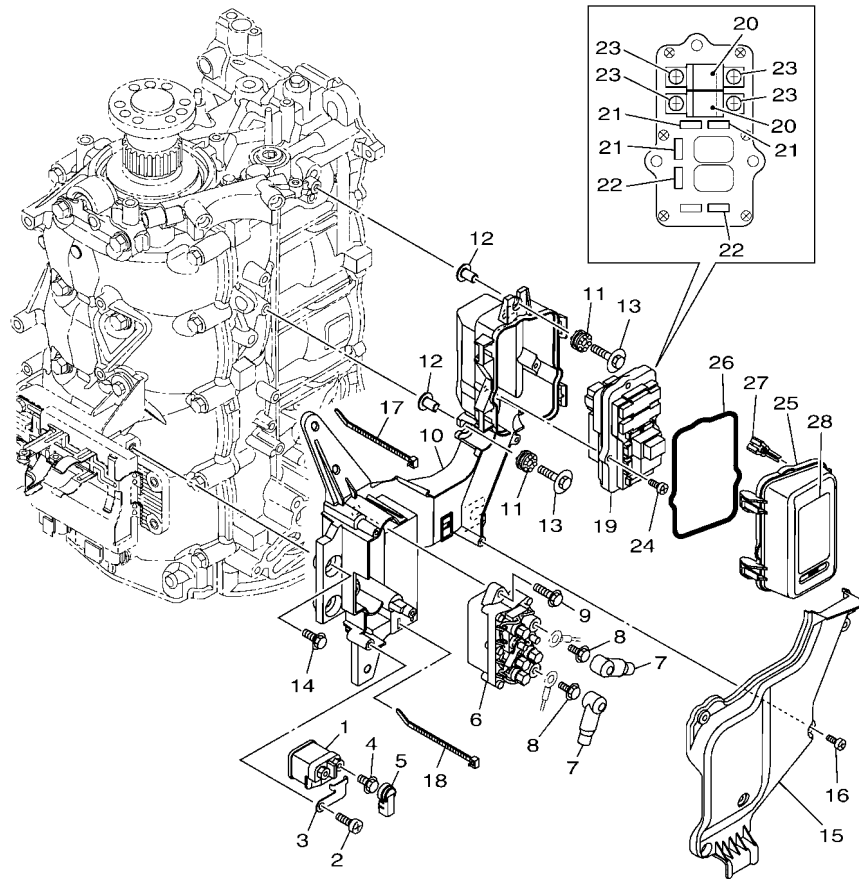


6EK3100-Q150

REF. NO.	PART NO. N° PIECES	DESCRIPTION DESCRIPTION	6EK3	6EL3	REMARKS REMARQUES
1	6EK-W8145-00	ROTOR ASSY WITH BOLTS ROTOR COMPLET AVEC BOULON	1	1	
2	6EK-W9010-00	.BOLT SET .BOULON ENS.	1	1	
3	6EK-81410-00	STATOR ASSY STATOR COMPLET	1	1	
4	6CB-85580-00	COIL, PULSER BOBINE, PULSEUR	1	1	
5	6EK-85561-00	BASE, MAGNETO BASE, MAGNETO	1	1	
6	97095-05016	BOLT BOULON	2	2	
7	92995-05600	WASHER RONDELLE	2	2	
8	90465-13M97	CLAMP BRIDE	1	1	
9	95895-06030	BOLT, FLANGE BOULON	3	3	
10	91312-06035	BOLT BOULON	6	6	
11	90464-13249	CLAMP BRIDE	1	1	
12	6EK-81337-00	COVER, FLYWHEEL COUVERCLE, VOLANT	1	1	
13	6EK-42617-00	DAMPER, FORM BOURRELET, CAOUTCHOUC	1	1	
14	90387-06119	COLLAR COLLERETTE	1	1	
15	6A0-82317-00	DAMPER, IGNITION COIL AMORTISSEUR, BOBINE D'ALLUM	2	2	
16	95895-06030	BOLT, FLANGE BOULON	1	1	
17	90480-12314	GROMMET PASSE-FIL	2	2	
18	6EK-8132G-00	PLATE PLAQUE	1	1	
19	95895-06016	BOLT, FLANGE BOULON	1	1	
20	90480-06M19	GROMMET PASSE-FIL	1	1	
21	6EK-83626-00	MARK 6 MARK 6	1	1	
22	6EK-13437-60	MARK, CAUTION MAKER	1	1	
23	6EE-81994-40	LABEL, SAFETY ETIQUETTE, SECURITE	1	1	
24	6EE-81994-50	LABEL, SAFETY ETIQUETTE, SECURITE	1	1	

FIG. 17 ELECTRICAL 2

PARTIE ELECTRIQUE 2

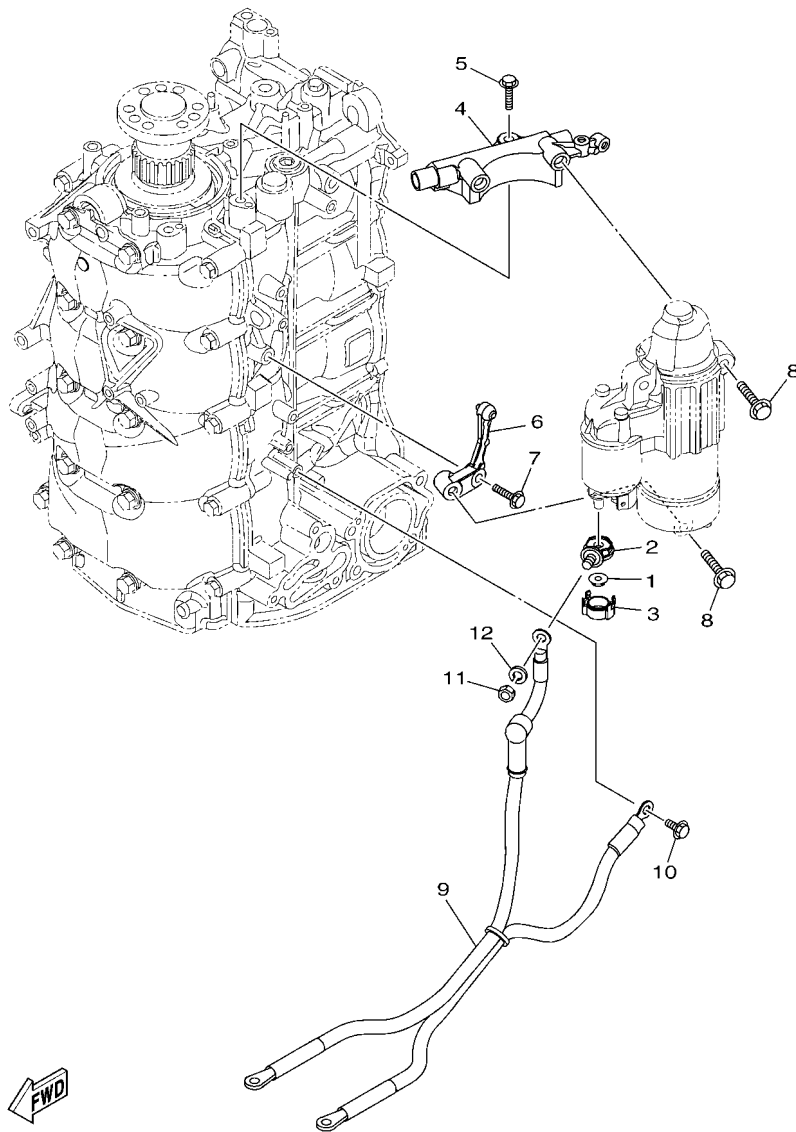



6EK2100-P170

REF. NO.	PART NO. N° PIECES	DESCRIPTION DESCRIPTION	6EK3	6EL3	REMARKS REMARQUES
1	68V-8194A-00	RELAY RELAIS	1	1	
2	97780-60620	SCREW, TAPPING VIS, TETE BOMBEE	1	1	
3	68V-81953-00	STAY, RELAY SUPPORT, RELAIS	1	1	
4	97595-06610	BOLT, WITH WASHER VIS HEXAGONAL AVC RONDELLE	2	2	
5	6P2-8183X-00	CAP, TERMINAL COUVERCLE, BORNE	2	2	
6	63P-81950-00	RELAY ASSY RELAIS COMPLET	1	1	
7	682-82119-01	COVER, LEAD WIRE GARNITURE, FIL	2	2	
8	97595-06610	BOLT, WITH WASHER VIS HEXAGONAL AVC RONDELLE	2	2	
9	97595-06520	BOLT, WITH WASHER VIS HEXAGONAL AVC RONDELLE	2	2	
10	6EK-81952-00	HOLDER, RELAY SUPPORT, RELAIS	1	1	
11	64J-85516-00	SPACER ENTRETOISE	4	4	
12	69M-42758-01	COLLAR ENTRETOISE	4	4	
13	90119-06M56	BOLT, WITH WASHER BOULON, AVEC RONDELLE	4	4	
14	95895-06016	BOLT, FLANGE BOULON	2	2	
15	6EK-81942-00	COVER COUVERCLE	1	1	
16	90169-05M00	SCREW, TRUSS HEAD TAPPING VIS, TETE FRAISEE	4	4	
17	90465-13M18	CLAMP BRIDE	2	2	
18	90465-13M18	CLAMP BRIDE	1	1	
19	6EK-82170-02	FUSE BOX ASSY BOITE A FUSIBLES	1	1	
20	63P-82151-00	.FUSE (50A) .FUSIBLE (50A)	2	2	
21	67F-82151-00	.FUSE (20A) .FUSIBLE (20A)	3	3	
22	67F-82151-10	.FUSE (30A) .FUSIBLE (30A)	2	2	
23	68F-82846-00	.SCREW, PAN HEAD (M5) .VIS, TETE TRONCONIQUE (M5)	4	4	
24	97780-50620	SCREW, TAPPING VIS, TETE BOMBEE	3	3	
25	6EM-85544-00	CASE BOITIER	1	1	
26	68F-82176-00	DAMPER AMORTISSEUR	1	1	
27	67F-2812A-00	PULLER, FUSE TENDEUR, FUSIBLE	1	1	

FIG. 18 ELECTRICAL 3

PARTIE ELECTRIQUE 3

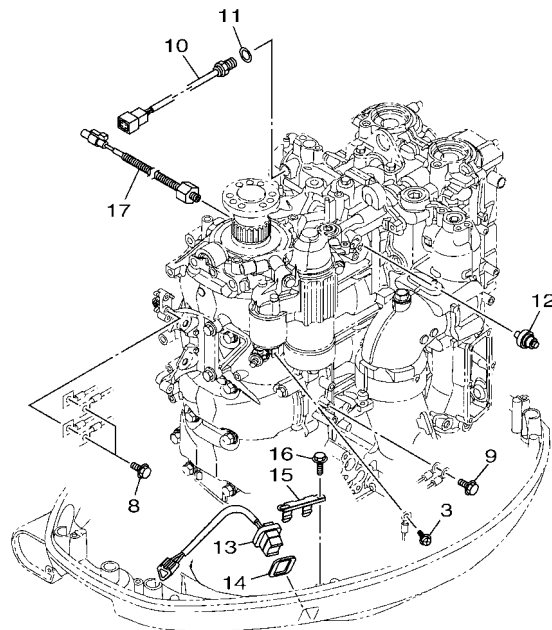
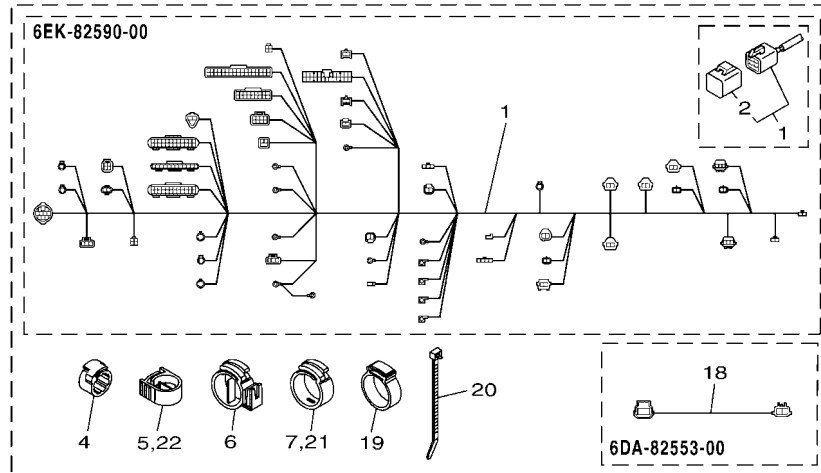


6EK1100-N180

REF. NO.	PART NO. N° PIECES	DESCRIPTION DESCRIPTION	6EK3	6EL3	REMARKS REMARQUES
1	90179-08003	NUT ECROU	1	1	
2	60V-81925-00	TERMINAL BORNE	1	1	
3	68F-82582-00	COVER, WIRE HARNESS COUVERCLE, FAISCEAU DE FILS	1	1	
4	6EK-81822-00	BRACKET, STARTING MOTOR SUPPORT, DEMARREUR ELECTRIQUE	1	1	
5	95812-08030	BOLT, FLANGE BOULON	2	2	
6	6EK-81823-00	STAY, STARTING MOTOR SUPPORT	1	1	
7	95812-08030	BOLT, FLANGE BOULON	1	1	
8	90105-08248	BOLT, FLANGE BOULON	3	3	
9	68V-82105-01	BATTERY CABLE CABLE DE BATTERIE	1	1	AP
10	90105-06M14	BOLT FLANGE BOULON	1	1	AP AP AP
11	95333-08600	NUT ECROU	1	1	AP AP
12	92903-08100	WASHER, SPRING RONDELLE, GROWER	1	1	AP AP

FIG. 20 ELECTRICAL 5

PARTIE ELECTRIQUE 5

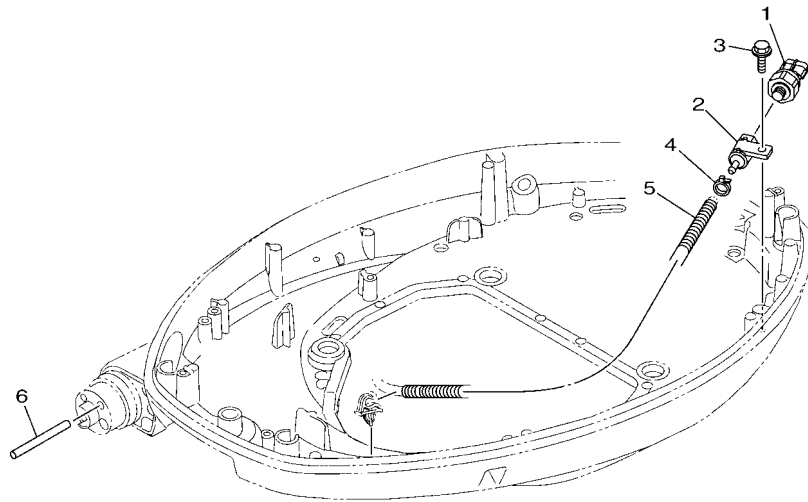


6EL3100-Q20

REF. NO.	PART NO. N° PIECES	DESCRIPTION DESCRIPTION	6EK3	6EL3	REMARKS REMARQUES
1	6EK-82590-00	WIRE HARNESS ASSY FAISCEAU DE FILS COMPLET	1	1	
2	6Y8-82582-11	.CAP 1 (4PIN) .COUVERCLE, FAISCEAU DE FILS	1	1	
3	97985-04308	SCREW, WITH WASHER VIS, AVEC RONDELLE	1	1	
4	90464-13227	CLAMP BRIDE	1	1	
5	90464-18004	CLAMP BRIDE	1	1	
6	90464-22005	CLAMP BRIDE	1	1	
7	90464-16001	CLAMP BRIDE	1	1	
8	97595-06516	BOLT, WITH WASHER VIS HEXAGONAL AVC RONDELLE	2	2	
9	97595-06516	BOLT, WITH WASHER VIS HEXAGONAL AVC RONDELLE	1	1	
10	6CJ-85790-00	THERMOSENSOR ASSY SENSITOMETRE	1	1	
11	90430-14115	GASKET JOINT	1	1	
12	68V-82504-00	OIL PRESSURE SWITCH ASSY CONTACTEUR DE PRESSION D'HUILE	1	1	
13	69J-82563-01	TRIM & TILT SWITCH ASSY INCLINER ET PARER COMMUTATEUR	1	1	
14	69J-82587-00	GASKET JOINT	1	1	
15	69J-83614-00	BRACKET SUPPORT	1	1	
16	90109-06M86	BOLT BOULON	2	2	
17	6CJ-85780-00	SENSOR, KNOCK SONDE DE COGNEMENT	1	1	
18	6DA-82553-00	EXTENSION, WIRE LEAD EXTENSION, FAISCEAU	1	1	
19	90464-26001	CLAMP BRIDE	1	1	
20	90465-13M18	CLAMP BRIDE	1	1	
21	90464-16001	CLAMP BRIDE	1	1	
22	90464-18004	CLAMP BRIDE	1	1	

FIG. 21 ELECTRICAL 6

PARTIE ELECTRIQUE 6



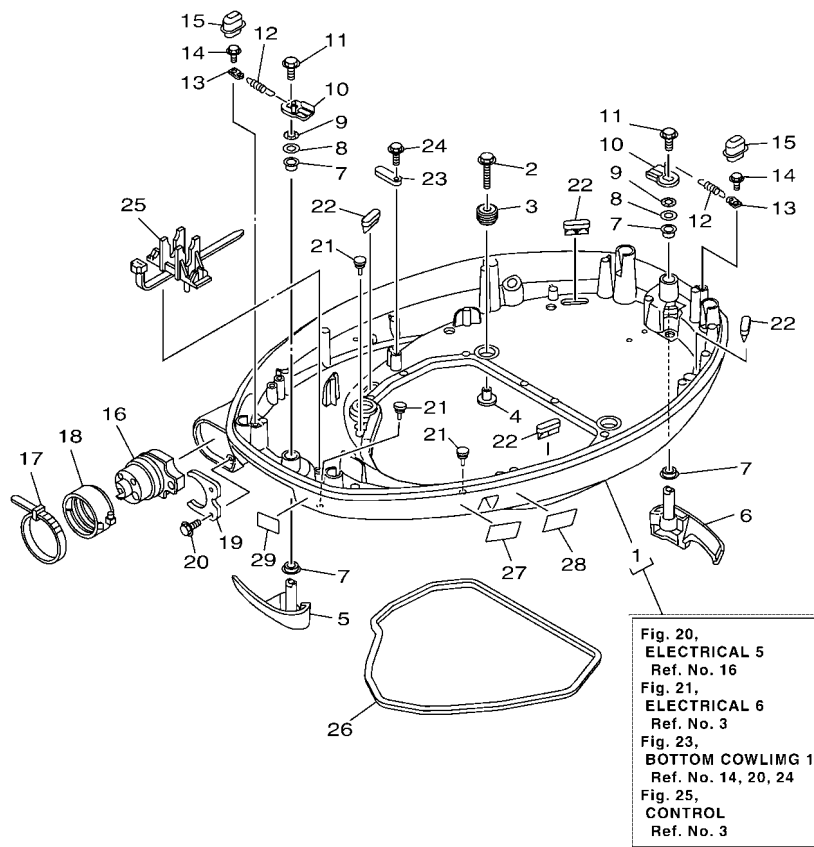
REF. NO.	PART NO. N° PIECES	DESCRIPTION DESCRIPTION	6EK3	6EL3	REMARKS REMARQUES
1	6AW-8366B-01	SENSOR, WATER PRESSURE SONDE DE PRESSION D'EAU	1		FOR LAN SPEED FOR LAN SPEED
2	60V-8366D-00	ADAPTOR, INPUT CONNECTEUR 3	1		FOR LAN SPEED FOR LAN SPEED
3	90109-06M81	BOLT BOULON	1		FOR LAN SPEED FOR LAN SPEED
4	90465-11M10	CLAMP BRIDE	1		FOR LAN SPEED FOR LAN SPEED
5	90447-07010	HOSE, WITH SPRING (L520) DURITE	1		FOR LAN SPEED FOR LAN SPEED
6	60V-42629-00	SEAL JOINT	1		FOR LAN SPEED FOR LAN SPEED



6EK1300-N360

FIG. 23 BOTTOM COWLING 1

CAPOT INFERIEUR 1

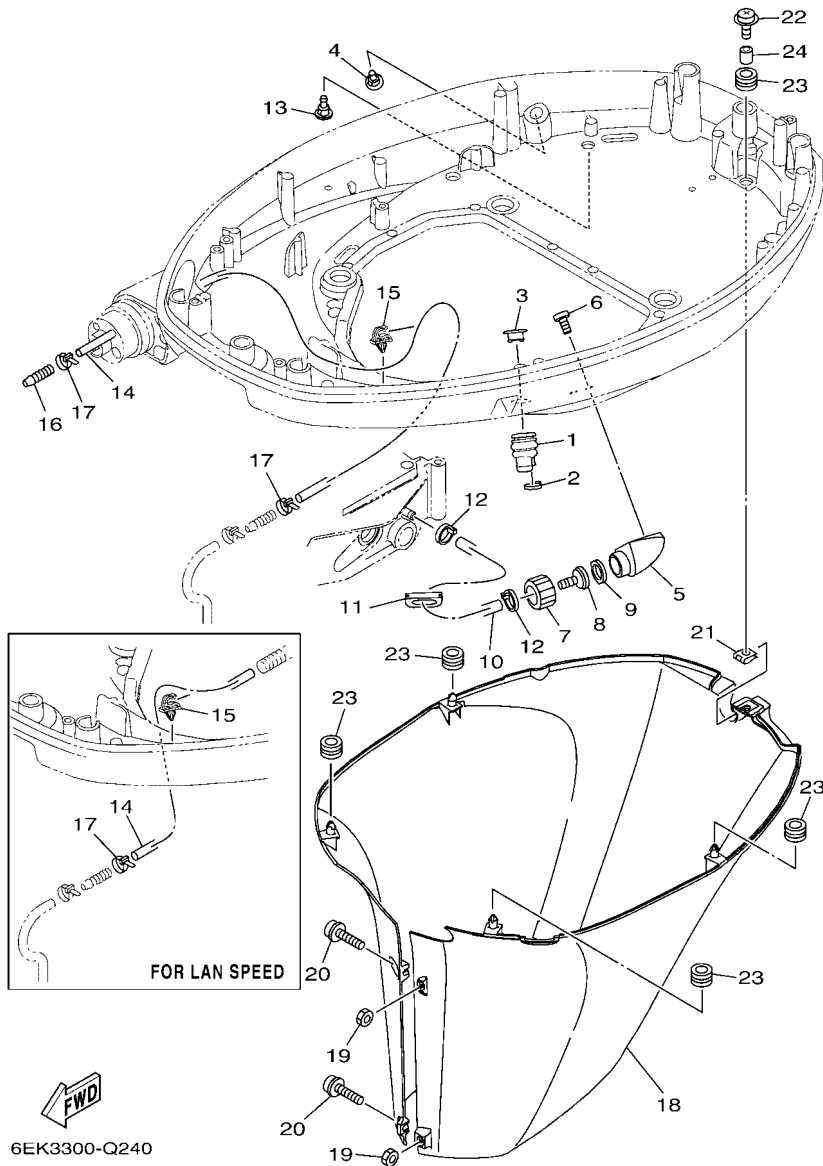


REF. NO.	PART NO. N° PIECES	DESCRIPTION DESCRIPTION	6EK3	6EL3	REMARKS REMARQUES
1	6EK-42710-00	BOTTOM COWLING ASSY ENS. EMBASE	1	1	
2	90119-08M22	BOLT, WITH WASHER BOULON, AVEC RONDELLE	4	4	
3	90480-22M15	GROMMET PASSE-FIL	4	4	
4	90387-08M37	COLLAR COLLERETTE	4	4	
5	6EK-42815-00-8D	LEVER, CLAMP LEVIER, PRESSE	1	1	
6	6EK-42816-00-8D	LEVER, CLAMP LEVIER, PRESSE	1	1	
7	90386-15M73	BUSH DOUILLE	4	4	
8	90201-156J2	WASHER, PLATE RONDELLE, PLATE	2	2	
9	90206-15M18	WASHER, WAVE RONDELLE, ONDULEE	2	2	
10	6CB-42818-00	LEVER, CLAMP LEVIER, PRESSE	2	2	
11	95895-08012	BOLT, FLANGE BOULON	2	2	
12	90506-22001	SPRING, TENSION RESSORT, TENSION	2	2	
13	66T-43144-00	HOOK, SPRING CROCHET	2	2	
14	90109-06M86	BOLT BOULON	2	2	
15	6EK-42728-00	CAP CAPUCHON	2	2	
16	6EK-42725-00	GROMMET PASSE-FIL	1	1	
17	90464-20258	CLAMP BRIDE	1	1	AP
18	68F-42753-00	FASTNER ATTACHE	1	1	AP
19	6CB-42761-00	STOPPER PLAQUETTE	1	1	AP
20	90109-06M86	BOLT BOULON	2	2	
21	6H4-42748-00	GROMMET PASSE-FIL	3	3	
22	67F-42717-00	RUBBER, SEAL 2 JOINT EN CAOUTCHOUC 2	4	4	
23	6E5-82588-00	PLATE PLAQUE	1	1	
24	90109-06M81	BOLT BOULON	1	1	
25	68V-82594-00	CLAMP BRIDE	1	1	
26	6EK-42716-00	RUBBER, SEAL 1 JOINT EN CAOUTCHOUC 1	1	1	
27	6EE-42794-40	LABEL, WARNING (GENERAL) ETIQUETTE, AVERTISSEMENT	1	1	

6EK3300-Q230

FIG. 24 BOTTOM COWLING 2

CAPOT INFERIEUR 2

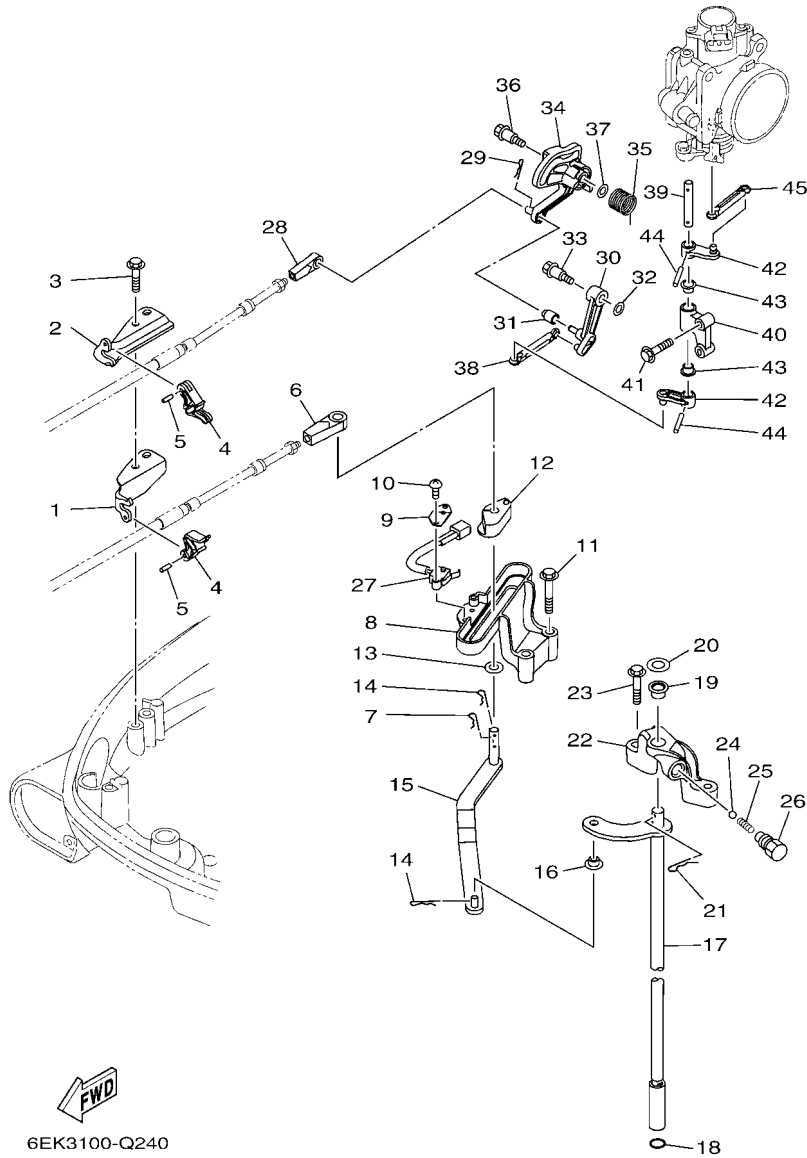


6EK3300-Q240

REF. NO.	PART NO. N° PIECES	DESCRIPTION DESCRIPTION	6EK3	6EL3	REMARKS REMARQUES
1	6H1-42726-30	GROMMET PASSE-FIL	1	1	
2	90465-11M10	CLAMP BRIDE	1	1	
3	6BG-42384-00	SEAL, CAP JOINT, CAPUCHON	1	1	
4	6P2-44391-00	NIPPLE, HOSE RACCORD D'ESSENCE	1	1	
5	6AW-12572-00	ADAPTER ADAPTATEUR	1	1	
6	97780-60520	SCREW, TAPPING VIS, TETE BOMBEE	2	2	
7	6R3-12581-00	JOINT, HOSE 1 JOINT DE TUYAU	1	1	
8	6R3-12582-00	JOINT, HOSE 2 RACCORD DE TUYAU 1	1	1	
9	6R3-12583-00	GASKET, HOSE JOINT JOINT	1	1	
10	6EK-42541-00	PIPE 1 TUYAU 1	1	1	
11	6AH-42726-00	GROMMET PASSE-FIL	1	1	
12	90465-11M10	CLAMP BRIDE	2	2	
13	6P2-44391-00	NIPPLE, HOSE RACCORD D'ESSENCE	1	1	
14	90445-073F9	HOSE (L1200) DURITE (L1200)	1	1	
15	90464-07259	CLAMP BRIDE	1	1	
16	6E5-83558-00	END, NIPPLE RACCORD DE NIPPLE	1		EXCEPT LAN SPEED
17	90465-11M10	CLAMP BRIDE		2	EXCEPT LAN SPEED
	90465-11M10	CLAMP BRIDE	1		FOR LAN SPEED
18	6EK-42741-00-8D	APRON CAPOT LATERAL	1	1	
19	95380-06600	NUT, HEXAGON ECROU	2	2	
20	90159-06M28	SCREW, WITH WASHER VIS, AVEC RONDELLE	2	2	
21	90183-061A8	NUT, SPRING ECROU, RESSORT	1	1	
22	90159-06053	SCREW, WITH WASHER VIS, AVEC RONDELLE	1	1	
23	90480-13M24	GROMMET PASSE-FIL	5	5	
24	90387-06M43	COLLAR COLLERETTE	1	1	

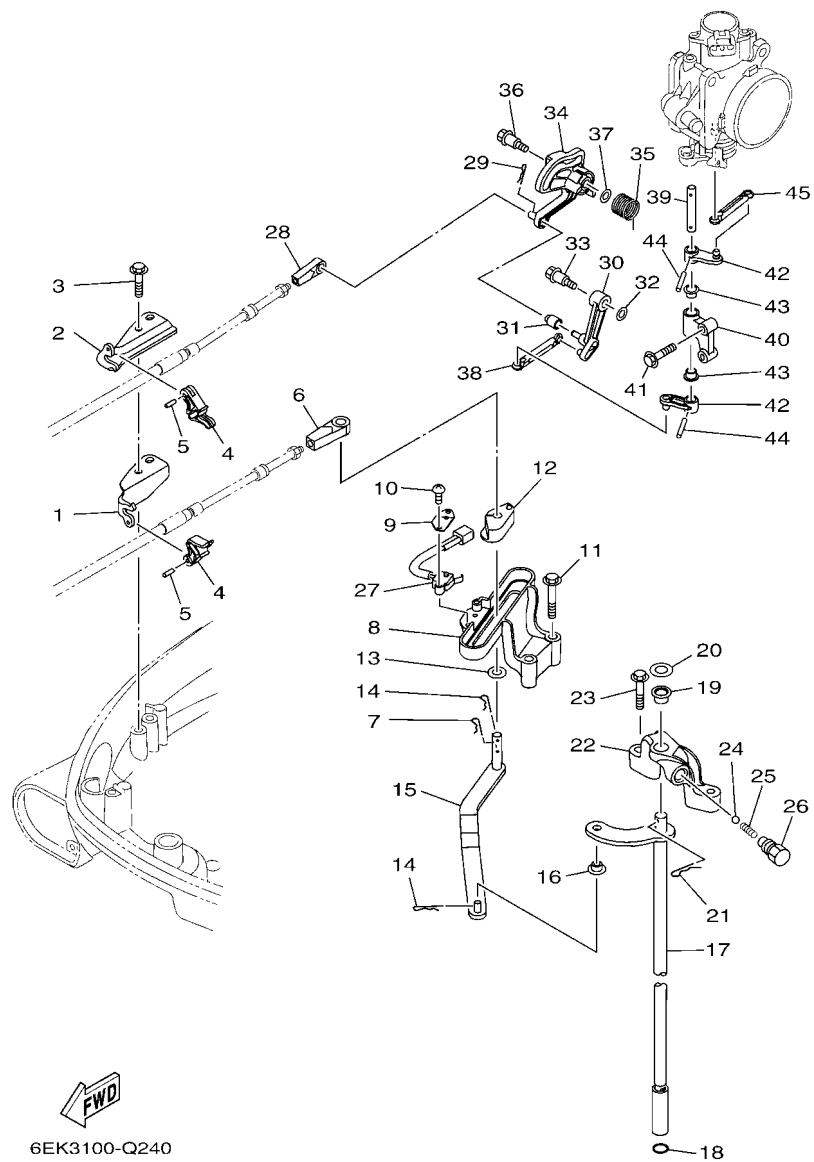
FIG. 25 CONTROL

COMMANDE



6EK3100-Q240

REF. NO.	PART NO. N° PIECES	DESCRIPTION DESCRIPTION	6EK3	6EL3	REMARKS REMARQUES
1	6EK-48531-00	BRACKET, REMOTE CONTROL 1 ETRIER 1, COMMANDE A DISTANCE	1	1	
2	6EK-48532-00	BRACKET, REMOTE CONTROL 2 ETRIER 2, COMMANDE A DISTANCE	1	1	
3	90109-06M81	BOLT BOULON	2	2	
4	6EK-48538-00	CLAMP, CABLE 1 COLLIER	2	2	
5	91690-30010	PIN, SPRING AGRAFFE	2	2	
6	6E5-48344-00	CABLE END, REMOTE CONTROL CHAPE CABLE	1	1	
7	90468-18008	CLIP JONC	1	1	
8	6EK-44117-01	BRACKET SUPPORT	1	1	
9	61A-82588-01	PLATE PLAQUE	1	1	
10	97985-04116	SCREW, WITH WASHER VIS, AVEC RONDELLE	2	2	
11	95875-06040	BOLT, FLANGE BOULON, A COLLERETTE	2	2	
12	63P-44122-00	BUSHING, SHIFT ROD LEVER DOUILLE, LEVIER D'EMBRAYAGE	1	1	
13	90202-08M20	WASHER, PLATE RONDELLE, PLATE	1	1	
14	90468-18008	CLIP JONC	2	2	
15	6EK-44121-00	LEVER, SHIFT ROD LEVIER, TIGE D'INVERSION	1	1	
16	90386-06M12	BUSH DOUILLE	1	1	
17	6EK-44120-00	HANDLE GEAR SHIFT ASSY LEVIER D'EMBRAYAGE	1		L(20.3")
	6EK-44120-10	HANDLE GEAR SHIFT ASSY LEVIER D'EMBRAYAGE	1	1	L(20.3") X(25.3") X(25.3")
18	93210-09165	O-RING JOINT TORIQUE	1	1	
19	90386-10001	BUSH DOUILLE	1	1	
20	90201-11008	WASHER, PLATE RONDELLE, PLATE	1	1	
21	90468-180A0	CLIP JONC	1	1	
22	6EK-44118-00	BRACKET SUPPORT	1	1	
23	95895-06030	BOLT, FLANGE BOULON	2	2	
24	93501-04M02	BALL BILLE	1	1	
25	90501-12082	SPRING, COMPRESSION RESSORT, COMPRESSION	1	1	
26	648-42715-00	BUSHING COUSSINET	1	1	

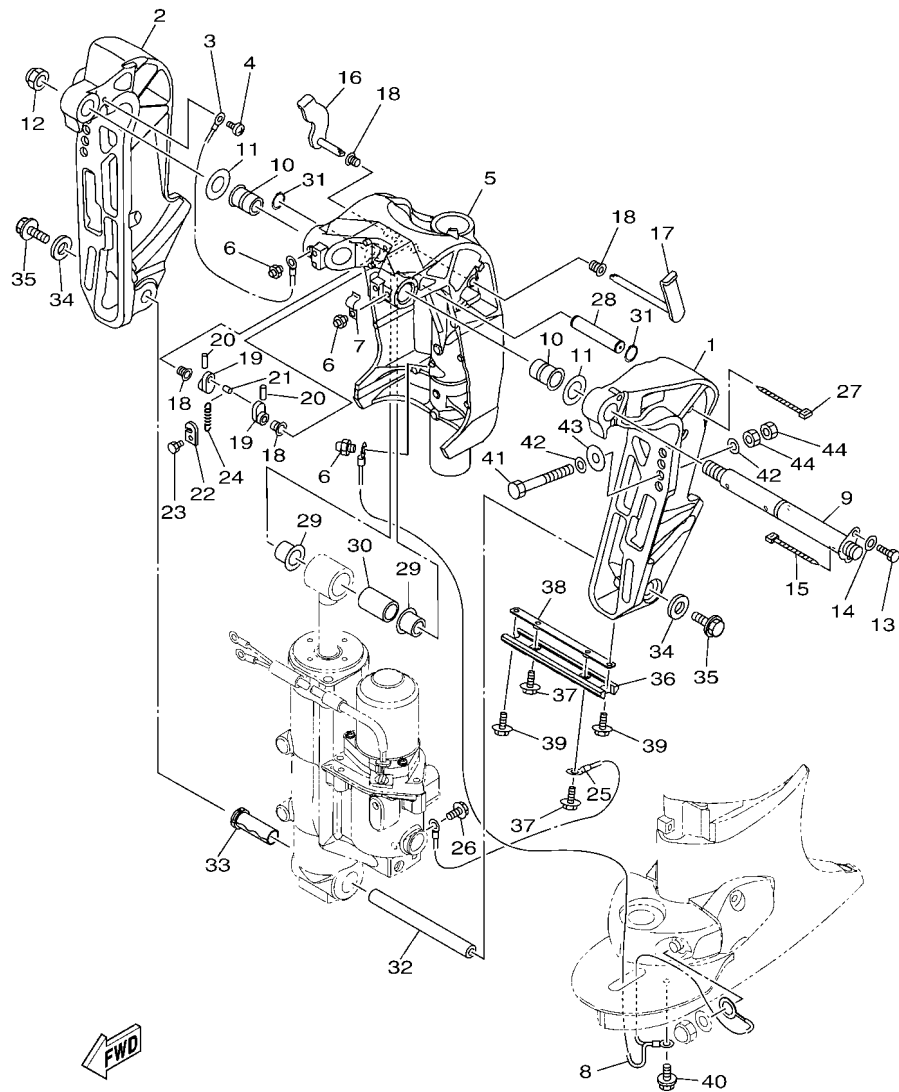


6EK3100-Q240

FIG. 25 CONTROL

COMMANDE

REF. NO.	PART NO. N° PIECES	DESCRIPTION DESCRIPTION	6EK3	6EL3	REMARKS REMARQUES
27	60V-8259F-00	SWITCH ASSY COMMUTATEUR	1	1	
28	6E5-48344-00	CABLE END, REMOTE CONTROL CHAPE CABLE	1	1	
29	90468-18008	CLIP JONC	1	1	
30	6EK-42154-00	LEVER, THROTTLE CONTROL LEVIER DE COMMANDE D'AVANCE	1	1	
31	68V-42171-00	BUSHING COUSSINET	1	1	
32	90201-06M05	WASHER, PLATE RONDELLE, PLATE	1	1	
33	90109-06288	BOLT BOULON	1	1	
34	6EK-41213-00	CAM, ACCEL. CAME, ACCELERATION	1	1	
35	6EK-44135-00	SPRING RESSORT	1	1	
36	90109-06288	BOLT BOULON	1	1	
37	90201-06M05	WASHER, PLATE RONDELLE, PLATE	1	1	
38	6EK-41237-10	JOINT, LINK RACCORD	1	1	
39	6EK-41635-00	SHAFT, LINK CONNECTING AXE, RACCORD	1	1	
40	6EK-41662-00	BRACKET 2 SUPPORT 2	1	1	
41	95895-06030	BOLT, FLANGE BOULON	2	2	
42	6EK-42157-00	LEVER, THROTTLE LEVIER DE AVANCE	2	2	
43	90386-10001	BUSH DOUILLE	2	2	
44	91690-30018	PIN, SPRING AGRAFFE	2	2	
45	6EK-41237-00	JOINT, LINK RACCORD	1	1	



6EM1100-P250

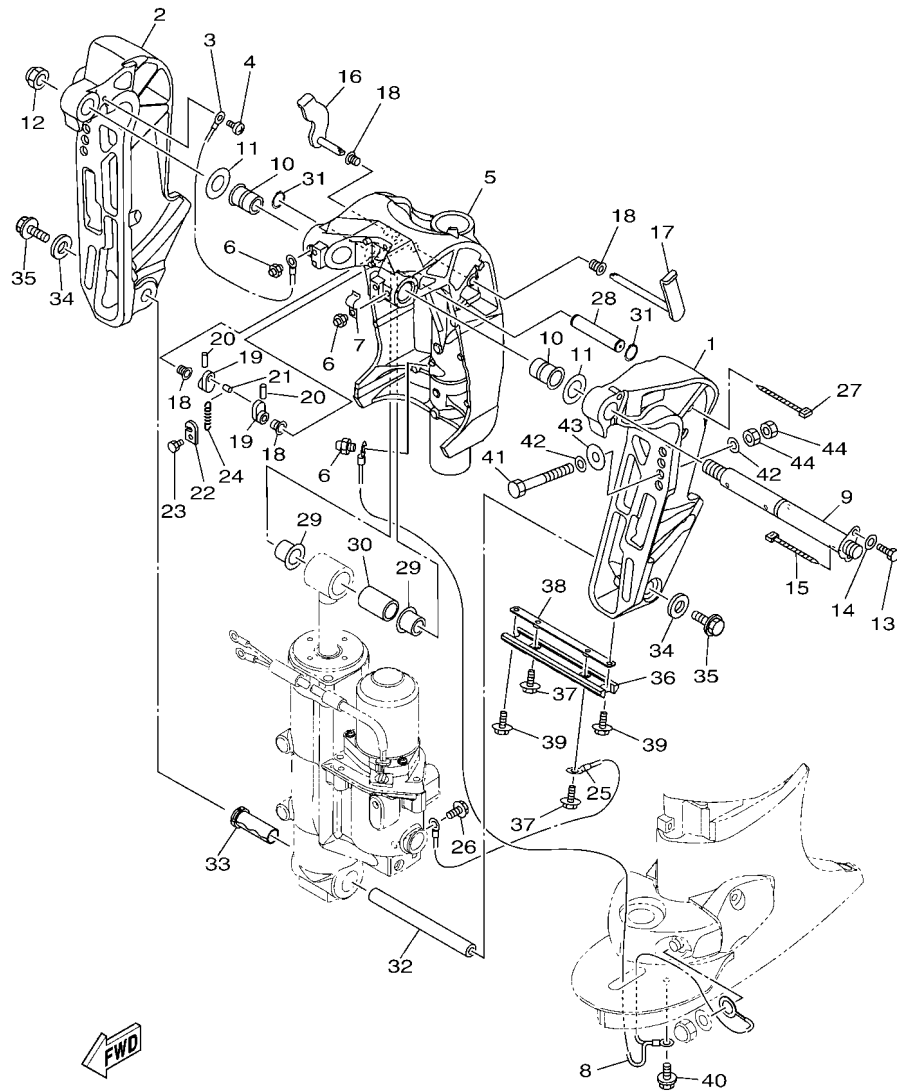
FIG. 26 BRACKET 1

SUPPORT 1

REF. NO.	PART NO. N° PIECES	DESCRIPTION DESCRIPTION	6EK3	6EL3	REMARKS REMARQUES
1	6EK-43111-00-8D	BRACKET, CLAMP 1 PRESSE 1	1	1	
2	6EK-43112-00-8D	BRACKET, CLAMP 2 PRESSE 2	1	1	
3	6E5-82148-00	WIRE, LEAD 4 FIL 4	1	1	
4	97880-06012	SCREW, PAN HEAD VIS, TETE TRONCONIQUE	1	1	
5	6EK-43311-00-8D	BRACKET, SWIVEL 1 SUPPORT, PIVOT 1	1		L(20.3") L(20.3")
6	6EK-43311-10-8D	BRACKET, SWIVEL 1 SUPPORT, PIVOT 1	1	1	X(25.3") X(25.3")
6	93700-06M03	NIPPLE, GREASE PION	3	3	
7	90465-08M63	CLAMP BRIDE	1	1	
8	66K-82149-00	WIRE, LEAD 3 FIL 3	1		L(20.3") L(20.3")
8	68V-82149-30	WIRE, LEAD 3 FIL 3	1	1	X(25.3") X(25.3")
9	64E-43131-30	BOLT, CLAMP BRACKET BOULON, PRESSE	1	1	
10	90386-25M31	BUSH DOUILLE	2	2	
11	90201-26M59	WASHER, PLATE RONDELLE, PLATE	2	2	
12	90185-22M11	NUT, SELF-LOCKING ECROU, AUTO-BLOQUANT	1	1	
13	97095-08020	BOLT BOULON	1	1	
14	92995-08600	WASHER RONDELLE	1	1	
15	90465-11M10	CLAMP BRIDE	1	1	
16	6EK-43181-00	LEVER, TILT STOP 1 LEVIER VERROUILLAGE RELEVAGE 1	1	1	
17	6EK-43185-00	LEVER, TILT STOP 2 LEVIER VERROUILLAGE RELEVAGE 2	1	1	
18	90386-10M16	BUSH DOUILLE	4	4	
19	6G5-43148-00	COLLAR, DISTANCE ENTRETOISE	2	2	
20	91690-30020	PIN, SPRING AGRAFFE	2	2	
21	90249-06M19	PIN GOUILLE	1	1	
22	66T-43144-00	HOOK, SPRING CROCHET	1	1	
23	97095-06010	BOLT BOULON	1	1	
24	90506-14M24	SPRING, TENSION RESSORT, TENSION	1	1	
25	6D8-82148-00	WIRE, LEAD 4 FIL 4	1	1	

FIG. 26 BRACKET 1

SUPPORT 1

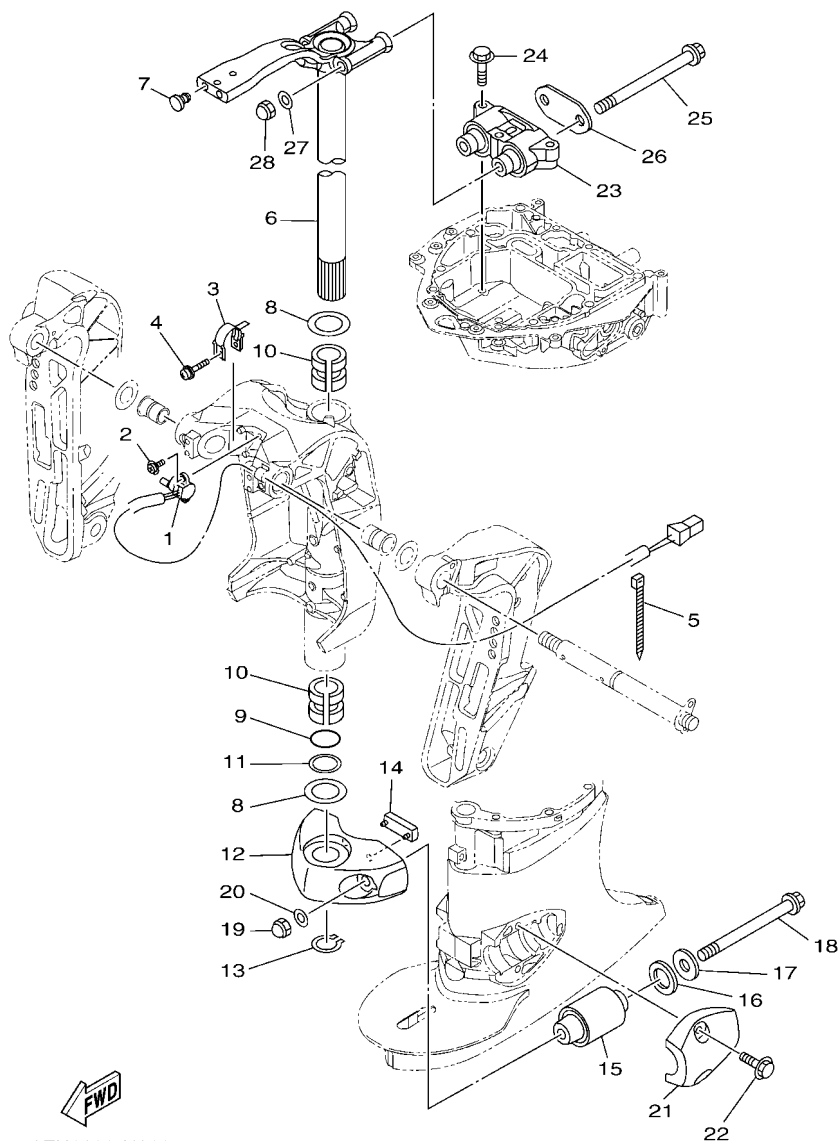


6EM1100-P250

REF. NO.	PART NO. N° PIECES	DESCRIPTION DESCRIPTION	6EK3	6EL3	REMARKS REMARQUES
26	97595-06510	BOLT, WITH WASHER VIS HEXAGONAL AVC RONDELLE	1	1	
27	90465-13M18	CLAMP BRIDE	1	1	
28	6EK-43126-00	PIN, UPPER SHOCK MOUNT AXE, SUPERIEUR AMORTISSEUR	1	1	
29	90386-18M35	BUSH DOUILLE	2	2	
30	90386-18001	BUSH DOUILLE	1	1	
31	93410-18M05	CIRCLIP CLIPS	2	2	
32	6EK-43818-00	PIN, LOWER SHOCK MOUNT AXE, INFERIEUR AMORTISSEUR	1	1	
33	90383-20001	BUSH, FORMED DOUILLE, MISE EN FORME	1	1	
34	90201-10060	WASHER, PLATE RONDELLE, PLATE	2	2	
35	90119-10054	BOLT, WITH WASHER BOULON, AVEC RONDELLE	2	2	
36	6H1-45251-03	ANODE ANODE	1	1	
37	90119-06M81	BOLT, WITH WASHER BOULON, AVEC RONDELLE	2	2	
38	6EK-44536-00	PLATE 2 PLAQUETTE 2	1	1	
39	97595-06616	BOLT, WITH WASHER VIS HEXAGONAL AVC RONDELLE	2	2	
40	95895-06010	BOLT, FLANGE BOULON	1	1	
41	90101-12047	BOLT (L:150MM) BOULON (L:150MM)	4	4	
42	90201-13M01	WASHER, PLATE RONDELLE, PLATE	8	8	
43	90201-12426	WASHER, PLATE RONDELLE, PLATE	4	4	
44	95380-12600	NUT ECROU	8	8	

FIG. 27 BRACKET 2

SUPPORT 2

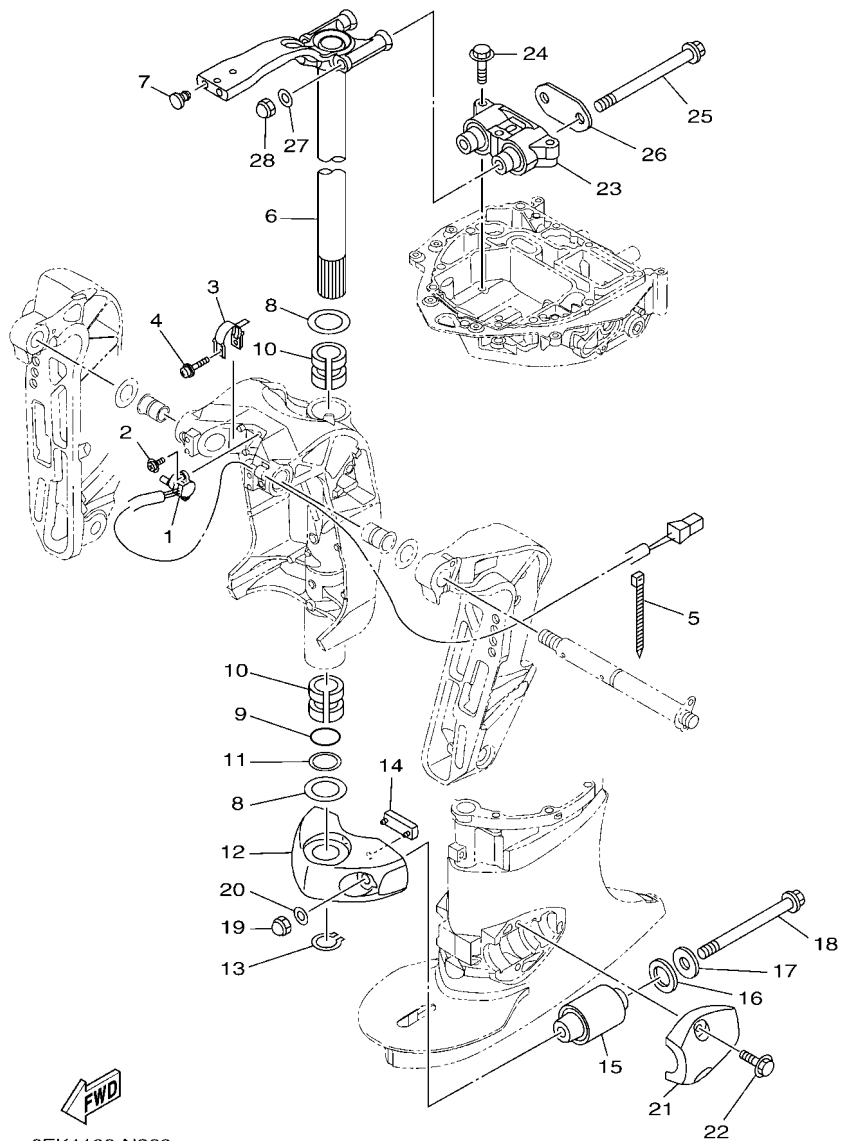


6EK1100-N260

REF. NO.	PART NO. N° PIECES	DESCRIPTION DESCRIPTION	6EK3	6EL3	REMARKS REMARQUES
1	67H-83672-01	TRIM SENDER INCLINER RACCORD	1	1	
2	97985-06216	SCREW, WITH WASHER VIS, AVEC RONDELLE	2	2	
3	64E-43139-10	CAM, TRIM SENDER VILEBREQUIN TRUM	1	1	
4	90159-05059	SCREW, WITH WASHER VIS, AVEC RONDELLE	1	1	
5	90465-11M10	CLAMP BRIDE	2	2	
6	6EK-42510-00-8D	STEERING BRACKET ASSY DIRECTION SUPPORT (ENS.)	1		L(20.3")
	6EK-42510-10-8D	STEERING BRACKET ASSY DIRECTION SUPPORT (ENS.)	1	1	X(25.3")
					X(25.3")
7	90338-08174	PLUG PLOT	2	2	
8	90201-38M60	WASHER, PLATE RONDELLE, PLATE	2	2	
9	93210-37MH7	O-RING JOINT TORIQUE	1	1	
10	90386-38M32	BUSH DOUILLE	2	2	
11	90202-40M47	WASHER, PLATE RONDELLE, PLATE	1	1	
12	6EK-44551-00-8D	HOUSING, LOWER MOUNT RUBBER 1 BOITIER, SILENT-BLOC INFÉRIEUR	1	1	
13	93410-37M04	CIRCLIP CLIPS	1	1	
14	61A-44575-00	DAMPER, LOWER MOUNT RUBBER SILENT-BLOC, INFÉRIEUR	1	1	
15	63P-44555-00	MOUNT DAMPER, LOWER SIDE SILENT-BLOC, INFÉRIEUR LATERAL	2	2	
16	90202-32M19	WASHER, PLATE RONDELLE, PLATE	2	2	
17	90201-16M55	WASHER, PLATE RONDELLE, PLATE	2	2	
18	90105-14013	BOLT, FLANGE BOULON	2	2	
19	90176-14002	NUT, CROWN ECROU BORGNE	2	2	
20	92995-14600	WASHER RONDELLE	2	2	
21	6EK-44553-00-8D	COVER, LOWER MOUNT COUVERCLE, SUSPENSION INFÉRIEUR	2	2	
22	95875-10040	BOLT, FLANGE BOULON, A COLLERETTE	4	4	
23	6EK-44514-00	MOUNT DAMPER, UPPER SIDE SILENT-BLOC, SUPÉRIEUR LATERAL	1	1	
24	95875-10060	BOLT, FLANGE BOULON, A COLLERETTE	3	3	
25	90105-14007	BOLT, FLANGE BOULON	2	2	
26	6EK-44526-00	PLATE PLAQUE	1	1	

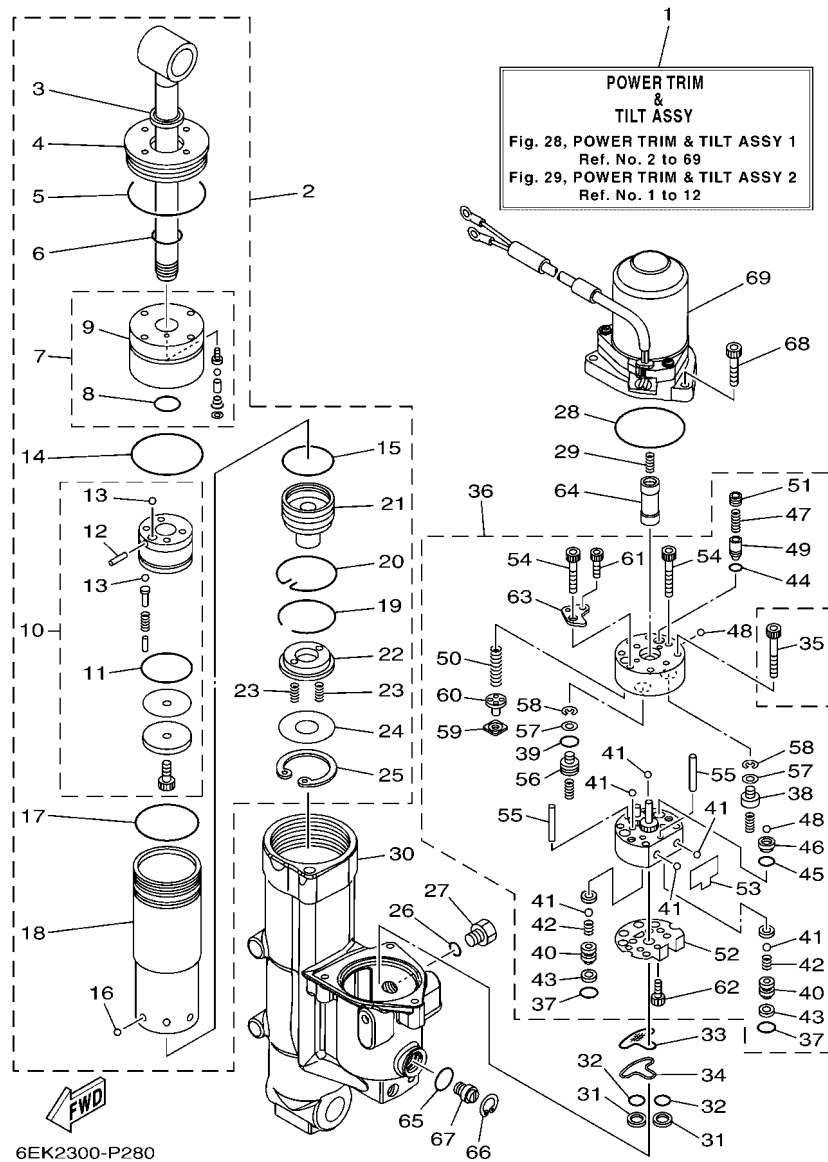
FIG. 27 BRACKET 2

SUPPORT 2



6EK1100-N260

REF. NO.	PART NO. N° PIECES	DESCRIPTION DESCRIPTION	6EK3	6EL3	REMARKS REMARQUES
27	92995-14600	WASHER RONDELLE	2	2	
28	90176-14002	NUT, CROWN ECROU BORGNE	2	2	

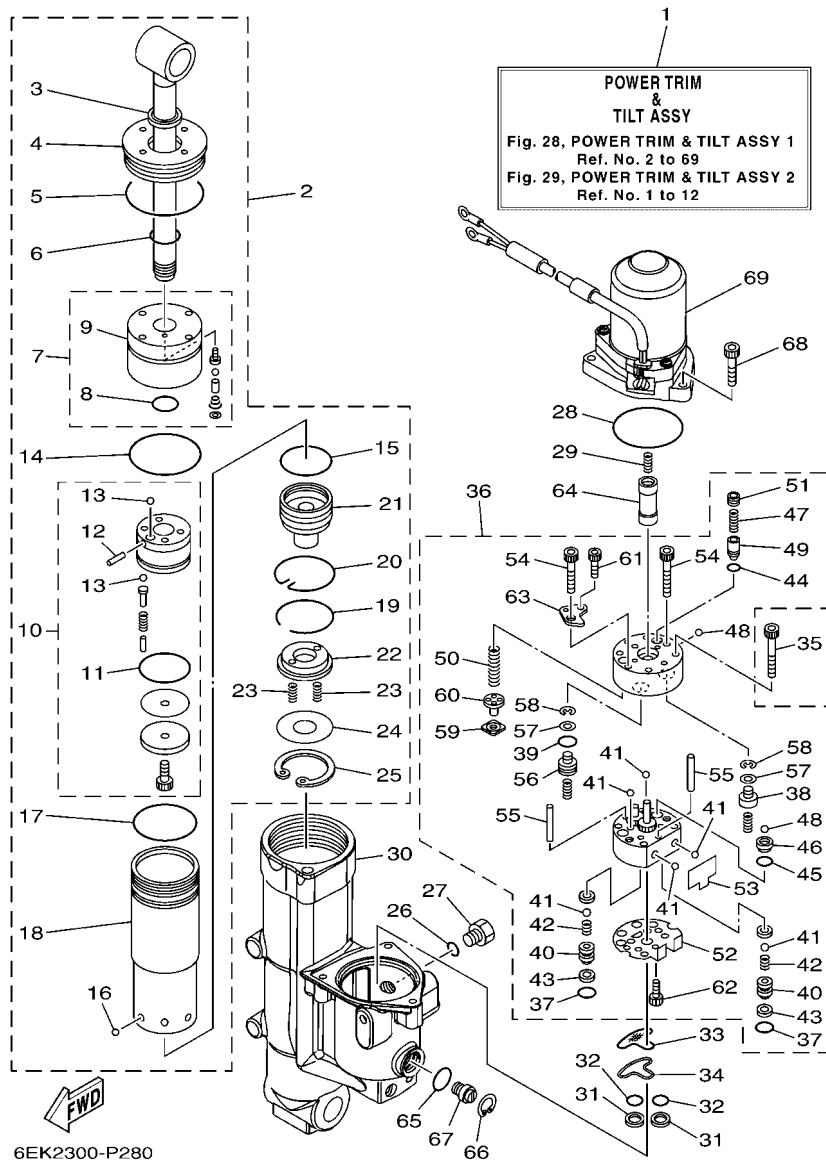


6EK2300-P280

FIG. 28 POWER TRIM & TILT ASSY 1

PUISSANCE PARER ET INCLINER 1

REF. NO.	PART NO. N° PIECES	DESCRIPTION DESCRIPTION	6EK3	6EL3	REMARKS REMARQUES
1	6EK-43800-02	POWER TRIM & TILT ASSY PUISSANCE PARER ET INCLINER (E)	1	1	
2	6EK-43810-00	TILT PISTON SUB ASSY INCLINER PISTON AUXILIAIRE(ENS)	1	1	
3	6H1-43812-00	.SEAL, DUST .JOINT	1	1	
4	6EK-43821-00	.SCREW, TRIM CYLINDER END .VIS	1	1	
5	6EK-43861-00	.O-RING .JOINT TORIQUE	1	1	
6	6D8-43861-00	.O-RING .JOINT TORIQUE	1	1	
7	6EK-4380R-00	.CYLINDER END SUB ASSY .CYLINDRE RACCORD (ENS.)	1	1	
8	6D8-43861-00	.O-RING .JOINT TORIQUE	1	1	
9	6EK-43811-00	.SCREW, CYLINDER END .VIS, CYLINDRE RACCORD	1	1	
10	6EK-4380P-00	.PISTON SUB ASSY .PISTON AUXILIAIRE (ENS.)	1	1	
11	6H1-43862-00	.O-RING .JOINT TORIQUE	1	1	
12	91609-16012	.PIN, SPRING .AXE DE RESSORT	1	1	
13	93505-32038	.BALL .BILLE	5	5	
14	67F-43865-00	.O-RING .JOINT TORIQUE	1	1	
15	6H1-43862-00	.O-RING .JOINT TORIQUE	1	1	
16	93503-16003	.BALL .BILLES	6	6	
17	7BB-43861-00	.O-RING .JOINT TORIQUE	1	1	
18	6EK-22471-00	.CYLINDER, SHOCK ABSORBER .CYLINDRE, AMORTISSEUR	1	1	
19	93450-47164	.CIRCLIP .CIRCLIP, TYPE S	1	1	
20	6EK-43875-00	.RING, SNAP .RESSORT	1	1	
21	6EK-4381B-00	.FREE PISTON SUB ASSY .PISTON AUXILIAIRE (ENS.)	1	1	
22	6EK-43899-00	.PLATE STOPPER .PLAQUETTE	1	1	
23	62X-4384H-00	.SPRING .RESSORT	2	2	
24	6EK-22434-00	.PLATE, VALVE 1 .PLATEAU, SOUPAPE 1	1	1	
25	99009-47500	.CIRCLIP .CIRCLIP	1	1	
26	93210-09165	O-RING JOINT TORIQUE	1	1	
27	6EK-43829-00	PLUG, RESERVOIR BOUCHON	1	1	

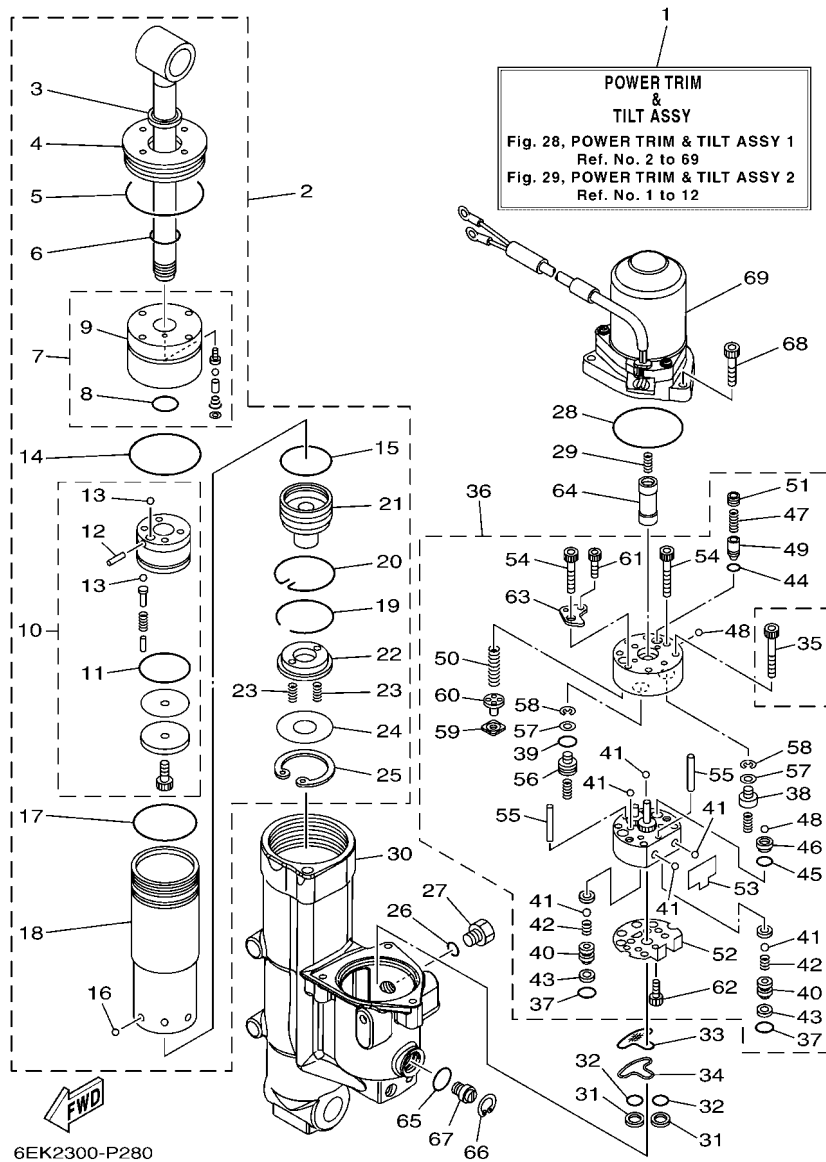


6EK2300-P280

FIG. 28 POWER TRIM & TILT ASSY 1

PUISSANCE PARER ET INCLINER 1

REF. NO.	PART NO. N° PIECES	DESCRIPTION DESCRIPTION	6EK3	6EL3	REMARKS REMARQUES
28	93210-68N50	O-RING JOINT TORIQUE	1	1	
29	62X-4384H-00	SPRING RESSORT	1	1	
30	6EK-4380K-02	CYLINDER, TILT SUB ASSY CYLINDRE	1	1	
31	6C6-43817-00	FILTER 2 FILTRE 2	2	2	
32	69J-4389J-00	O-RING JOINT TORIQUE	2	2	
33	6C5-43816-00	FILTER 1 FILTRE 1	1	1	
34	6C5-4380G-00	PLATE PLAQUE	1	1	
35	91318-05045	BOLT BOULON	4	4	
36	6EK-43830-00	GEAR PUMP ASSY POMPE A PIGNON (ENS.)	1	1	
37	69J-4389J-00	O-RING JOINT TORIQUE	2	2	
38	6D8-4384M-00	PISTON, SHUTTLE 2 PISTON 2	1	1	
39	6H1-43883-00	O-RING JOINT TORIQUE	1	1	
40	6EK-4382E-00	ADAPTOR 2 ADAPTEUR 2	2	2	
41	93505-32038	BALL BILLE	6	6	
42	6C6-43853-00	SPRING, MAIN VALVE RESSORT	2	2	
43	6C6-4387G-00	WASHER RONDELLE	2	2	
44	93210-04N51	O-RING JOINT TORIQUE	1	1	
45	93210-064A5	O-RING JOINT TORIQUE	1	1	
46	6D8-43851-00	SEAT, RELIEF VALVE SIEGE	1	1	
47	6C5-43855-10	SPRING, UP RELIEF RESSORT	1	1	
48	93501-08001	BALL BILLE	2	2	
49	6D8-43844-00	PIN, VALVE SUPPORT GOUPILLE	1	1	
50	6EK-43856-00	SPRING, DOWN RELIEF RESSORT	1	1	
51	6D8-43843-00	SCREW, VALVE LOCK VIS	1	1	
52	6C5-43895-00	SEAT, RELIEF VALVE SIEGE	1	1	
53	6C5-43854-00	SPRING, MANUAL RELEASE RESSORT	1	1	
54	91318-05030	BOLT BOULON	2	2	



6EK2300-P280

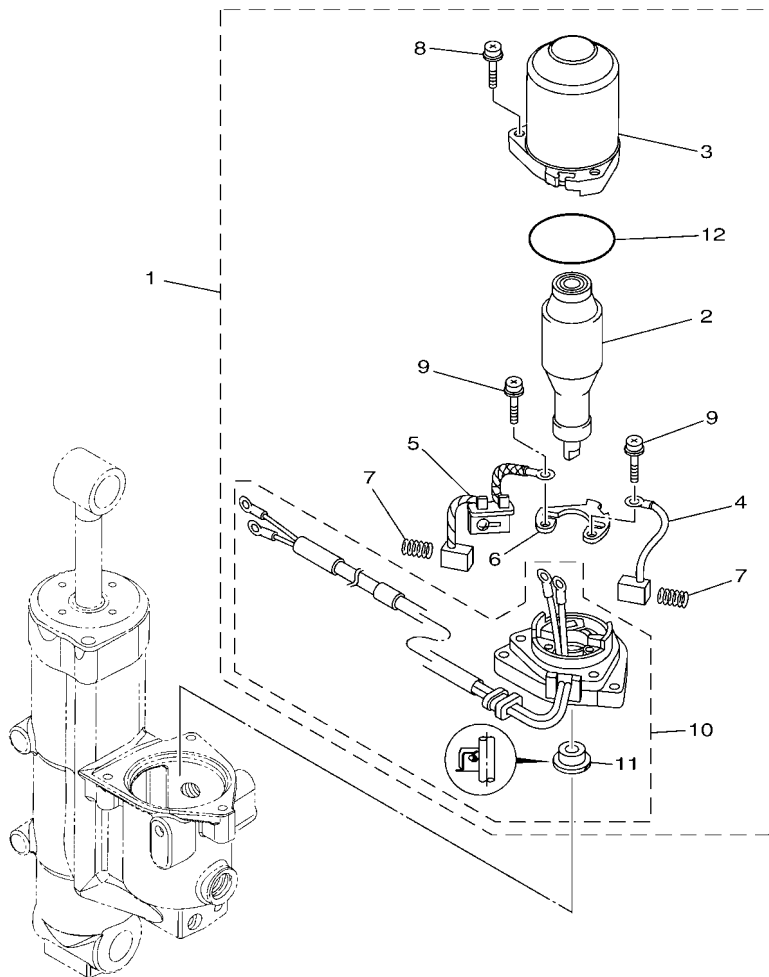
FIG. 28 POWER TRIM & TILT ASSY 1

PUISSANCE PARER ET INCLINER 1

REF. NO.	PART NO. N° PIECES	DESCRIPTION DESCRIPTION	6EK3	6EL3	REMARKS REMARQUES
55	93604-26256	.PIN, DOWEL .CLAVETTE	2	2	
56	6D8-43841-00	.PISTON, SHUTTLE .PISTON	1	1	
57	69A-4384F-00	.SEAL, MAIN VALVE .JOINT	2	2	
58	99002-03600	.CIRCLIP .CIRCLIP	2	2	
59	6H1-4384G-11	.SEAL, RELIEF VALVE .JOINT	1	1	
60	6H1-43844-10	.PIN, VALVE SUPPORT .GOUPILLE	1	1	
61	91318-03025	.BOLT .BOULON	2	2	
62	91318-03005	.BOLT .BOULON	1	1	
63	6D8-4382L-00	.CAP, RELIEF VALVE .CAPUCHON	1	1	
64	6EK-43831-00	CONNECTOR, SHAFT RACCORD	1	1	
65	6D8-43863-00	O-RING JOINT TORIQUE	1	1	
66	6H1-43875-00	RING, SNAP RESSORT	1	1	
67	6EK-43845-00	SCREW, MANUAL RELEASE VIS	1	1	
68	91380-06025	BOLT BOULON	3	3	
69	6EK-43880-11	MOTOR ASSY MOTEUR (ENS.)	1	1	REFER TO FIG.29 REFER TO FIG.29

FIG. 29 POWER TRIM & TILT ASSY 2

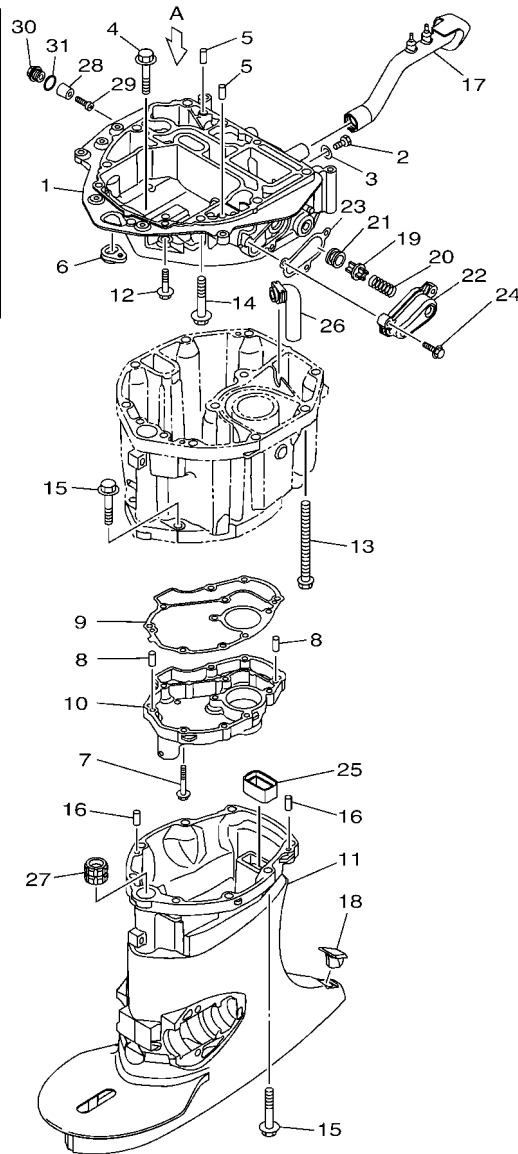
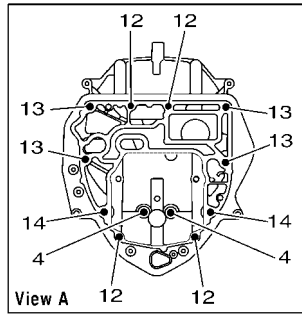
PUISSANCE PARER ET INCLINER 2



REF. NO.	PART NO. N° PIECES	DESCRIPTION DESCRIPTION	6EK3	6EL3	REMARKS REMARQUES
1	6EK-43880-11	MOTOR ASSY MOTEUR (ENS.)	1	1	
2	6EK-43805-00	.ARMATURE ASSY .INDUIT (ENS.)	1	1	
3	6EK-43804-11	.STATOR ASSY .STATOR (ENS.)	1	1	
4	6EK-43892-00	.BRUSH 2 .BALAI 2	1	1	
5	6EK-82181-00	.CIRCUIT BREAKER COMP. .RUPTEUR COMPLET	1	1	
6	6EK-4380F-00	.PLATE, BRUSH HOLDER .PLAQUE	1	1	
7	62X-4386K-00	.SPRING, BRUSH .RESSORT, BALAI	2	2	
8	63P-43879-10	.SCREW, WITH WASHER .VIS, AVEC RONDELLE	3	3	
9	97602-04316	.SCREW, PAN HEAD WITH WASHER .VIS	2	2	
10	6EK-43881-11	.FRAME, END .BATI	1	1	
11	6EK-43882-00	.OIL SEAL ..JOINT SPI	1	1	
12	93210-554A9	.O-RING .JOINT TORIQUE	1	1	



6EK1100-N281




6EK1100-N290

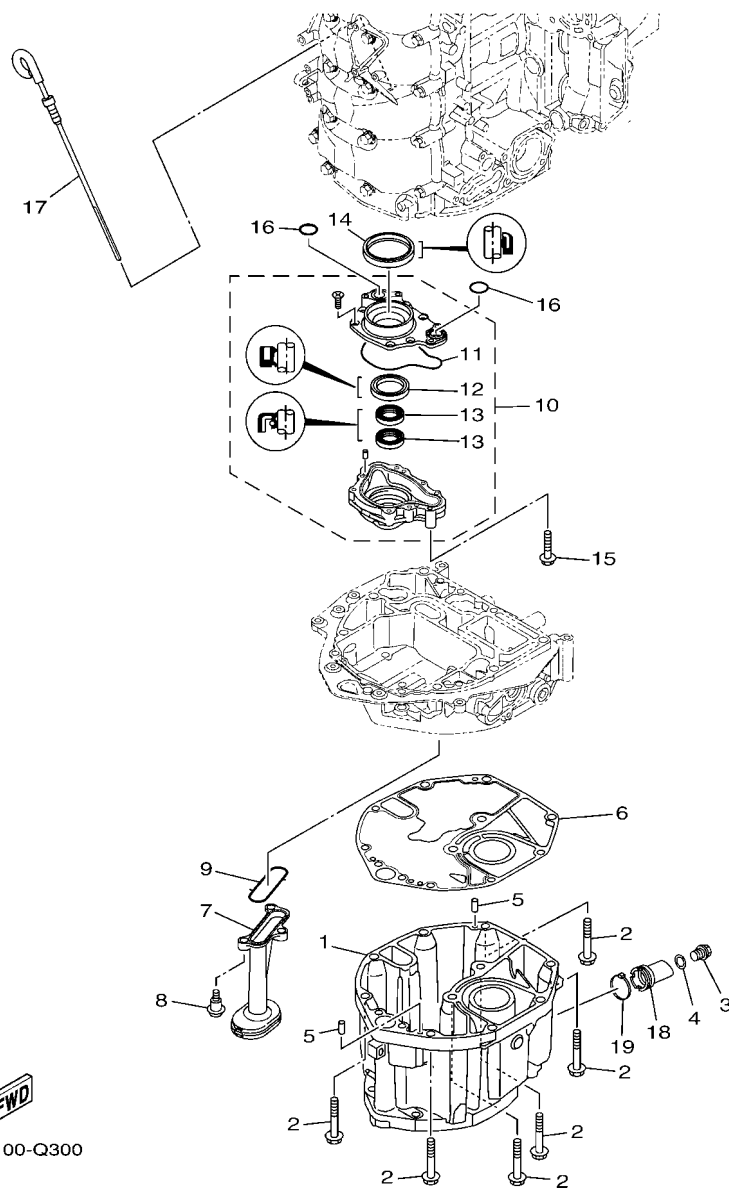
FIG. 30 UPPER CASING

FOURREAU

REF. NO.	PART NO. N° PIÈCES	DESCRIPTION DESCRIPTION	6EK3	6EL3	REMARKS REMARQUES
1	6EK-41137-00-CA	GUIDE, EXHAUST COLLECTEUR D'ÉCHAPPEMENT	1	1	
2	97095-08014	BOLT BOULON	1	1	
3	90430-08143	GASKET JOINT	1	1	
4	97575-10545	BOLT, WITH WASHER VIS HEXAGONAL AVC RONDELLE	2	2	
5	93608-12M05	PIN, DOWEL AXE	2	2	
6	6EK-42727-00	GROMMET PASSE-FIL	1	1	
7	95895-06030	BOLT, FLANGE BOULON	11	11	
8	93606-12019	PIN, DOWEL GOUPILLE	2	2	
9	6EK-41134-00	GASKET, EXHAUST MANIFOLD JOINT, PIPE D'ÉCHAPPEMENT	1	1	
10	6EK-45181-00-9S	PLATE PLAQUETTE	1	1	
11	6EK-45111-00-8D	CASING, UPPER FOURREAU	1		L(20.3")
	6EK-45111-10-8D	CASING, UPPER FOURREAU	1	1	L(20.3") X(25.3") X(25.3")
12	97575-08535	BOLT, WITH WASHER VIS HEXAGONAL AVC RONDELLE	4	4	
13	90119-10007	BOLT, WITH WASHER BOULON, AVEC RONDELLE	4	4	
14	97575-10545	BOLT, WITH WASHER VIS HEXAGONAL AVC RONDELLE	2	2	
15	97575-10545	BOLT, WITH WASHER VIS HEXAGONAL AVC RONDELLE	8	8	
16	93606-12019	PIN, DOWEL GOUPILLE	2	2	
17	6EK-42769-00	SEAL, RUBBER BOURRELET, CAOUTCHOUC	1	1	
18	6C5-45155-00	CAP CAPUCHON	1	1	
19	6G5-12416-00	VALVE, PRESSURE CONTROL SOUPE DE CONTROLEUR PRESS	1	1	
20	90501-200A2	SPRING, COMPRESSION RESSORT, COMPRESSION	1	1	
21	90480-20M05	GROMMET PASSE-FIL	1	1	
22	6EK-1246A-00-9S	COVER 1 COUVERCLE 1	1	1	
23	6EK-12435-A0	GASKET JOINT	1	1	
24	95895-06025	BOLT, FLANGE BOULON	3	3	
25	67F-45127-00	SEAL JOINT	1	1	
26	6EK-45135-00	PIPE TUYAU	1	1	

FIG. 31 OIL PAN

VENTILATEUR D'HUILE




6EK3100-Q300

REF. NO.	PART NO. N° PIECES	DESCRIPTION DESCRIPTION	6EK3	6EL3	REMARKS REMARQUES
1	6EK-15311-00-CA	OIL PAN VENTILATEUR D'HUILE	1	1	
2	97575-10545	BOLT, WITH WASHER VIS HEXAGONAL AVC RONDELLE	6	6	
3	90340-14M06	PLUG, STRAIGHT SCREW PLOT, FILETE DROIT	1	1	
4	90430-14M09	GASKET JOINT	1	1	
5	93606-12019	PIN, DOWEL GOUPILLE	2	2	
6	6EK-15312-00	GASKET, OIL PAN JOINT DE VENTILATEUR D'HUILE	1	1	
7	67F-13411-00	STRAINER, OIL FILTRE, HUILE	1	1	
8	90109-06292	BOLT BOULON	3	3	
9	67F-13415-00	SEAL, OIL STRAINER JOINT, FILTRE A HUILE	1	1	
10	6EK-13300-00	OIL PUMP ASSY POMPE A HUILE COMPLETE	1	1	
11	6EK-13329-00	GASKET, PUMP COVER JOINT, COUVERCLE DE POMPE	1	1	
12	6AW-13119-00	OIL SEAL JOINT SPY	1	1	
13	69J-13631-00	OIL SEAL JOINT SPY	2	2	
14	69J-11355-00	SEAL, CYLINDER 1 JOINT, SPY CYLINDRE	1	1	
15	90105-06151	BOLT, FLANGE BOULON	4	4	
16	93210-19MJ1	O-RING JOINT TORIQUE	2	2	
17	6EK-15362-10	PLUG, OIL LEVEL PLOT, NIVEAU D'HUILE	1	1	
18	6EK-15316-00	DAMPER 1 AMORTISSEUR 1	1	1	
19	90465-11M59	CLAMP BRIDE	1	1	

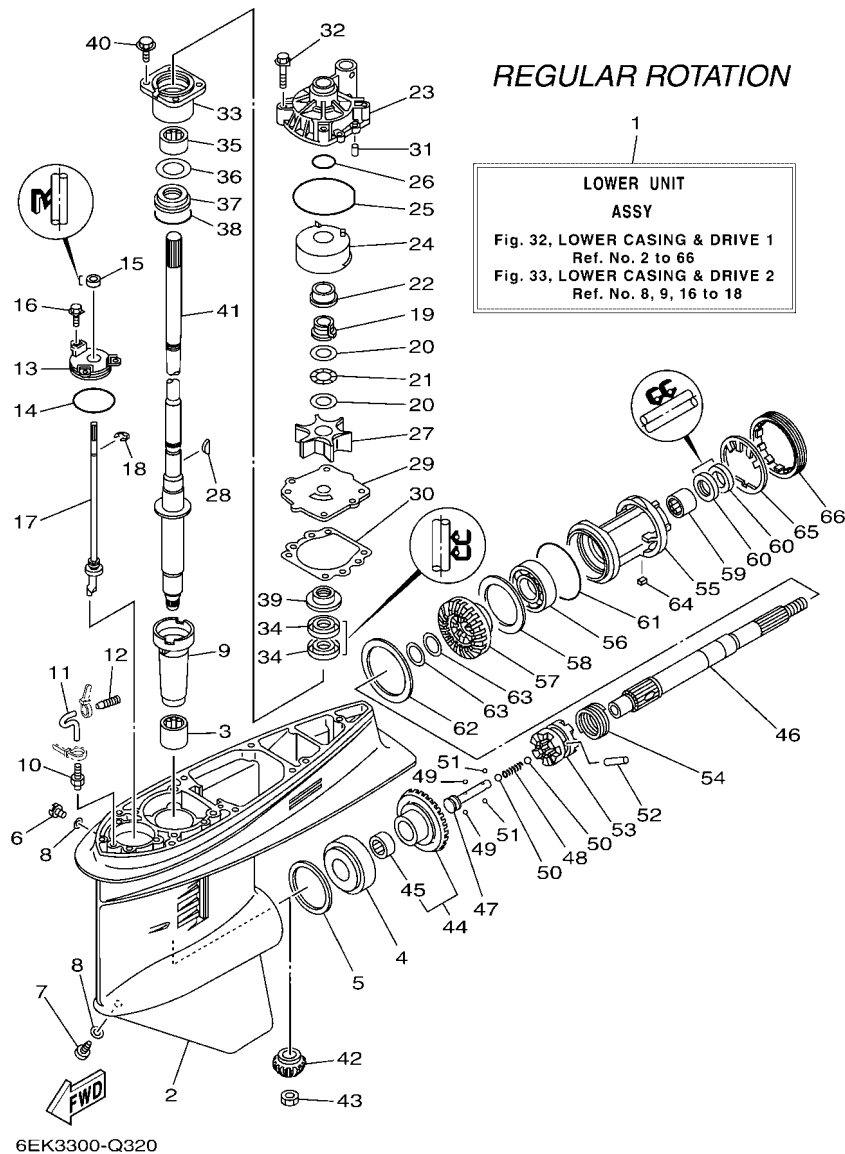


FIG. 32 LOWER CASING & DRIVE 1

BOITIER D HELICE TRANSMISSION1

REF. NO.	PART NO. N° PIECES	DESCRIPTION DESCRIPTION	6EK3	6EL3	REMARKS REMARQUES
1	6EK-45300-00-8D	LOWER UNIT ASSY UNITE INFERIEURE (ENS.)	1		L(20.3"),RH L(20.3"),RH
	6EK-45300-10-8D	LOWER UNIT ASSY UNITE INFERIEURE (ENS.)	1		X(25.3"),RH X(25.3"),RH
2	6E5-45301-07-8D	CASING, LOWER BEQUILLE	1		
3	93315-628U9	BEARING ROULEMENT	1		
4	93332-000U7	BEARING ROULEMENT	1		
5	6E5-45567-01	SHIM (T:0.10MM) CALE (T:0.10MM)	1		UR UR
	6E5-45567-10	SHIM (T:0.12MM) CALE (T:0.12MM)	1		UR UR
	6E5-45567-20	SHIM (T:0.15MM) CALE (T:0.15MM)	1		UR UR
	6E5-45567-30	SHIM (T:0.18MM) CALE (T:0.18MM)	1		UR UR
	6E5-45567-40	SHIM (T:0.30MM) CALE (T:0.30MM)	1		UR UR
	6E5-45567-50	SHIM (T:0.40MM) CALE (T:0.40MM)	1		UR UR
	6E5-45567-60	SHIM (T:0.50MM) CALE (T:0.50MM)	1		UR UR
6	90340-08002	PLUG, STRAIGHT SCREW PLOT, FILETE DROIT	1		
7	688-45341-10	PLUG, DRAIN BOUCHON DE VIDANGE	1		
8	90430-08003	GASKET JOINT	2		
9	6E5-45536-00	SLEEVE, DRIVE SHAFT MANCHON, ARBRE MOTEUR	1		
10	6E5-45378-00	NIPPLE, HOSE RACCORD, TUYAU	1		
11	90445-07ME8	HOSE (L80) DURITE (L80)	1		L(20.3") L(20.3")
	90445-07ME9	HOSE (L120) DURITE (L120)	1		X(25.3") X(25.3")
12	6E5-83558-10	END, NIPPLE RACCORD DE NIPPLE	1		
13	6E5-45321-00	PLATE PLAQUETTE	1		
14	93210-58144	O-RING JOINT TORIQUE	1		
15	93106-09014	OIL SEAL JOINT SPY	1		
16	90119-06M10	BOLT, WITH WASHER BOULON, AVEC RONDELLE	3		
17	6E5-44150-03	SHIFT CAM ASSY CAME D'INVERSION	1		
18	99001-08600	CIRCLIP CIRCLIP	1		
19	61A-45538-00	SPACER 1 ENTRETOISE	1		

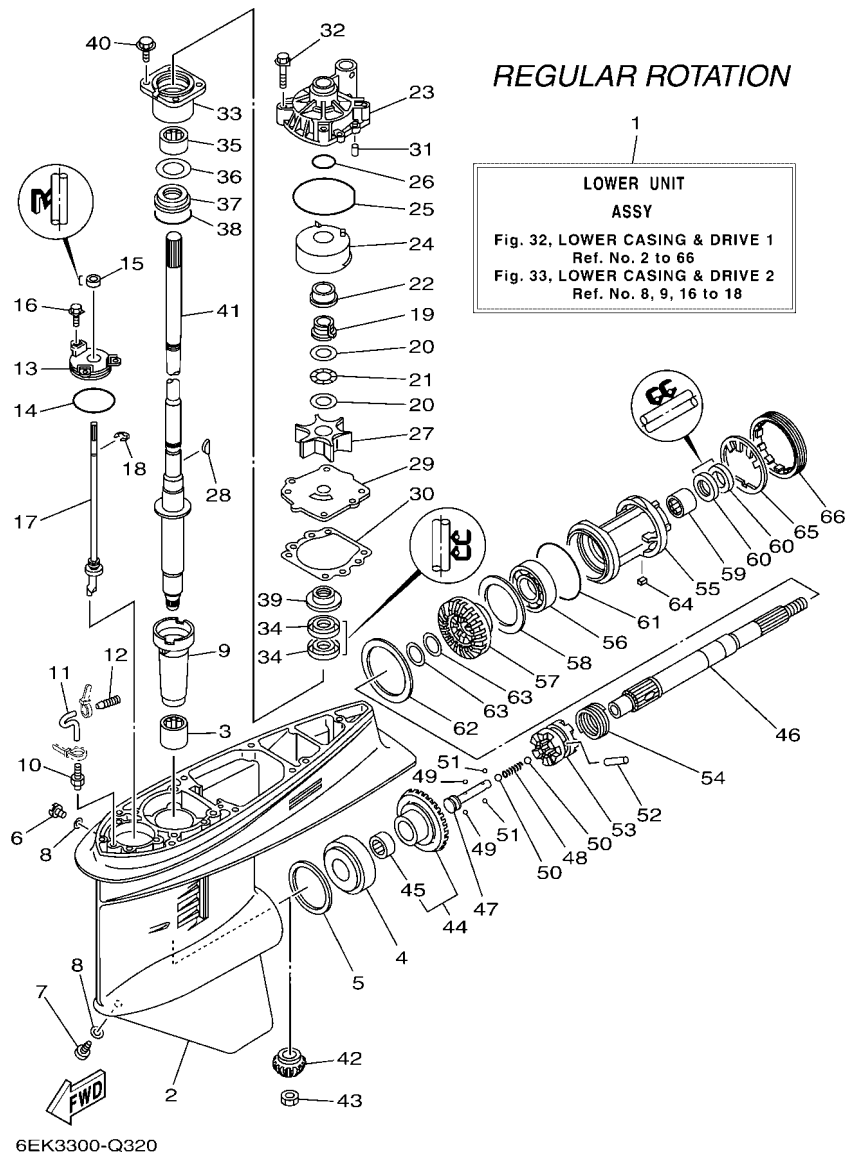


FIG. 32 LOWER CASING & DRIVE 1

BOITIER D HELICE TRANSMISSION1

REF. NO.	PART NO. N° PIECES	DESCRIPTION DESCRIPTION	6EK3	6EL3	REMARKS REMARQUES
20	90201-22M01	WASHER, PLATE RONDELLE, PLATE	2		
21	90206-22M19	WASHER, WAVE RONDELLE, ONDULEE	1		
22	61A-45527-00	COLLAR, DRIVE SHAFT ENTRETOISE	1		
23	61A-44311-01	HOUSING, WATER PUMP CORPS, POMPE A EAU	1		
24	61A-44322-02	INSERT, CARTRIDGE CUVETTE	1		
25	93210-86M38	O-RING JOINT TORIQUE	1		
26	93210-37160	O-RING JOINT TORIQUE	1		
27	6E5-44352-01	IMPELLER TURBINE	1		
28	90280-04M05	KEY, WOODRUFF CLAVETTE, DEMI-LUNE	1		
29	6EK-44323-00	OUTER PLATE, CARTRIDGE PLAQUE EXTERIEURE	1		
30	6E5-44315-A0	GASKET, WATER PUMP JOINT, POMPE A EAU	1		
31	93606-12019	PIN, DOWEL GOUPILLE	2		
32	90119-08M14	BOLT, WITH WASHER BOULON, AVEC RONDELLE	4		
33	6E5-45331-00-9S	HOUSING, BEARING FLASQUE, ROULEMENT	1		
34	93101-28M16	OIL SEAL JOINT SPY	2		
35	93317-330U2	BEARING ROULEMENT	1		
36	6E5-45587-01	SHIM (T:0.10MM) CALE (T:0.10MM)	1		UR
	6E5-45587-10	SHIM (T:0.12MM) CALE (T:0.12MM)	1		UR
	6E5-45587-20	SHIM (T:0.15MM) CALE (T:0.15MM)	1		UR
	6E5-45587-30	SHIM (T:0.18MM) CALE (T:0.18MM)	1		UR
	6E5-45587-40	SHIM (T:0.30MM) CALE (T:0.30MM)	1		UR
	6E5-45587-50	SHIM (T:0.40MM) CALE (T:0.40MM)	1		UR
	6E5-45587-60	SHIM (T:0.50MM) CALE (T:0.50MM)	1		UR
37	93341-930V2	BEARING CERVEAUX DE DIRECTION	1		
38	93210-55M14	O-RING JOINT TORIQUE	1		
39	6E5-45344-00	COVER, OIL SEAL FLASQE, JOINT D'HUILE	1		
40	97595-08525	BOLT, WITH WASHER VIS HEXAGONAL AVC RONDELLE	4		

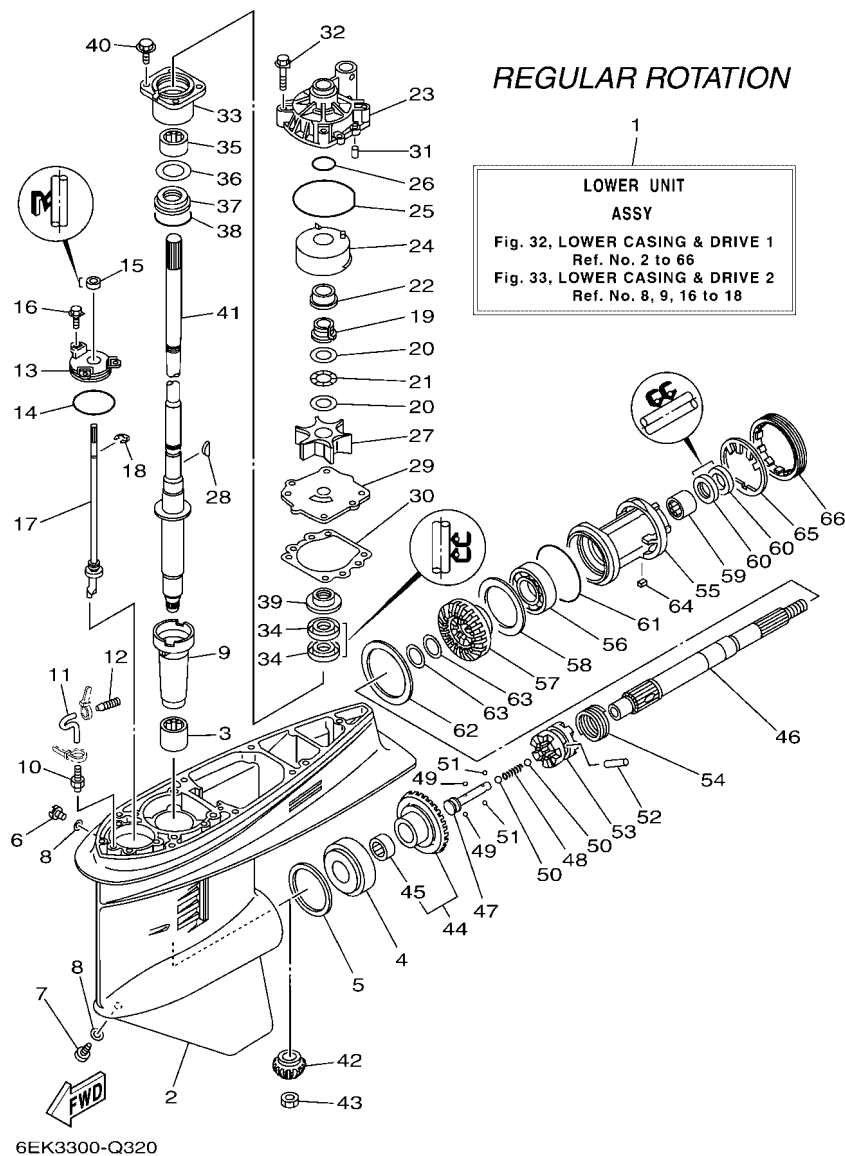
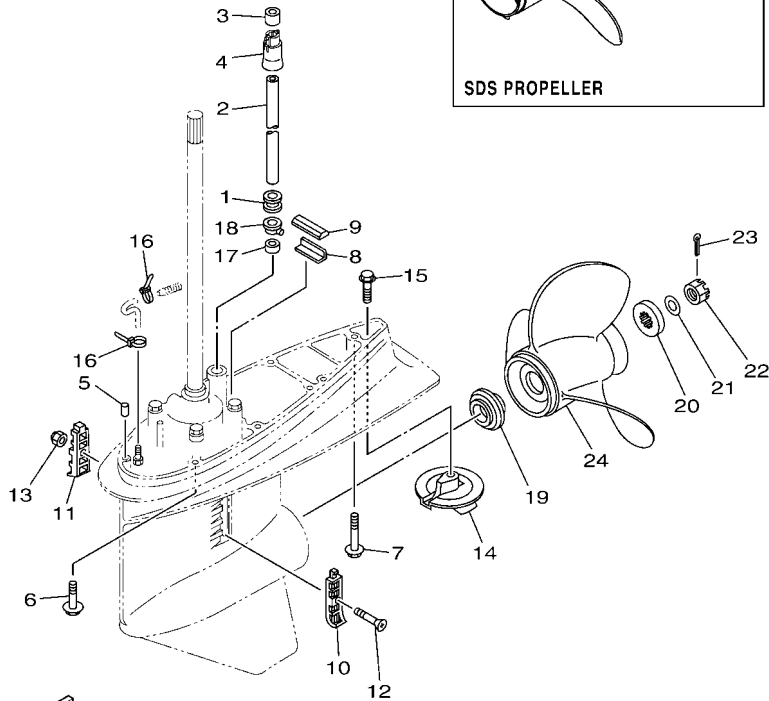
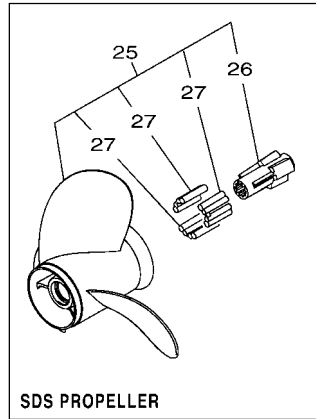


FIG. 32 LOWER CASING & DRIVE 1

BOITIER D HELICE TRANSMISSION1

REF. NO.	PART NO. N° PIECES	DESCRIPTION DESCRIPTION	6EK3	6EL3	REMARKS REMARQUES
41	6EK-45501-00	DRIVE SHAFT COMP. ARBRE MOTEUR COMP.	1		L(20.3")
	6EK-45501-10	DRIVE SHAFT COMP. ARBRE MOTEUR COMP.	1		L(20.3") X(25.3") X(25.3")
42	68V-45551-00	PINION (13T) PIGNON D'ATTAQUE (13D)	1		
43	90170-16M01	NUT ECROU	1		
44	68V-45560-00	GEAR 1 (28T) PIGNON 1 (28T)	1		
45	93315-425U7	.BEARING .ROULEMENT	1		
46	6E5-45611-01	SHAFT, PROPELLER ARBRE, HELICE	1		
47	6E5-45634-02	SLIDE, SHIFT CONTRE-POUSSOIR	1		
48	90501-16M37	SPRING, COMPRESSION RESSORT, COMPRESSION	1		
49	93507-32009	BALL BILLE	2		
50	93511-32017	BALL BILLES	2		
51	93503-16003	BALL BILLES	2		
52	90250-08M07	PIN, STRAIGHT GOUPILLE, DROITE	1		
53	68V-45631-01	CLUTCH, DOG CRABOT	1		
54	6E5-45633-01	RING, CROSS PIN JONC, GOUPILLE CRABOT	1		
55	6E5-45332-00-CA	HOUSING, BEARING FLASQUE, ROULEMENT	1		
56	93306-208U0	BEARING ROULEMENT	1		
57	68V-45571-00	GEAR 2 (28T) PIGNON 2 (28T)	1		
58	6E5-45576-00	WASHER, THRUST 2 RONDELLE DE CALAGE 2	1		
59	93315-430U8	BEARING ROULEMENT	1		
60	93101-30M17	OIL SEAL JOINT SPY	2		
61	93210-86M39	O-RING JOINT TORIQUE	1		
62	6L6-45577-00	SHIM (T:0.10MM) CALE (T:0.10MM)	1		UR
	6L6-45577-10	SHIM (T:0.12MM) CALE (T:0.12MM)	1		UR
	6L6-45577-20	SHIM (T:0.15MM) CALE (T:0.15MM)	1		UR
	6L6-45577-30	SHIM (T:0.18MM) CALE (T:0.18MM)	1		UR
	6L6-45577-40	SHIM (T:0.30MM) CALE (T:0.30MM)	1		UR

REGULAR ROTATION



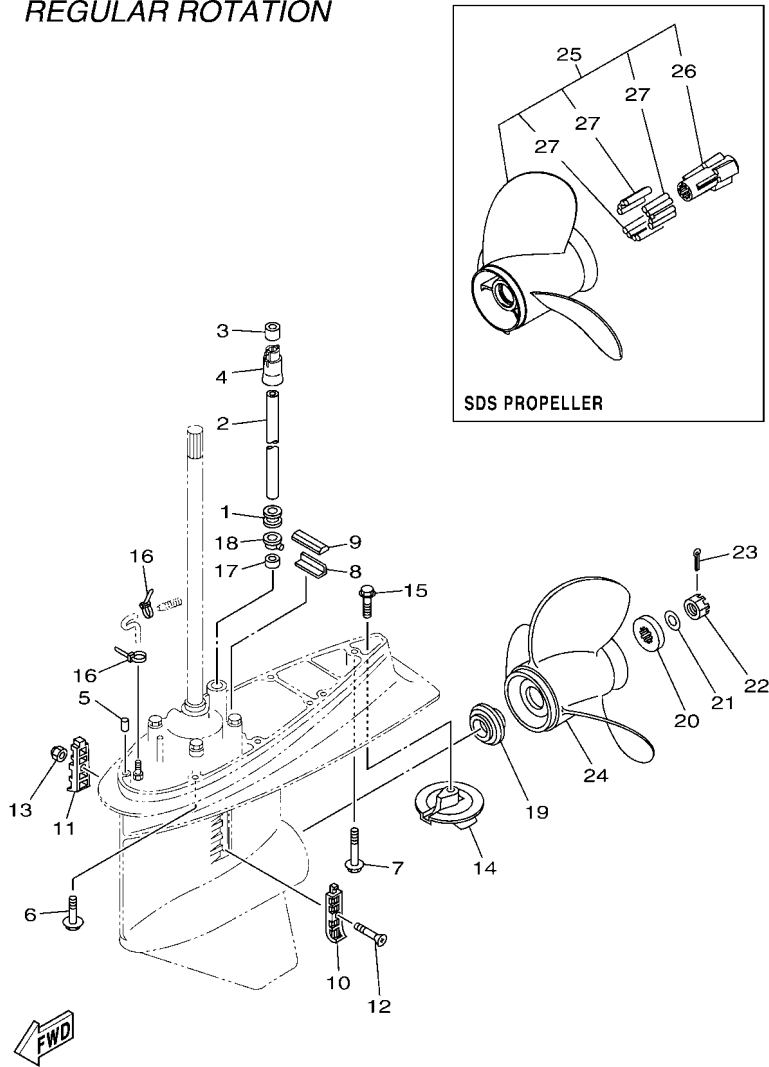
6EK3300-Q330

FIG. 33 LOWER CASING & DRIVE 2

BOITIER D HELICE TRANSMISSION2

REF. NO.	PART NO. N° PIECES	DESCRIPTION DESCRIPTION	6EK3	6EL3	REMARKS REMARQUES
1	6E5-44366-00	DAMPER, WATER SEAL 2 JOINT, TUBE D'EAU 2	1		
2	90440-16001	PIPE (L167) DURITE (L167)	1		L(20.3") L(20.3")
	90440-16002	PIPE (L294) DURITE (L294)	1		X(25.3") X(25.3")
3	6EK-44365-01	DAMPER, WATER SEAL 1 JOINT, TUBE D'EAU 1	1		
4	6EK-44379-00	GUIDE, WATER TUBE GUIDE DE TUBE D'EAU	1		
5	93608-12M05	PIN, DOWEL AXE	2		
6	97575-10545	BOLT, WITH WASHER VIS HEXAGONAL AVC RONDELLE	6		
7	90119-10M89	BOLT, WITH WASHER BOULON, AVEC RONDELLE	1		
8	663-45376-00	GUIDE, SEAL DAMPER BUTEE, JOINT CAOUTCHOUC	1		
9	688-45375-00	DAMPER, SEAL BOURRELET, CAOUTCHOUC	1		
10	688-45214-02	COVER, WATER INLET 1 GRILLE, ENTREE D'EAU 1	1		
11	688-45215-02	COVER, WATER INLET 2 GRILLE, ENTREE D'EAU 2	1		
12	90152-05M07	SCREW, COUNTERSUNK VIS, TETE NOYEE	1		
13	90185-05002	NUT, NYLON ECROU, AUTO-BLOQUANT	1		
14	6E5-45371-01	TAB-TRIM ANODE DERIVE	1		
15	90105-10M00	BOLT, FLANGE BOULON	1		
16	90465-11M10	CLAMP BRIDE	2		
17	6E5-44365-00	DAMPER, WATER SEAL 1 JOINT, TUBE D'EAU 1	1		
18	6E5-44312-00	COVER, WATER PUMP HOUSING COUVERCLE	1		
19	63P-45987-00	SPACER 1 ENTRETOISE 1	1		
20	688-45997-01	SPACER 2 ENTRETOISE 2	1		
21	92990-18200	WASHER RONDELLE, PLATE	1		
22	90171-18M04	NUT, CASTLE ECROU, CRENELE	1		
23	91490-40030	PIN, COTTER GOUILLE	1		
24	6E5-45941-00	PROPELLER (3X13"X19"-K) HELICE (3X13"X19"-K)	1		UR NORMAL PROP. UR NORMAL PROP.
	6E5-45943-00	PROPELLER (3X12-5/8"X21"-K) HELICE (3X12-5/8"X21"-K)	1		UR NORMAL PROP. UR NORMAL PROP.
	6E5-45945-01	PROPELLER (3X13-1/4"X17"-K) HELICE (3X13-1/4"X17"-K)	1		UR NORMAL PROP. UR NORMAL PROP.

REGULAR ROTATION



6EK3300-Q330

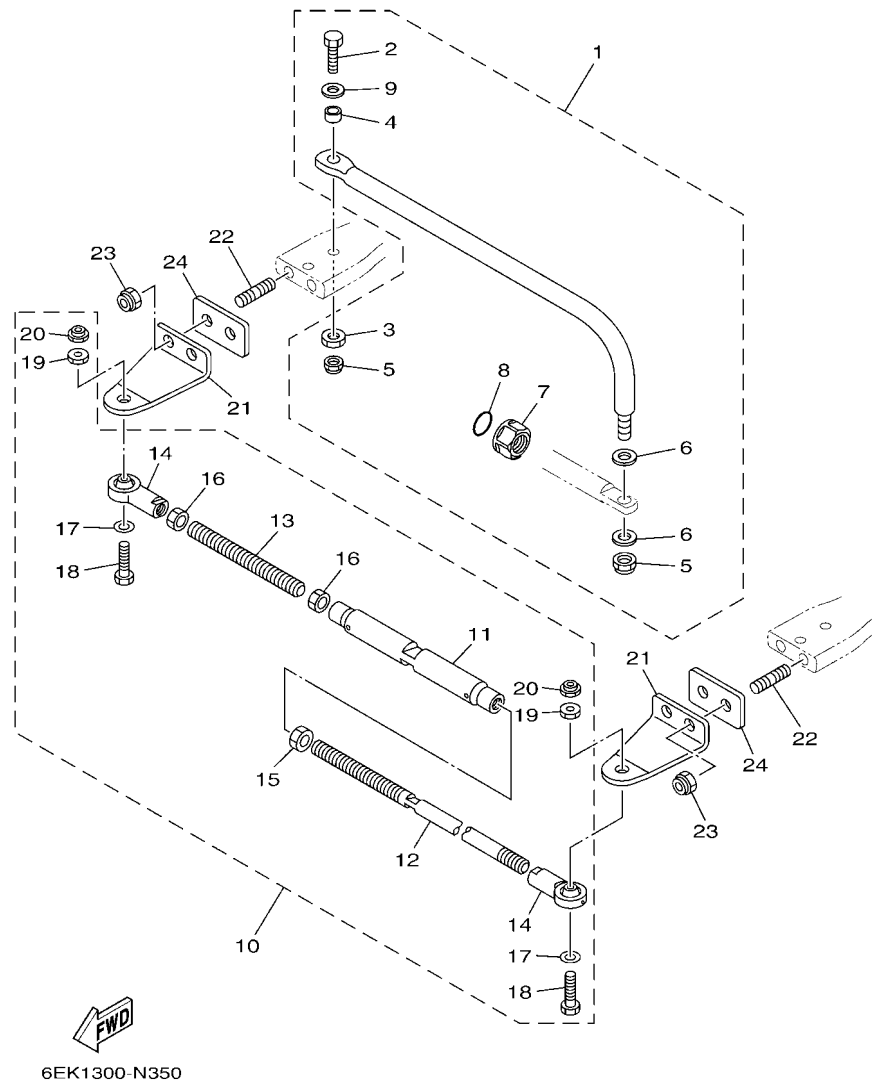
FIG. 33 LOWER CASING & DRIVE 2

BOITIER D HELICE TRANSMISSION2

REF. NO.	PART NO. N° PIECES	DESCRIPTION DESCRIPTION	6EK3	6EL3	REMARKS REMARQUES
24	6E5-45947-00	PROPELLER (3X13-1/2"X15"-K) HELICE (3X13-1/2"X15"-K)	1		UR NORMAL PROP. UR NORMAL PROP.
	6E5-45949-00	PROPELLER (3X13-5/8"X13"-K) HELICE (3X13-5/8"X13"-K)	1		UR NORMAL PROP. UR NORMAL PROP.
	6E5-45952-00	PROPELLER (3X13"X23"-K) HELICE (3X13"X23"-K)	1		UR NORMAL PROP. UR NORMAL PROP.
	6E5-45954-00	PROPELLER (3X14"X11"-K) HELICE (3X14"X11"-K)	1		UR NORMAL PROP. UR NORMAL PROP.
	6E5-45956-00	PROPELLER (3X13"X25"-K) HELICE (3X13"X25"-K)	1		UR NORMAL PROP. UR NORMAL PROP.
	6E5-45958-00	PROPELLER (3X13-5/8"X14"-K) HELICE (3X13-5/8"X14"-K)	1		UR NORMAL PROP. UR NORMAL PROP.
	688-45930-02	PROPELLER (3X13"X17"-K2) HELICE (3X13"X17"-K2)	1		UR NORMAL PROP. UR NORMAL PROP.
	688-45932-60	PROPELLER (3X13-1/2"X14"-K) HELICE (3X13-1/2"X14"-K)	1		UR NORMAL PROP. UR NORMAL PROP.
	688-45970-03	PROPELLER (3X13"X19"-K) HELICE (3X13"X19"-K)	1		UR NORMAL PROP. UR NORMAL PROP.
	688-45972-02	PROPELLER (3X13"X21"-K) HELICE (3X13"X21"-K)	1		UR NORMAL PROP. UR NORMAL PROP.
	688-45974-02	PROPELLER (3X13"X23"-K) HELICE (3X13"X23"-K)	1		UR NORMAL PROP. UR NORMAL PROP.
	688-45976-01	PROPELLER (3X13"X25"-K) HELICE (3X13"X25"-K)	1		UR NORMAL PROP. UR NORMAL PROP.
	688-45978-60	PROPELLER (3X13-1/2"X16"-K) HELICE (3X13-1/2"X16"-K)	1		UR NORMAL PROP. UR NORMAL PROP.
25	6EK-45941-00	PROPELLER (3X13-1/2"X9"-K) HELICE (3X13-1/2"X9"-K)	1		UR SDS PROP. UR SDS PROP.
	6EK-45943-00	PROPELLER (3X13-1/2"X10-1/2"-K) HELICE (3X13-1/2"X10-1/2"-K)	1		UR SDS PROP. UR SDS PROP.
	6EK-45945-00	PROPELLER (3X13-1/2"X12"-K) HELICE (3X13-1/2"X12"-K)	1		UR SDS PROP. UR SDS PROP.
	6EK-45947-00	PROPELLER (3X13-1/2"X14"-K) HELICE (3X13-1/2"X14"-K)	1		UR SDS PROP. UR SDS PROP.
	6EK-45949-00	PROPELLER (3X13-1/2"X16"-K) HELICE (3X13-1/2"X16"-K)	1		UR SDS PROP. UR SDS PROP.
26	6EK-45982-00	.BUSH, PROPELLER .DOUILLE DE HELICE	1		
27	6EK-45C82-09	.DAMPER RUBBER, PROPELLER 2 .AMORTISSEUR HELICE 2	3		

FIG. 36 STEERING GUIDE

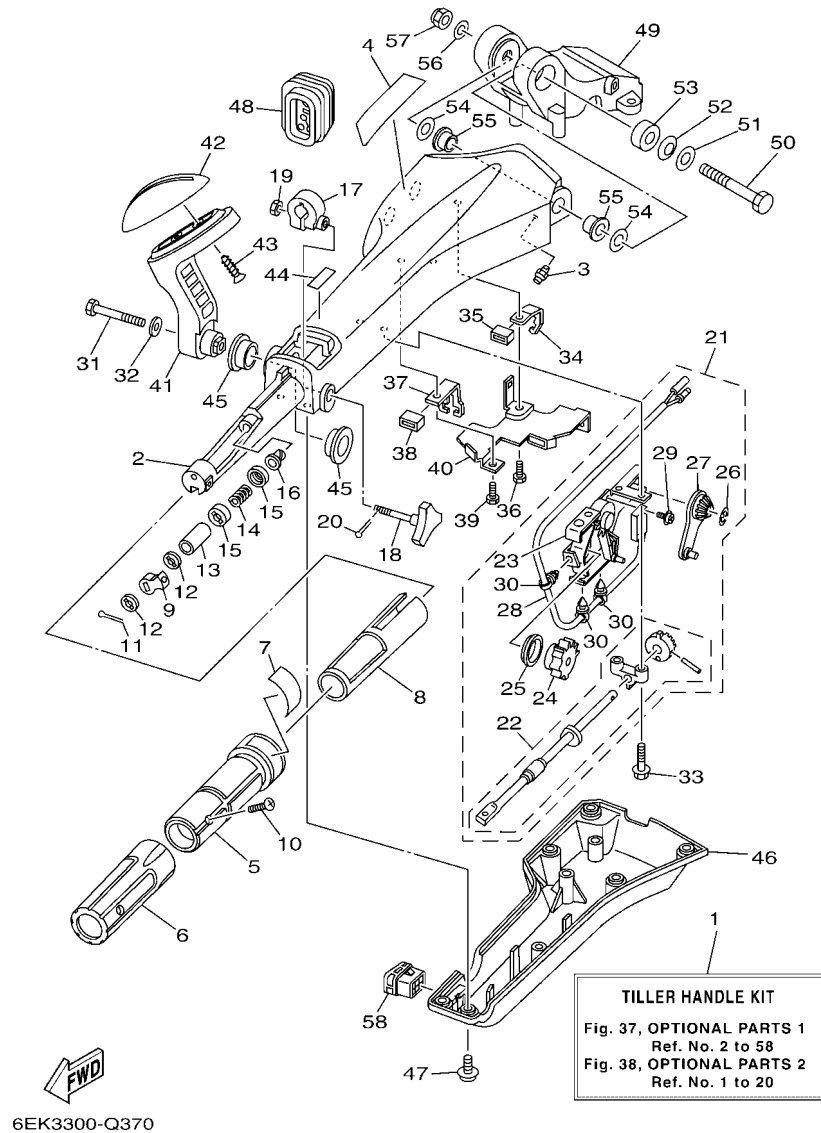
FIXATION DE DIRECTION



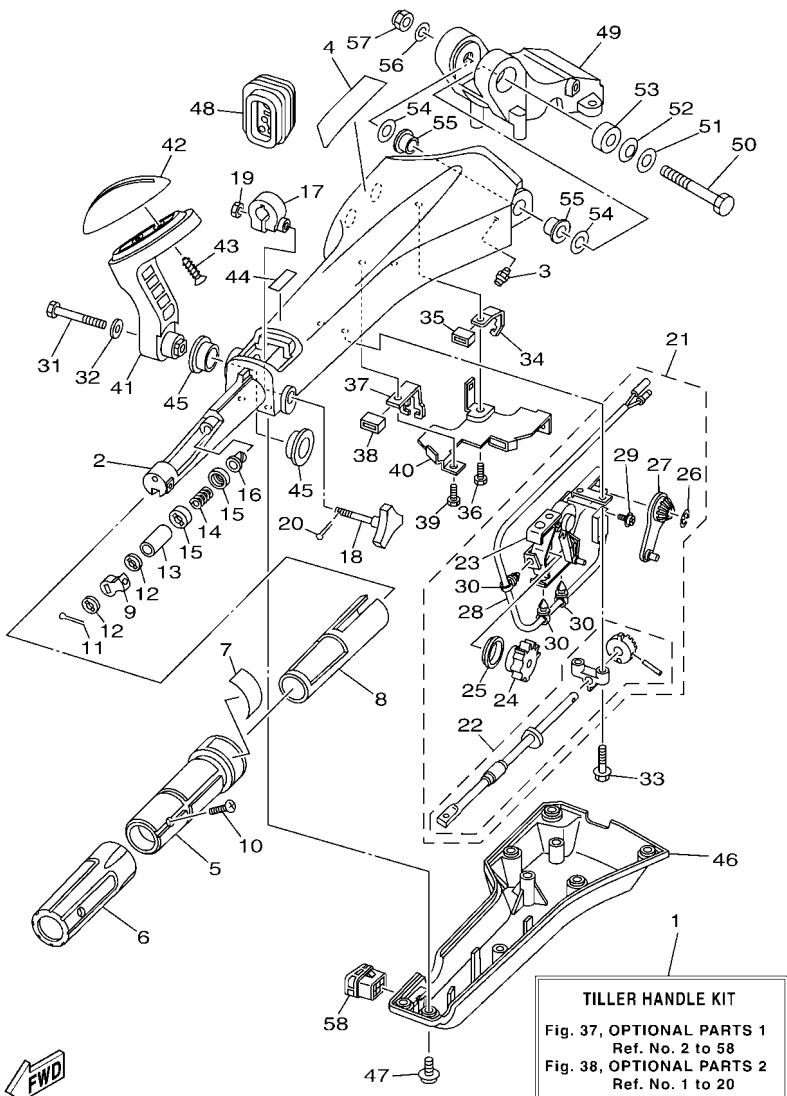
REF. NO.	PART NO. N° PIECES	DESCRIPTION DESCRIPTION	6EK3	6EL3	REMARKS REMARQUES
1	6EK-61350-00	STEERING GUIDE ATTACHMENT KIT FIXATIONS DE DIRECTION	1		AP AP
2	6E5-61355-00	.BOLT .BOULON	1		
3	90170-09M03	.NUT .ECROU	1		
4	90387-10M42	.COLLAR .COLLERETTE	1		
5	90185-09M01	.NUT, SELF-LOCKING .ECROU,AUTO-BLOQUANT	2		
6	90201-10M20	.WASHER, PLATE .RONDELLE, PLATE	2		
7	6E5-43145-01	.CAP, CLAMP BRACKET .CAPUCHON, PRESSE	1		
8	93210-16275	.O-RING .JOINT TORIQUE	1		
9	90201-10M63	.WASHER, PLATE .RONDELLE, PLATE	1		
10	6E5-61301-01	TWIN KIT (L:600-800MM) JUMELE KIT (L:600-800MM)	1		AP AP
11	6E5-61313-00	.ADJUSTER .TENDEUR	1		
12	6E5-61311-11	.TIE BAR .BARRE D'ACCOUPEMENT	1		
13	6E5-61315-00	.TIE BAR .BARRE D'ACCOUPEMENT	1		
14	6E5-61303-00	.STEERING AXLE COMP. .AXLE COMP.	2		
15	90170-14M06	.NUT .ECROU	1		
16	95380-14700	.NUT .ECROU	2		
17	90201-10M76	.WASHER, PLATE .RONDELLE, PLATE	2		
18	90101-09M70	.BOLT .BOULON	2		
19	90170-09M05	.NUT .ECROU	2		
20	90185-09M01	.NUT, SELF-LOCKING .ECROU,AUTO-BLOQUANT	2		
21	688-48511-02	HOOK, STEERING ATTACHE, DIRECTION	2		AP AP
22	90116-10063	BOLT, STUD GOUJON	4		AP AP
23	90185-10027	NUT, SELF-LOCKING ECROU,AUTO-BLOQUANT	4		AP AP
24	6EK-42121-00	BRACKET SUPPORT	2		AP AP

FIG. 37 OPTIONAL PARTS 1

PIECES OPTIONNELLES 1



REF. NO.	PART NO. N° PIECES	DESCRIPTION DESCRIPTION	6EK3	6EL3	REMARKS REMARQUES
1	6X4-42103-65	TILLER HANDLE KIT POCHETTE DE BARRE FRANCHE	1		LM LM
2	6X4-42111-02-8D	HANDLE, STEERING POIGNEE	1		
3	93700-06M03	NIPPLE, GREASE PION	1		
4	6X4-48215-00	GRAPHIC ADHESIF	1		
5	6X4-42119-01	GRIP, STEERING HANDLE POIGNEE, BARRE FRANCHE	1		
6	6X4-42177-00	RUBBER, HANDLE CAOUTCHOUC, POIGNEE	1		
7	6X4-42137-00	INDICATOR, THROTTLE INDICATEUR, ACCELERATION	1		
8	6X4-41291-00	BUSHING COUSSINET	1		
9	6X4-44139-01	COLLAR COLLIER	1		
10	90152-05006	SCREW, COUNTERSUNK VIS, TETE NOYEE	1		
11	91490-20010	PIN, COTTER GOUILLE	1		
12	6X4-44177-00	WASHER RONDELLE	2		
13	6X4-42128-00	COLLAR, DISTANCE 1 COLLIER, D'ENTRETOISE 1	1		
14	90501-23215	SPRING, COMPRESSION RESSORT, COMPRESSION	1		
15	6X4-44188-00	WASHER RONDELLE	2		
16	90386-08032	BUSH DOUILLE	1		
17	63D-42126-00	FRICTION, STEERING HANDLE GRIP CUVETTE, POIGNEE DE DIRECTION	1		
18	6X4-48154-00	KNOB, THROTTLE BOUTON, ACCELERATEUR	1		
19	95380-06600	NUT, HEXAGON ECROU	1		
20	91490-20010	PIN, COTTER GOUILLE	1		
21	6X4-44100-01	SHIFT LINK ASSY MAILLON DE SELECTEUR	1		
22	6X4-42115-00	.SHAFT, STEERING HANDLE .AXE, BARRE FRANCHE	1		
23	6X4-44102-00	.SHIFT ASSIST ASSY. .SELECTEUR DE MAINTIEN	1		
24	6X4-47731-01	.GEAR, DRIVE .PIGNON D'ENTRAINEMENT	1		
25	6X4-44132-00	.BUSHING .COUSSINET	1		
26	6X4-14137-00	.CLIP .JONC	1		
27	6X4-48261-00	.ARM, THROTTLE .BRAS, ACCELERATION	1		



6EK3300-Q370

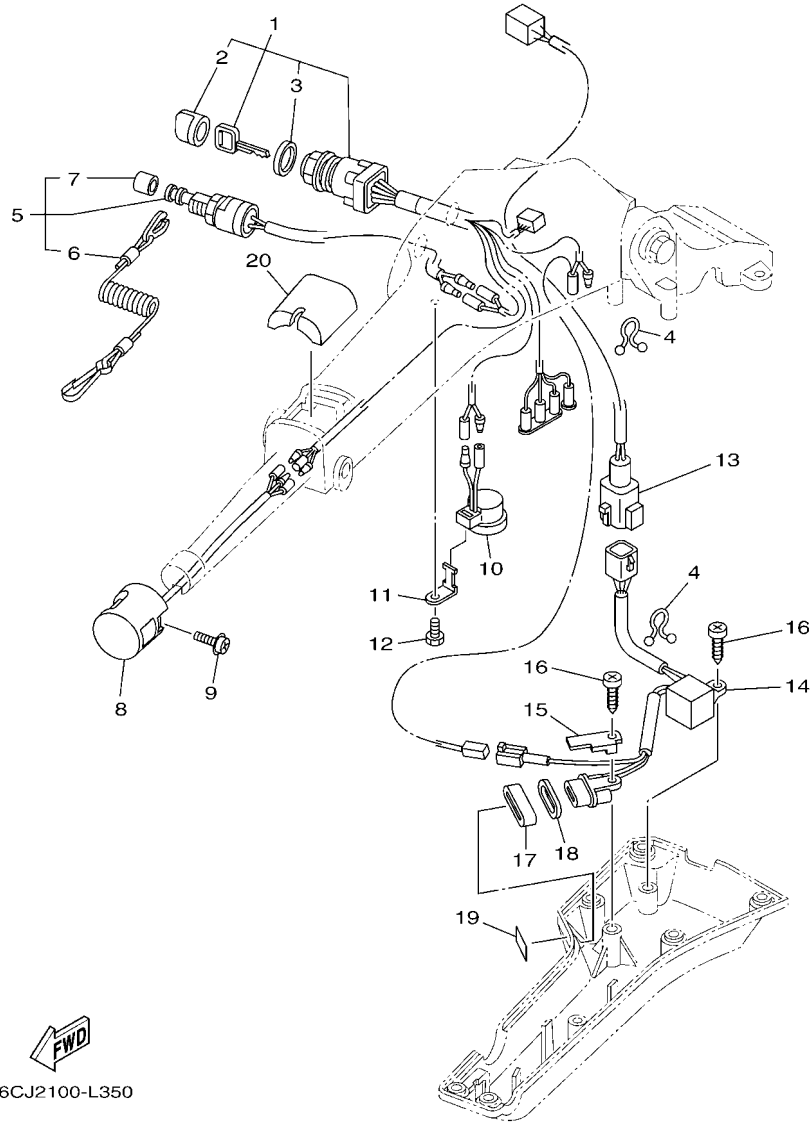
FIG. 37 OPTIONAL PARTS 1

PIECES OPTIONNELLES 1

REF. NO.	PART NO. N° PIECES	DESCRIPTION DESCRIPTION	6EK3	6EL3	REMARKS REMARQUES
28	6X4-82540-00	.NEUTRAL SWITCH ASSY .CONTACTEUR DE POINT-MORT	1		
29	703-48129-00	.SCREW 3 .VIS 3	2		
30	6X4-42821-00	.BAND, CLAMP .BRIDE, COLLIER	3		
31	97095-08040	BOLT BOULON	1		
32	92995-08600	WASHER RONDELLE	1		
33	97595-06530	BOLT, WITH WASHER VIS HEXAGONAL AVC RONDELLE	2		
34	6X4-48538-00	CLAMP, CABLE 1 COLLIER	1		
35	6X4-26367-00	PROTECTOR PROTECTEUR	1		
36	97095-06014	BOLT BOULON	1		
37	6X4-48538-10	CLAMP, CABLE 1 COLLIER	1		
38	6X4-26367-00	PROTECTOR PROTECTEUR	1		
39	97095-06014	BOLT BOULON	1		
40	6X4-42159-00	STAY SUPPORT	1		
41	6X4-44159-00-8D	HANDLE, GEAR SHIFT POIGNEE, LEVIER D'EMBRAYAGE	1		
42	6X4-44173-00	LEVER, SHIFT CONTROL POIGNEE, INVERSION	1		
43	97780-60920	SCREW, TAPPING VIS, TETE BOMBEE	2		
44	6X3-44191-00	INDICATOR, SHIFT ETIQUETTE, EMBRAYAGE	1		
45	90386-26MA3	BUSH DOUILLE	2		
46	6X4-42131-11	COVER, HANDLE STEERING COUVERCLE	1		
47	97985-06216	SCREW, WITH WASHER VIS, AVEC RONDELLE	6		
48	6X4-42725-01	GROMMET PASSE-FIL	1		
49	63D-42121-22-8D	BRACKET SUPPORT	1		
50	90101-12014	BOLT BOULON	1		
51	92990-12200	WASHER, PLAIN RONDELLE, PLATE	1		
52	90206-12M22	WASHER, WAVE RONDELLE, ONDULEE	1		
53	90387-12M02	COLLAR COLLERETTE	1		
54	90201-12035	WASHER, PLATE RONDELLE, PLATE	2		

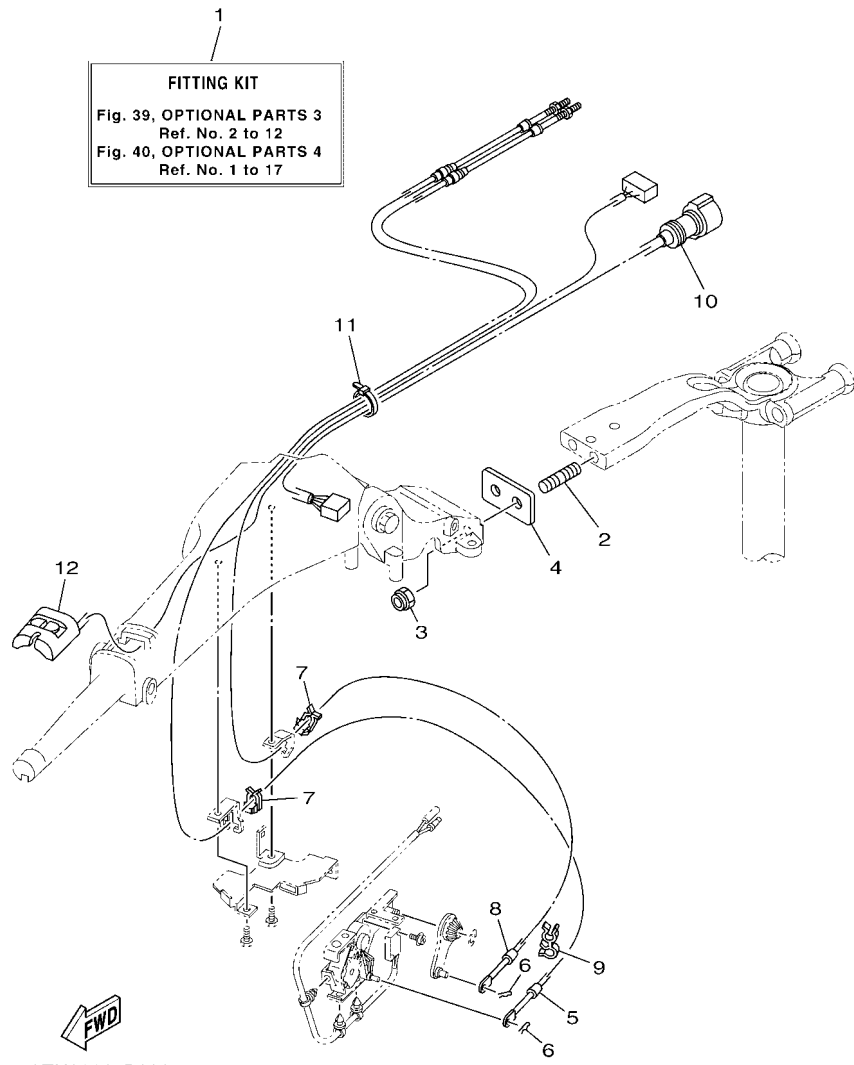
FIG. 38 OPTIONAL PARTS 2

PIECES OPTIONNELLES 2



6CJ2100-L350

REF. NO.	PART NO. N° PIECES	DESCRIPTION DESCRIPTION	6EK3	6EL3	REMARKS REMARQUES
1	6X4-82510-41	MAIN SWITCH ASSY CONTACTEUR A CLEF COMPLET	1		
2	676-82577-01	.CAP, KEY .CABOCHON	1		
3	703-82532-00	.CAP .COUVERCLE	1		
4	90464-08M07	CLAMP BRIDE	2		
5	69W-82575-00	ENGINE STOP SWITCH ASSY COUPE CIRCUIT CPLT	1		
6	682-82556-00	.LANYARD, STOP SWITCH .CORDON DU COUPE CIRCUIT	1		
7	689-8257Y-00	.CAP .COUVERCLE	1		
8	6X4-82563-00	TRIM & TILT SWITCH ASSY INCLINER ET PARER COMMULATEUR	1		
9	97980-06216	SCREW, WITH WASHER VIS, AVEC RONDELLE	1		
10	6X4-83383-00	BUZZER RONFLEUR	1		
11	6X4-83386-00	STAY, BUZZER SUPPOR, RONFLEUR	1		
12	97095-06014	BOLT BOULON	1		
13	6X4-83653-20	WIRE, LEAD (L:700MM) FIL (L:700MM)	1		
14	6C5-84301-00	PILOT LIGHT ASSY 1 LAMPE-TEMOIN 1	1		
15	6X4-44114-00	STOPPER PLAQUETTE	1		
16	97780-60620	SCREW, TAPPING VIS, TETE BOMBEE	2		
17	6X4-42727-00	GROMMET PASSE-FIL	1		
18	6H4-83589-00	GASKET GARNITURE	1		
19	6X4-85415-00	MARK, SIGNAL LAMP ETIQUETTE	1		
20	6X4-81942-01	COVER COUVERCLE	1		

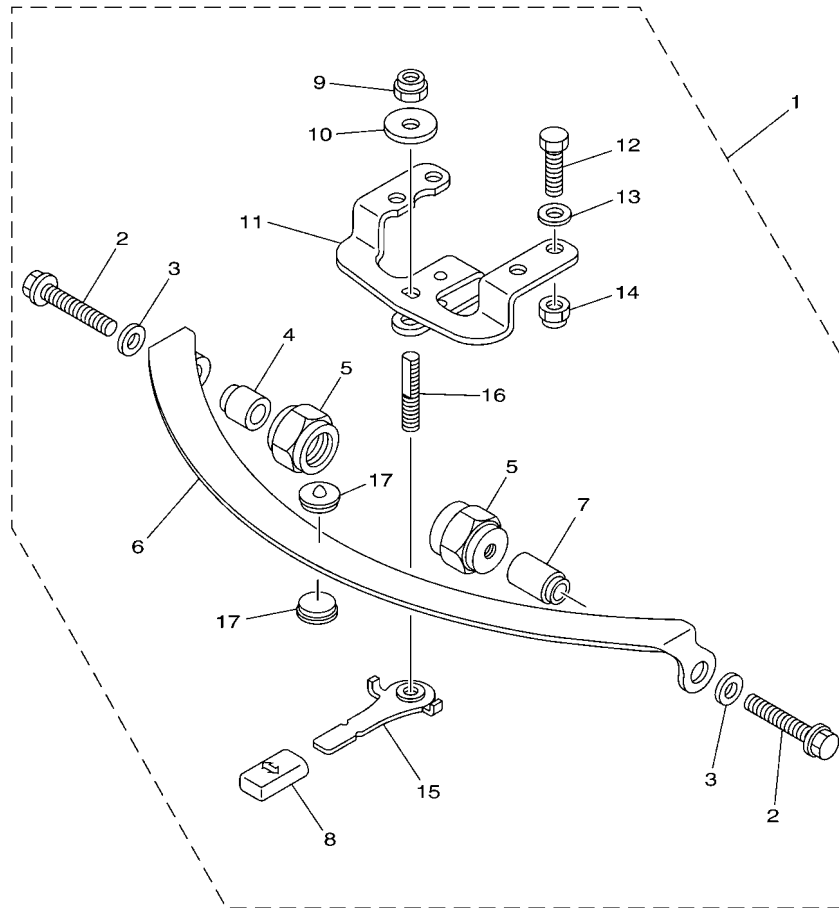


6EK3300-Q390

FIG. 39 OPTIONAL PARTS 3

PIECES OPTIONNELLES 3

REF. NO.	PART NO. N° PIECES	DESCRIPTION DESCRIPTION	6EK3	6EL3	REMARKS REMARQUES
1	6X4-42102-C0	FITTING KIT EQUIPEMENT APPROPRIE	1		LM LM
2	90116-10063	BOLT, STUD GOUJON	2		
3	90185-10027	NUT, SELF-LOCKING ECROU,AUTO-BLOQUANT	2		
4	6EK-42121-00	BRACKET SUPPORT	1		
5	6EK-48321-00	CABLE CABLE	1		
6	90468-10005	CLIP JONC	2		
7	63D-48538-00	CLAMP, CABLE 1 COLLIER	2		
8	6EK-26301-00	THROTTLE CABLE ASSY CABLE D'ACCELERATEUR	1		
9	90464-09M42	CLAMP BRIDE	1		
10	6X4-82586-10	EXT., WIRE HARNESS (L:950MM) EXT, FAISCEAU DE FILS (L:950MM)	1		
11	90465-13M24	CLAMP BRIDE	1		
12	6X4-81860-00	SWITCH ASSY COMMUTATEUR COMPLET	1		

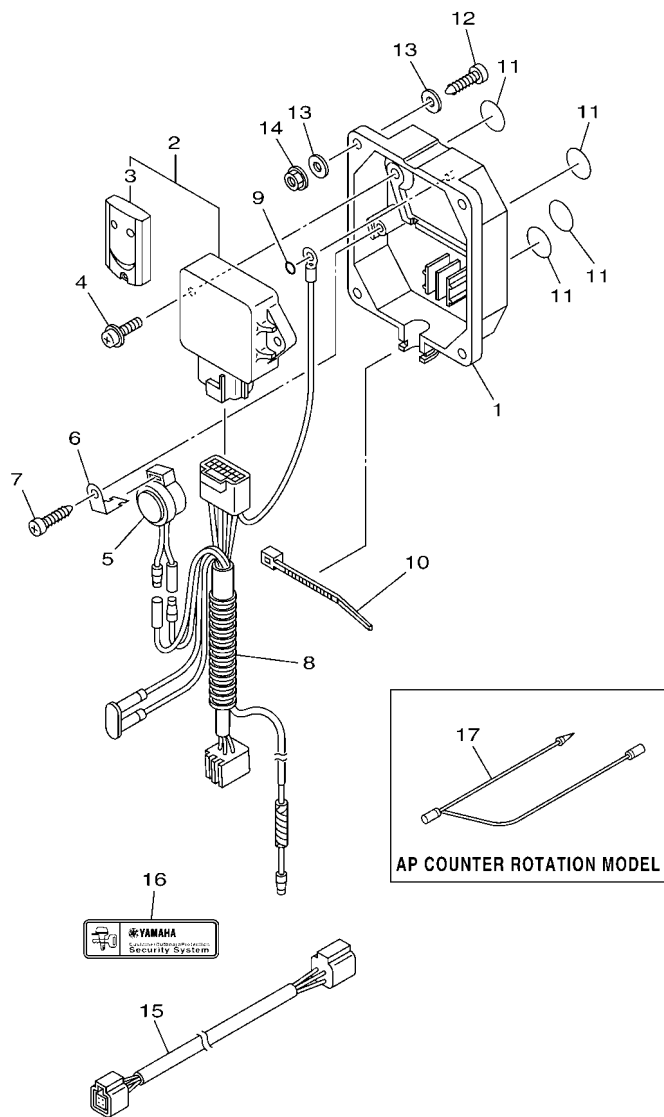


FWD
6X41110-E050

FIG. 40 OPTIONAL PARTS 4

PIECES OPTIONNELLES 4

REF. NO.	PART NO. N° PIECES	DESCRIPTION DESCRIPTION	6EK3	6EL3	REMARKS REMARQUES
1	67G-42508-10	STEERING FRICTION ASSY DIRECTION FRICTION (ENS.)	1		
2	90119-08M74	.BOLT, WITH WASHER .BOULON, AVEC RONDELLE	2		
3	90201-08M01	.WASHER, PLATE .RONDELLE, PLATE	2		
4	67G-42541-00	.PIPE 1 .TUYAU 1	1		
5	67G-42546-00	.NUT .ECROU	2		
6	63D-42527-00	.PLATE, FRICTION .PLAQUE, FRICTION	1		
7	67G-42541-10	.PIPE 1 .TUYAU 1	1		
8	682-43318-01	.COVER .CAPUCHON	1		
9	90185-10M14	.NUT, SELF-LOCKING .ECROU,AUTO-BLOQUANT	1		
10	90201-10M76	.WASHER, PLATE .RONDELLE, PLATE	1		
11	6X4-42526-00	.PLATE, FRICTION .PLAQUE, FRICTION	1		
12	97095-08025	.BOLT .BOULON	2		
13	92995-08600	.WASHER .RONDELLE	2		
14	90185-08057	.NUT, SELF-LOCKING .ECROU,AUTO-BLOQUANT	2		
15	67G-42561-00	.KNOB, STEERING LOCK .BOUTON	1		
16	67G-42562-00	.SHAFT, STEERING LOCK .ARBRE,ANTIVOL DE DIRECTION	1		
17	63D-42528-00	.PLATE, FRICTION .PLAQUE, FRICTION	2		



63P9100-L320

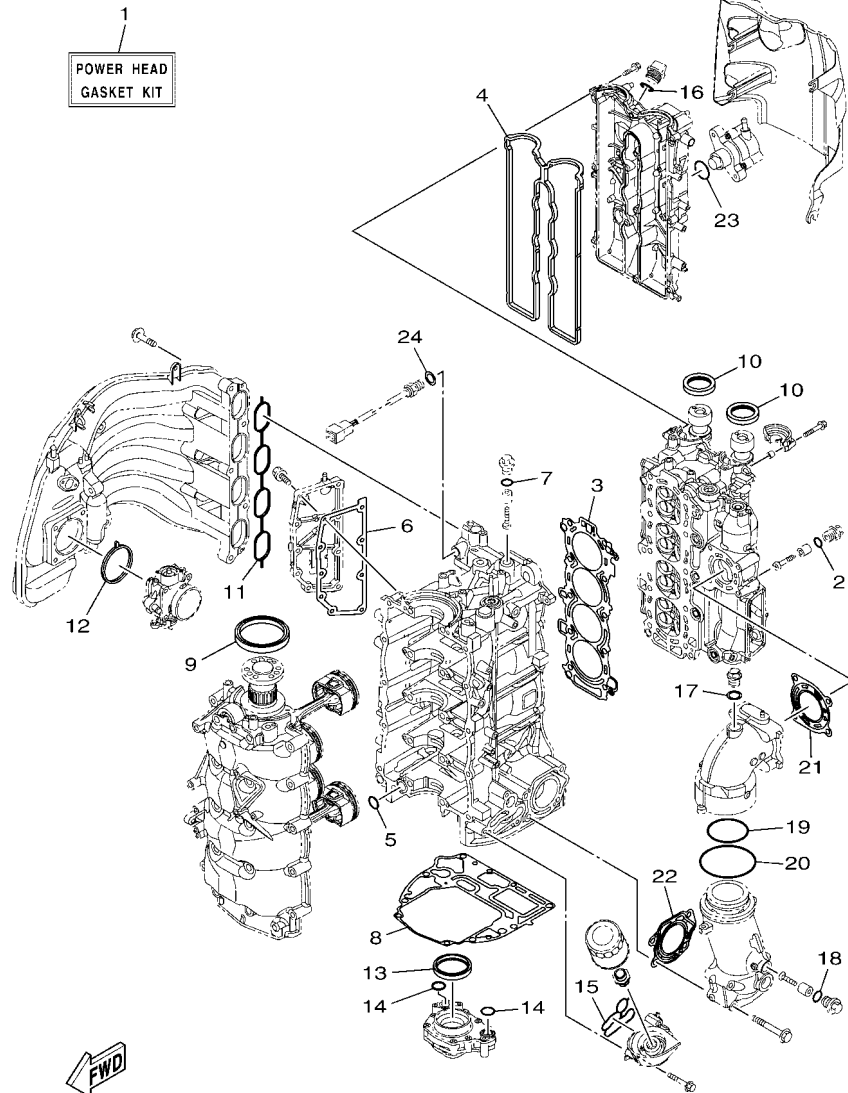
FIG. 41 OPTIONAL PARTS 5

PIECES OPTIONNELLES 5

REF. NO.	PART NO. N° PIECES	DESCRIPTION DESCRIPTION	6EK3	6EL3	REMARKS REMARQUES
1	6Y8-86267-00	CASE COMPLETE 1 CARTER (ENS.) 1	1		
2	6Y8-86260-02	REMOTE CONTROL UNIT ASSY UNITE DE TELECOMMANDE (ENS.)	1		
3	6AA-86261-00	.XMTR. COMP. .XMTR. COMP.	2		
4	97980-06216	SCREW, WITH WASHER VIS, AVEC RONDELLE	2		
5	6X4-83383-00	BUZZER RONFLEUR	1		
6	6X4-83386-00	STAY, BUZZER SUPPOR, RONFLEUR	1		
7	97780-60620	SCREW, TAPPING VIS, TETE BOMBEE	1		
8	6Y8-82509-10	WIRE, SUB LEAD FIL, SECONDAIRE	1		
9	93210-04279	O-RING JOINT TORIQUE	1		
10	90465-11M10	CLAMP BRIDE	1		
11	6Y8-8454G-00	PATCH 1 TAMPON 1	4		
12	90167-06M00	SCREW, TAPPING VIS, TETE FRAISEE	4		UR
	97880-06035	SCREW, PAN HEAD VIS, TETE TRONCONIQUE	4		UR
13	90201-06M30	WASHER, PLATE RONDELLE, PLATE	8		UR
14	95780-06300	NUT, FLANGE ECROU	4		
15	6Y8-82521-11	2FT PIGTAIL BUS FAISCEAU (L: 2FT.)	1		
16	6Y8-48277-00	STICKER 1 ETIQUETTE 1	4		
17	6H5-81315-00	LEAD WIRE ASSY FIL		1	

FIG. 43 REPAIR KIT 1

KITS DE REPARATION 1

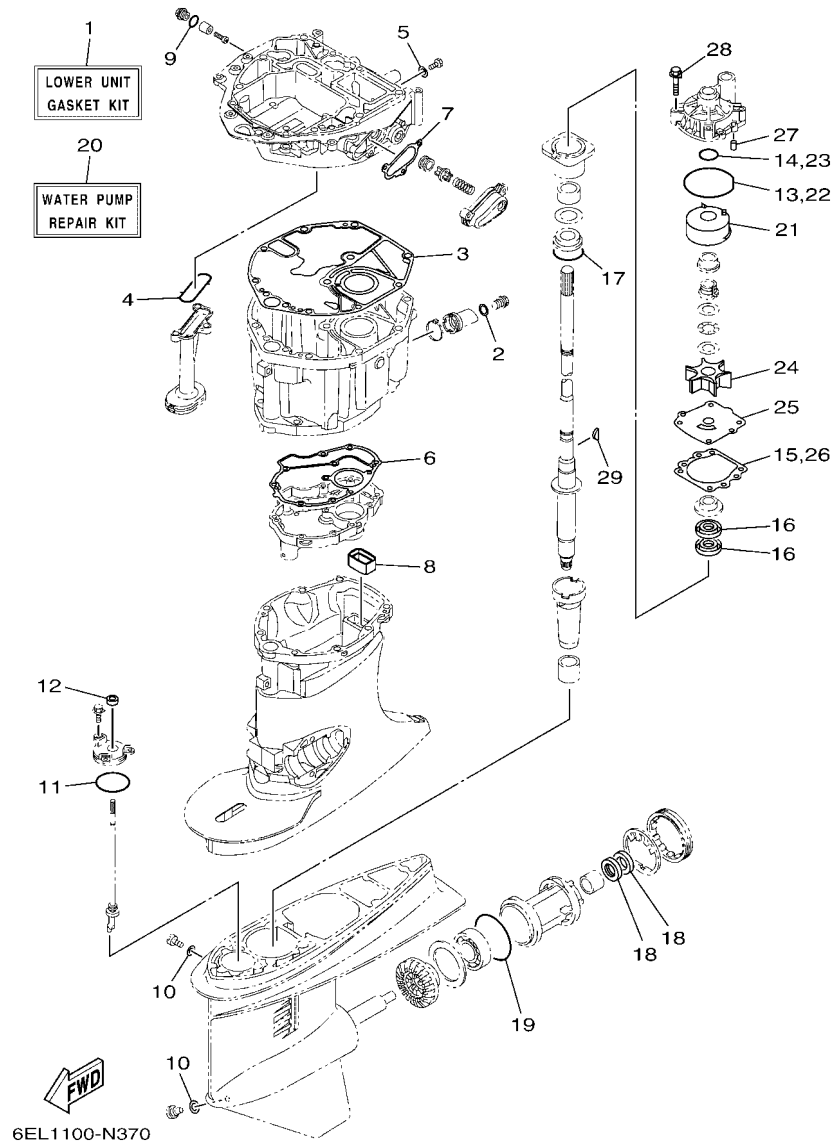


6EK1100-N360

REF. NO.	PART NO. N° PIECES	DESCRIPTION DESCRIPTION	6EK3	6EL3	REMARKS REMARQUES
1	6EK-W0001-00	POWER HEAD GASKET KIT POCHETTE DE JINTS TETE MOTRICE	1	1	
2	93210-13M63	.O-RING .JOINT TORIQUE	1	1	
3	6EK-11181-00	.GASKET, CYLINDER HEAD 1 .JOINT, DE CULASSE 1	1	1	
4	6EK-11193-00	.GASKET, HEAD COVER 1 .JOINT, COUVERCLE DE CULASSE 1	1	1	
5	93210-19MJ1	.O-RING .JOINT TORIQUE	1	1	
6	6EK-15353-00	.GASKET, DRAIN .JOINT, PLOT DE VIDANGE	1	1	
7	93210-13M63	.O-RING .JOINT TORIQUE	1	1	
8	6EK-11351-00	.GASKET, CYLINDER .JOINT, D'EMBASE	1	1	
9	93102-85008	.OIL SEAL .JOINT SPY	1	1	
10	93102-38008	.OIL SEAL .JOINT SPY	2	2	
11	6EK-13645-00	.GASKET, MANIFOLD 1 .JOINT, TUBULURE 1	1	1	
12	6EK-13646-00	.GASKET, MANIFOLD 2 .JOINT, TUBULURE 2	1	1	
13	69J-11355-00	.SEAL, CYLINDER 1 .JOINT, SPY CYLINDRE	1	1	
14	93210-19MJ1	.O-RING .JOINT TORIQUE	2	2	
15	6EK-13475-00	.GASKET .JOINT	1	1	
16	93210-24M79	.O-RING .JOINT TORIQUE	1	1	
17	90201-186F1	.WASHER, PLATE .RONDELLE, PLATE	1	1	
18	93210-13M63	.O-RING .JOINT TORIQUE	1	1	
19	93210-64001	.O-RING .JOINT TORIQUE	1	1	
20	93210-84001	.O-RING .JOINT TORIQUE	1	1	
21	6EK-41114-00	.GASKET, EXHAUST OUTER COVER .JOINT, COUVERCLE D'ECHAPPEMENT	1	1	
22	6EK-41124-00	.GASKET, EXHAUST OUTER COVER .JOINT, COUVERCLE D'ECHAPPEMENT	1	1	
23	93210-30682	.O-RING .JOINT TORIQUE	1	1	
24	90430-14115	.GASKET .JOINT	1	1	

FIG. 44 REPAIR KIT 2

KITS DE REPARATION 2



REF. NO.	PART NO. N° PIECES	DESCRIPTION DESCRIPTION	6EK3	6EL3	REMARKS REMARQUES
1	6EK-W0001-20	LOWER UNIT GASKET KIT POCHETTE DE JOINTS EMBASE	1	1	
2	90430-14M09	.GASKET .JOINT	1	1	
3	6EK-15312-00	.GASKET, OIL PAN .JOINT DE VENTILATEUR D'HUILE	1	1	
4	67F-13415-00	.SEAL, OIL STRAINER .JOINT, FILTRE A HUILE	1	1	
5	90430-08143	.GASKET .JOINT	1	1	
6	6EK-41134-00	.GASKET, EXHAUST MANIFOLD .JOINT, PIPE D'ECHAPPEMENT	1	1	
7	6EK-12435-A0	.GASKET .JOINT	1	1	
8	67F-45127-00	.SEAL .JOINT	1	1	
9	93210-13M63	.O-RING .JOINT TORIQUE	1	1	
10	90430-08003	.GASKET .JOINT	2	2	
11	93210-58144	.O-RING .JOINT TORIQUE	1	1	
12	93106-09014	.OIL SEAL .JOINT SPY	1	1	
13	93210-86M38	.O-RING .JOINT TORIQUE	1	1	
14	93210-37160	.O-RING .JOINT TORIQUE	1	1	
15	6E5-44315-A0	.GASKET, WATER PUMP .JOINT, POMPE A EAU	1	1	
16	93101-28M16	.OIL SEAL .JOINT SPY	2	2	
17	93210-55M14	.O-RING .JOINT TORIQUE	1	1	
18	93101-30M17	.OIL SEAL .JOINT SPY	2	2	
19	93210-86M39	.O-RING .JOINT TORIQUE	1	1	
20	68V-W0078-00	WATER PUMP REPAIR KIT KIT DE REPARATION DE LA POMPE	1	1	
21	61A-44322-02	.INSERT, CARTRIDGE .CUVETTE	1	1	
22	93210-86M38	.O-RING .JOINT TORIQUE	1	1	
23	93210-37160	.O-RING .JOINT TORIQUE	1	1	
24	6E5-44352-01	.IMPELLER .TURBINE	1	1	
25	6EK-44323-00	.OUTER PLATE, CARTRIDGE .PLAQUE EXTERIEURE	1	1	
26	6E5-44315-A0	.GASKET, WATER PUMP .JOINT, POMPE A EAU	1	1	
27	93606-12019	.PIN, DOWEL .GOUPILLE	2	2	

