

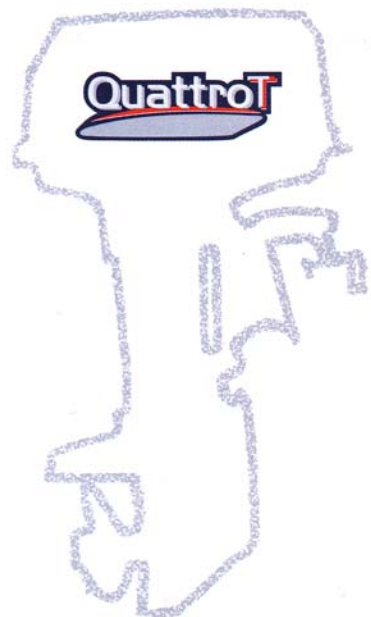
Blue Whale 250

Production year 2011

Production année 2011

PARTS CATALOGUE

CATALOGUE DE PIÈCES DÉTACHÉES



ENGINE STARTING SERIAL NUMBER

Blue Whale 250 Right (6P2):1042700

Blue Whale 250 Left (6P3):1015123



FOREWORD

This Parts Catalogue is related to the parts for the model(s) on the cover page. When you are ordering replacement parts, please refer to this Parts Catalogue and quote both part numbers and part names correctly.

1. Modifications or additions which have been made after the issue of the Parts Catalogue will be announced in the Parts News.
It is advisable that you make the necessary corrections to the Parts Catalogue according to the Parts News.

2. Abbreviations

The following abbreviations are used in this Parts Catalogue.

“UR” Use specified parts number.

“UN” Use as many as needed.

“AP” Alternate Parts

“LM” Locally Made (Parts need to be ordered locally)

“F#” Frame No. (Applicable machine No.)

“O/S” Over Size

3. The number of components for assembly

- Parts, which are to be supplied in an assembly, are listed with a dot (.) in front of the part name as shown below.
- The numeral appearing to the right of each component part indicates the quantity of parts for each assembly unit.

PART NO.	DESCRIPTION	Q'TY	REMARKS
2F5-83310-60	FRONT FLASHER LIGHT ASSY	2	
115-83311-60	.BULB (6V-18W)	1	

4. Applicable colours of graphics are represented in the “REMARKS” as shown below.

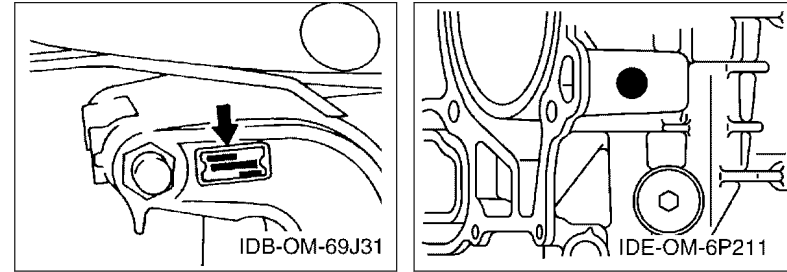
PART NO.	DESCRIPTION	Q'TY	REMARKS
2N4-24110-00-X5	FUEL TANK COMP.	2	MXR
3J1-24240-10	.GRAPHIC, FUEL TANK	1	FOR MXR

5. Note that the illustrations for reference in finding parts numbers are not to be used for assembling. When assembling, please use the applicable service manual.

6. The asterisk (*) before a reference number indicates modified items after the first edition.

7. Applicable Serial No.

Engine Serial No.



8. Applicable Engine Starting Serial No.

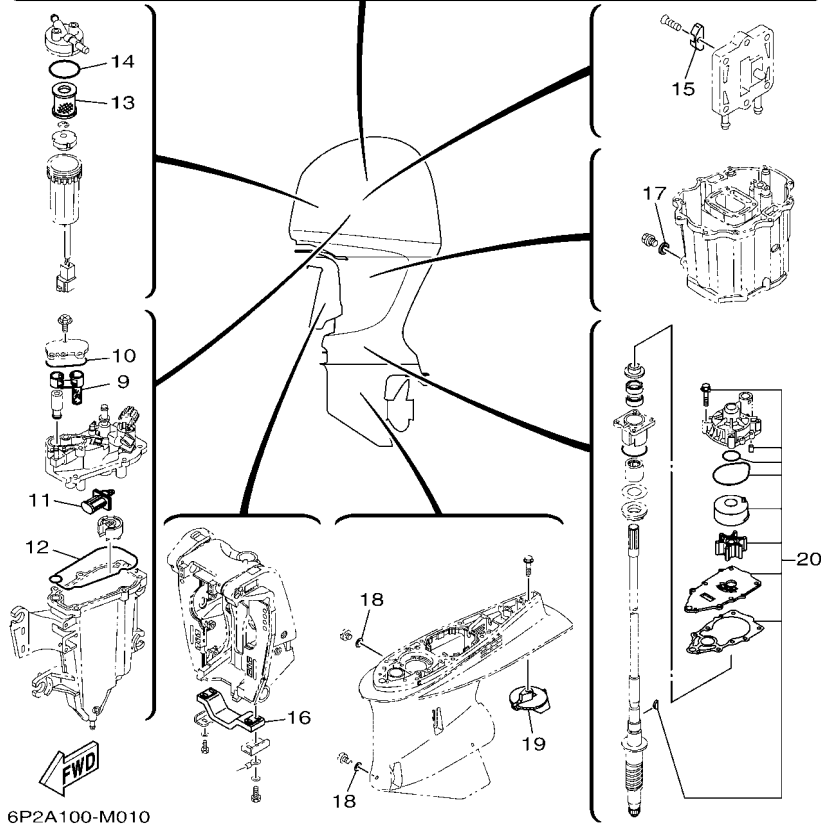
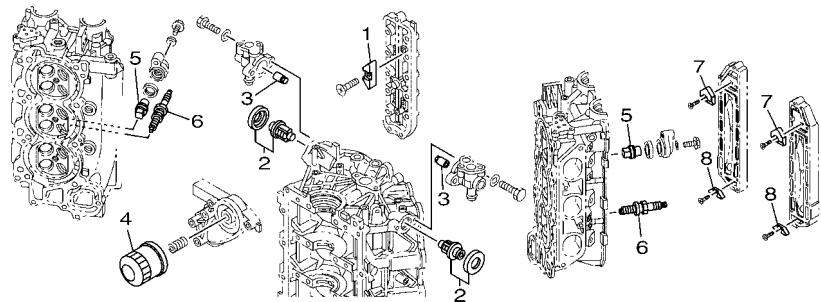
Model	Serial No.	Model	Serial No.
Æ50A	6P2-1042700	Æ50Aç	6P3-1015123

9. Applicable Colour Code

Abbreviation	Colour Name	Colour Code
DBN1	DARK BLUISH GRAY 1	008D

10. Quantity Column Information

Column No.	Name Of Q'ty Column	Applicable Model
1	6P2D	F250AET
2	6P3D	FL250AET



6P2A100-M010

FIG. 1 SCHEDULED SERVICE PARTS **PECAS DE MANUTENCAO PROGRAMADA**

REF. NO.	PART NO. No. PEÇA	DESCRIPTION DESCRIÇÃO	6P2D	6P3D			REMARKS OBSERVAÇÕES
1	6E5-11325-00	ANODE ANODO	4	4			
2	67F-12411-01	THERMOSTAT TERMOSTATO	2	2			
3	6P3-11325-00	ANODE ANODO	2	2			
4	69J-13440-03	ELEMENT ASSY, OIL CLEANER ELEMENTO DO FILTRO DE OLEO CJ	1	1			
5	67F-11325-01	ANODE ANODO	4	4			
6	94702-00400	PLUG, SPARK (NGK LFR6A-11) VELA DE IGNICAO (NGK LFR6A-11)	6	6			
7	6P2-11325-00	ANODE ANODO	2	2			
8	6E5-11325-00	ANODE ANODO	2	2			
9	6CB-24501-01	FILTER, FUEL FILTRO DE COMBUSTIVEL	1	1			
10	6CB-13016-00	O-RING ANEL DE BORRACHA	1	1			
11	63P-13915-00	FILTER FILTRO	1	1			
12	6CB-14984-00	GASKET, FLOAT CHAMBER GAXETA DA CAMARA DA BOIA.	1	1			
13	6P3-24563-01	ELEMENT, FILTER ELEMENTO DO FILTRO	1	1			
14	6P3-24564-00	GASKET GAXETA	1	1			
15	6E5-11325-00	ANODE ANODO	1	1			
16	6G5-45251-02	ANODE ANODO	1	1			
17	90430-14M09	GASKET GAXETA	1	1			
18	90430-08003	GASKET GAXETA	2	2			
19	61A-45371-00	TAB-TRIM ESTABILIZADOR DE DIRECAO	1	1			
20	6P2-W0078-00	WATER PUMP REPAIR KIT JOGO DE REPARO DA BOMBA D'AGUA	1	1			

FIG. 2 TOP COWLING

CAPOT SUPERIEUR

REF. NO.	PART NO. N° PIECES	DESCRIPTION DESCRIPTION	6AL5	6AS4	REMARKS REMARQUES
1	1504780	TOP COWLING ASSY CAPOT (ENS.)	1	1	
2	6P2-42613-00	.MOLDING, AIR DUCT .MANCHON A AIR	1	1	
3	90179-06M28	.NUT .ECROU	9	9	
4	68F-42647-01-94	.HOLDER, CLAMP BAND .SUPPORT, SANDOW DE SERRAGE	1	1	
5	69J-42647-00-94	.HOLDER, CLAMP BAND .SUPPORT, SANDOW DE SERRAGE	1	1	
6	69J-42663-00	.DAMPER .AMORTISSEUR	1	1	
7	92990-06100	.WASHER, SPRING .RONDELLE, GROWER	6	6	
8	95380-06600	.NUT, HEXAGON .ECROU	6	6	
9	60V-42651-01	.HOOK .CROCHET	2	2	
10	97095-06016	.BOLT .BOULON	6	6	
11	92995-06600	.WASHER .RONDELLE	6	6	
12	68F-42663-00	.DAMPER .AMORTISSEUR	2	2	
13	68F-42648-01-94	.HOLDER, CLAMP BAND .SUPPORT, SANDOW DE SERRAGE	1	1	
14	60V-42652-00	.HOOK .CROCHET	1	1	
15	67F-13448-00	.CAP .CAPUCHON	3	3	
16	8093255	.GRAPHIC, BLUE WHALE .ADHESIF, BLUE WHALE	2	2	
17	8092605	.GRAPHIC, SELVA MARINE .ADHESIF, SELVA MARINE	1	1	
18	8093260	.GRAPHIC, 250 .ADHESIF, 250	2	2	
19	8093280	.GRAPHIC, RIGHT .ADHESIF, DROITE	1	1	
20	8093275	.GRAPHIC, LEFT .ADHESIF, GAUCHE	1	1	
21	69J-24378-00	.PIPE, JOINT 3 .DURITE RACCORDMENT 3	1	1	
22	90445-11M27	.HOSE (L240) .DURITE (L240)	1	1	
23	90445-11699	.HOSE (L500) .DURITE (L500)	1	1	
24	90445-11182	.HOSE (L300) .DURITE (L300)	1	1	

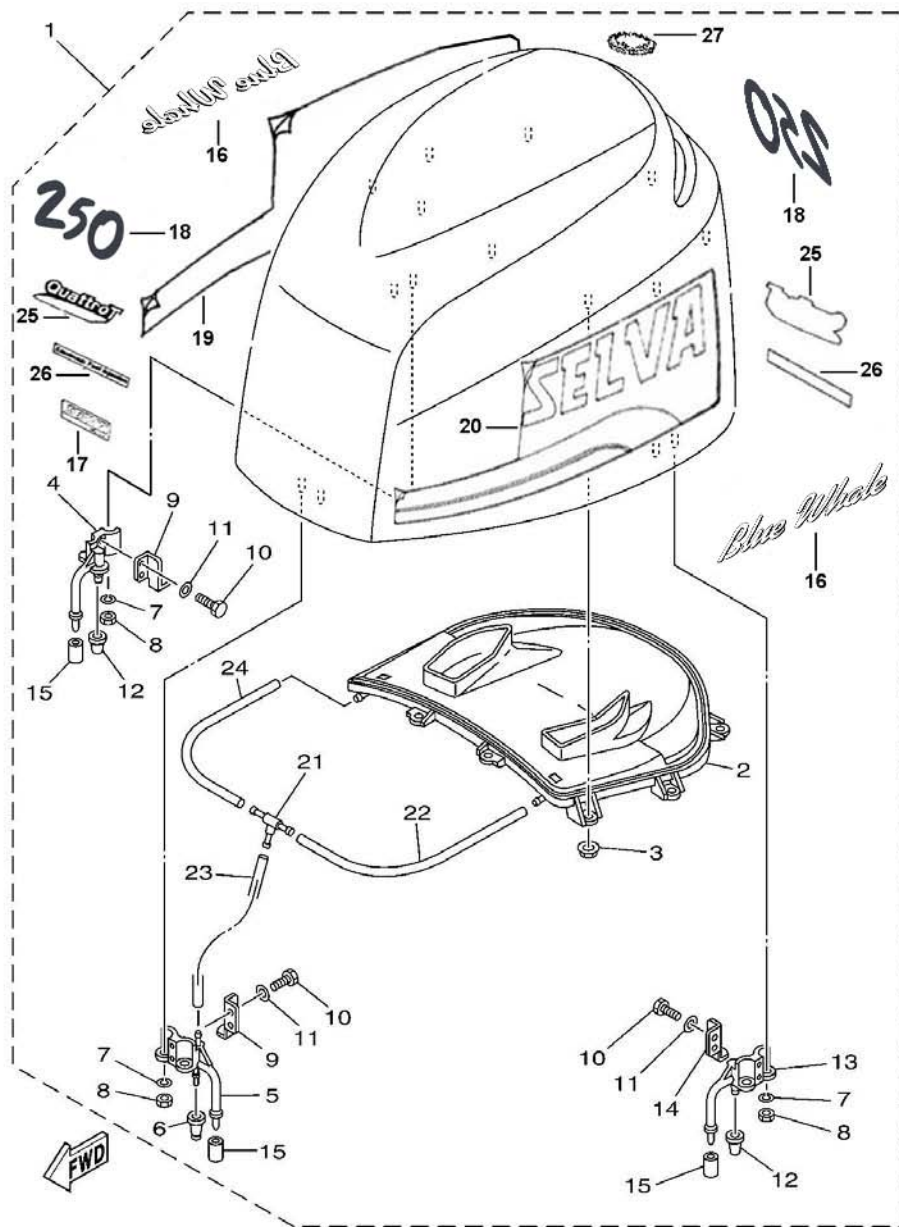
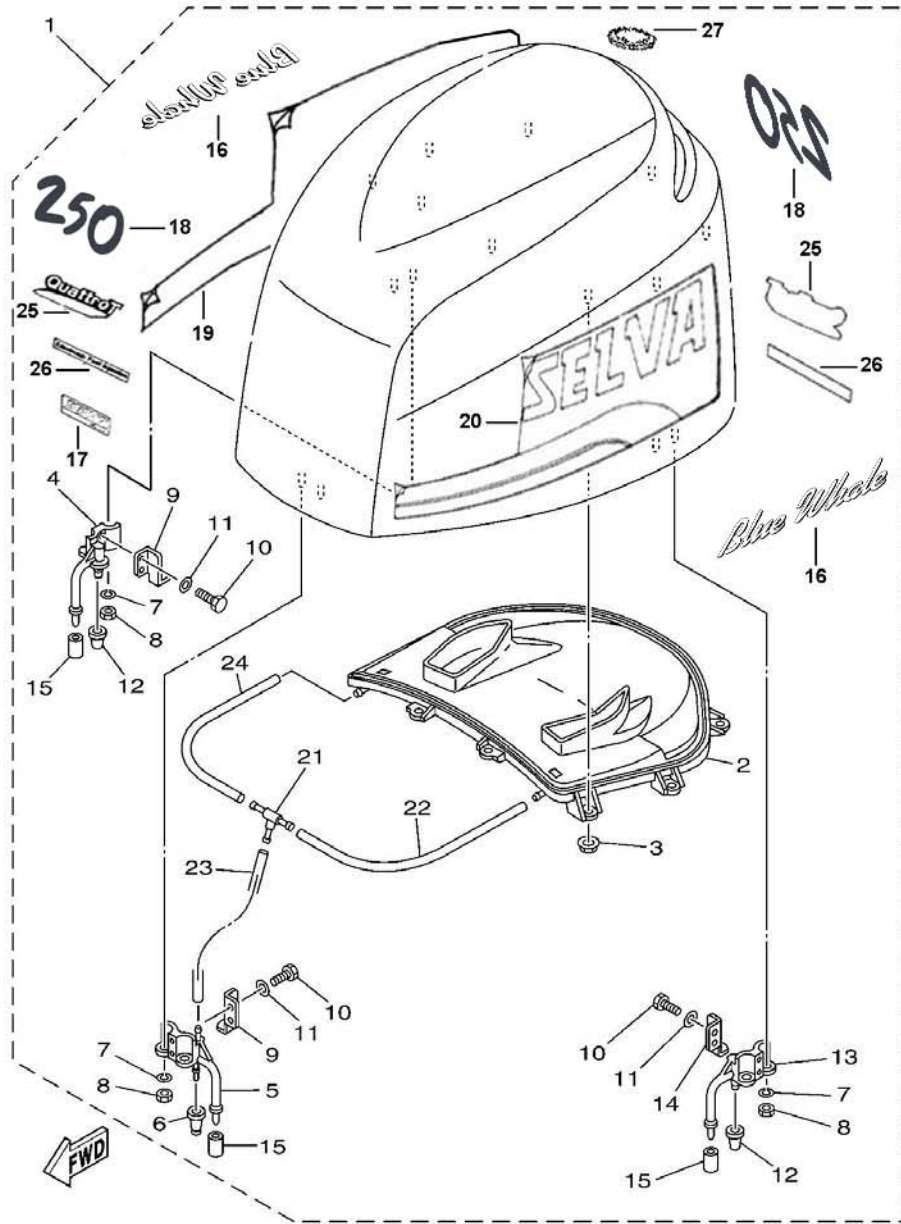


FIG. 2 TOP COWLING

CAPOT SUPERIEUR

REF. NO.	PART NO. N° PIECES	DESCRIPTION DESCRIPTION	GAL5	GAS4				REMARKS
								REMARQUES
25	8093052	.GRAPHIC, QUATTRO T .ETIQUETTE, QUATTRO T	2	2				
26	8093165	.GRAPHIC, ELECTRONIC FUEL INJECTION .ETIQUETTE, ELECTRONIC FUEL INJECTION	2	2				
27	8093035	.GRAPHIC, SELVA MARINE EUROPE .ADHESIF, SELVA MARINE EUROPE	1	1				
	1534380	.GRAPHIC SET .JEU DIEMBLEMES	1	1				



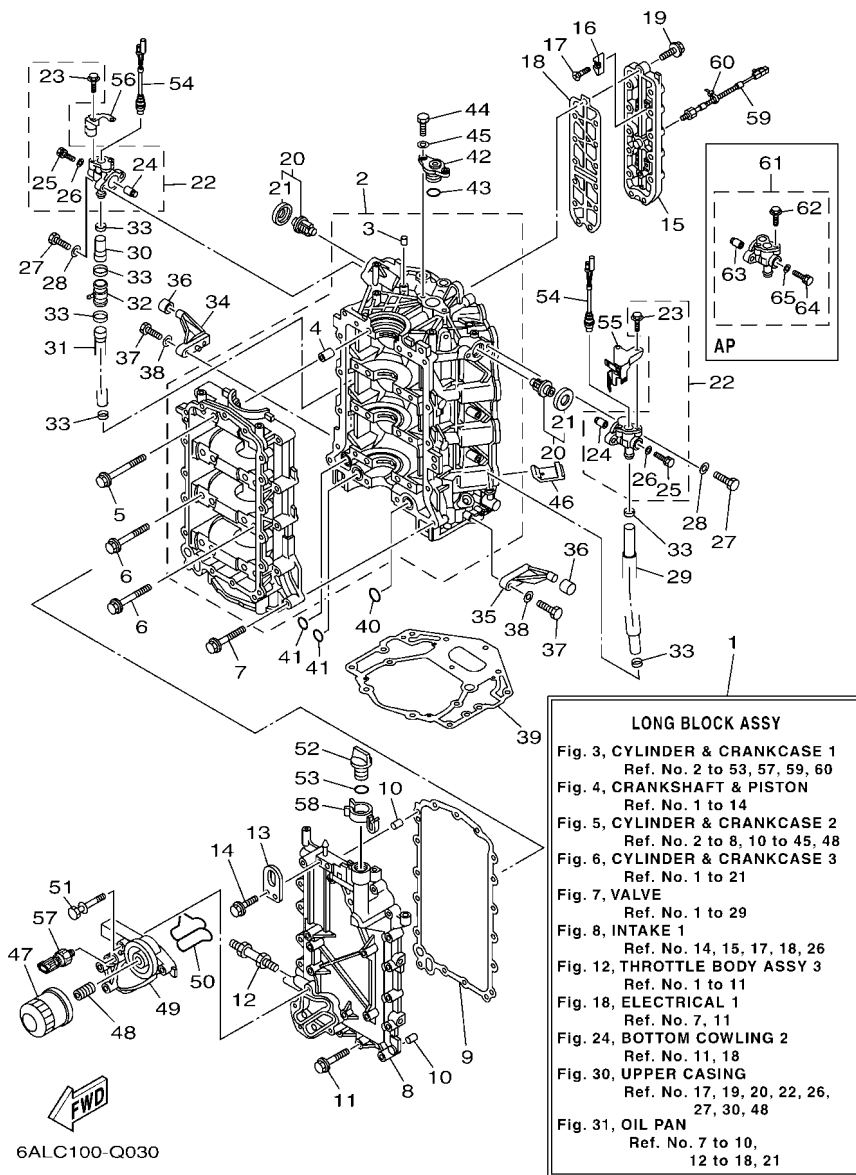


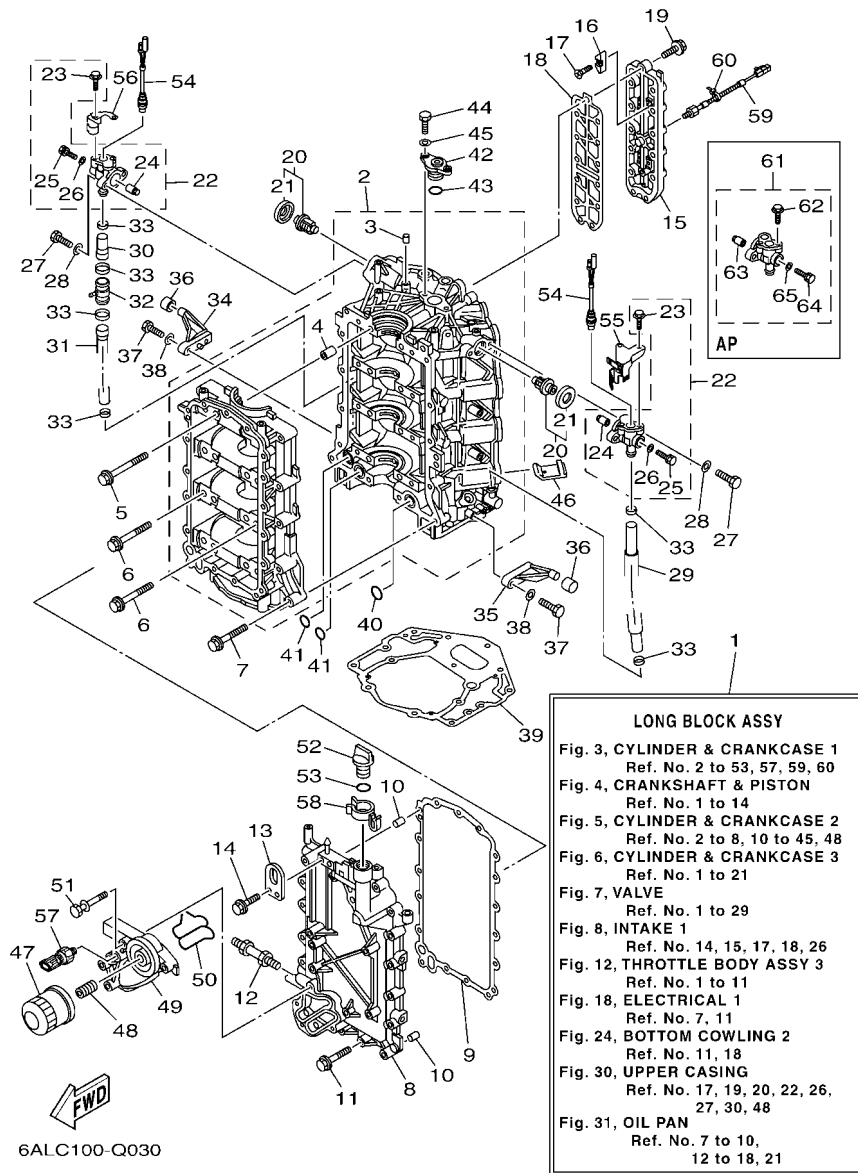
FIG. 3 CYLINDER & CRANKCASE 1

CARCACA DO CILINDRO 1

REF. NO.	PART NO. No. PEÇA	DESCRIPTION DESCRIÇÃO	6P2D	6P3D	REMARKS OBSERVAÇÕES
1	6P2-11000-01	LONG BLOCK ASSY BLOCO EXTENSO CONJUNTO	1	1	
2	6P2-15100-10	CRANKCASE ASSY CARCACA DO MOTOR COMPLETA	1	1	
3	93606-12019	.PIN, DOWEL .PINO GUIA	1	1	
4	91814-18002	.PIN, DOWEL .PINO GUIA	8	8	
5	6P2-15187-00	BOLT PARAFUSO	8	8	
6	6P2-15481-00	BOLT 1 PARAFUSO 1	8	8	
7	90119-08M66	BOLT, WITH WASHER PARAFUSO COM ARRUELA	13	13	
8	6P2-15411-01-9S	COVER, CRANKCASE 1 TAMPA DA CARCACA 1	1	1	
9	69J-15451-00	GASKET, CRANKCASE COVER 1 GAXETA DA TAMPA DA CARCACA 1	1	1	
10	93606-12019	PIN, DOWEL PINO GUIA	2	2	
11	90119-08009	BOLT, WITH WASHER PARAFUSO COM ARRUELA	17	17	
12	90116-10027	BOLT, STUD PRISIONEIRO	1	1	
13	69J-11119-00	HANGER, ENGINE ALCA DO MOTOR	1	1	
14	90105-06M09	BOLT, FLANGE PARAFUSO FLANGE	2	2	
15	6P2-1131C-00-9S	COVER, JOINT TAMPA DA JUNCAO	1	1	
16	6E5-11325-00	ANODE ANODO	4	4	
17	98780-04016	SCREW, FLAT HEAD PARAFUSO CABECA PLANA	4	4	
18	6P2-1131B-00	GASKET, COVER GAXETA DA TAMPA	1	1	
19	90119-06MA4	BOLT, WITH WASHER PARAFUSO COM ARRUELA	13	13	
20	67F-12411-01	THERMOSTAT TERMOSTATO	2	2	
21	67F-12412-00	.SEAL, THERMOSTAT .VEDACAO DO TERMOSTATO	1	1	
22	6P2-1240H-00-9S	ANODE ASSY ANODO COMPLET	2	2	
23	90109-06M80	.BOLT .PARAFUSO	2	2	
24	6P3-11325-00	.ANODE .ANODO	1	1	
25	90105-05012	.BOLT, FLANGE .PARAFUSO FLANGE	1	1	
26	90430-05002	.GASKET GAXETA	1	1	
27	97095-06025	BOLT PARAFUSO	4	4	

FIG. 3 CYLINDER & CRANKCASE 1

CARCAÇA DO CILINDRO 1



REF. NO.	PART NO. No. PEÇA	DESCRIPTION DESCRIÇÃO	6P2D	6P3D	REMARKS OBSERVAÇÕES
28	92995-06600	WASHER ARRUELA	4	4	
29	6P2-1243A-00	HOSE 1 MANGUEIRA 1	1	1	
30	6P2-1243E-00	HOSE 2 MANGUEIRA 2	1	1	
31	6P2-1243F-00	HOSE,3 MANGUEIRA 3	1	1	
32	6CE-24378-00	PIPE, JOINT 3 JUNCAO DO TUBO 3	1	1	
33	90465-11M59	CLAMP BRACADEIRA	6	6	
34	67F-42761-01	STOPPER LIMITADOR	1	1	
35	6P2-42761-00	STOPPER LIMITADOR	1	1	
36	68F-44533-01	DAMPER, UPPER MOUNT RUBBER AMORTIZADOR SUPERIOR	2	2	
37	97095-06025	BOLT PARAFUSO	4	4	
38	92995-06600	WASHER ARRUELA	4	4	
39	69J-11351-11	GASKET, CYLINDER GAXETA DO CILINDRO	1	1	
40	93210-25552	O-RING ANEL DE BORRACHA	1	1	
41	93210-19MJ1	O-RING ANEL DE BORRACHA	2	2	
42	69J-11313-00	PLUG, BLIND TAMPAO BLINDADO	1	1	
43	93210-25647	O-RING ANEL DE BORRACHA	1	1	
44	97095-06020	BOLT PARAFUSO	2	2	
45	92995-06600	WASHER ARRUELA	2	2	
46	69J-14664-00	GROMMET, WATER SHUT ILHO	2	2	
47	69J-13440-03	ELEMENT ASSY, OIL CLEANER ELEMENTO DO FILTRO DE OLEO CJ	1	1	
48	6S5-12858-00	BOLT, UNION PARAFUSO DE UNIAO	1	1	
49	6P2-13446-00-9S	CONNECTOR CONECTOR	1	1	
50	6P2-13477-00	GASKET GAXETA	1	1	
51	90119-06025	BOLT, WITH WASHER PARAFUSO COM ARRUELA	5	5	
52	6G8-15363-00	PLUG, OIL TAMPAO DO NIVEL DE OLEO	1	1	
53	93210-24M79	O-RING ANEL DE BORRACHA	1	1	
54	6P2-82560-01	THERMO SWITCH ASSY INTERRUPTOR TERMICO CONJ.	2	2	

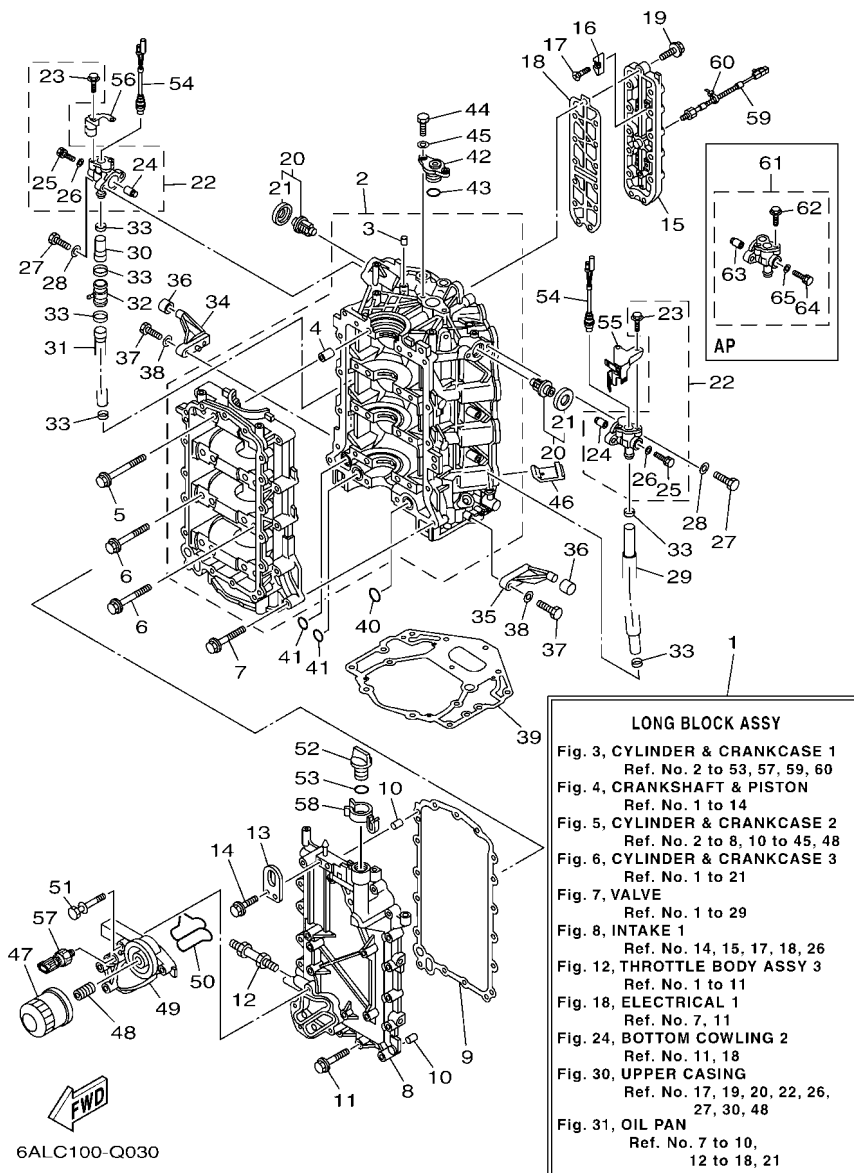


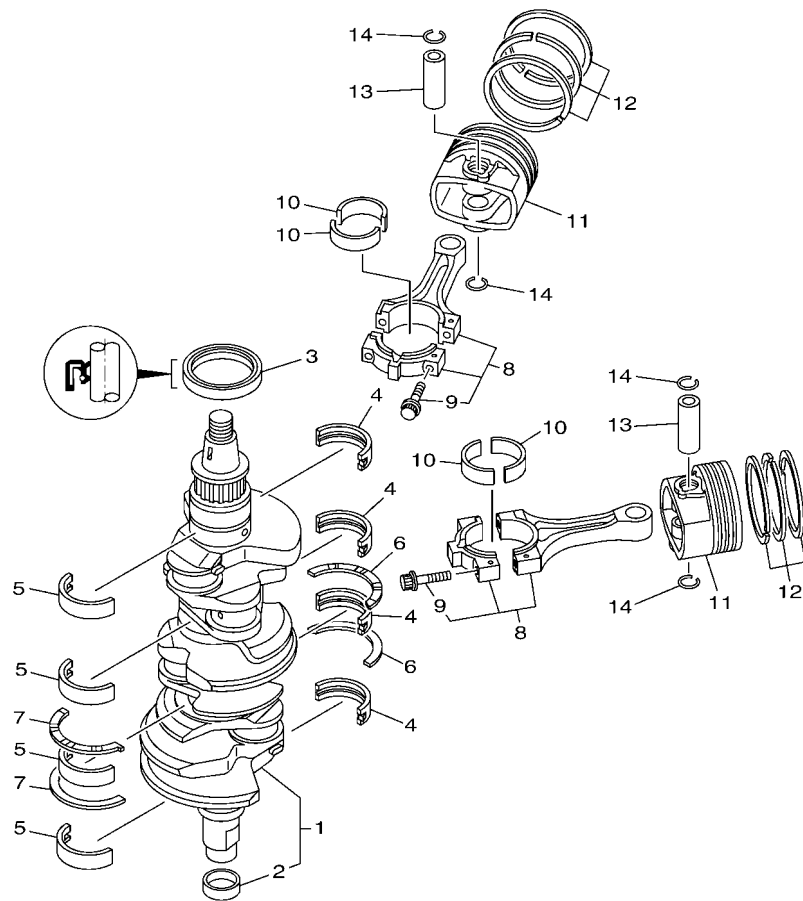
FIG. 3 CYLINDER & CRANKCASE 1

CARCAÇA DO CILINDRO 1

REF. NO.	PART NO. No. PEÇA	DESCRIPTION DESCRIÇÃO	6P2D	6P3D	REMARKS OBSERVAÇÕES
55	6P2-82588-10	PLATE PLACA	1	1	
56	6P2-82389-10	PLATE 2 PLACA 2	1	1	
57	6AW-83651-00	SENDER, OIL PRESSURE SENSOR DE PRESSAO DO OLEO	1	1	
58	6P2-83597-00	CLAMP BRACADEIRA	1	1	
59	6P2-85780-00	SENSOR, KNOCK SENSOR	1	1	
60	90465-11M10	CLAMP BRACADEIRA	1	1	
61	6P3-1240H-00-9S	ANODE ASSY ANODO COMPLET	1	1	AP AP
62	90109-06M80	.BOLT .PARAFUSO	2	2	
63	6P3-11325-00	.ANODE .ANODO	1	1	
64	90105-05012	.BOLT, FLANGE .PARAFUSO FLANGE	1	1	
65	90430-05002	.GASKET .GAXETA	1	1	

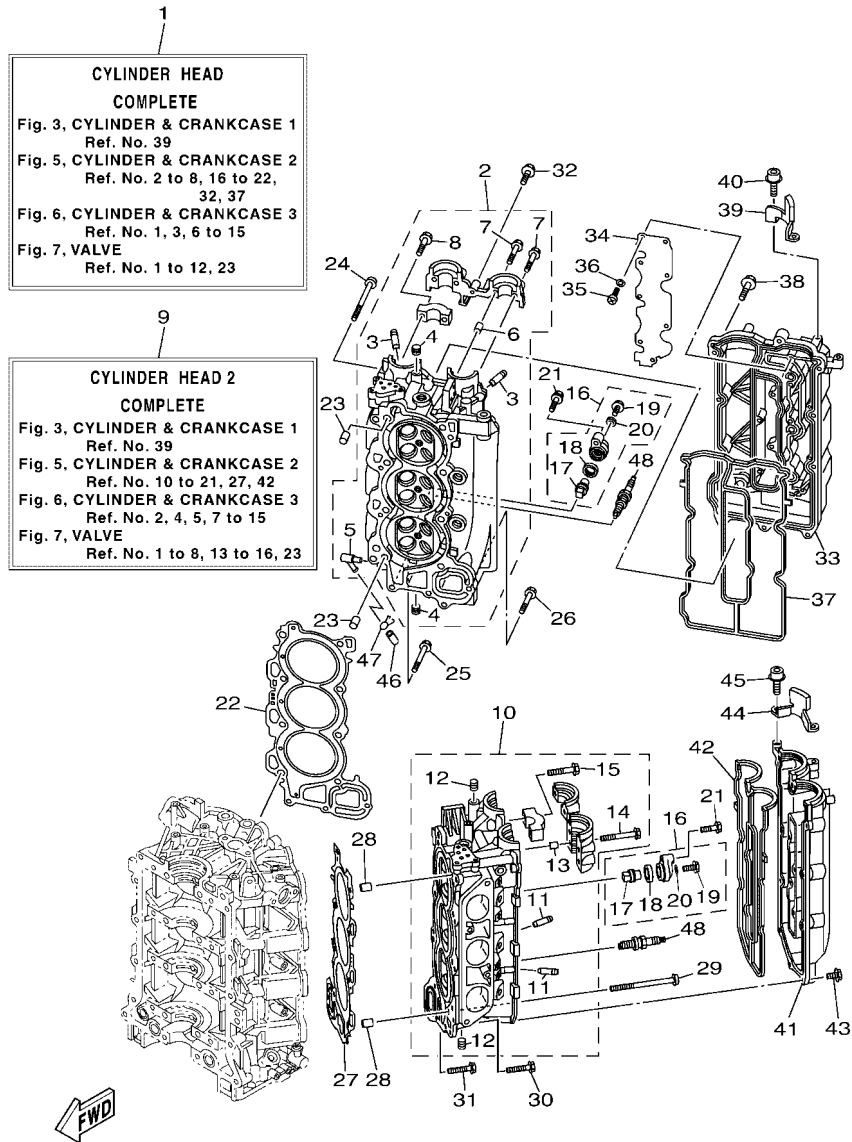
FIG. 4 CRANKSHAFT & PISTON

VIRABREQUIM E PISTAO




6ALB100-P040

REF. NO.	PART NO. No. PEÇA	DESCRIPTION DESCRIÇÃO	6P2D	6P3D	REMARKS OBSERVAÇÕES
1	6P2-11410-10	CRANKSHAFT VIRABREQUIM	1	1	
2	6CB-11478-00	.COLLAR .ESPACADOR	1	1	
3	93102-63004	OIL SEAL RETENTOR DE OLEO	1	1	
4	6P2-11416-00	PLANE BEARING, CRANKSHAFT 1 ROLAMENTO PLANO DO VIRABREQ. 1	4	4	UR YELLOW UR YELLOW
	6P2-11416-10	PLANE BEARING, CRANKSHAFT 1 ROLAMENTO PLANO DO VIRABREQ. 1	4	4	UR GREEN UR GREEN
	6P2-11416-20	PLANE BEARING, CRANKSHAFT 1 ROLAMENTO PLANO DO VIRABREQ. 1	4	4	UR BLUE UR BLUE
5	6P2-11417-00	PLANE BEARING, CRANKSHAFT 2 BRONZINA PLANA DO VIRABREQUIM	4	4	UR YELLOW UR YELLOW
	6P2-11417-10	PLANE BEARING, CRANKSHAFT 2 BRONZINA PLANA DO VIRABREQUIM	4	4	UR GREEN UR GREEN
	6P2-11417-20	PLANE BEARING, CRANKSHAFT 2 BRONZINA PLANA DO VIRABREQUIM	4	4	UR BLUE UR BLUE
6	6AW-11426-01	BEARING, THRUST 1 ROLAMENTO DE PROPULSAO 1	2	2	
7	6AW-11427-01	BEARING, THRUST 2 ROLAMENTO DE PROPULSAO 2	2	2	
8	6P2-11650-00	CONNECTING ROD ASSY BIELA COMPLETA	6	6	
9	63P-11654-10	.BOLT, CONNECTING ROD .PARAFUSO DA BIELA	2	2	
10	6P2-11656-00	PLANE BEARING, CONNECTING ROD BRONZINA PLANA DA BIELA	12	12	UR YELLOW UR YELLOW
	6P2-11656-10	PLANE BEARING, CONNECTING ROD BRONZINA PLANA DA BIELA	12	12	UR GREEN UR GREEN
	6P2-11656-20	PLANE BEARING, CONNECTING ROD BRONZINA PLANA DA BIELA	12	12	UR BLUE UR BLUE
11	6P2-11631-10-93	PISTON (STD) PISTAO (STD)	6	6	
	6P2-11635-10	PISTON (0.25MM O/S) PISTAO (0.25MM O/S)	6	6	AP AP
12	63P-11603-01	PISTON RING SET (STD) JOGO DE ANEIS (STD)	6	6	
	63P-11604-00	PISTON RING SET (0.25MM O/S) JOGO DE ANEIS (0.25MM O/S)	6	6	AP AP
13	63P-11633-10	PIN, PISTON PINO DO PISTAO	6	6	
14	63P-11634-00	CLIP, PISTON PIN PRESILHA DO PINO DO PISTAO	12	12	

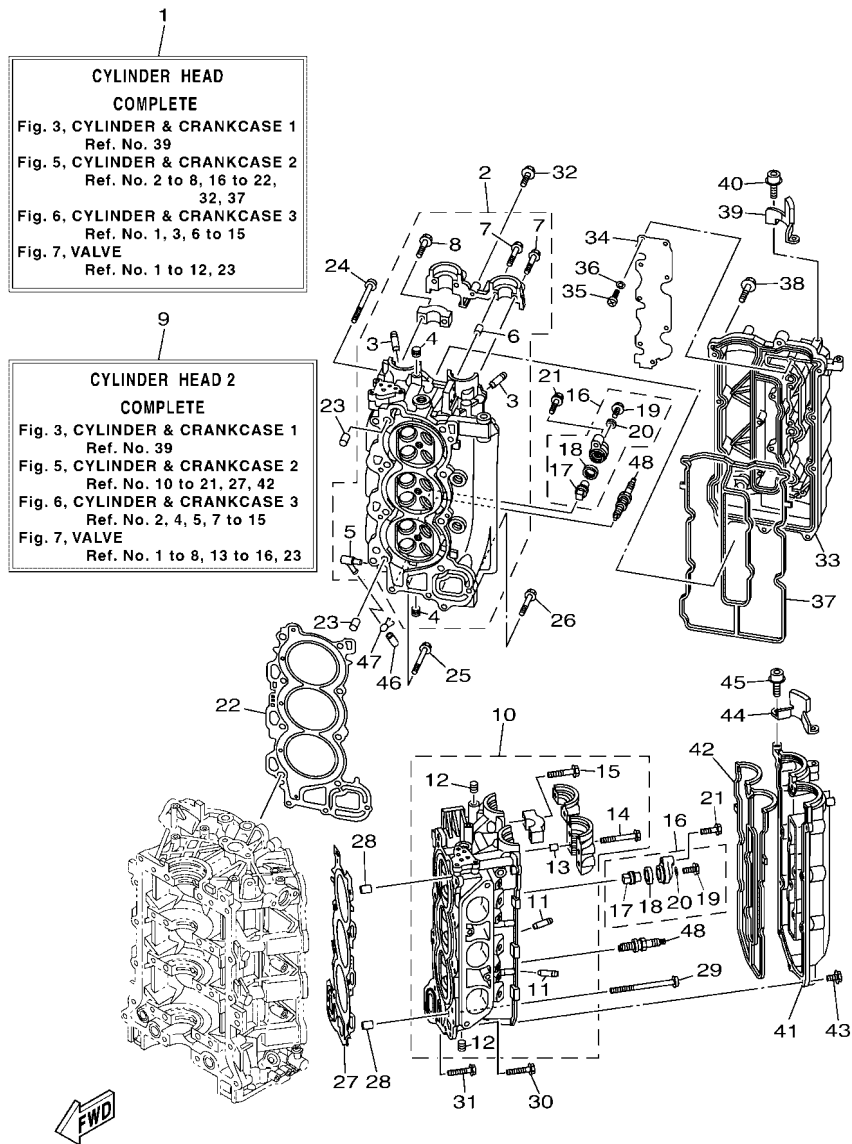


6ALB100-P050

FIG. 5 CYLINDER & CRANKCASE 2

CARCAÇA DO CILINDRO 2

REF. NO.	PART NO. No. PEÇA	DESCRIPTION DESCRIÇÃO	6P2D	6P3D			REMARKS OBSERVAÇÕES
1	6P2-W009A-04-9S	CYLINDER HEAD COMPLETE CABECOTE DO CILINDRO CONJ	1	1			
2	6P2-11110-11-9S	CYLINDER HEAD ASSY CABECOTE DO CILINDRO CONJ.	1	1			
3	6S5-11133-10	.GUIDE, VALVE 1 .GUIA DA VALVULA 1	12	12			
4	90344-51019	.PLUG, TAPER SCREW .TAMPAO DO PARAFUSO	7	7			
5	676-11372-00	.NIPPLE, HOSE .JUNCAO DA MANGUEIRA	1	1			
6	91809-08006	.PIN, DOWEL .PINO GUIA	2	2			
7	90119-07001	.BOLT, WITH WASHER .PARAFUSO COM ARRUELA	4	4			
8	90119-07234	.BOLT, WITH WASHER .PARAFUSO COM ARRUELA	14	14			
9	6P2-W009C-04-9S	CYLINDER HEAD 2 COMPLETE CABECOTE DO CILINDRO CONJ. 2	1	1			
10	6P2-11120-11-9S	CYLINDER HEAD ASSY 2 CABECOTE DO CILINDRO CONJ. 2	1	1			
11	6S5-11133-10	.GUIDE, VALVE 1 .GUIA DA VALVULA 1	12	12			
12	90344-51019	.PLUG, TAPER SCREW .TAMPAO DO PARAFUSO	3	3			
13	91809-08006	.PIN, DOWEL .PINO GUIA	4	4			
14	90119-07235	.BOLT/WASHER-CAM CAPS .PARAFUSO COM ARRUELA	6	6			
15	90119-07234	.BOLT, WITH WASHER .PARAFUSO COM ARRUELA	12	12			
16	69J-11301-00	ANODE COVER ASSY CAPA DO ANODO C.J.	4	4			
17	67F-11325-01	.ANODE .ANODO	1	1			
18	67F-11328-00	.GROMMET, ANODE .ILHO DO ANODO	1	1			
19	90105-06M07	.BOLT, FLANGE .PARAFUSO FLANGE	1	1			
20	90430-06M03	.GASKET .GAXETA	1	1			
21	97575-08540	BOLT, WITH WASHER PARAFUSO COM ARRUELA	4	4			
22	6P2-11181-00	GASKET, CYLINDER HEAD 1 GAXETA, CABECOTE DO CILINDRO 1	1	1			
23	99530-14016	PIN, DOWEL PINO GUIA	2	2			
24	90155-10004	SCREW, FLAT FILLISTER PARAFUSO	8	8			
25	90119-08M91	BOLT, WITH WASHER PARAFUSO COM ARRUELA	2	2			
26	90119-08021	BOLT, WITH WASHER PARAFUSO COM ARRUELA	1	1			
27	6P2-11182-00	GASKET, CYLINDER HEAD 2 GAXETA CABECOTE DO CILINDRO 2	1	1			



6ALB100-P050

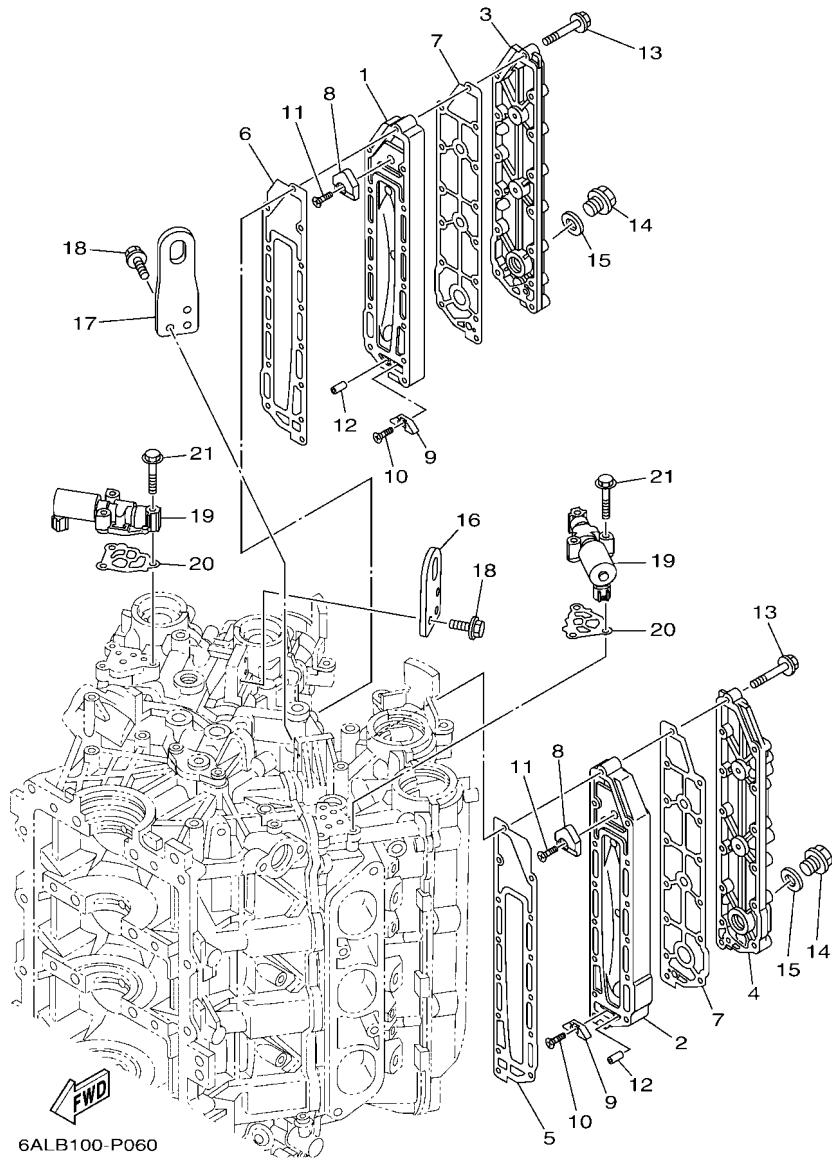
FIG. 5 CYLINDER & CRANKCASE 2

CARCAÇA DO CILINDRO 2

REF. NO.	PART NO. No. PEÇA	DESCRIPTION DESCRIÇÃO	6P2D	6P3D	REMARKS OBSERVAÇÕES
28	99530-14016	PIN, DOWEL PINO GUIA	2	2	
29	90155-10004	SCREW, FLAT FILLISTER PARAFUSO	8	8	
30	90119-08M91	BOLT, WITH WASHER PARAFUSO COM ARRUELA	2	2	
31	90119-08021	BOLT, WITH WASHER PARAFUSO COM ARRUELA	1	1	
32	97595-06530	BOLT, WITH WASHER PARAFUSO COM ARRUELA	1	1	
33	6P2-11191-00-9S	COVER, CYLINDER HEAD 1 TAMPA, CABECOTE DO CILINDRO 1	1	1	
34	6P2-11135-00	PLATE, BREATHER 3 PLACA DE RESPIRO 3	1	1	
35	98507-04008	SCREW, PAN HEAD PARAFUSO	9	9	
36	92907-04600	WASHER ARRUELA	9	9	
37	6P2-11193-00	GASKET, HEAD COVER 1 GAXETA DA TAMPA DO CABECOTE 1	1	1	
38	97595-06530	BOLT, WITH WASHER PARAFUSO COM ARRUELA	14	14	
39	6P2-15142-00	GUIDE 1 GUIA 1	1	1	
40	90110-06150	BOLT, HEXAGON SOCKET HEAD PARAFUSO HEXAGONAL INTERNO	2	2	
41	6P2-11192-00-9S	COVER, CYLINDER HEAD 2 TAMPA, CABECOTE DO CILINDRO 2	1	1	
42	6P2-11194-00	GASKET, HEAD COVER 2 GAXETA DO CABECOTE DO CILINDRO	1	1	
43	97595-06530	BOLT, WITH WASHER PARAFUSO COM ARRUELA	14	14	
44	6P2-15143-00	GUIDE GUIA	1	1	
45	90110-06150	BOLT, HEXAGON SOCKET HEAD PARAFUSO HEXAGONAL INTERNO	2	2	
46	6P2-13448-00	CAP CAPA	1	1	
47	90467-08M18	CLIP PRESILHA	1	1	
48	94702-00400	PLUG, SPARK (NGK LFR6A-11) VELA DE IGNICAO (NGK LFR6A-11)	6	6	

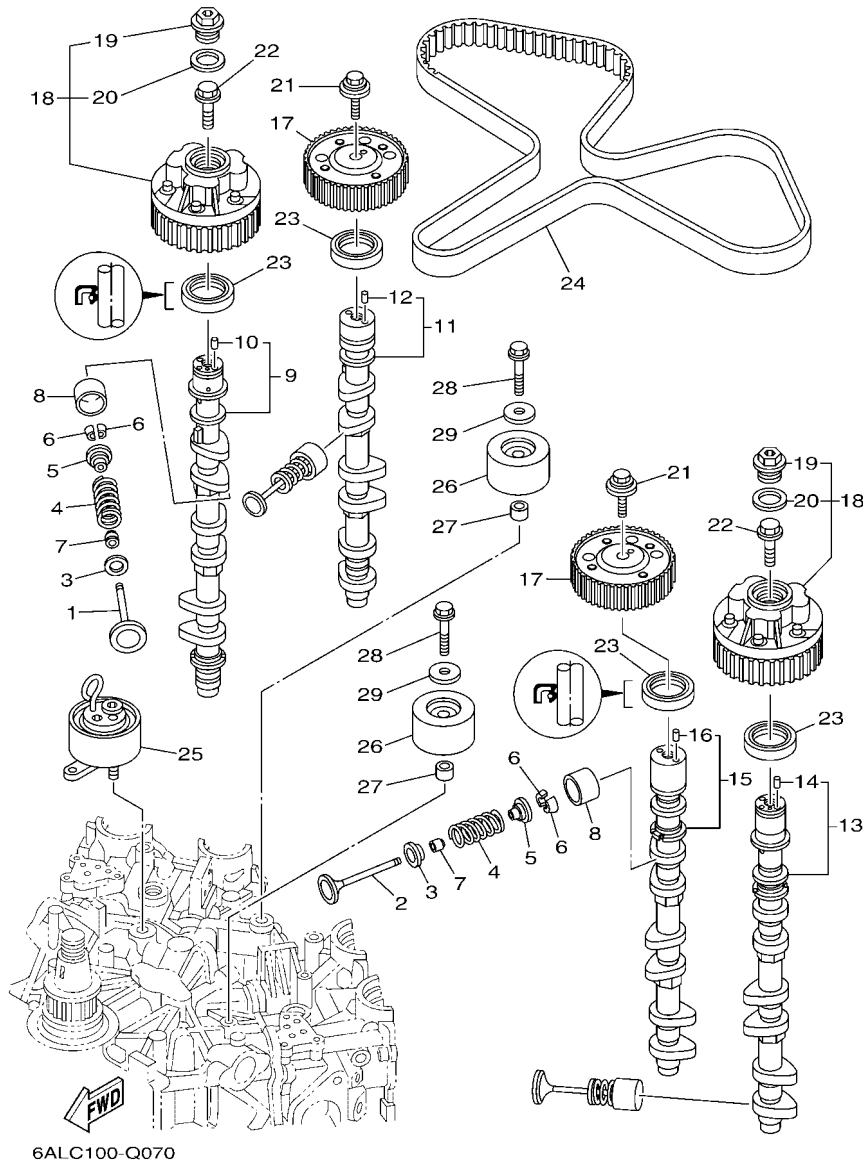
FIG. 6 CYLINDER & CRANKCASE 3

CARCAÇA DO CILINDRO 3



6ALB100-P060

REF. NO.	PART NO. No. PEÇA	DESCRIPTION DESCRIÇÃO	6P2D	6P3D	REMARKS OBSERVAÇÕES
1	69J-41111-01-9S	INNER COVER, EXHAUST TAMPA INTERNA DO ESCAPE	1	1	
2	69J-41121-01-9S	INNER COVER, EXHAUST TAMPA INTERNA DO ESCAPE	1	1	
3	69J-41113-02-9S	OUTER COVER, EXHAUST TAMPA EXTERNA DO ESCAPE	1	1	
4	69J-41123-02-9S	OUTER COVER, EXHAUST TAMPA EXTERNA DO ESCAPE	1	1	
5	6P2-41112-00	GASKET, EXHAUST INNER COVER GAXETA TAMPA INTERNA DO ESCAPE	1	1	
6	6P2-41122-00	GASKET, EXHAUST INNER COVER GAXETA TAMPA INTERNA DO ESCAPE	1	1	
7	6P2-41114-00	GASKET, EXHAUST OUTER COVER GAXETA TAMPA EXTERNA DO ESCAPE	2	2	
8	6P2-11325-00	ANODE ANODO	2	2	
9	6E5-11325-00	ANODE ANODO	2	2	
10	98780-04016	SCREW, FLAT HEAD PARAFUSO CABECA PLANA	2	2	
11	90151-06M02	SCREW, COUNTERSUNK PARAFUSO TRAMBULADOR	2	2	
12	91690-40010	PIN, SPRING PINO MOLA	2	2	
13	90119-06027	BOLT, WITH WASHER PARAFUSO COM ARRUELA	28	28	
14	90340-18M09	PLUG, STRAIGHT SCREW TAMPAO DO DRENO	2	2	
15	90201-186F1	WASHER, PLATE ARRUELA PLANA	2	2	
16	6P2-11119-00	HANGER, ENGINE ALCA DO MOTOR	1	1	
17	6P2-1111E-00	HANGER, ENGINE 2 ALCA DO MOTOR 2	1	1	
18	90105-06M09	BOLT, FLANGE PARAFUSO FLANGE	6	6	
19	6CB-86120-00	SOLENOID VALVE ASSY VALVULA SOLENOIDE CONJ.	2	2	
20	6CB-1242F-00	GASKET, FILTER GAXETA DO FILTRO	2	2	
21	90105-06035	BOLT, FLANGE PARAFUSO FLANGE	6	6	

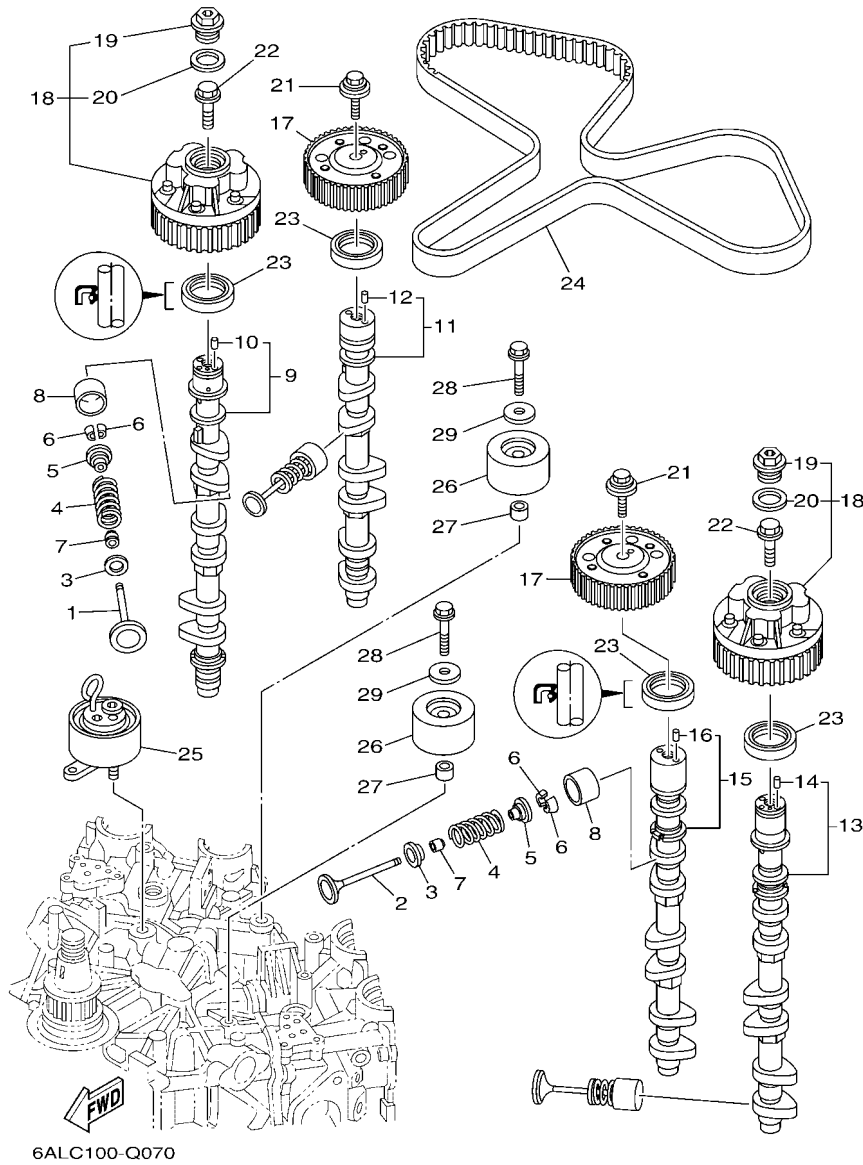


6ALC100-Q070

FIG. 7 VALVE

VALVULA

REF. NO.	PART NO. No. PEÇA	DESCRIPTION DESCRIÇÃO	6P2D	6P3D	REMARKS OBSERVAÇÕES
1	6P2-12111-10	VALVE, INTAKE VALVULA DE ADMISSAO	12	12	
2	6DX-12121-00	VALVE, EXHAUST VALVULA DE ESCAPE	12	12	
3	K0F-A3743-00	SEAT, VALVE SPRING ASSENTO INFERIOR DA MOLA	24	24	
4	6CB-12113-00	SPRING, VALVE INNER MOLA INTERNA DA VALVULA	24	24	
5	K0F-A3741-00	RETAINER, VALVE SPRING ASSENTO DA MOLA DA VALVULA	24	24	
6	K0F-A3742-00	LOCK, VALVE SPRING RETAINER TRAVA DA VALVULA	48	48	
7	51Y-12119-00	SEAL, VALVE STEM RETENTOR DA HASTE DA VALVULA	24	24	
8	K0F-A3751-00	LIFTER, VALVE (3.000) LEVANTADOR DA VALVULA (3.000)	24	24	UR
	K0F-A3751-10	LIFTER, VALVE (3.025) LEVANTADOR DA VALVULA (3.025)	24	24	UR
	K0F-A3751-20	LIFTER, VALVE (3.050) LEVANTADOR DA VALVULA (3.050)	24	24	UR
	K0F-A3751-30	LIFTER, VALVE (3.075) LEVANTADOR DA VALVULA (3.075)	24	24	UR
	K0F-A3751-40	LIFTER, VALVE (3.100) LEVANTADOR DA VALVULA (3.100)	24	24	UR
	K0F-A3751-50	LIFTER, VALVE (3.122) LEVANTADOR DA VALVULA (3.122)	24	24	UR
	K0F-A3751-60	LIFTER, VALVE (3.142) LEVANTADOR DA VALVULA (3.142)	24	24	UR
	K0F-A3751-70	LIFTER, VALVE (3.162) LEVANTADOR DA VALVULA (3.162)	24	24	UR
	K0F-A3751-80	LIFTER, VALVE (3.182) LEVANTADOR DA VALVULA (3.182)	24	24	UR
	K0F-A3751-90	LIFTER, VALVE (3.202) LEVANTADOR DA VALVULA (3.202)	24	24	UR
	K0F-A3751-A0	LIFTER, VALVE (3.222) LEVANTADOR DA VALVULA (3.222)	24	24	UR
	K0F-A3751-B0	LIFTER, VALVE (3.242) LEVANTADOR DA VALVULA (3.242)	24	24	UR
	K0F-A3751-C0	LIFTER, VALVE (3.262) LEVANTADOR DA VALVULA (3.262)	24	24	UR
	K0F-A3751-D0	LIFTER, VALVE (3.282) LEVANTADOR DA VALVULA (3.282)	24	24	UR
	K0F-A3751-E0	LIFTER, VALVE (3.302) LEVANTADOR DA VALVULA (3.302)	24	24	UR
	K0F-A3751-F0	LIFTER, VALVE (3.322) LEVANTADOR DA VALVULA (3.322)	24	24	UR
	K0F-A3751-G0	LIFTER, VALVE (3.342) LEVANTADOR DA VALVULA (3.342)	24	24	UR
	K0F-A3751-H0	LIFTER, VALVE (3.362) LEVANTADOR DA VALVULA (3.362)	24	24	UR
	K0F-A3751-J0	LIFTER, VALVE (3.382) LEVANTADOR DA VALVULA (3.382)	24	24	UR
	K0F-A3751-K0	LIFTER, VALVE (3.402) LEVANTADOR DA VALVULA (3.402)	24	24	UR



6ALC100-Q070

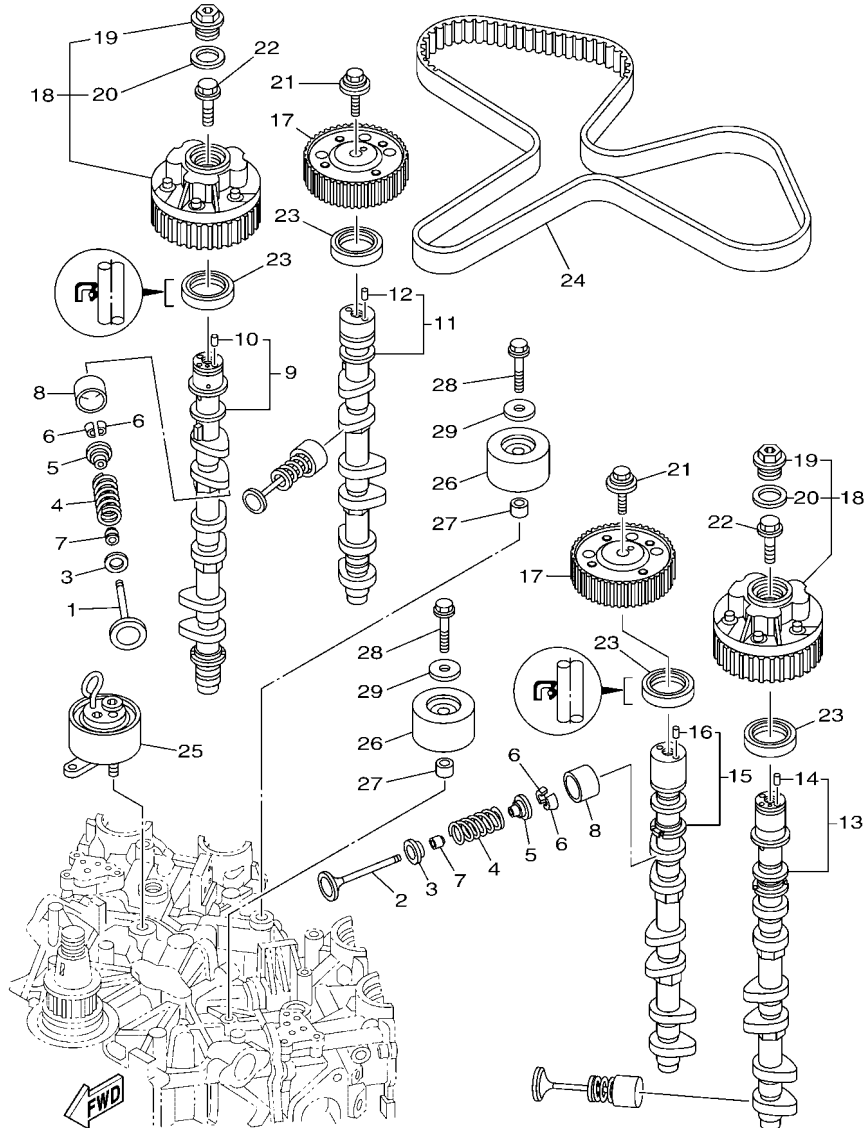
FIG. 7 VALVE

VALVULA

REF. NO.	PART NO. No. PEÇA	DESCRIPTION DESCRIÇÃO	6P2D	6P3D	REMARKS OBSERVAÇÕES
8	K0F-A3751-L0	LIFTER, VALVE (3.422) LEVANTADOR DA VALVULA (3.422)	24	24	UR
	K0F-A3751-M0	LIFTER, VALVE (3.442) LEVANTADOR DA VALVULA (3.442)	24	24	UR
	K0F-A3751-N0	LIFTER, VALVE (3.462) LEVANTADOR DA VALVULA (3.462)	24	24	UR
	K0F-A3751-P0	LIFTER, VALVE (3.482) LEVANTADOR DA VALVULA (3.482)	24	24	UR
	K0F-A3751-R0	LIFTER, VALVE (3.502) LEVANTADOR DA VALVULA (3.502)	24	24	UR
	K0F-A3751-S0	LIFTER, VALVE (3.522) LEVANTADOR DA VALVULA (3.522)	24	24	UR
	K0F-A3751-T0	LIFTER, VALVE (3.542) LEVANTADOR DA VALVULA (3.542)	24	24	UR
	K0F-A3753-00	LIFTER, VALVE (3.562) LEVANTADOR DA VALVULA (3.562)	24	24	UR
	K0F-A3753-10	LIFTER, VALVE (3.582) LEVANTADOR DA VALVULA (3.582)	24	24	UR
	K0F-A3753-20	LIFTER, VALVE (3.602) LEVANTADOR DA VALVULA (3.602)	24	24	UR
	K0F-A3753-30	LIFTER, VALVE (3.625) LEVANTADOR DA VALVULA (3.625)	24	24	UR
	K0F-A3753-40	LIFTER, VALVE (3.650) LEVANTADOR DA VALVULA (3.650)	24	24	UR
	K0F-A3753-50	LIFTER, VALVE (3.675) LEVANTADOR DA VALVULA (3.675)	24	24	UR
	K0F-A3753-60	LIFTER, VALVE (3.700) LEVANTADOR DA VALVULA (3.700)	24	24	UR
	K0F-A3753-70	LIFTER, VALVE (3.725) LEVANTADOR DA VALVULA (3.725)	24	24	UR
9	6P2-12171-11	CAMSHAFT 1 EIXO DE COMANDO 1	1	1	
10	93605-10108	.PIN, DOWEL .PINO	1	1	
11	6P2-12181-11	CAMSHAFT 2 EIXO DE COMANDO 2	1	1	
12	93605-10108	.PIN, DOWEL .PINO	1	1	
13	6P2-12172-11	CAMSHAFT 3 EIXO DE COMANDO 3	1	1	
14	93605-10108	.PIN, DOWEL .PINO	1	1	
15	6P2-12182-11	CAMSHAFT 4 EIXO DE COMANDO 4	1	1	
16	93605-10108	.PIN, DOWEL .PINO	1	1	
17	6FA-11567-00	GEAR, DRIVEN 2 ENGRENAGEM MOTRIZ 2	2	2	
18	6P2-12645-20	PULLEY ASSY 1 POLIA CONJ. 1	2	2	
19	6P2-12623-00	.BOLT .PARAFUSO	1	1	
20	6P2-12663-00	.GASKET .GAXETA	1	1	

FIG. 7 VALVE

VALVULA

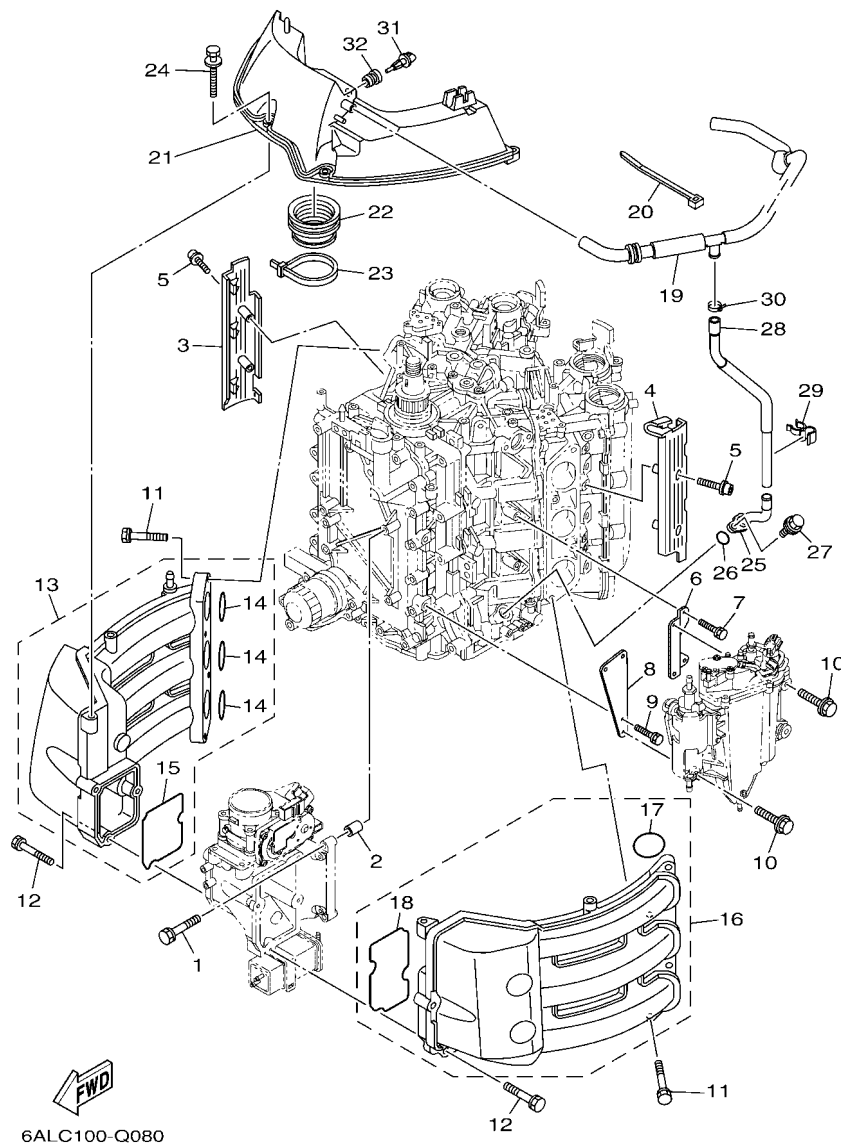


6ALC100-Q070

REF. NO.	PART NO. No. PEÇA	DESCRIPTION DESCRIÇÃO			REMARKS OBSERVAÇÕES
			6P2D	6P3D	
21	90119-10050	BOLT, WITH WASHER PARAFUSO COM ARRUELA	2	2	
22	6P2-12615-00	BOLT PARAFUSO	2	2	
23	93102-38008	OIL SEAL RETENTOR DE OLEO	4	4	
24	6P2-46241-02	BELT CINTO	1	1	
25	6P2-11590-01	TENSIONER ASSY TENSIONADOR CONJUNTO	1	1	
26	6P2-15512-00	GEAR, IDLER 1 ENGRENAGEM LOUCA 1	2	2	
27	99530-14016	PIN, DOWEL PINO GUIA	2	2	
28	90119-10M07	BOLT, WITH WASHER PARAFUSO COM ARRUELA	2	2	
29	90201-10M01	WASHER, PLATE ARRUELA PLANA	2	2	

FIG. 8 INTAKE 1

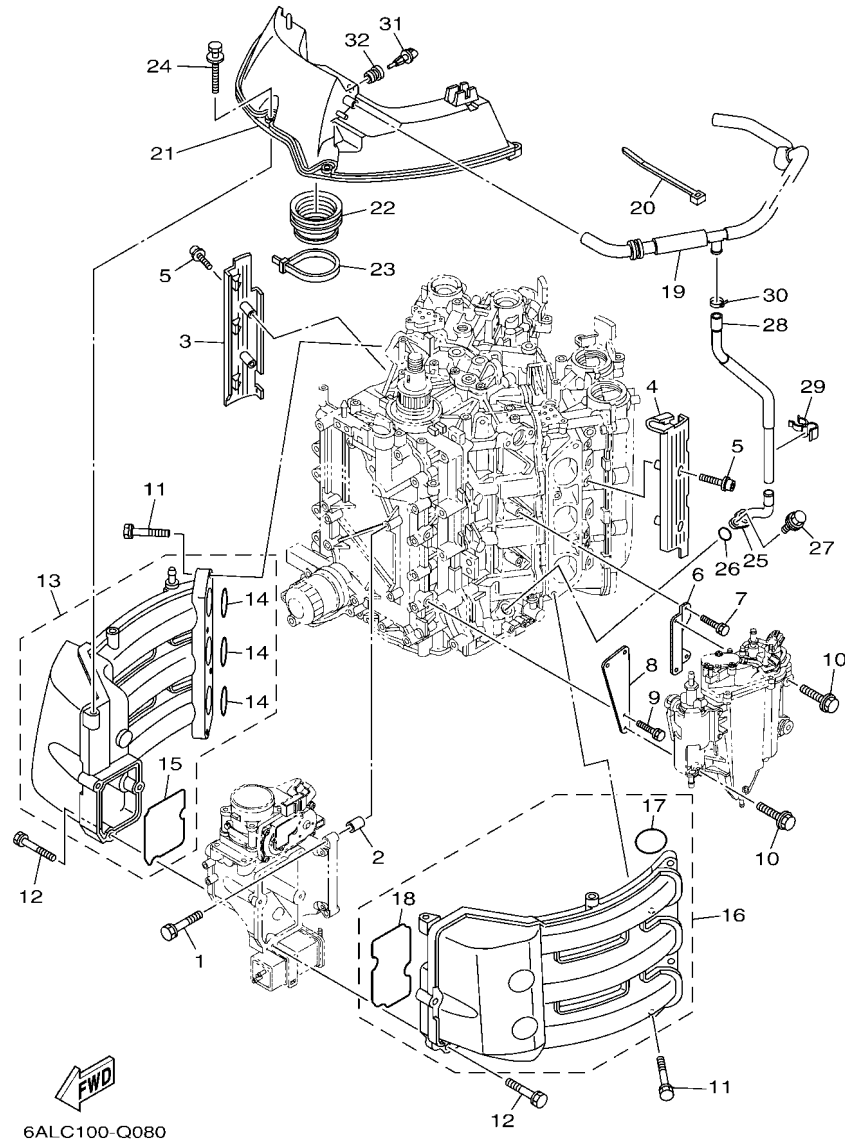
ADMISSAO 1



REF. NO.	PART NO. No. PEÇA	DESCRIPTION DESCRIÇÃO	6P2D	6P3D	REMARKS OBSERVAÇÕES
1	97575-08540	BOLT, WITH WASHER PARAFUSO COM ARRUELA	4	4	
2	99530-10114	PIN, DOWEL PINO GUIA	2	2	
3	6P2-13564-00	COVER, MANIFOLD TAMPA DO TUBO MULTIPLO	1	1	
4	6P2-13594-00	COVER, MANIFOLD 2 JUNCAO DO TUBO MULTIPLO 2	1	1	
5	90110-06038	BOLT, HEXAGON SOCKET HEAD PARAFUSO HEXAGONAL INTERNO	4	4	
6	6P2-24422-10	PLATE PLACA	1	1	
7	97575-06516	BOLT, WITH WASHER PARAFUSO COM ARRUELA	2	2	
8	6P2-24419-00	BRKT., SEPARATOR SUPORTE DO SEPARADOR	1	1	
9	97575-06516	BOLT, WITH WASHER PARAFUSO COM ARRUELA	2	2	
10	90119-06M24	BOLT, WITH WASHER PARAFUSO COM ARRUELA	4	4	
11	97575-08540	BOLT, WITH WASHER PARAFUSO COM ARRUELA	8	8	
12	90119-06MA6	BOLT, WITH WASHER PARAFUSO COM ARRUELA	7	7	
13	6P2-13641-00	MANIFOLD, INTAKE 1 TUBO MULTIPLO DE ADMISSAO 1	1	1	
14	6P2-13645-00	.GASKET, MANIFOLD 1 .GAXETA DO TUBO MULTIPLO 1	3	3	
15	6P2-13646-00	.GASKET, MANIFOLD 2 .GAXETA DO TUBO MULTIPLO 2	1	1	
16	6P2-13642-00	MANIFOLD 2 TUBO MULTIPLO 2	1	1	
17	6P2-13645-00	.GASKET, MANIFOLD 1 .GAXETA DO TUBO MULTIPLO 1	3	3	
18	6P2-13647-00	.GASKET, MANIFOLD 3 .GAXETA DO TUBO MULTIPLO 3	1	1	
19	6P2-15373-02	PIPE, BREATHER TUBO DO RESPIRO	1	1	
20	90465-13M18	CLAMP BRACADEIRA	1	1	
21	6P2-14440-00	SILENCER ASSY, INTAKE SILENCIADOR DA ADMISSAO CONJ.	1	1	
22	6P2-1441J-00	PIPE, SILENCER TUBO DO SILENCIADOR	1	1	
23	90464-99004	CLAMP BRACADEIRA	1	1	
24	90119-06M35	BOLT, WITH WASHER PARAFUSO COM ARRUELA	4	4	
25	6P2-11372-00	NIPPLE, HOSE JUNCAO DA MANGUEIRA	1	1	
26	93210-19MJ3	O-RING ANEL DE BORRACHA	1	1	
27	97595-06620	BOLT, WITH WASHER PARAFUSO COM ARRUELA	1	1	

FIG. 8 INTAKE 1

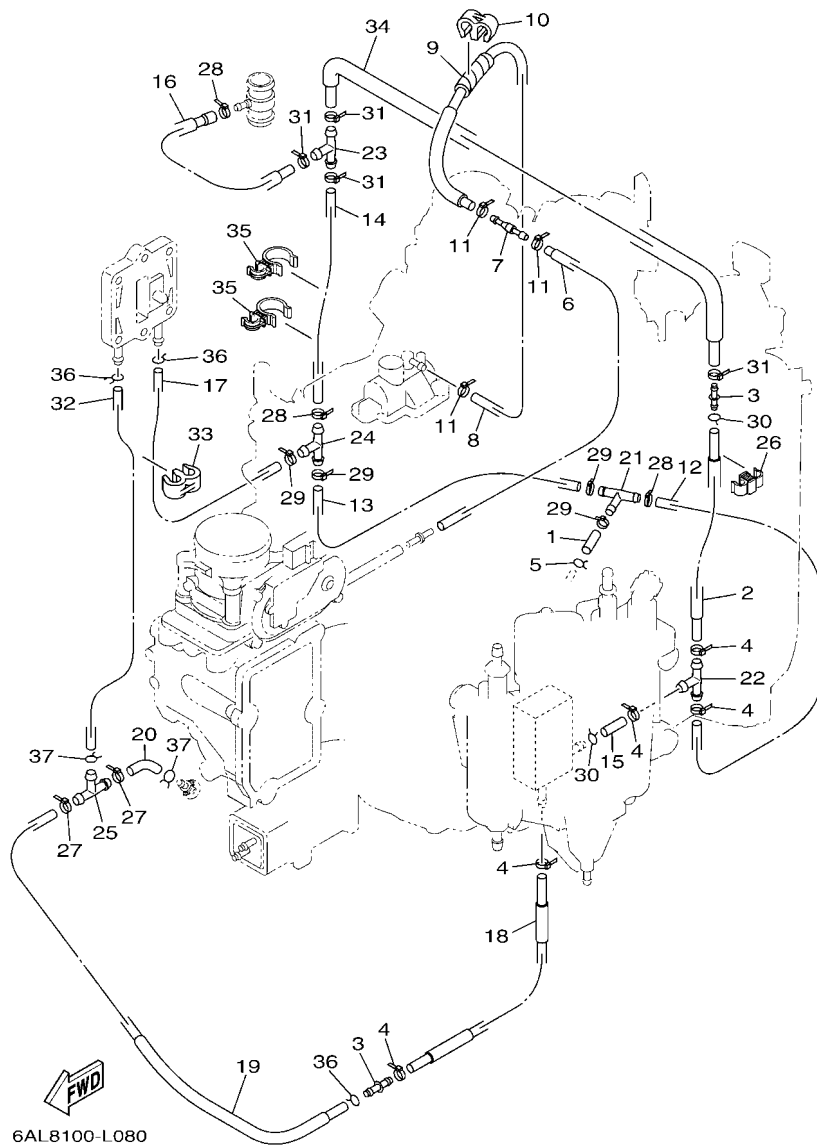
ADMISSAO 1



REF. NO.	PART NO. No. PEÇA	DESCRIPTION DESCRIÇÃO	6P2D	6P3D	REMARKS OBSERVAÇÕES
28	6P2-11377-00	HOSE MANGUEIRA	1	1	
29	90464-20011	CLAMP BRACADEIRA	1	1	
30	90465-11M10	CLAMP BRACADEIRA	1	1	
31	63P-85886-00	SENSOR, AIR TEMPERATURE SENSOR DE TEMPERATURA DO AR	1	1	
32	63P-14435-00	GROMMET ILHO	1	1	

FIG. 9 INTAKE 2

ADMISSAO 2



6AL8100-L080

REF. NO.	PART NO. No. PEÇA	DESCRIPTION DESCRIÇÃO	6P2D	6P3D	REMARKS OBSERVAÇÕES
1	90445-09040	HOSE (L50) TUBO (L50)	1	1	
2	6P2-12484-01	PIPE 4 TUBO 4	1	1	
3	6CE-24376-01	PIPE, JOINT 1 JUNCAO DO TUBO 1	2	2	
4	90465-11M10	CLAMP BRACADEIRA	5	5	
5	90467-09M03	CLIP PRESILHA	1	1	
6	6P2-12482-00	PIPE 2 TUBO 2	1	1	
7	6E5-21744-00	BREATHER RESPIRO	1	1	
8	6P2-12483-00	PIPE 3 TUBO 3	1	1	
9	90446-10M01	HOSE (L60) TUBO (L60)	1	1	
10	90464-60067	CLAMP BRACADEIRA	1	1	
11	90465-11M10	CLAMP BRACADEIRA	3	3	
12	90445-09041	HOSE (L500) TUBO (L500)	1	1	
13	90445-09224	HOSE (L270) TUBO (L270)	1	1	
14	90445-09097	HOSE (L250) TUBO (L250)	1	1	
15	90445-09220	HOSE (L30) TUBO (L30)	1	1	
16	6P2-12485-00	PIPE 5 TUBO 5	1	1	
17	6P2-1248A-00	PIPE 8 TUBO 8	1	1	
18	6P2-1248E-00	PIPE 9 TUBO 9	1	1	
19	6P2-14752-00	PIPE, OUTLET TUBO DE ESCAPE	1	1	
20	61A-24316-00	PIPE 6 TUBO 6	1	1	
21	688-24378-00	PIPE, JOINT 3 JUNCAO DO TUBO 3	1	1	
22	688-24378-00	PIPE, JOINT 3 JUNCAO DO TUBO 3	1	1	
23	688-24378-00	PIPE, JOINT 3 JUNCAO DO TUBO 3	1	1	
24	688-24378-00	PIPE, JOINT 3 JUNCAO DO TUBO 3	1	1	
25	688-24378-00	PIPE, JOINT 3 JUNCAO DO TUBO 3	1	1	
26	90464-09013	CLAMP BRACADEIRA	1	1	
27	90465-11M10	CLAMP BRACADEIRA	2	2	

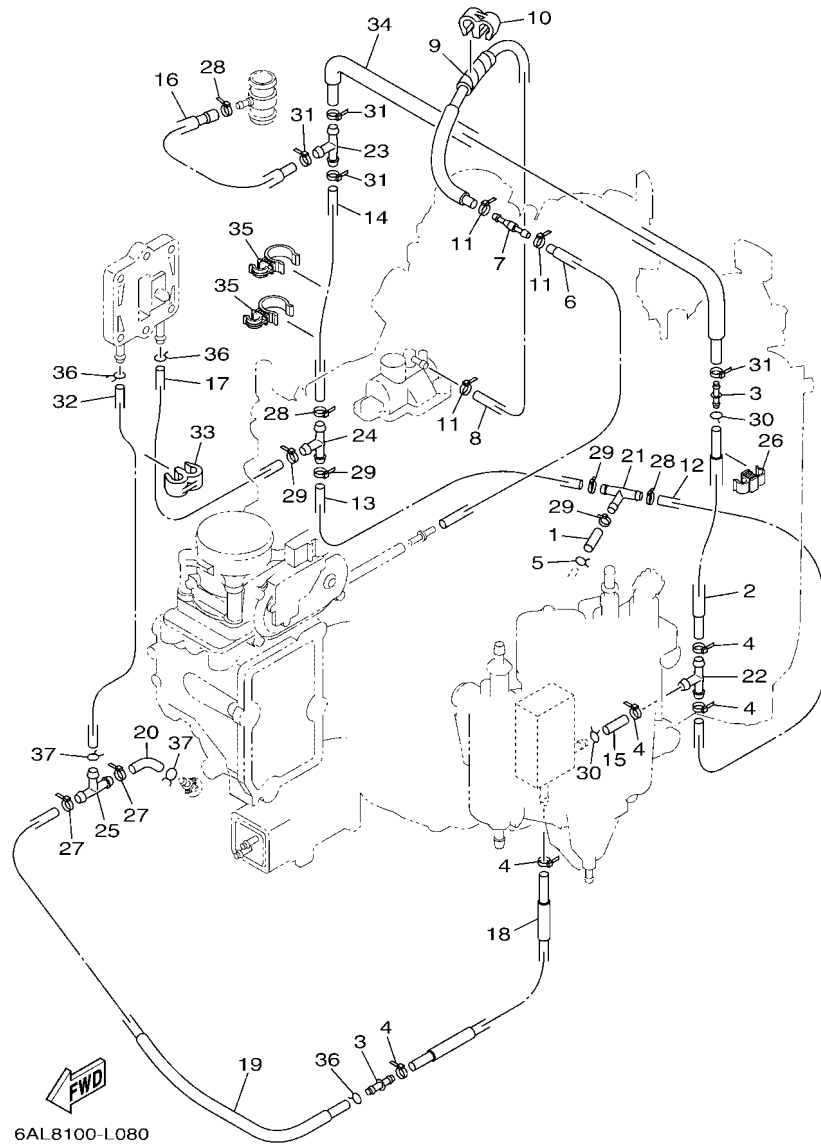
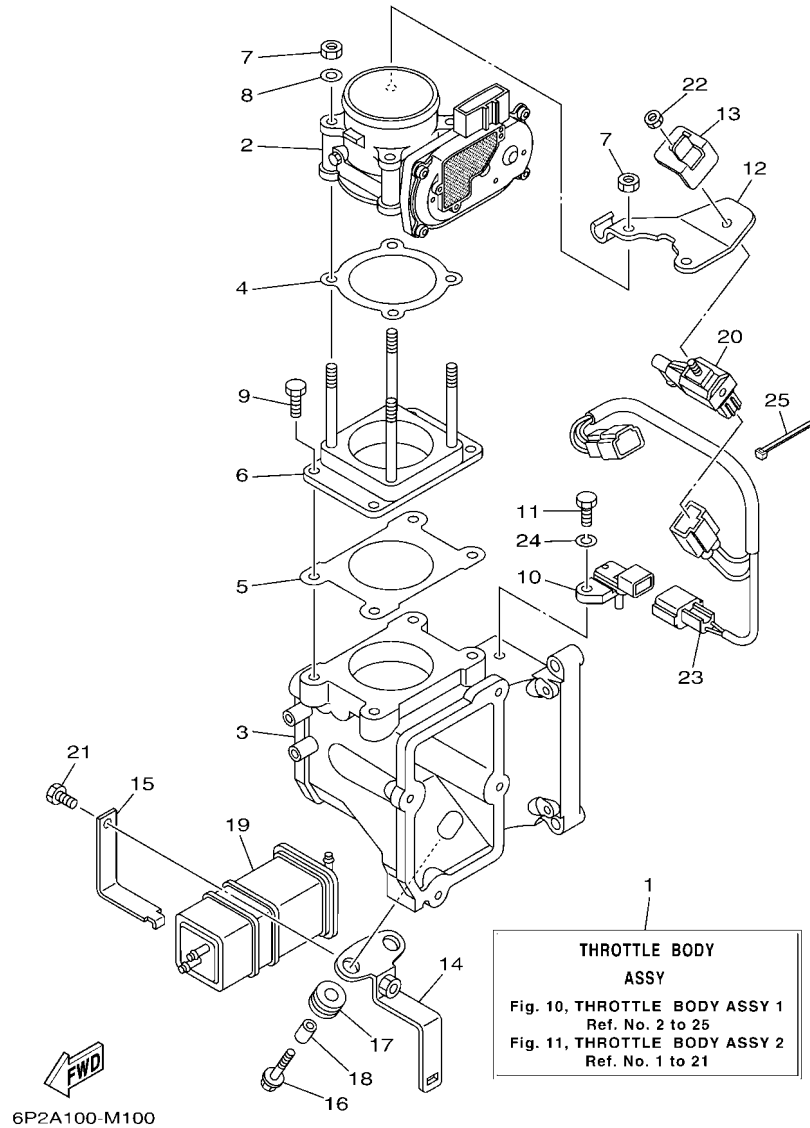


FIG. 9 INTAKE 2

ADMISSAO 2

REF. NO.	PART NO. No. PEÇA	DESCRIPTION DESCRIÇÃO	6P2D	6P3D	REMARKS OBSERVAÇÕES
28	90465-11M10	CLAMP BRACADEIRA	3	3	
29	90465-11M10	CLAMP BRACADEIRA	4	4	
30	90467-08M18	CLIP PRESILHA	2	2	
31	90465-11M10	CLAMP BRACADEIRA	4	4	
32	90445-09304	HOSE (L310) TUBO (L310)	1	1	
33	90464-60067	CLAMP BRACADEIRA	1	1	
34	6P2-12481-12	PIPE 1 TUBO 1	1	1	
35	90464-21002	CLAMP BRACADEIRA	2	2	
36	90467-08M18	CLIP PRESILHA	3	3	
37	90467-09M09	CLIP PRESILHA	2	2	



THROTTLE BODY ASSY
 Fig. 10, THROTTLE BODY ASSY 1
 Ref. No. 2 to 25
 Fig. 11, THROTTLE BODY ASSY 2
 Ref. No. 1 to 21

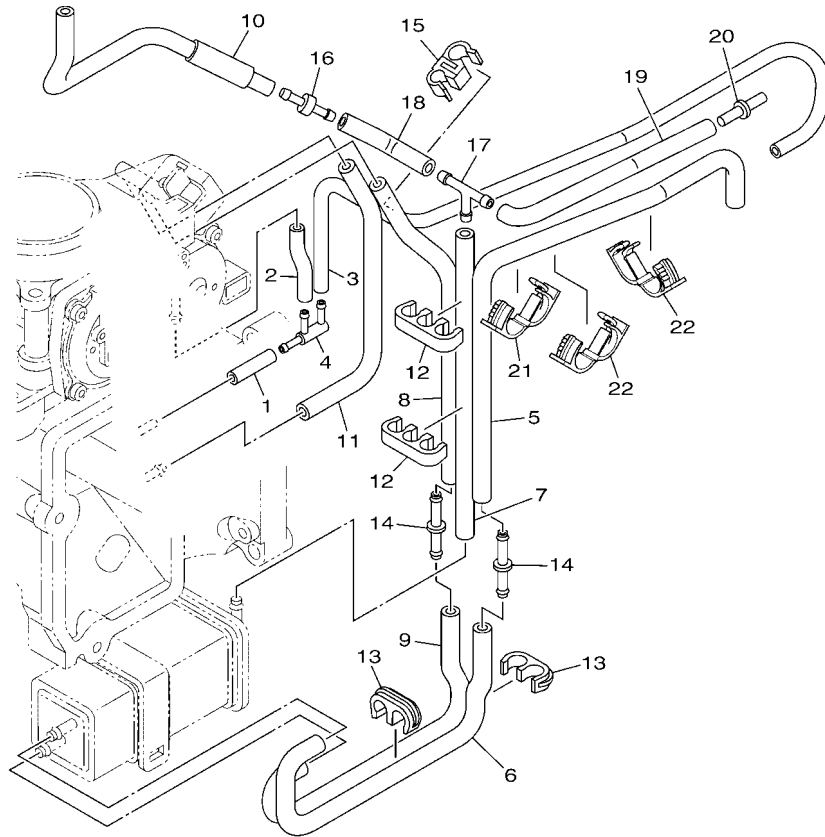
FIG. 10 THROTTLE BODY ASSY 1

CORPO DO ACELERADOR CONJUNTO 1

REF. NO.	PART NO. No. PEÇA	DESCRIPTION DESCRIÇÃO	6P2D	6P3D	REMARKS OBSERVAÇÕES
1	6P2-13750-10	THROTTLE BODY ASSY CORPO DE ACELERACAO CONJ.	1	1	
2	6P2-13751-01	BODY, THROTTLE 1 CORPO DE ACELERACAO 1	1	1	
3	6P2-13711-00	MIXING BODY CORPO DO MISTURADOR	1	1	
4	6P2-13556-00	GASKET, MANIFOLD GAXETA DO TUBO MULTIPLO	1	1	
5	6P2-13557-00	GASKET GAXETA	1	1	
6	6P2-14360-00	THROTTLE DAMPER ASSY AMORTIZADOR, ACELERADOR CJ	1	1	
7	6P2-13588-00	NUT PORCA	4	4	
8	6P2-13578-00	WASHER ARRUELA	2	2	
9	6P2-14496-00	BOLT PARAFUSO	4	4	
10	6P2-82380-00	SENSOR, PRESSURE SENSOR DE PRESSAO	1	1	
11	6P2-13573-00	BOLT 1 PARAFUSO 1	1	1	
12	6P2-14255-00	PLATE PLACA	1	1	
13	6P2-14159-00	CLIP PRESILHA	1	1	
14	6P2-2134X-00	BRACKET, CANISTER SUPORTE	1	1	
15	6P2-2419A-00	HOLDER FIXADOR	1	1	
16	90119-06M59	BOLT, WITH WASHER PARAFUSO COM ARRUELA	2	2	
17	90480-10M23	GROMMET ILHO DE BORRACHA	2	2	
18	90387-06289	COLLAR ESPACADOR	2	2	
19	6P2-24170-00	CANISTER ASSY CANISTER	1	1	
20	6C5-86120-00	SOLENOID VALVE ASSY VALVULA SOLENOIDE CONJ.	1	1	
21	6P2-13574-00	BOLT 2 PARAFUSO 2	1	1	
22	69J-14164-00	NUT, HOLDING PORCA DO PULVERIZADOR	1	1	
23	6P2-8258A-00	EXTENSION, WIRE HARNESS EXTENSAO DO CHICOTE DE FIOS	1	1	
24	68V-14356-00	WASHER, SPRING ARRUELA DE PRESSAO	1	1	
25	68V-2481H-00	CLAMP CINTA	1	1	

FIG. 11 THROTTLE BODY ASSY 2

CORPO DO ACELADOR CONJUNTO 2

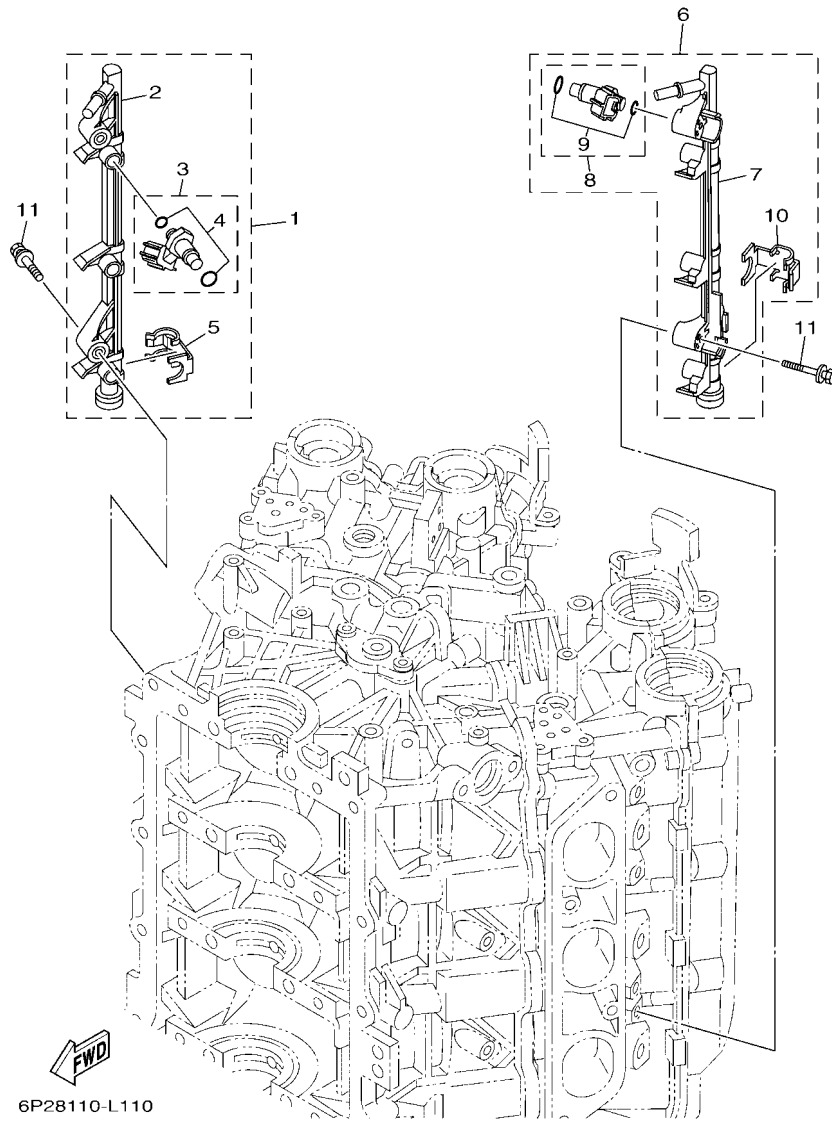



6P28110-L100

REF. NO.	PART NO. No. PEÇA	DESCRIPTION DESCRIÇÃO	6P2D	6P3D	REMARKS OBSERVAÇÕES
1	6P2-14349-00	PIPE TUBO	1	1	
2	6P2-13533-00	HOSE, VACUUM SENSING 4 TUBO DE VACUO 4	1	1	
3	6P2-13532-10	HOSE, VACUUM SENSING 3 TUBO DE VACUO 3	1	1	
4	6P2-13595-00	JOINT JUNCAO	1	1	
5	6P2-1475A-10	PIPE 1 TUBO 1	1	1	
6	6P2-1475E-00	PIPE 2 TUBO 2	1	1	
7	6P2-13545-00	HOSE 1 MANGUEIRA 1	1	1	
8	6P2-1475F-00	PIPE 3 TUBO 3	1	1	
9	6P2-1475G-00	PIPE 4 TUBO 4	1	1	
10	6P2-13546-00	HOSE 2 MANGUEIRA 2	1	1	
11	6P2-2416A-00	HOSE MANGUEIRA	1	1	
12	6P2-24135-00	CLAMP 1 GRAMPO 1	2	2	
13	6P2-24136-00	CLAMP 2 GRAMPO 2	2	2	
14	6P2-13758-00	PIPE, JOINT TUBO CONECTOR	2	2	
15	6P2-24137-00	CLAMP 3 GRAMPO 3	1	1	
16	6E5-21744-00	BREATHER RESPIRO	1	1	
17	688-24378-00	PIPE, JOINT 3 JUNCAO DO TUBO 3	1	1	
18	6P2-13547-00	HOSE 3 MANGUEIRA 3	1	1	
19	6P2-13548-10	HOSE, AIR 4 MANGUEIRA DE AR 4	1	1	
20	6P2-24376-00	PIPE, JOINT 1 JUNCAO DO TUBO 1	1	1	
21	90464-18004	CLAMP BRACADEIRA	1	1	
22	90464-18004	CLAMP BRACADEIRA	2	2	

FIG. 12 THROTTLE BODY ASSY 3

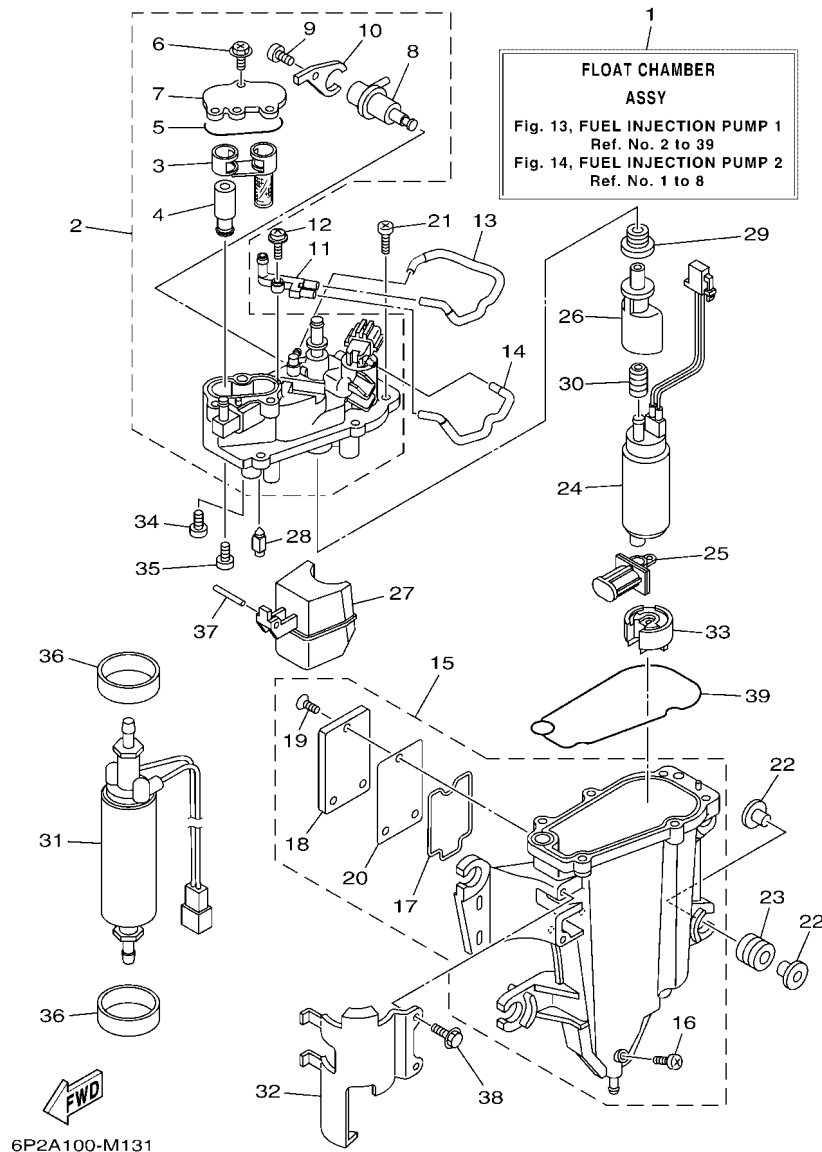
CORPO DO ACELERADOR CONJUNTO 3



REF. NO.	PART NO. No. PEÇA	DESCRIPTION DESCRIÇÃO	6P2D	6P3D	REMARKS OBSERVAÇÕES
1	6P2-13160-11	DELIVERY PIPE ASSY 1 TUBO DE DELIBERACAO CONJ. 1	1	1	
2	6P2-13161-00	.PIPE, DELIVERY 1 .TUBO DE DELIBERACAO 1	1	1	
3	6P2-13761-11	.INJECTOR .INJETOR CONJUNTO	3	3	
4	6C5-1410B-00	..PACKING KIT ..KIT DE JUNTAS	1	1	
5	6P2-13577-00	.CLIP .PRESILHA	3	3	
6	6P2-13170-11	DELIVERY PIPE ASSY 2 TUBO DE DELIBERACAO CONJUNTO 2	1	1	
7	6P2-13171-00	.PIPE, DELIVERY 2 .TUBO DE DELIBERACAO 2	1	1	
8	6P2-13761-11	.INJECTOR .INJETOR CONJUNTO	3	3	
9	6C5-1410B-00	..PACKING KIT ..KIT DE JUNTAS	1	1	
10	6P2-13577-00	.CLIP .PRESILHA	3	3	
11	90119-06122	BOLT, WITH WASHER PARAFUSO COM ARRUELA	4	4	

FIG. 13 FUEL INJECTION PUMP 1

BOMBA DE INJECÃO COMBUSTÍVEL 1



6P2A100-M131

REF. NO.	PART NO. No. PEÇA	DESCRIPTION DESCRIÇÃO	6P2D	6P3D	REMARKS OBSERVAÇÕES
1	6P2-14180-60	FLOAT CHAMBER ASSY CAMARA DA BOIA CJ	1	1	
2	6AW-14182-21	COVER, FLOAT CHAMBER TAMPA DA CAMARA DA BOIA	1	1	
3	6CB-24501-01	.FILTER, FUEL .FILTRO DE COMBUSTIVEL	1	1	
4	6CB-24460-10	.RELIEF VALVE ASSY .VALVULA DE DESCOMPRESSAO COMP.	1	1	
5	6CB-13016-00	.O-RING .ANEL DE BORRACHA	1	1	
6	6CB-14216-00	.SCREW .PARAFUSO	3	3	
7	6CB-24217-10	.COVER .CAPA	1	1	
8	6CB-13906-01	.REGULATOR, PRESSURE .REGULADOR DE PRESSAO	1	1	
9	6CB-14564-00	.SCREW .PARAFUSO	1	1	
10	6CB-14146-00	.PLATE .PLACA	1	1	
11	68V-24379-10	PIPE, JOINT 4 JUNCAO DO TUBO 4	1	1	
12	68V-14216-00	SCREW PARAFUSO	1	1	
13	68V-1475H-00	PIPE 5 TUBO 5	1	1	
14	68V-1475J-00	PIPE 6 TUBO 6	1	1	
15	6AW-14181-11	BODY, FLOAT CHAMBER 1 CORPO DA CAMARA DA BOIA 1	1	1	
16	6P2-14191-00	.PLUG, DRAIN .TAMPAO DE DRENO	1	1	
17	6CB-14239-00	.SEAL .VEDACAO	1	1	
18	6CB-24452-10	.COVER .TAMPA	1	1	
19	6CB-14429-01	.SCREW .PARAFUSO	3	3	
20	6CB-24482-00	.GASKET 1 .GAXETA 1	1	1	
21	63P-14567-00	SCREW PARAFUSO	6	6	
22	69J-13716-00	COLLAR ESPACADOR	8	8	
23	6CB-13593-00	DAMPER AMORTIZADOR	4	4	
24	6P2-13907-30	FUEL PUMP COMP. BOMBA DE COMBUSTIVEL COMPLETA	1	1	
25	63P-13915-00	FILTER FILTRO	1	1	
26	6AW-13132-00	JOINT JUNCAO	1	1	
27	6CB-14985-00	FLOAT BOIA	1	1	

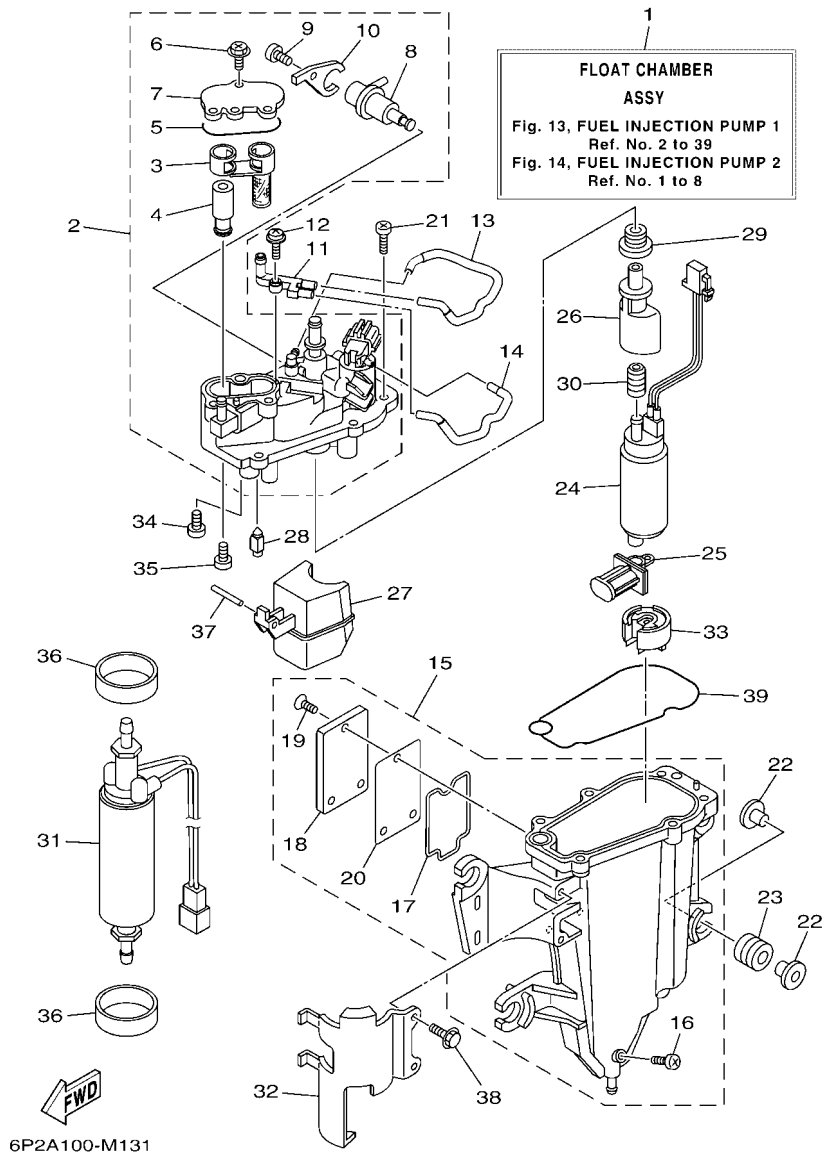


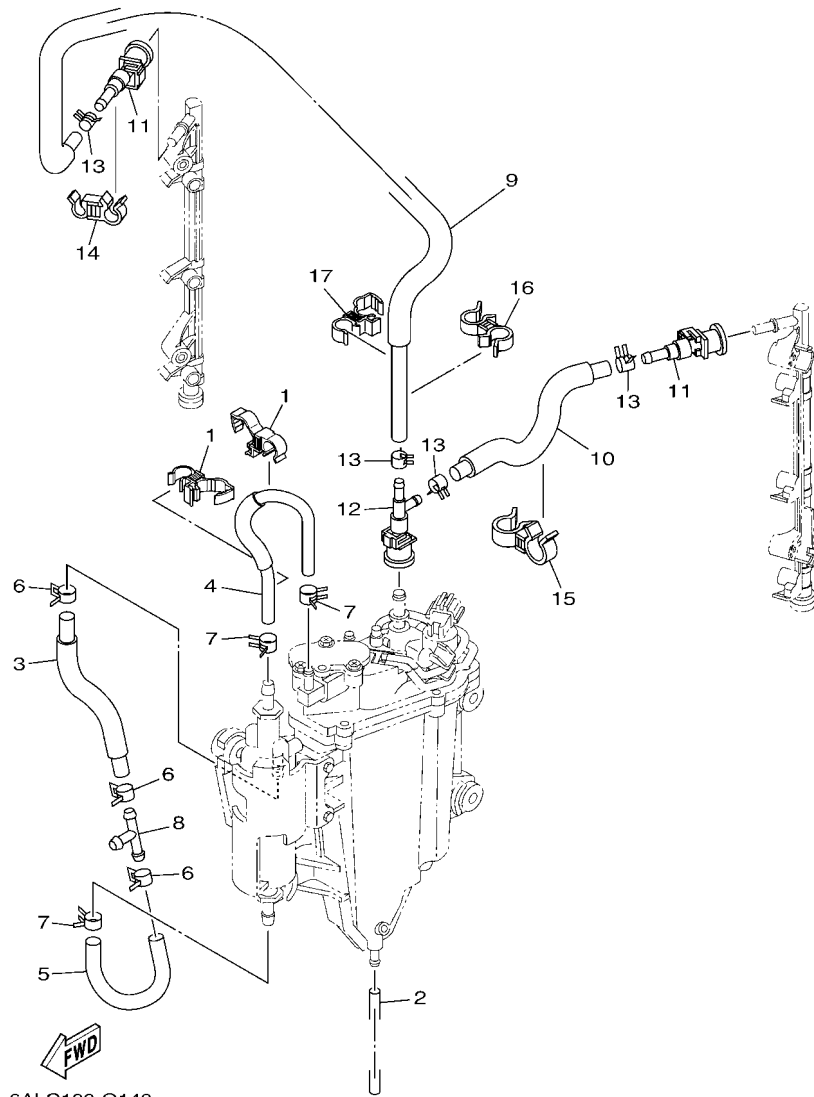
FIG. 13 FUEL INJECTION PUMP 1

BOMBA DE INJECÃO COMBUSTIVEL 1

REF. NO.	PART NO. No. PEÇA	DESCRIPTION DESCRIÇÃO	6P2D	6P3D	REMARKS OBSERVAÇÕES
28	6CB-14546-00	VALVE, NEEDLE VALVULA DA AGULHA	1	1	
29	6CB-1447B-00	BUSH 1 BUCHA 1	1	1	
30	6AW-13781-00	DAMPER, PUMP AMORTIZADOR DA BOMBA	1	1	
31	6CB-24410-00	FUEL PUMP ASSY BOMBA DE COMBUSTIVEL CONJ.	1	1	
32	6AW-24491-10	BRACKET, FUEL PUMP SUPORTE BOMBA DE COMBUSTIVEL	1	1	
33	6AW-13784-00	COVER, PUMP TAMPA DA BOMBA	1	1	
34	69J-24453-00	SCREW PARAFUSO	1	1	
35	68V-14592-10	SCREW PARAFUSO	1	1	
36	6CB-24492-00	BUSH, FUEL PUMP BUCHA DA BOMBA DE COMB.	2	2	
37	6P2-14386-00	PIN, FLOAT PINO DA BOIA	1	1	
38	6CB-24592-00	BOLT PARAFUSO	2	2	
39	6CB-14984-00	GASKET, FLOAT CHAMBER GAXETA DA CAMARA DA BOIA.	1	1	

FIG. 14 FUEL INJECTION PUMP 2

BOMBA DE INJECÃO COMBUSTIVEL 2



REF. NO.	PART NO. No. PEÇA	DESCRIPTION DESCRIÇÃO	6P2D	6P3D	REMARKS OBSERVAÇÕES
1	90464-12012	CLAMP BRACADEIRA	2	2	
2	6P2-14149-00	PIPE TUBO	1	1	
3	6AW-24323-20	PIPE 12 TUBO 12	1	1	
4	6AW-24324-30	PIPE 13 TUBO 13	1	1	
5	6AW-24317-20	PIPE 7 TUBO 7	1	1	
6	69J-14137-00	CLIP PRESILHA	3	3	
7	68V-13577-00	CLIP PRESILHA	3	3	
8	6E5-24378-00	PIPE, JOINT 3 TUBO DE JUNCAO 3	1	1	
9	6P2-13973-30	PIPE, FUEL 3 TUBO DE COMBUSTIVEL 3	1	1	
10	6P2-13974-30	PIPE, FUEL 4 TUBO DE COMBUSTIVEL 4	1	1	
11	6AW-24300-10	FUEL PIPE JOINT JUNCAO DO TUBO DE COMJUSTIVEL	2	2	
12	6P2-24300-00	FUEL PIPE JOINT JUNCAO DO TUBO DE COMJUSTIVEL	1	1	
13	68V-13577-00	CLIP PRESILHA	4	4	
14	90464-12010	CLAMP BRACADEIRA	1	1	
15	90464-18005	CLAMP BRACADEIRA	1	1	
16	90464-12009	CLAMP BRACADEIRA	1	1	
17	90464-12012	CLAMP BRACADEIRA	1	1	

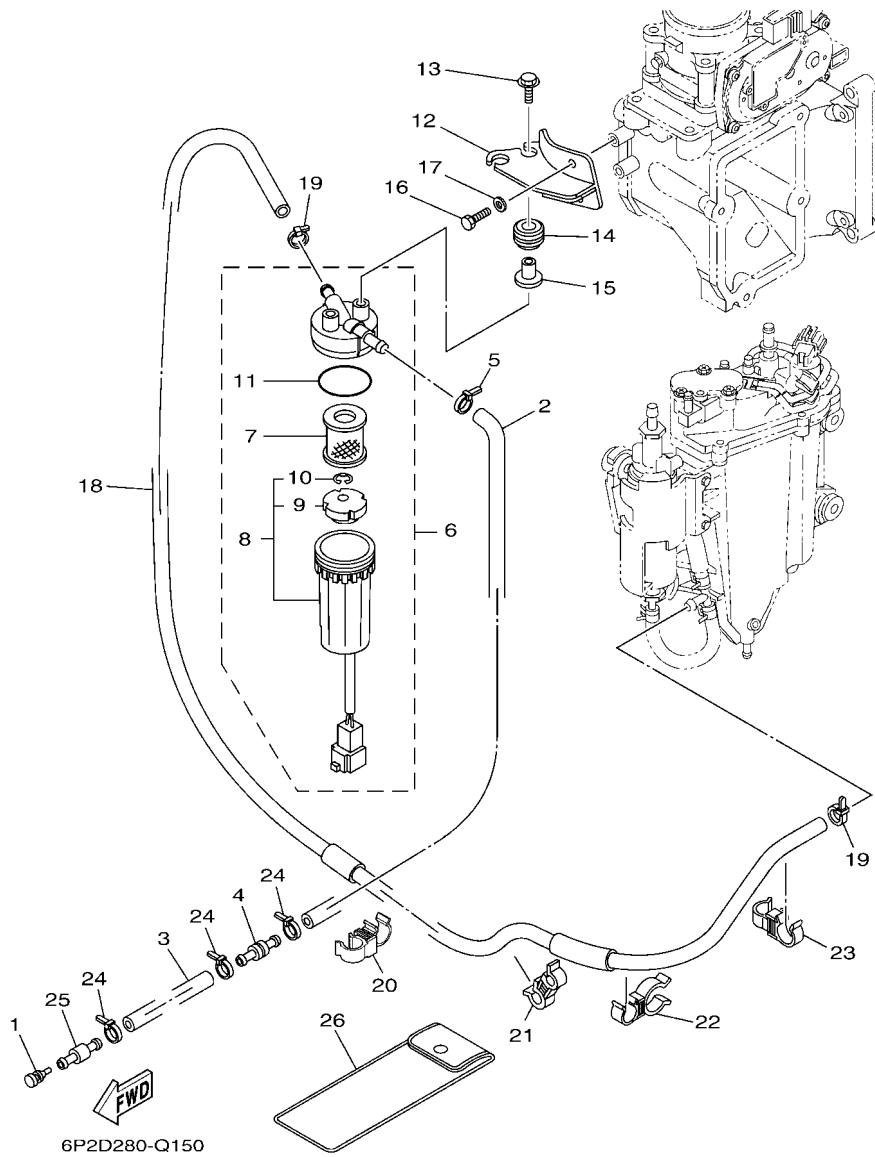


FIG. 15 FUEL 1

COMBUSTIVEL

REF. NO.	PART NO. No. PEÇA	DESCRIPTION DESCRIÇÃO	6P2D	6P3D	REMARKS OBSERVAÇÕES
1	689-85547-00	DAMPER AMORTIZADOR	1	1	
2	6P2-24314-00	PIPE 4 TUBO 4	1	1	
3	90445-13511	HOSE (L2000) TUBO (L2000)	1	1	
4	6R3-24377-10	PIPE, JOINT 2 JUNCAO DO TUBO 2	1	1	
5	90465-11M10	CLAMP BRACADEIRA	1	1	
6	6P3-24560-03	FILTER ASSY FILTRO DE COMBUSTIVEL CONJ.	1	1	
7	6P3-24563-01	.ELEMENT, FILTER .ELEMENTO DO FILTRO	1	1	
8	6P3-24562-03	.CUP, FILTER .COPO DO FILTRO	1	1	
9	6P3-24469-00	..FLOAT, WATER LEVEL ..BOIA DO NIVEL D'AGUA	1	1	
10	6P3-24519-00	..CLIP ..PRESILHA	1	1	
11	6P3-24564-00	.GASKET .GAXETA	1	1	
12	6P2-24566-11	BRACKET, FILTER SUPORTE DO FILTRO	1	1	
13	90119-06M17	BOLT, WITH WASHER PARAFUSO COM ARRUELA	2	2	
14	90480-14018	GROMMET ILHO DE BORRACHA	2	2	
15	90387-06289	COLLAR ESPACADOR	2	2	
16	97095-06014	BOLT PARAFUSO	2	2	
17	92995-06600	WASHER ARRUELA	2	2	
18	6P2-24313-50	PIPE 3 TUBO 3	1	1	
19	90465-11M10	CLAMP BRACADEIRA	2	2	
20	90464-12009	CLAMP BRACADEIRA	1	1	
21	90464-12010	CLAMP BRACADEIRA	1	1	
22	90464-20024	CLAMP BRACADEIRA	1	1	
23	90464-12009	CLAMP BRACADEIRA	1	1	
24	90465-11M10	CLAMP BRACADEIRA	3	3	
25	6R3-24377-00	PIPE, JOINT 2 JUNCAO DO TUBO 2	1	1	
26	69J-28100-01	TOOL KIT JOGO DE FERRAMENTAS	1	1	AP AP

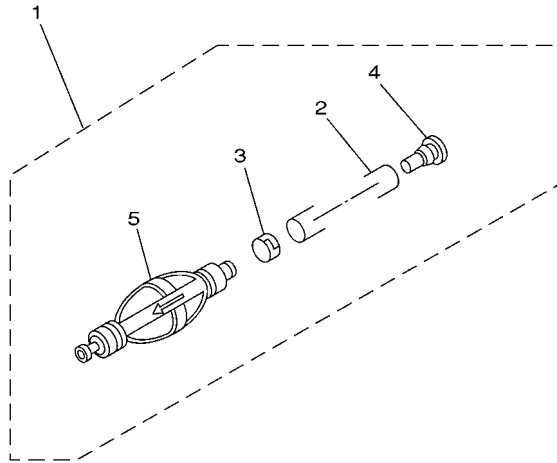


FIG. 16 FUEL 2

COMBUSTIVEL 2

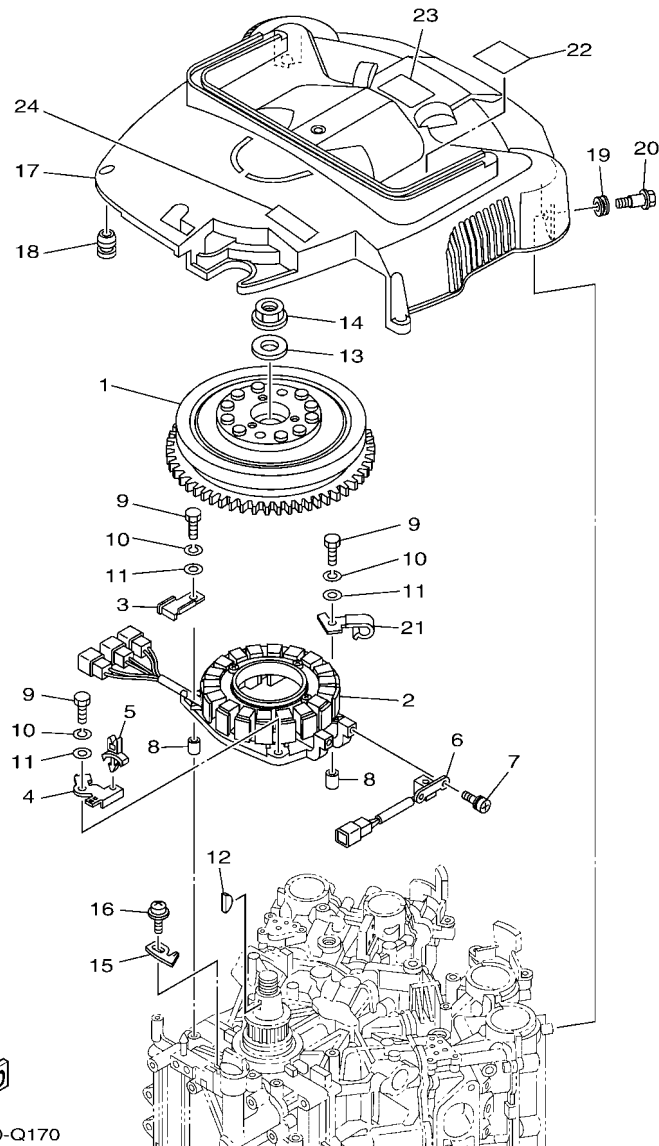
REF. NO.	PART NO. No. PEÇA	DESCRIPTION DESCRIÇÃO	6P2D	6P3D		REMARKS OBSERVAÇÕES
1	6Y2-24307-50	FUEL PIPE COMP. 2 TUBO DE COMBUSTIVEL COMP. 2	1	1		
2	90445-13M01	.HOSE (L2050) .TUBO (L2050)	1	1		
3	6E5-24351-51	.BAND 1 .BRACADEIRA 1	1	1		
4	90480-06M19	.GROMMET .ILHO DE BORRACHA	1	1		
5	6Y2-24360-60	.PRIMER PUMP ASSY .BOMBA PRIMARIA CONJ.	1	1		



68V0100-0110

FIG. 17 GENERATOR

GERADOR

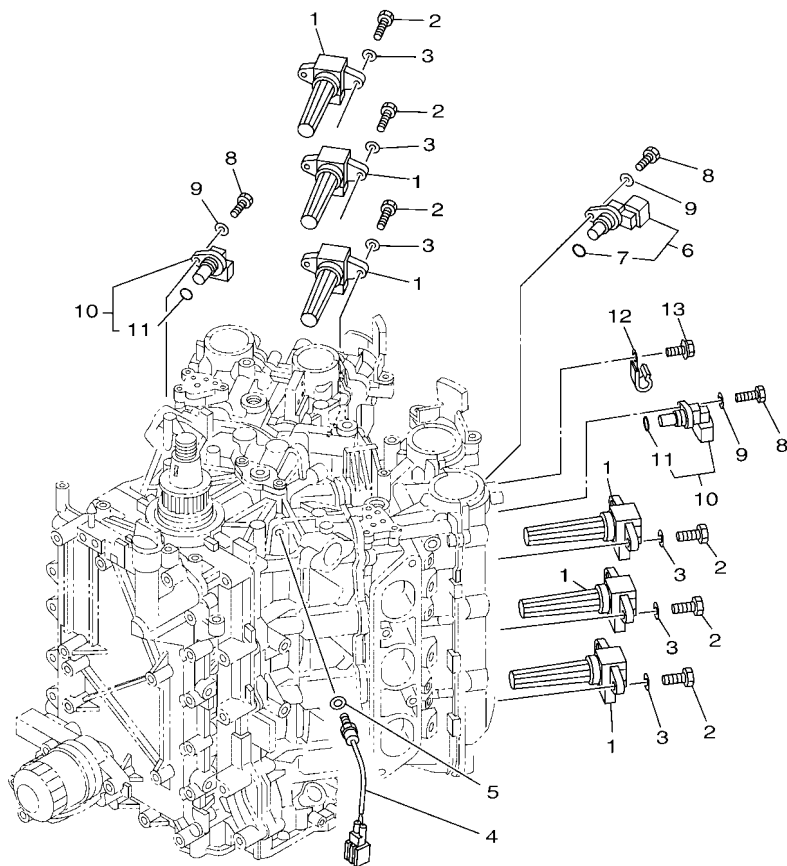


6P2D280-Q170

REF. NO.	PART NO. No. PEÇA	DESCRIPTION DESCRIÇÃO	6P2D	6P3D	REMARKS OBSERVAÇÕES
1	6P2-81450-00	ROTOR ASSY ROTOR DO MAGNETO CONJ.	1	1	
2	6P2-81460-00	BASE ASSY BASE CONJUNTO	1	1	
3	6P2-81443-00	CLAMP, LEAD 1 BRACADEIRA CONDUTORA 1	1	1	
4	6P2-8257V-00	PLATE, CONNECTOR PLACA CONECTORA	1	1	
5	90464-06001	CLAMP BRACADEIRA	1	1	
6	6P2-85580-00	COIL, PULSER BOBINA DE PULSO CONJUNTO	1	1	
7	97980-05312	SCREW, WITH WASHER PARAFUSO	2	2	
8	99530-08012	PIN, DOWEL PINO GUIA	2	2	
9	97095-06035	BOLT PARAFUSO	4	4	
10	92995-06100	WASHER, SPRING ARRUELA COM MOLLA	4	4	
11	92995-06600	WASHER ARRUELA	4	4	
12	90280-05015	KEY, WOODRUFF CHAVETA MEIA LUA	1	1	
13	90201-24014	WASHER, PLATE ARRUELA PLANA	1	1	
14	90179-24002	NUT PORCA	1	1	
15	6P2-81332-00	PLATE, TIMING PLACA DO REGULADORA	1	1	
16	97985-06210	SCREW, WITH WASHER PARAFUSO	1	1	
17	6P2-81337-02	COVER, FLYWHEEL TAMPA DO ROTOR	1	1	
18	663-82317-01	DAMPER, IGNITION COIL AMORTIZADOR BOBINA DE IGNICAO	4	4	
19	90480-12314	GROMMET ILHO DE BORRACHA	2	2	
20	90109-06MA1	BOLT PARAFUSO	2	2	
21	6P2-81128-00	CLAMP GRAMPO	1	1	
22	6P2-81919-60	GRAPHIC, REGULATOR GRAFICO DO REGULADOR	1	1	
23	6P2-81919-70	GRAPHIC, REGULATOR GRAFICO DO REGULADOR	1	1	
24	6AH-81994-70	LABEL, SAFETY ETIQUETA DE SEGURANCA	1	1	

FIG. 18 ELECTRICAL 1

SISTEMA ELETRICO 1

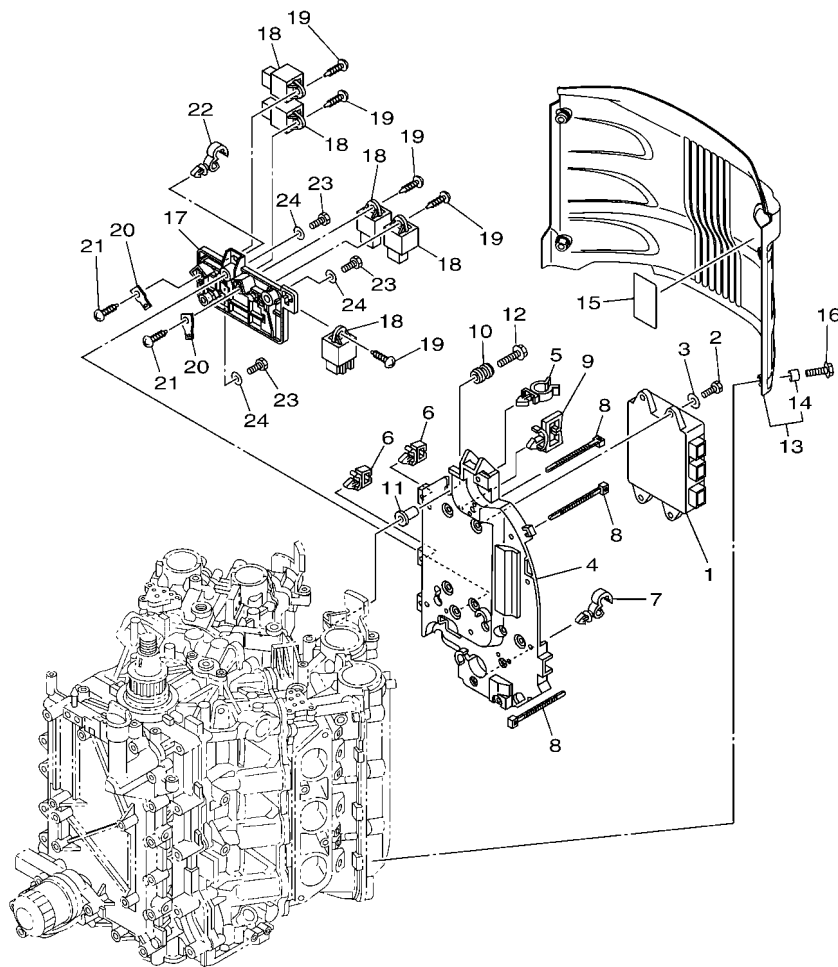


FWD
6ALC100-Q180

REF. NO.	PART NO. No. PEÇA	DESCRIPTION DESCRIÇÃO	6P2D	6P3D	REMARKS OBSERVAÇÕES
1	6P2-82310-01	IGNITION COIL ASSY BOBINA DE IGNICAO CONJ.	6	6	
2	97095-06020	BOLT PARAFUSO	12	12	
3	92995-06600	WASHER ARRUELA	12	12	
4	61A-85790-00	THERMOSENSOR ASSY TERMOSTATO	1	1	
5	92990-10600	WASHER, PLATE ARRUELA PLANA	1	1	
6	6P2-85896-00	SENSOR, CAM POSITION SENSOR DA MUDANCA	1	1	
7	6P2-85075-00	.O-RING .ANEL	1	1	
8	97095-06020	BOLT PARAFUSO	3	3	
9	92995-06600	WASHER ARRUELA	3	3	
10	6P2-85897-00	SENSOR, CAM POSITION 2 SENSOR DA MUDANCA 2	2	2	
11	6P2-85075-00	.O-RING .ANEL	1	1	
12	90462-08032	CLAMP BRACADEIRA	1	1	
13	97595-06512	BOLT, WITH WASHER PARAFUSO COM ARRUELA	1	1	

FIG. 19 ELECTRICAL 2

SISTEMA ELETRICO 2

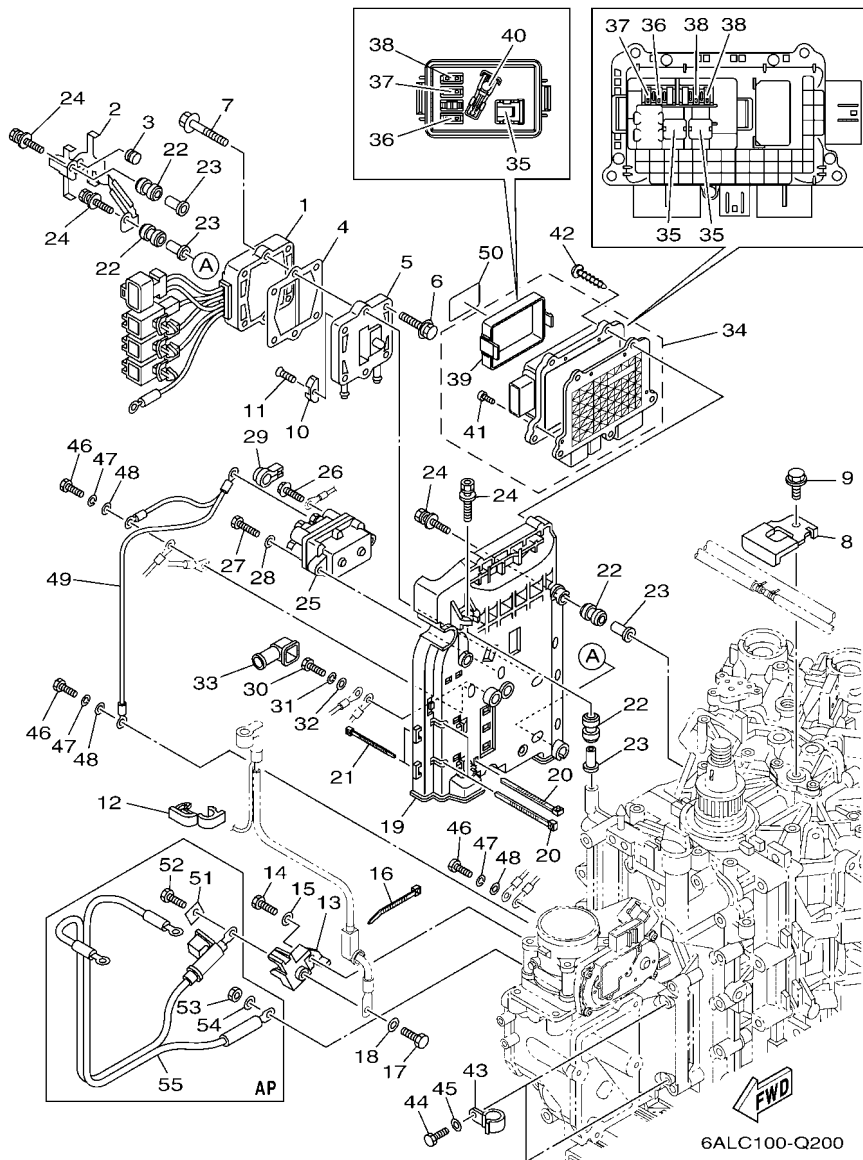


FWD
6ALC100-Q190

REF. NO.	PART NO. No. PEÇA	DESCRIPTION DESCRIÇÃO	6P2D	6P3D	REMARKS OBSERVAÇÕES
1	6P2-8591A-54	ENGINE CONTROL UNIT ASSY UNIDADE DE CONTROLE MOTORA CJ	1	1	
2	97095-06020	BOLT PARAFUSO	4	4	
3	92995-06600	WASHER ARRUELA	4	4	
4	6P2-82316-00	BRACKET, IGNITION COIL SUPORTE DA BOBINA DE IGNICAO	1	1	
5	90464-19M45	CLAMP BRACADEIRA	1	1	
6	90464-11121	CLAMP BRACADEIRA	2	2	
7	90464-13249	CLAMP BRACADEIRA	1	1	
8	90465-14M66	CLAMP BRACADEIRA	3	3	
9	90464-23199	CLAMP BRACADEIRA	1	1	
10	6A0-82317-00	DAMPER, IGNITION COIL AMORTIZADOR BOBINA DE IGNICAO	4	4	
11	90387-06119	COLLAR ESPACADOR	4	4	
12	90119-06M59	BOLT, WITH WASHER PARAFUSO COM ARRUELA	4	4	
13	6P2-82314-10	COVER, IGNITION COIL CAPA BOBINA DE IGNICAO	1	1	
14	90387-06044	.COLLAR .ESPACADOR	4	4	
15	6P2-42735-00	PROTECTOR PROTETOR	1	1	
16	90119-06M92	BOLT, WITH WASHER PARAFUSO COM ARRUELA	4	4	
17	6P2-81952-00	HOLDER, RELAY SUPORTE DO RELE	1	1	
18	68V-81950-00	RELAY ASSY RELE CONJUNTO	5	5	
19	97780-60620	SCREW, TAPPING PARAFUSO	5	5	
20	6P2-83635-00	BRACKET SUPORTE	2	2	
21	97780-60620	SCREW, TAPPING PARAFUSO	2	2	
22	90464-13249	CLAMP BRACADEIRA	1	1	
23	97095-06020	BOLT PARAFUSO	3	3	
24	92995-06600	WASHER ARRUELA	3	3	

FIG. 20 ELECTRICAL 3

SISTEMA ELETRICO 3



REF. NO.	PART NO. No. PEÇA	DESCRIPTION DESCRIÇÃO	6P2D	6P3D	REMARKS OBSERVAÇÕES
1	6P2-81960-10	RECTIFIER & REGULATOR ASSY RETIFICADOR & REGULADOR CONJ.	1	1	
2	6P2-81614-10	PROTECTOR PROTETOR	1	1	
3	2D1-14737-00	DAMPER, MUFFLER AMORTIZADOR DO SILENCIADOR	1	1	
4	60V-81975-A0	PLATE, RECTIFIER FITTING PLACA FIXACAO DO RETIFICADOR	1	1	
5	6P2-81972-00-9S	COVER, RECTIFIER TAMPA DO RETIFICADOR	1	1	
6	90119-06MA3	BOLT, WITH WASHER PARAFUSO COM ARRUELA	4	4	
7	90119-06MA5	BOLT, WITH WASHER PARAFUSO COM ARRUELA	2	2	
8	6P2-12491-00	CLAMP 1 BRACADEIRA 1	1	1	
9	97595-06512	BOLT, WITH WASHER PARAFUSO COM ARRUELA	1	1	
10	6E5-11325-00	ANODE ANODO	1	1	
11	98780-04015	SCREW, FLAT HEAD PARAFUSO CABECA PLANA	1	1	
12	90464-18004	CLAMP BRACADEIRA	5	5	
13	6P2-81925-01	TERMINAL TERMINAL	1	1	
14	97095-08020	BOLT PARAFUSO	1	1	
15	92995-08600	WASHER ARRUELA	1	1	
16	90465-13M18	CLAMP BRACADEIRA	1	1	
17	97095-08016	BOLT PARAFUSO	1	1	
18	92995-08600	WASHER ARRUELA	1	1	
19	6P2-81948-10	BRACKET SUPORTE	1	1	
20	90465-13M18	CLAMP BRACADEIRA	4	4	
21	90465-14M66	CLAMP BRACADEIRA	2	2	
22	6A0-82317-00	DAMPER, IGNITION COIL AMORTIZADOR BOBINA DE IGNICAO	6	6	
23	90387-06119	COLLAR ESPAÇADOR	6	6	
24	90119-06M95	BOLT, WITH WASHER PARAFUSO COM ARRUELA	6	6	
25	63P-81950-00	RELAY ASSY RELE CONJUNTO	1	1	
26	97595-06610	BOLT, WITH WASHER PARAFUSO COM ARRUELA	2	2	
27	97013-06025	BOLT PARAFUSO	2	2	

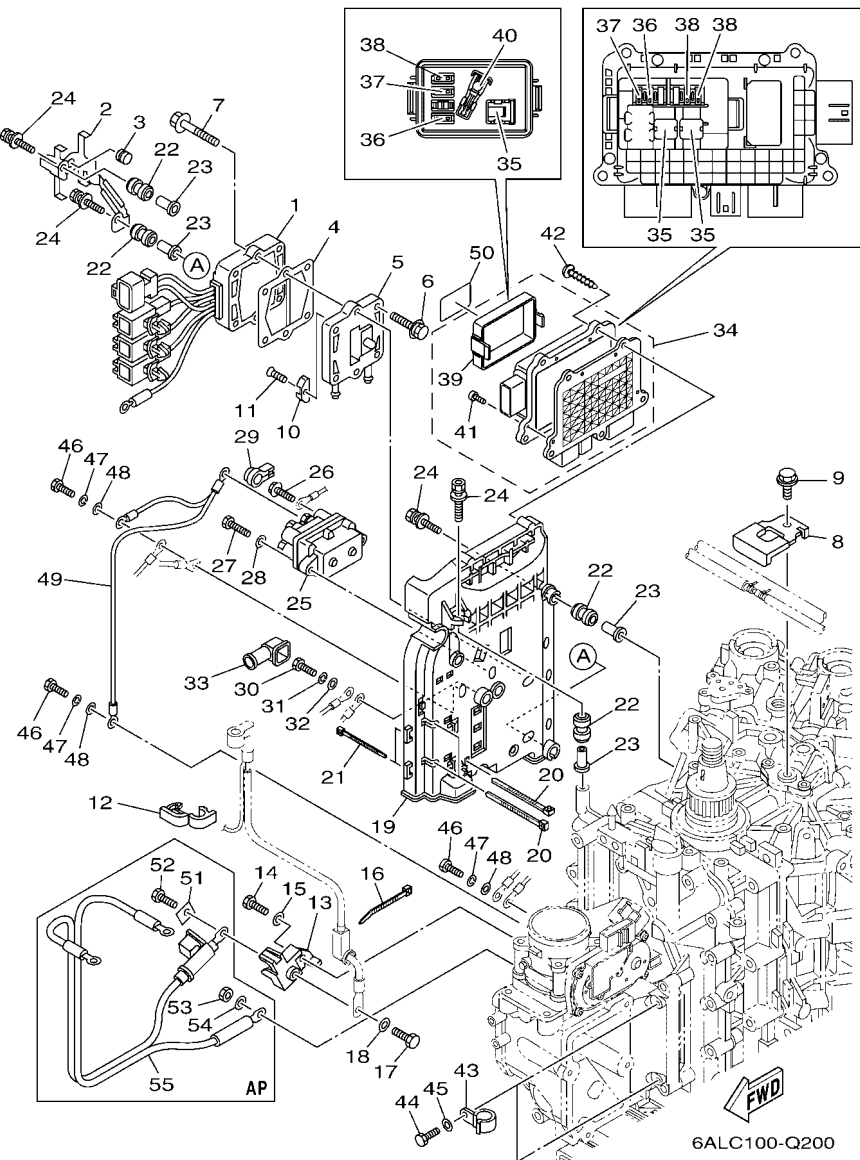


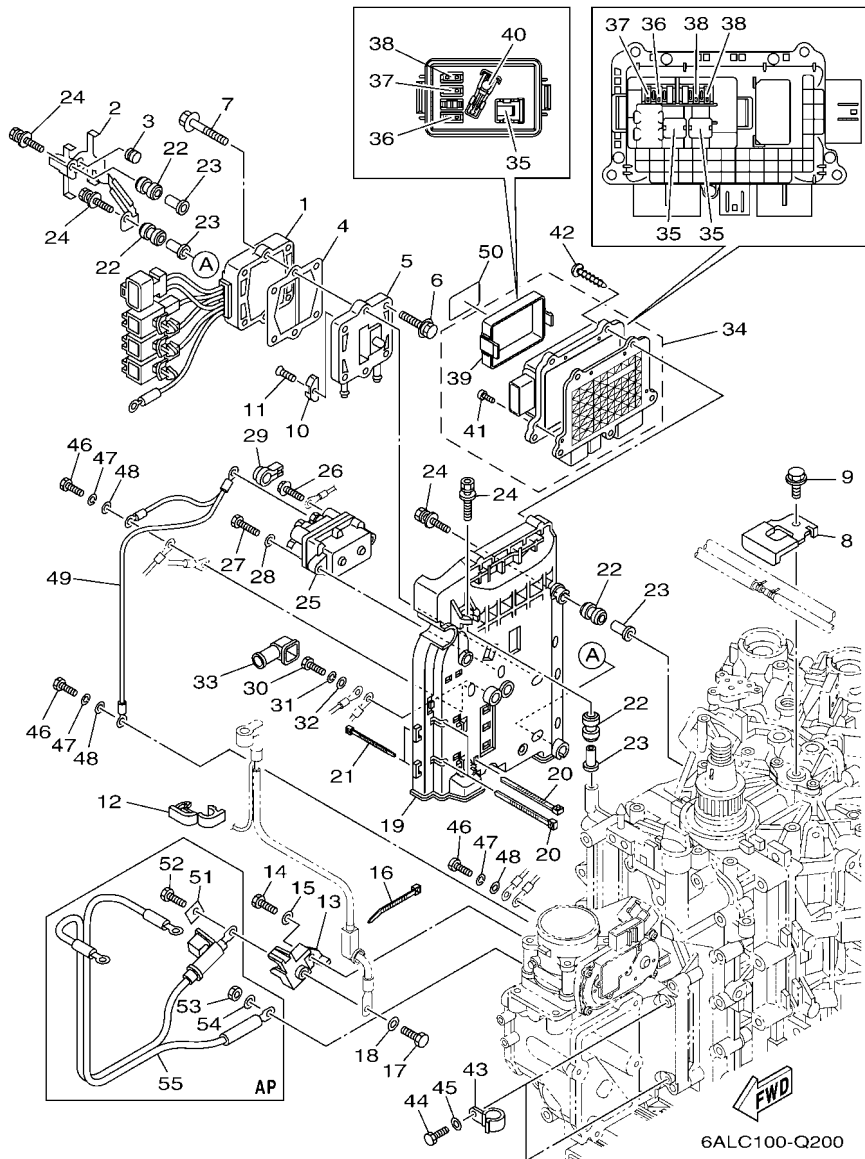
FIG. 20 ELECTRICAL 3

SISTEMA ELETRICO 3

REF. NO.	PART NO. No. PEÇA	DESCRIPTION DESCRIÇÃO	6P2D	6P3D	REMARKS OBSERVAÇÕES
28	92903-06600	WASHER, PLATE ARRUELA PLANA	2	2	
29	6P2-8183X-00	CAP, TERMINAL TAMPA DO TERMINAL	2	2	
30	97095-06016	BOLT PARAFUSO	1	1	
31	92995-06100	WASHER, SPRING ARRUELA COM MOLA	1	1	
32	92995-06600	WASHER ARRUELA	1	1	
33	6P2-82119-00	COVER, LEAD WIRE TAMPA DO FIO DA BATERIA	1	1	
34	6P2-82170-20	FUSE BOX ASSY CAIXA DE FUSIVEL CONJ.	1	1	
35	6CB-82151-40	.FUSE (60A) .FUSIVEL	3	3	
36	6CB-82151-00	.FUSE (10A) .FUSIVEL (10A)	2	2	
37	6CB-82151-20	.FUSE (20A) .FUSIVEL (20A)	2	2	
38	6CB-82151-30	.FUSE (30A) .FUSIVEL (30A)	3	3	
39	6CB-85544-10	.COVER .TAMPA	1	1	
40	6CB-2812A-00	.PULLER, FUSE .PINÇA DO FUSIVEL	1	1	
41	6P2-82113-00	.SCREW .PARAFUSO	5	5	
42	97780-50620	SCREW, TAPPING PARAFUSO	4	4	
43	90462-08026	CLAMP BRACADEIRA	2	2	
44	97095-06016	BOLT PARAFUSO	2	2	
45	92995-06600	WASHER ARRUELA	2	2	
46	97095-06016	BOLT PARAFUSO	3	3	
47	92995-06100	WASHER, SPRING ARRUELA COM MOLA	3	3	
48	92995-06600	WASHER ARRUELA	3	3	
49	6P2-8259M-10	WIRE HARNESS ASSY 2 CHICOTE DE FIOS CONJ. 2	1	1	
50	6P2-81919-50	GRAPHIC, REGULATOR GRAFICO DO REGULADOR	1	1	
51	6P2-81923-00	WASHER ARRUELA	1	1	AP
52	97095-08016	BOLT PARAFUSO	1	1	AP AP AP
53	95333-08600	NUT PORCA	1	1	AP AP
54	92903-08100	WASHER, SPRING ARRUELA COM MOLA	1	1	AP AP

FIG. 20 ELECTRICAL 3

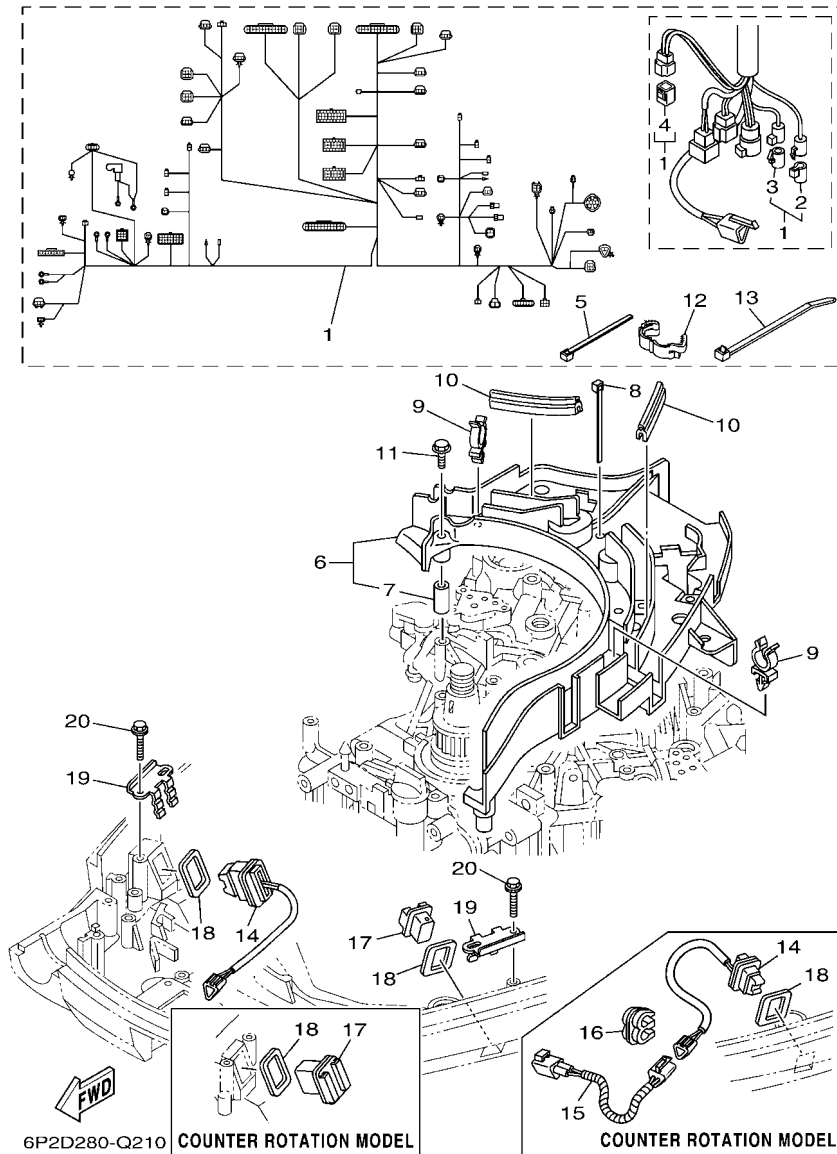
SISTEMA ELETRICO 3



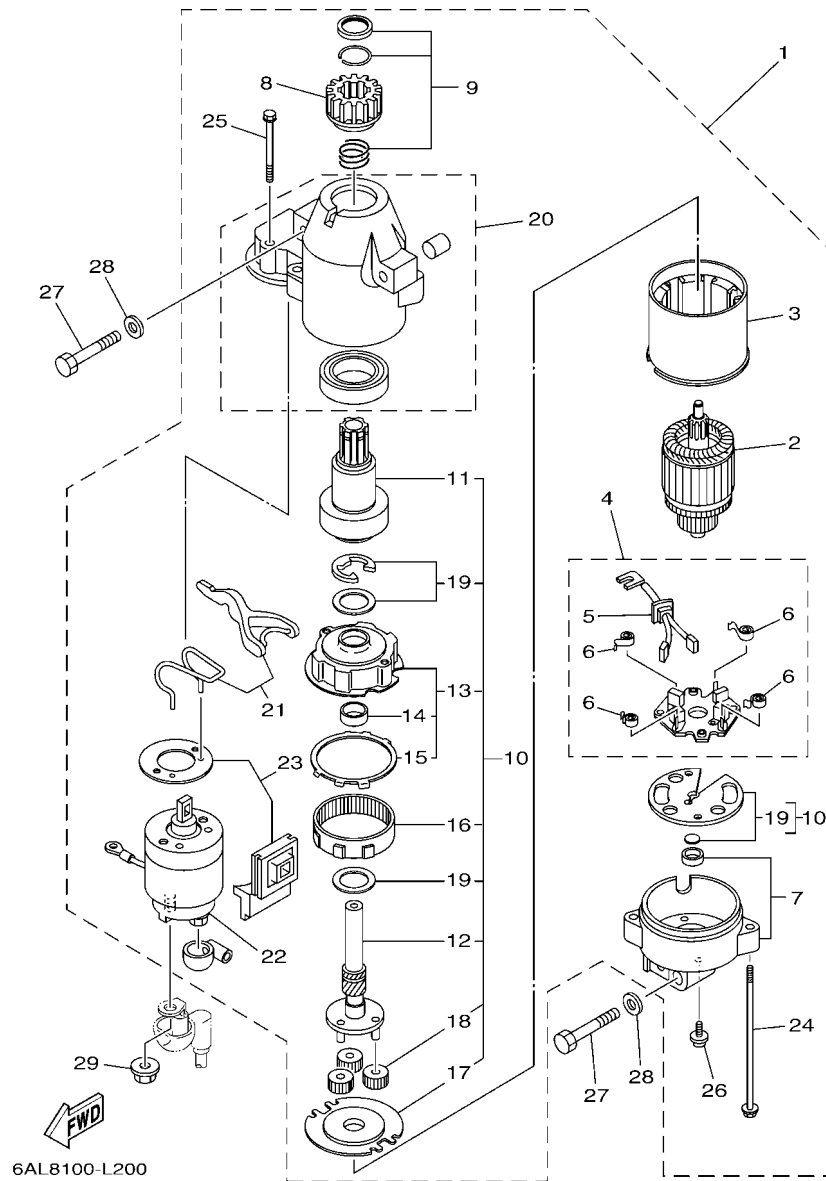
REF. NO.	PART NO. No. PEÇA	DESCRIPTION DESCRIÇÃO	6P2D	6P3D	REMARKS OBSERVAÇÕES
55	6P2-82105-02	BATTERY CABLE CABO DE BATERIA	1	1	AP AP
<hr/>					
<hr/>					
<hr/>					
<hr/>					
<hr/>					
<hr/>					
<hr/>					
<hr/>					
<hr/>					
<hr/>					

FIG. 21 ELECTRICAL 4

SISTEMA ELETRICO 4



REF. NO.	PART NO. No. PEÇA	DESCRIPTION DESCRIÇÃO	6P2D	6P3D	REMARKS OBSERVAÇÕES
1	6P2-82590-61	WIRE HARNESS ASSY CHICOTE PRINCIPAL COMPLETO	1	1	
2	6DA-82582-00	.CAP 1 (FEMALE) .TAMPAO 1	1	1	
3	6DA-82582-10	.CAP 1 (MALE) .TAMPAO 1	1	1	
4	6Y8-82582-11	.CAP 1 (4PIN) .TAMPA DA CHICOTE	1	1	
5	90465-14M66	CLAMP BRACADEIRA	3	3	
6	6P2-82589-10	PROTECTOR, WIRE HARNESS PROTETOR DO CHICOTE DE FIOS	1	1	
7	90387-06M26	.COLLAR .ESPACADOR	5	5	
8	90465-14M66	CLAMP BRACADEIRA	2	2	
9	90464-19M45	CLAMP BRACADEIRA	4	4	
10	6P2-85722-00	INSULATOR ISOLADOR	2	2	
11	97595-06535	BOLT, WITH WASHER PARAFUSO COM ARRUELA	5	5	
12	90464-14010	CLAMP BRACADEIRA	1	1	
13	90465-13M18	CLAMP BRACADEIRA	3	3	
14	69J-82563-01	TRIM & TILT SWITCH ASSY INTERRUPTOR TRIM & TILT CONJ.	1	1	
15	6P3-82553-00	EXTENSION, WIRE LEAD EXTENSAO DO CHICOTE DE FIOS.	1		
16	90464-10M57	CLAMP BRACADEIRA	1		
17	69J-42723-01	COVER, BOTTOM TAMPA INTERNA	1	1	
18	69J-82587-00	GASKET GAXETA	2	2	
19	69J-83614-10	BRACKET SUPORTE	2	2	
20	90109-06M86	BOLT PARAFUSO	4	4	

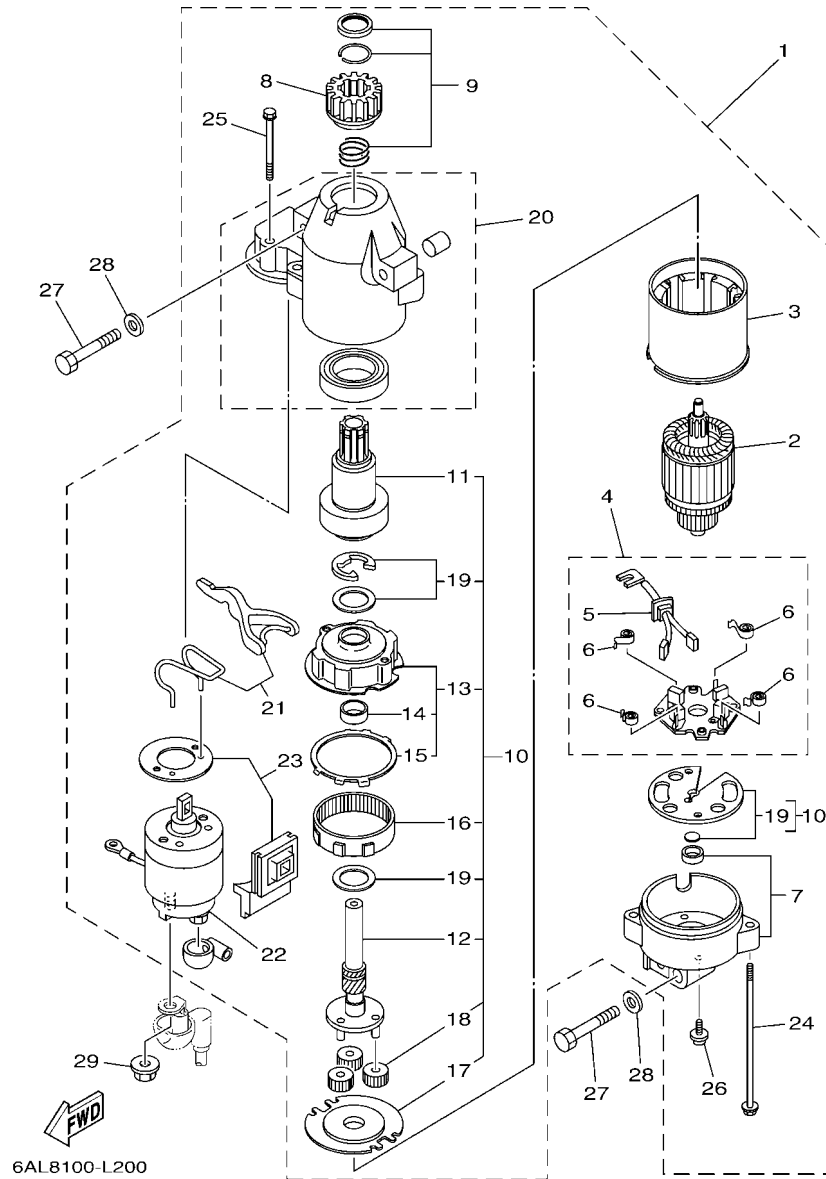


6AL8100-L200

FIG. 22 STARTING MOTOR

MOTOR DE PARTIDA

REF. NO.	PART NO. No. PEÇA	DESCRIPTION DESCRIÇÃO	6P2D	6P3D	REMARKS OBSERVAÇÕES
1	6BR-81800-01	STARTING MOTOR ASSY MOTOR DE PARTIDA COMPLETO	1	1	
2	67F-81850-00	.ARMATURE ASSY .INDUZIDO CONJ.	1	1	
3	67F-81810-00	.STATOR ASSY .ESTATOR CONJTO	1	1	
4	69J-81840-00	.BRUSH HOLDER ASSY .FIXADOR DAS ESCOVAS CONJ.	1	1	
5	69J-81801-00	.BRUSH SET .JOGO DE ESCOVAS	1	1	
6	67F-81813-00	.SPRING, BRUSH .MOLA DO ESCOVA	4	4	
7	67F-81820-00	.REAR BRACKET ASSY .SUPORTE TRASEIRO CONJ.	1	1	
8	67F-81808-00	.PINION ASSY .PINHAO CONJUNTO	1	1	
9	67F-81857-00	.PINION STOPPER SET .JOGO LIMITADOR DO PINHAO	1	1	
10	67F-81807-00	.GEAR ASSY, STARTING MOTOR .ENGRENAGEM DO MOTOR ARRANQUE	1	1	
11	67F-81832-00	.CLUTCH, OVER RUN .PINHAO DA EMBREAGEM	1	1	
12	67F-81836-00	.SHAFT, PINION .MOLA DA ALAVANCA	1	1	
13	67F-81821-00	.BRACKET, CENTER 1 .SUPORTE DO CENTRO 1	1	1	
14	67F-81841-00	.BEARING .ROLAMENTO	1	1	
15	67F-8183R-00	.GASKET .GAXETA	1	1	
16	67F-81891-00	.GEAR, RING .ANEL DA ENGRENAGEM	1	1	WITH 67F-8183R-00 WITH 67F-8183R-00
17	67F-81830-00	.BRACKET, CENTER 2 .SUPORTE DIANTEIRO CONJ.	1	1	
18	60V-8183T-00	.GEAR, IDLER .ENGRENAGEM LOUCA	3	3	
19	67F-81809-00	.WASHER KIT .ARRUELAS JOGO	1	1	
20	69J-81842-00	.COVER .TAMPA	1	1	
21	6C5-81839-00	.LEVER ASSY .ALAVANCA CONJUNTO	1	1	
22	63P-81941-00	.STARTER RELAY ASSY .RELE DE PARTIDA CONJ	1	1	
23	6C5-81869-00	.COVER, DUST .TAMPA DO RELE DE PARTIDA	1	1	
24	6K7-81826-11	.BOLT .PARAFUSO	2	2	
25	69J-81828-00	.SCREW 2 .PARAFUSO 2	2	2	
26	67F-81846-00	.SCREW .PARAFUSO	2	2	
27	97013-08045	BOLT PARAFUSO	3	3	



6AL8100-L200

FIG. 22 STARTING MOTOR

MOTOR DE PARTIDA

REF. NO.	PART NO. No. PEÇA	DESCRIPTION DESCRIÇÃO	6P2D	6P3D	REMARKS OBSERVAÇÕES
28	92903-08600	WASHER, PLATE ARRUELA PLANA	3	3	
29	90179-08003	NUT PORCA	1	1	

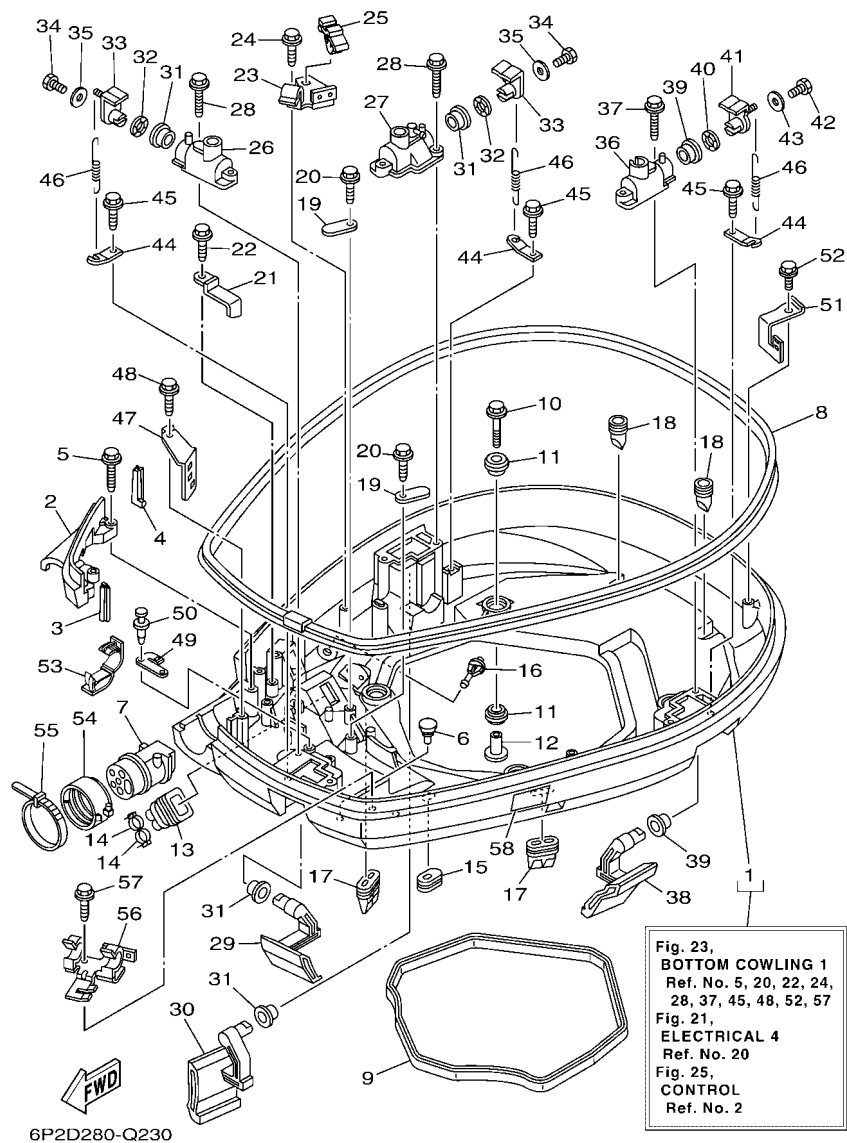


FIG. 23 BOTTOM COWLING 1

BANDEJA DO CAPO 1

REF. NO.	PART NO. No. PEÇA	DESCRIPTION DESCRIÇÃO	6P2D	6P3D	REMARKS OBSERVAÇÕES
1	6P2-42710-00-8D	BOTTOM COWLING ASSY BASE DO CAPO CONJ.	1	1	
2	6P2-42738-00-8D	PLATE, FITTING PLACA DA FIXADORA	1	1	
3	6P2-42717-00	RUBBER, SEAL 2 BORRACHA DE VEDACAO 2	1	1	
4	6P2-42718-00	RUBBER, SEAL 3 BORRACHA DE VEDACAO 3	1	1	
5	90109-06M82	BOLT PARAFUSO	2	2	
6	6H4-42748-00	GROMMET ILHO	2	2	
7	6P2-42725-00	GROMMET ILHO	1	1	
8	6P2-42615-00	SEAL VEDACAO	1	1	
9	69J-42716-00	RUBBER, SEAL 1 BORRACHA DE VEDACAO 1	1	1	
10	90119-08M22	BOLT, WITH WASHER PARAFUSO COM ARRUELA	4	4	
11	90480-22M81	GROMMET ILHO DE BORRACHA	8	8	
12	90387-08M37	COLLAR ESPACADOR	4	4	
13	6H1-42726-21	GROMMET ILHO	1	1	
14	90465-11M10	CLAMP BRACADEIRA	2	2	
15	61A-42727-00	GROMMET ILHO	1	1	
16	6P2-44391-00	NIPPLE, HOSE JUNCAO DO TUBO	1	1	
17	69J-42717-00	RUBBER, SEAL 2 BORRACHA DE VEDACAO 2	2	2	
18	61A-42717-00	RUBBER, SEAL 2 BORRACHA DE VEDACAO 2	2	2	
19	6E5-82588-00	PLATE PLACA	2	2	
20	90109-06M81	BOLT PARAFUSO	2	2	
21	90462-20001	CLAMP BRACADEIRA	1		
22	90109-06M86	BOLT PARAFUSO	1		
23	6P2-82554-00	STAY, NEUTRAL SWITCH FIXADOR DO INTERRUPTOR NEUTRO	1	1	
24	90109-06M86	BOLT PARAFUSO	1	1	
25	90464-09M47	CLAMP BRACADEIRA	1	1	
26	69J-42828-02-9S	PLATE, CLAMP PLACA DA BRACADEIRA	1	1	
27	6P2-42828-00-9S	PLATE, CLAMP PLACA DA BRACADEIRA	1	1	

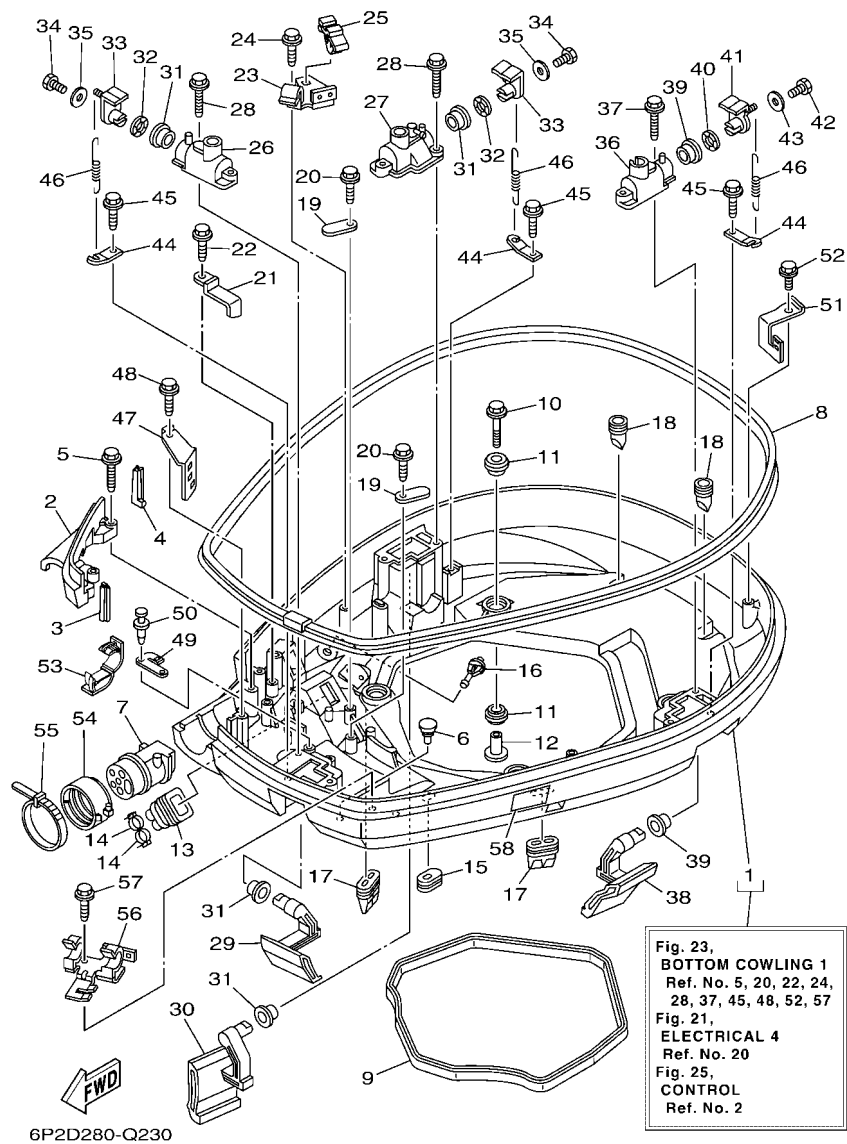
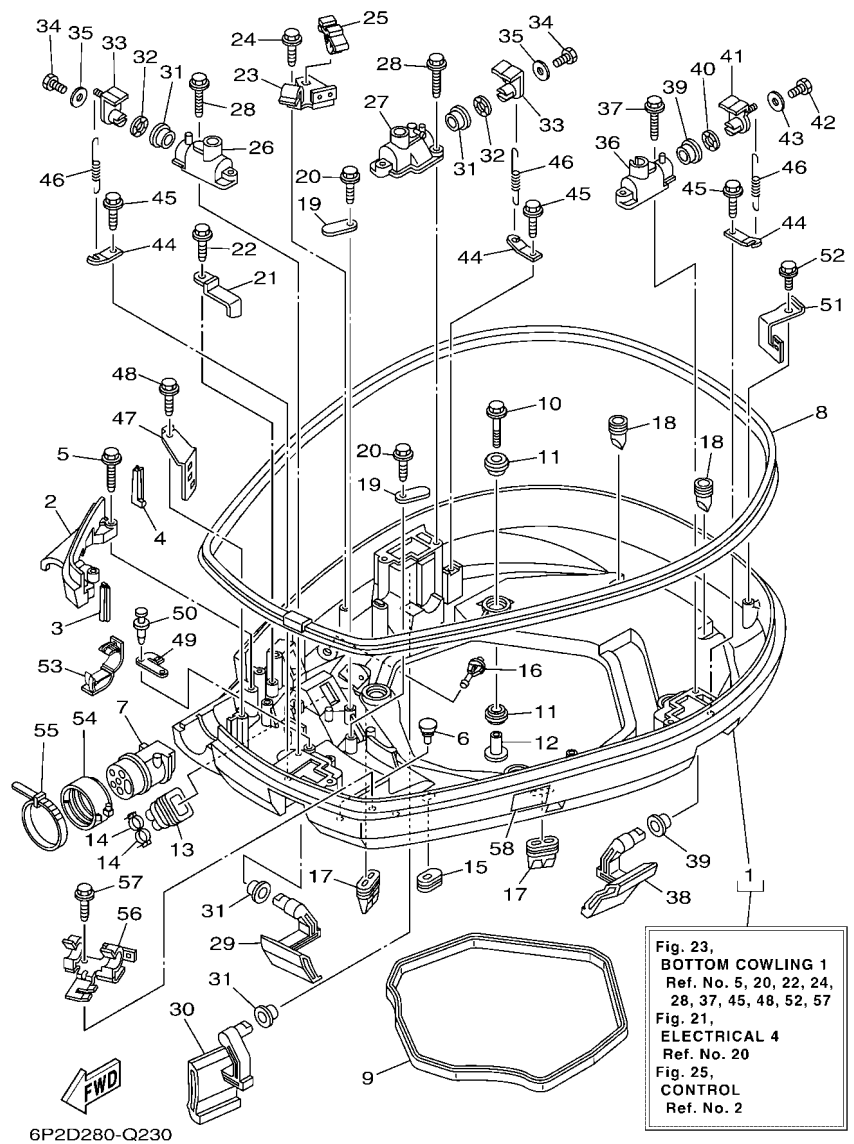


FIG. 23 BOTTOM COWLING 1

BANDEJA DO CAPO 1

REF. NO.	PART NO. No. PEÇA	DESCRIPTION DESCRIÇÃO	6P2D	6P3D	REMARKS OBSERVAÇÕES
28	90109-06M82	BOLT PARAFUSO	4	4	
29	69J-42815-00-8D	LEVER, CLAMP ALAVANCA DA BRACADEIRA	1	1	
30	69J-42817-00-8D	LEVER, CLAMP ALAVANCA DA BRACADEIRA	1	1	
31	90386-15M73	BUSH BUCHA	4	4	
32	90206-15M18	WASHER, WAVE ARRUELA ONDULADA	2	2	
33	63P-42818-01	LEVER, CLAMP ALAVANCA DA BRACADEIRA	2	2	
34	97095-06020	BOLT PARAFUSO	2	2	
35	90201-06068	WASHER, PLATE ARRUELA PLANA	2	2	
36	68F-42828-11-9S	PLATE, CLAMP PLACA DA BRACADEIRA	1	1	
37	90109-06M82	BOLT PARAFUSO	2	2	
38	69J-42816-00-8D	LEVER, CLAMP ALAVANCA DA BRACADEIRA	1	1	
39	90386-15M73	BUSH BUCHA	2	2	
40	90206-15M18	WASHER, WAVE ARRUELA ONDULADA	1	1	
41	68V-42818-01	LEVER, CLAMP ALAVANCA DA BRACADEIRA	1	1	
42	97095-06020	BOLT PARAFUSO	1	1	
43	90201-06068	WASHER, PLATE ARRUELA PLANA	1	1	
44	64D-43144-00	HOOK, SPRING GANCHO DA MOLA	3	3	
45	90109-06M86	BOLT PARAFUSO	3	3	
46	90506-18M40	SPRING, TENSION MOLA DE TENSÃO	3	3	
47	6P2-42743-00	BRACKET SUPORTE	1	1	
48	90109-06M82	BOLT PARAFUSO	1	1	
49	6P2-42766-20	BRACKET 2 SUPORTE 2	1	1	
50	90269-05005	RIVET REBITE	2	2	
51	69J-8366G-02	BRACKET 3 SUPORTE 3	1	1	
52	90109-06M86	BOLT PARAFUSO	1	1	
53	90464-18004	CLAMP BRACADEIRA	2	2	
54	68F-42753-00	FASTNER COBERTURA	1	1	AP AP



6P2D280-Q230

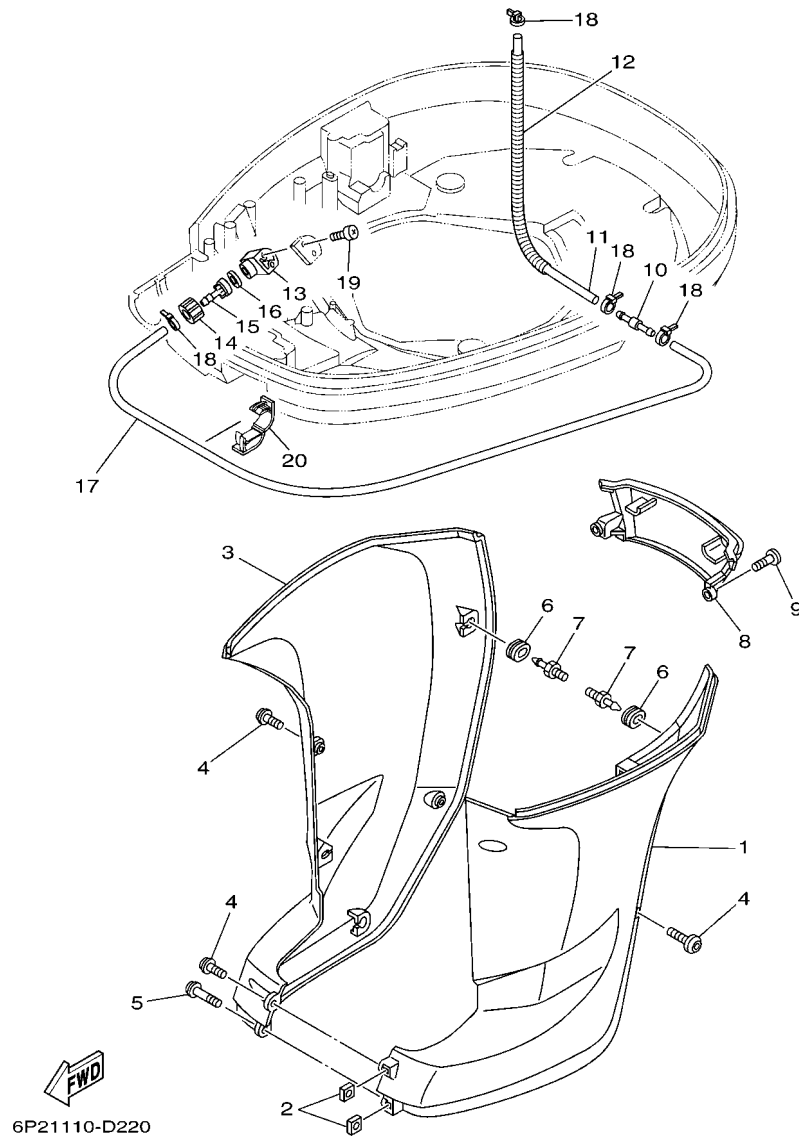
FIG. 23 BOTTOM COWLING 1

BANDEJA DO CAPO 1

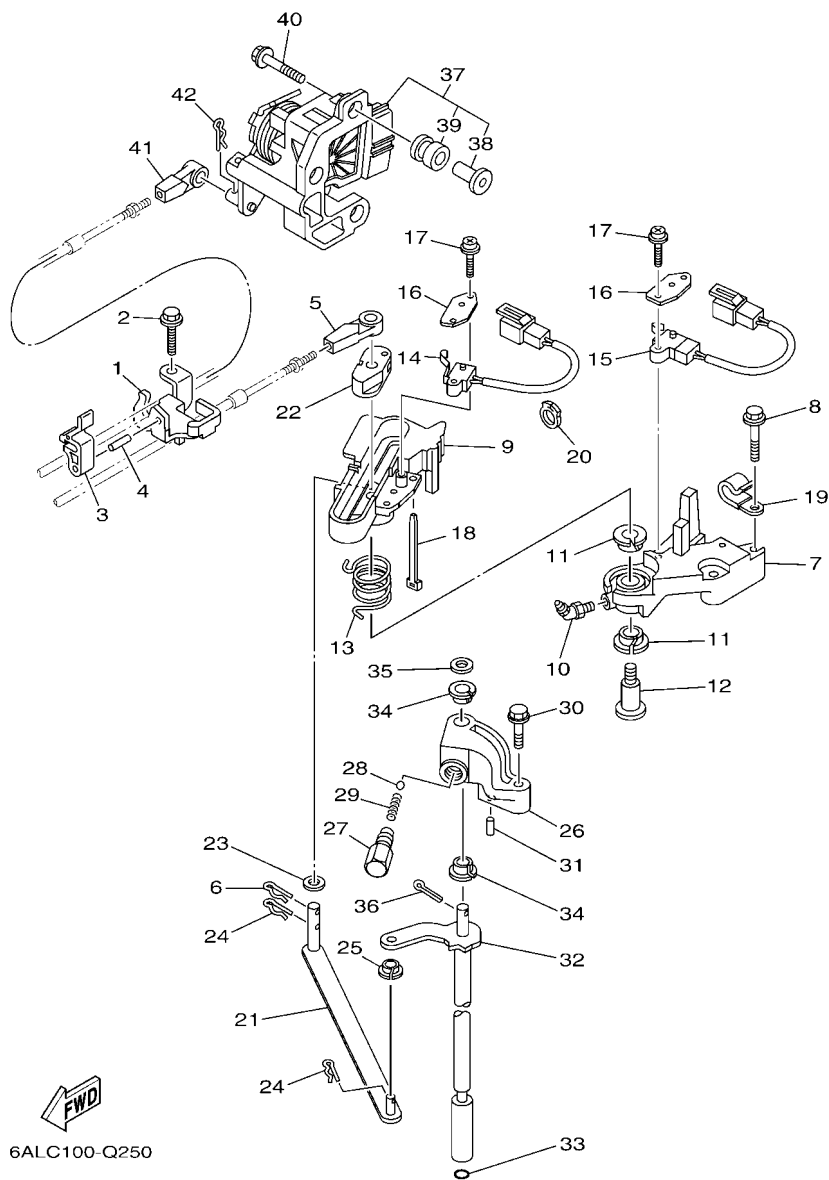
REF. NO.	PART NO. No. PEÇA	DESCRIPTION DESCRIÇÃO	6P2D	6P3D	REMARKS OBSERVAÇÕES
55	90464-20258	CLAMP BRACADEIRA	1	1	AP
56	6P2-82594-00	CLAMP GRAMPO DO CHICOTE	1	1	AP
57	90109-06M86	BOLT PARAFUSO	1	1	
58	6AH-42794-70	LABEL, WARNING (GENERAL) ETIQUETA ADVERTENCIA	1	1	

FIG. 24 BOTTOM COWLING 2

BANDEJA DO CAPO 2



REF. NO.	PART NO. No. PEÇA	DESCRIPTION DESCRIÇÃO	6P2D	6P3D	REMARKS OBSERVAÇÕES
1	69J-42741-00-8D	APRON ABA	1	1	
2	90173-06001	NUT, SQUARE PORCA	2	2	
3	69J-42771-00-8D	APRON CORREIA	1	1	
4	90111-06144	BOLT,HEX. SOCKET BUTTON PARAFUSO	5	5	
5	90111-06142	BOLT,HEX. SOCKET BUTTON PARAFUSO	1	1	
6	90480-14M17	GROMMET ILHO DE BORRACHA	6	6	
7	69J-42774-10	STAY, APRON 1 SUPORTE DA CORREIA 1	6	6	
8	69J-45151-00-8D	COVER, UPPER CASING TAMPA DA CAIXA SUPERIOR	1	1	
9	90111-06144	BOLT,HEX. SOCKET BUTTON PARAFUSO	2	2	
10	6E5-24379-00	PIPE, JOINT 4 JUNCAO DO TUBO 4	1	1	
11	90445-11M47	HOSE (L370) TUBO (L370)	1	1	
12	90447-13009	TUBE TUBO	1	1	
13	6DR-12572-00	ADAPTER ADAPTADOR	1	1	
14	6R3-12581-00	JOINT, HOSE 1 JUNCAO DA MANGUEIRA 1	1	1	
15	6R3-12582-00	JOINT, HOSE 2 JUNCAO DA MANGUEIRA 2	1	1	
16	6R3-12583-00	GASKET, HOSE JOINT GAXETA DA JUNCAO DA MANGUEIRA	1	1	
17	90445-11028	HOSE (L1050) TUBO (L1050)	1	1	
18	90465-11M10	CLAMP BRACADEIRA	4	4	
19	97780-60520	SCREW, TAPPING PARAFUSO	2	2	
20	90464-18004	CLAMP BRACADEIRA	1	1	

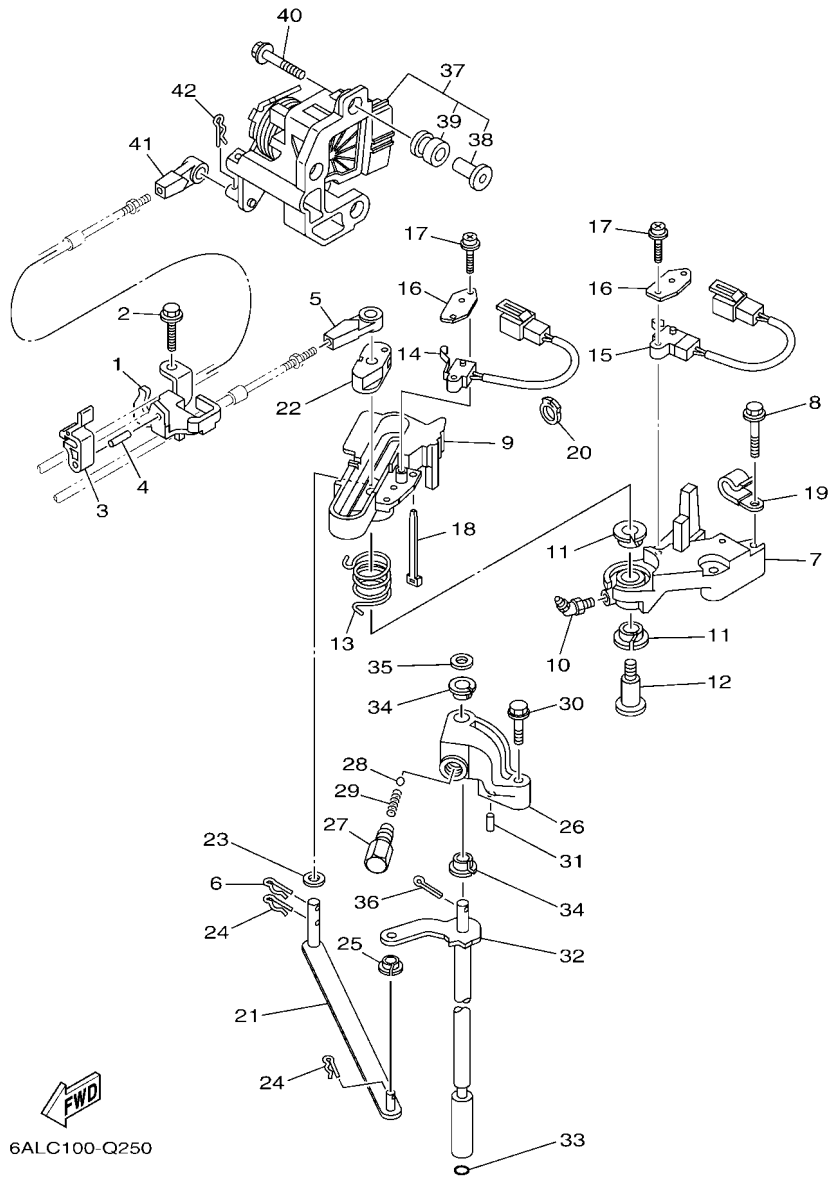


6ALC100-Q250

FIG. 25 CONTROL

CONTROLE

REF. NO.	PART NO. No. PEÇA	DESCRIPTION DESCRIÇÃO	6P2D	6P3D	REMARKS OBSERVAÇÕES
1	6P2-48531-00	BRACKET, REMOTE CONTROL 1 SUPORTE CONTROLE REMOTO	1	1	
2	90109-06M86	BOLT PARAFUSO	2	2	
3	63P-48538-00	CLAMP, CABLE 1 GRAMPO DO CABO 1	1	1	
4	91690-30010	PIN, SPRING PINO MOLA	1	1	
5	6E5-48344-00	CABLE END, REMOTE CONTROL TERMINAL DO CABO DE CONTROL	1	1	
6	90468-18008	CLIP PRESILHA	1	1	
7	69J-44117-00	BRACKET SUPORTE	1	1	
8	97595-06535	BOLT, WITH WASHER PARAFUSO COM ARRUELA	2	2	
9	69J-44176-01	BRACKET SUPORTE	1	1	
10	93700-06M01	NIPPLE, GREASE NIPLE DE GRAXA	1	1	
11	90386-12069	BUSH BUCHA	2	2	
12	90109-08019	BOLT PARAFUSO	1	1	
13	90508-20020	SPRING, TORSION MOLA DE TORCAO	1	1	
14	60V-8259F-00	SWITCH ASSY INTERRUPTOR DE COMANDO CONJ.	1	1	
15	69J-8259F-00	SWITCH ASSY INTERRUPTOR DE COMANDO CONJ.	1	1	
16	61A-82588-01	PLATE PLACA	2	2	
17	97985-04116	SCREW, WITH WASHER PARAFUSO	4	4	
18	90465-11M10	CLAMP BRACADEIRA	1	1	
19	90465-06M86	CLAMP BRACADEIRA	1	1	
20	90464-09010	CLAMP BRACADEIRA	1	1	
21	6P2-44121-00	LEVER, SHIFT ROD ALAVANCA DA HASTE DE MUDANCA	1	1	
22	69J-44122-00	BUSHING, SHIFT ROD LEVER BUCHA DA ALAVANCA DE MUDANCA	1	1	
23	90202-08M20	WASHER, PLATE ARRUELA PLANA	1	1	
24	90468-18008	CLIP PRESILHA	2	2	
25	90386-06M12	BUSH BUCHA	1	1	
26	69J-44118-00	BRACKET SUPORTE	1	1	
27	648-42715-00	BUSHING BUCHA	1	1	



6ALC100-Q250

FIG. 25 CONTROL

CONTROLE

REF. NO.	PART NO. No. PEÇA	DESCRIPTION DESCRIÇÃO	6P2D	6P3D	REMARKS OBSERVAÇÕES
28	93501-04M02	BALL ESFERA	1	1	
29	90501-12082	SPRING, COMPRESSION MOLA DE COMPRESSAO	1	1	
30	97575-06535	BOLT, WITH WASHER PARAFUSO COM ARRUELA	1	1	
31	91690-30010	PIN, SPRING PINO MOLA	1	1	
32	69J-44120-01	HANDLE GEAR SHIFT ASSY ALAVANCA DE MUDANCA CONJ.	1	1	X(25.3") X(25.3")
33	93210-09165	O-RING ANEL DE BORRACHA	1	1	
34	90386-90M90	BUSH BUCHA	2	2	
35	90201-09M02	WASHER, PLATE ARRUELA PLANA	1	1	
36	91490-20015	PIN, COTTER CONTRAPINO	1	1	
37	6P2-8A410-01	SENSOR UNIT SENSOR CONJ.	1	1	
38	6P2-44139-00	.COLLAR .COLAR	3	3	
39	6CB-41273-00	.GROMMET .ILHO	3	3	
40	90119-06126	BOLT, WITH WASHER PARAFUSO COM ARRUELA	3	3	
41	6E5-48344-00	CABLE END, REMOTE CONTROL TERMINAL DO CABO DE CONTROL	1	1	
42	90468-18008	CLIP PRESILHA	1	1	

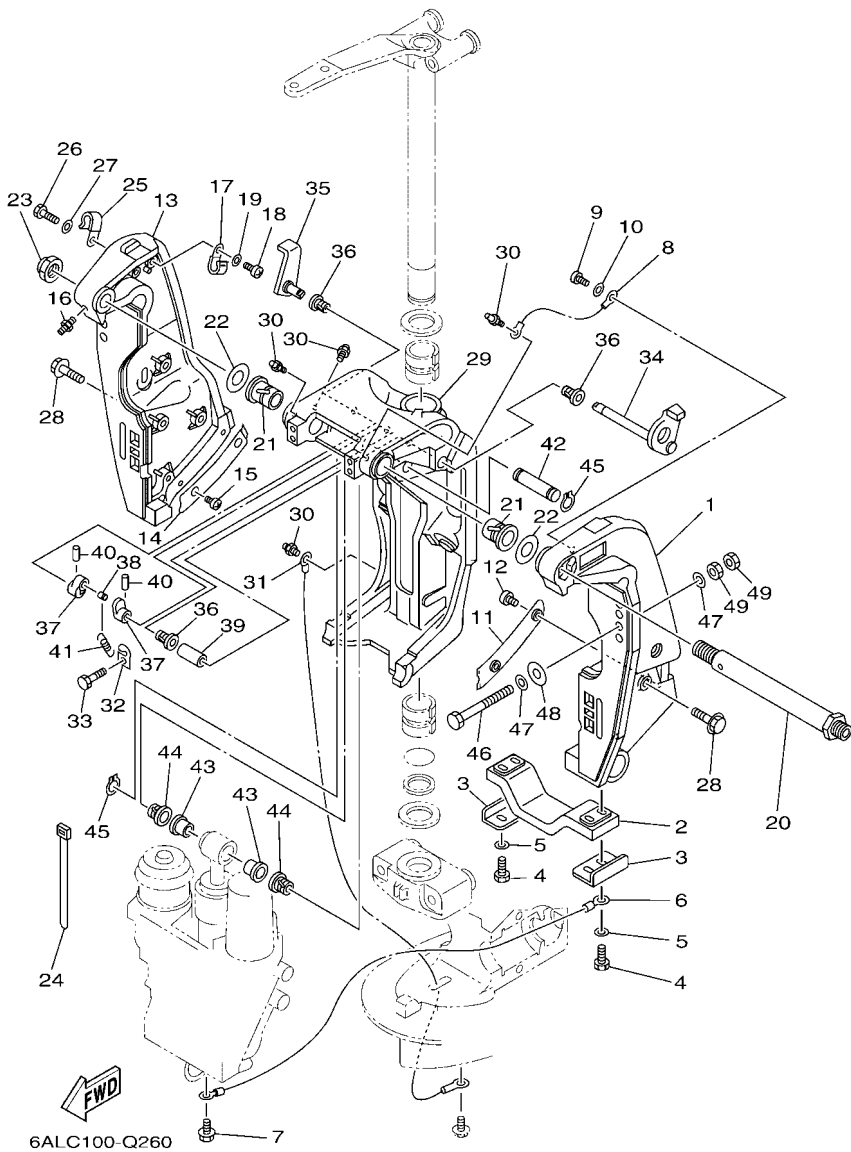


FIG. 26 BRACKET 1

SUPORTE 1

REF. NO.	PART NO. No. PEÇA	DESCRIPTION DESCRIÇÃO	6P2D	6P3D	REMARKS OBSERVAÇÕES
1	69J-43111-02-8D	BRACKET, CLAMP 1 SUPORTE DA BRACADEIRA 1	1	1	
2	6G5-45251-02	ANODE ANODO	1	1	
3	6G5-44526-00	PLATE PLACA	2	2	
4	97095-06025	BOLT PARAFUSO	4	4	
5	92995-06600	WASHER ARRUELA	4	4	
6	6H1-82148-00	WIRE, LEAD 4 FIO CONDUTOR 4	1	1	
7	97595-06510	BOLT, WITH WASHER PARAFUSO COM ARRUELA	1	1	
8	6E5-82148-00	WIRE, LEAD 4 FIO CONDUTOR 4	1	1	
9	97885-06012	SCREW, PAN HEAD PARAFUSO	1	1	
10	92995-06600	WASHER ARRUELA	1	1	
11	61A-43132-00	WASHER, FRICTION ARRUELA ESPECIAL FRICCAO	1	1	
12	97885-06010	SCREW, PAN HEAD PARAFUSO	2	2	
13	69J-43112-01-8D	BRACKET, CLAMP 2 SUPORTE DA BRACADEIRA 2	1	1	
14	61A-43133-00	WASHER, FRICTION ARRUELA ESPECIAL FRICCAO	1	1	
15	97885-06010	SCREW, PAN HEAD PARAFUSO	2	2	
16	93700-06M03	NIPPLE, GREASE NIPLE DE GRAXA	1	1	
17	90465-08M83	CLAMP BRACADEIRA	1	1	
18	97885-06012	SCREW, PAN HEAD PARAFUSO	1	1	
19	92995-06600	WASHER ARRUELA	1	1	
20	6R3-43131-00	BOLT, CLAMP BRACKET PARAFUSO DE ACO	1	1	
21	90386-25M31	BUSH BUCHA	2	2	
22	90201-26M59	WASHER, PLATE ARRUELA PLANA	2	2	
23	90185-22M11	NUT, SELF-LOCKING PORCA AUTOTRAVANTE	1	1	
24	90465-11M10	CLAMP BRACADEIRA	4	4	
25	90465-08M83	CLAMP BRACADEIRA	1	1	
26	97095-06014	BOLT PARAFUSO	1	1	
27	92995-06600	WASHER ARRUELA	1	1	

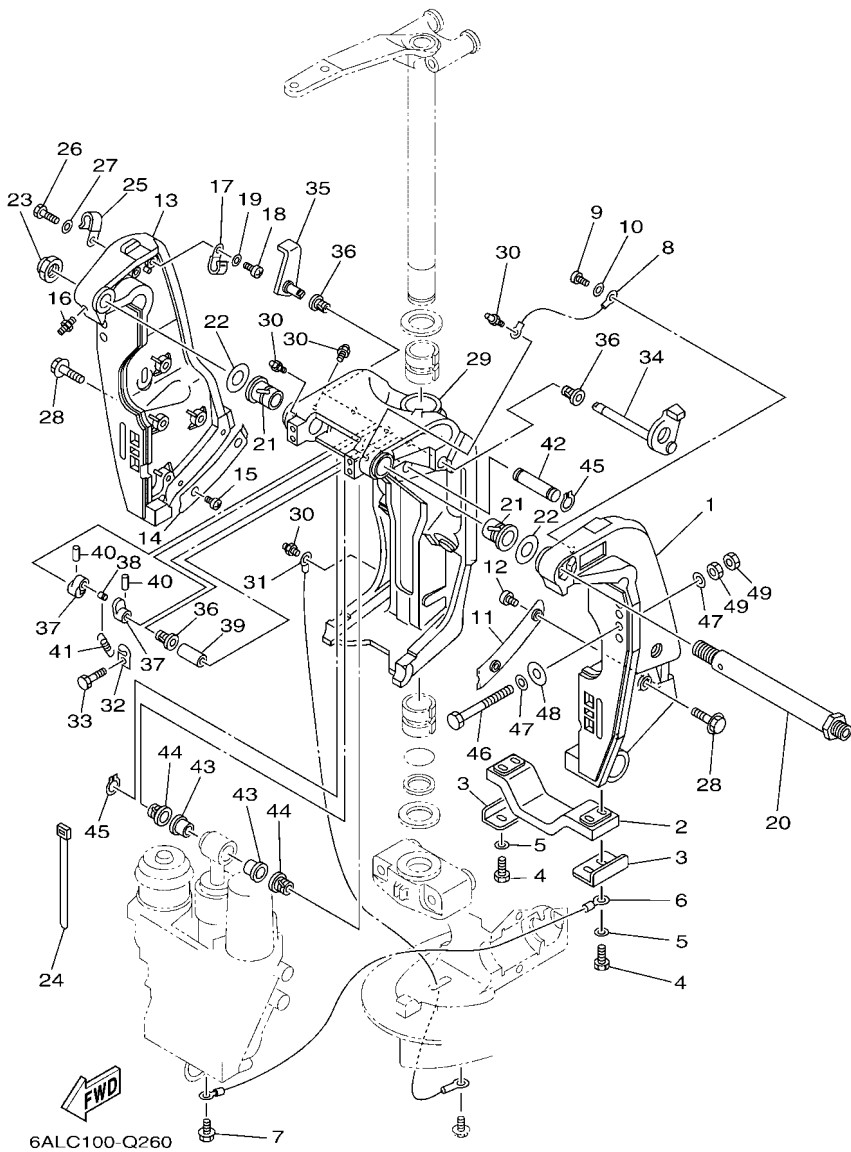
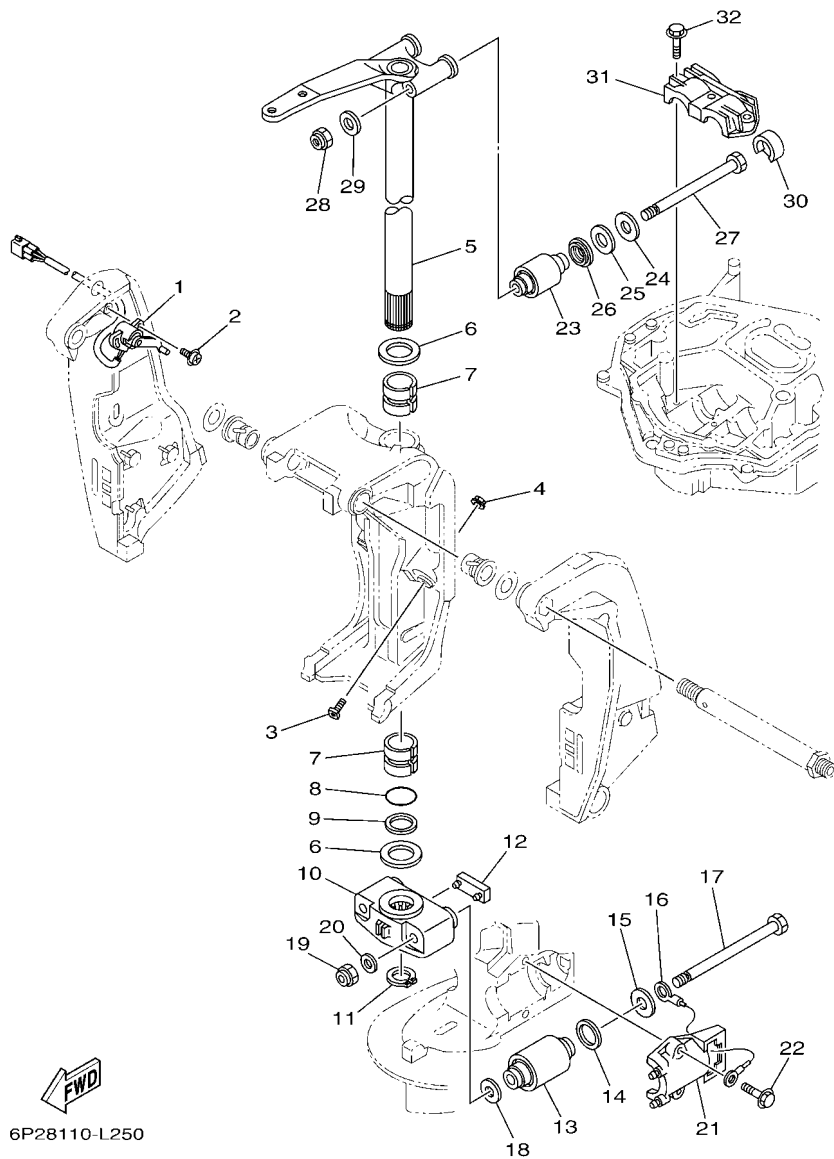


FIG. 26 BRACKET 1

SUPORTE 1

REF. NO.	PART NO. No. PEÇA	DESCRIPTION DESCRIÇÃO	6P2D	6P3D	REMARKS OBSERVAÇÕES
28	90119-10024	BOLT, WITH WASHER PARAFUSO COM ARRUELA	8	8	
29	61A-43311-22-8D	BRACKET, SWIVEL 1 SUPORTE DO EIXO GIRATORIO	1	1	
30	93700-06M03	NIPPLE, GREASE NIPLE DE GRAXA	5	5	
31	69J-82147-00	WIRE, LEAD 5 FIO CONDUTOR 5	1	1	
32	6G5-43144-00	HOOK, SPRING GANCHO DA MOLLA	1	1	
33	97095-06010	BOLT PARAFUSO	1	1	
34	61A-43181-01	LEVER, TILT STOP 1 ALAVANCA LIMITADORA INCLINAC 1	1	1	
35	6G5-43185-02	LEVER, TILT STOP 2 ALAVANCA LIMITADORA INCLINAC 2	1	1	
36	90386-10M16	BUSH BUCHA	3	3	
37	6G5-43148-00	COLLAR, DISTANCE COLAR DE DISTANCIA	2	2	
38	90249-06M19	PIN PINO	1	1	
39	90387-10M05	COLLAR ESPACADOR	1	1	
40	91690-30020	PIN, SPRING PINO MOLLA	2	2	
41	90506-16003	SPRING, TENSION MOLLA DE TENSAO	1	1	
42	6E5-43126-10	PIN, UPPER SHOCK MOUNT PINO DO AMORTIZADOR SUPERIOR	1	1	
43	90386-18M63	BUSH BUCHA	2	2	
44	90386-18M14	BUSH BUCHA	2	2	
45	93410-18M05	CIRCLIP ANEL TRAVA	2	2	
46	90101-12M05	BOLT (L:130MM) PARAFUSO (L:130MM)	2	2	UR
	90101-12047	BOLT (L:150MM) PARAFUSO (L:150MM)	2	2	UR
47	90201-13M01	WASHER, PLATE ARRUELA PLANA	8	8	
48	90201-12426	WASHER, PLATE ARRUELA PLANA	4	4	
49	95380-12600	NUT PORCA	8	8	

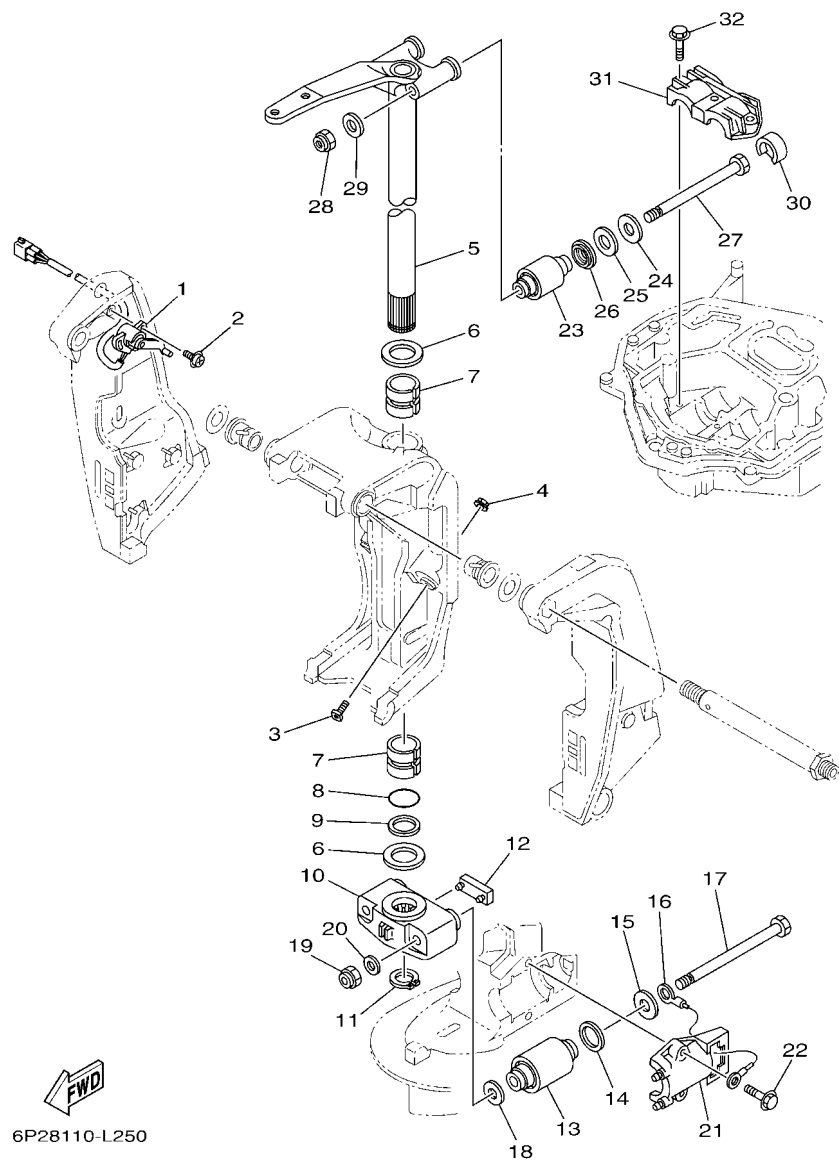


6P28110-L250

FIG. 27 BRACKET 2

SUPOORTE 2

REF. NO.	PART NO. No. PEÇA	DESCRIPTION DESCRIÇÃO	6P2D	6P3D	REMARKS OBSERVAÇÕES
1	69J-83672-11	TRIM SENDER SENSOR DO TRIM	1	1	
2	97985-06216	SCREW, WITH WASHER PARAFUSO	2	2	
3	61A-43376-00	BOLT, THRUST RECEIVER PARAFUSO ESPECIAL TRAVAMENTO	2	2	
4	95780-10300	NUT, FLANGE PORCA FLANGE	2	2	
5	69J-42510-00-8D	STEERING BRACKET ASSY SUPORTE DIRECIONAL CONJ.	1	1	
6	90201-40M00	WASHER, PLATE ARRUELA PLANA	2	2	
7	90386-39M89	BUSH BUCHA	2	2	
8	93210-35321	O-RING ANEL DE BORRACHA	1	1	
9	90202-40M47	WASHER, PLATE ARRUELA PLANA	1	1	
10	69J-44551-00-8D	HOUSING, LOWER MOUNT RUBBER 1 ALOJAMENTO DO SUPORTE INFERIOR	1	1	
11	93410-37M04	CIRCLIP ANEL TRAVA	1	1	
12	61A-44575-00	DAMPER, LOWER MOUNT RUBBER BORRACHA AMORTIZADOR INFERIOR	1	1	
13	60X-44555-00	MOUNT DAMPER, LOWER SIDE AMORTIZADOR INFERIOR	2	2	
14	90202-32M19	WASHER, PLATE ARRUELA PLANA	2	2	
15	90201-16016	WASHER, PLATE ARRUELA PLANA	2	2	
16	6E5-82149-00	WIRE, LEAD 3 FIO CONDUTOR 5	1	1	
17	90101-14002	BOLT PARAFUSO	2	2	
18	90201-15M58	WASHER, PLATE ARRUELA PLANA	2	2	
19	90185-14M00	NUT, SELF-LOCKING PORCA AUTOTRAVANTE	2	2	
20	92995-14600	WASHER ARRUELA	2	2	
21	61A-44552-01-CA	HOUSING, LOWER MOUNT RUBBER 2 ALOJAMENTO DO SUPORTE INFERIOR	2	2	
22	90119-10024	BOLT, WITH WASHER PARAFUSO COM ARRUELA	4	4	
23	69J-44514-00	MOUNT DAMPER, UPPER SIDE AMORTIZADOR SUPERIOR	2	2	
24	90201-16015	WASHER, PLATE ARRUELA PLANA	2	2	
25	90202-28M46	WASHER, PLATE ARRUELA PLANA	2	2	
26	69J-44532-00	STOPPER, UPPER MOUNT LIMITADOR DE MONTAGEM SUPERIOR	2	2	
27	90101-14003	BOLT PARAFUSO	2	2	



6P28110-L250

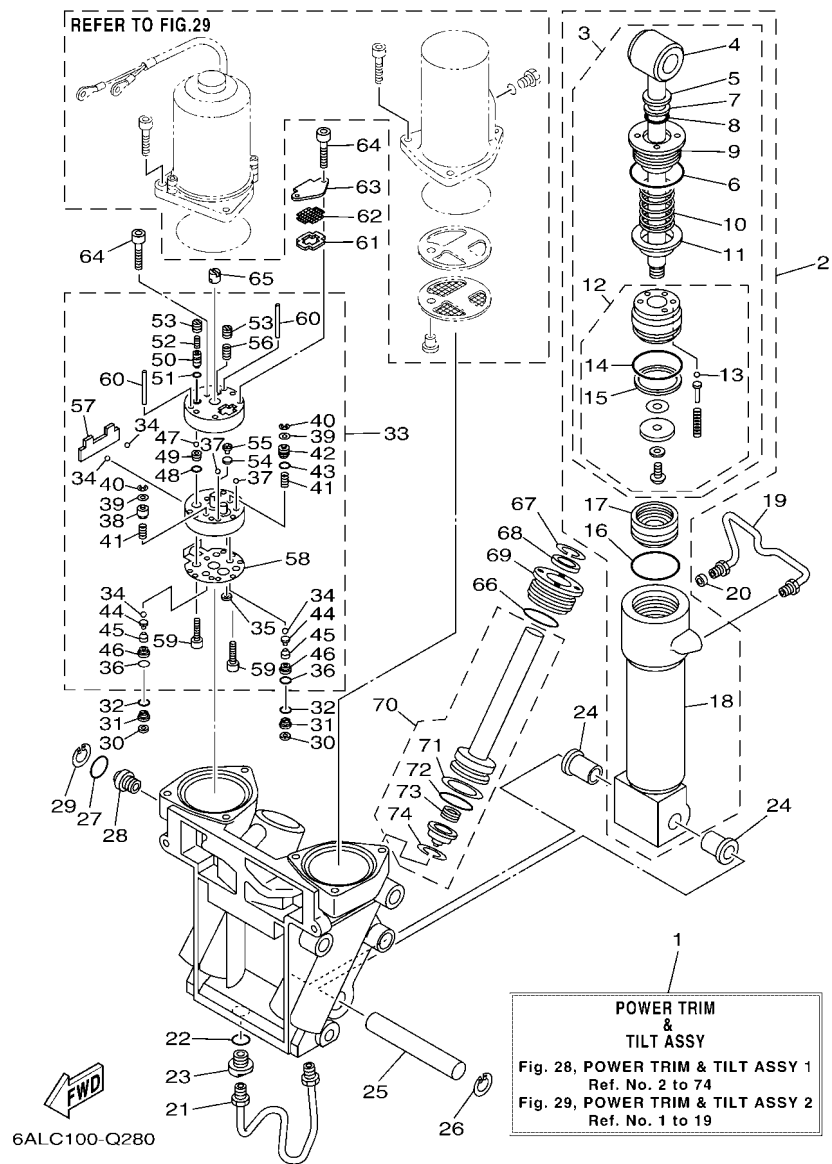
FIG. 27 BRACKET 2

SUPORTE 2

REF. NO.	PART NO. No. PEÇA	DESCRIPTION DESCRIÇÃO	6P2D	6P3D	REMARKS OBSERVAÇÕES
28	90185-14M00	NUT, SELF-LOCKING PORCA AUTOTRAVANTE	2	2	
29	92995-14600	WASHER ARRUELA	2	2	
30	69J-44533-00	DAMPER, UPPER MOUNT RUBBER AMORTIZADOR SUPERIOR	2	2	
31	61A-44511-01	COVER, UPPER MOUNT CAPA DE MONTAGEM SUPERIOR	1	1	
32	90119-10024	BOLT, WITH WASHER PARAFUSO COM ARRUELA	3	3	

FIG. 28 POWER TRIM & TILT ASSY 1

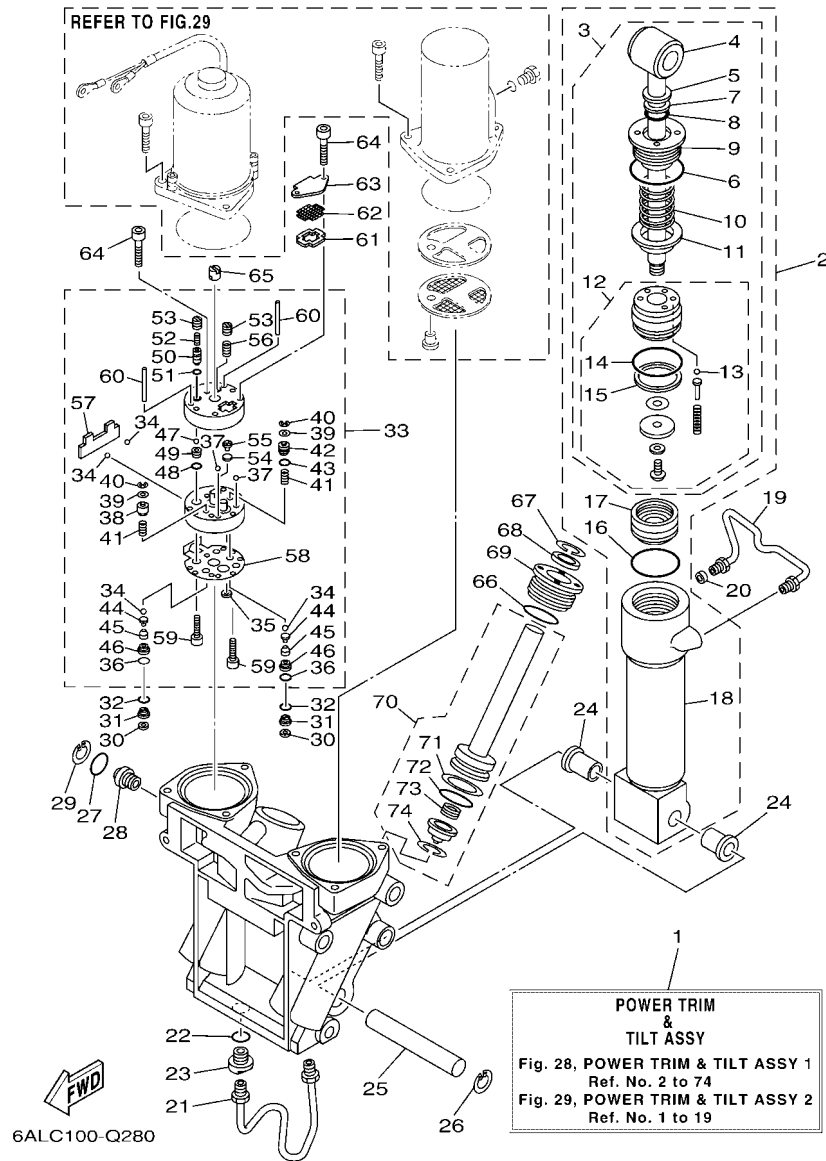
SISTEMA INCLINACAO 1



REF. NO.	PART NO. No. PEÇA	DESCRIPTION DESCRIÇÃO	6P2D	6P3D	REMARKS OBSERVAÇÕES
1	69J-43800-07-8D	POWER TRIM & TILT ASSY SISTEMA INCLINACAO (TRIM/TILT)	1	1	
2	6CE-43840-00	POWER TILT ASSY SISTEMA INCLINACAO (TILT)	1	1	
3	6CE-43810-00	.TILT PISTON SUB ASSY .PISTAO SUB CONJ.	1	1	
4	69J-43801-01	..ROD ..HASTE	1	1	
5	93106-19N50	..OIL SEAL ..RETENTOR DE OLEO	1	1	
6	6H1-43861-00	..O-RING ..ANEL DE BORRACHA	1	1	
7	6H1-43872-00	..RING, BACK UP ..ANEL TRASEIRO	1	1	
8	61A-4389H-01	..O-RING ..ANEL DE BORRACHA	1	1	
9	61A-43811-00	..SCREW, CYLINDER END ..PARAFUSO TERMINACAO CILINDRO	1	1	
10	69J-4384H-00	..SPRING ..MOLA	1	1	
11	69J-4382E-00	..ADAPTOR 2 ..ADAPTADOR 2	1	1	
12	6CE-4380P-00	..PISTON SUB ASSY ..PISTAO SUB CONJUNTO	1	1	
13	93505-32038	...BALL ...ESFERA	5	5	
14	61A-43861-00	...O-RING ...ANEL DE BORRACHA	1	1	
15	61A-43871-00	...RING, BACK UP ...ANEL TRASEIRO	1	1	
16	61A-43861-00	.O-RING .ANEL DE BORRACHA	1	1	
17	6H1-43814-00	.PISTON, FREE .PISTAO	1	1	
18	61A-43813-02	.CYLINDER, TILT .CILINDRO DO SISTEMA INCLINACAO	1	1	
19	61A-43835-01	PIPE TUBO	1	1	
20	69J-4388J-00	PLUG 2 PLUG 2	1	1	
21	69J-43833-02	PIPE TUBO	1	1	
22	93210-17239	O-RING ANEL DE BORRACHA	1	1	
23	69J-4388E-01	BOLT ,SCREW PARAFUSO	1	1	
24	90386-18M14	BUSH BUCHA	2	2	
25	61A-43818-00	PIN, LOWER SHOCK MOUNT PINO DO INFERIOR DE MONTAGEM	1	1	
26	61A-43876-00	RING, SNAP ANEL TRAVA DO RETENTOR	1	1	
27	6D8-43863-00	O-RING ANEL DE BORRACHA	1	1	

FIG. 28 POWER TRIM & TILT ASSY 1

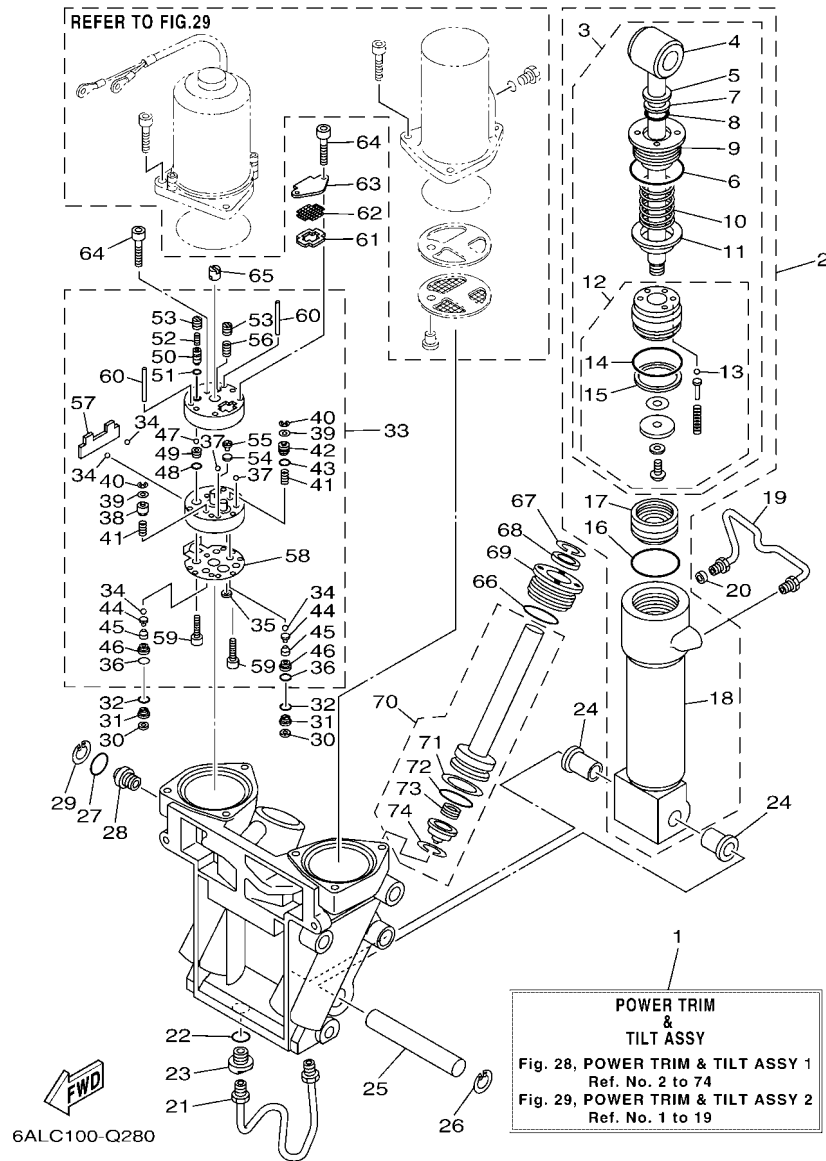
SISTEMA INCLINACAO 1



REF. NO.	PART NO. No. PEÇA	DESCRIPTION DESCRIÇÃO	6P2D	6P3D	REMARKS OBSERVAÇÕES
28	69J-43845-00	SCREW, MANUAL RELEASE PARAFUSO DO REGULAGEM MANUAL	1	1	
29	6H1-43875-00	RING, SNAP ANEL TRAVA DO RETENTOR	1	1	
30	69J-4381C-00	FILTER 3 FILTRO 3	2	2	
31	69J-43899-01	PLATE STOPPER PLACA DO LIMITADOR	2	2	
32	69J-4389J-00	O-RING ANEL DE BORRACHA	2	2	
33	69J-43830-01	GEAR PUMP ASSY ENGRENAGEM DA BOMBA CONJ.	1	1	
34	93505-32038	.BALL .ESFERA	4	4	
35	69J-4381C-00	.FILTER 3 .FILTRO 3	1	1	
36	69J-4389J-00	.O-RING .ANEL DE BORRACHA	2	2	
37	93503-16003	.BALL .ESFERA	2	2	
38	6CJ-4384M-00	.PISTON, SHUTTLE 2 .PISTAO 2	1	1	
39	69A-4384F-00	.SEAL, MAIN VALVE .RETENTOR DA VALVULA PRINCIPAL	2	2	
40	99002-03600	.CIRCLIP .ANEL TRAVA	2	2	
41	69J-43894-00	.SPRING, SHUTTLE RETURN .MOLA DO RETORNO	2	2	
42	6CJ-43841-00	.PISTON, SHUTTLE .PISTAO	1	1	
43	6H1-43883-00	.O-RING .ANEL DE BORRACHA	1	1	
44	60V-4386A-00	.PIN, ABSORBER VALVE .PINO	2	2	
45	69J-43853-00	.SPRING, MAIN VALVE .MOLA MESTRE DA VALVULA	2	2	
46	6CJ-43893-00	.WASHER .ARRUELA	2	2	
47	93501-08001	.BALL .ESFERA	2	2	
48	93210-08391	.O-RING .ANEL DE BORRACHA	1	1	
49	69J-43851-00	.SEAT, RELIEF VALVE .ASSENTO DA VALVULA	1	1	
50	6CJ-43844-00	.PIN, VALVE SUPPORT .PINO DE SUPORTE VALVULA	1	1	
51	93210-064A5	.O-RING .ANEL DE BORRACHA	1	1	
52	69J-43855-00	.SPRING, UP RELIEF .MOLA SUPERIOR	1	1	
53	6CJ-43843-00	.SCREW, VALVE LOCK PARAFUSO DA TRAVA VALVULA	2	2	
54	6H1-4384G-11	.SEAL, RELIEF VALVE .RETENTOR DA VALVULA	1	1	

SISTEMA INCLINACAO 1

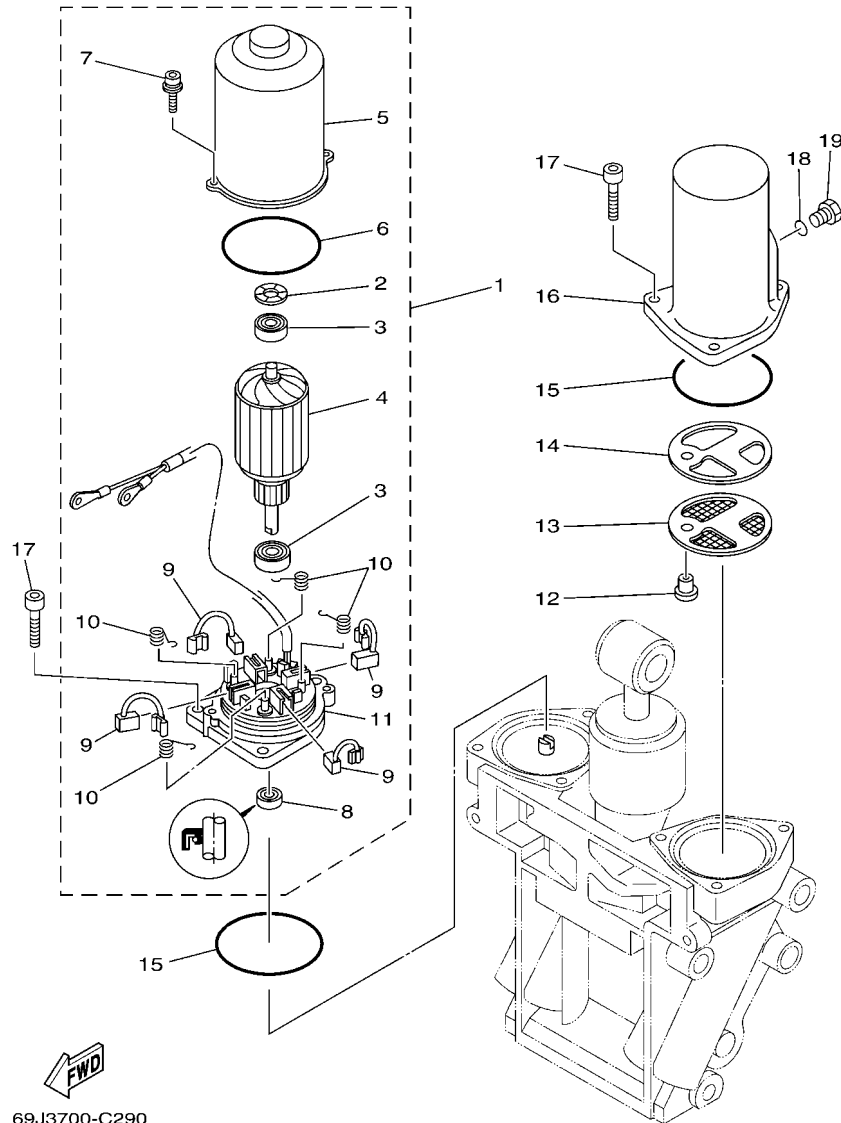
FIG. 28 POWER TRIM & TILT ASSY 1



REF. NO.	PART NO. No. PEÇA	DESCRIPTION DESCRIÇÃO	6P2D	6P3D	REMARKS OBSERVAÇÕES
55	6H1-43844-10	.PIN, VALVE SUPPORT .PINO DE SUPORTE VALVULA	1	1	
56	6H1-43856-10	.SPRING, DOWN RELIEF .MOLA INFERIOR	1	1	
57	69J-43854-00	.SPRING, MANUAL RELEASE .MOLA DO REGULAGEM MANUAL	1	1	
58	69J-4384G-00	.SEAL, RELIEF VALVE .RETENTOR DA VALVULA	1	1	
59	91318-05025	.BOLT .PARAFUSO	2	2	
60	93604-35236	.PIN, DOWEL .PINO GUIA	2	2	
61	69J-43871-00	RING, BACK UP ANEL TRASEIRO	1	1	
62	69J-43816-00	FILTER 1 FILTRO 1	1	1	
63	69J-4381J-00	PLATE PLACA	1	1	
64	91318-05040	BOLT PARAFUSO	3	3	
65	69J-43831-00	CONNECTOR, SHAFT CONECTOR DO EIXO	1	1	
66	61A-43861-00	O-RING ANEL DE BORRACHA	2	2	
67	6T4-43875-01	RING, SNAP ANEL TRAVA DO RETENTOR	2	2	
68	61A-43822-00	SEAL, TRIM DUST RETENTOR	2	2	
69	61A-43821-01	SCREW, TRIM CYLINDER END PARAFUSO TERMINACAO CILINDRO	2	2	
70	69J-43820-01	TRIM PISTON SUB ASSY PISTAO SUB CONJ.	2	2	
71	61A-43874-00	.RING, BACK UP .ANEL TRASEIRO	1	1	
72	61A-43864-00	.O-RING .ANEL DE BORRACHA	1	1	
73	61A-4384H-10	.SPRING .MOLA	1	1	
74	61A-43875-10	.RING, SNAP .ANEL TRAVA DO RETENTOR	1	1	

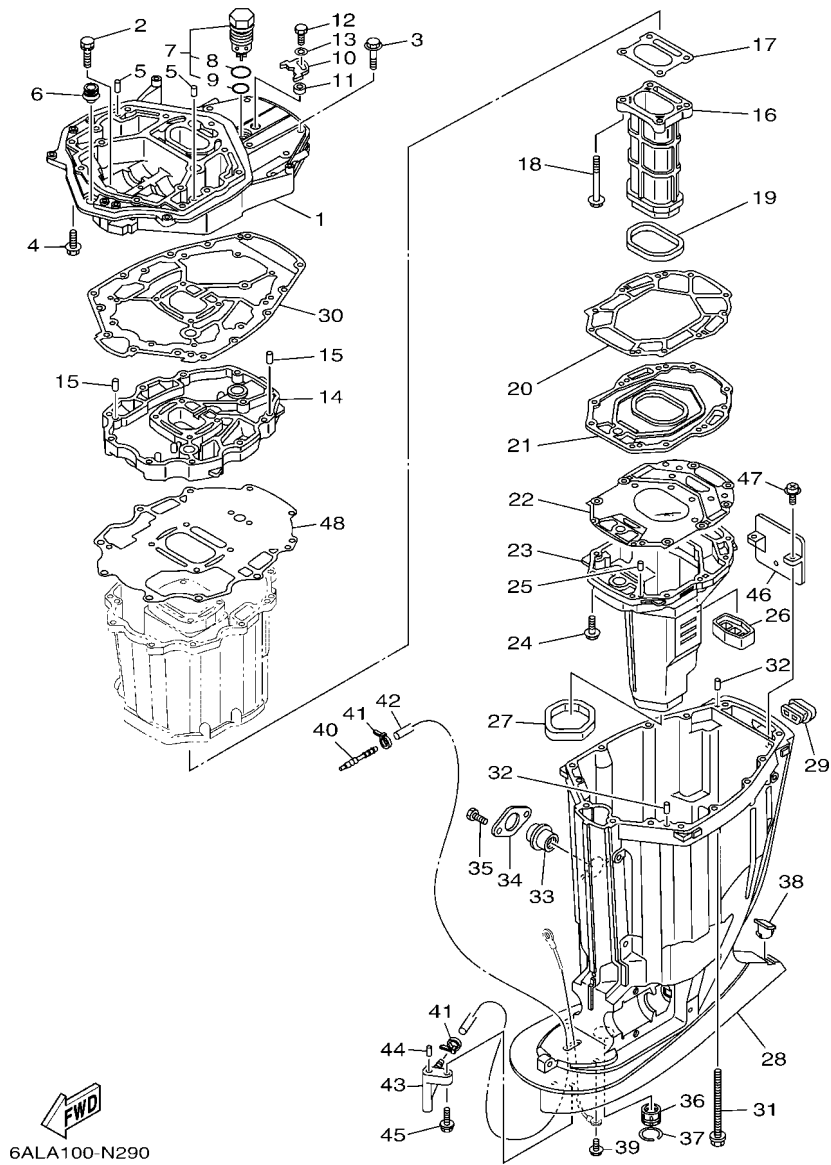
FIG. 29 POWER TRIM & TILT ASSY 2

SISTEMA INCLINACAO 2



69J3700-C290

REF. NO.	PART NO. No. PEÇA	DESCRIPTION DESCRIÇÃO	6P2D	6P3D	REMARKS OBSERVAÇÕES
1	69J-43880-01	MOTOR ASSY MOTOR CONJ.	1	1	
2	90206-14N50	.WASHER, WAVE .ARRUELA ONDULADA	1	1	
3	93399-999T6	.BEARING .ROLAMENTO	2	2	
4	69J-43805-00	.ARMATURE ASSY .ARMADURA CONJUNTO	1	1	
5	69J-43804-00	.STATOR ASSY .ESTATOR CONJUNTO	1	1	
6	69J-43861-00	.O-RING .ANEL DE BORRACHA	1	1	
7	69J-43886-00	.BOLT .PARAFUSO	2	2	
8	69J-43882-00	.OIL SEAL .RETENTOR DE OLEO	1	1	
9	69J-43891-00	.BRUSH 1 .ESCOVA 1	4	4	
10	69J-4386K-00	.SPRING, BRUSH .MOLA DAS ESCOVAS	4	4	
11	69J-43881-01	.FRAME, END .BASE DE TERMINACAO DO MOTOR	1	1	
12	69J-4388H-00	PLUG PLUG	1	1	
13	69J-43817-00	FILTER 2 FILTRO 2	1	1	
14	69J-4388F-00	SPACER ESPACADOR	1	1	
15	93210-66001	O-RING ANEL DE BORRACHA	2	2	
16	69J-43828-00	BODY, RESERVOIR CORPO DO RESERVATORIO	1	1	
17	69J-43888-00	BOLT, SOCKET PARAFUSO	6	6	
18	93210-09165	O-RING ANEL DE BORRACHA	1	1	
19	6H1-43829-00	PLUG, RESERVOIR TAMPAO DO RESERVATORIO	1	1	

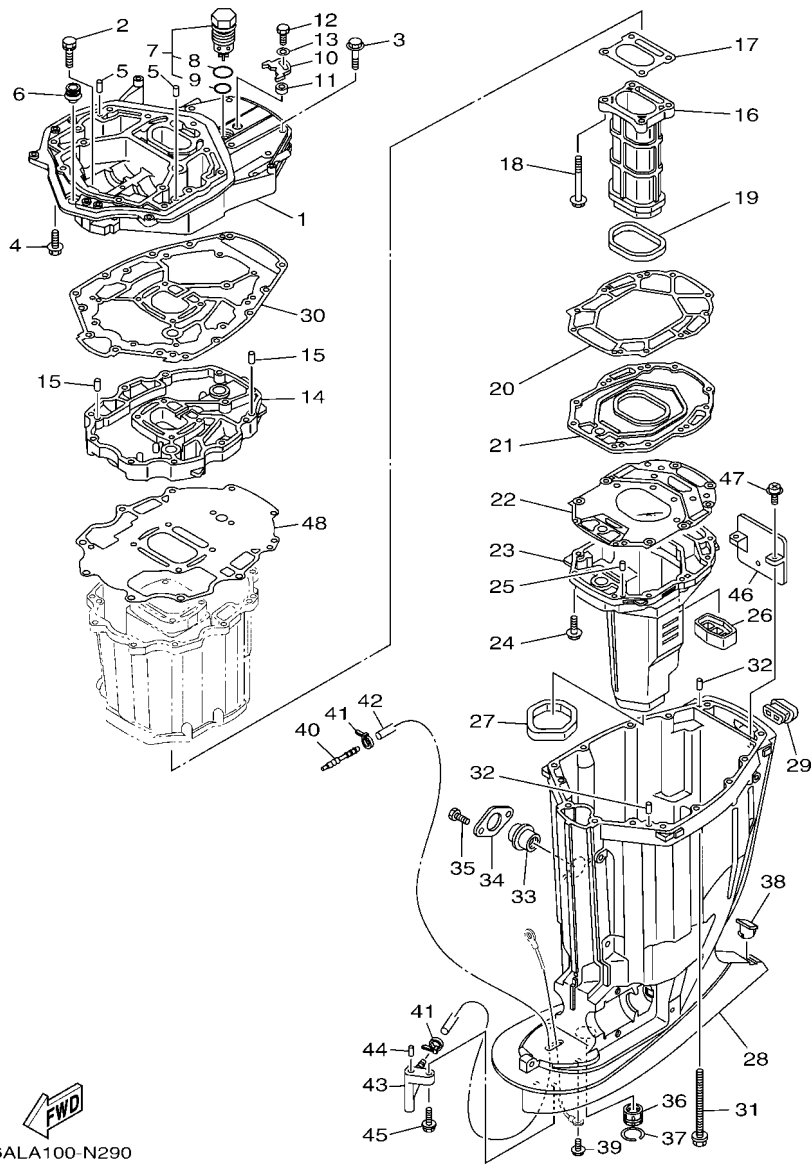


6ALA100-N290

FIG. 30 UPPER CASING

CAPA INFERIOR

REF. NO.	PART NO. No. PEÇA	DESCRIPTION DESCRIÇÃO	6P2D	6P3D	REMARKS OBSERVAÇÕES
1	69J-41137-10-CA	GUIDE, EXHAUST GUIA DO ESCAPE	1	1	
2	90119-08102	BOLT, WITH WASHER PARAFUSO COM ARRUELA	2	2	
3	97575-10545	BOLT, WITH WASHER PARAFUSO COM ARRUELA	7	7	
4	97575-10535	BOLT, WITH WASHER PARAFUSO COM ARRUELA	7	7	
5	93608-16M16	PIN, DOWEL PINO	2	2	
6	6E5-42724-00	GROMMET ILHO	1	1	
7	6AW-11371-10	PRESSURE CONTROL VALVE ASSY TAMPA	1	1	
8	93210-347A1	.O-RING .ANEL DE BORRACHA	1	1	
9	93210-28543	.O-RING .ANEL DE BORRACHA	1	1	
10	69J-12233-00	PLATE, GUIDE STOPPER 1 PLACA DA GUIA LIMITADORA 1	1	1	
11	90387-06037	COLLAR ESPACADOR	1	1	
12	97095-06020	BOLT PARAFUSO	1	1	
13	92995-06600	WASHER ARRUELA	1	1	
14	69J-41131-11-CA	MANIFOLD, EXT. 1 TUBO MULTIPLO DE ESCAPE 1	1	1	
15	93608-16M16	PIN, DOWEL PINO	2	2	
16	69J-41132-20-9S	MANIFOLD, EXHAUST TUBO MULTIPLO DE ESCAPE	1	1	
17	6P2-41134-00	GASKET, EXHAUST MANIFOLD GAXETA DO MULTIPLO DE ESCAPE	1	1	
18	97575-08590	BOLT, WITH WASHER PARAFUSO COM ARRUELA	4	4	
19	69J-41138-00	SEAL, EXT. 1 VEDACAO DO ESCAPE 1	1	1	
20	69J-41135-A0	GASKET, EXHAUST MANIFOLD GAXETA DO MULTIPLO DE ESCAPE	1	1	
21	69J-45181-10-9S	PLATE PLACA	1	1	
22	6S1-41136-00	GASKET, EXHAUST MANIFOLD 4 GAXETA DO MULTIPLO DE ESCAPE 4	1	1	
23	69J-14711-21-9S	MUFFLER 1 SILENCIADOR 1	1	1	
24	97575-08535	BOLT, WITH WASHER PARAFUSO COM ARRUELA	10	10	
25	93606-19M23	PIN, DOWEL PINO GUIA	2	2	
26	69J-45127-00	SEAL RETENTOR DE BORRACHA	1	1	
27	69J-45123-00	GASKET, MUFFLER GAXETA DO SILENCIADOR	1	1	



6ALA100-N290

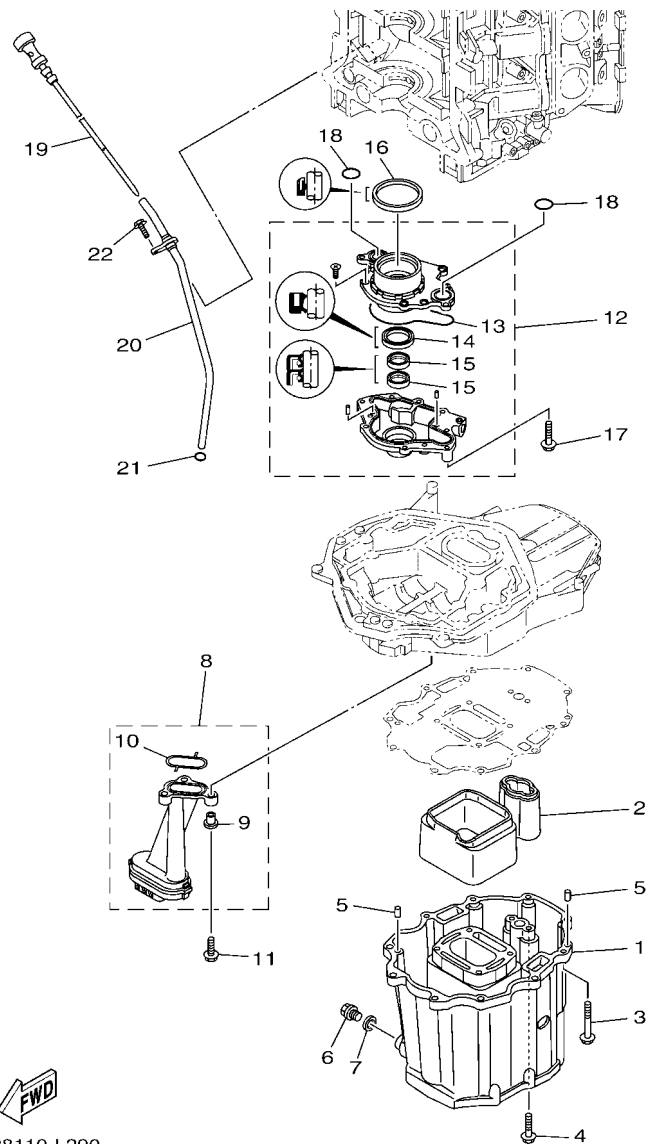
FIG. 30 UPPER CASING

CAPA INFERIOR

REF. NO.	PART NO. No. PEÇA	DESCRIPTION DESCRIÇÃO	6P2D	6P3D	REMARKS OBSERVAÇÕES
28	69J-45111-10-8D	CASING, UPPER CAIXA SUPERIOR	1	1	
29	69J-42769-00	SEAL, RUBBER RETENTOR DE BORRACHA	1	1	
30	69J-45113-20	GASKET, UPPER CASING GAXETA DA CAIXA SUPERIOR	1	1	
31	90119-10007	BOLT, WITH WASHER PARAFUSO COM ARRUELA	6	6	
32	93608-16M16	PIN, DOWEL PINO	2	2	
33	69J-15316-00	DAMPER 1 AMORTIZADOR 1	1	1	
34	69J-45152-10	COVER, UPPER CASING 2 TAMPA DA RABETA SUPERIOR 2	1	1	
35	97095-06012	BOLT PARAFUSO	2	2	
36	69J-45318-01	BUSHING, DRIVE SHAFT BUCHA DO EIXO DE DIRECAO	1	1	
37	93420-36M01	CIRCLIP ANEL TRAVA	1	1	
38	61A-45155-00	CAP CAPA	1	1	
39	95895-06010	BOLT, FLANGE PARAFUSO FLANGE	1	1	
40	6E5-83558-00	END, NIPPLE TERMINAL DE LIGACAO	1	1	
41	90465-11M10	CLAMP BRACADEIRA	2	2	
42	90445-07010	HOSE (L1330) TUBO (L1330)	1	1	X(25.3") X(25.3")
43	61A-45378-00	NIPPLE, HOSE NIPLE DO TUBO	1	1	
44	93606-12019	PIN, DOWEL PINO GUIA	1	1	
45	90119-06M17	BOLT, WITH WASHER PARAFUSO COM ARRUELA	1	1	
46	69J-14624-01	COVER, EXHAUST TAMPA DO ESCAPE	1	1	
47	97980-06216	SCREW, WITH WASHER PARAFUSO	2	2	
48	69J-15312-01	GASKET, OIL PAN GAXETA DA CAPA DO OLEO	1	1	

FIG. 31 OIL PAN

BANDEJA DE OLEO



REF. NO.	PART NO. No. PEÇA	DESCRIPTION DESCRIÇÃO	6P2D	6P3D	REMARKS OBSERVAÇÕES
1	69J-15311-10-CA	OIL PAN CARTER DO OLEO	1	1	
2	69J-15761-00	SEAL, RUBBER 1 VEDACAO DE BORRACHA 1	1	1	
3	97575-08560	BOLT, WITH WASHER PARAFUSO COM ARRUELA	10	10	
4	97575-08535	BOLT, WITH WASHER PARAFUSO COM ARRUELA	2	2	
5	93608-16M16	PIN, DOWEL PINO	2	2	
6	90340-14M06	PLUG, STRAIGHT SCREW TAMPAO DO DRENO	1	1	
7	90430-14M09	GASKET GAXETA	1	1	
8	69J-13411-00	STRAINER, OIL FILTRADOR DE OLEO	1	1	
9	90387-06263	.COLLAR .ESPACADOR	3	3	
10	69J-13415-00	.SEAL, OIL STRAINER .VEDACAO DO FILTRADOR DE OLEO	1	1	
11	95812-06025	BOLT, FLANGE PARAFUSO FLANGE	3	3	
12	6P2-13300-00	OIL PUMP ASSY BOMBA DE OLEO COMPLETA	1	1	
13	69J-13329-01	.GASKET, PUMP COVER .GAXETA DA TAMPA DA BOMBA	1	1	
14	6AW-13119-00	.OIL SEAL .VEDACAO DA GRAXA	1	1	
15	69J-13631-00	.OIL SEAL .RETENTOR DE OLEO	2	2	
16	69J-11355-00	SEAL, CYLINDER 1 VEDACAO DO CILINDRO 1	1	1	
17	97575-06540	BOLT, WITH WASHER PARAFUSO COM ARRUELA	4	4	
18	93210-25552	O-RING ANEL DE BORRACHA	2	2	
19	6P2-15362-10	PLUG, OIL LEVEL TAMPAO DO NIVEL DE OLEO	1	1	
20	6P2-15377-10	GUIDE, INLET GUIA DA ENTRADA	1	1	
21	93210-19MJ3	O-RING ANEL DE BORRACHA	1	1	
22	95895-06016	BOLT, FLANGE PARAFUSO FLANGE	1	1	

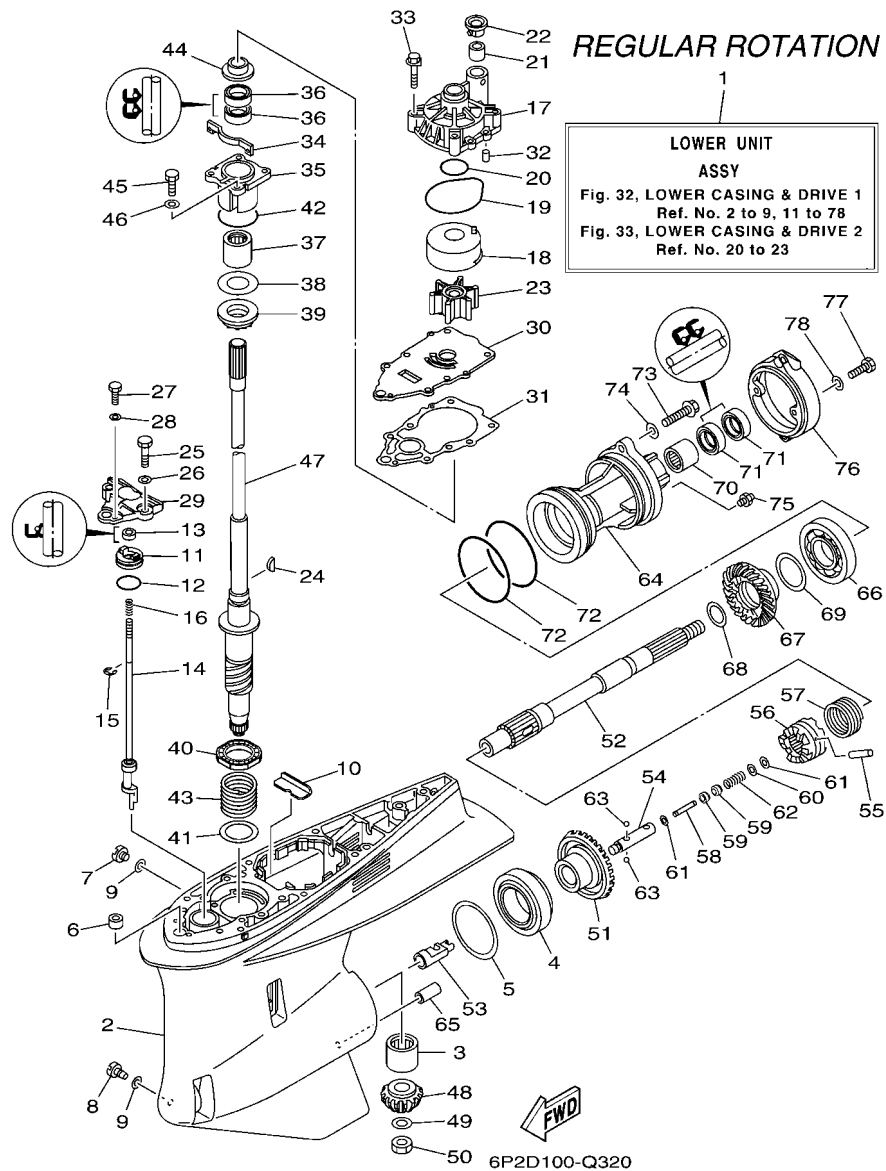


FIG. 32 LOWER CASING & DRIVE 1

CARCACA INF. E TRANSMISSAO 1

REF. NO.	PART NO. No. PEÇA	DESCRIPTION DESCRIÇÃO	6P2D	6P3D	REMARKS OBSERVAÇÕES
1	6P2-45300-41-8D	LOWER UNIT ASSY UNIDADE DA RABETA INFERIOR CJ.	1		X(25.3"),RH X(25.3"),RH
2	6P2-45301-10-8D	CASING, LOWER RABETA INFERIOR	1		
3	93311-83280	BEARING ROLAMENTO	1		
4	93332-000W1	BEARING ROLAMENTO	1		
5	61A-45567-00	SHIM (T:0.10MM) ARRUELA CALCO (T:0.10MM)	1		UR UR
61A-45567-10	SHIM (T:0.12MM) ARRUELA CALCO (T:0.12MM)	1		UR UR	
61A-45567-20	SHIM (T:0.15MM) ARRUELA CALCO (T:0.15MM)	1		UR UR	
61A-45567-30	SHIM (T:0.18MM) ARRUELA CALCO (T:0.18MM)	1		UR UR	
61A-45567-40	SHIM (T:0.30MM) ARRUELA CALCO (T:0.30MM)	1		UR UR	
61A-45567-50	SHIM (T:0.40MM) ARRUELA CALCO (T:0.40MM)	1		UR UR	
61A-45567-60	SHIM (T:0.50MM) ARRUELA CALCO (T:0.50MM)	1		UR UR	
6	663-44366-00	DAMPER, WATER SEAL 2 AMORTIZADOR DE BORRACHA 2	1		
7	90340-08002	PLUG, STRAIGHT SCREW TAMPAO DO DRENO	1		
8	688-45341-10	PLUG, DRAIN TAMPAO DE ESGOTO	1		
9	90430-08003	GASKET GAXETA	2		
10	61A-45376-00	GUIDE, SEAL DAMPER GUIA DE AMORTIZADOR DE VEDACAO	1		
11	65N-45321-00	PLATE PLACA	1		
12	93210-33M49	O-RING ANEL DE BORRACHA	1		
13	93106-09014	OIL SEAL RETENTOR DE OLEO	1		
14	6P2-44150-00	SHIFT CAM ASSY CAME DE MUDANCA CONJ.	1		
15	99001-08600	CIRCLIP ANEL TRAVA	1		
16	90501-11M10	SPRING, COMPRESSION MOLA DE COMPRESSAO	1		
17	61A-44311-01	HOUSING, WATER PUMP ALOJAMENTO DA BOMBA D'AGUA	1		
18	61A-44322-02	INSERT, CARTRIDGE INSERTO DA BOMBA D'AGUA	1		
19	93210-86M38	O-RING ANEL DE BORRACHA	1		
20	93210-37160	O-RING ANEL DE BORRACHA	1		
21	6E5-44365-00	DAMPER, WATER SEAL 1 AMORTIZADOR DE BORRACHA 1	1		

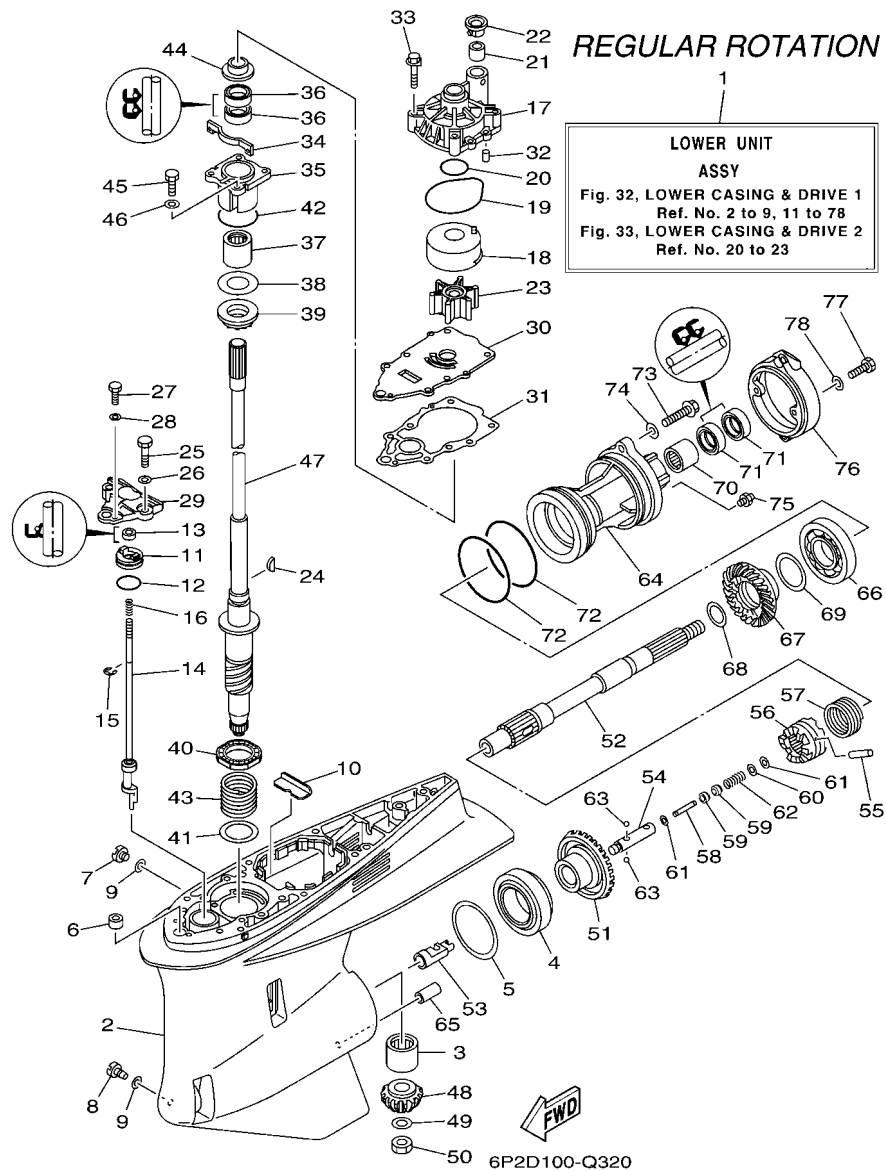


FIG. 32 LOWER CASING & DRIVE 1

CARCACA INF. E TRANSMISSAO 1

REF. NO.	PART NO. No. PEÇA	DESCRIPTION DESCRIÇÃO	6P2D	6P3D	REMARKS OBSERVAÇÕES
22	6E5-44312-00	COVER, WATER PUMP HOUSING TAMPA DA BOMBA D'AGUA	1		
23	6E5-44352-01	IMPELLER IMPULSOR	1		
24	90280-04M05	KEY, WOODRUFF CHAVETA MEIA LUA	1		
25	97095-08030	BOLT PARAFUSO	2		
26	92995-08600	WASHER ARRUELA	2		
27	97095-06016	BOLT PARAFUSO	1		
28	92995-06600	WASHER ARRUELA	1		
29	60X-44312-00	COVER, WATER PUMP HOUSING TAMPA DA BOMBA D'AGUA	1		
30	6P2-44323-00	OUTER PLATE, CARTRIDGE PLACA DA EXTERNA DA BOMBA	1		
31	60X-44315-A0	GASKET, WATER PUMP GAXETA DA BOMBA D'AGUA	1		
32	93606-12019	PIN, DOWEL PINO GUIA	2		
33	90119-08M14	BOLT, WITH WASHER PARAFUSO COM ARRUELA	4		
34	6P2-45723-00	PLATE, SEAL PLACA DO VEDADOR	1		
35	6P2-45331-00-9S	HOUSING, BEARING ALOJAMENTO DO ROLAMENTO	1		
36	93101-28M16	OIL SEAL RETENTOR DE OLEO	2		
37	93317-330U2	BEARING ROLAMENTO	1		
38	61A-45587-00	SHIM (T:0.10MM) ARRUELA CALCO (T:0.10MM)	1		UR
	61A-45587-10	SHIM (T:0.12MM) ARRUELA CALCO (T:0.12MM)	1		UR
	61A-45587-20	SHIM (T:0.15MM) ARRUELA CALCO (T:0.15MM)	1		UR
	61A-45587-30	SHIM (T:0.18MM) ARRUELA CALCO (T:0.18MM)	1		UR
	61A-45587-40	SHIM (T:0.30MM) ARRUELA CALCO (T:0.30MM)	1		UR
	61A-45587-50	SHIM (T:0.40MM) ARRUELA CALCO (T:0.40MM)	1		UR
	61A-45587-60	SHIM (T:0.50MM) ARRUELA CALCO (T:0.50MM)	1		UR
39	93341-93020	BEARING ROLAMENTO	1		
40	93341-34019	BEARING ROLAMENTO	1		
41	90201-42014	WASHER, PLATE ARRUELA PLANA	1		
42	93210-55M14	O-RING ANEL DE BORRACHA	1		

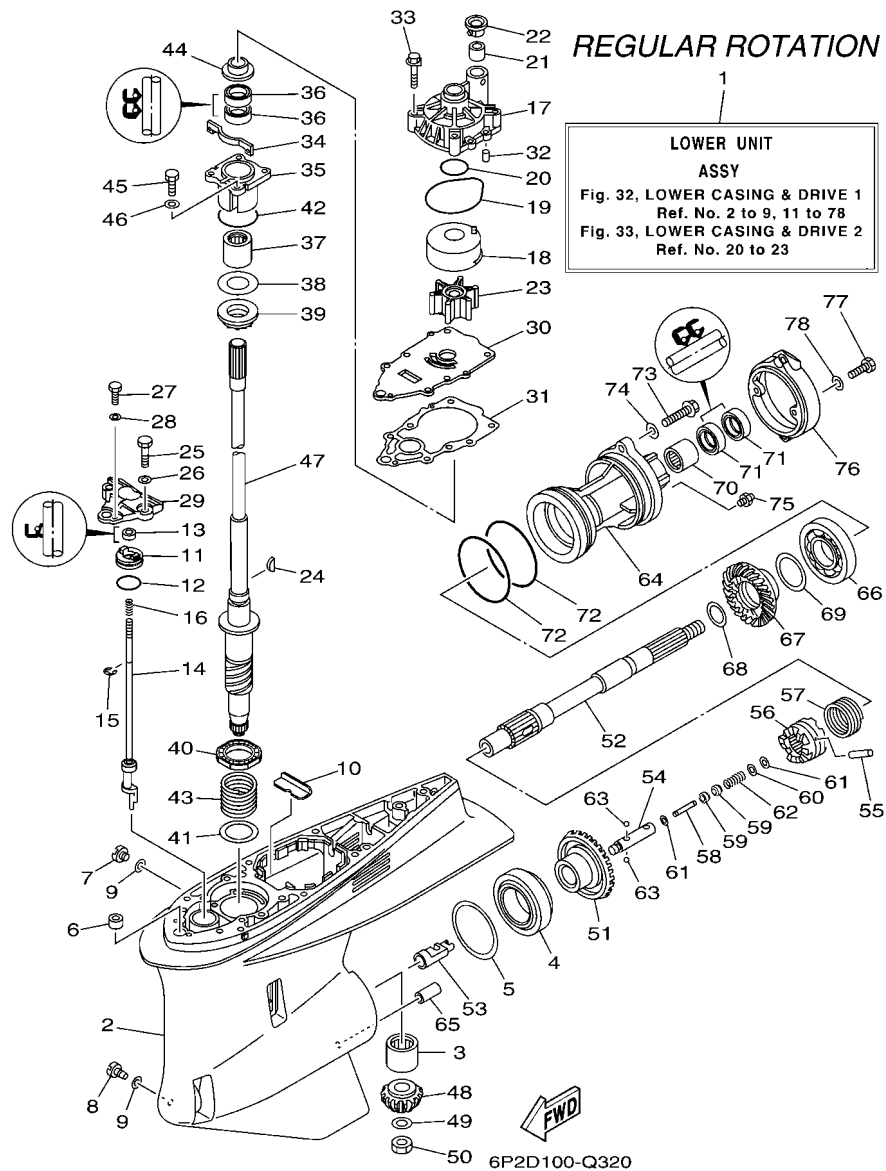


FIG. 32 LOWER CASING & DRIVE 1

CARCACA INF. E TRANSMISSAO 1

REF. NO.	PART NO. No. PEÇA	DESCRIPTION DESCRIÇÃO	6P2D	6P3D	REMARKS OBSERVAÇÕES
43	90501-450A2	SPRING, COMPRESSION MOLA DE COMPRESSAO	1		
44	6E5-45344-00	COVER, OIL SEAL TAMPA DO RETENTOR DE OLEO	1		
45	97095-08025	BOLT PARAFUSO	4		
46	92995-08600	WASHER ARRUELA	4		
47	6P2-45501-01	DRIVE SHAFT COMP. EIXO DE DIRECIONAL COMPL.	1		X(25.3") X(25.3")
48	6P2-45551-02	PINION (15T) PINHAO (13D)	1		
49	90201-16M00	WASHER, PLATE ARRUELA PLANA	1		
50	90170-16M19	NUT PORCA	1		
51	6P2-45560-01	GEAR 1 (30T) ENGRENAGEM 1 (30D)	1		
52	69J-45611-00	SHAFT, PROPELLER EIXO DA HELICE	1		
53	61A-45641-02	SHIFTER ALTERADOR DE MUDANCA	1		
54	61A-45634-01	SLIDE, SHIFT LAMINA DE MUDANCA	1		
55	61A-45632-00	PIN, CROSS PINO DE ACO	1		
56	69J-45631-00	CLUTCH, DOG ENGATE DA ENGRENAGEM	1		
57	61A-45633-00	RING, CROSS PIN ANEL DE FIXACAO DO PINHAO	1		
58	6H1-45668-00	SHAFT, FREE 1 EIXO DE LIVRE 1	1		
59	61A-45635-00	PLUNGER, SHIFT ACIONADOR DE MUDANCA	2		
60	90201-02M00	WASHER, PLATE ARRUELA PLANA	1		
61	90183-02M03	NUT, SPRING PORCA MOLA	2		
62	90501-10M77	SPRING, COMPRESSION MOLA DE COMPRESSAO	1		
63	93501-04011	BALL ESFERA	2		
64	6D0-45332-00-CA	HOUSING, BEARING ALOJAMENTO DO ROLAMENTO	1		
65	99590-10114	PIN, DOWEL PINO GUIA	1		
66	93306-210U0	BEARING ROLAMENTO	1		
67	6P2-45571-00	GEAR 2 (30T) ENGRENAGEM FRONTAL 2 (30D)	1		
68	6P2-45578-00	SHIM (T:1.80MM) ARRUELA CALCO (T:1.80MM)	1		UR UR
	6P2-45578-10	SHIM (T:1.90MM) ARRUELA CALCO (T:1.90MM)	1		UR UR

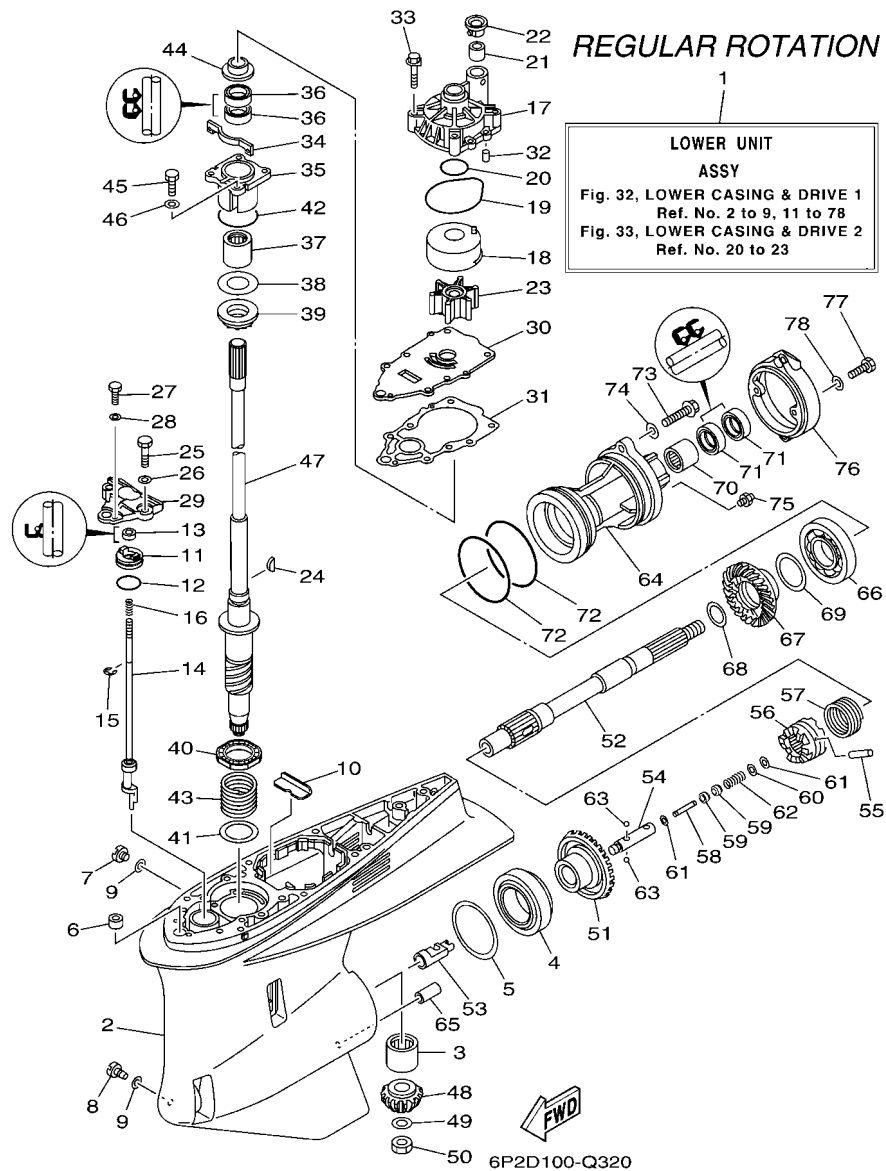


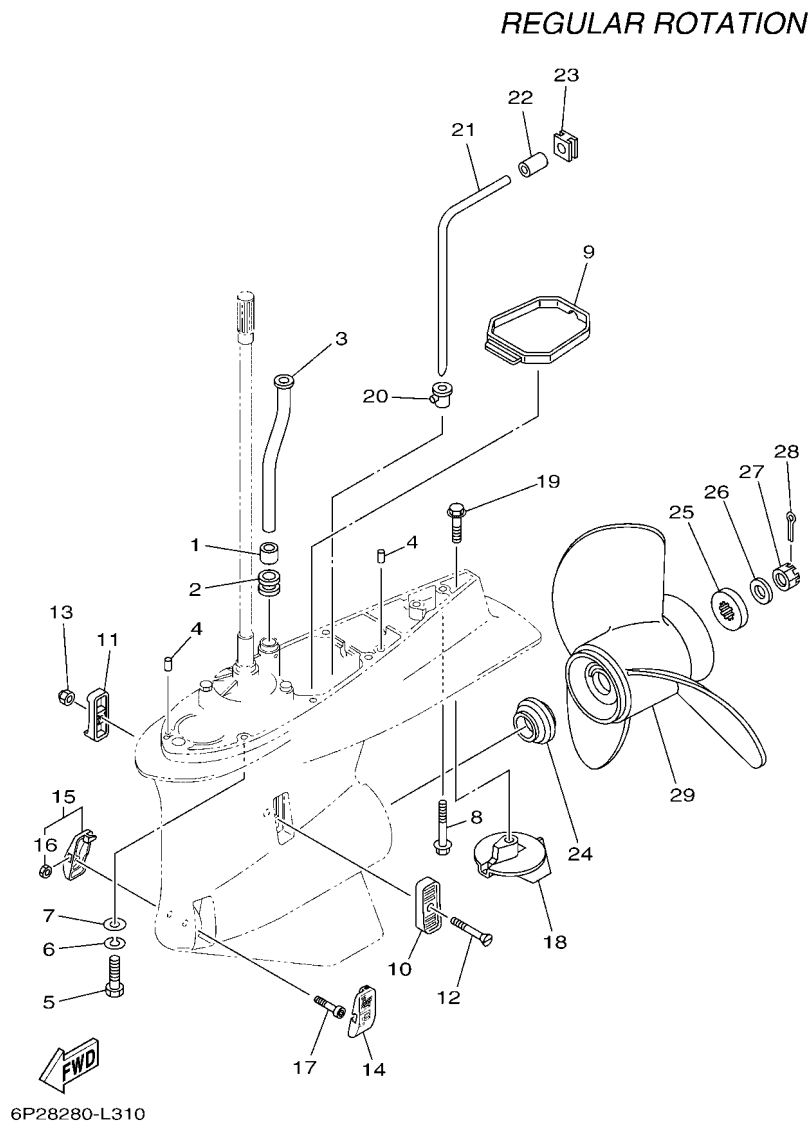
FIG. 32 LOWER CASING & DRIVE 1

CARCACA INF. E TRANSMISSAO 1

REF. NO.	PART NO. No. PEÇA	DESCRIPTION DESCRIÇÃO	6P2D	6P3D	REMARKS OBSERVAÇÕES
68	6P2-45578-20	SHIM (T:2.00MM) ARRUELA CALCO (T:2.00MM)	1		UR
	6P2-45578-30	SHIM (T:2.10MM) ARRUELA CALCO (T:2.10MM)	1		UR
	6P2-45578-40	SHIM (T:2.20MM) ARRUELA CALCO (T:2.20MM)	1		UR
69	61A-45577-00	SHIM (T:0.10MM) ARRUELA CALCO (T:0.10MM)	1		UR
	61A-45577-10	SHIM (T:0.12MM) ARRUELA CALCO (T:0.12MM)	1		UR
	61A-45577-20	SHIM (T:0.15MM) ARRUELA CALCO (T:0.15MM)	1		UR
	61A-45577-30	SHIM (T:0.18MM) ARRUELA CALCO (T:0.18MM)	1		UR
	61A-45577-40	SHIM (T:0.30MM) ARRUELA CALCO (T:0.30MM)	1		UR
	61A-45577-50	SHIM (T:0.40MM) ARRUELA CALCO (T:0.40MM)	1		UR
	61A-45577-60	SHIM (T:0.50MM) ARRUELA CALCO (T:0.50MM)	1		UR
70	93315-43064	BEARING ROLAMENTO	1		
71	93101-30002	OIL SEAL RETENTOR DE OLEO	2		
72	93211-04384	O-RING ANEL DE BORRACHA	2		
73	90105-08049	BOLT, FLANGE PARAFUSO FLANGE	2		
74	90201-08023	WASHER, PLATE ARRUELA PLANA	2		
75	93700-09M00	NIPPLE, GREASE NIPLE DE GRAXA	1		
76	6D0-45361-00-8D	CAP, LOWER CASING CAPA DA RABETA INFERIOR	1		
77	97095-08020	BOLT PARAFUSO	2		
78	92995-08600	WASHER ARRUELA	2		

FIG. 33 LOWER CASING & DRIVE 2

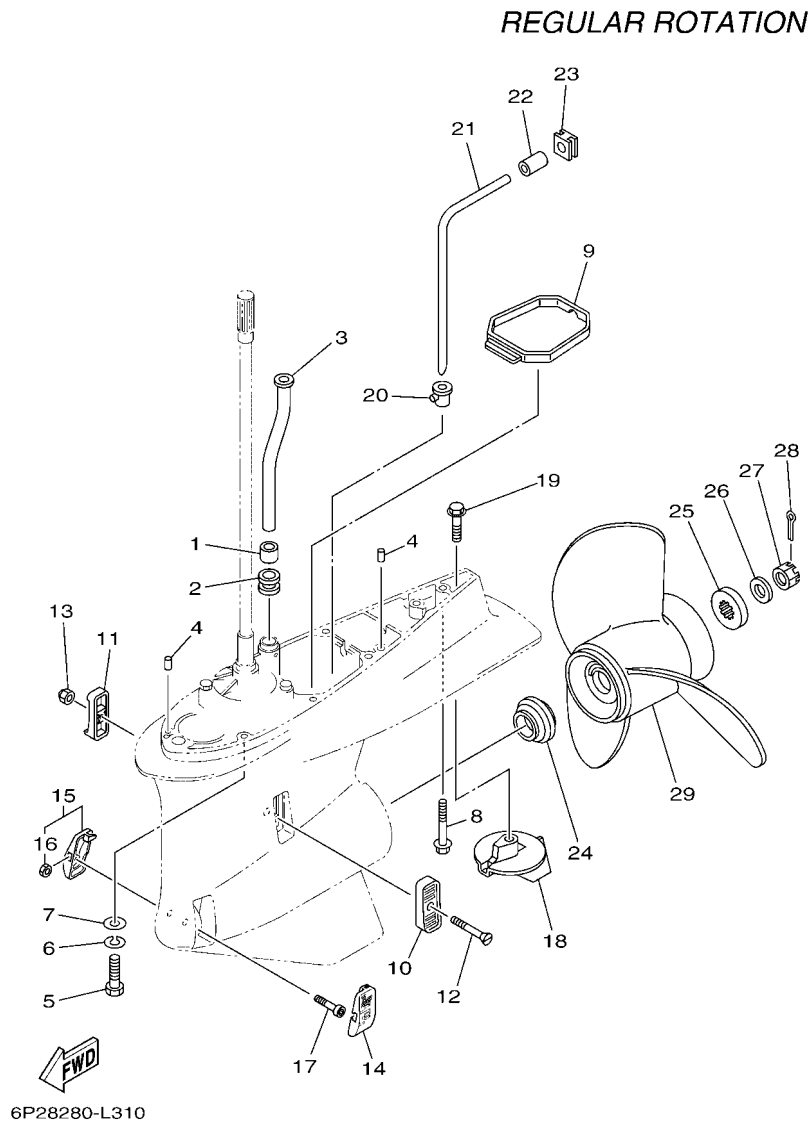
CARCACA INF. E TRANSMISSAO 2



REF. NO.	PART NO. No. PEÇA	DESCRIPTION DESCRIÇÃO	6P2D	6P3D	REMARKS OBSERVAÇÕES
1	6E5-44365-00	DAMPER, WATER SEAL 1 AMORTIZADOR DE BORRACHA 1	1		
2	6E5-44366-00	DAMPER, WATER SEAL 2 AMORTIZADOR DE BORRACHA 2	1		
3	6S1-44361-02	TUBE, WATER 1 TUBO DE AGUA 1	1		X(25.3") X(25.3")
4	93608-12M05	PIN, DOWEL PINO	2		
5	97095-10045	BOLT PARAFUSO	7		X(25.3") X(25.3")
6	92995-10100	WASHER ARRUELA	7		X(25.3") X(25.3")
7	92995-10600	WASHER ARRUELA	7		X(25.3") X(25.3")
8	90119-10MA2	BOLT, WITH WASHER PARAFUSO COM ARRUELA	1		X(25.3") X(25.3")
9	6D0-45375-01	DAMPER, SEAL AMORTIZADOR DE VEDACAO	1		
10	6P2-45214-00	COVER, WATER INLET 1 TAMPA DA ENTRADA DE AGUA 1	1		
11	6P2-45215-00	COVER, WATER INLET 2 TAMPA DA ENTRADA DE AGUA 2	1		
12	90152-05M08	SCREW, COUNTERSUNK PARAFUSO TRAMBULADOR	1		
13	90185-05002	NUT, NYLON PORCA AUTOTRAVANTE	1		
14	6CE-45224-00	COVER, WATER INLET 3 TAMPA DA ENTRADA DE AGUA 3	1		
15	6CE-45225-00	COVER, WATER INLET 4 TAMPA DA ENTRADA DE AGUA 4	1		
16	90185-05002	.NUT, NYLON .PORCA AUTOTRAVANTE	1		
17	90110-05039	BOLT, HEXAGON SOCKET HEAD PARAFUSO HEXAGONAL INTERNO	1		
18	61A-45371-00	TAB-TRIM ESTABILIZADOR DE DIRECAO	1		
19	90105-10M00	BOLT, FLANGE PARAFUSO FLANGE	1		
20	6D0-44367-00	DAMPER, WATER SEAL 3 AMORTIZADOR DE BORRACHA 3	1		
21	6D0-44362-01	TUBE, WATER 2 TUBO DE AGUA 2	1		
22	6D0-44365-00	DAMPER, WATER SEAL 1 AMORTIZADOR DE BORRACHA 1	1		
23	6D0-44366-00	DAMPER, WATER SEAL 2 AMORTIZADOR DE BORRACHA 2	1		
24	69J-45987-00	SPACER 1 ESPACADOR 1	1		
25	688-45997-01	SPACER 2 ESPACADOR 2	1		
26	92990-18200	WASHER ARRUELA	1		
27	90171-18M04	NUT, CASTLE PORCA CASTELO	1		

FIG. 33 LOWER CASING & DRIVE 2

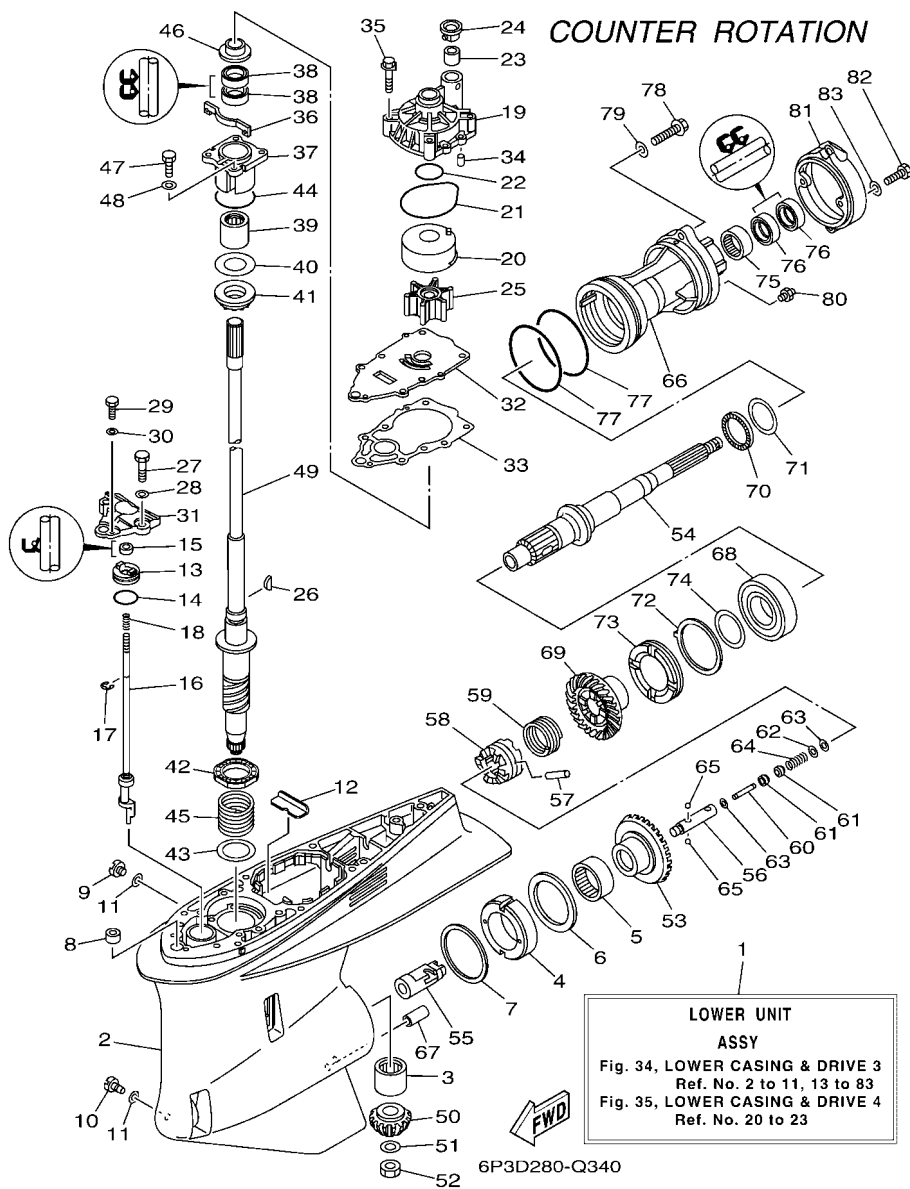
CARCACA INF. E TRANSMISSAO 2



REF. NO.	PART NO. No. PEÇA	DESCRIPTION DESCRIÇÃO	6P2D	6P3D	REMARKS OBSERVAÇÕES
28	91490-40030	PIN. COTTER CONTRAPINO	1		
29	6G5-45970-02	PROPELLER (3X15-1/4"X15"-M) HELICE (3X15-1/4"X15"-M)	1		UR
	6G5-45972-02	PROPELLER (3X13-3/4"X21"-M) HELICE (3X13-3/4"X21"-M)	1		UR
	6G5-45974-03	PROPELLER (3X13-3/4"X19"-M2) HELICE (3X13-3/4"X19"-M2)	1		UR
	6G5-45978-03	PROPELLER (3X13-3/4"X17"-M2) HELICE (3X13-3/4"X17"-M2)	1		UR
	61A-45972-00	PROPELLER (3X14-1/2"X21"-T) HELICE (3X14-1/2"X21"-T)	1		UR
	61A-45974-00	PROPELLER (3X14-1/2"X19"-T) HELICE (3X14-1/2"X19"-T)	1		UR
	61A-45978-00	PROPELLER (3X15"X17"-T) HELICE (3X15"X17"-T)	1		UR
	6R4-45970-A1	PROPELLER (3X15-1/4"X19"-M) HELICE (3X15-1/4"X19"-M)	1		UR
	6R4-45972-A0	PROPELLER (3X14-7/8"X21"-M) HELICE (3X14-7/8"X21"-M)	1		UR
	6R4-45974-A0	PROPELLER (3X14-1/2"X23"-M) HELICE (3X14-1/2"X23"-M)	1		UR
	6R4-45976-A0	PROPELLER (3X14-1/2"X15"-M) HELICE (3X14-1/2"X15"-M)	1		UR
	6R4-45978-A0	PROPELLER (3X15-1/4"X17"-M) HELICE (3X15-1/4"X17"-M)	1		UR
	6D0-45970-00	PROPELLER (3X15-1/4"X19"-T) HELICE (3X15-1/4"X19"-T)	1		UR
	6D0-45972-00	PROPELLER (3X15"X21"-T) HELICE (3X15"X21"-T)	1		UR
	6D0-45978-00	PROPELLER (3X15-1/2"X17"-T) HELICE (3X15-1/2"X17"-T)	1		UR

FIG. 34 LOWER CASING & DRIVE 3

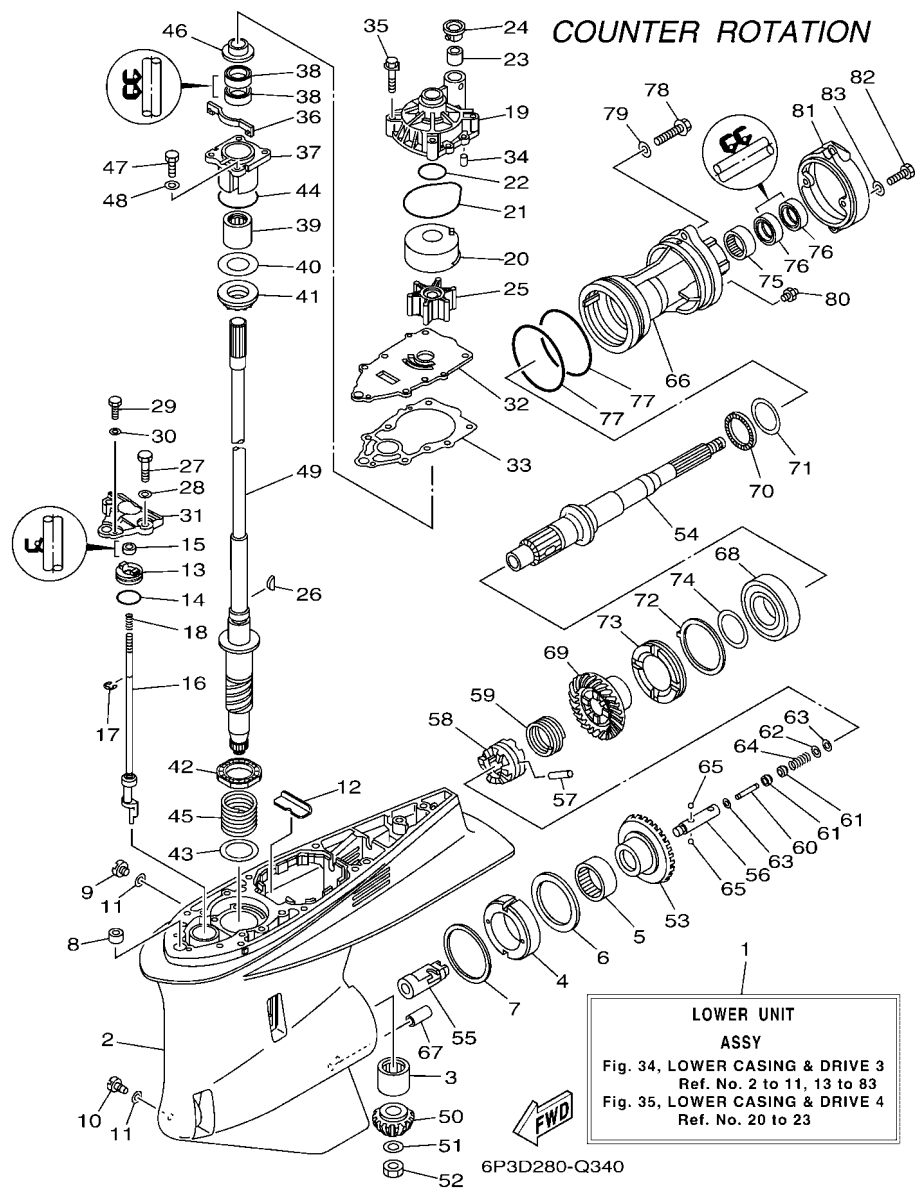
CARCACA INF. E TRANSMISSAO 3



REF. NO.	PART NO. No. PEÇA	DESCRIPTION DESCRIÇÃO	6P2D	6P3D	REMARKS OBSERVAÇÕES
1	6P3-45300-41-8D	LOWER UNIT ASSY UNIDADE DA RABETA INFERIOR CJ.		1	X(25.3"),LH X(25.3"),LH
2	6P2-45301-10-8D	CASING, LOWER RABETA INFERIOR		1	
3	93311-83280	BEARING ROLAMENTO		1	
4	61B-45538-01	SPACER 1 ESPACADOR 1		1	
5	93315-660W3	BEARING ROLAMENTO		1	
6	93341-670V0	BEARING ROLAMENTO		1	
7	61A-45567-00	SHIM (T:0.10MM) ARRUELA CALCO (T:0.10MM)		1	UR
	61A-45567-10	SHIM (T:0.12MM) ARRUELA CALCO (T:0.12MM)		1	UR
	61A-45567-20	SHIM (T:0.15MM) ARRUELA CALCO (T:0.15MM)		1	UR
	61A-45567-30	SHIM (T:0.18MM) ARRUELA CALCO (T:0.18MM)		1	UR
	61A-45567-40	SHIM (T:0.30MM) ARRUELA CALCO (T:0.30MM)		1	UR
	61A-45567-50	SHIM (T:0.40MM) ARRUELA CALCO (T:0.40MM)		1	UR
	61A-45567-60	SHIM (T:0.50MM) ARRUELA CALCO (T:0.50MM)		1	UR
8	663-44366-00	DAMPER, WATER SEAL 2 AMORTIZADOR DE BORRACHA 2		1	
9	90340-08002	PLUG, STRAIGHT SCREW TAMPAO DO DRENO		1	
10	688-45341-10	PLUG, DRAIN TAMPAO DE ESGOTO		1	
11	90430-08003	GASKET GAXETA		2	
12	61A-45376-00	GUIDE, SEAL DAMPER GUIA DE AMORTIZADOR DE VEDACAO		1	
13	65N-45321-00	PLATE PLACA		1	
14	93210-33M49	O-RING ANEL DE BORRACHA		1	
15	93106-09014	OIL SEAL RETENTOR DE OLEO		1	
16	6P3-44150-00	SHIFT CAM ASSY CAME DE MUDANCA CONJ.		1	
17	99001-08600	CIRCLIP ANEL TRAVA		1	
18	90501-11M10	SPRING, COMPRESSION MOLA DE COMPRESSAO		1	
19	61A-44311-01	HOUSING, WATER PUMP ALOJAMENTO DA BOMBA D'AGUA		1	
20	61A-44322-02	INSERT, CARTRIDGE INSERTO DA BOMBA D'AGUA		1	
21	93210-86M38	O-RING ANEL DE BORRACHA		1	

FIG. 34 LOWER CASING & DRIVE 3

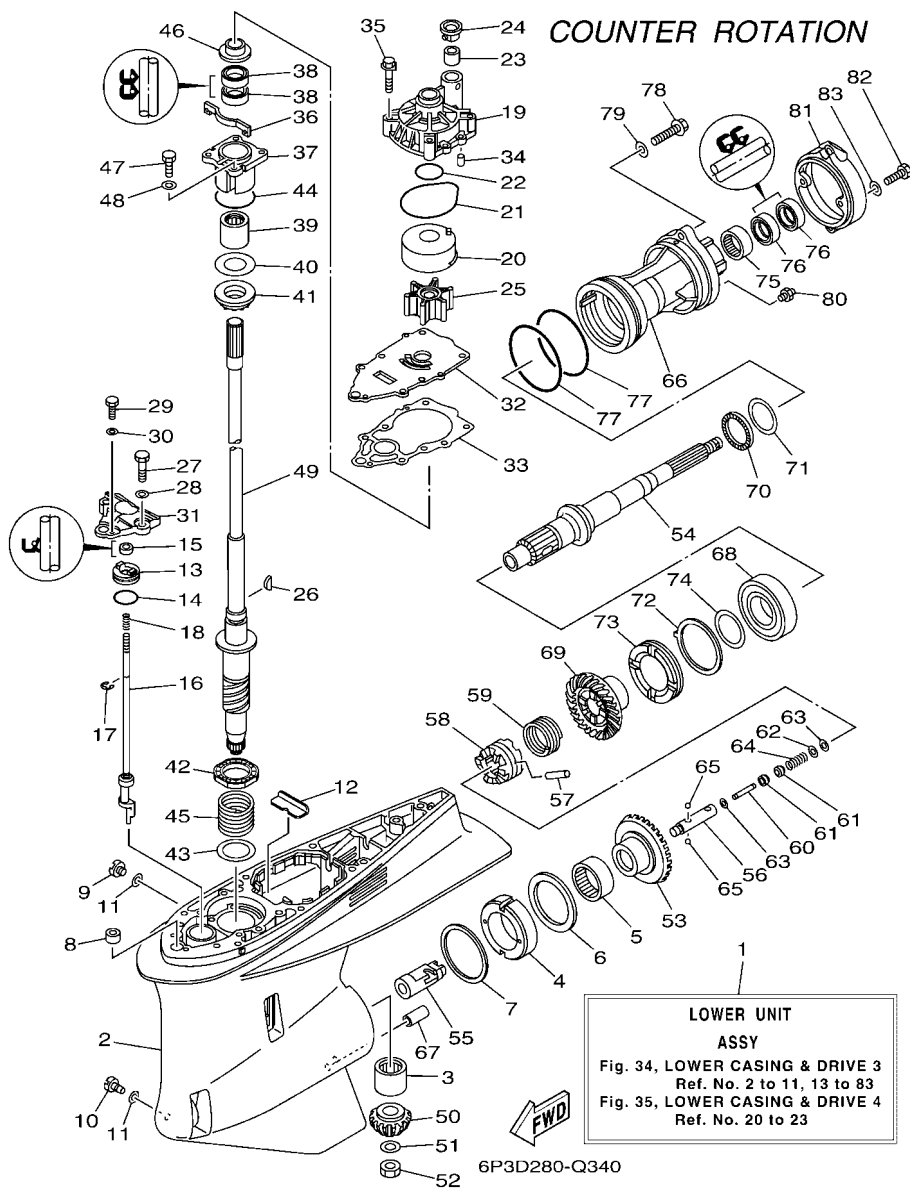
CARCACA INF. E TRANSMISSAO 3



REF. NO.	PART NO. No. PEÇA	DESCRIPTION DESCRIÇÃO	6P2D	6P3D	REMARKS OBSERVAÇÕES
22	93210-37160	O-RING ANEL DE BORRACHA		1	
23	6E5-44365-00	DAMPER, WATER SEAL 1 AMORTIZADOR DE BORRACHA 1		1	
24	6E5-44312-00	COVER, WATER PUMP HOUSING TAMPA DA BOMBA D'AGUA		1	
25	6E5-44352-01	IMPELLER IMPULSOR		1	
26	90280-04M05	KEY, WOODRUFF CHAVETA MEIA LUA		1	
27	97095-08030	BOLT PARAFUSO		2	
28	92995-08600	WASHER ARRUELA		2	
29	97095-06016	BOLT PARAFUSO		1	
30	92995-06600	WASHER ARRUELA		1	
31	60X-44312-00	COVER, WATER PUMP HOUSING TAMPA DA BOMBA D'AGUA		1	
32	6P2-44323-00	OUTER PLATE, CARTRIDGE PLACA DA EXTERNA DA BOMBA		1	
33	60X-44315-A0	GASKET, WATER PUMP GAXETA DA BOMBA D'AGUA		1	
34	93606-12019	PIN, DOWEL PINO GUIA		2	
35	90119-08M14	BOLT, WITH WASHER PARAFUSO COM ARRUELA		4	
36	6P2-45723-00	PLATE, SEAL PLACA DO VEDADOR		1	
37	6P2-45331-00-9S	HOUSING, BEARING ALOJAMENTO DO ROLAMENTO		1	
38	93101-28M16	OIL SEAL RETENTOR DE OLEO		2	
39	93317-330U2	BEARING ROLAMENTO		1	
40	61A-45587-00	SHIM (T:0.10MM) ARRUELA CALCO (T:0.10MM)		1	UR
	61A-45587-10	SHIM (T:0.12MM) ARRUELA CALCO (T:0.12MM)		1	UR
	61A-45587-20	SHIM (T:0.15MM) ARRUELA CALCO (T:0.15MM)		1	UR
	61A-45587-30	SHIM (T:0.18MM) ARRUELA CALCO (T:0.18MM)		1	UR
	61A-45587-40	SHIM (T:0.30MM) ARRUELA CALCO (T:0.30MM)		1	UR
	61A-45587-50	SHIM (T:0.40MM) ARRUELA CALCO (T:0.40MM)		1	UR
	61A-45587-60	SHIM (T:0.50MM) ARRUELA CALCO (T:0.50MM)		1	UR
41	93341-93020	BEARING ROLAMENTO		1	
42	93341-34019	BEARING ROLAMENTO		1	

FIG. 34 LOWER CASING & DRIVE 3

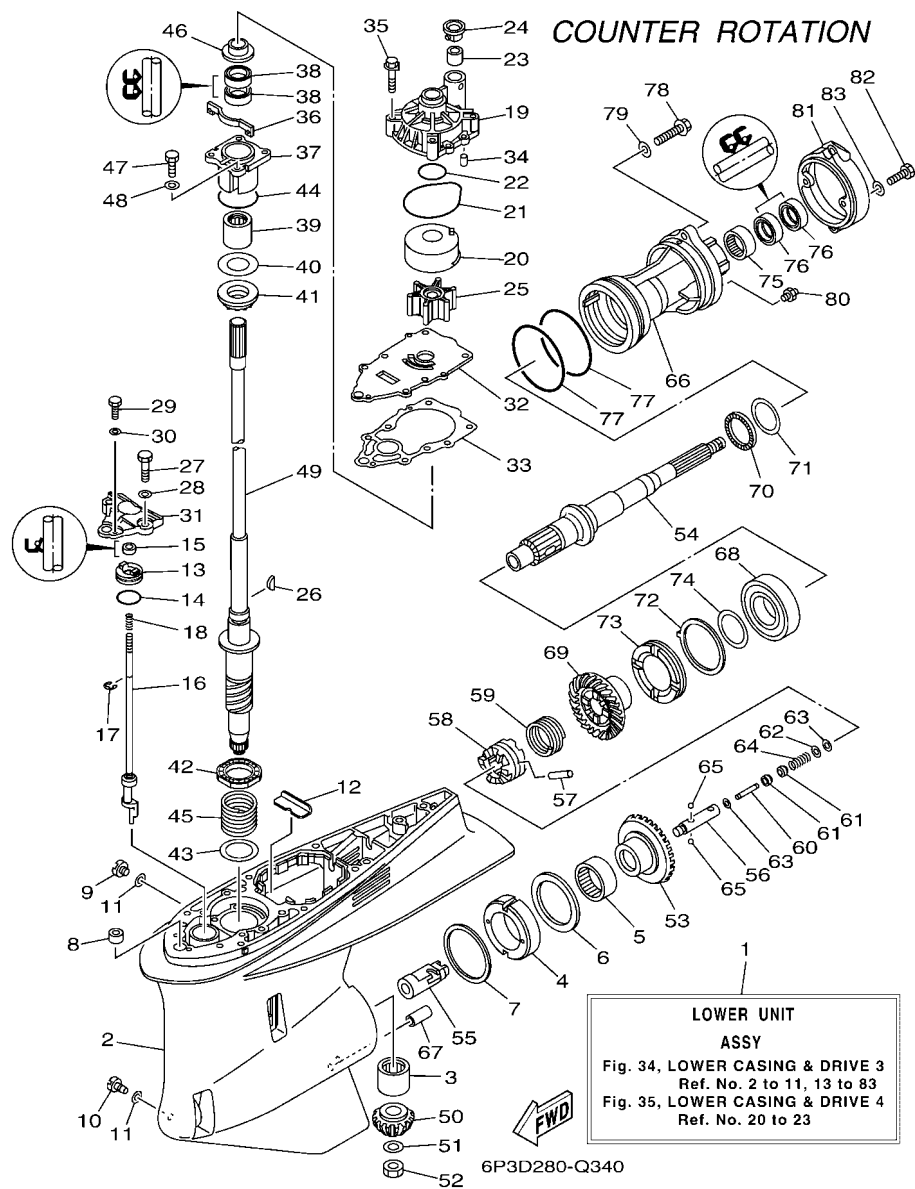
CARCACA INF. E TRANSMISSAO 3



REF. NO.	PART NO. No. PEÇA	DESCRIPTION DESCRIÇÃO	6P2D	6P3D	REMARKS OBSERVAÇÕES
43	90201-42014	WASHER, PLATE ARRUELA PLANA		1	
44	93210-55M14	O-RING ANEL DE BORRACHA		1	
45	90501-450A2	SPRING, COMPRESSION MOLA DE COMPRESSAO		1	
46	6E5-45344-00	COVER, OIL SEAL TAMPA DO RETENTOR DE OLEO		1	
47	97095-08025	BOLT PARAFUSO		4	
48	92995-08600	WASHER ARRUELA		4	
49	6P2-45501-01	DRIVE SHAFT COMP. EIXO DE DIRECIONAL COMPL.		1	X(25.3") X(25.3")
50	6P2-45551-02	PINION (15T) PINHAO (13D)		1	
51	90201-16M00	WASHER, PLATE ARRUELA PLANA		1	
52	90170-16M19	NUT PORCA		1	
53	6P3-45560-00	GEAR 1 (30T) ENGRENAGEM 1 (30D)		1	
54	69K-45611-00	SHAFT, PROPELLER EIXO DA HELICE		1	
55	61B-45641-01	SHIFTER ALTERADOR DE MUDANCA		1	
56	61A-45634-01	SLIDE, SHIFT LAMINA DE MUDANCA		1	
57	61A-45632-00	PIN, CROSS PINO DE ACO		1	
58	69J-45631-00	CLUTCH, DOG ENGATE DA ENGRENAGEM		1	
59	61A-45633-00	RING, CROSS PIN ANEL DE FIXACAO DO PINHAO		1	
60	6H1-45668-00	SHAFT, FREE 1 EIXO DE LIVRE 1		1	
61	61A-45635-00	PLUNGER, SHIFT ACIONADOR DE MUDANCA		2	
62	90201-02M00	WASHER, PLATE ARRUELA PLANA		1	
63	90183-02M03	NUT, SPRING PORCA MOLA		2	
64	90501-10M77	SPRING, COMPRESSION MOLA DE COMPRESSAO		1	
65	93501-04011	BALL ESFERA		2	
66	6D1-45332-00-CA	HOUSING, BEARING ALOJAMENTO DO ROLAMENTO		1	
67	99590-10114	PIN, DOWEL PINO GUIA		1	
68	93332-00048	BEARING ROLAMENTO		1	
69	6P3-45571-01	GEAR 2 (30T) ENGRENAGEM FRONTAL 2 (30D)		1	

FIG. 34 LOWER CASING & DRIVE 3

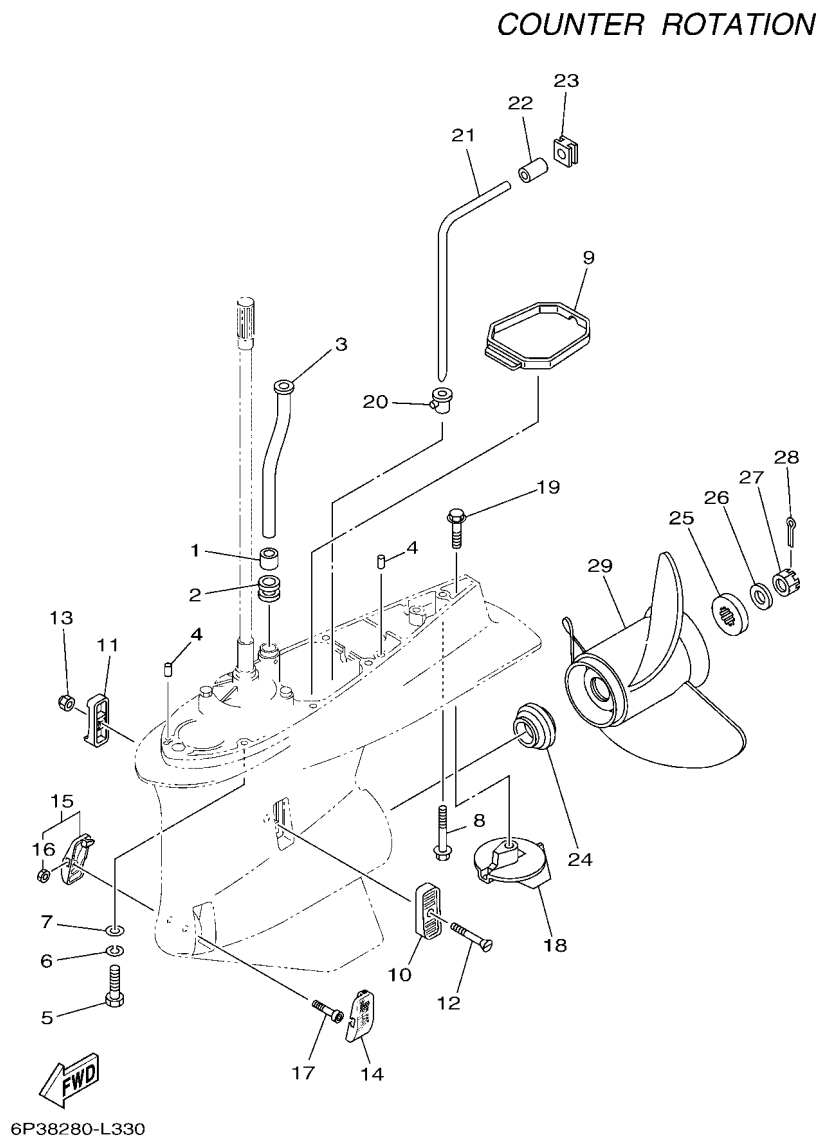
CARCACA INF. E TRANSMISSAO 3



REF. NO.	PART NO. No. PEÇA	DESCRIPTION DESCRIÇÃO	6P2D	6P3D	REMARKS OBSERVAÇÕES
70	93341-440U5	BEARING ROLAMENTO		1	
71	6K1-45578-01	SHIM (T:0.10MM) ARRUELA CALCO (T:0.10MM)		1	UR
	6K1-45578-10	SHIM (T:0.12MM) ARRUELA CALCO (T:0.12MM)		1	UR
	6K1-45578-20	SHIM (T:0.15MM) ARRUELA CALCO (T:0.15MM)		1	UR
	6K1-45578-30	SHIM (T:0.18MM) ARRUELA CALCO (T:0.18MM)		1	UR
	6K1-45578-40	SHIM (T:0.30MM) ARRUELA CALCO (T:0.30MM)		1	UR
	6K1-45578-50	SHIM (T:0.40MM) ARRUELA CALCO (T:0.40MM)		1	UR
	6K1-45578-60	SHIM (T:0.50MM) ARRUELA CALCO (T:0.50MM)		1	UR
72	61B-45383-00	WASHER, CLAW ARRUELA		1	
73	69K-45384-00	NUT PORCA		1	
74	69K-45577-00	SHIM (T:0.10MM) ARRUELA CALCO (T:0.10MM)		1	UR
	69K-45577-10	SHIM (T:0.12MM) ARRUELA CALCO (T:0.12MM)		1	UR
	69K-45577-20	SHIM (T:0.15MM) ARRUELA CALCO (T:0.15MM)		1	UR
	69K-45577-30	SHIM (T:0.18MM) ARRUELA CALCO (T:0.18MM)		1	UR
	69K-45577-40	SHIM (T:0.30MM) ARRUELA CALCO (T:0.30MM)		1	UR
	69K-45577-50	SHIM (T:0.40MM) ARRUELA CALCO (T:0.40MM)		1	UR
	69K-45577-60	SHIM (T:0.50MM) ARRUELA CALCO (T:0.50MM)		1	UR
75	93315-43064	BEARING ROLAMENTO		1	
76	93101-30002	OIL SEAL RETENTOR DE OLEO		2	
77	93211-04384	O-RING ANEL DE BORRACHA		2	
78	90105-08049	BOLT, FLANGE PARAFUSO FLANGE		2	
79	90201-08023	WASHER, PLATE ARRUELA PLANA		2	
80	93700-09M00	NIPPLE, GREASE NIPLE DE GRAXA		1	
81	6D0-45361-00-8D	CAP, LOWER CASING CAPA DA RABETA INFERIOR		1	
82	97095-08020	BOLT PARAFUSO		2	
83	92995-08600	WASHER ARRUELA		2	

FIG. 35 LOWER CASING & DRIVE 4

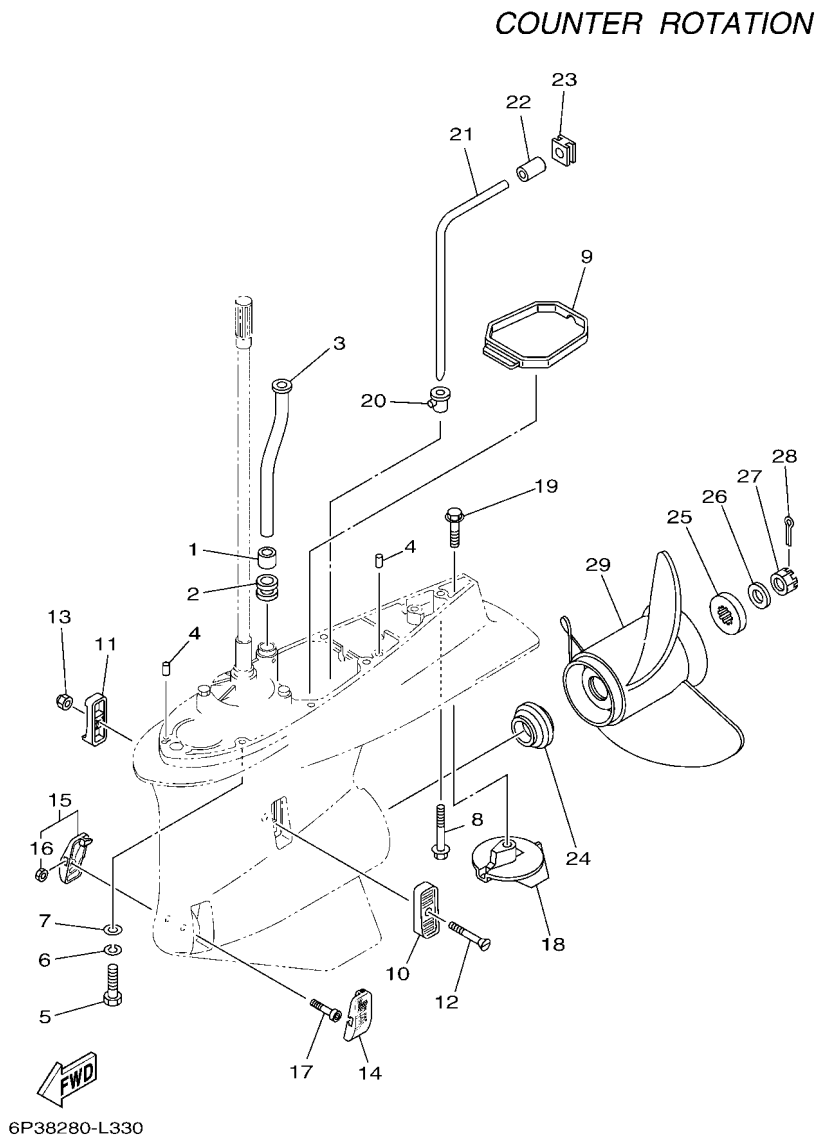
CARCACA INF. E TRANSMISSAO 4



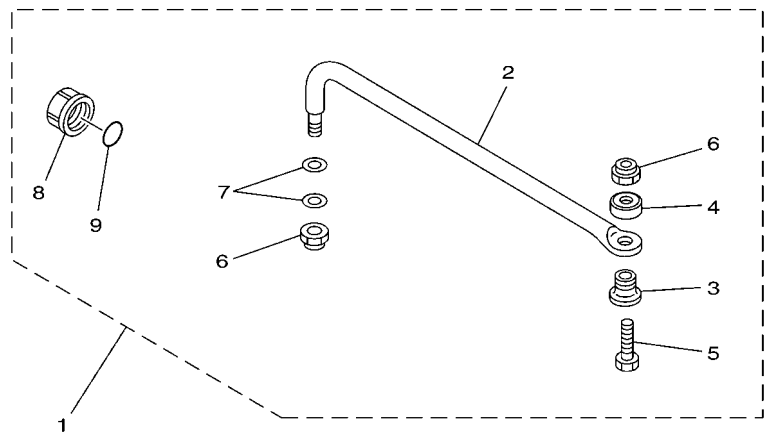
REF. NO.	PART NO. No. PEÇA	DESCRIPTION DESCRIÇÃO	6P2D	6P3D	REMARKS OBSERVAÇÕES
1	6E5-44365-00	DAMPER, WATER SEAL 1 AMORTIZADOR DE BORRACHA 1		1	
2	6E5-44366-00	DAMPER, WATER SEAL 2 AMORTIZADOR DE BORRACHA 2		1	
3	6S1-44361-02	TUBE, WATER 1 TUBO DE AGUA 1		1	X(25.3") X(25.3")
4	93608-12M05	PIN, DOWEL PINO		2	
5	97095-10045	BOLT PARAFUSO		7	X(25.3") X(25.3")
6	92995-10100	WASHER ARRUELA		7	X(25.3") X(25.3")
7	92995-10600	WASHER ARRUELA		7	X(25.3") X(25.3")
8	90119-10MA2	BOLT, WITH WASHER PARAFUSO COM ARRUELA		1	X(25.3") X(25.3")
9	6D0-45375-01	DAMPER, SEAL AMORTIZADOR DE VEDACAO		1	
10	6P2-45214-00	COVER, WATER INLET 1 TAMPA DA ENTRADA DE AGUA 1		1	
11	6P2-45215-00	COVER, WATER INLET 2 TAMPA DA ENTRADA DE AGUA 2		1	
12	90152-05M08	SCREW, COUNTERSUNK PARAFUSO TRAMBULADOR		1	
13	90185-05002	NUT, NYLON PORCA AUTOTRAVANTE		1	
14	6CE-45224-00	COVER, WATER INLET 3 TAMPA DA ENTRADA DE AGUA 3		1	
15	6CE-45225-00	COVER, WATER INLET 4 TAMPA DA ENTRADA DE AGUA 4		1	
16	90185-05002	.NUT, NYLON .PORCA AUTOTRAVANTE		1	
17	90110-05039	BOLT, HEXAGON SOCKET HEAD PARAFUSO HEXAGONAL INTERNO		1	
18	61A-45371-00	TAB-TRIM ESTABILIZADOR DE DIRECAO		1	
19	90105-10M00	BOLT, FLANGE PARAFUSO FLANGE		1	
20	6D0-44367-00	DAMPER, WATER SEAL 3 AMORTIZADOR DE BORRACHA 3		1	
21	6D0-44362-01	TUBE, WATER 2 TUBO DE AGUA 2		1	
22	6D0-44365-00	DAMPER, WATER SEAL 1 AMORTIZADOR DE BORRACHA 1		1	
23	6D0-44366-00	DAMPER, WATER SEAL 2 AMORTIZADOR DE BORRACHA 2		1	
24	69J-45987-00	SPACER 1 ESPACADOR 1		1	
25	688-45997-01	SPACER 2 ESPACADOR 2		1	
26	92990-18200	WASHER ARRUELA		1	
27	90171-18M04	NUT, CASTLE PORCA CASTELO		1	

FIG. 35 LOWER CASING & DRIVE 4

CARCACA INF. E TRANSMISSAO 4



REF. NO.	PART NO. No. PEÇA	DESCRIPTION DESCRIÇÃO	6P2D	6P3D	REMARKS OBSERVAÇÕES
28	91490-40030	PIN. COTTER CONTRAPINO		1	
29	6K1-45970-01	PROPELLER (3X15-1/4"X15"-ML) HELICE (3X15-1/4"X15"-ML)		1	UR
	6K1-45972-01	PROPELLER (3X13-3/4"X21"-ML) HELICE (3X13-3/4"X21"-ML)		1	UR
	6K1-45974-02	PROPELLER (3X13-3/4"X19"-ML1) HELICE (3X13-3/4"X19"-ML1)		1	UR
	6K1-45978-02	PROPELLER (3X13-3/4"X17"-ML1) HELICE (3X13-3/4"X17"-ML1)		1	UR
	61B-45972-00	PROPELLER (3X14-1/2"X21"-TL) HELICE (3X14-1/2"X21"-TL)		1	UR
	61B-45974-00	PROPELLER (3X14-1/2"X19"-TL) HELICE (3X14-1/2"X19"-TL)		1	UR
	61B-45978-00	PROPELLER (3X15"X17"-TL) HELICE (3X15"X17"-TL)		1	UR
	6R1-45970-A1	PROPELLER (3X15-1/4"X19"-ML) HELICE (3X15-1/4"X19"-ML)		1	UR
	6R1-45972-A0	PROPELLER (3X14-7/8"X21"-ML) HELICE (3X14-7/8"X21"-ML)		1	UR
	6R1-45974-A0	PROPELLER (3X14-1/2"X23"-ML) HELICE (3X14-1/2"X23"-ML)		1	UR
	6R1-45976-A0	PROPELLER (3X15-1/4"X15"-ML) HELICE (3X15-1/4"X15"-ML)		1	UR
	6R1-45978-A0	PROPELLER (3X15-1/4"X17"-ML) HELICE (3X15-1/4"X17"-ML)		1	UR
	6D1-45970-00	PROPELLER (3X15-1/4"X19"-TL) HELICE (3X15-1/4"X19"-TL)		1	UR
	6D1-45972-00	PROPELLER (3X15"X21"-TL) HELICE (3X15"X21"-TL)		1	UR
	6D1-45978-00	PROPELLER (3X15-1/2"X17"-TL) HELICE (3X15-1/2"X17"-TL)		1	UR

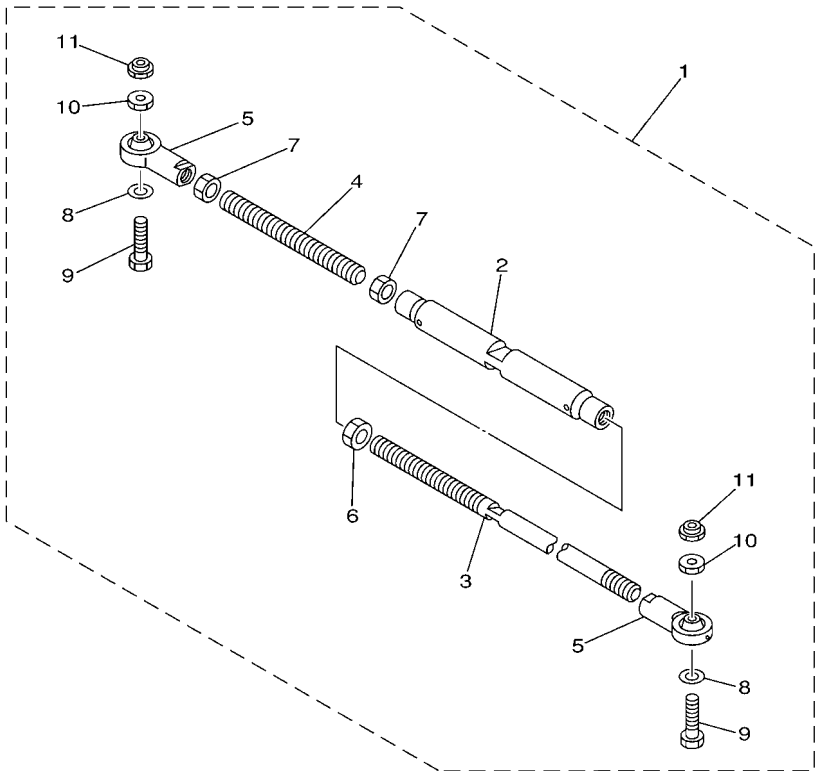


67H0100-9290

FIG. 36 STEERING GUIDE ATTACHMENT 1

HASTE DE DIRECAO 1

REF. NO.	PART NO. No. PEÇA	DESCRIPTION DESCRIÇÃO	6P2D	6P3D	REMARKS OBSERVAÇÕES
1	6E5-61350-02	STEERING GUIDE ATTACHMENT KIT KIT DA GUIA DO DIRECIONADOR	1		
2	6E5-61351-01	.ROD, STEERING LINK .HASTE DA DIRECAO	1		
3	90387-10M61	.COLLAR .ESPACADOR	1		
4	90560-12M01	.SPACER .ESPACADOR	1		
5	6E5-61355-00	.BOLT .PARAFUSO	1		
6	90185-09M01	.NUT, SELF-LOCKING .PORCA AUTOTRAVANTE	2		
7	90201-10M20	.WASHER, PLATE .ARRUELA PLANA	2		
8	6E5-43145-01	.CAP, CLAMP BRACKET .CAPA DA PORCA DA VARETA	1		
9	93210-16275	.O-RING .ANEL DE BORRACHA	1		



67H0100-0300

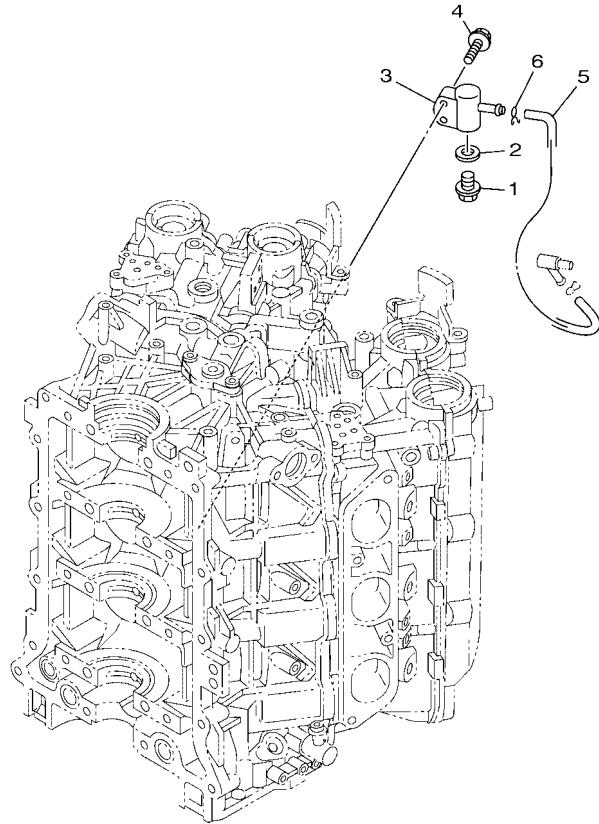
FIG. 37 STEERING GUIDE ATTACHMENT 2

HASTE DE DIRECAO 2

REF. NO.	PART NO. No. PEÇA	DESCRIPTION DESCRIÇÃO	6P2D	6P3D	REMARKS OBSERVAÇÕES
1	6E5-61301-01	TWIN KIT (L:600-800MM) JUNCAO DUPLA (L:600-800MM)		1	
2	6E5-61313-00	.ADJUSTER .AJUSTADOR		1	
3	6E5-61311-11	.TIE BAR .BARRA SEPARADORA		1	
4	6E5-61315-00	.TIE BAR .BARRA SEPARADORA		1	
5	6E5-61303-00	.STEERING AXLE COMP. .EIXO DO DIRECIONADOR COMP.		2	
6	90170-14M06	.NUT .PORCA		1	
7	95380-14700	.NUT .PORCA		2	
8	90201-10M76	.WASHER, PLATE .ARRUELA PLANA		2	
9	90101-09M70	.BOLT .PARAFUSO		2	
10	90170-09M05	.NUT .PORCA		2	
11	90185-09M01	.NUT, SELF-LOCKING .PORCA AUTOTRAVANTE		2	

FIG. 38 OPTIONAL PARTS

PECAS OPCIONAIS

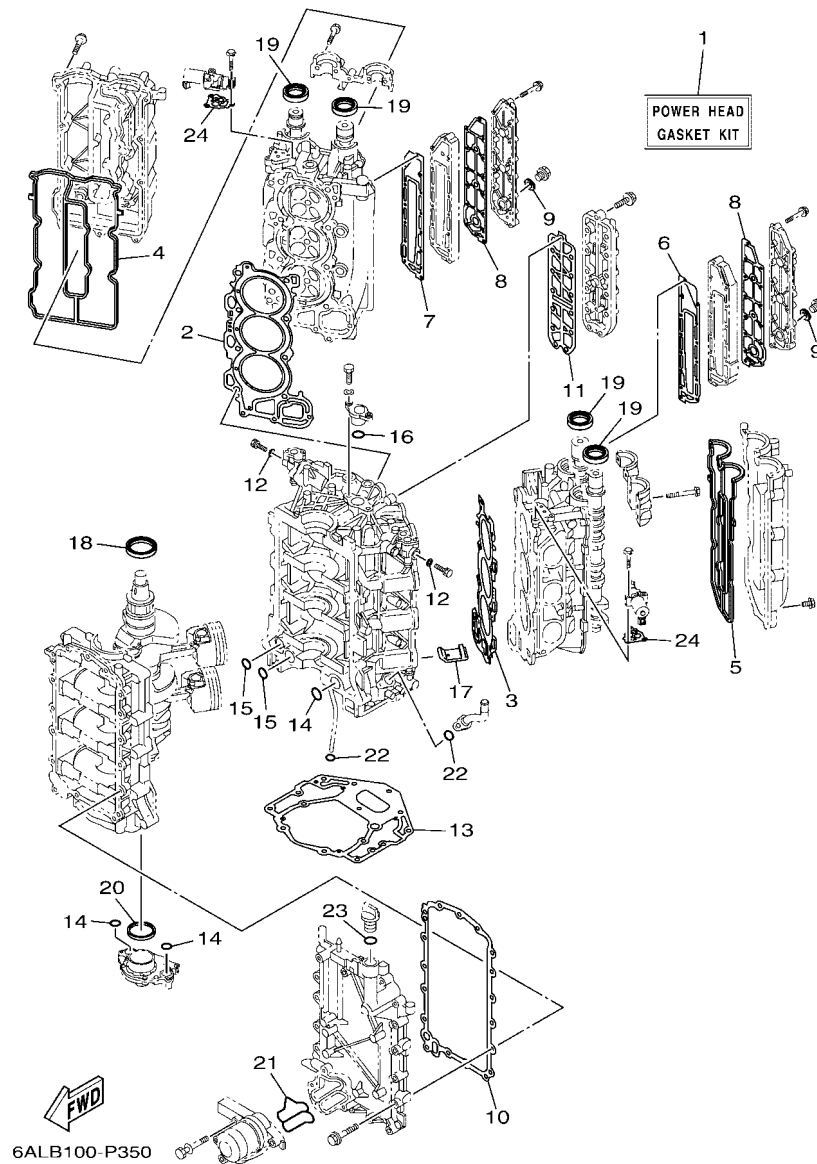


REF. NO.	PART NO. No. PEÇA	DESCRIPTION DESCRIÇÃO	6P2D	6P3D	REMARKS OBSERVAÇÕES
1	90340-14M06	PLUG, STRAIGHT SCREW TAMPAO DO DRENO	1	1	
2	90430-14115	GASKET GAXETA	1	1	
3	6P2-83652-00	CONNECTOR CONECTOR	1	1	
4	97595-06530	BOLT, WITH WASHER PARAFUSO COM ARRUELA	2	2	
5	6H4-24311-00	PIPE, FUEL 1 TUBO DE COMBUSTIVEL 1	1	1	
6	90467-08M18	CLIP PRESILHA	1	1	

 6ALB100-P340

FIG. 39 REPAIR KIT 1

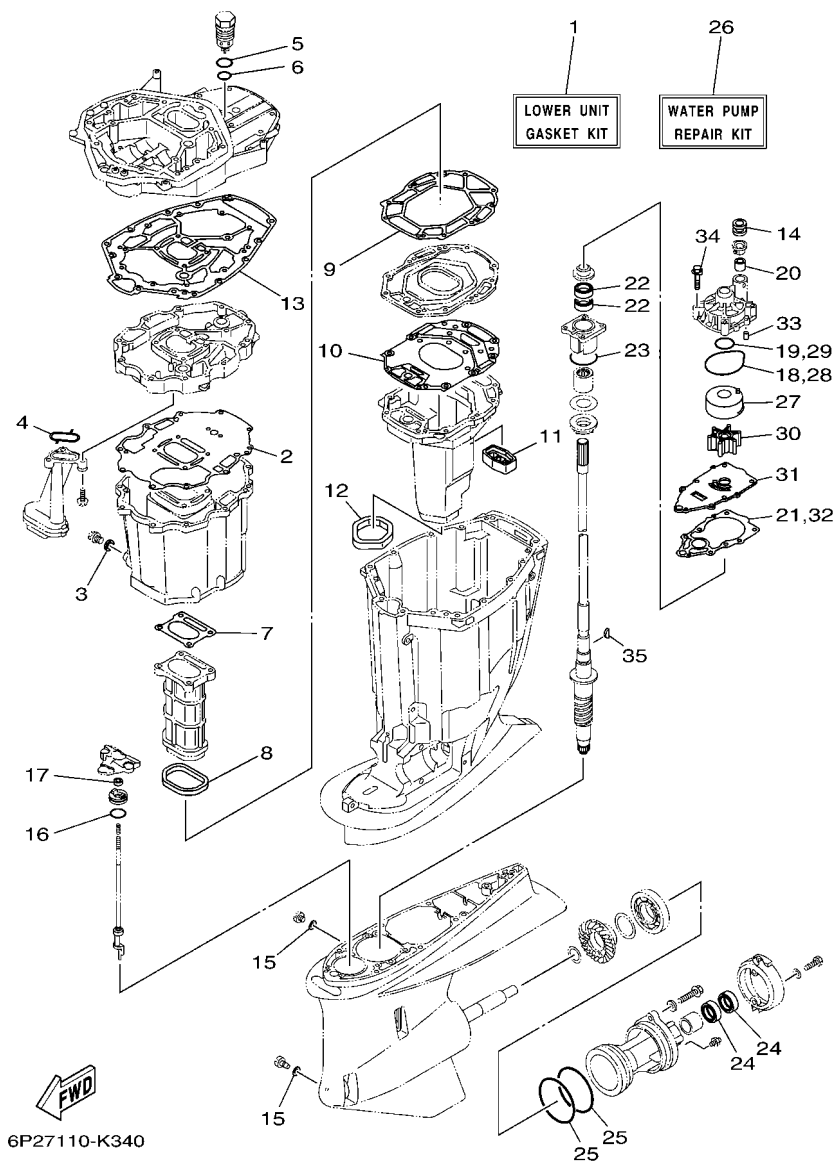
KIT DE REPARO 1



REF. NO.	PART NO. No. PEÇA	DESCRIPTION DESCRIÇÃO	6P2D	6P3D	REMARKS OBSERVAÇÕES
1	6P2-W0001-03	POWER HEAD GASKET KIT KIT DE GAXETAS DO CABECOTE	1	1	
2	6P2-11181-00	.GASKET, CYLINDER HEAD 1 .GAXETA, CABECOTE DO CILINDRO 1	1	1	
3	6P2-11182-00	.GASKET, CYLINDER HEAD 2 .GAXETA CABECOTE DO CILINDRO 2	1	1	
4	6P2-11193-00	.GASKET, HEAD COVER 1 .GAXETA DA TAMPA DO CABECOTE 1	1	1	
5	6P2-11194-00	.GASKET, HEAD COVER 2 .GAXETA DO CABECOTE DO CILINDRO	1	1	
6	6P2-41112-00	.GASKET, EXHAUST INNER COVER .GAXETA TAMPA INTERNA DO ESCAPE	1	1	
7	6P2-41122-00	.GASKET, EXHAUST INNER COVER .GAXETA TAMPA INTERNA DO ESCAPE	1	1	
8	6P2-41114-00	.GASKET, EXHAUST OUTER COVER .GAXETA TAMPA EXTERNA DO ESCAPE	2	2	
9	90201-186F1	.WASHER, PLATE .ARRUELA PLANA	2	2	
10	69J-15451-00	.GASKET, CRANKCASE COVER 1 .GAXETA DA TAMPA DA CARCACA 1	1	1	
11	6P2-1131B-00	.GASKET, COVER .GAXETA DA TAMPA	1	1	
12	90430-05002	.GASKET .GAXETA	2	2	
13	69J-11351-11	.GASKET, CYLINDER .GAXETA DO CILINDRO	1	1	
14	93210-25552	.O-RING .ANEL DE BORRACHA	3	3	
15	93210-19MJ1	.O-RING .ANEL DE BORRACHA	2	2	
16	93210-25647	.O-RING .ANEL DE BORRACHA	1	1	
17	69J-14664-00	.GROMMET, WATER SHUT .ILHO	2	2	
18	93102-63004	.OIL SEAL .RETENTOR DE OLEO	1	1	
19	93102-38008	.OIL SEAL .RETENTOR DE OLEO	4	4	
20	69J-11355-00	.SEAL, CYLINDER 1 .VEDACAO DO CILINDRO 1	1	1	
21	6P2-13477-00	.GASKET .GAXETA	1	1	
22	93210-19MJ3	.O-RING .ANEL DE BORRACHA	2	2	
23	93210-24M79	.O-RING .ANEL DE BORRACHA	1	1	
24	6CB-1242F-00	.GASKET, FILTER .GAXETA DO FILTRO	2	2	

FIG. 40 REPAIR KIT 2

KIT DE REPARO 2



6P27110-K340

REF. NO.	PART NO. No. PEÇA	DESCRIPTION DESCRIÇÃO	6P2D	6P3D	REMARKS OBSERVAÇÕES
1	6P2-W0001-30	LOWER UNIT GASKET KIT KIT DE GAXETAS UNIDADE INF.	1	1	
2	69J-15312-01	.GASKET, OIL PAN .GAXETA DA CAPA DO OLEO	1	1	
3	90430-14M09	.GASKET .GAXETA	1	1	
4	69J-13415-00	.SEAL, OIL STRAINER .VEDACAO DO FILTRADOR DE OLEO	1	1	
5	93210-347A1	.O-RING .ANEL DE BORRACHA	1	1	
6	93210-28543	.O-RING .ANEL DE BORRACHA	1	1	
7	6P2-41134-00	.GASKET, EXHAUST MANIFOLD .GAXETA DO MULTIPLO DE ESCAPE	1	1	
8	69J-41138-00	.SEAL, EXT. 1 .VEDACAO DO ESCAPE 1	1	1	
9	69J-41135-A0	.GASKET, EXHAUST MANIFOLD .GAXETA DO MULTIPLO DE ESCAPE	1	1	
10	6S1-41136-00	.GASKET, EXHAUST MANIFOLD 4 .GAXETA DO MULTIPLO DE ESCAPE 4	1	1	
11	69J-45127-00	.SEAL .RETENTOR DE BORRACHA	1	1	
12	69J-45123-00	.GASKET, MUFFLER .GAXETA DO SILENCIADOR	1	1	
13	69J-45113-20	.GASKET, UPPER CASING .GAXETA DA CAIXA SUPERIOR	1	1	
14	6E5-44366-00	.DAMPER, WATER SEAL 2 .AMORTIZADOR DE BORRACHA 2	1	1	
15	90430-08003	.GASKET .GAXETA	2	2	
16	93210-33M49	.O-RING .ANEL DE BORRACHA	1	1	
17	93106-09014	.OIL SEAL .RETENTOR DE OLEO	1	1	
18	93210-86M38	.O-RING .ANEL DE BORRACHA	1	1	
19	93210-37160	.O-RING .ANEL DE BORRACHA	1	1	
20	6E5-44365-00	.DAMPER, WATER SEAL 1 .AMORTIZADOR DE BORRACHA 1	1	1	
21	60X-44315-A0	.GASKET, WATER PUMP .GAXETA DA BOMBA D'AGUA	1	1	
22	93101-28M16	.OIL SEAL .RETENTOR DE OLEO	2	2	
23	93210-55M14	.O-RING .ANEL DE BORRACHA	1	1	
24	93101-30002	.OIL SEAL .RETENTOR DE OLEO	2	2	
25	93211-04384	.O-RING .ANEL DE BORRACHA	2	2	
26	6P2-W0078-00	WATER PUMP REPAIR KIT JOGO DE REPARO DA BOMBA D'AGUA	1	1	
27	61A-44322-02	.INSERT, CARTRIDGE .INSERTO DA BOMBA D'AGUA	1	1	

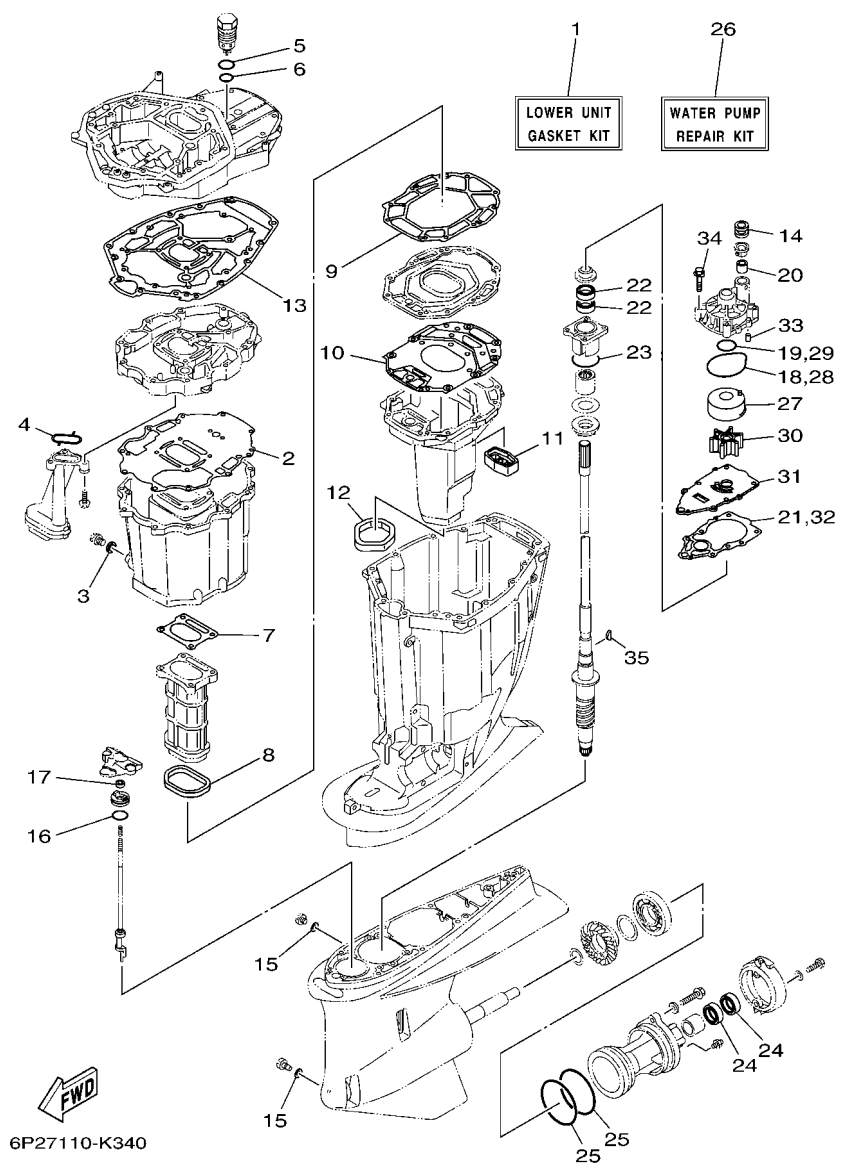


FIG. 40 REPAIR KIT 2

KIT DE REPARO 2

REF. NO.	PART NO. No. PEÇA	DESCRIPTION DESCRIÇÃO	6P2D	6P3D	REMARKS OBSERVAÇÕES
28	93210-86M38	.O-RING .ANEL DE BORRACHA	1	1	
29	93210-37160	.O-RING .ANEL DE BORRACHA	1	1	
30	6E5-44352-01	.IMPELLER .IMPULSOR	1	1	
31	6P2-44323-00	.OUTER PLATE, CARTRIDGE .PLACA DA EXTERNA DA BOMBA	1	1	
32	60X-44315-A0	.GASKET, WATER PUMP .GAXETA DA BOMBA D'AGUA	1	1	
33	93606-12019	.PIN, DOWEL .PINO GUIA	2	2	
34	90119-08M14	.BOLT, WITH WASHER .PARAFUSO COM ARRUELA	4	4	
35	90280-04M05	.KEY, WOODRUFF .CHAVETA MEIA LUA	1	1	